



偉昌電子科技有限公司

TRN EELTRONTC.TECHNOLOGY.CO.,LTD



Company History

TRN Tech Electronic Industrial Co., Ltd. was established in Taipei, Taiwan in 1984.

We supply series of products related to electronic components and computer parts. Our main products are connectors and terminals. Being a leading manufacturer in this field for over 25 years, our capabilities include tooling design, metal compression and plastic injection.



INDEX

A. Wire to board connectors

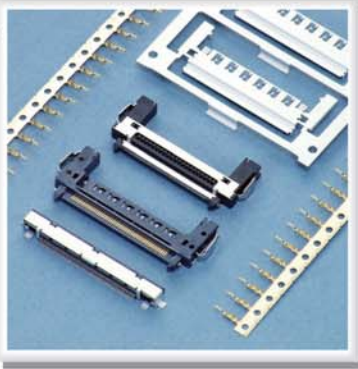
A0400 SERIES

PITCH : 0.40mm PAGE : 1~4



A0505 SERIES

PITCH : 0.50mm PAGE : 5~8



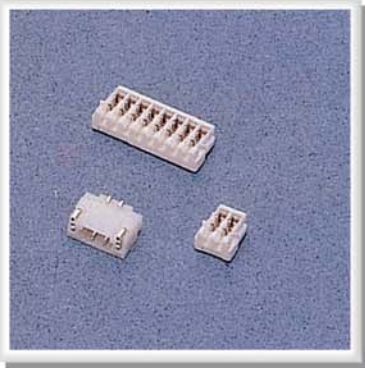
A0601 SERIES

PITCH : 0.60mm PAGE : 9~10



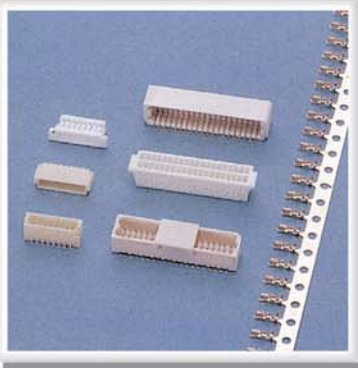
A0800 SERIES

PITCH : 0.80mm PAGE : 11~13



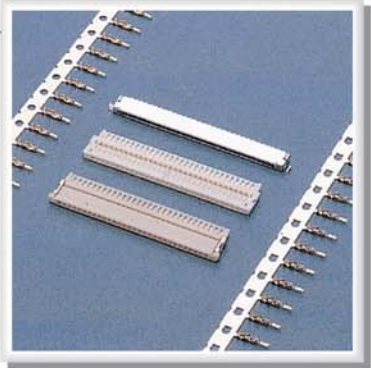
A1001 SERIES

PITCH : 1.00mm PAGE : 14~20



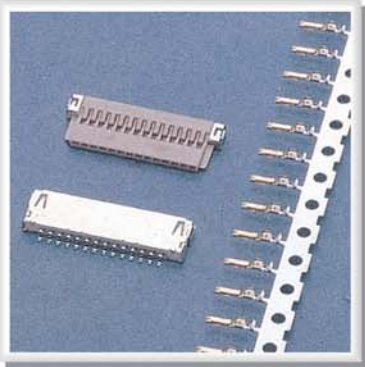
A1006 SERIES

PITCH : 1.00mm PAGE : 21~23



A1007 SERIES

PITCH : 1.00mm PAGE : 24~26



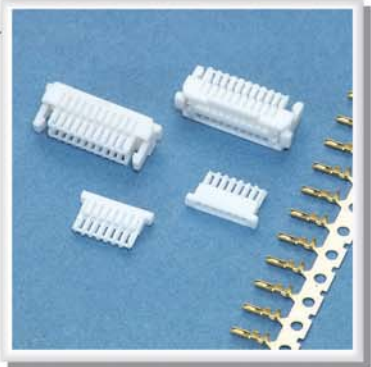
A1008 SERIES

PITCH : 1.00mm PAGE : 27~28



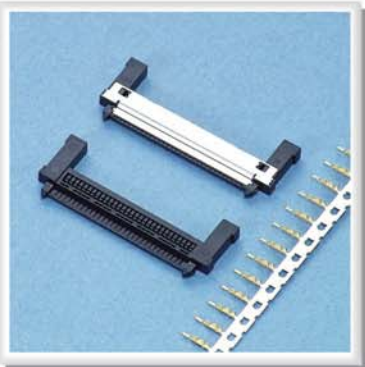
A1009 SERIES

PITCH : 1.00mm PAGE : 29~31



A1011 SERIES

PITCH : 1.00mm PAGE : 32~33



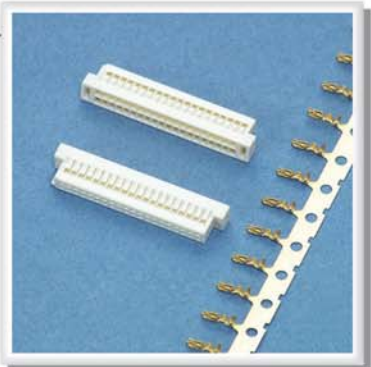
A1012 SERIES

PITCH : 1.00mm PAGE : 34~35



A1013 SERIES

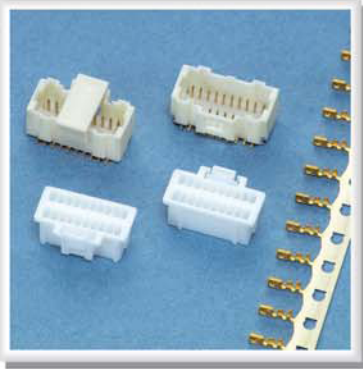
PITCH : 1.00mm PAGE : 36~38



A. Wire to board connectors

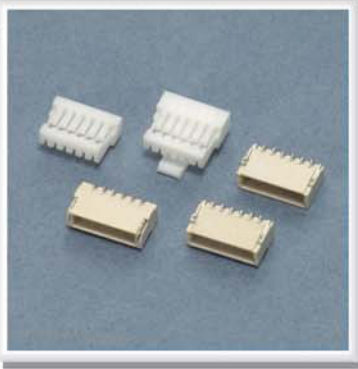
A1014 SERIES

PITCH : 1.00mm PAGE : 39~42



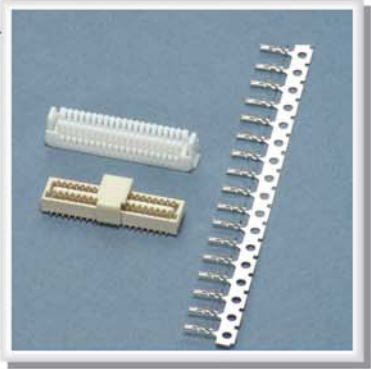
A1024 SERIES

PITCH : 1.00mm PAGE : 43~47



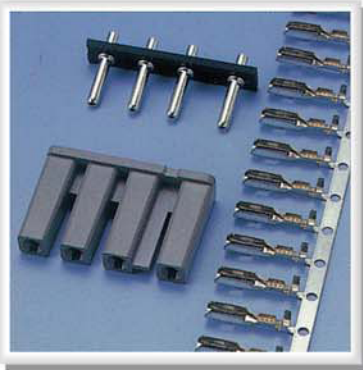
A1026 SERIES

PITCH : 1.00mm PAGE : 48~50



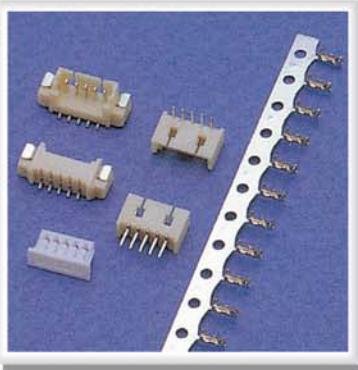
A1080 SERIES

PITCH : 10.00~8.00mm PAGE : 51~53



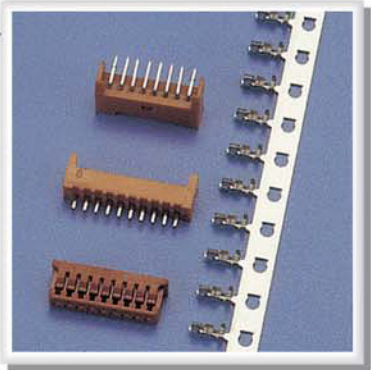
A1250 SERIES

PITCH : 1.25mm PAGE : 54~58



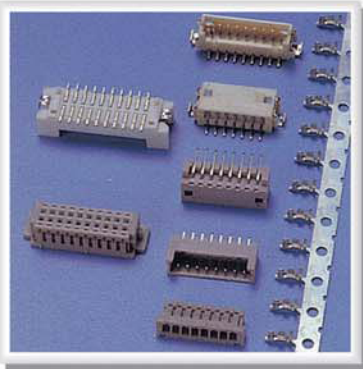
A1251 SERIES

PITCH : 1.25mm PAGE : 59~61



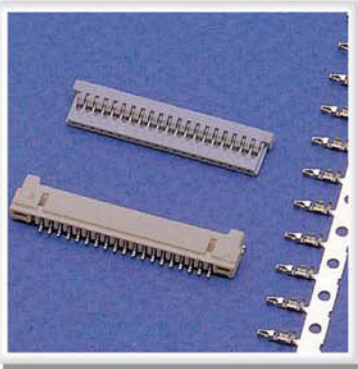
A1252 SERIES

PITCH : 1.25mm PAGE : 62~68



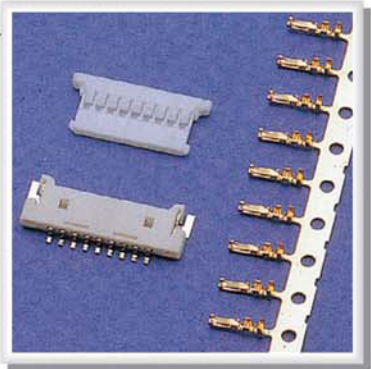
A1253 SERIES

PITCH : 1.25mm PAGE : 69~73



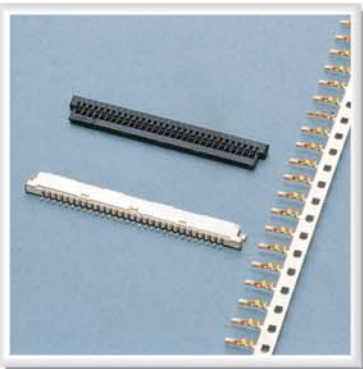
A1254 SERIES

PITCH : 1.25mm PAGE : 74~76



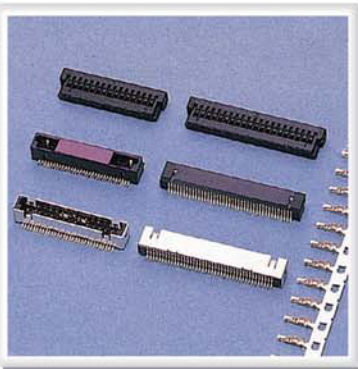
A1255 SERIES

PITCH : 1.25mm PAGE : 77~80



A1256 SERIES

PITCH : 1.25mm PAGE : 81~85



A1271 SERIES

PITCH : 1.27mm PAGE : 86~89



INDEX

A. Wire to board connectors

A1272 SERIES

PITCH : 1.27mm PAGE : 90~93



A1273 SERIES

PITCH : 1.27mm PAGE : 94~97



A1274 SERIES

PITCH : 1.27mm PAGE : 98~101



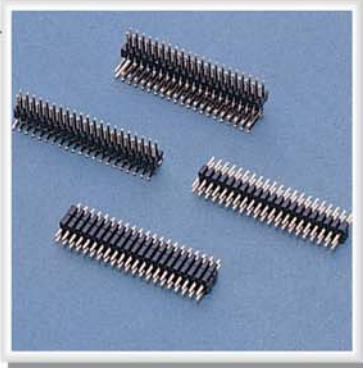
A1275 SERIES

PITCH : 1.27mm PAGE : 102~105



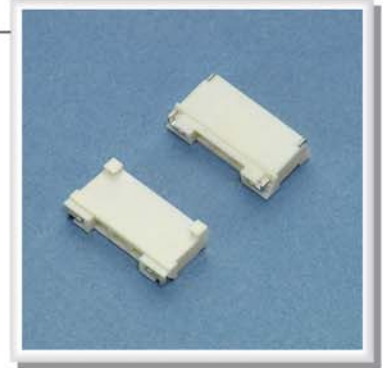
A1276 SERIES

PITCH : 1.27mm PAGE : 106~109



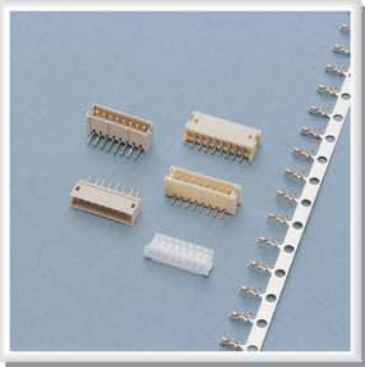
A1300 SERIES

PITCH : 13.00mm PAGE : 110~111



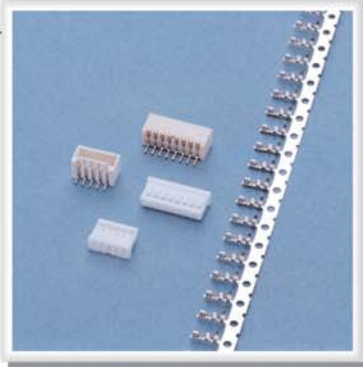
A1500 SERIES

PITCH : 1.50mm PAGE : 112~116



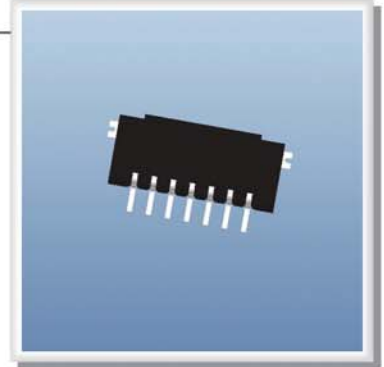
A1501 SERIES

PITCH : 1.50mm PAGE : 117~119



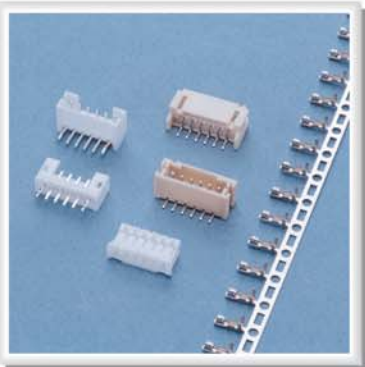
A1503 SERIES

PITCH : 1.50mm PAGE : 120~121



A2001 SERIES

PITCH : 2.00mm PAGE : 122~126



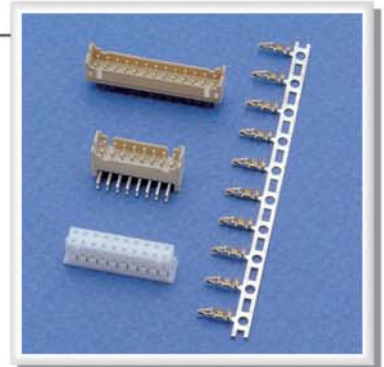
A2002 SERIES

PITCH : 2.00mm PAGE : 127~129



A2004 SERIES

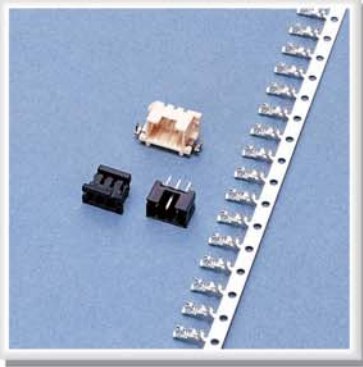
PITCH : 2.00mm PAGE : 130~137



A. Wire to board connectors

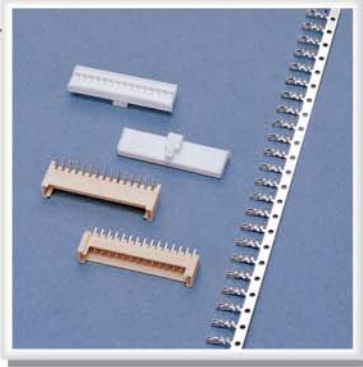
A2005 SERIES

PITCH : 2.00mm PAGE : 138~140



A2006 SERIES

PITCH : 2.00mm PAGE : 141~144



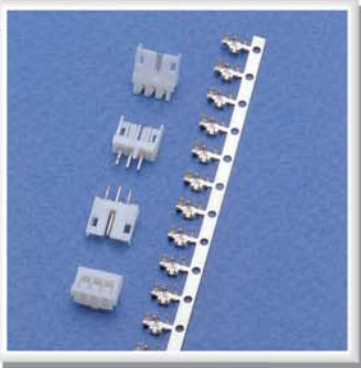
A2008 SERIES

PITCH : 2.00mm PAGE : 145~146



A2013 SERIES

PITCH : 2.00mm PAGE : 147~150



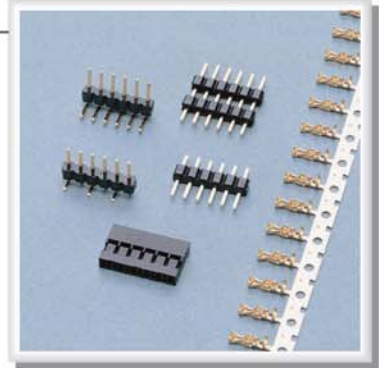
A2014 SERIES

PITCH : 2.00mm PAGE : 151~153



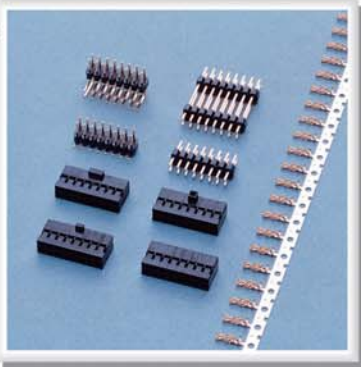
A2015 SERIES

PITCH : 2.00mm PAGE : 154~158



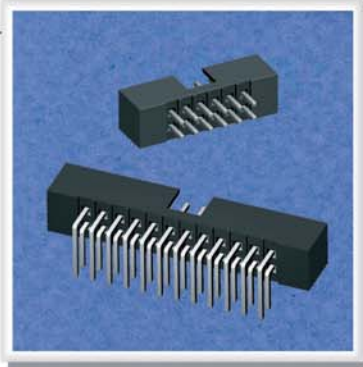
A2016 SERIES

PITCH : 2.00mm PAGE : 159~164



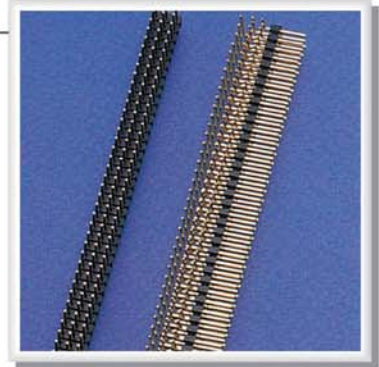
A2017 SERIES

PITCH : 2.00mm PAGE : 165~167



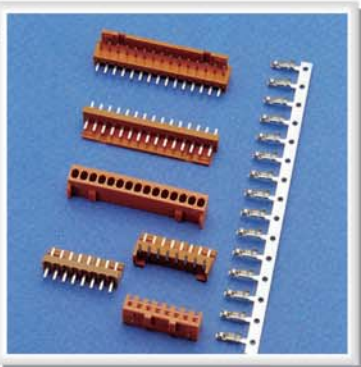
A2018 SERIES

PITCH : 2.00mm PAGE : 168~169



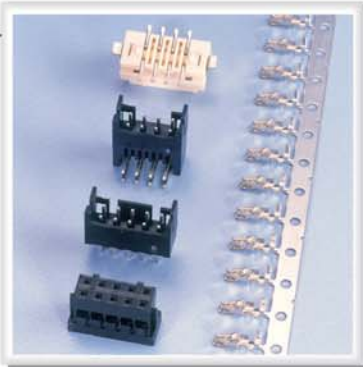
A2100 SERIES

PITCH : 2.00mm PAGE : 170~172



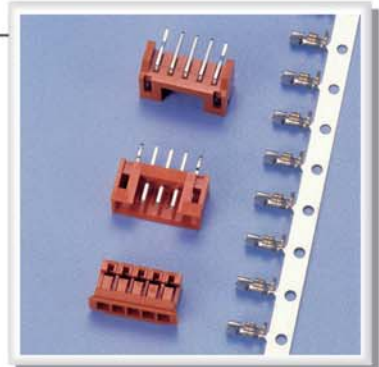
A2211 SERIES

PITCH : 2.00mm PAGE : 173~177



A2500 SERIES

PITCH : 2.50mm PAGE : 178~180

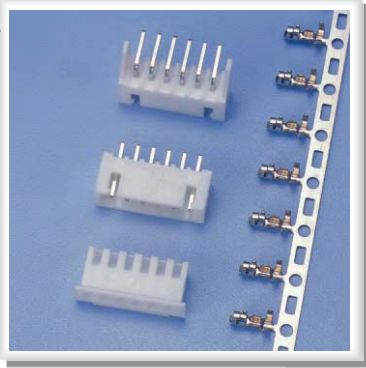


INDEX

A. Wire to board connectors

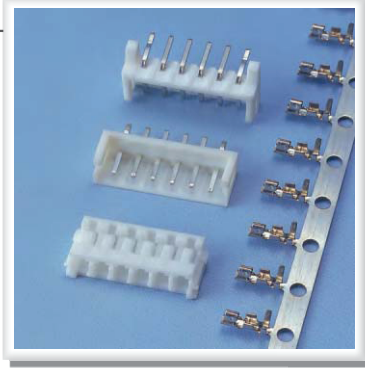
A2501 SERIES

PITCH : 2.50mm PAGE : 181~185



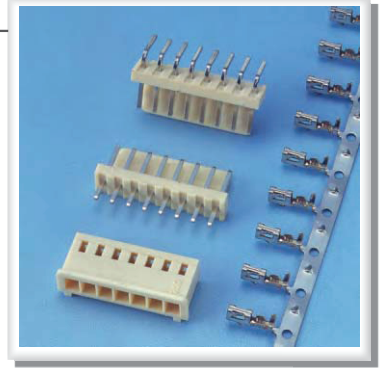
A2502 SERIES

PITCH : 2.50mm PAGE : 186~188



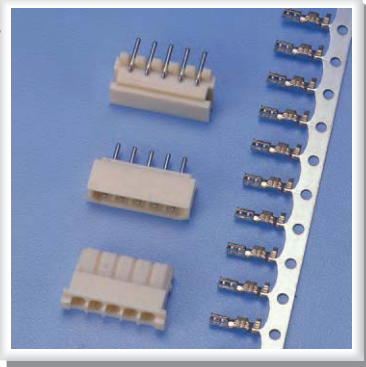
A2503 SERIES

PITCH : 2.50mm PAGE : 189~191



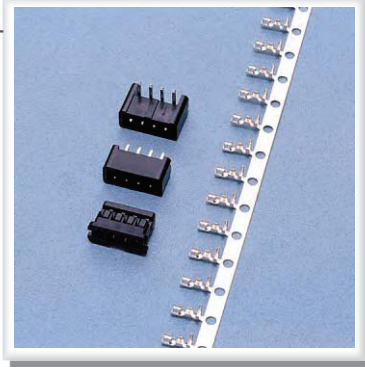
A2506 SERIES

PITCH : 2.50mm PAGE : 192~194



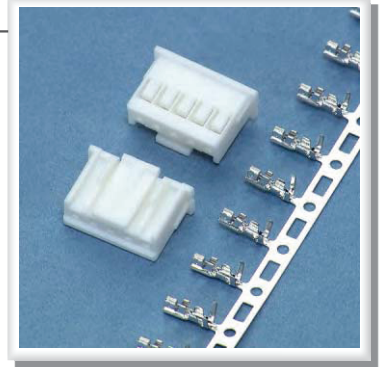
A2507 SERIES

PITCH : 2.50mm PAGE : 195~197



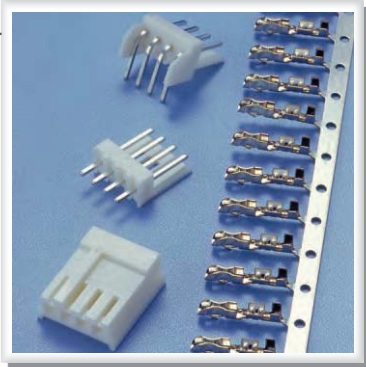
A2508 SERIES

PITCH : 2.50mm PAGE : 198~199



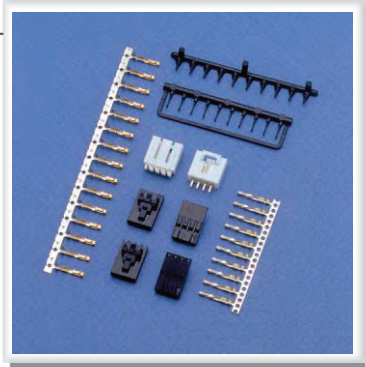
A2540 SERIES

PITCH : 2.50mm PAGE : 200~203



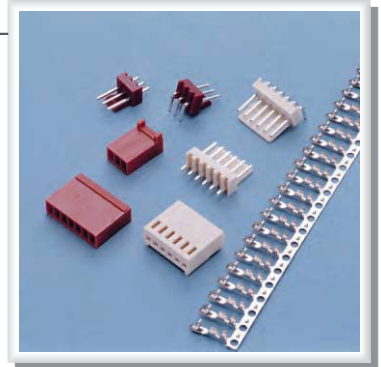
A2541 SERIES

PITCH : 2.54mm PAGE : 204~210



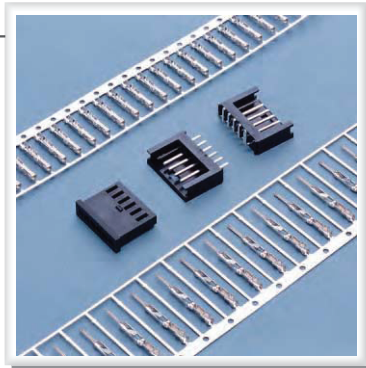
A2542 SERIES

PITCH : 2.54mm PAGE : 211~225



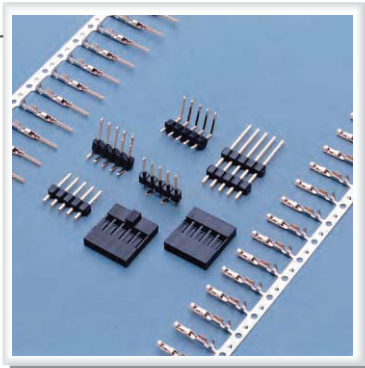
A2543 SERIES

PITCH : 2.54mm PAGE : 226~229



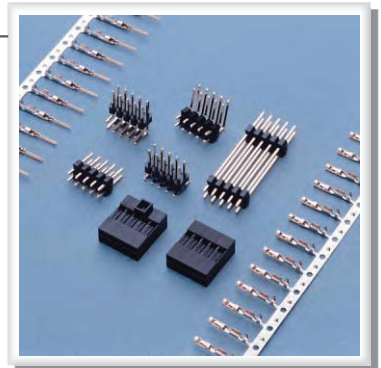
A2545 SERIES

PITCH : 2.54mm PAGE : 230~235



A2546 SERIES

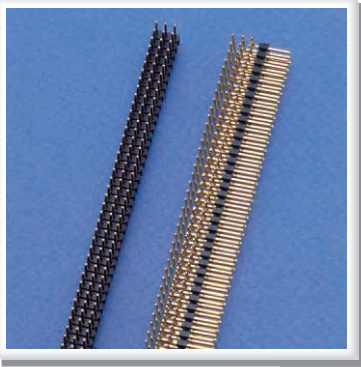
PITCH : 2.54mm PAGE : 236~241



A. Wire to board connectors

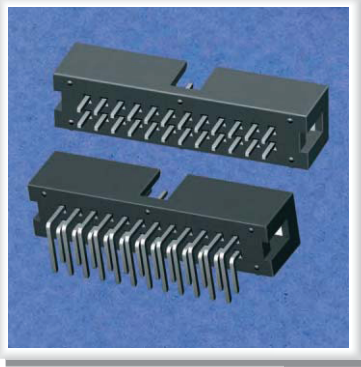
A2547 SERIES

PITCH : 2.54mm PAGE : 242~243



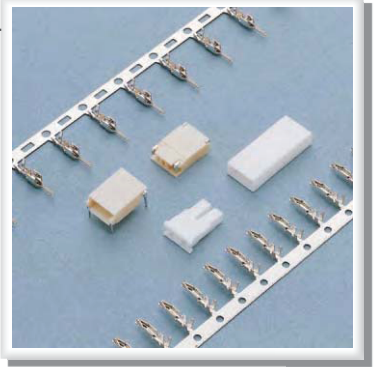
A2548 SERIES

PITCH : 2.54mm PAGE : 244~246



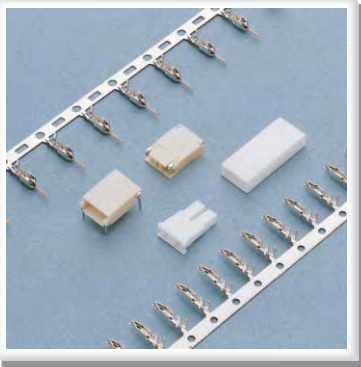
A3500 SERIES

PITCH : 3.50mm PAGE : 247~252



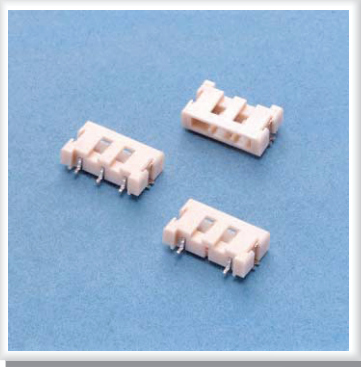
A3501 SERIES

PITCH : 3.50mm PAGE : 253~255



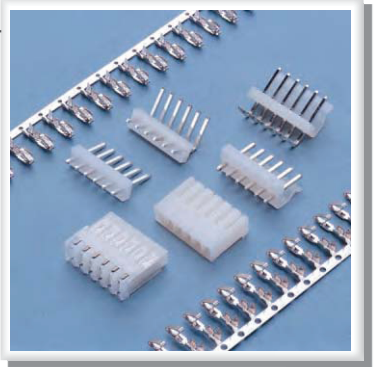
A3800 SERIES

PITCH : 3.80mm PAGE : 256~257



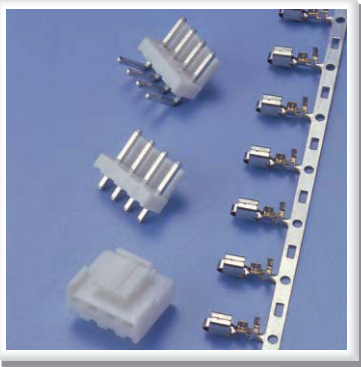
A3960 SERIES

PITCH : 3.96mm PAGE : 258~263



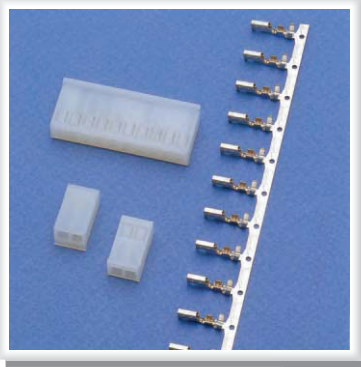
A3961 SERIES

PITCH : 3.96mm PAGE : 264~267



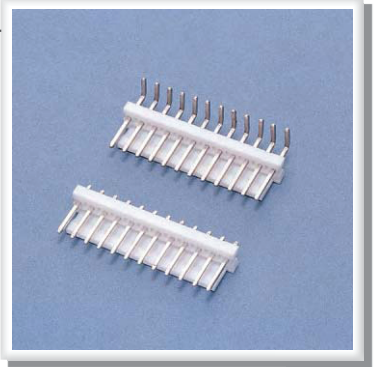
A3962 SERIES

PITCH : 3.96mm PAGE : 268~269



A3963 SERIES

PITCH : 3.96mm PAGE : 270~272



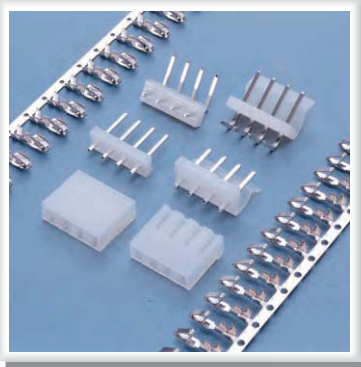
A4000 SERIES

PITCH : 4.00mm PAGE : 273~278



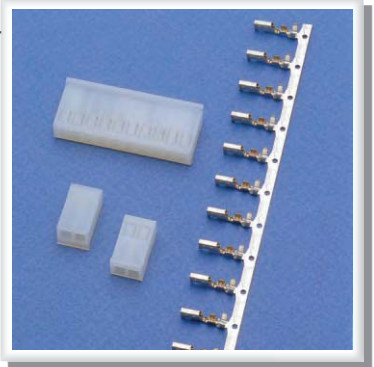
A5081 SERIES

PITCH : 5.08mm PAGE : 279~283



A5082 SERIES

PITCH : 5.08mm PAGE : 284~285

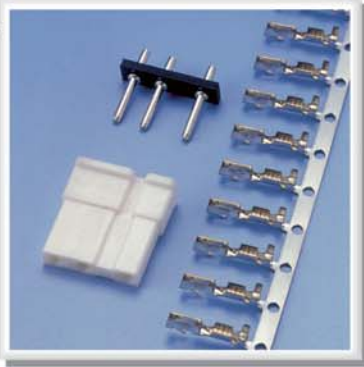


INDEX

A. Wire to board connectors

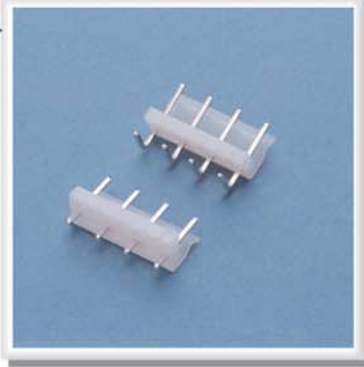
A7500 SERIES

PITCH : 7.50-5.00mm PAGE : 286-288



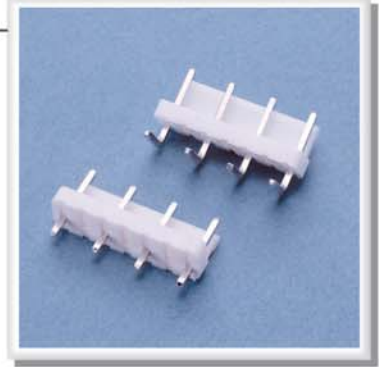
A7920 SERIES

PITCH : 7.92mm PAGE : 289-292



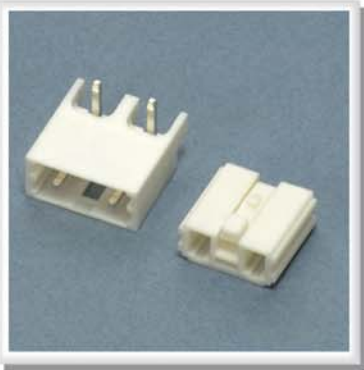
A7921 SERIES

PITCH : 7.92mm PAGE : 293-294



A7922 SERIES

PITCH : 7.92mm PAGE : 295-296



A7923 SERIES

PITCH : 7.92mm PAGE : 297-299



A12511 SERIES

PITCH : 1.25mm PAGE : 300-302



B. Board to board & Board in connectors

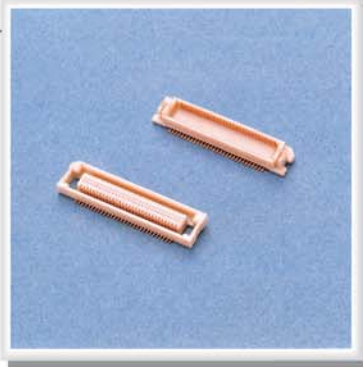
B0510 SERIES

PITCH : 0.50mm PAGE : 303~304



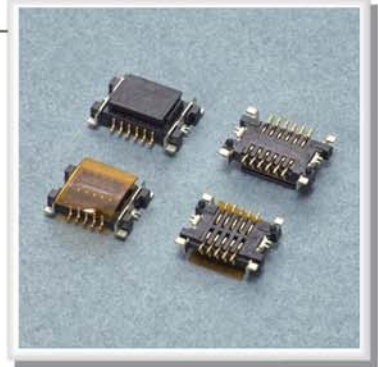
B0600 SERIES

PITCH : 0.60mm PAGE : 305~307



B0802 SERIES

PITCH : 0.80mm PAGE : 308~309



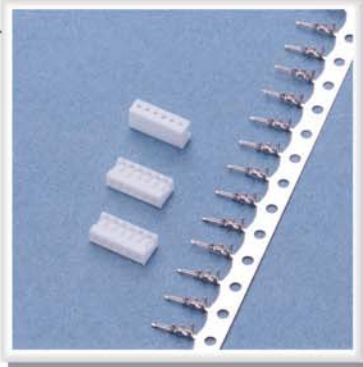
B1027 SERIES

PITCH : 1.00mm PAGE : 310~311



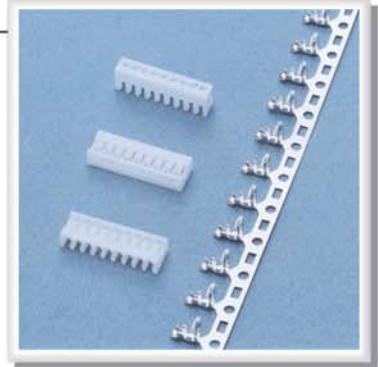
B1259 SERIES

PITCH : 1.25mm PAGE : 312~313



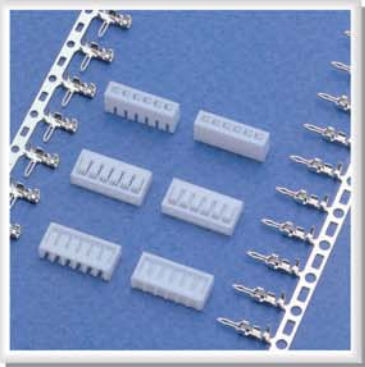
B1502 SERIES

PITCH : 1.50mm PAGE : 314~315



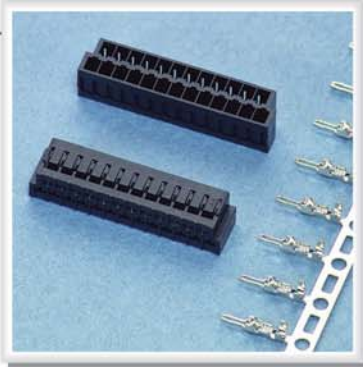
B2011 SERIES

PITCH : 2.00mm PAGE : 316~318



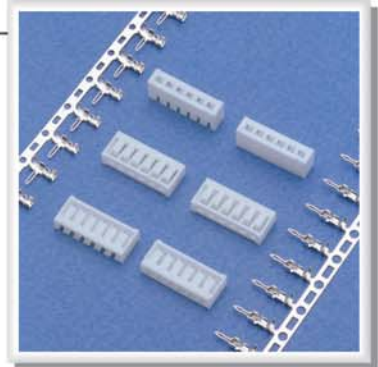
B2012 SERIES

PITCH : 2.00mm PAGE : 319~320



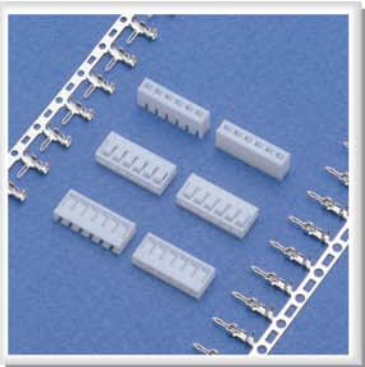
B2512 SERIES

PITCH : 2.50mm PAGE : 321~324



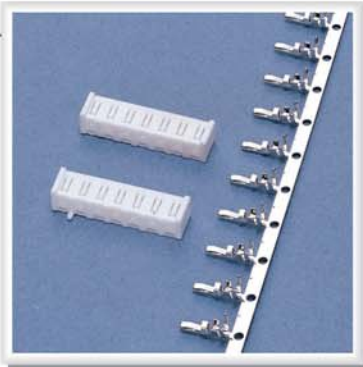
B2513 SERIES

PITCH : 2.50mm PAGE : 325~326



B3965 SERIES

PITCH : 3.96mm PAGE : 327~329

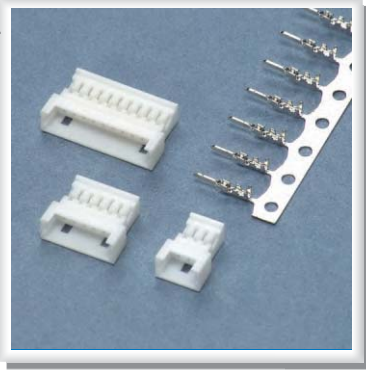


INDEX

C. Wire to wire connectors

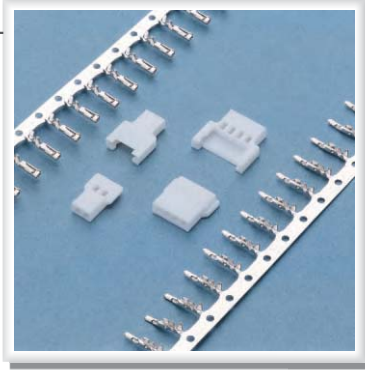
C1250 SERIES

PITCH : 1.25mm PAGE : 332~333



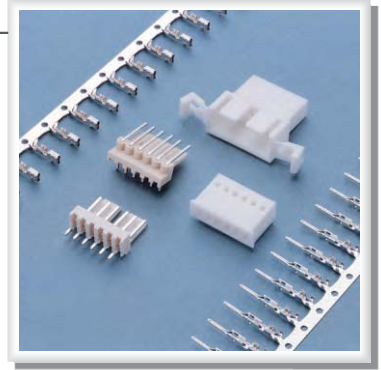
C2003 SERIES

PITCH : 2.00mm PAGE : 334~336



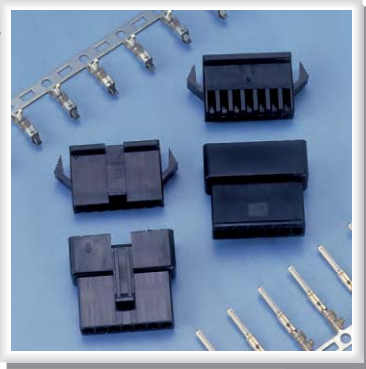
C2504 SERIES

PITCH : 2.50mm PAGE : 337~341



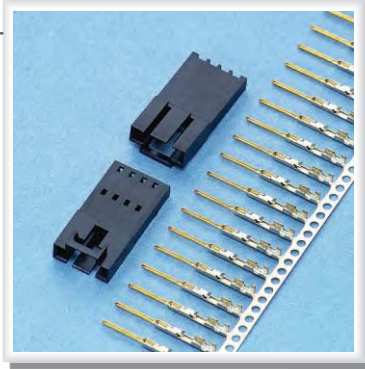
C2505 SERIES

PITCH : 2.50mm PAGE : 342~344



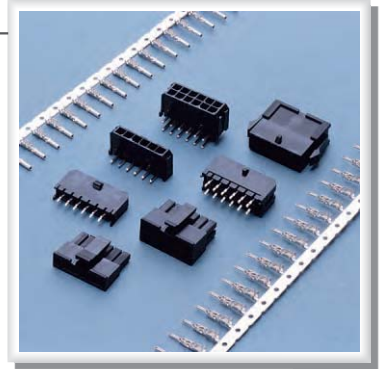
C2544 SERIES

PITCH : 2.54mm PAGE : 345~346



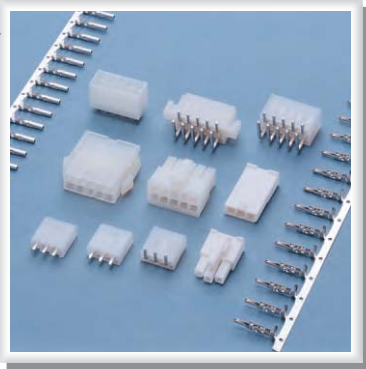
C3030 SERIES

PITCH : 3.00mm PAGE : 347~355



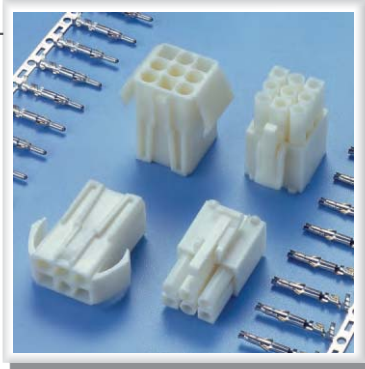
C4255 SERIES

PITCH : 4.20mm PAGE : 356~370



C4500 SERIES

PITCH : 4.50mm PAGE : 371~376



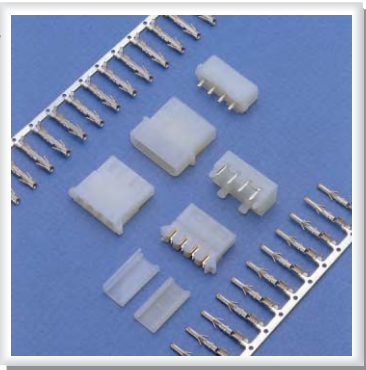
C5030 SERIES

PITCH : 5.03mm PAGE : 377~383



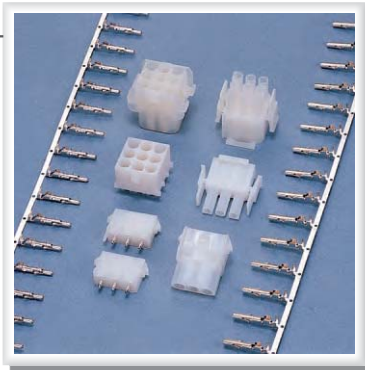
C5080 SERIES

PITCH : 5.08mm PAGE : 384~389



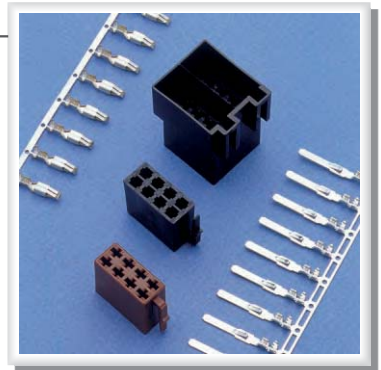
C6350 SERIES

PITCH : 6.35mm PAGE : 390~398



C6500 SERIES

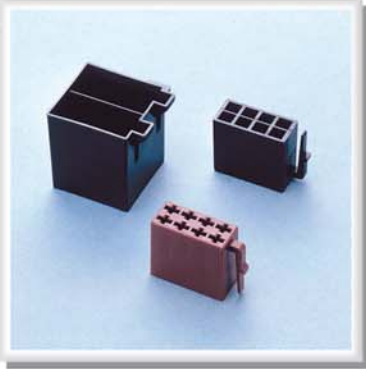
PITCH : 6.50mm PAGE : 399~401



C. Wire to wire connectors

C6501 SERIES

PITCH : 6.50mm PAGE : 402~403



C6502 SERIES

PITCH : 6.50mm PAGE : 404~405



F. FFC/FPC connectors

F0500 SERIES

PITCH : 0.50mm PAGE : 406~408



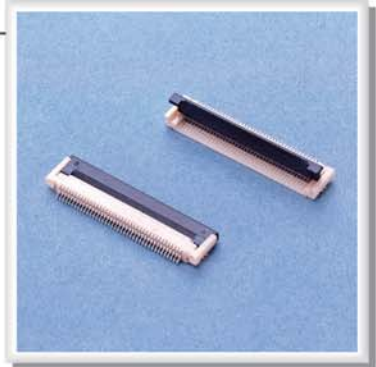
F0501 SERIES

PITCH : 0.50mm PAGE : 409~410



F0502 SERIES

PITCH : 0.50mm PAGE : 411~412



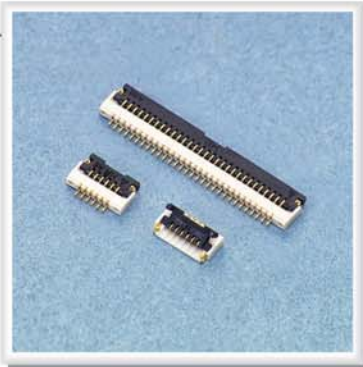
F0503 SERIES

PITCH : 0.50mm PAGE : 413~415



F0504 SERIES

PITCH : 0.50mm PAGE : 416~417



F0506 SERIES

PITCH : 0.50mm PAGE : 418~422

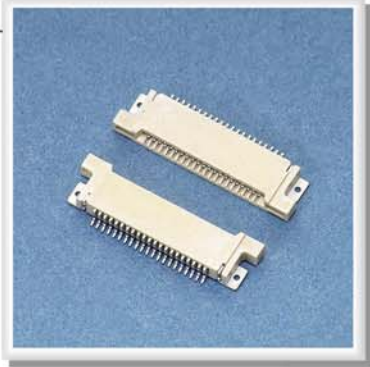


INDEX

F. FFC/FPC connectors

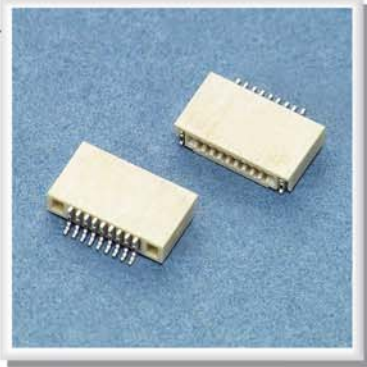
F0507 SERIES

PITCH : 0.50mm PAGE : 423~424



F0508 SERIES

PITCH : 0.50mm PAGE : 425~426



F0509 SERIES

PITCH : 0.50mm PAGE : 427~428



F0513 SERIES

PITCH : 0.50mm PAGE : 429~430



F0514 SERIES

PITCH : 0.50mm PAGE : 431~432



F0515 SERIES

PITCH : 0.50mm PAGE : 433~434



F0516 SERIES

PITCH : 0.50mm PAGE : 435~436



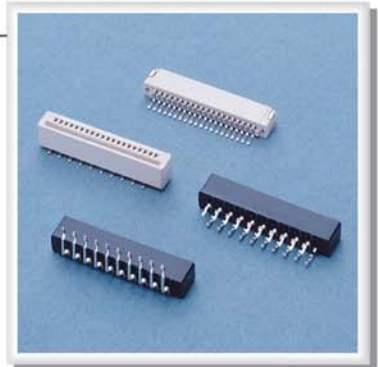
F0801 SERIES

PITCH : 0.80mm PAGE : 437~438



F1000 SERIES

PITCH : 1.00mm PAGE : 439~441



F1002 SERIES

PITCH : 1.00mm PAGE : 442~444



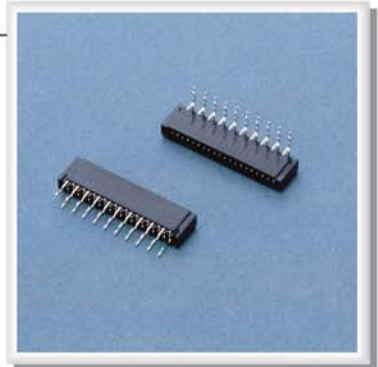
F1003 SERIES

PITCH : 1.00mm PAGE : 445~447



F1004 SERIES

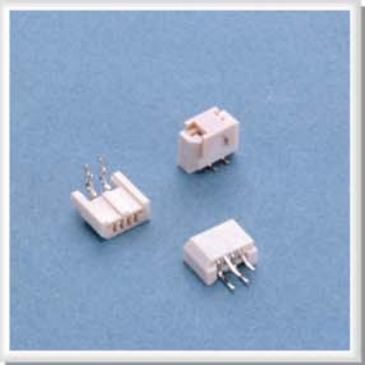
PITCH : 1.00mm PAGE : 448~449



F. FFC/FPC connectors

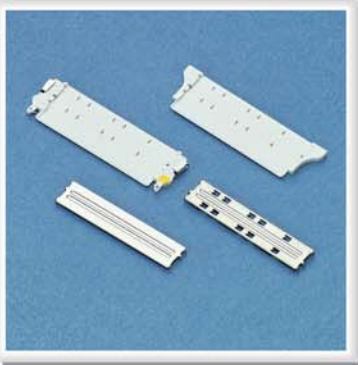
F1005 SERIES

PITCH : 1.00mm PAGE : 450~452



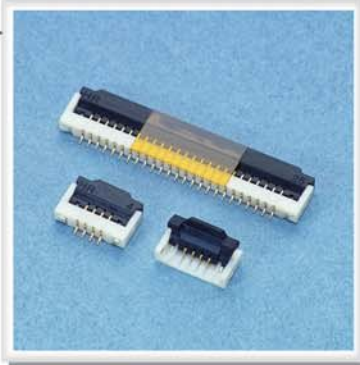
F1010 SERIES

PITCH : 1.00mm PAGE : 453~458



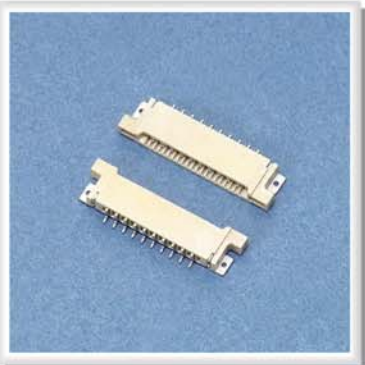
F1015 SERIES

PITCH : 1.00mm PAGE : 459~460



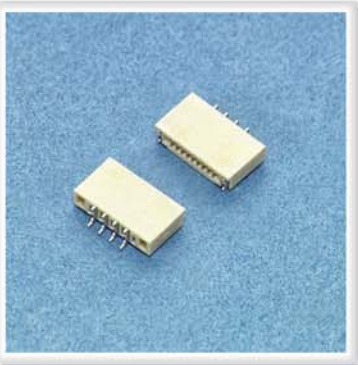
F1016 SERIES

PITCH : 1.00mm PAGE : 461~462



F1017 SERIES

PITCH : 1.00mm PAGE : 463~464



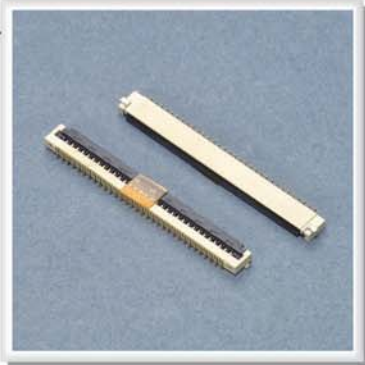
F1018 SERIES

PITCH : 1.00mm PAGE : 465~466



F1019 SERIES

PITCH : 0.80mm PAGE : 467~468



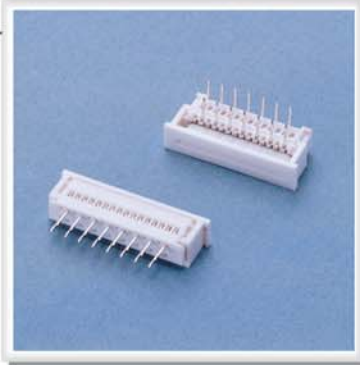
F1022 SERIES

PITCH : 0.80mm PAGE : 469~470



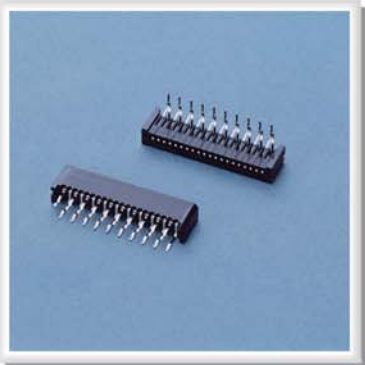
F1257 SERIES

PITCH : 1.25mm PAGE : 471~472



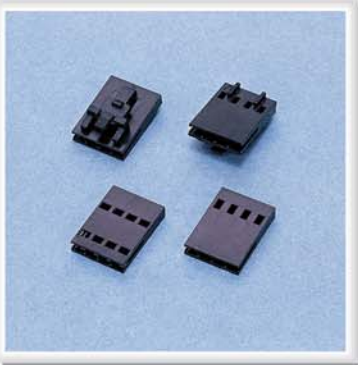
F1258 SERIES

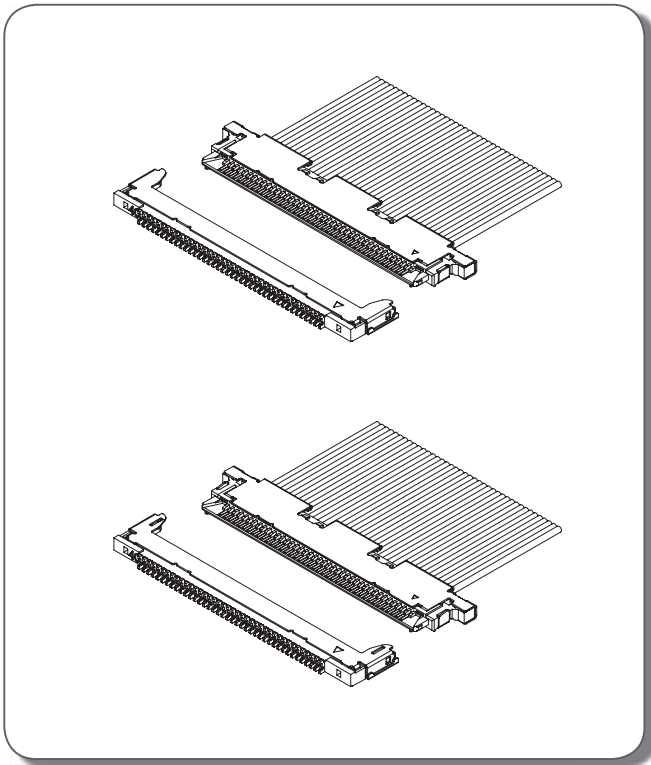
PITCH : 1.25mm PAGE : 473~475



F2544 SERIES

PITCH : 2.54mm PAGE : 476~479



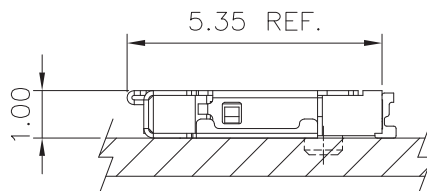


Specifications

Current rating: 0.3A AC,DC
 Voltage rating: 100V AC,DC
 Temperature range: -25°C ~ +85°C
 Contact resistance: 40mΩ Max.
 Insulation resistance: 1000MΩ Min.
 Withstanding voltage: 250V AC/minute

A
 B
 C
 F
 ST
 HRJ
 DC

Assembly layout



Ordering code

① A0400 ② H ③ A ④ -30P

- ① Series No.
- ② H=Housing
- ③ Blank=Without lock structure type
A=With lock structure type
- ④ No. of circuits

① A0400 ② WR ③ A ④ -SF ⑤ -30P

- ① Series No.
- ② Connector type: WR=Right angle
- ③ Blank=Without lock structure type
A=With lock structure type
- ④ Mounting type: SF=SMT with boss
S=SMT without boss
- ⑤ No. of circuits

A0400 SERIES

0.40mm pitch wire to board connector

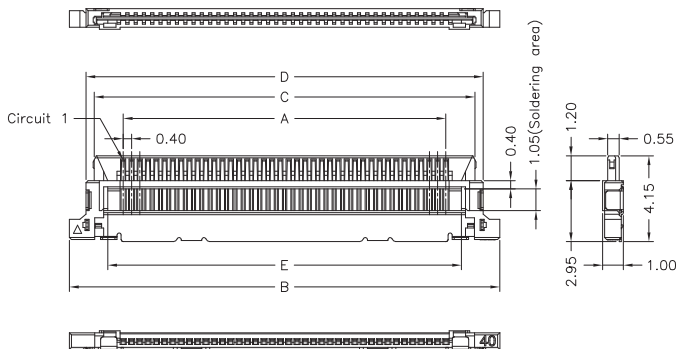
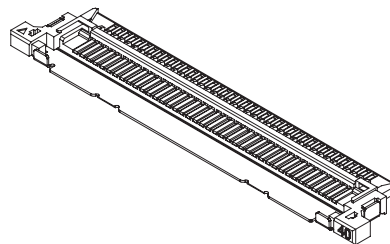
A0400H

0.40mm pitch Housing - SOLDERING TYPE

Reference Informations:

*Material: Pin: Phosphor Bronze/Gold-plated
Housing: LCP,UL94V-0
Shell: Phosphor Bronze/Tin-plated

*Suitable Coaxial Cable #40,42



	A0400H-30P	N	L	B	G2	T	00	B
		①	②	③	④	⑤	⑥	⑦
①	N=Halogen Free							
②	Material: L=LCP							
③	Color: B=Black							
④	Plating code: G2=Gold-plated 3u"							
⑤	Plating code: T=Tin-plated							
⑥	Option code: 00=Standard							
⑦	Packing code: B=Tray							

Ordering Information & Dimensions:

PART NO.	Dimensions				
	A	B	C	D	E
A0400H-30P	11.60	16.80	14.40	15.20	13.10
A0400H-40P	15.60	20.80	18.40	19.20	17.10

Unit:mm

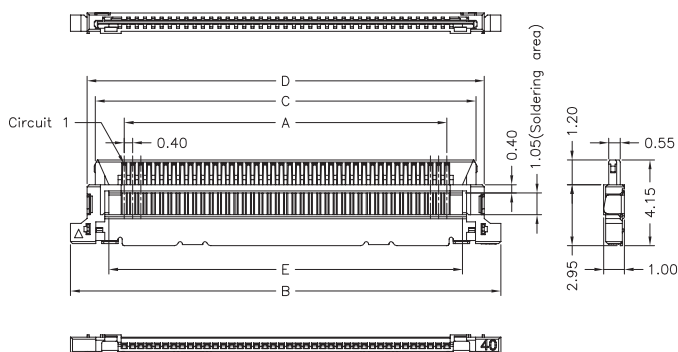
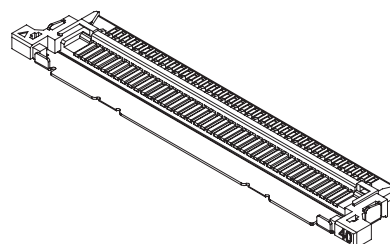
A0400HA

0.40mm pitch Housing With Lock - SOLDERING TYPE

Reference Informations:

*Material: Pin: Phosphor Bronze/Gold-plated
Housing: LCP,UL94V-0
Shell: Phosphor Bronze/Tin-plated

*Suitable Coaxial Cable #40,42



	A0400HA-30P	N	L	B	G2	T	00	B
		①	②	③	④	⑤	⑥	⑦
①	N=Halogen Free							
②	Material: L=LCP							
③	Color: B=Black							
④	Plating code: G2=Gold-plated 3u"							
⑤	Plating code: T=Tin-plated							
⑥	Option code: 00=Standard							
⑦	Packing code: B=Tray							

Ordering Information & Dimensions:

PART NO.	Dimensions				
	A	B	C	D	E
A0400HA-30P	11.60	16.80	14.40	15.20	13.10
A0400HA-40P	15.60	20.80	18.40	19.20	17.10

Unit:mm

A0400 SERIES

0.40mm pitch wire to board connector

A0400WR-SF

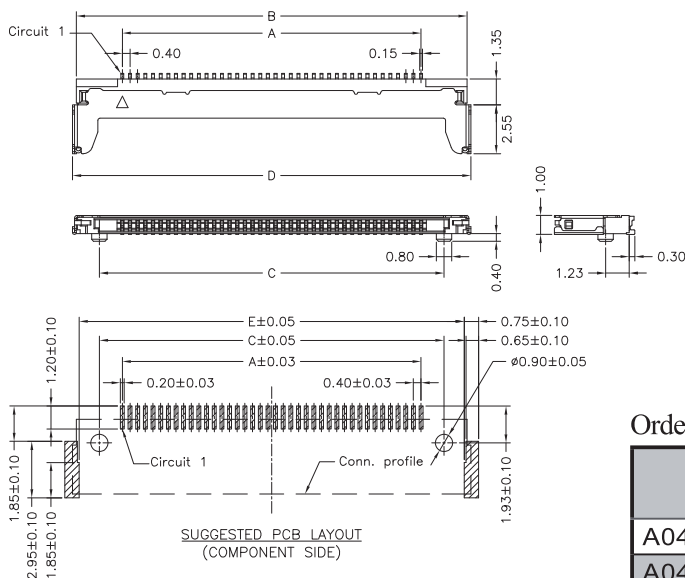
0.40mm pitch 90° Wafer With Boss - SMT TYPE

Reference Informations:

*Material: Pin: Phosphor Bronze/Gold-plated
Shell: Phosphor Bronze/Tin-plated
Wafer: LCP,UL94V-0

*Mates with A0400 series Housing

	A0400WR-SF-30P N L B G2 T 00 R						
	①	②	③	④	⑤	⑥	⑦
	① N=Halogen Free						
	② Material: L=LCP						
	③ Color: B=Black						
	④ Plating code: G2=Gold-plated 3u"						
	⑤ Plating code: T=Tin-plated						
	⑥ Option code: 00=Standard						
⑦ Packing code: R=Tape & Reel							



Ordering Information & Dimensions:

PART NO.	Dimensions				
	A	B	C	D	E
A0400WR-SF-30P	11.60	16.40	14.00	16.80	16.10
A0400WR-SF-40P	15.60	20.40	18.00	20.80	20.10

Unit:mm

A0400WRA-SF

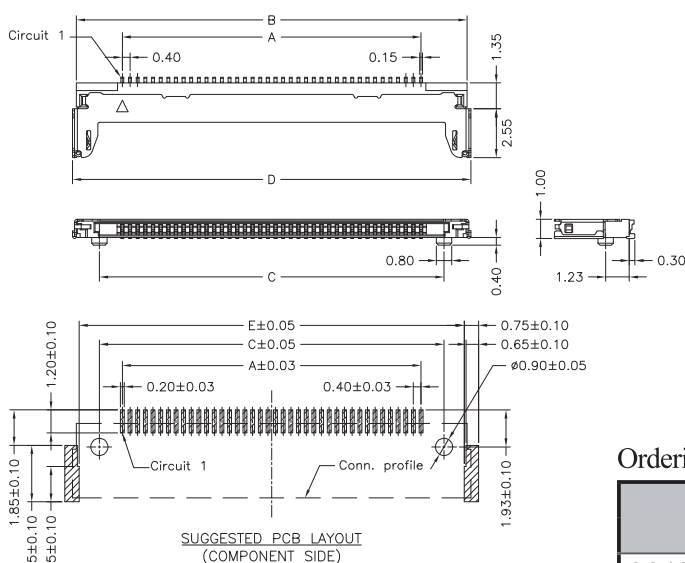
0.40mm pitch 90° Wafer With Boss, Lock - SMT TYPE

Reference Informations:

*Material: Pin: Phosphor Bronze/Gold-plated
Shell: Phosphor Bronze/Tin-plated
Wafer: LCP,UL94V-0

*Mates with H.R A0400 series Housing

	A0400WRA-SF-30P N L B G2 T 00 R						
	①	②	③	④	⑤	⑥	⑦
	① N=Halogen Free						
	② Material: L=LCP						
	③ Color: B=Black						
	④ Plating code: G2=Gold-plated 3u"						
	⑤ Plating code: T=Tin-plated						
	⑥ Option code: 00=Standard						
⑦ Packing code: R=Tape & Reel							



Ordering Information & Dimensions:

PART NO.	Dimensions				
	A	B	C	D	E
A0400WRA-SF-30P	11.60	16.40	14.00	16.80	16.10
A0400WRA-SF-40P	15.60	20.40	18.00	20.80	20.10

Unit:mm

A
B
C
F
ST
HRJ
DC

A0400 SERIES

0.40mm pitch wire to board connector

A0400WR-S

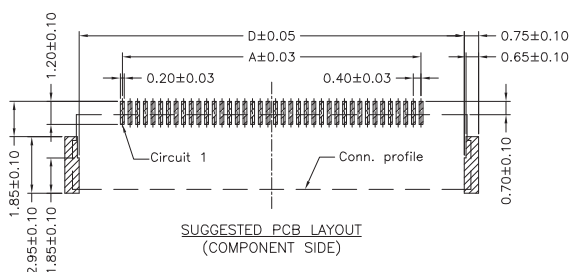
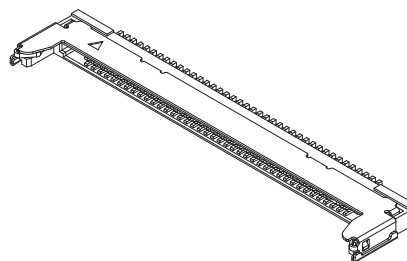
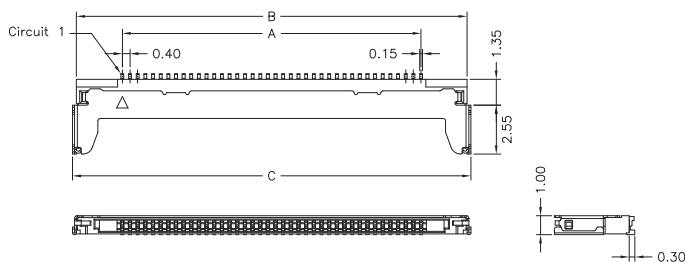
0.40mm pitch 90° Wafer - SMT TYPE

Reference Informations:

*Material: Pin: Phosphor Bronze/Gold-plated
Shell: Phosphor Bronze/Tin-plated
Wafer: LCP,UL94V-0

*Mates with A0400 series Housing

A0400WR-S-30P		N	L	B	G2	T	00	R
①	②	③	④	⑤	⑥	⑦		
① N=Halogen Free ② Material: L=LCP ③ Color: B=Black ④ Plating code: G2=Gold-plated 3u" ⑤ Plating code: T=Tin-plated ⑥ Option code: 00=Standard ⑦ Packing code: R=Tape & Reel								



Ordering Information & Dimensions:

PART NO.	Dimensions			
	A	B	C	D
A0400WR-S-30P	11.60	16.40	16.80	16.10
A0400WR-S-40P	15.60	20.40	20.80	20.10

Unit:mm

A0400WRA-S

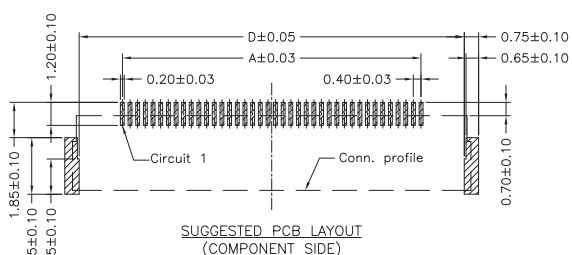
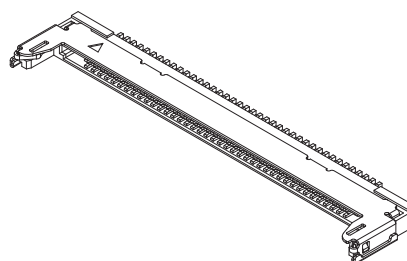
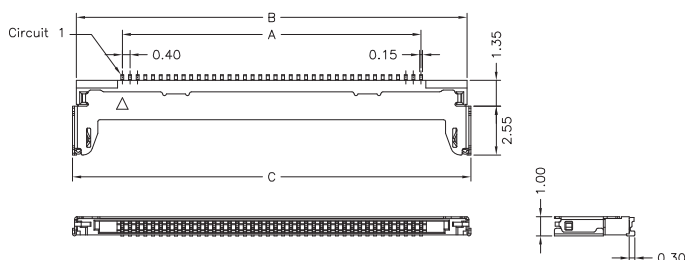
0.40mm pitch 90° Wafer With Lock - SMT TYPE

Reference Informations:

*Material: Pin: Phosphor Bronze/Gold-plated
Shell: Phosphor Bronze/Tin-plated
Wafer: LCP,UL94V-0

*Mates with A0400 series Housing

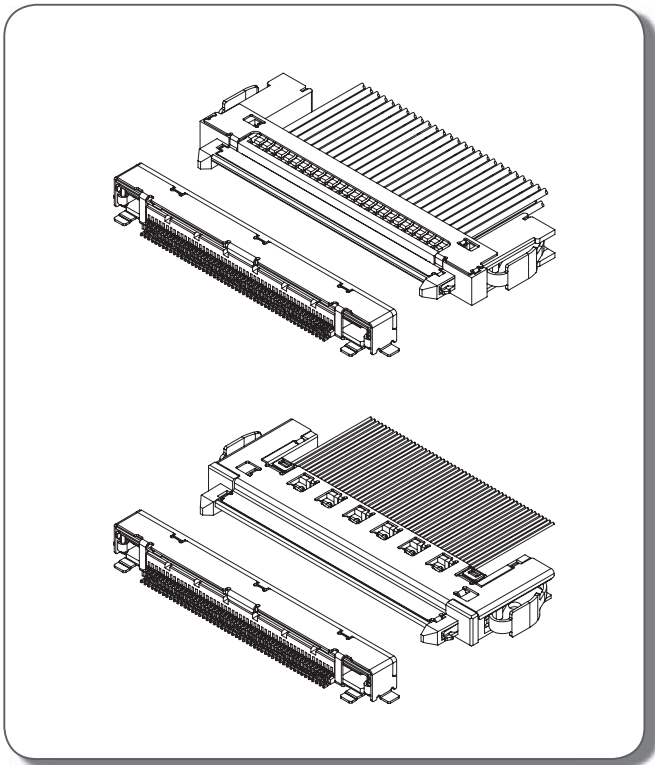
A0400WRA-S-30P		N	L	B	G2	T	00	R
①	②	③	④	⑤	⑥	⑦		
① N=Halogen Free ② Material: L=LCP ③ Color: B=Black ④ Plating code: G2=Gold-plated 3u" ⑤ Plating code: T=Tin-plated ⑥ Option code: 00=Standard ⑦ Packing code: R=Tape & Reel								



Ordering Information & Dimensions:

PART NO.	Dimensions			
	A	B	C	D
A0400WRA-S-30P	11.60	16.40	16.80	16.10
A0400WRA-S-40P	15.60	20.40	20.80	20.10

Unit:mm



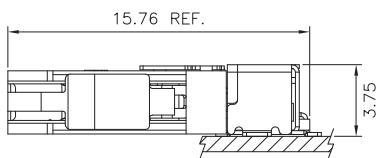
Specifications

Current rating: 0.7A AC,DC
 Voltage rating: 100V AC,DC
 Temperature range: -25°C ~ +85°C
 Contact resistance: 50mΩ Max.
 Insulation resistance: 100MΩ Min.
 Withstanding voltage: 500V AC/minute

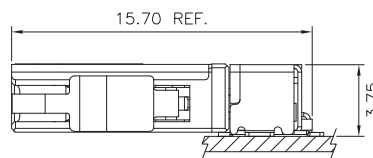
A
B
C
F
ST
HRJ
DC

Standards

Assembly layout



CRIMP TYPE



SOLDERING TYPE

Ordering code

① ② ③ ④ ⑤
A0505 -G P E -A

- ① Series No.
- ② Plating code: G=Gold-plated
- ③ Material: P=Phosphor bronze
- ④ E=Stamping before plating
- ⑤ Option code: -A=A type, -B=B type

① ② ③ ④
A0505 WR -S -51P

- ① Series No.
- ② Connector type: WR=Right angle
- ③ Mounting type: S=SMT
- ④ No. of circuits

① ② ③ ④
A0505 H A -51P

- ① Series No.
- ② H=Housing
- ③ Blank=Crimp type, A=Soldering type
- ④ No. of circuits

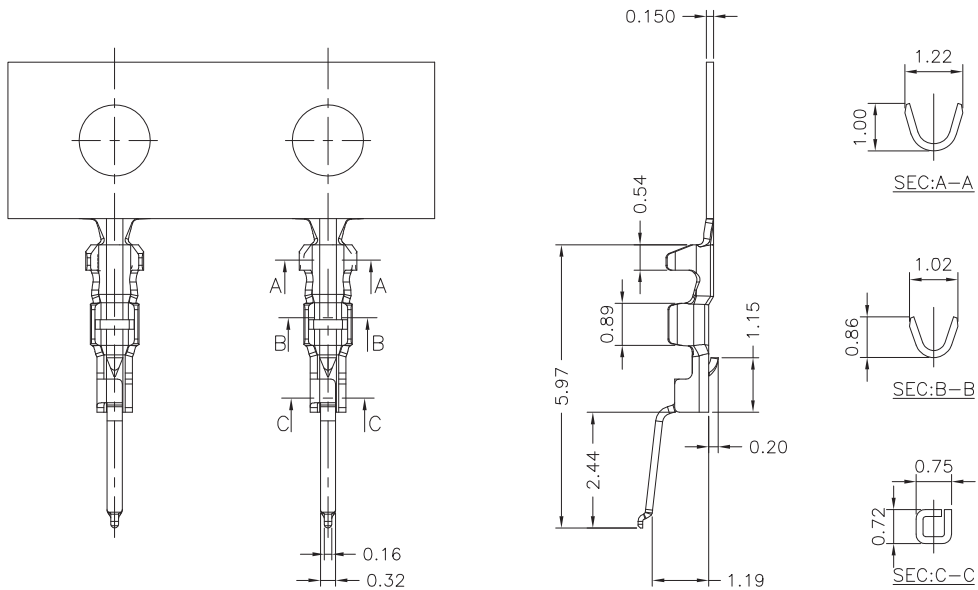
A0505 SERIES

0.50mm pitch wire to board connector

A0505-T — 0.50mm pitch Crimp Terminal - A TYPE

Reference Informations:

*Used in A0505 series Housing



Ordering Information & Specifications:

Unit:mm

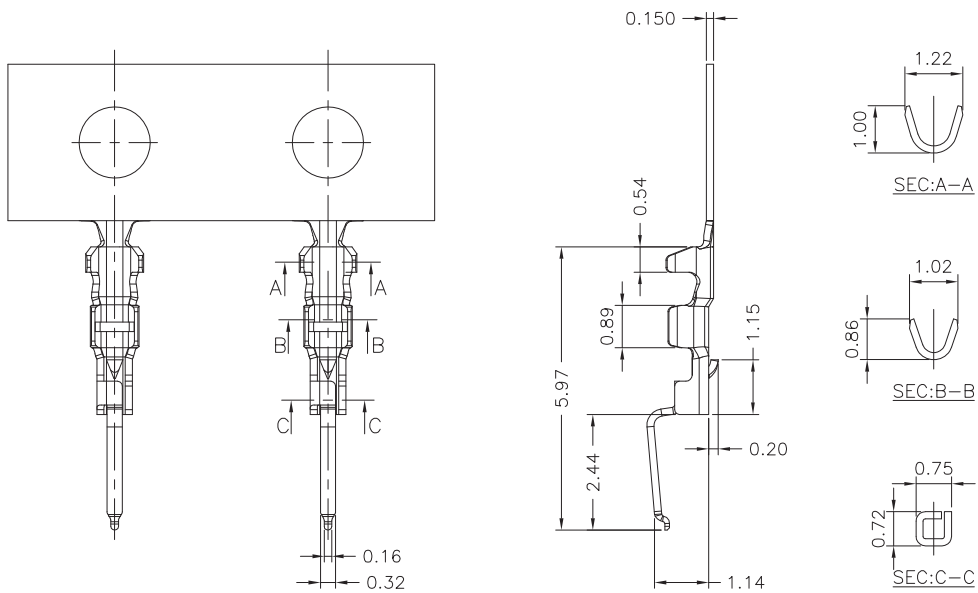
Part No.	Wire Range	Insulation O.D.	Material	Finish	Qty/reel
A0505-GPE-A	AWG#30-#36	0.75mm(max)	Phosphor Bronze	Gold-plated	15,000pcs

Note:E-Stamping before Gold-plated

A0505-T — 0.50mm pitch Crimp Terminal - B TYPE

Reference Informations:

*Used in A0505 series Housing



Ordering Information & Specifications:

Unit:mm

Part No.	Wire Range	Insulation O.D.	Material	Finish	Qty/reel
A0505-GPE-B	AWG#30-#36	0.75mm(max)	Phosphor Bronze	Gold-plated	15,000pcs

Note:E-Stamping before Gold-plated

A0505 SERIES

0.50mm pitch wire to board connector

A0505H

0.50mm pitch Housing - CRIMP TYPE

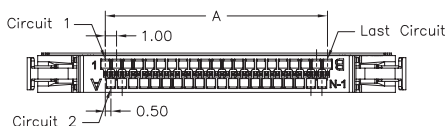
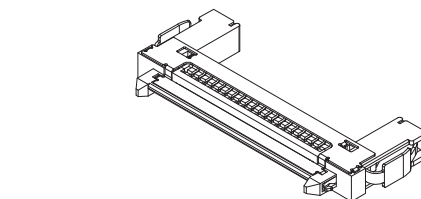
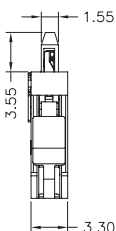
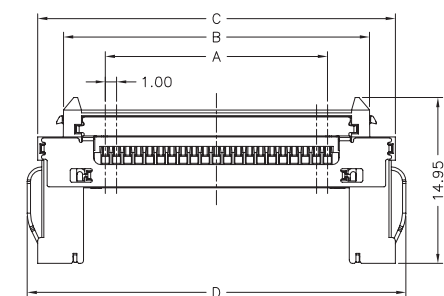
Reference Informations:

*Material: Housing: Nylon 46,UL94V-0

Shell: Stainless

Lock lever: Stainless

*Suitable A0505 series Terminal



Ordering Information & Dimensions:

PART NO.	Dimensions			
	A	B	C	D
A0505H-21P	10.00	17.54	22.20	24.34
A0505H-31P	15.00	22.54	27.20	29.34
A0505H-41P	20.00	27.54	32.20	34.34
A0505H-51P	25.00	32.54	37.20	39.34

Unit:mm

A0505HA

0.50mm pitch Housing - SOLDERING TYPE

Reference Informations:

*Material: Pin: Phosphor Bronze/Gold-plated on contact area;

Tin-plated on solder area

Housing: LCP,UL94V-0

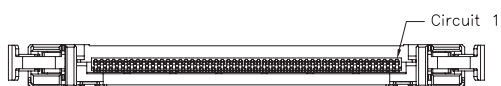
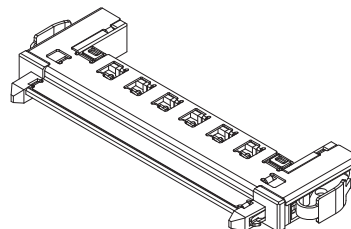
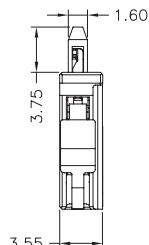
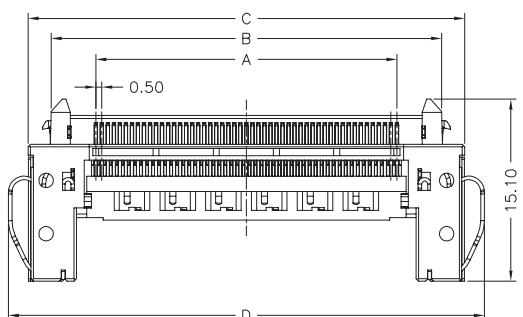
Shell: Phosphor Bronze/Tin-plated

Lock lever: Stainless

*Suitable Coaxial Cable #40,42

A0505HA-51P	N	L	B	H2	T	00	B
	①	②	③	④	⑤	⑥	⑦

① N=Halogen Free
 ② Material: L=LCP
 ③ Color: B=Black
 ④ Plating code: H2=Gold-plated 3u"/Tin-plated
 ⑤ Plating code: T=Tin-plated
 ⑥ Option code: 00=Standard
 ⑦ Packing code: B=Tray



Ordering Information & Dimensions:

PART NO.	Dimensions			
	A	B	C	D
A0505HA-21P	10.00	17.40	21.25	24.45
A0505HA-31P	15.00	22.40	26.25	29.45
A0505HA-41P	20.00	27.40	31.25	34.45
A0505HA-51P	25.00	32.40	36.25	39.45

Unit:mm

A0505 SERIES

0.50mm pitch wire to board connector

A0505WR-S

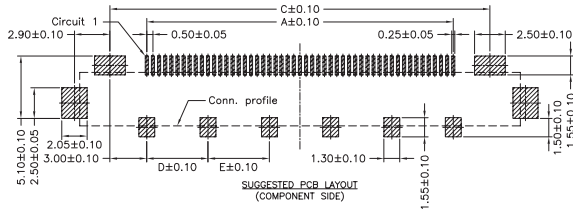
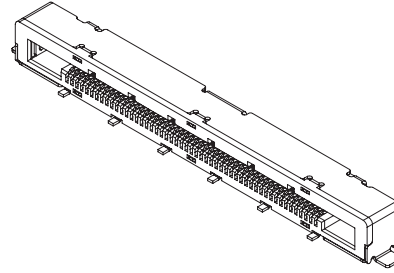
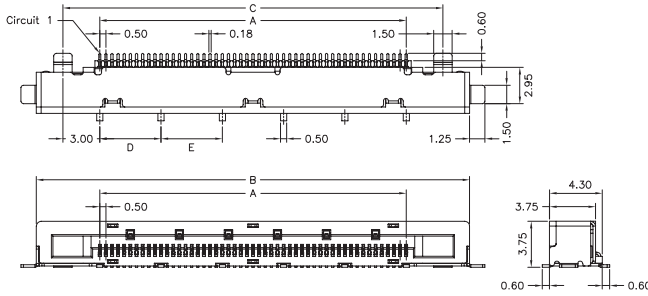
0.50mm pitch 90° Wafer - SMT TYPE

Reference Informations:

- *Material: Pin: Phosphor Bronze/Gold-plated on contact area;
Tin-plated on solder area
- Shell: Phosphor Bronze/Tin-plated
- Wafer: LCP,UL94V-0

*Mates with A0505 series Housing

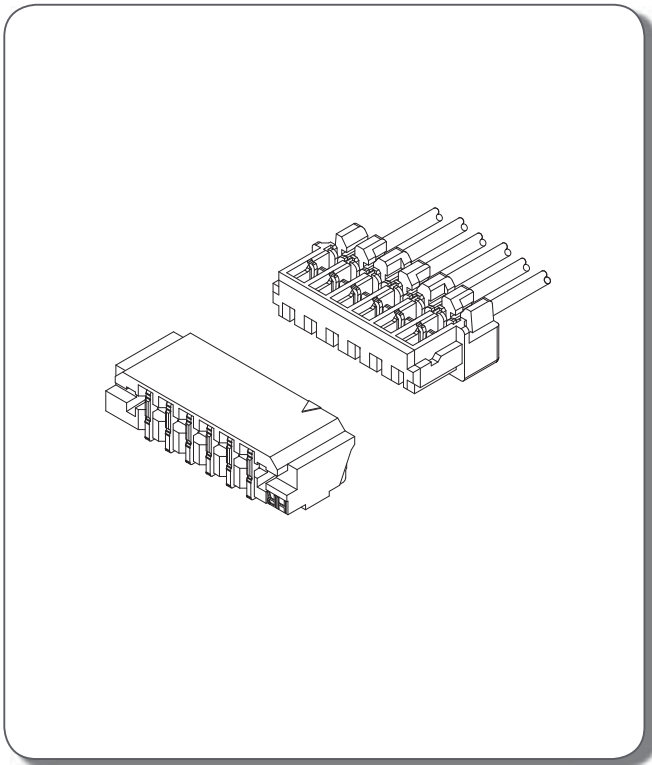
	A0505WR-S-51P						
	N	L	B	H2	T	00	R
①	②	③	④	⑤	⑥	⑦	
① N=Halogen Free							
② Material: L=LCP							
③ Color: B=Black							
④ Plating code: H2=Gold-plated 3u"/Tin-plated							
⑤ Plating code: T=Tin-plated							
⑥ Option code: 00=Standard							
⑦ Packing code: R=Tape & Reel							



Ordering Information & Dimensions:

PART NO.	Dimensions				
	A	B	C	D	E
A0505WR-S-21P	10.00	20.35	16.00	3.00	-----
A0505WR-S-31P	15.00	25.35	21.00	4.00	-----
A0505WR-S-41P	20.00	30.35	26.00	4.00	4.00
A0505WR-S-51P	25.00	35.35	31.00	5.00	5.00

Unit:mm

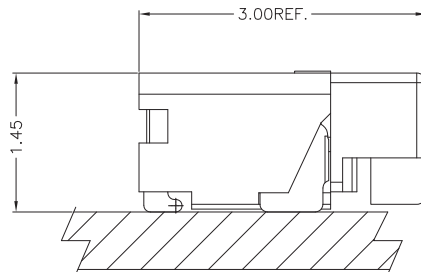


Specifications

Current rating: 0.2A AC,DC
 Voltage rating: 30V AC,DC
 Temperature range: -25°C ~ +85°C
 Contact resistance: 30mΩ Max.
 Insulation resistance: 200MΩ Min.
 Withstanding voltage: 200V AC/minute

A
B
C
F
ST
HRJ
DC

Assembly layout



Ordering code

① ② ③ ④ ⑤ ⑥
A0601 H I A-06P-G01

- ① Series No.
- ② H=Housing
- ③ I=Insulation Displacement Connector
- ④ Blank=Normal type, A=A type
- ⑤ No. of circuits
- ⑥ Option code:
 Blank=Without ear
 -1=With ear
 -G01=Without ear, Gold-flash
 -G11=With ear, Gold-flash

① ② ③ ④ ⑤
A0601 WR-S-XP-D01

- ① Series No.
- ② Connector type: WR=Right angle
- ③ Mounting type: S=SMT
- ④ No. of circuits
- ⑤ Option code: D01=Gold-flash, Taping reel

A0601 SERIES

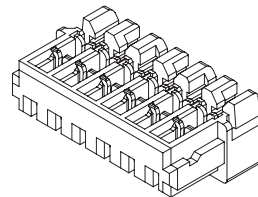
0.60mm pitch wire to board connector

A0601HI-A

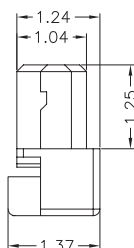
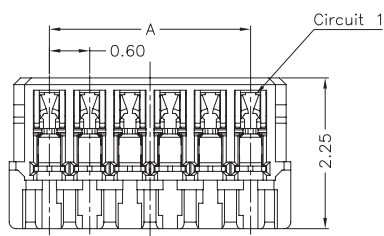
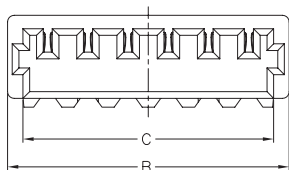
0.60mm pitch insulation Displacement Connector

Reference Informations:

- *Material: Housing: LCP,UL94V-0
Contacts: Phosphor Bronze/Tin-plated
- *Applicable Wire:AWG#34
- *Insulation O.D: 0.32~0.40mm
- *Mates with A0601 serie Wafer



	A0601HIA-06P	N	L	B	T1	N	00	B
		①	②	③	④	⑤	⑥	⑦
①	N=Halogen Free							
②	Material: L=LCP							
③	Color: B=Black							
④	Plating code: T1=Non-plating							
⑤	Plating code: N=Non-plating							
⑥	Option code: 00=Standard							
⑦	Packing code: B=Tray							



Ordering Information & Dimensions:

PART NO.	Dimensions		
	A	B	C
A0601HIA-02P	0.60	1.80	1.34
A0601HIA-04P	1.80	3.00	2.54
A0601HIA-06P	3.00	4.20	3.74
A0601HIA-08P	4.20	5.40	4.94
A0601HIA-10P	5.40	9.00	6.14
A0601HIA-16P	9.00	11.40	9.74
A0601HIA-20P	11.40	12.60	12.14
A0601HIA-22P	12.60	13.80	13.34

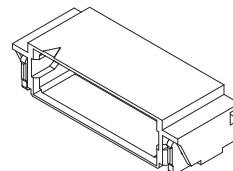
Unit:mm

A0601WR-S

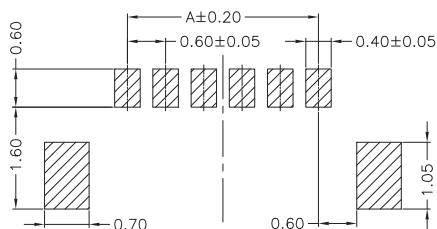
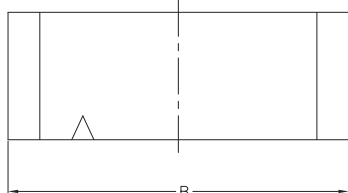
0.60mm pitch 90° Wafer-SMT TYPE

Reference Informations:

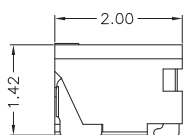
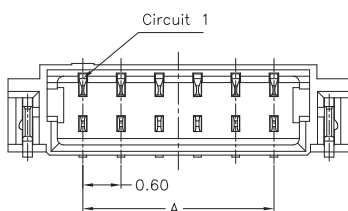
- *Material: Pin: Phosphor Bronze/Tin-plated
Solder Tabs: Phosphor Bronze/Tin-plated
Wafer: LCP,UL94V-0
- *Mates with A0601 series Housing



	A0601WR-S-06P	N	L	B	XX	X	00	R
		①	②	③	④	⑤	⑥	⑦
①	N=Halogen Free							
②	Material: L=LCP							
③	Color: B=Black							
④	Plating code for contacts: T1=Non-plating, G1=Gold-flash							
⑤	Plating code for solder tabs: T=Matte Tin-plated; G=Gold-flash							
⑥	Option code: 00=Standard							
⑦	Packing code: R=Tap & Reel							



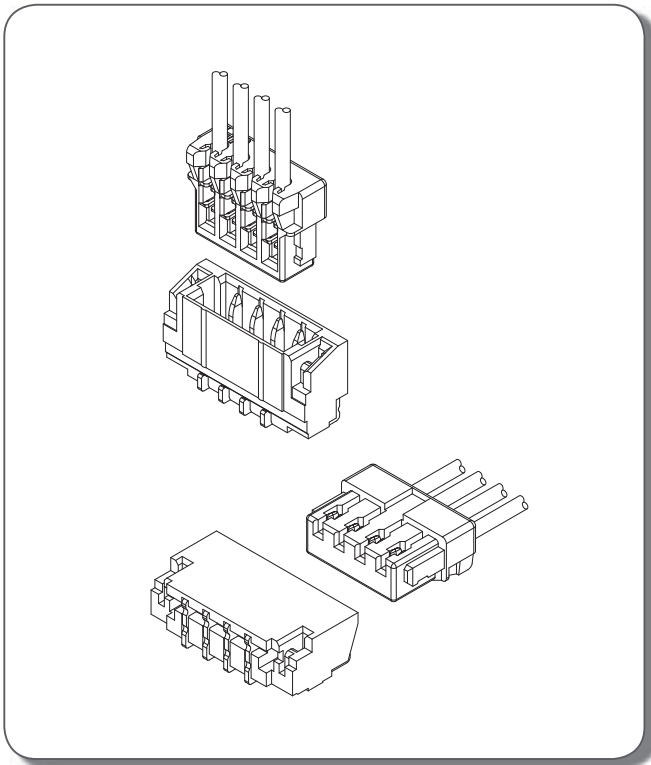
P.C.B LAYOUT



Ordering Information & Dimensions:

PART NO.	Dimensions	
	A	C
A0601WR-S-02P	0.60	2.95
A0601WR-S-04P	1.80	4.15
A0601WR-S-05P	2.40	4.75
A0601WR-S-06P	3.00	5.35
A0601WR-S-08P	4.20	6.55
A0601WR-S-10P	5.40	7.75
A0601WR-S-16P	9.00	11.35
A0601WR-S-20P	11.40	13.75
A0601WR-S-22P	12.60	14.95

Unit:mm



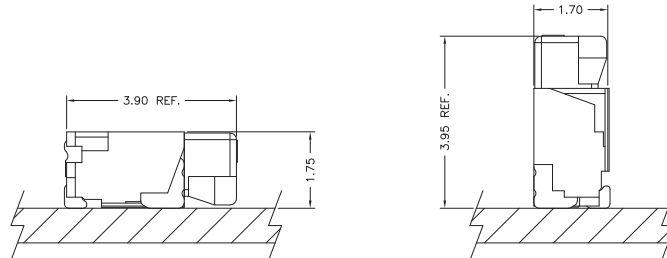
Specifications

Current rating: 0.5A AC,DC
 Voltage rating: 30V AC,DC
 Temperature range: -25°C ~ +85°C
 Contact resistance: 20mΩ Max.
 Insulation resistance: 100MΩ Min.
 Withstanding voltage: 200V AC/minute

A
B
C
F
ST
HRJ
DC

Standards

Assembly layout



Ordering code

① A0800 ② H ③ I-05P ④ -G01

- ① Series No.
- ② H=Housing
- ③ I=Insulation Displacement Connector
- ④ No. of circuits
- ⑤ Option code:
 Blank=Without ear
 -1=With ear
 -G01=Without ear, Gold-flash
 -G11=With ear, Gold-flash

① A0800 ② WV ③ -S-05P ④ D01

- ① Series No.
- ② Connector type: WV=Vertical, WR=Right angle
- ③ Mounting type: S=SMT
- ④ No. of circuits
- ⑤ Option code: D01=Gold-flash, Taping reel

A0800 SERIES

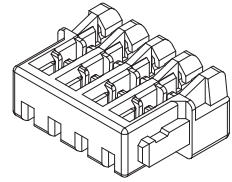
0.80mm pitch wire to board connector

A0800HI

—0.80mm pitch Insulation Displacement Connector—

Reference Informations:

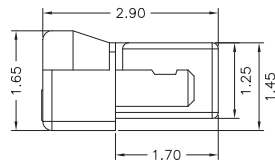
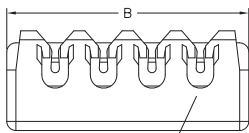
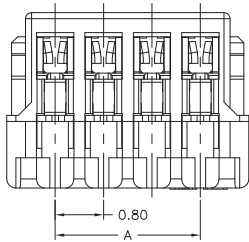
- *Material: Housing: Nylon 46,UL94V-0
Contacts: Phosphor Bronze/Tin-plated
- *Applicable Wire: AWG#32
- *Insulation O.D.: 0.38mm
- *Mates with A0800 series Wafer



Ordering Information & Dimensions:

PART NO.	Dimensions	
	A	B
A0800HI-02P	0.80	2.40
A0800HI-03P	1.60	3.20
A0800HI-04P	2.40	4.00
A0800HI-05P	3.20	4.80
A0800HI-06P	4.00	5.60
A0800HI-07P	4.80	6.40
A0800HI-08P	5.60	7.20
A0800HI-09P	6.40	8.00
A0800HI-10P	7.20	8.80
A0800HI-11P	8.00	9.60
A0800HI-12P	8.80	10.40
A0800HI-14P	10.40	12.00
A0800HI-15P	11.20	12.80
A0800HI-16P	12.00	13.60
A0800HI-17P	12.80	14.40
A0800HI-20P	15.20	16.80

Unit:mm



A0800HI-05P		N	L	N	T1	N	00	B
		①	②	③	④	⑤	⑥	⑦
①	N=Halogen Free							
②	Material: L=LCP							
③	Color: N=Natural(Beige)							
④	Plating code: T1=Tin-plated, G1=Gold-flash							
⑤	Plating code: N=Non-plating							
⑥	Option code: 00=Standard							
⑦	Packing code: B=Tray							

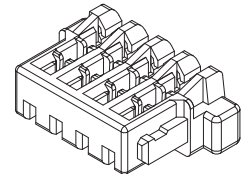
A
B
C
F
ST
HRJ
DC

A0800HI

—0.80mm pitch Insulation Displacement Connector With ear—

Reference Informations:

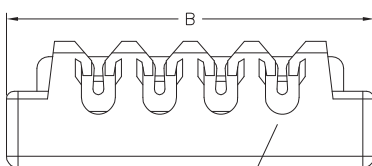
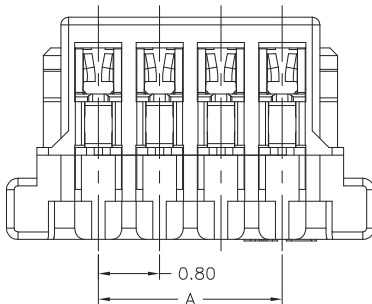
- *Material: Housing: Nylon 46,UL94V-0
Contacts: Phosphor Bronze/Tin-plated
- *Applicable Wire: AWG#32
- *Insulation O.D.: 0.38mm
- *Mates with A0800 series Wafer



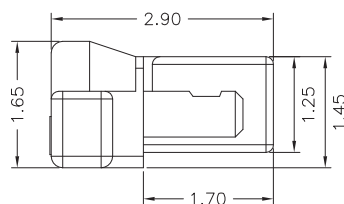
Ordering Information & Dimensions:

PART NO.	Dimensions	
	A	B
A0800HI-02P-1	0.80	3.20
A0800HI-03P-1	1.60	4.00
A0800HI-04P-1	2.40	4.80
A0800HI-05P-1	3.20	5.60
A0800HI-06P-1	4.00	6.40
A0800HI-07P-1	4.80	7.20
A0800HI-08P-1	5.60	8.00
A0800HI-09P-1	6.40	8.80
A0800HI-10P-1	7.20	9.60
A0800HI-11P-1	8.00	10.40
A0800HI-12P-1	8.80	11.20
A0800HI-14P-1	10.40	12.80
A0800HI-15P-1	11.20	13.60
A0800HI-16P-1	12.00	14.40
A0800HI-17P-1	12.80	15.20
A0800HI-20P-1	15.20	17.60

Unit:mm



A0800HI-05P		N	L	N	T1	N	10	B
		①	②	③	④	⑤	⑥	⑦
①	N=Halogen Free							
②	Material: L=LCP							
③	Color: N=Natural(Beige)							
④	Plating code: T1=Tin-plated, G1=Gold-flash							
⑤	Plating code: N=Non-plating							
⑥	Option code: 10=With ear							
⑦	Packing code: B=Tray							



A0800 SERIES

0.80mm pitch wire to board connector

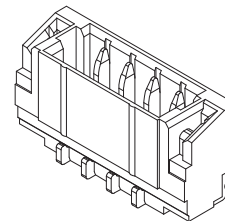
A0800WV-S

0.80mm pitch 180° Wafer - SMT TYPE

Reference Informations:

- *Material: Pin: Phosphor Bronze/Tin-plated
Solder Tabs: Phosphor Bronze/Tin-plated
Wafer: Nylon 6T,UL94V-0
Cap: Nylon 6T,UL94V-0

*Mates with A0800 series Housing

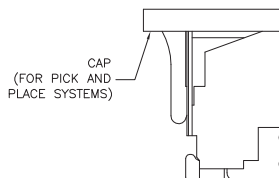
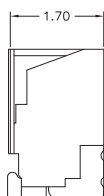
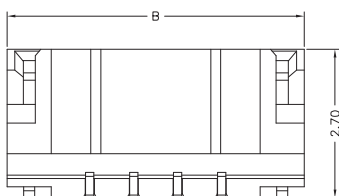
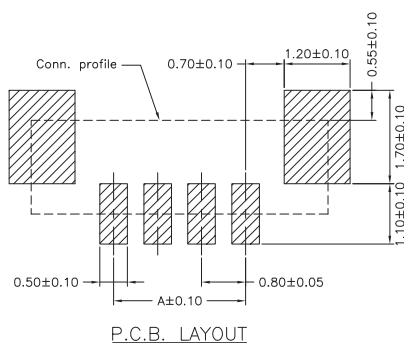
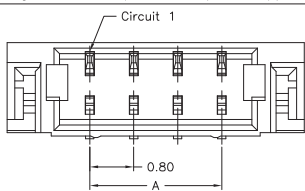


Ordering Information & Dimensions:

PART NO.	Dimensions	
	A	B
A0800WV-S-02P	0.80	3.80
A0800WV-S-03P	1.60	4.60
A0800WV-S-04P	2.40	5.40
A0800WV-S-05P	3.20	6.20
A0800WV-S-06P	4.00	7.00
A0800WV-S-07P	4.80	7.80
A0800WV-S-08P	5.60	8.60
A0800WV-S-10P	7.20	10.20
A0800WV-S-12P	8.80	11.80
A0800WV-S-14P	10.40	13.40
A0800WV-S-15P	11.20	14.20
A0800WV-S-16P	12.00	15.00
A0800WV-S-17P	12.80	15.80
A0800WV-S-20P	15.20	18.20

Unit:mm

A0800WV-S-05P ① N=Halogen Free ② Material: 6=Nylon 6T ③ Color: B=Black ④ Plating code: T1=Tin-plated, G1=Gold-flash ⑤ Plating code: T=Tin-plated, G=Gold-flash ⑥ Option code: 00=Standard ⑦ Packing code: L=Tape & Reel(With Cap)	N	6	B	T1	T	00	L
	①	②	③	④	⑤	⑥	⑦



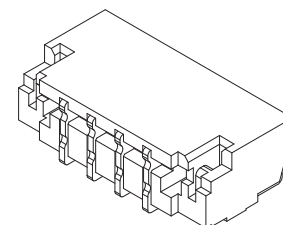
A0800WR-S

0.80mm pitch 90° Wafer - SMT TYPE

Reference Informations:

- *Material: Pin: Phosphor Bronze/Tin-plated
Solder Tabs: Phosphor Bronze/Tin-plated
Wafer: Nylon 6T,UL94V-0

*Mates with A0800 series Housing

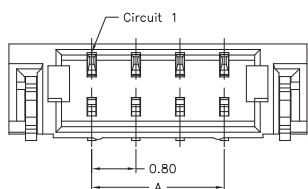
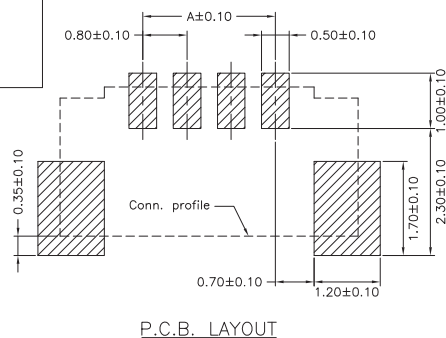
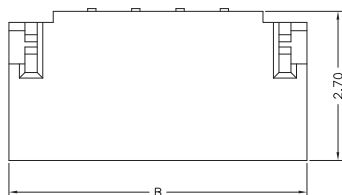


Ordering Information & Dimensions:

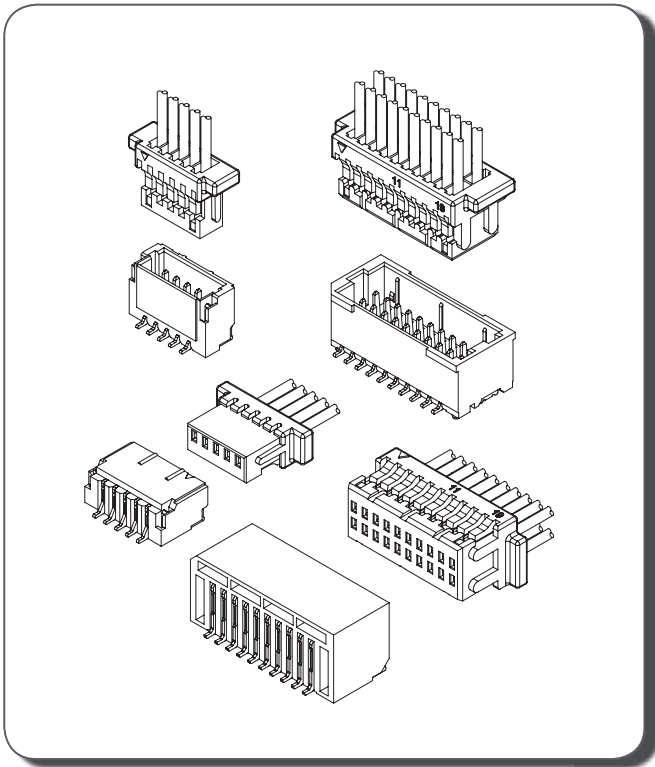
PART NO.	Dimensions	
	A	B
A0800WR-S-02P	0.80	3.80
A0800WR-S-03P	1.60	4.60
A0800WR-S-04P	2.40	5.40
A0800WR-S-05P	3.20	6.20
A0800WR-S-06P	4.00	7.00
A0800WR-S-07P	4.80	7.80
A0800WR-S-08P	5.60	8.60
A0800WR-S-10P	7.20	10.20
A0800WR-S-12P	8.80	11.80
A0800WR-S-14P	10.40	13.40
A0800WR-S-15P	11.20	14.20
A0800WR-S-16P	12.00	15.00
A0800WR-S-17P	12.80	15.80
A0800WR-S-20P	15.20	18.20

Unit:mm

A0800WR-S-05P ① N=Halogen Free ② Material: 6=Nylon 6T ③ Color: B=Black ④ Plating code: T1=Tin-plated, G1=Gold-flash ⑤ Plating code: T=Tin-plated, G=Gold-flash ⑥ Option code: 00=Standard ⑦ Packing code: R=Tape & Reel	N	6	B	T1	T	00	R
	①	②	③	④	⑤	⑥	⑦



A
B
C
F
ST
HRJ
DC

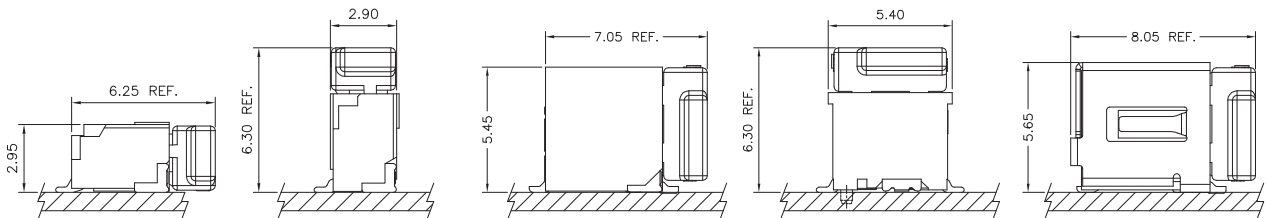


Specifications

Current rating: 1A AC,DC
 Voltage rating: 50V AC,DC
 Temperature range: -25°C ~ +85°C
 Contact resistance: 20mΩ Max.
 Insulation resistance: 100MΩ Min.
 Withstanding voltage: 500V AC/minute

Standards

Assembly layout



Ordering code

① ② ③ ④ ⑤
A1001-T P E -C

- ① Series No.
- ② Plating code: T=Tin-plated, G=Gold-plated
- ③ Material: P=Phosphor bronze
- ④ E=Stamping before plating
- ⑤ Option code: -C=C Type

① ② ③ ④ ⑤
A1001 H-2X 10P -1

- ① Series No.
- ② H=Housing
- ③ Blank=Single row, 2X=Dual row
- ④ No. of circuits
- ⑤ Option code: -1=Type 1, -2=Type 2

① ② ③ ④ ⑤ ⑥ ⑦
A1001 WR A-SF-2X 20P D01

- ① Series No.
- ② Connector type: WV=Vertical, WR=Right angle
- ③ Blank=Normal type, A=Shell type
- ④ Mounting type: SF=SMT with boss
S=SMT without boss
- ⑤ Blank=Single row, 2X=Dual row
- ⑥ No. of circuits
- ⑦ Option code: D01=Gold-flash, Taping reel

A1001 SERIES

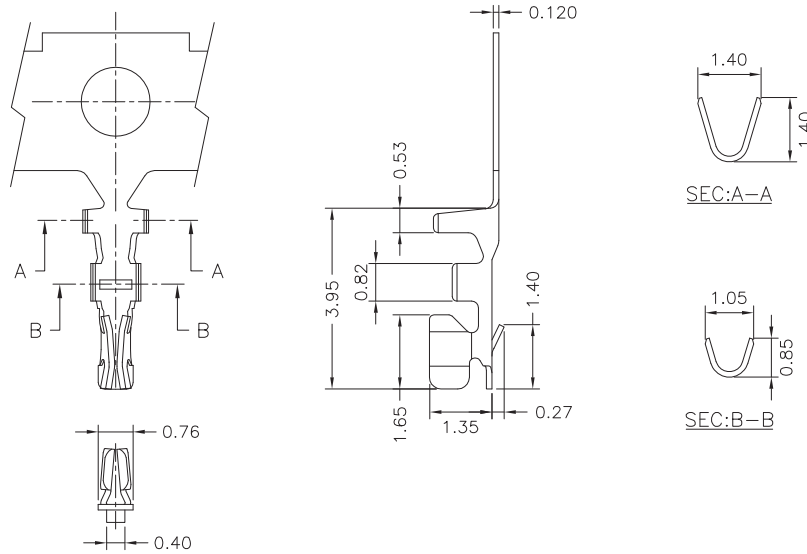
1.00mm pitch wire to board connector

A1001-T

1.00mm pitch Crimp Terminal

Reference Informations:

*Used in A1001 series Housing



A
B
C
F
ST
HRJ
DC

Ordering Information & Specifications:

Unit:mm

Part No.	Wire Range	Insulation O.D.	Material	Finish	Qty/reel
A1001-TPE	AWG#28-#32	0.80mm(max)	Phosphor Bronze	Tin-plated	15,000pcs
A1001-GPE	AWG#28-#32	0.80mm(max)	Phosphor Bronze	Gold-plated	15,000pcs

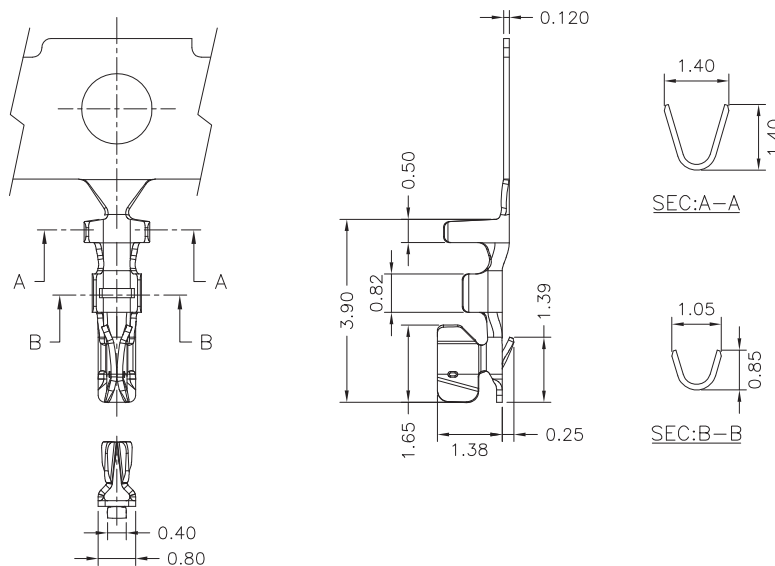
Note:E-Stamping before Tin-plated or Gold-plated

A1001-T

1.00mm pitch Crimp Terminal

Reference Informations:

*Used in A1001 series Housing



Ordering Information & Specifications:

Unit:mm

Part No.	Wire Range	Insulation O.D.	Material	Finish	Qty/reel
A1001-TPE-C	AWG#28-#32	0.80mm(max)	Phosphor Bronze	Tin-plated	15,000pcs
A1001-GPE-C	AWG#28-#32	0.80mm(max)	Phosphor Bronze	Gold-plated	15,000pcs

Note:E-Stamping before Tin-plated or Gold-plated

A1001 SERIES

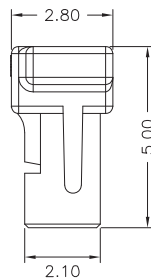
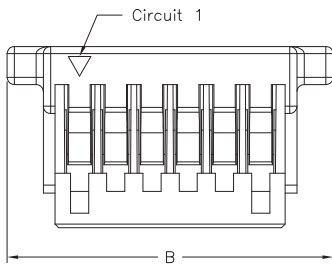
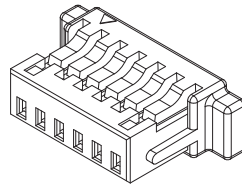
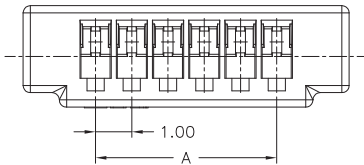
1.00mm pitch wire to board connector

A1001H — 1.00mm pitch Single Row Housing

Reference Informations:

- *Material: PBT,UL94V-0
- *Suitable A1001 series Terminal
- *Mates with A1001 series single row Wafer

	A1001H-10P	N	0	W	NP	N	10	G
		①	②	③	④	⑤	⑥	⑦
①	N=Halogen Free							
②	Material: 0=Nylon 66-V0							
③	Color: W=White							
④	Plating code: NP=Non-plating							
⑤	Plating code: N=Non-plating							
⑥	Option code: 10=With ear							
⑦	Packing code: G=Bag							



Ordering Information & Dimensions:

PART NO.	Dimensions	
	A	B
A1001H-02P-1	1.00	5.00
A1001H-03P-1	2.00	6.00
A1001H-04P-1	3.00	7.00
A1001H-05P-1	4.00	8.00
A1001H-06P-1	5.00	9.00
A1001H-07P-1	6.00	10.00
A1001H-08P-1	7.00	11.00
A1001H-09P-1	8.00	12.00
A1001H-10P-1	9.00	13.00
A1001H-11P-1	10.00	14.00
A1001H-12P-1	11.00	15.00
A1001H-13P-1	12.00	16.00
A1001H-14P-1	13.00	17.00
A1001H-15P-1	14.00	18.00
A1001H-16P-1	15.00	19.00
A1001H-17P-1	16.00	20.00
A1001H-18P-1	17.00	21.00
A1001H-19P-1	18.00	22.00
A1001H-20P-1	19.00	23.00
A1001H-24P-1	23.00	27.00

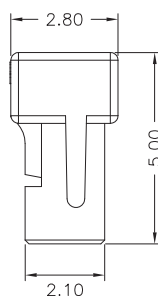
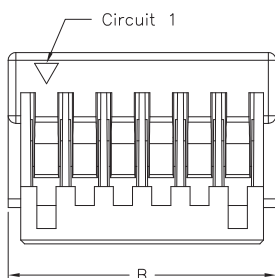
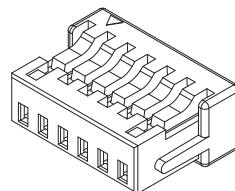
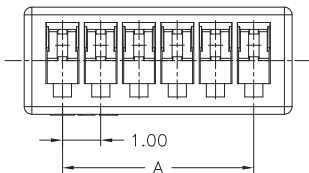
Unit:mm

A1001H — 1.00mm pitch Single Row Housing - Without Protrusions

Reference Informations:

- *Material: PBT,UL94V-0
- *Suitable A1001 series Terminal
- *Mates with A1001 series single row Wafer

	A1001H-10P	N	0	W	NP	N	20	G
		①	②	③	④	⑤	⑥	⑦
①	N=Halogen Free							
②	Material: 0=Nylon 66-V0							
③	Color: W=White							
④	Plating code: NP=Non-plating							
⑤	Plating code: N=Non-plating							
⑥	Option code: 20=Without ear							
⑦	Packing code: G=Bag							



Ordering Information & Dimensions:

PART NO.	Dimensions	
	A	B
A1001H-02P-2	1.00	3.00
A1001H-03P-2	2.00	4.00
A1001H-04P-2	3.00	5.00
A1001H-05P-2	4.00	6.00
A1001H-06P-2	5.00	7.00
A1001H-07P-2	6.00	8.00
A1001H-08P-2	7.00	9.00
A1001H-09P-2	8.00	10.00
A1001H-10P-2	9.00	11.00
A1001H-11P-2	10.00	12.00
A1001H-12P-2	11.00	13.00
A1001H-13P-2	12.00	14.00
A1001H-14P-2	13.00	15.00
A1001H-15P-2	14.00	16.00
A1001H-16P-2	15.00	17.00
A1001H-17P-2	16.00	18.00
A1001H-18P-2	17.00	19.00
A1001H-19P-2	18.00	20.00
A1001H-20P-2	19.00	21.00

Unit:mm

A1001 SERIES

1.00mm pitch wire to board connector

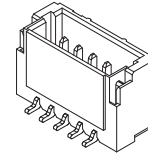
A1001WV-S

1.00mm pitch 180° Single Row Wafer - SMT TYPE

Reference Informations:

- *Material: Pin: Phosphor Bronze/Tin-plated
Solder Tabs: Brass/Tin-plated
Wafer: Nylon 6T,UL94V-0
Cap: Nylon 6T,UL94V-0

*Mates with A1001 series single row Housing



Ordering Information & Dimensions:

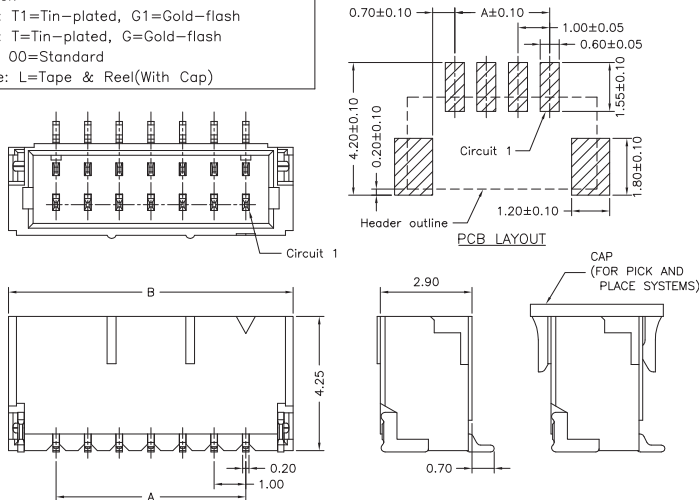
PART NO.	Dimensions	
	A	B
A1001WV-S-02P	1.00	4.00
A1001WV-S-03P	2.00	5.00
A1001WV-S-04P	3.00	6.00
A1001WV-S-05P	4.00	7.00
A1001WV-S-06P	5.00	8.00
A1001WV-S-07P	6.00	9.00
A1001WV-S-08P	7.00	10.00
A1001WV-S-09P	8.00	11.00
A1001WV-S-10P	9.00	12.00
A1001WV-S-11P	10.00	13.00
A1001WV-S-12P	11.00	14.00
A1001WV-S-13P	12.00	15.00
A1001WV-S-14P	13.00	16.00
A1001WV-S-15P	14.00	17.00
A1001WV-S-16P	15.00	18.00
A1001WV-S-17P	16.00	19.00
A1001WV-S-18P	17.00	20.00
A1001WV-S-19P	18.00	21.00
A1001WV-S-20P	19.00	22.00
A1001WV-S-24P	23.00	26.00

Unit:mm

A
B
C
F
ST
HRJ
DC

	A1001WV-S-20P	N	6	B	T1	T	00	L
		①	②	③	④	⑤	⑥	⑦

- ① N=Halogen Free
- ② Material: 6=Nylon 6T
- ③ Color: B=Black
- ④ Plating code: T1=Tin-plated, G1=Gold-flash
- ⑤ Plating code: T=Tin-plated, G=Gold-flash
- ⑥ Option code: 00=Standard
- ⑦ Packing code: L=Tape & Reel(With Cap)



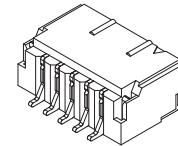
A1001WR-S

1.00mm pitch 90° Single Row Wafer - SMT TYPE

Reference Informations:

- *Material: Pin: Phosphor Bronze/Tin-plated
Solder Tabs: Brass/Tin-plated
Wafer: Nylon 6T,UL94V-0

*Mates with A1001 series single row Housing



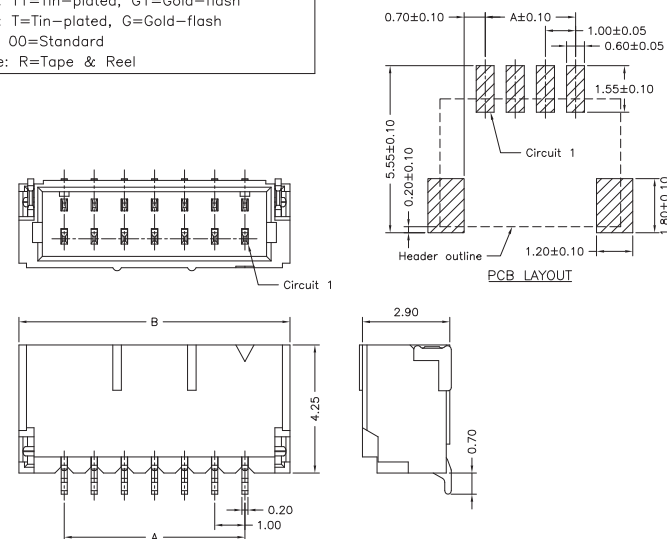
Ordering Information & Dimensions:

PART NO.	Dimensions	
	A	B
A1001WR-S-02P	1.00	4.00
A1001WR-S-03P	2.00	5.00
A1001WR-S-04P	3.00	6.00
A1001WR-S-05P	4.00	7.00
A1001WR-S-06P	5.00	8.00
A1001WR-S-07P	6.00	9.00
A1001WR-S-08P	7.00	10.00
A1001WR-S-09P	8.00	11.00
A1001WR-S-10P	9.00	12.00
A1001WR-S-11P	10.00	13.00
A1001WR-S-12P	11.00	14.00
A1001WR-S-13P	12.00	15.00
A1001WR-S-14P	13.00	16.00
A1001WR-S-15P	14.00	17.00
A1001WR-S-16P	15.00	18.00
A1001WR-S-17P	16.00	19.00
A1001WR-S-18P	17.00	20.00
A1001WR-S-19P	18.00	21.00
A1001WR-S-20P	19.00	22.00
A1001WR-S-24P	23.00	26.00

Unit:mm

	A1001WR-S-20P	N	6	B	T1	T	00	R
		①	②	③	④	⑤	⑥	⑦

- ① N=Halogen Free
- ② Material: 6=Nylon 6T
- ③ Color: B=Black
- ④ Plating code: T1=Tin-plated, G1=Gold-flash
- ⑤ Plating code: T=Tin-plated, G=Gold-flash
- ⑥ Option code: 00=Standard
- ⑦ Packing code: R=Tape & Reel



A1001 SERIES

1.00mm pitch wire to board connector

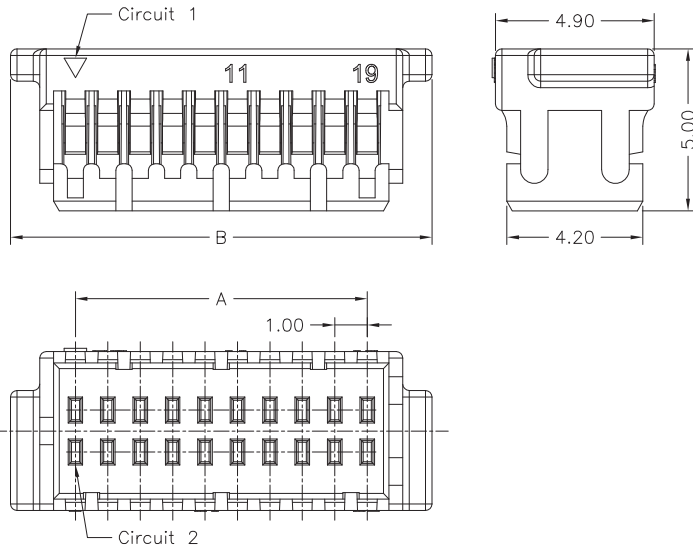
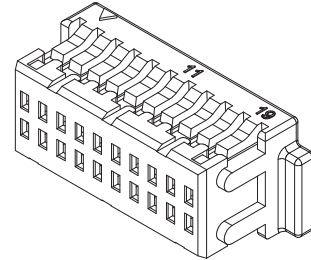
A1001H-2

1.00mm pitch Dual Row Housing

Reference Informations:

- *Material: PBT,UL94V-0
- *Suitable A1001 series Terminal
- *Mates with A1001 series dual row Wafer

A1001H-2X10P		N	0	W	NP	N	00	G
①	②	③	④	⑤	⑥	⑦		
① N=Halogen Free								
② Material: 0=Nylon 66-V0								
③ Color: W=White								
④ Plating code: NP=Non-plating								
⑤ Plating code: N=Non-plating								
⑥ Option code: 00=Standard								
⑦ Packing code: G=Bag								



Ordering Information & Dimensions:

PART NO.	Dimensions	
	A	B
A1001H-2X06P	5.00	9.00
A1001H-2X08P	7.00	11.00
A1001H-2X09P	8.00	12.00
A1001H-2X10P	9.00	13.00
A1001H-2X15P	14.00	18.00
A1001H-2X20P	19.00	23.00
A1001H-2X25P	24.00	28.00

Unit:mm

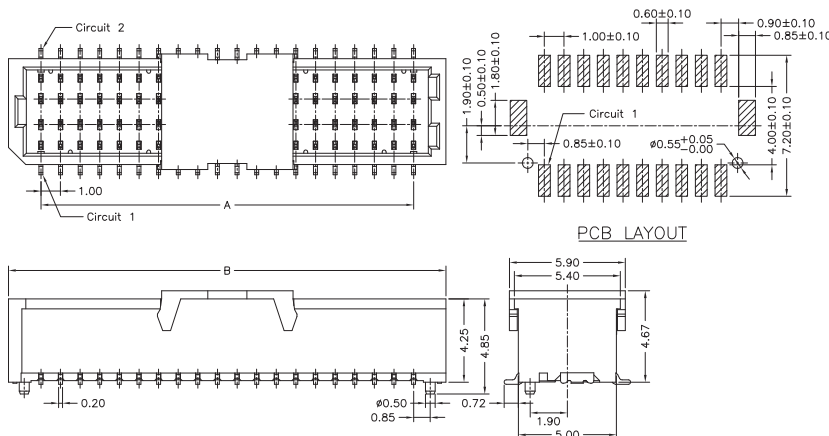
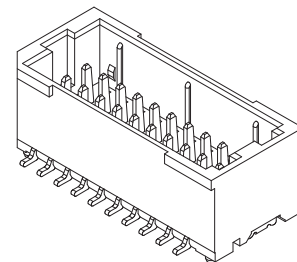
A1001WV-SF-2

1.00mm pitch 180° Dual Row Wafer With Boss - SMT TYPE

Reference Informations:

- *Material: Pin: Phosphor Bronze/Gold-flash
Solder Tabs: Brass/Gold-flash
Wafer: Nylon 6T,UL94V-0
Cap: Nylon 6T,UL94V-0
- *Mates with A1001 series dual row Housing

A1001WV-SF-2X20P		N	6	B	G1	G	00	L
①	②	③	④	⑤	⑥	⑦		
① N=Halogen Free								
② Material: 6=Nylon 6T								
③ Color: B=Black								
④ Plating code: G1=Gold-flash								
⑤ Plating code: G=Gold-flash, T=Tin-plated								
⑥ Option code: 00=Standard								
⑦ Packing code: L=Tape & Reel(With Cap)								



Ordering Information & Dimensions:

PART NO.	Dimensions	
	A	B
A1001WV-SF-2X06PD01	5.00	8.30
A1001WV-SF-2X08PD01	7.00	10.30
A1001WV-SF-2X10PD01	9.00	12.30
A1001WV-SF-2X15PD01	14.00	17.30
A1001WV-SF-2X20PD01	19.00	22.30
A1001WV-SF-2X25PD01	24.00	27.30

Unit:mm

A1001 SERIES

1.00mm pitch wire to board connector

A1001WV-S-2

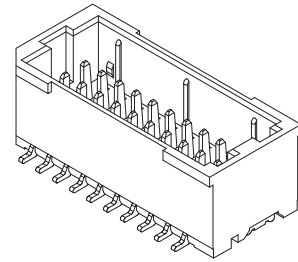
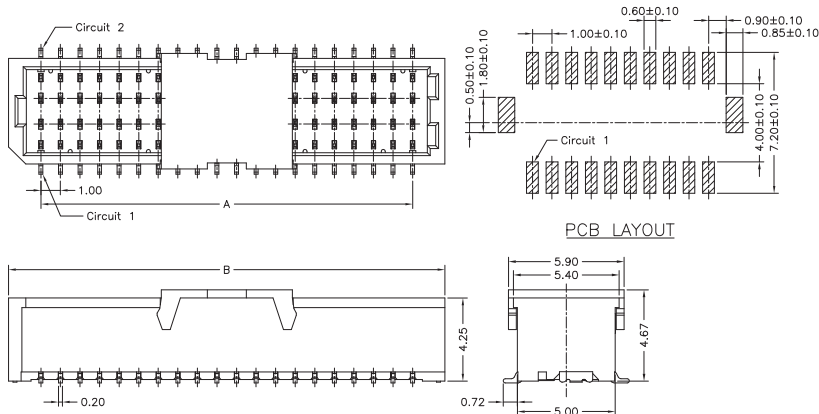
1.00mm pitch 180° Dual Row Wafer - SMT TYPE

Reference Informations:

- *Material: Pin: Phosphor Bronze/Gold-flash
Solder Tabs: Brass/Gold-flash
Wafer: Nylon 6T,UL94V-0
Cap: Nylon 6T,UL94V-0

*Mates with A1001 series dual row Housing **g**

	A1001WV-S-2X20P	N	6	B	G1	G	00	L
		①	②	③	④	⑤	⑥	⑦
① N=Halogen Free								
② Material: 6=Nylon 6T								
③ Color: B=Black								
④ Plating code: G1=Gold-flash								
⑤ Plating code: G=Gold-flash, T=Tin-plated								
⑥ Option code: 00=Standard								
⑦ Packing code: L=Tape & Reel(With Cap)								



Ordering Information & Dimensions:

PART NO.	Dimensions	
	A	B
A1001WV-S-2X06PD01	5.00	8.30
A1001WV-S-2X08PD01	7.00	10.30
A1001WV-S-2X10PD01	9.00	12.30
A1001WV-S-2X15PD01	14.00	17.30
A1001WV-S-2X20PD01	19.00	22.30
A1001WV-S-2X25PD01	24.00	27.30

Unit:mm

A1001WR-S-2

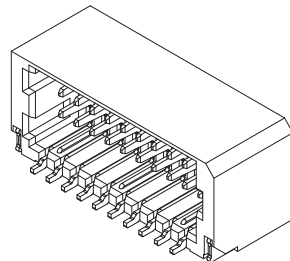
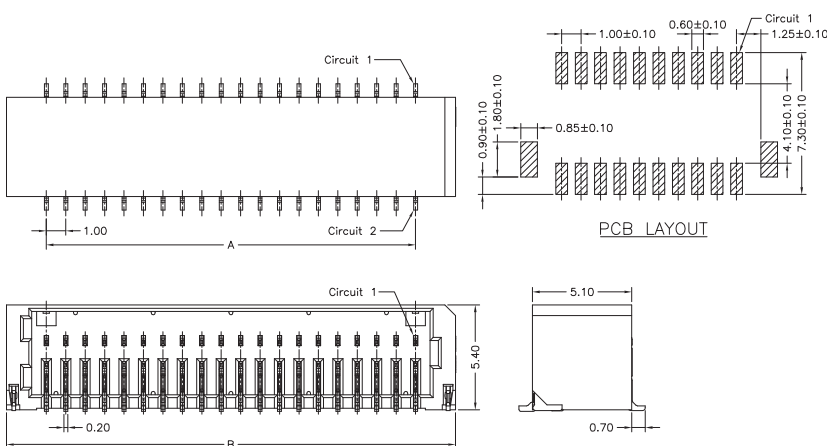
1.00mm pitch 90° Dual Row Wafer - SMT TYPE

Reference Informations:

- *Material: Pin: Phosphor Bronze/Gold-flash
Solder Tabs: Brass/Gold-flash
Wafer: Nylon 6T,UL94V-0

*Mates with A1001 series dual row Housing

	A1001WR-S-2X20P	N	6	B	G1	G	00	R
		①	②	③	④	⑤	⑥	⑦
① N=Halogen Free								
② Material: 6=Nylon 6T								
③ Color: B=Black								
④ Plating code: G1=Gold-flash								
⑤ Plating code: G=Gold-flash, T=Tin-plated								
⑥ Option code: 00=Standard								
⑦ Packing code: R=Tape & Reel								



Ordering Information & Dimensions:

PART NO.	Dimensions	
	A	B
A1001WR-S-2X06PD01	5.00	9.10
A1001WR-S-2X08PD01	7.00	11.10
A1001WR-S-2X10PD01	9.00	13.10
A1001WR-S-2X15PD01	14.00	18.10
A1001WR-S-2X20PD01	19.00	23.10
A1001WR-S-2X25PD01	24.00	28.10

Unit:mm

A
B
C
F
ST
HRJ
DC

A1001 SERIES

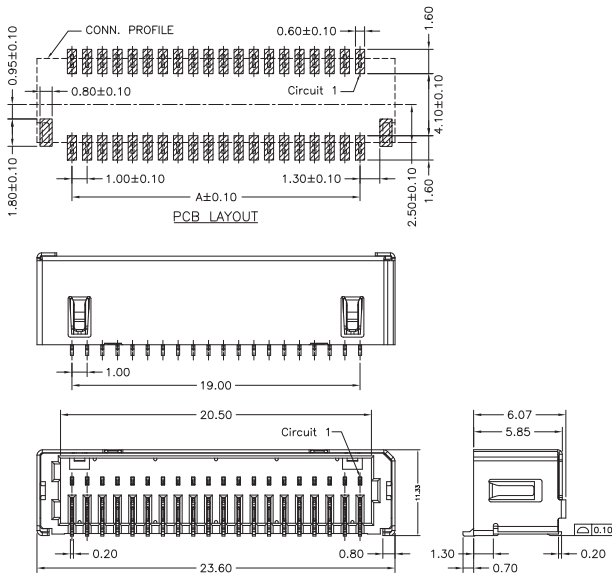
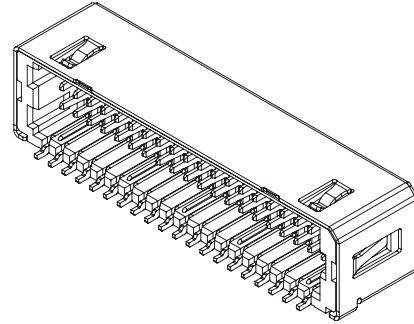
1.00mm pitch wire to board connector

A1001WRA-S-2X20P

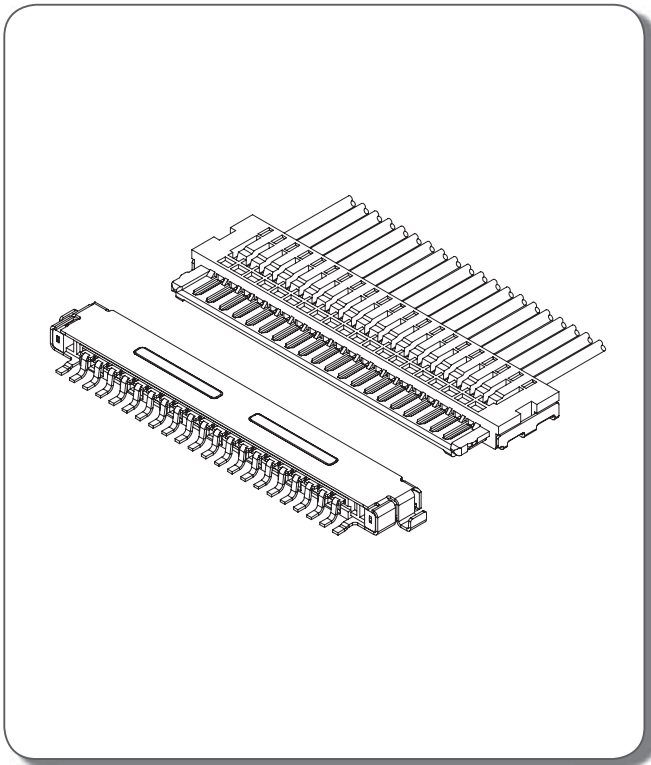
1.00mm pitch 90° Dual Row Wafer -
SMT TYPE

Reference Informations:

- *Material: Pin: Phosphor Bronze/Gold-flash
Shell: Copper Alloy
Wafer: Nylon 6T,UL94V-0
- *Mates with A1001 series dual row Housing



A1001WRA-S-2X20P	N	6	B	G1	N	00	R
	①	②	③	④	⑤	⑥	⑦
①	N=Halogen Free						
②	Material: 6=Nylon 6T						
③	Color: B=Black						
④	Plating code: G1=Gold-flash						
⑤	Plating code: N=Non-plating						
⑥	Option code: 00=Standard						
⑦	Packing code: R=Tape & Reel						



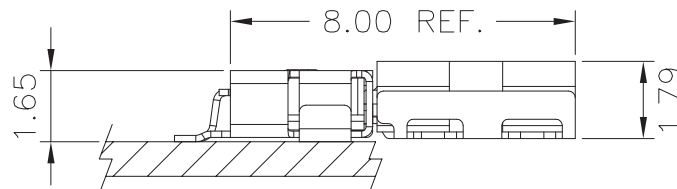
Specifications

Current rating: 1A AC,DC
 Voltage rating: 200V AC,DC
 Temperature range: -25°C ~ +85°C
 Contact resistance: 40mΩ Max.
 Insulation resistance: 100MΩ Min.
 Withstanding voltage: 500V AC/minute

A
B
C
F
ST
HRJ
DC

Standards

Assembly layout



Ordering code

① ② ③ ④ ⑤
A1006 - G P E - A

- ① Series No.
- ② Plating code: G=Gold-plated
- ③ Material: P=Phosphor bronze
- ④ E=Stamping before plating
- ⑤ Option code: -A=A Type

① ② ③
A1006 H - 30P

- ① Series No.
- ② H=Housing
- ③ No. of circuits

① ② ③ ④
A1006 WR - S - 30P

- ① Series No.
- ② Connector type: WR=Right angle
- ③ Mounting type: S=SMT
- ④ No. of circuits

A1006 SERIES

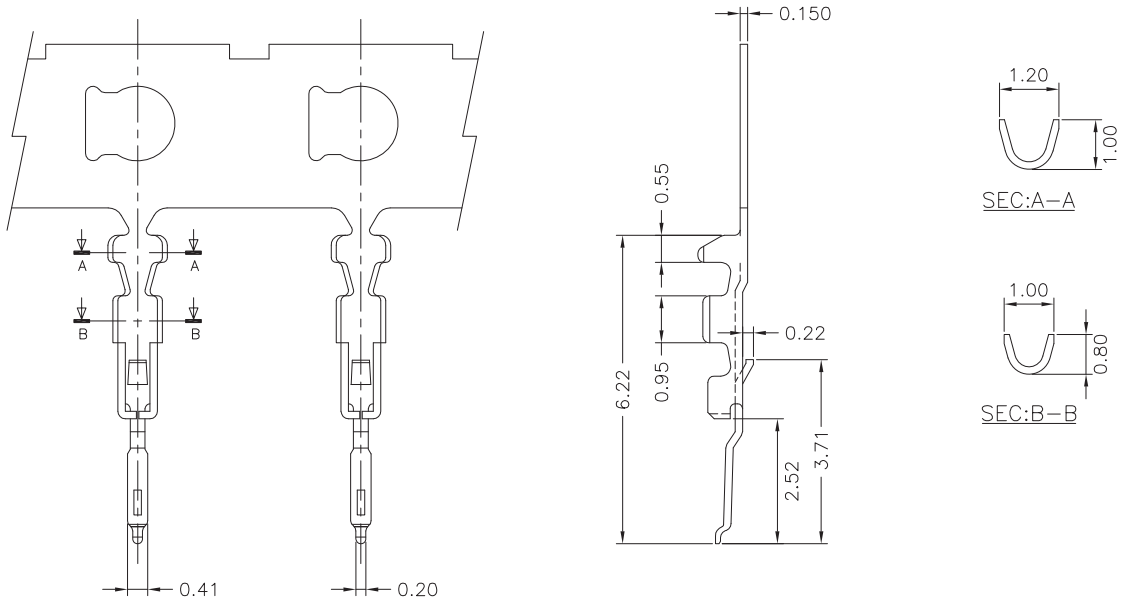
1.00mm pitch wire to board connector

A1006-T

1.00mm pitch Crimp Terminal

Reference Informations:

*Used in A1006 series Housing



Ordering Information & Specifications:

Unit:mm

Part No.	Wire Range	Insulation O.D.	Material	Finish	Qty/reel
A1006-GPE-A	AWG#28-#36	0.50mm(max)	Phosphor Bronze	Gold-plated	20,000pcs

Note:E-Stamping before Gold-plated

A1006H

1.00mm pitch Housing

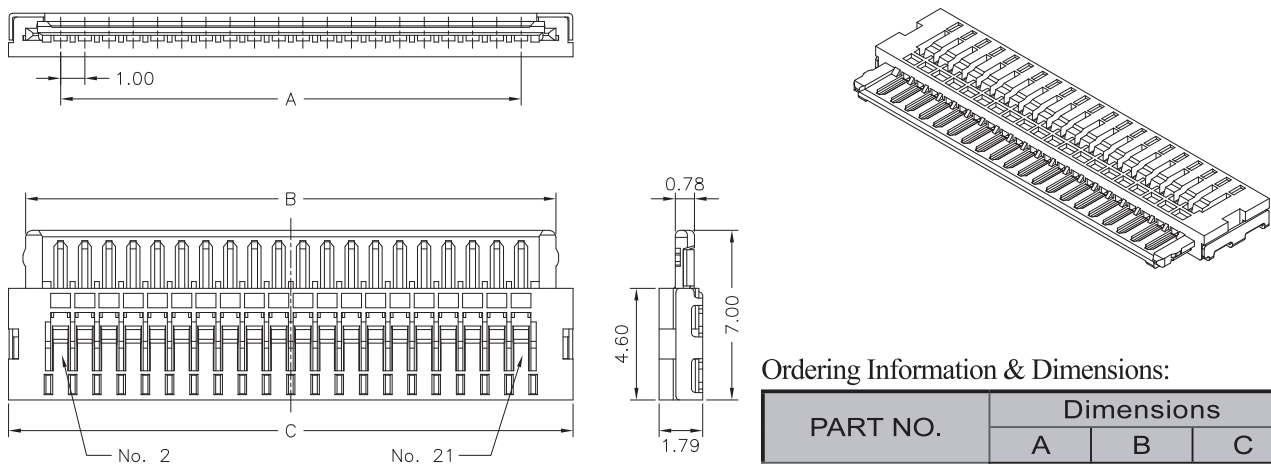
Reference Informations:

*Material: Housing: Nylon 46,UL94V-0

Shell: Phosphor Bronze/Nickel-plated

*Suitable A1006 series Terminal

*Mates with A1006 series Wafer



Ordering Information & Dimensions:

PART NO.	Dimensions		
	A	B	C
A1006H-20P	19.00	21.88	23.28
A1006H-30P	29.00	31.88	33.28

Unit:mm

A1006WR-S

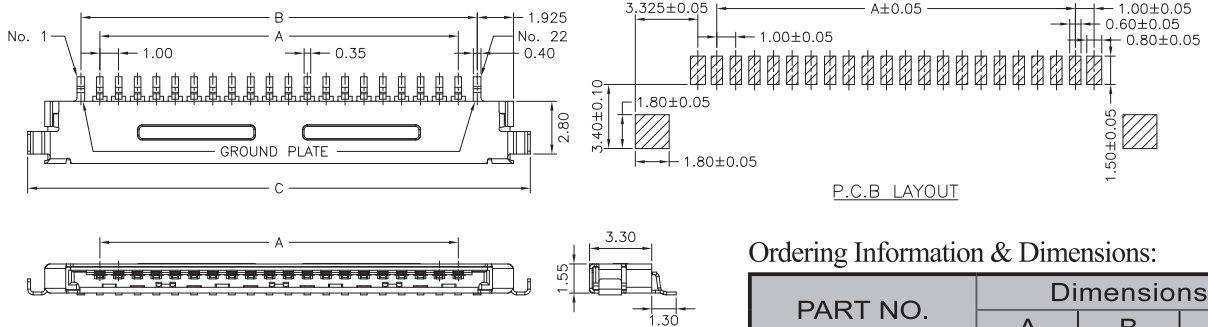
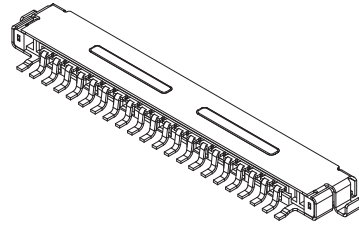
1.00mm pitch 90° Wafer - SMT TYPE

Reference Informations:

- *Material: Pin: Phosphor Bronze/Gold-plated
Shell: Phosphor Bronze/Tin-plated
Wafer: LCP,UL94V-0

*Mates with A1006 series Housing

	A1006WR-S-30P	N	L	N	G2	T	00	R
		①	②	③	④	⑤	⑥	⑦
① N=Halogen Free ② Material: L=LCP ③ Color: N=Natural(Beige) ④ Plating code: G2=Gold-plated 3u" ⑤ Plating code: T=Tin-plated ⑥ Option code: 00=Standard ⑦ Packing code: R=Tape & Reel								



P.C.B LAYOUT

Ordering Information & Dimensions:

PART NO.	Dimensions		
	A	B	C
A1006WR-S-20P	19.00	21.00	26.65
A1006WR-S-30P	29.00	31.00	36.65

Unit:mm

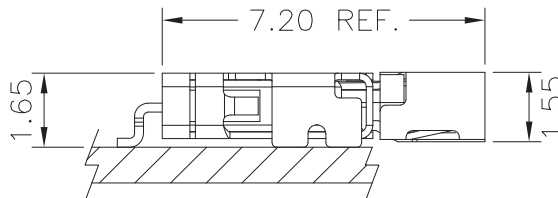
A
B
C
F
ST
HRJ
DC

Specifications

Current rating: 1A AC,DC
Voltage rating: 100V AC,DC
Temperature range: -25°C ~ +85°C
Contact resistance: 30mΩ Max.
Insulation resistance: 500MΩ Min.
Withstanding voltage: 500V AC/minute

Standards

Assembly layout



Ordering code

① ② ③ ④
A1007 - G P E

- ① Series No.
- ② Plating code: G=Gold-plated
- ③ Material: P=Phosphor bronze
- ④ E=Stamping before plating

① ② ③ ④
A1007 WR - S - 08P

- ① Series No.
- ② Connector type: WR=Right angle
- ③ Mounting type: S=SMT
- ④ No. of circuits

① ② ③
A1007 H - 08P

- ① Series No.
- ② H=Housing
- ③ No. of circuits

A1007 SERIES

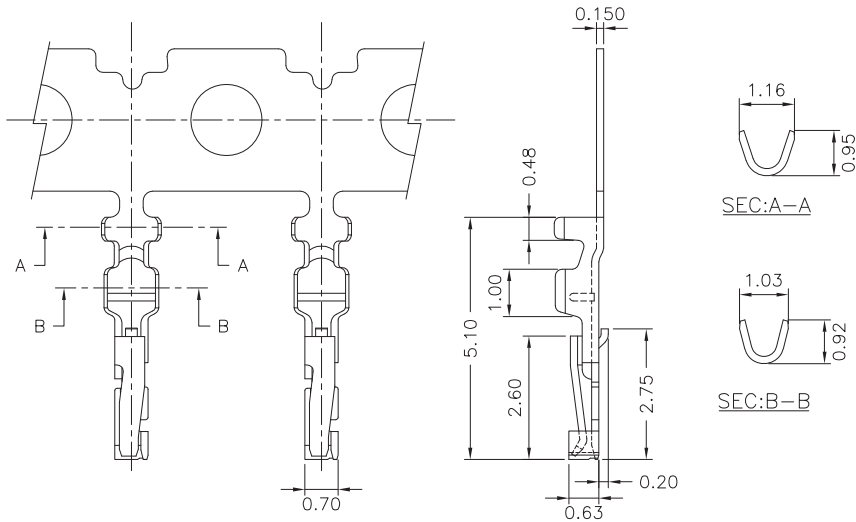
1.00mm pitch wire to board connector

A1007-T

1.00mm pitch Crimp Terminal

Reference Informations:

*Used in A1007 series Housing



Ordering Information & Specifications:

Unit:mm

Part No.	Wire Range	Insulation O.D.	Material	Finish	Qty/reel
A1007-GPE	AWG#28-#32	0.60mm(max)	Phosphor Bronze	Gold-plated	15,000pcs

Note:E-Stamping before Gold-plated

A1007H

1.00mm pitch Housing

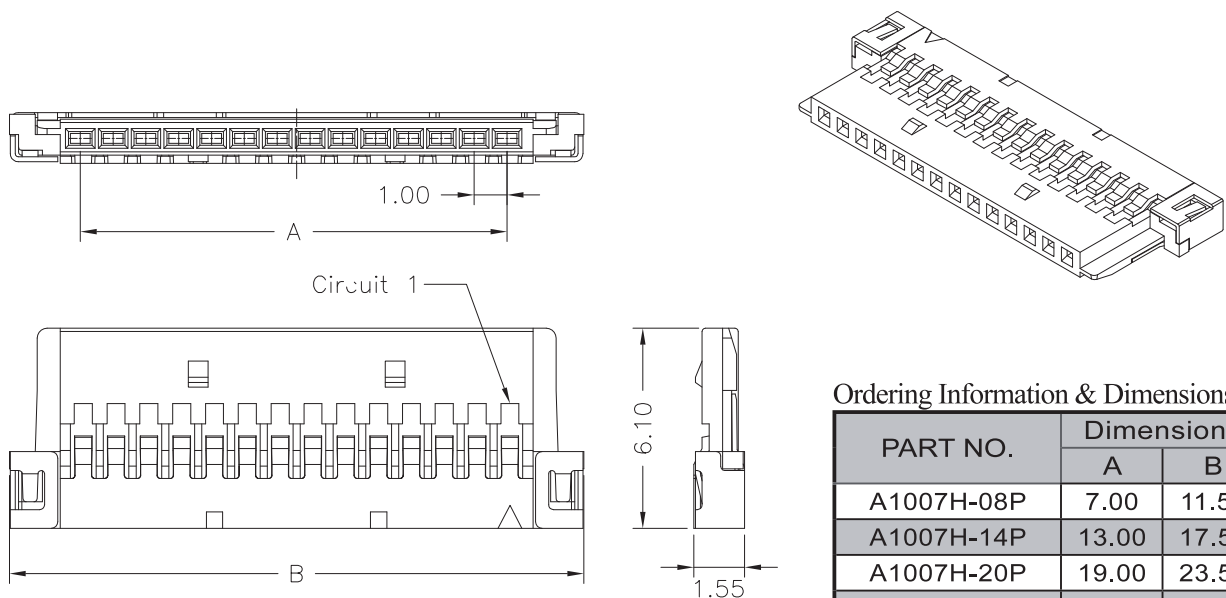
Reference Informations:

*Material: Housing: Nylon 66,UL94V-0

Shell: Phosphor Bronze/Nickel-plated

*Suitable A1007 series Terminal

*Mates with A1007 series Wafer



Ordering Information & Dimensions:

PART NO.	Dimensions	
	A	B
A1007H-08P	7.00	11.50
A1007H-14P	13.00	17.50
A1007H-20P	19.00	23.50
A1007H-30P	29.00	33.50

Unit:mm

A1007 SERIES

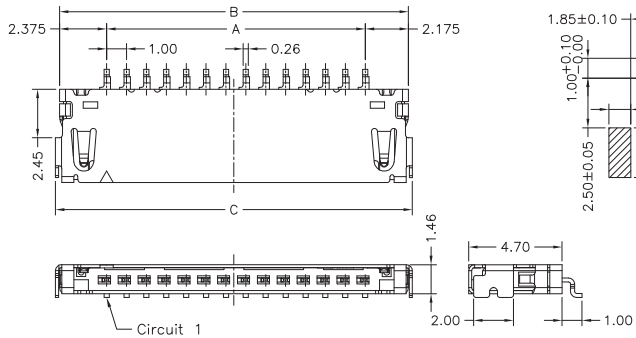
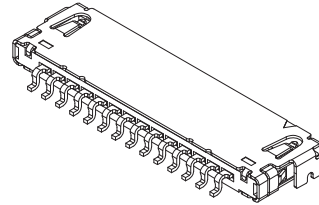
1.00mm pitch wire to board connector

A1007WR-S

1.00mm pitch 90° Wafer - SMT TYPE

Reference Informations:

- *Material: Pin: Phosphor Bronze/Gold-plated
Shell: Phosphor Bronze/Tin-plated
Wafer: Nylon 6T,UL94V-0
- *Mates with A1007 series Housing



P.C.B. LAYOUT

Ordering Information & Dimensions:

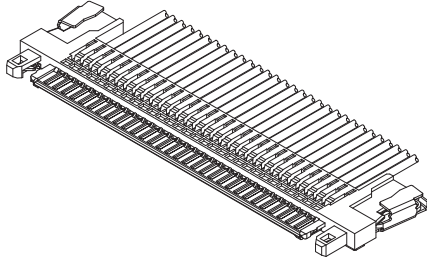
	A1007WR-S-08P	N	6	B	G2	T	00	R
		①	②	③	④	⑤	⑥	⑦

① N=Halogen Free
 ② Material: 6=Nylon 6T
 ③ Color: B=Black
 ④ Plating code: G2=Gold-plated 3u"
 ⑤ Plating code: T=Tin-plated
 ⑥ Option code: 00=Standard
 ⑦ Packing code: R=Tape & Reel

PART NO.	Dimensions		
	A	B	C
A1007WR-S-08P	7.00	11.55	11.95
A1007WR-S-14P	13.00	17.55	17.95
A1007WR-S-20P	19.00	23.55	23.95
A1007WR-S-30P	29.00	33.55	33.95

Unit:mm

A
B
C
F
ST
HRJ
DC



Specifications

Current rating: 1A AC,DC
Voltage rating: 200V AC,DC
Temperature range: -25°C ~ +85°C
Contact resistance: 40mΩ Max.
Insulation resistance: 100MΩ Min.
Withstanding voltage: 500V AC/minute

A
B
C
F
ST
HRJ
DC

Standards

Ordering code

① ② ③
A1008 H-30P

- ① Series No.
- ② H=Housing
- ③ No. of circuits

A1008 SERIES

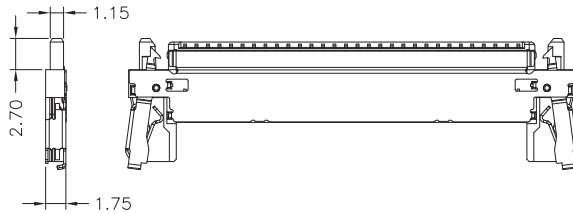
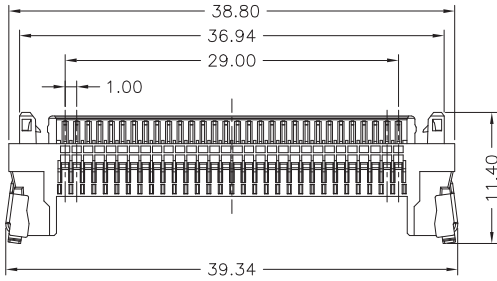
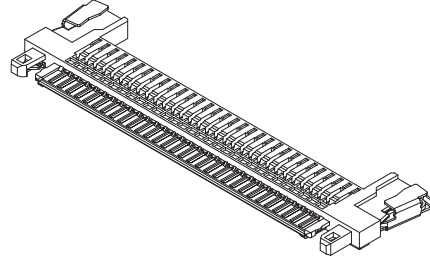
1.00mm pitch wire to board connector

A1008H-30P

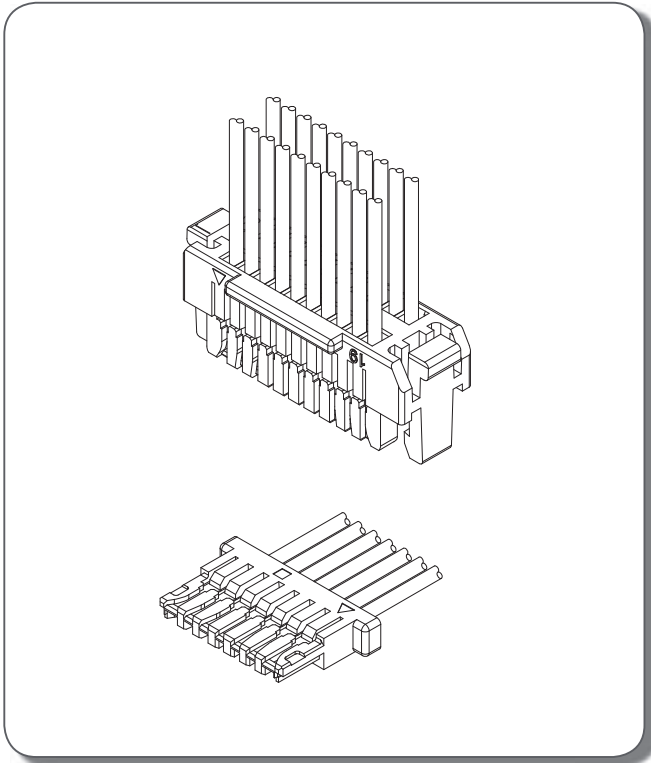
1.00mm pitch Housing

Reference Informations:

- *Material: Housing: Nylon 46,UL94V-0
Shell: Stainless
Lock lever: Stainless
- *Suitable A1006 series Terminal



A
B
C
F
ST
HRJ
DC



Specifications

Current rating: 1A AC,DC
Voltage rating: 50V AC,DC
Temperature range: -25°C ~ +85°C
Contact resistance: 20mΩ Max.
Insulation resistance: 100MΩ Min.
Withstanding voltage: 500V AC/minute

A
B
C
F
ST
HRJ
DC

Ordering code

① ② ③ ④
A1009-T P E

- ① Series No.
- ② Plating code: T=Tin-plated, G=Gold-flash
- ③ Material: P=Phosphor bronze
- ④ E=Stamping before plating

① ② ③ ④ ⑤
A1009 H A-2X 20P

- ① Series No.
- ② H=Housing
- ③ Blank=Without lock structure type
A=With lock structure type
- ④ Blank=Single row, 2X=Dual row
- ⑤ No. of circuits

A1009 SERIES

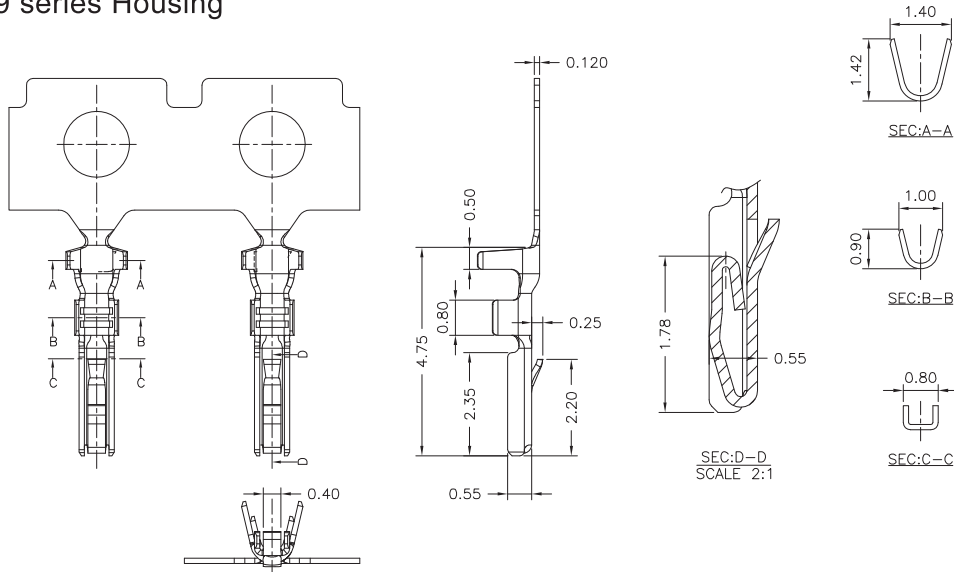
1.00mm pitch wire to board connector

A1009-T

1.00mm pitch Crimp Terminal

Reference Informations:

*Used in A1009 series Housing



Ordering Information & Specifications:

Unit:mm

Part No.	Wire Range	Insulation O.D.	Material	Finish	Qty/reel
A1009-TPE	AWG#28-#32	0.80mm(max)	Phosphor Bronze	Tin-plated	15,000pcs
A1009-GPE	AWG#28-#32	0.80mm(max)	Phosphor Bronze	Gold-flash	15,000pcs

Note:E-Stamping before Tin-plated or Gold-flash

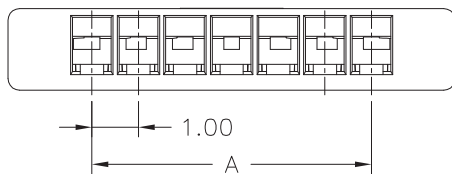
A1009H

1.00mm pitch Single Row Housing

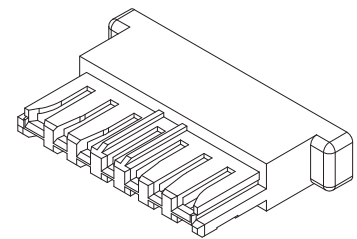
Reference Informations:

*Material: PBT,UL94V-0

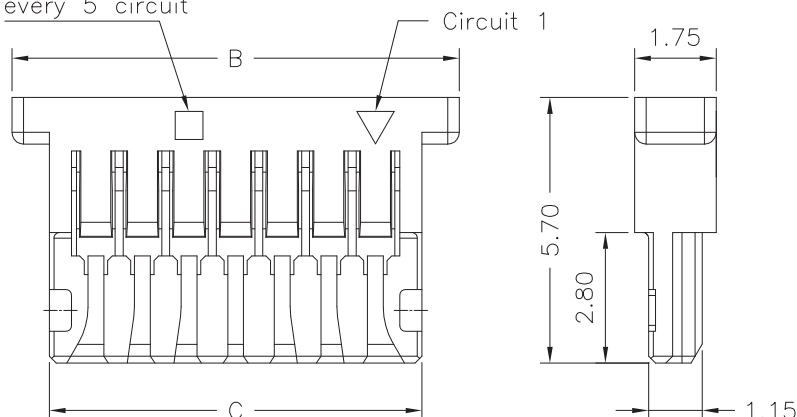
*Suitable A1009 series Terminal



	A1009H-20P N 0 W NP N 00 G						
	①	②	③	④	⑤	⑥	⑦
①	N=Halogen Free						
②	Material: 0=Nylon 66-V0						
③	Color: W=White						
④	Plating code: NP=Non-plating						
⑤	Plating code: N=Non-plating						
⑥	Option code: 00=Standard						
⑦	Packing code: G=Bag						



Marking by every 5 circuit



Ordering Information & Dimensions:

PART NO.	Dimensions		
	A	B	C
A1009H-02P	---	4.60	3.00
A1009H-06P	5.00	8.60	7.00
A1009H-07P	6.00	9.60	8.00
A1009H-14P	13.00	16.60	15.00
A1009H-16P	15.00	18.60	17.00
A1009H-20P	19.00	22.60	21.00
A1009H-22P	21.00	24.60	23.00
A1009H-26P	25.00	28.60	27.00
A1009H-30P	29.00	32.60	31.00

Unit:mm

A1009 SERIES

1.00mm pitch wire to board connector

A1009HA

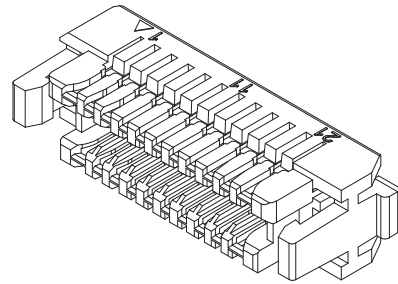
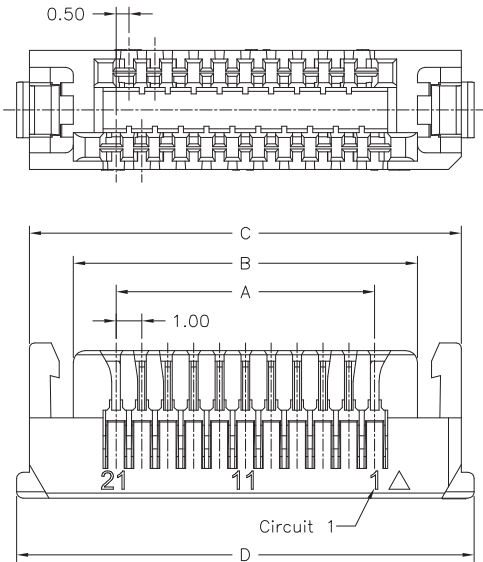
—1.00mm pitch Housing With Lock—

Reference Informations:

*Material: PBT,UL94V-0

*Suitable A1009 series Terminal

	A1009HA-21P N 0 W NP N 00 G						
	①	②	③	④	⑤	⑥	⑦
①	N=Halogen Free						
②	Material: 0=Nylon 66-V0						
③	Color: W=White						
④	Plating code: NP=Non-plating						
⑤	Plating code: N=Non-plating						
⑥	Option code: 00=Standard						
⑦	Packing code: G=Bag						



Ordering Information & Dimensions:

PART NO.	Dimensions			
	A	B	C	D
A1009HA-21P	10.00	13.30	16.70	17.70
A1009HA-31P	15.00	18.30	21.70	22.70

Unit:mm

A1009HA-2

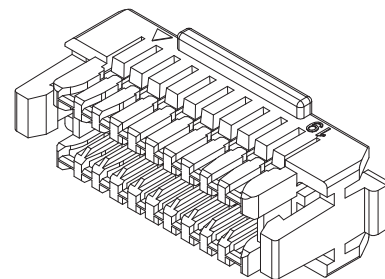
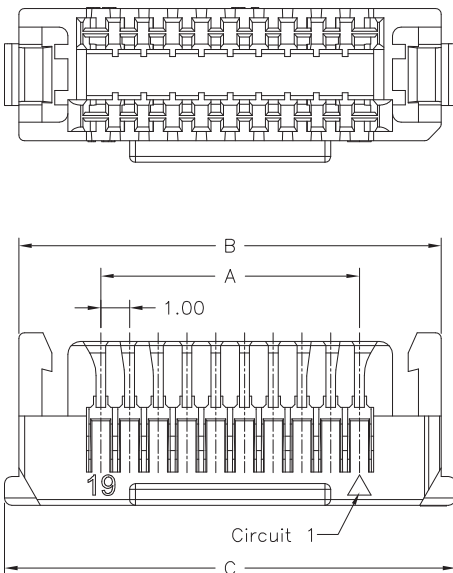
—1.00mm pitch Dual Row Housing With Lock—

Reference Informations:

*Material: PBT,UL94V-0

*Suitable A1009 series Terminal

	A1009HA-2X20P N 0 W NP N 00 G						
	①	②	③	④	⑤	⑥	⑦
①	N=Halogen Free						
②	Material: 0=Nylon 66-V0						
③	Color: W=White						
④	Plating code: NP=Non-plating						
⑤	Plating code: N=Non-plating						
⑥	Option code: 00=Standard						
⑦	Packing code: G=Bag						

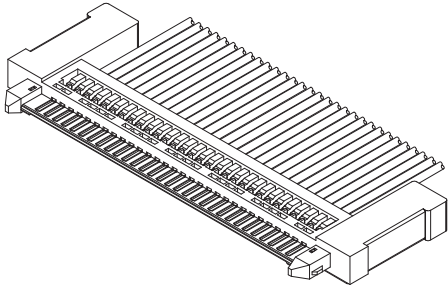


Ordering Information & Dimensions:

PART NO.	Dimensions		
	A	B	C
A1009HA-2X10P	9.00	14.70	15.70
A1009HA-2X15P	14.00	19.70	20.70
A1009HA-2X20P	19.00	24.70	25.70
A1009HA-2X25P	24.00	29.70	30.70

Unit:mm

A
B
C
F
ST
HRJ
DC



Specifications

Current rating: 1A AC,DC
Voltage rating: 200V AC,DC
Temperature range: -25°C ~ +85°C
Contact resistance: 40mΩ Max.
Insulation resistance: 100MΩ Min.
Withstanding voltage: 500V AC/minute

Standards

Ordering code

① ② ③
A1011 H-30P

- ① Series No.
- ② H=Housing
- ③ No. of circuits

A1011 SERIES

1.00mm pitch wire to board connector

A1011H-30P

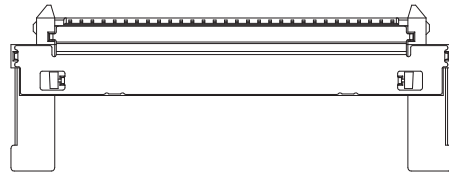
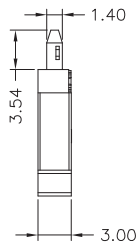
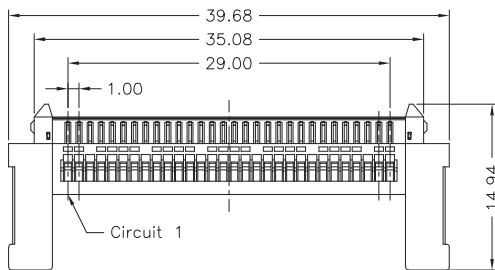
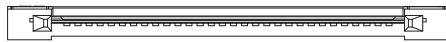
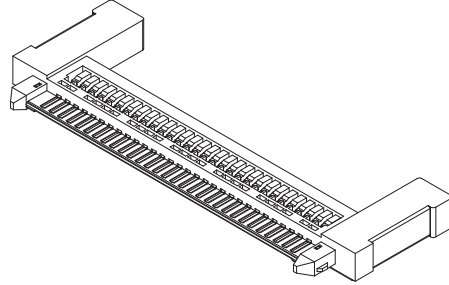
1.00mm pitch Housing

Reference Informations:

*Material: Housing: Nylon 46,UL94V-0

Shell: Stainless

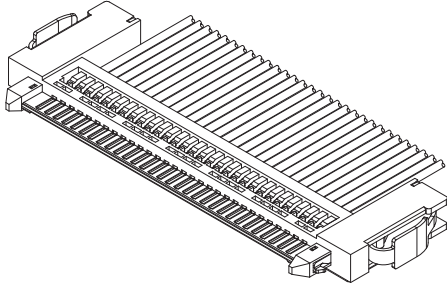
*Suitable A1006 series Terminal



A
B
C
F
ST
HRJ
DC

Specifications

Current rating: 1A AC,DC
Voltage rating: 200V AC,DC
Temperature range: -25°C ~ +85°C
Contact resistance: 40mΩ Max.
Insulation resistance: 100MΩ Min.
Withstanding voltage: 500V AC/minute



Standards

Ordering code

① ② ③
A1012 H-30P

- ① Series No.
- ② H=Housing
- ③ No. of circuits

A1012 SERIES

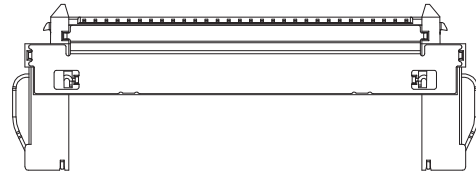
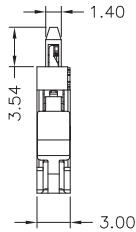
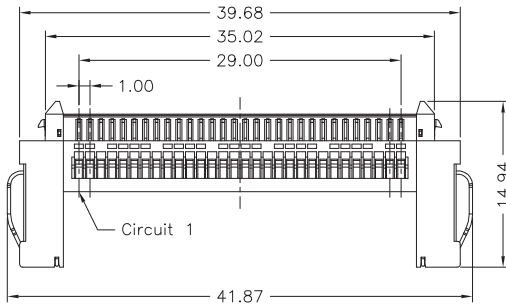
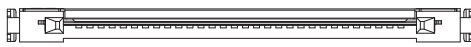
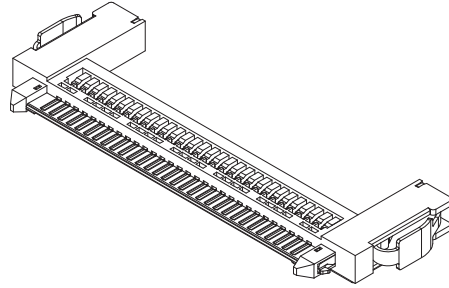
1.00mm pitch wire to board connector

A1012H-30P

1.00mm pitch Housing

Reference Informations:

- *Material: Housing: Nylon 46,UL94V-0
Shell: Stainless
Lock lever: Stainless
- *Suitable A1006 series Terminal



A
B
C
F
ST
HRJ
DC

Specifications

Current rating: 1A AC,DC
Voltage rating: 50V AC,DC
Temperature range: -25°C ~ +85°C
Contact resistance: 20mΩ Max.
Insulation resistance: 100MΩ Min.
Withstanding voltage: 500V AC/minute

Standards

Ordering code

① ② ③ ④
A1013 -G P E

- ① Series No.
- ② Plating code: G=Gold-flash
- ③ Material: P=Phosphor bronze
- ④ E=Stamping before plating

① ② ③ ④ ⑤
A1013 H-2X 20P -1

- ① Series No.
- ② H=Housing
- ③ 2X=Dual row
- ④ No. of circuits
- ⑤ Option code:
 - 1=Type 1
 - 2=Type 2

A1013 SERIES

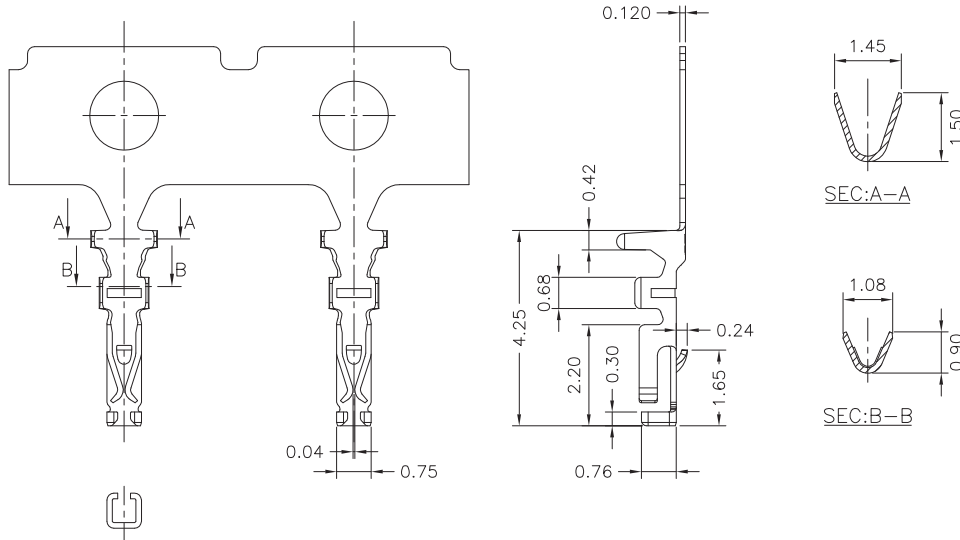
1.00mm pitch wire to board connector

A1013-T

1.00mm pitch Crimp Terminal

Reference Informations:

*Used in A1013 series Housing



A
B
C
F
ST
HRJ
DC

Ordering Information & Specifications:

Unit:mm

Part No.	Wire Range	Insulation O.D.	Material	Finish	Qty/reel
A1013-GPE	AWG#28-#32	0.80mm(max)	Phosphor Bronze	Gold-flash	15,000pcs

Note:E-Stamping before Gold-flash

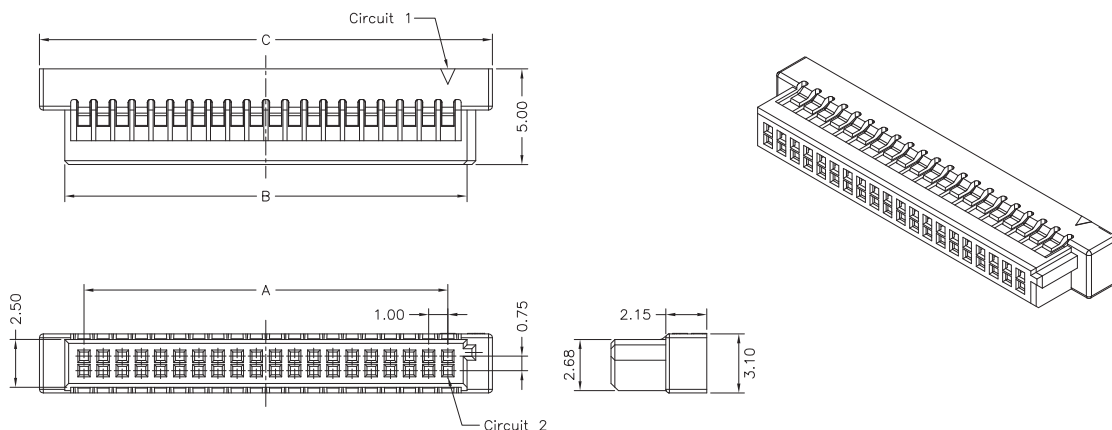
A1013H-2

1.00mm pitch Dual Row Housing

Reference Informations:

*Material: Nylon 46,UL94V-0

*Suitable A1013 series Terminal



Ordering Information & Dimensions:

PART NO.	Dimensions		
	A	B	C
A1013H-2X15P	14.00	16.00	18.65
A1013H-2X20P	19.00	21.00	23.65

Unit:mm

A1013 SERIES

1.00mm pitch wire to board connector

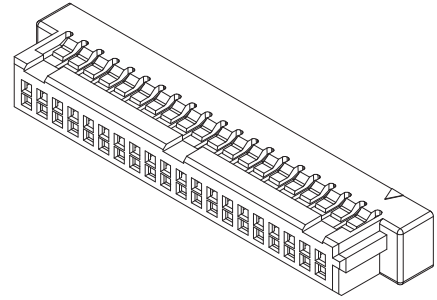
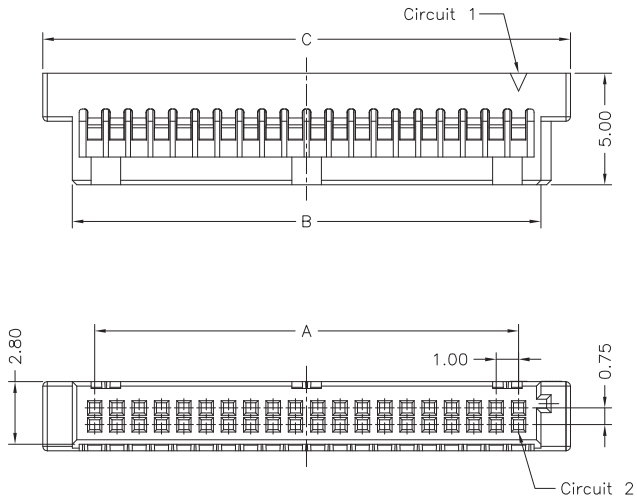
A1013H-2

1.00mm pitch Dual Row Housing

Reference Informations:

*Material: Nylon 46,UL94V-0

*Suitable A1013 series Terminal



Ordering Information & Dimensions:

PART NO.	Dimensions		
	A	B	C
A1013H-2X20P-1	19.00	21.00	23.65

Unit:mm

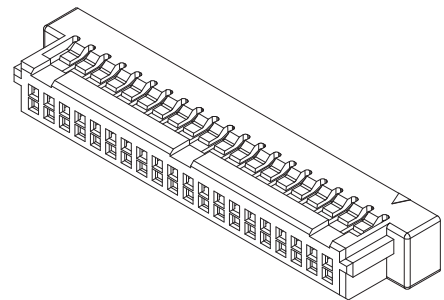
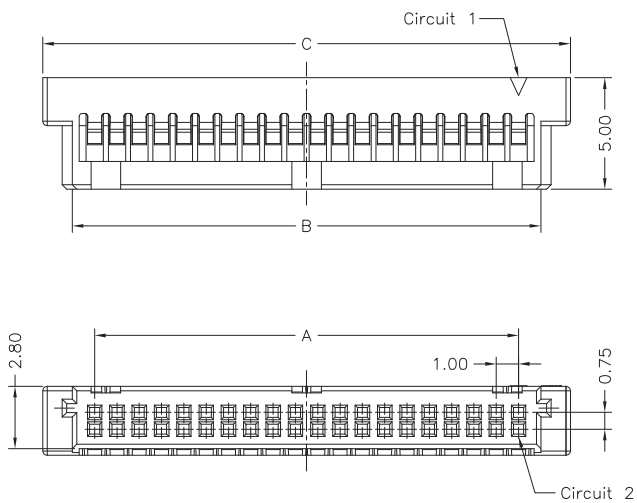
A1013H-2

1.00mm pitch Dual Row Housing

Reference Informations:

*Material: Nylon 46,UL94V-0

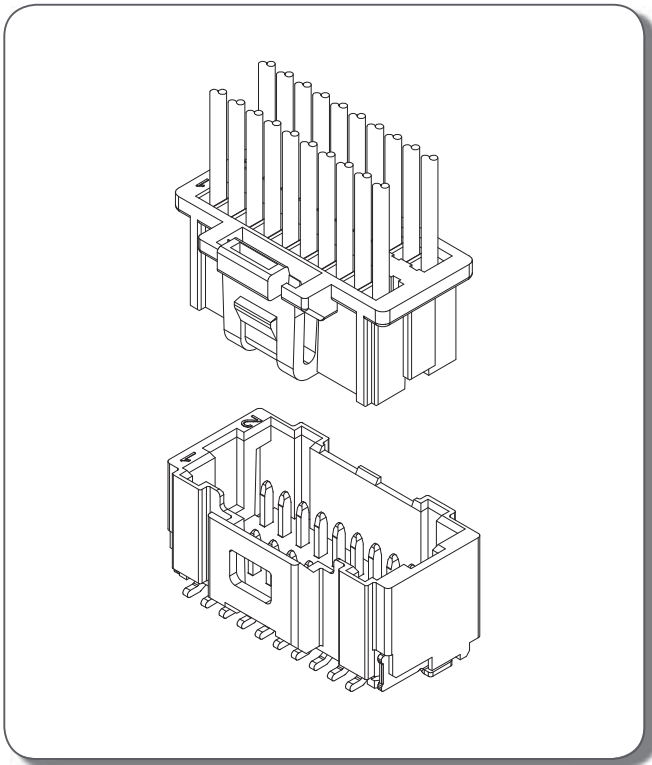
*Suitable A1013 series Terminal



Ordering Information & Dimensions:

PART NO.	Dimensions		
	A	B	C
A1013H-2X20P-2	19.00	21.00	23.65

Unit:mm

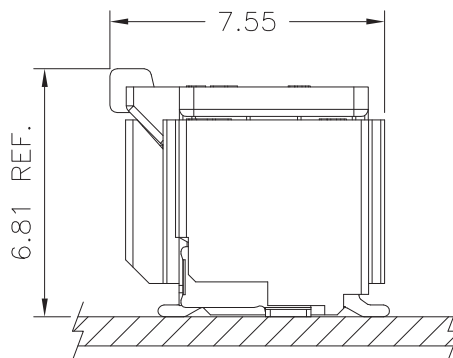


Specifications

Current rating: 1A AC,DC
 Voltage rating: 50V AC,DC
 Temperature range: -25°C ~ +85°C
 Contact resistance: 20mΩ Max.
 Insulation resistance: 100MΩ Min.
 Withstanding voltage: 250V AC/minute

A
B
C
F
ST
HRJ
DC

Assembly layout



Ordering code

① ② ③ ④ ⑤
A1014 - G P E - A

- ① Series No.
- ② Plating code: G=Gold-plated
- ③ Material: P=Phosphor bronze
- ④ E=Stamping before plating
- ⑤ Option code: -A=A type

① ② ③ ④
A1014 H - 2X 15P

- ① Series No.
- ② H=Housing
- ③ 2X=Dual row
- ④ No. of circuits

① ② ③ ④ ⑤ ⑥
A1014 WV A - S - 2X 15P

- ① Series No.
- ② Connector type: WV=Vertical
- ③ Blank=Normal type, A=A type
- ④ Mounting type: S=SMT
- ⑤ 2X=Dual row
- ⑥ No. of circuits

A1014 SERIES

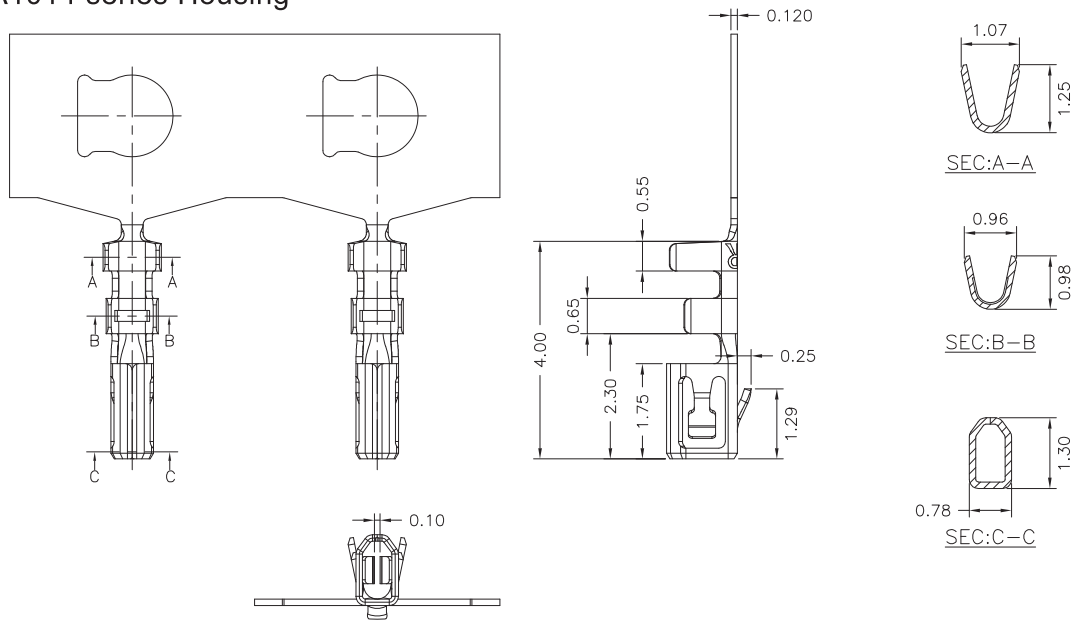
1.00mm pitch wire to board connector

A1014-T

1.00mm pitch Crimp Terminal

Reference Informations:

*Used in A1014 series Housing



Ordering Information & Specifications:

Unit:mm

Part No.	Wire Range	Insulation O.D.	Material	Finish	Qty/reel
A1014-GPE-A	AWG#28-#32	0.80mm(max)	Phosphor Bronze	Gold-plated	15,000pcs

Note:E-Stamping before Gold-plated

A1014H-2

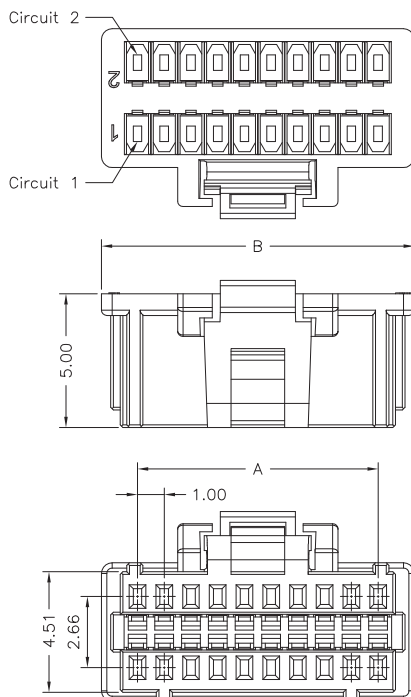
1.00mm pitch Dual Row Housing

Reference Informations:

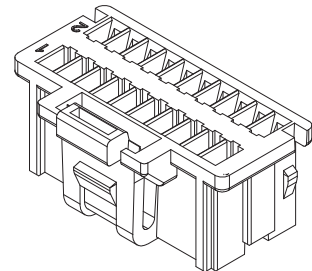
*Material: Nylon 66,UL94V-0

*Suitable A1014 series Terminal

*Mates with A1014 series dual row Wafer



A1014H-2X15P		N	0	W	NP	N	00	G
		①	②	③	④	⑤	⑥	⑦
① N=Halogen Free								
② Material: 0=Nylon 66-V0								
③ Color: W=White								
④ Plating code: NP=Non-plating								
⑤ Plating code: N=Non-plating								
⑥ Option code: 00=Standard								
⑦ Packing code: G=Bag								



Ordering Information & Dimensions:

PART NO.	Dimensions	
	A	B
A1014H-2X10P	9.00	11.70
A1014H-2X15P	14.00	16.70
A1014H-2X16P	15.00	17.70
A1014H-2X20P	19.00	21.70
A1014H-2X25P	24.00	26.70

Unit:mm

A1014 SERIES

1.00mm pitch 180° Dual Row Wafer - SMT TYPE

A1014WV-S-2

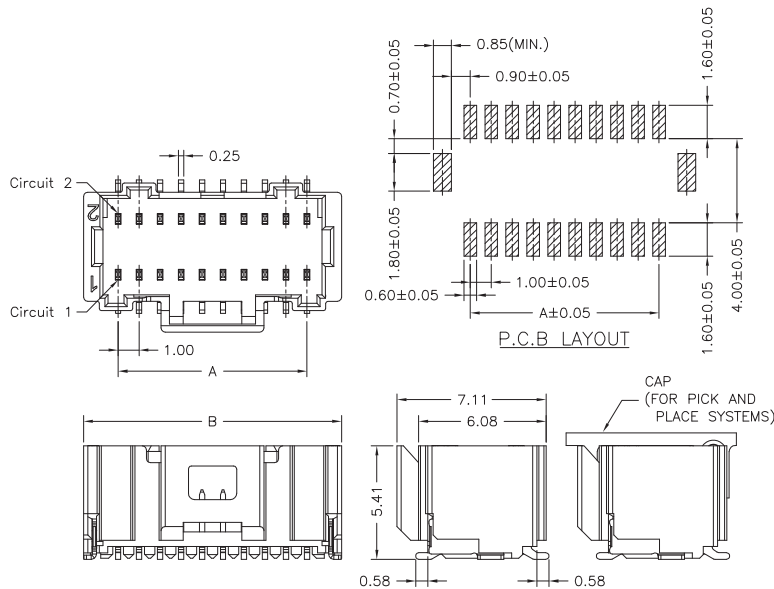
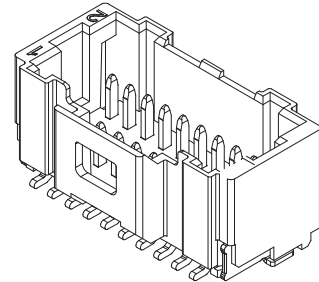
1.00mm pitch 180° Dual Row Wafer - SMT TYPE

Reference Informations:

- *Material: Pin: Phosphor Bronze/Gold-plated
Solder Tabs: Brass/Tin-plated
Wafer: Nylon 6T,UL94V-0
Cap: Nylon 6T,UL94V-0

*Mates with A1014 series dual row Housing

	A1014WV-S-2X15P		N	6	B	G2	T	00	L
	①	②	③	④	⑤	⑥	⑦		
①	N=Halogen Free								
②	Material: 6=Nylon 6T								
③	Color: B=Black								
④	Plating code: G2=Gold-plated 3u"								
⑤	Plating code: T=Tin-plated								
⑥	Option code: 00=Standard								
⑦	Packing code: L=Tape & Reel(With Cap)								



Ordering Information & Dimensions:

PART NO.	Dimensions	
	A	B
A1014WV-S-2X10P	9.00	12.30
A1014WV-S-2X15P	14.00	17.30
A1014WV-S-2X16P	15.00	18.30
A1014WV-S-2X20P	19.00	22.30
A1014WV-S-2X25P	24.00	27.30

Unit:mm

A1014WVA-S-2

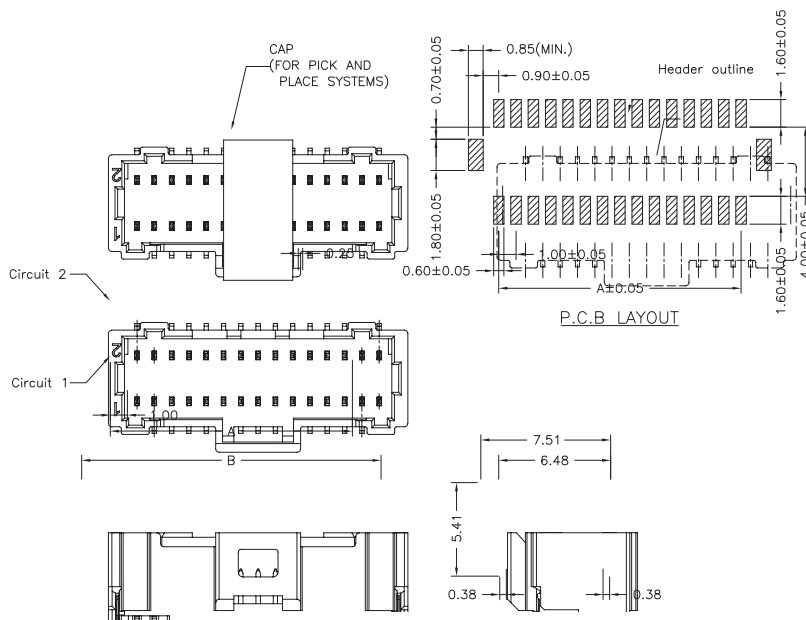
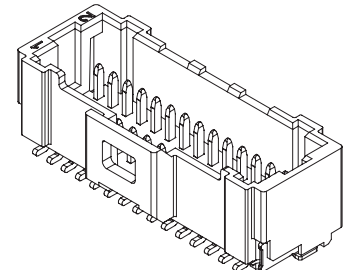
1.00mm pitch 180° Dual Row Wafer - SMT TYPE

Reference Informations:

- *Material: Pin: Phosphor Bronze/Gold-plated
Solder Tabs: Brass/Tin-plated
Wafer: Nylon 6T,UL94V-0
Cap: Nylon 6T,UL94V-0

*Mates with A1014 series dual row Housing

	A1014WVA-S-2X15P		N	6	B	G2	T	00	L
	①	②	③	④	⑤	⑥	⑦		
①	N=Halogen Free								
②	Material: 6=Nylon 6T								
③	Color: B=Black								
④	Plating code: G2=Gold-plated 3u"								
⑤	Plating code: T=Tin-plated								
⑥	Option code: 00=Standard								
⑦	Packing code: L=Tape & Reel(With Cap)								



Ordering Information & Dimensions:

PART NO.	Dimensions	
	A	B
A1014WVA-S-2X10P	9.00	12.30
A1014WVA-S-2X15P	14.00	17.30
A1014WVA-S-2X16P	15.00	18.30
A1014WVA-S-2X20P	19.00	22.30
A1014WVA-S-2X25P	24.00	27.30

Unit:mm

A
B
C
F
ST
HRJ
DC

Specifications

Current rating: 1A AC,DC
Voltage rating: 50V AC,DC
Temperature range: -25°C ~ +85°C
Contact resistance: 20mΩ Max.
Insulation resistance: 100MΩ Min.
Withstanding voltage: 500V AC/minute

Standards

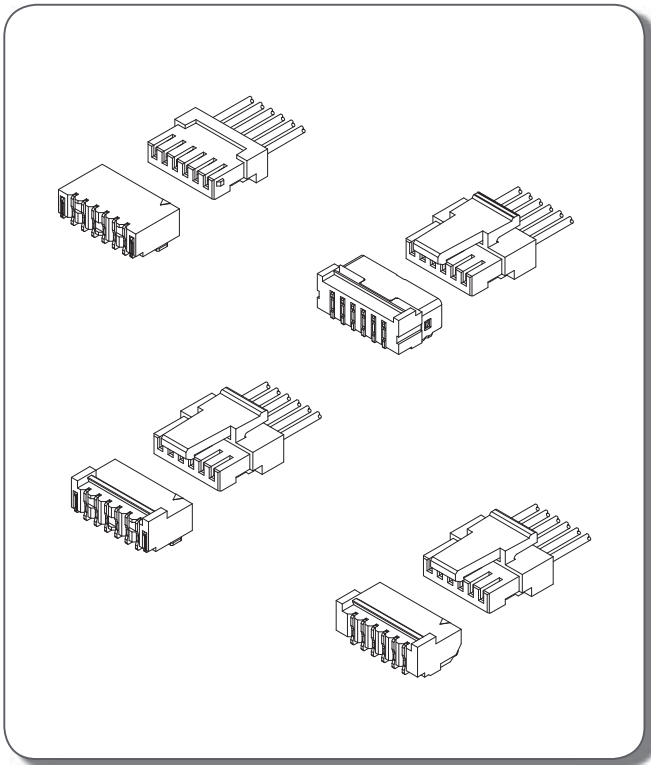
Ordering code

① ② ③ ④
A1013 -G P E

- ① Series No.
- ② Plating code: G=Gold-flash
- ③ Material: P=Phosphor bronze
- ④ E=Stamping before plating

① ② ③ ④ ⑤
A1013 H-2X 20P -1

- ① Series No.
- ② H=Housing
- ③ 2X=Dual row
- ④ No. of circuits
- ⑤ Option code:
 - 1=Type 1
 - 2=Type 2

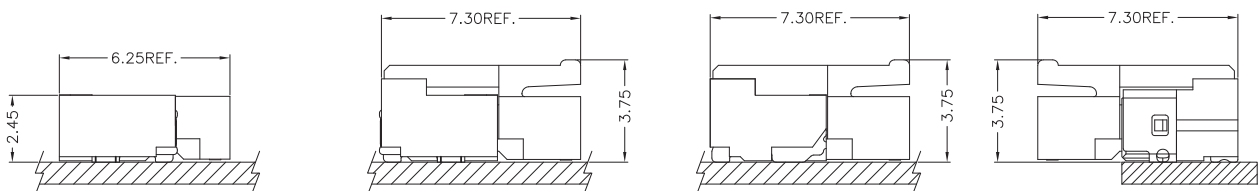


Specifications

Current rating: 1A AC,DC
 Voltage rating: 50V AC,DC
 Temperature range: -25°C ~ +85°C
 Contact resistance: 20mΩ Max.
 Insulation resistance: 100MΩ Min.
 Withstanding voltage: 500V AC/minute

A
B
C
F
ST
HRJ
DC

Assembly layout



Ordering code

① ② ③ ④
A1024-T P E

- ① Series No.
- ② Plating code: T=Tin-plated, G=Gold-plated
- ③ Material: P=Phosphor bronze
- ④ E=Stamping before plating

① ② ③ ④
A1024 H A-06P

- ① Series No.
- ② H=Housing
- ③ Blank=Without lock structure type
A=With lock structure type
- ④ No. of circuits

① ② ③ ④ ⑤ ⑥
A1024 WR A-S-06P D01

- ① Series No.
- ② Connector type: WR=Right angle
- ③ Blank=Normal type, A=A type, B=B type, C=C type
- ④ Mounting type: S=SMT
- ⑤ No. of circuits
- ⑥ Option code:
D01=Gold-flash, Taping reel

A1024 SERIES

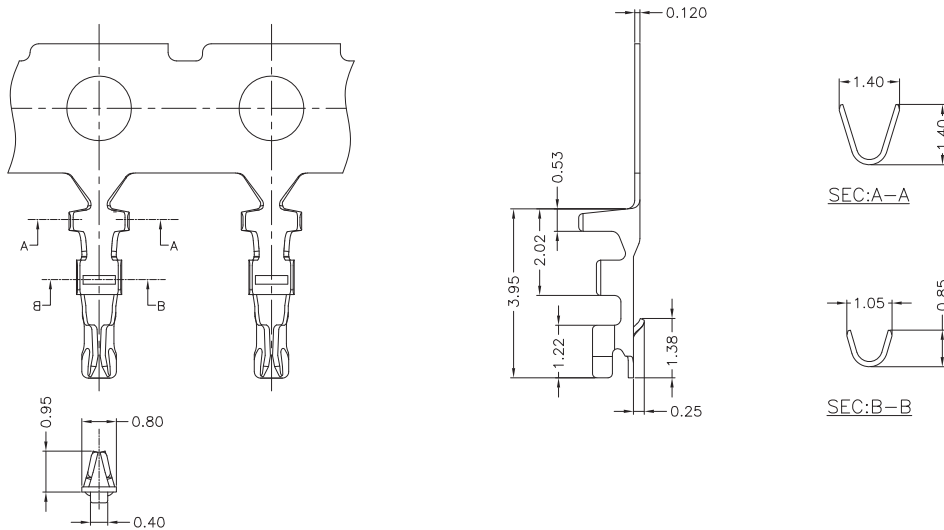
1.00mm pitch wire to board connector

A1024-T

1.00mm pitch Crimp Terminal

Reference Informations:

*Used in A1024 series Housing



Ordering Information & Specifications:

Unit:mm

Part No.	Wire Range	Insulation O.D.	Material	Finish	Qty/reel
A1024-TPE	AWG#28-#32	0.80mm(max)	Phosphor Bronze	Tin-plated	15,000pcs
A1014-GPE	AWG#28-#32	0.80mm(max)	Phosphor Bronze	Gold-plated	15,000pcs

A1024H

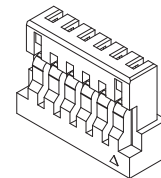
1.00mm pitch Housing

Reference Informations:

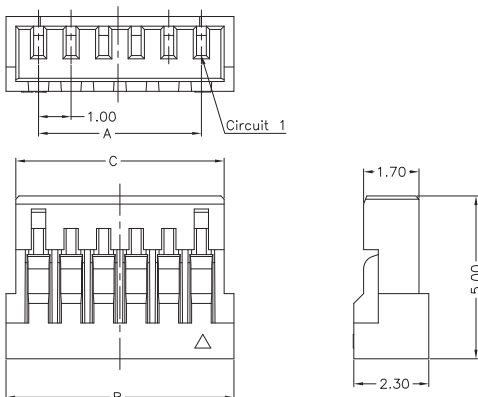
*Material: Nylon 66 UL94V-0

*Suitable A1024 serie Terminal

*Mates with A1024 serie single row Wafer



A1024 H-XP		N	0	W	NP	N	00	G
		①	②	③	④	⑤	⑥	⑦
①	N=Halogen Free							
②	Material: 0=Nylon 66-V0							
③	Color: W=White							
④	Plating code: NP=Non-plating							
⑤	Plating code: N=Non-plating							
⑥	Option code: 00=Standard							
⑦	Packing code: G=Bag							



Ordering Information & Dimensions:

PART NO.	Dimensions		
	A	B	C
A1024H-02P	1.00	3.00	2.40
A1024H-03P	2.00	4.00	3.40
A1024H-04P	3.00	5.00	4.40
A1024H-05P	4.00	6.00	5.40
A1024H-06P	5.00	7.00	6.40
A1024H-07P	6.00	8.00	7.40
A1024H-08P	7.00	9.00	8.40
A1024H-09P	8.00	10.00	9.40
A1024H-10P	9.00	11.00	10.40
A1024H-11P	10.00	12.00	11.40
A1024H-12P	11.00	13.00	12.40
A1024H-13P	12.00	14.00	13.40
A1024H-14P	13.00	15.00	14.40
A1024H-15P	14.00	16.00	15.40
A1024H-16P	15.00	17.00	16.40
A1024H-17P	16.00	18.00	17.40
A1024H-18P	17.00	19.00	18.40
A1024H-19P	18.00	20.00	19.40
A1024H-20P	19.00	21.00	20.40

Unit:mm

A1024 SERIES

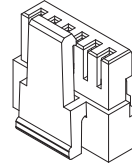
1.00mm pitch wire to board connector

A1024HA

1.00mm pitch Housing

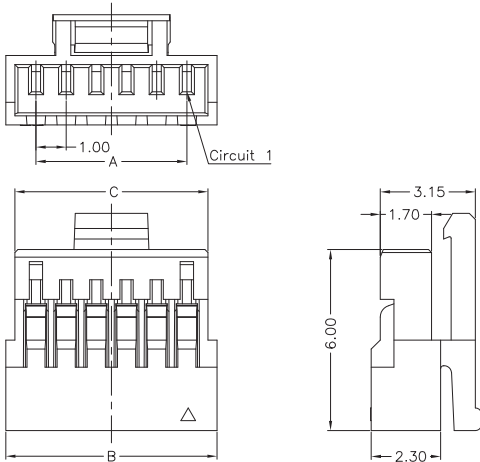
Reference Informations:

- *Material: Nylon 66 UL94V-0
- *Suitable A1024 serie Terminal
- *Mates with A1024 serie Wafer



	A1024 HA-XP						
	N	0	W	NP	N	00	G
	①	②	③	④	⑤	⑥	⑦

① N=Halogen Free
 ② Material: 0=Nylon 66-V0
 ③ Color: W=White
 ④ Plating code: NP=Non-plating
 ⑤ Plating code: N=Non-plating
 ⑥ Option code: 00=Standard
 ⑦ Packing code: G=Bag



Ordering Information & Dimensions:

PART NO.	Dimensions		
	A	B	C
A1024HA-02P	1.00	3.00	2.40
A1024HA-03P	2.00	4.00	3.40
A1024HA-04P	3.00	5.00	4.40
A1024HA-05P	4.00	6.00	5.40
A1024HA-06P	5.00	7.00	6.40
A1024HA-07P	6.00	8.00	7.40
A1024HA-08P	7.00	9.00	8.40
A1024HA-09P	8.00	10.00	9.40
A1024HA-10P	9.00	11.00	10.40
A1024HA-11P	10.00	12.00	11.40
A1024HA-12P	11.00	13.00	12.40
A1024HA-13P	12.00	14.00	13.40
A1024HA-14P	13.00	15.00	14.40
A1024HA-15P	14.00	16.00	15.40
A1024HA-16P	15.00	17.00	16.40
A1024HA-17P	16.00	18.00	17.40
A1024HA-18P	17.00	19.00	18.40
A1024HA-19P	18.00	20.00	19.40
A1024HA-20P	19.00	21.00	20.40

Unit:mm

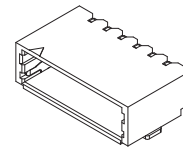
A
B
C
F
ST
HRJ
DC

A1024WR-S

1.00mm pitch 90° Wafer-SMT TYPE

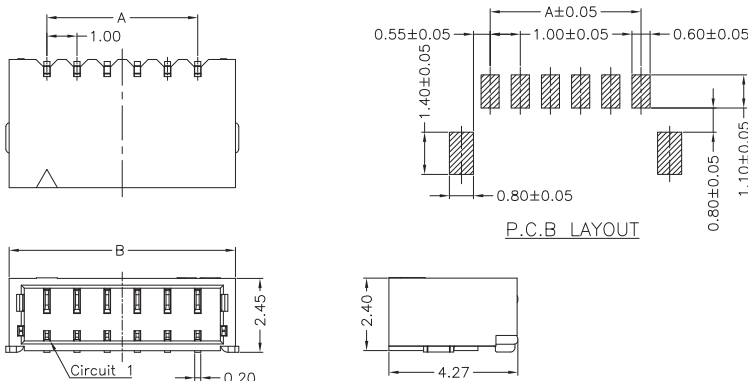
Reference Informations:

- *Material: Pin: Phosphor Bronze/Tin-plated
Solder Tabs: Brass/Tin-plated
Wafer: LCP,UL94-0
- *Mates with A1024H serie Housing



	A1024 WR-S-XP						
	N	L	N	XX	X	00	R
	①	②	③	④	⑤	⑥	⑦

① N=Halogen Free
 ② Material: L=LCP
 ③ Color: N=Natural(Beige)
 ④ Plating code : T1=Matte Tin-plated; G1=Gold-flash
 ⑤ Plating code : T=Matte Tin-plated; G=Gold-flash
 ⑥ Option code: 00=Standard
 ⑦ Packing code: R=Tape & Reel(Without Cap or Mylar)



Ordering Information & Dimensions:

PART NO.	Dimensions	
	A	B
A1024WR-S-02P	1.00	3.50
A1024WR-S-03P	2.00	4.50
A1024WR-S-04P	3.00	5.50
A1024WR-S-05P	4.00	6.50
A1024WR-S-06P	5.00	7.50
A1024WR-S-07P	6.00	8.50
A1024WR-S-08P	7.00	9.50
A1024WR-S-09P	8.00	10.50
A1024WR-S-10P	9.00	11.50
A1024WR-S-11P	10.00	12.50
A1024WR-S-12P	11.00	13.50
A1024WR-S-13P	12.00	14.50
A1024WR-S-14P	13.00	15.50
A1024WR-S-15P	14.00	16.50
A1024WR-S-16P	15.00	17.50
A1024WR-S-17P	16.00	18.50
A1024WR-S-18P	17.00	19.50
A1024WR-S-19P	18.00	20.50
A1024WR-S-20P	19.00	21.50

Unit:mm

A1024 SERIES

1.00mm pitch wire to board connector

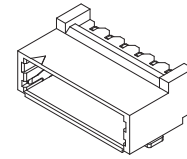
A1024WRA-S

1.00mm pitch 90° Wafer-SMT TYPE

Reference Informations:

*Material: Pin: Phosphor Bronze/Tin-plated
Solder Tabs: Brass/Tin-plated
Wafer: LCP,UL94-0

*Mates with A1024HA serie Housing



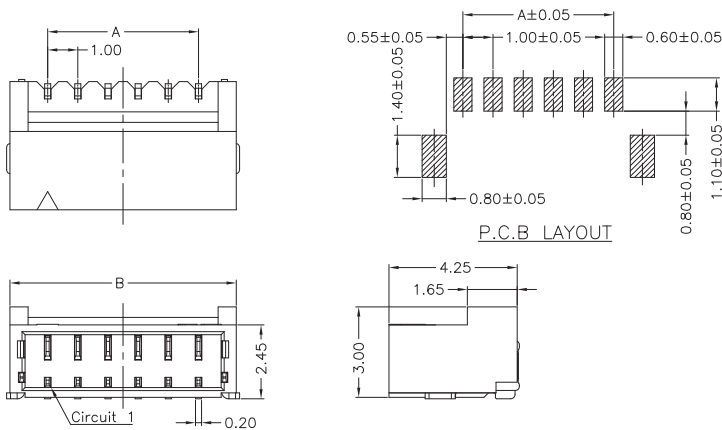
Ordering Information & Dimensions:

PART NO.	Dimensions	
	A	B
A1024WRA-S-02P	1.00	3.50
A1024WRA-S-03P	2.00	4.50
A1024WRA-S-04P	3.00	5.50
A1024WRA-S-05P	4.00	6.50
A1024WRA-S-06P	5.00	7.50
A1024WRA-S-07P	6.00	8.50
A1024WRA-S-08P	7.00	9.50
A1024WRA-S-09P	8.00	10.50
A1024WRA-S-10P	9.00	11.50
A1024WRA-S-11P	10.00	12.50
A1024WRA-S-12P	11.00	13.50
A1024WRA-S-13P	12.00	14.50
A1024WRA-S-14P	13.00	15.50
A1024WRA-S-15P	14.00	16.50
A1024WRA-S-16P	15.00	17.50
A1024WRA-S-17P	16.00	18.50
A1024WRA-S-18P	17.00	19.50
A1024WRA-S-19P	18.00	20.50
A1024WRA-S-20P	19.00	21.50

Unit:mm

	A1024 WRA-S-XP	N	L	N	XX	X	00	R
		①	②	③	④	⑤	⑥	⑦

① N=Halogen Free
② Material: Material: L=LCP
③ Color: N=Natural(Beige)
④ Plating code : T1=Matte Tin-plated; G1=Gold-flash
⑤ Plating code : T=Matte Tin-plated; G=Gold-flash
⑥ Option code: 00=Standard
⑦ Packing code: R=Tape & Reel(Without Cap or Mylar)



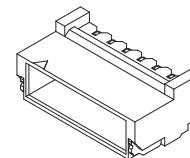
A1024WRB-S

1.00mm pitch 90° Wafer-SMT TYPE

Reference Informations:

*Material: Pin: Phosphor Bronze/Matte Tin-plated
Solder Tabs: Brass/Matte Tin-plated
Wafer: LCP,UL94-0

*Mates with A1024HA serie Housing



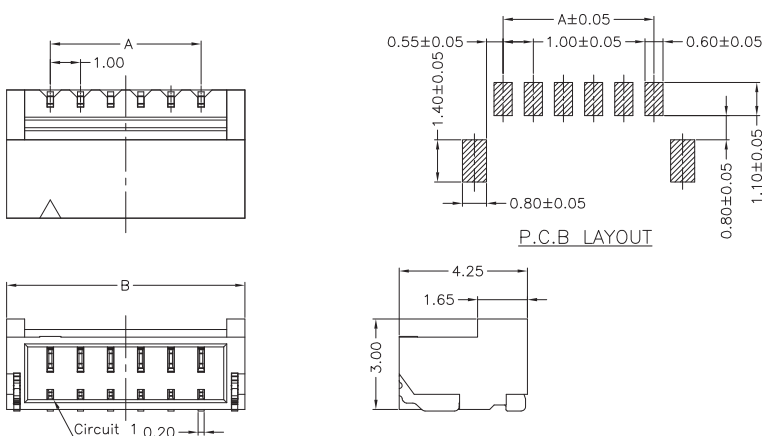
Ordering Information & Dimensions:

PART NO.	Dimensions	
	A	B
A1024WRB-S-02P	1.00	3.50
A1024WRB-S-03P	2.00	4.50
A1024WRB-S-04P	3.00	5.50
A1024WRB-S-05P	4.00	6.50
A1024WRB-S-06P	5.00	7.50
A1024WRB-S-07P	6.00	8.50
A1024WRB-S-08P	7.00	9.50
A1024WRB-S-09P	8.00	10.50
A1024WRB-S-10P	9.00	11.50
A1024WRB-S-11P	10.00	12.50
A1024WRB-S-12P	11.00	13.50
A1024WRB-S-13P	12.00	14.50
A1024WRB-S-14P	13.00	15.50
A1024WRB-S-15P	14.00	16.50
A1024WRB-S-16P	15.00	17.50
A1024WRB-S-17P	16.00	18.50
A1024WRB-S-18P	17.00	19.50
A1024WRB-S-19P	18.00	20.50
A1024WRB-S-20P	19.00	21.50

Unit:mm

	A1024 WRB-S-XP	N	L	N	T1	T	00	R
		①	②	③	④	⑤	⑥	⑦

① N=Halogen Free
② Material: Material: L=LCP
③ Color: N=Natural
④ Plating code : T1=Matte Tin-plated
⑤ Plating code : T=Matte Tin-plated
⑥ Option code: 00=Standard
⑦ Packing code: R=Tape & Reel(Without Cap or Mylar)

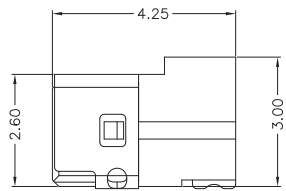
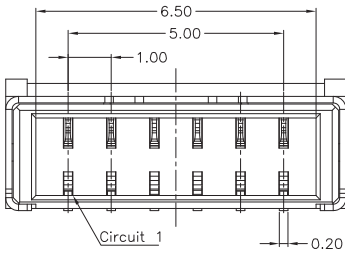
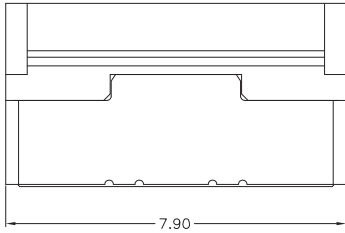
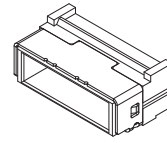


A1024WRC-S

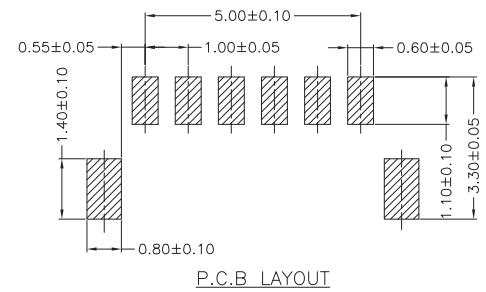
1.00mm pitch 90° Wafer-SMT TYPE

Reference Informations:

- *Material: Pin: Phosphor Bronze/Tin-plated
Solder Tabs: Brass/Tin-plated
Wafer: LCP,UL94-0
- *Mates with A1024HA serie Housing



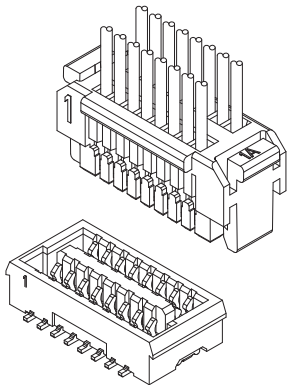
	A1024 WRC-S-06P						
	N	L	N	T1	G	00	R
①	②	③	④	⑤	⑥	⑦	
① N=Halogen Free ② Material: Material: L=LCP ③ Color: N=Natural ④ Plating code : T1=Matte Tin-plated ⑤ Plating code : G=Gold-flash ⑥ Option code: 00=Standard ⑦ Packing code: R=Tape & Reel(Without Cap or Mylar)							



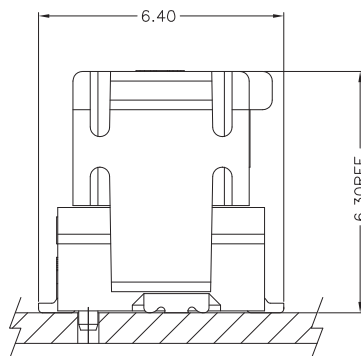
A
B
C
F
ST
HRJ
DC

Specifications

Current rating: 1A AC,DC
 Voltage rating: 50V AC,DC
 Temperature range: -25°C ~ +85°C
 Contact resistance: 20mΩ Max.
 Insulation resistance: 100MΩ Min.
 Withstanding voltage: 500V AC/minute



Assembly layout



Ordering code

① ② ③ ④
A1026-T P E

- ① Series No.
- ② Plating code: T=Tin-plated, G=Gold-plated
- ③ Material: P=Phosphor bronze
- ④ E=Stamping before plating

① ② ③ ④ ⑤
A1026 H A-2X 08P

- ① Series No.
- ② H=Housing
- ③ Blank=Without lock structure type
A=With lock structure type
- ④ Blank=Single row, 2X=Dual row
- ⑤ No. of circuits

① ② ③ ④ ⑤ ⑥ ⑦
A1026 WV A-SF-2X 08P D01

- ① Series No.
- ② Connector type: WV=Vertical
- ③ Blank=Normal type, A=A type
- ④ Mounting type: SF=SMT with boss
- ⑤ Blank=Single row, 2X=Dual row
- ⑥ No. of circuits
- ⑦ Option code:
D01=Gold-flash, Taping reel

A1026 SERIES

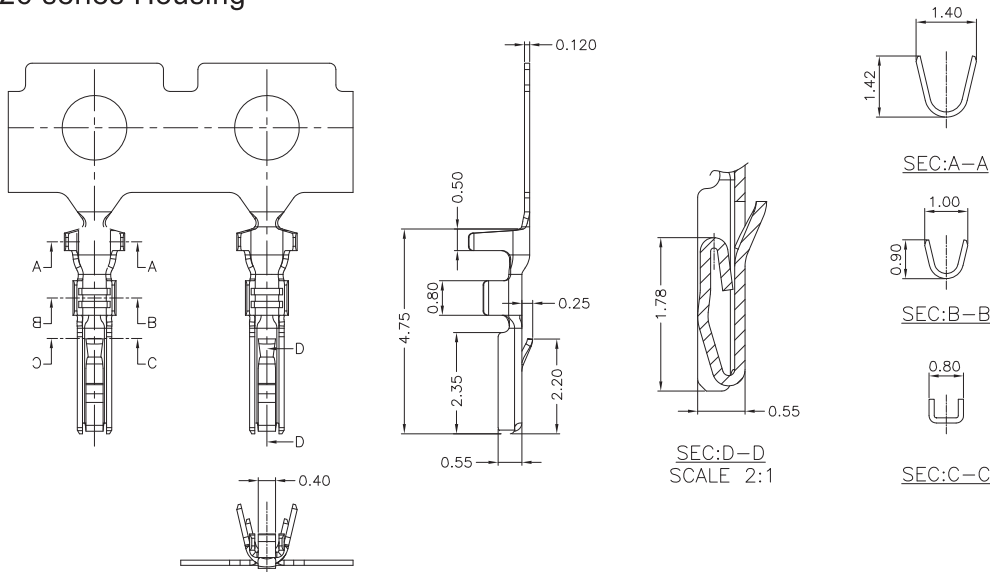
1.00mm pitch wire to board connector

A1026-T

1.00mm pitch Crimp Terminal

Reference Informations:

*Used in A1026 series Housing



A
B
C
F
ST
HRJ
DC

Ordering Information & Specifications:

Unit:mm

Part No.	Wire Range	Insulation O.D.	Material	Finish	Qty/reel
A1026-TPE	AWG#28-#32	0.80mm(max)	Phosphor Bronze	Tin-plated	15,000pcs
A1026-GPE	AWG#28-#32	0.80mm(max)	Phosphor Bronze	Gold-plated	15,000pcs

Note:E-Stamping before Tin-plated or Gold-flash

A1026HA-2

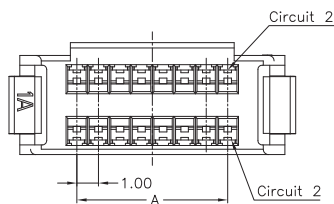
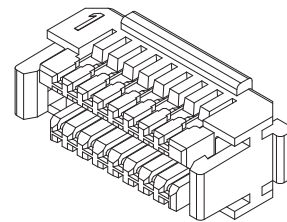
1.00mm pitch Dual Row Housing With Lock

Reference Informations:

*Material: Nylon 66 UL94V-0

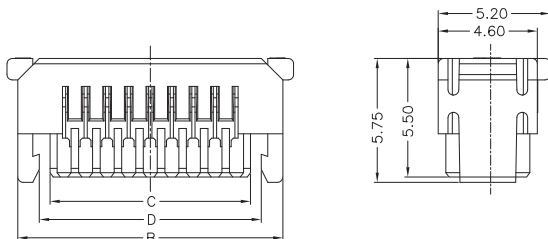
*Suitable A1026 serie Terminal

*Mates with A1026 serie dual row Wafer



HP	A1026HA-2XNP	N	L	W	NP	N	00	G
①	②	③	④	⑤	⑥	⑦		

① N=Halogen Free
② Material: 0=Nylon 66-V0
③ Color: W=White
④ Plating code: NP=Non-plating
⑤ Plating code: N=Non-plating
⑥ Option code: 00=Standard
⑦ Packing code: G=Bag



Ordering Information & Dimensions:

PART NO.	Dimensions			
	A	B	C	D
A1026HA-2X05P	4.00	9.30	6.30	7.30
A1026HA-2X08P	7.00	12.30	9.30	10.30
A1026HA-2X10P	9.00	14.30	11.30	12.30
A1026HA-2X15P	14.00	16.30	16.30	17.30
A1026HA-2X20P	19.00	21.30	21.30	22.30
A1026HA-2X25P	24.00	26.30	26.30	27.30
A1026HA-2X30P	29.00	31.30	31.30	32.30

Unit:mm

A1026 SERIES

1.00mm pitch wire to board connector

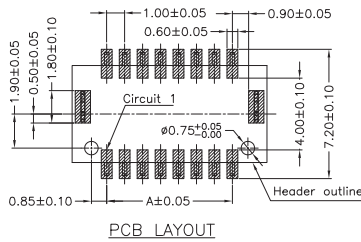
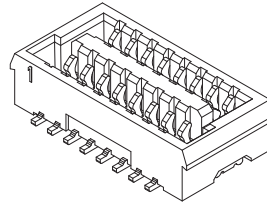
A1026WVA-SF-2

1.00mm pitch 180° Dual Row Wafer - _____
SMT TYPE

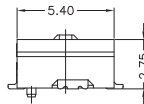
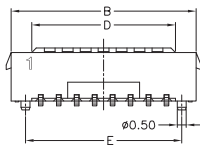
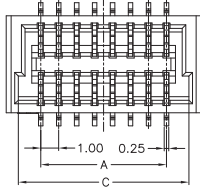
Reference Informations:

- *Material: Pin: Phosphor Bronze/Gold-flash
Solder Tabs: Brass/Matte Tin-plated
Wafer: LCP, UL94V-0
Cap: Nylon 6T, UL94V-0

*Mates with A1026HA serie dual row Housing



PCB LAYOUT

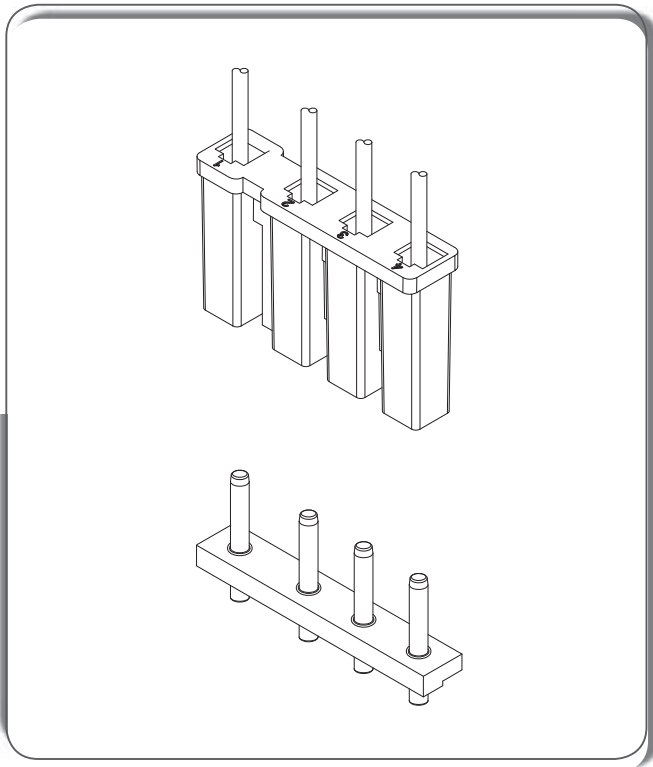


	A1026WVA-SF-2XNP						
	N	L	N	XX	X	00	L
①	②	③	④	⑤	⑥	⑦	
① N=Halogen Free							
② Material: L=LCP							
③ Color: N=Natural(Beige)							
④ Plating code for contacts: T1=Matte Tin-plated; G1=Gold-flash							
⑤ Plating code for solder tabs: T=Matte Tin-plated; G=Gold-flash							
⑥ Option code: 00=Standard							
⑦ Packing code: L=Tape & Reel(With Cap)							

Ordering Information & Dimensions:

PART NO.	Dimensions				
	A	B	C	D	E
A1026WVA-SF-2X05P	4.00	7.30	6.50	5.00	5.70
A1026WVA-SF-2X08P	7.00	10.30	9.50	8.00	8.70
A1026WVA-SF-2X10P	9.00	13.30	11.50	10.00	10.70
A1026WVA-SF-2X15P	14.00	17.30	16.50	15.00	15.70
A1026WVA-SF-2X20P	19.00	22.30	21.50	20.00	20.70
A1026WVA-SF-2X25P	24.00	27.30	26.50	25.00	25.70
A1026WVA-SF-2X30P	29.00	32.30	31.50	30.00	30.70

Unit:mm



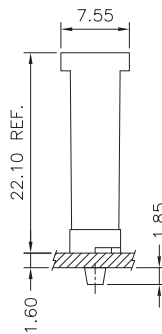
Specifications

Current rating: 7A AC,DC
 Voltage rating: 250V AC,DC
 Temperature range: -25°C ~ +85°C
 Contact resistance: 10mΩ Max.
 Insulation resistance: 1000MΩ Min.
 Withstanding voltage: 1500V AC/minute

A
B
C
F
ST
HRJ
DC

Standards

Assembly layout



Ordering code

① ② ③ ④
A1080-T B E

- ① Series No.
- ② Plating code: T=Tin-plated
- ③ Material: B=Brass
- ④ E=Stamping before plating

① ② ③ ④
A1080 WV-05P PT

- ① Series No.
- ② Connector type: WV=Vertical
- ③ No. of circuits
- ④ Option code: PT=PBT,Black

① ② ③ ④
A1080 H-05P -PT

- ① Series No.
- ② H=Housing
- ③ No. of circuits
- ④ Option code:
 -PT=PBT,Black
 -GY=Nylon 66-V0,Gray

*

A1080 SERIES

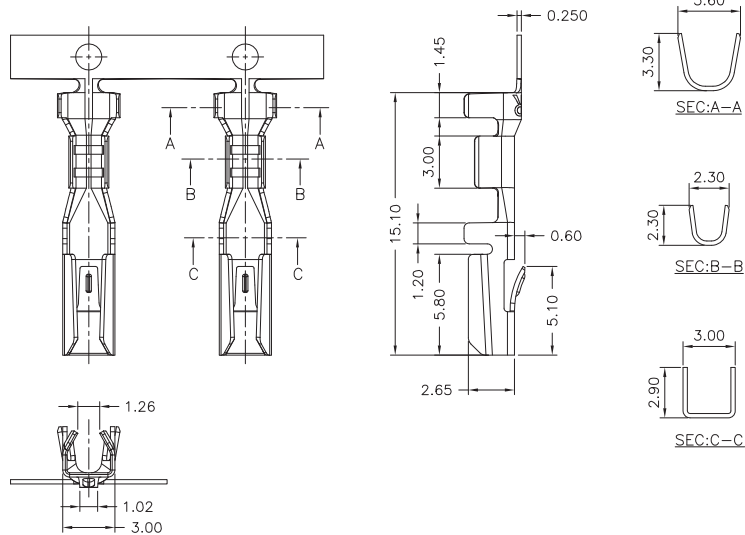
10.00-8.00mm pitch wire to board connector

A1080-T

10.00-8.00mm pitch Crimp Terminal

Reference Informations:

*Used in A1080 series Housing



Ordering Information & Specifications:

Unit:mm

Part No.	Wire Range	Insulation O.D.	Material	Finish	Qty/reel
A1080-TBE	AWG#18-#24	2.90mm(max)	Brass	Tin-plated	6,000pcs

Note:E-Stamping before Tin-plated

A1080H

10.00-8.00mm pitch Housing

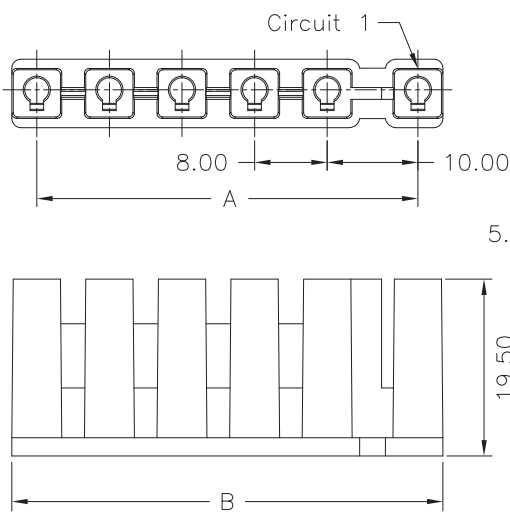
Reference Informations:

*Material: Nylon 66,UL94V-0

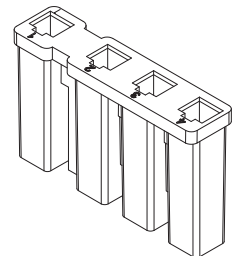
*Suitable A1080 series Terminal

*Mates with A1080 series Wafer

*PBT is available



A1080H-05P		N	0	B	NP	N	00	G
		①	②	③	④	⑤	⑥	⑦
① N=Halogen Free								
② Material: 0=Nylon 66-V0, P=PBT								
③ Color: B=Black								
④ Plating code: NP=Non-plating								
⑤ Plating code: N=Non-plating								
⑥ Option code: 00=Standard								
⑦ Packing code: G=Bag								



Ordering Information & Dimensions:

PART NO.	Dimensions	
	A	B
A1080H-01P	---	7.20
A1080H-02P	10.00	15.50
A1080H-03P	18.00	23.50
A1080H-04P	26.00	31.50
A1080H-05P	34.00	39.50
A1080H-06P	42.00	47.50

Unit:mm

A1080WV

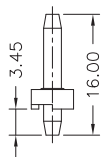
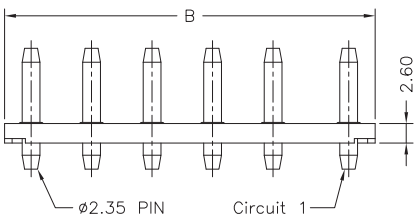
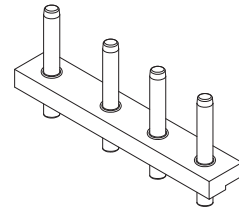
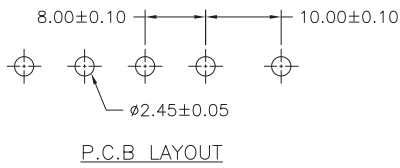
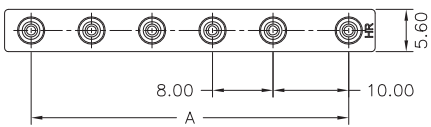
10.00-8.00mm pitch 180° Wafer

Reference Informations:

- *Material: Pin: Brass/Tin-plated
Wafer: Nylon 66,UL94V-0
- *Mates with A1080 series Housing
- *PBT is available

	A1080WV-05P	N	0	B	T1	N	00	G
		①	②	③	④	⑤	⑥	⑦

① N=Halogen Free
 ② Material: 0=Nylon 66-V0, P=PBT
 ③ Color: B=Black
 ④ Plating code: T1=Tin-plated
 ⑤ Plating code: N=Non-plating
 ⑥ Option code: 00=Standard
 ⑦ Packing code: G=Bag



Ordering Information & Dimensions:

PART NO.	Dimensions	
	A	B
A1080WV-01P	---	7.00
A1080WV-02P	10.00	17.00
A1080WV-03P	18.00	25.00
A1080WV-04P	26.00	33.00
A1080WV-05P	34.00	41.00
A1080WV-06P	42.00	49.00

Unit:mm

A
B
C
F
ST
HRJ
DC

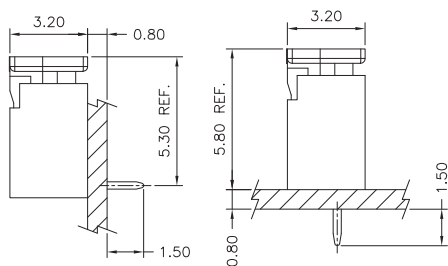
*

Specifications

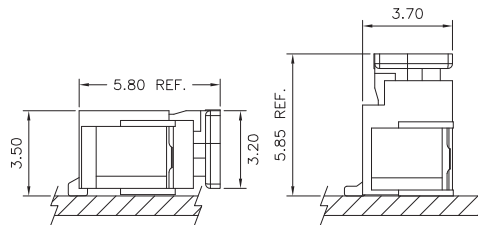
Current rating: 1A AC,DC
 Voltage rating: 125V AC,DC
 Temperature range: -25°C ~ +85°C
 Contact resistance: 20mΩ Max.
 Insulation resistance: 100MΩ Min.
 Withstanding voltage: 500V AC/minute

Standards

Assembly layout



DIP TYPE



SMT TYPE

Ordering code

① ② ③ ④ ⑤
A1250-TPE-A

- ① Series No.
- ② Plating code: T=Tin-plated, G=Gold-flash
- ③ Material: P=Phosphor bronze
- ④ E=Stamping before plating
- ⑤ Option code: -A=A Type

① ② ③
A1250 H-05P

- ① Series No.
- ② H=Housing
- ③ No. of circuits

① ② ③ ④ ⑤ ⑥
A1250 WR A -S-05P D01

- ① Series No.
- ② Connector type: WV=Vertical, WR=Right angle
- ③ Blank=Normal type
A=A type
- ④ Mounting type: Blank=Through hole
-S=SMT
- ⑤ No. of circuits
- ⑥ Option code:
D01=Gold-flash, Taping reel(SMT type only)
C=Tin-plated, Taping reel with cap(SMT type only)
D20=Gold-flash, Taping reel with cap(SMT type only)

A1250 SERIES

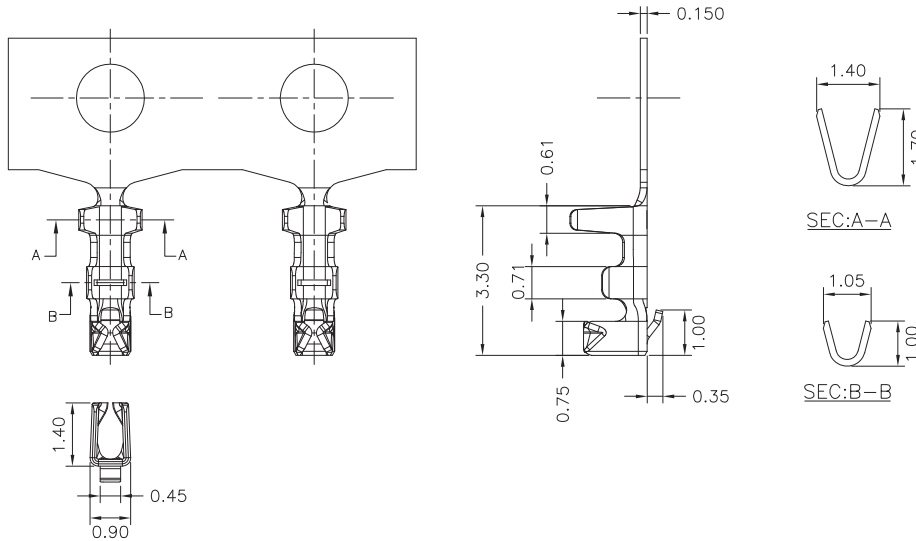
1.25mm pitch wire to board connector

A 1250-T

1.25mm pitch Crimp Terminal

Reference Informations:

*Used in H.R A1250 series Housing



A
B
C
F
ST
HRJ
DC

Ordering Information & Specifications:

Unit:mm

Part No.	Wire Range	Insulation O.D.	Material	Finish	Qty/reel
A1250-TPE-A	AWG#28-#32	1.00mm(max)	Phosphor Bronze	Tin-plated	15,000pcs
A1250-GPE-A	AWG#28-#32	1.00mm(max)	Phosphor Bronze	Gold-flash	15,000pcs

Note:E-Stamping before Tin-plated or Gold-flash

A 1250H

1.25mm pitch Housing

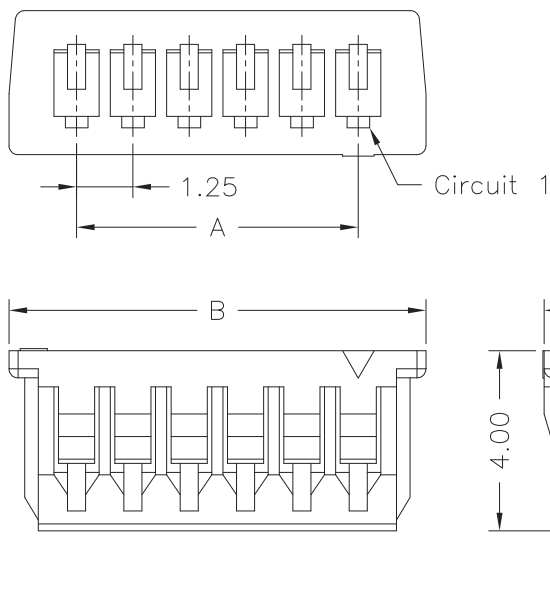
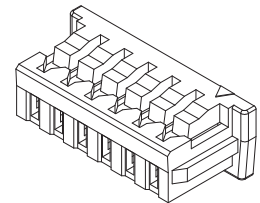
Reference Informations:

*Material: PBT,UL94V-0

*Suitable A1250 series Terminal

*Mates with A1250 series Wafer

A1250H-05P		N	0	W	NP	N	00	G
		①	②	③	④	⑤	⑥	⑦
① N=Halogen Free								
② Material: 0=Nylon 66-V0								
③ Color: W=White								
④ Plating code: NP=Non-plating								
⑤ Plating code: N=Non-plating								
⑥ Option code: 00=Standard								
⑦ Packing code: G=Bag								



Ordering Information & Dimensions:

PART NO.	Dimensions	
	A	B
A1250H-02P	1.25	4.25
A1250H-03P	2.50	5.50
A1250H-04P	3.75	6.75
A1250H-05P	5.00	8.00
A1250H-06P	6.25	9.25
A1250H-07P	7.50	10.50
A1250H-08P	8.75	11.75
A1250H-09P	10.00	13.00
A1250H-10P	11.25	14.25
A1250H-11P	12.50	15.50
A1250H-12P	13.75	16.75
A1250H-13P	15.00	18.00
A1250H-14P	16.25	19.25
A1250H-15P	17.50	20.50
A1250H-16P	18.75	21.75
A1250H-17P	20.00	23.00
A1250H-18P	21.25	24.25

Unit:mm

A1250 SERIES

1.25mm pitch wire to board connector

A1250WV

1.25mm pitch 180° Wafer

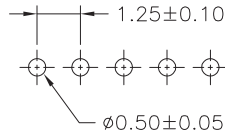
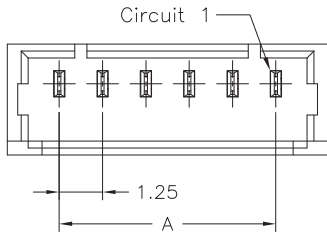
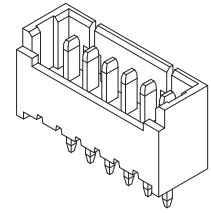
Reference Informations:

*Material: Pin: Phosphor Bronze/Tin-plated

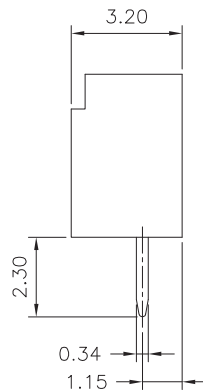
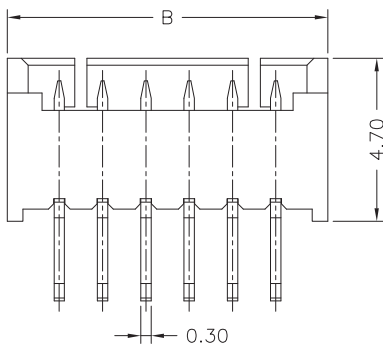
Wafer: Nylon 6T,UL94V-0

*Mates with A1250 series Housing

	A1250WV-05P N 6 B T1 N 00 B						
	①	②	③	④	⑤	⑥	⑦
	① N=Halogen Free	② Material: 6=Nylon 6T	③ Color: B=Black	④ Plating code: T1=Tin-plated	⑤ Plating code: N=Non-plating	⑥ Option code: 00=Standard	⑦ Packing code: B=Tray



P.C.B. LAYOUT



Ordering Information & Dimensions:

PART NO.	Dimensions	
	A	B
A1250WV-02P	1.25	4.25
A1250WV-03P	2.50	5.50
A1250WV-04P	3.75	6.75
A1250WV-05P	5.00	8.00
A1250WV-06P	6.25	9.25
A1250WV-07P	7.50	10.50
A1250WV-08P	8.75	11.75
A1250WV-09P	10.00	13.00
A1250WV-10P	11.25	14.25
A1250WV-11P	12.50	15.50
A1250WV-12P	13.75	16.75
A1250WV-13P	15.00	18.00
A1250WV-14P	16.25	19.25
A1250WV-15P	17.50	20.50
A1250WV-16P	18.75	21.75
A1250WV-17P	20.00	23.00
A1250WV-18P	21.25	24.25

Unit:mm

A1250WR

1.25mm pitch 90° Wafer

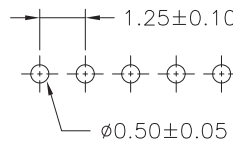
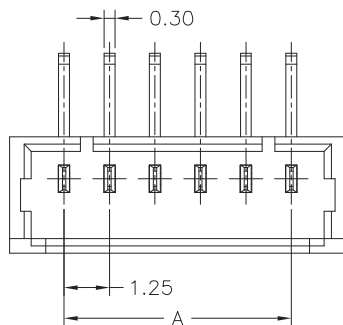
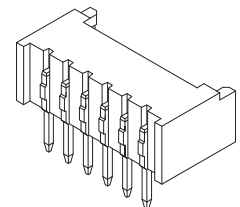
Reference Informations:

*Material: Pin: Phosphor Bronze/Tin-plated

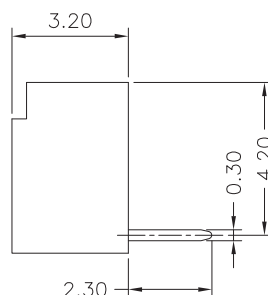
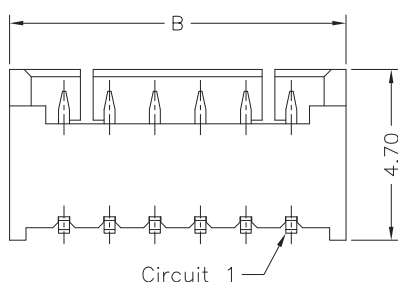
Wafer: Nylon 6T,UL94V-0

*Mates with A1250 series Housing

	A1250WR-05P N 6 B T1 N 00 B						
	①	②	③	④	⑤	⑥	⑦
	① N=Halogen Free	② Material: 6=Nylon 6T	③ Color: B=Black	④ Plating code: T1=Tin-plated	⑤ Plating code: N=Non-plating	⑥ Option code: 00=Standard	⑦ Packing code: B=Tray



P.C.B. LAYOUT



Ordering Information & Dimensions:

PART NO.	Dimensions	
	A	B
A1250WR-02P	1.25	4.25
A1250WR-03P	2.50	5.50
A1250WR-04P	3.75	6.75
A1250WR-05P	5.00	8.00
A1250WR-06P	6.25	9.25
A1250WR-07P	7.50	10.50
A1250WR-08P	8.75	11.75
A1250WR-09P	10.00	13.00
A1250WR-10P	11.25	14.25
A1250WR-11P	12.50	15.50
A1250WR-12P	13.75	16.75
A1250WR-13P	15.00	18.00
A1250WR-14P	16.25	19.25
A1250WR-15P	17.50	20.50
A1250WR-16P	18.75	21.75
A1250WR-17P	20.00	23.00
A1250WR-18P	21.25	24.25

Unit:mm

A1250 SERIES

1.25mm pitch wire to board connector

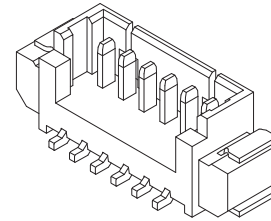
A1250WV-S

1.25mm pitch 180° Wafer - SMT TYPE

Reference Informations:

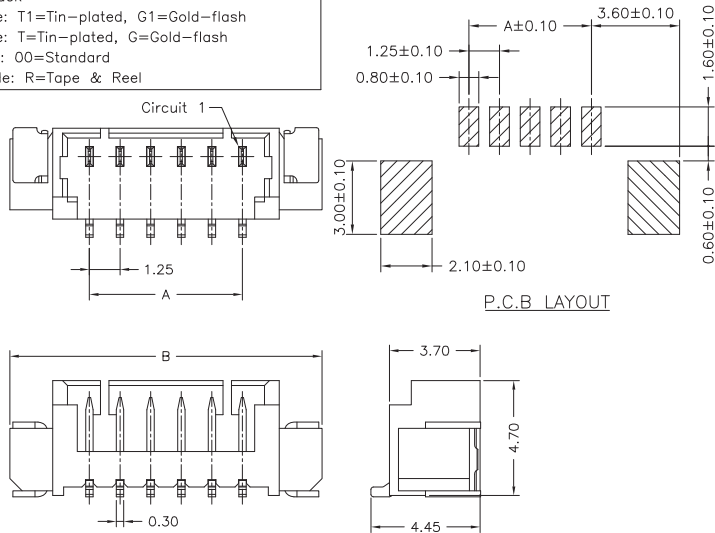
- *Material: Pin: Phosphor Bronze/Tin-plated
Solder Tabs: Phosphor Bronze/Tin-plated
Wafer: Nylon 6T,UL94V-0

*Mates with A1250 series Housing



	A1250WV-S-05P	N	6	B	T1	T	00	R
		①	②	③	④	⑤	⑥	⑦

① N=Halogen Free
 ② Material: 6=Nylon 6T
 ③ Color: B=Black
 ④ Plating code: T1=Tin-plated, G1=Gold-flash
 ⑤ Plating code: T=Tin-plated, G=Gold-flash
 ⑥ Option code: 00=Standard
 ⑦ Packing code: R=Tape & Reel



Ordering Information & Dimensions:

PART NO.	Dimensions	
	A	B
A1250WV-S-02P	1.25	7.75
A1250WV-S-03P	2.50	9.00
A1250WV-S-04P	3.75	10.25
A1250WV-S-05P	5.00	11.50
A1250WV-S-06P	6.25	12.75
A1250WV-S-07P	7.50	14.00
A1250WV-S-08P	8.75	15.25
A1250WV-S-09P	10.00	16.50
A1250WV-S-10P	11.25	17.75
A1250WV-S-11P	12.50	19.00
A1250WV-S-12P	13.75	20.25
A1250WV-S-13P	15.00	21.50
A1250WV-S-14P	16.25	22.75
A1250WV-S-15P	17.50	24.00
A1250WV-S-16P	18.75	25.25
A1250WV-S-17P	20.00	26.50
A1250WV-S-18P	21.25	27.75

Unit:mm

A
B
C
F
ST
HRJ
DC

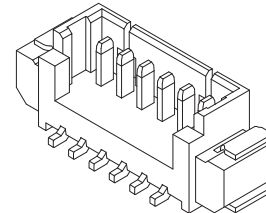
A1250WV-S

1.25mm pitch 180° Wafer - SMT TYPE

Reference Informations:

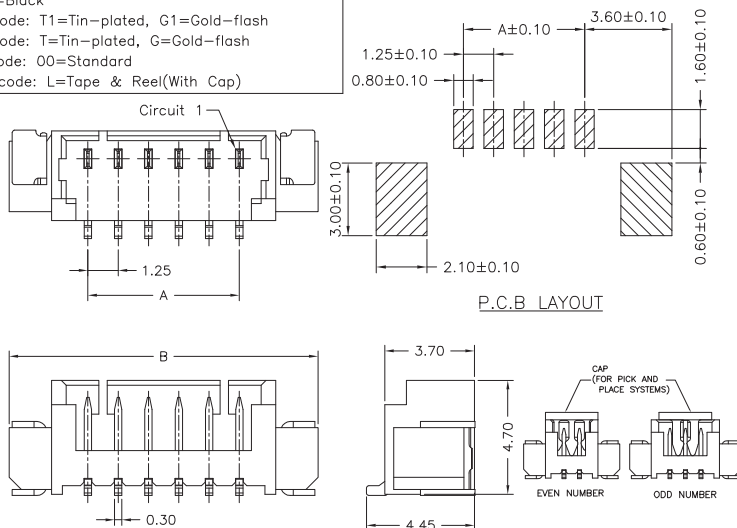
- *Material: Pin: Phosphor Bronze/Tin-plated
Solder Tabs: Phosphor Bronze/Tin-plated
Wafer: Nylon 6T,UL94V-0
Cap: Nylon 6T,UL94V-0

*Mates with A1250 series Housing



	A1250WV-S-05P	N	6	B	T1	T	00	L
		①	②	③	④	⑤	⑥	⑦

① N=Halogen Free
 ② Material: 6=Nylon 6T
 ③ Color: B=Black
 ④ Plating code: T1=Tin-plated, G1=Gold-flash
 ⑤ Plating code: T=Tin-plated, G=Gold-flash
 ⑥ Option code: 00=Standard
 ⑦ Packing code: L=Tape & Reel(With Cap)



Ordering Information & Dimensions:

PART NO.	Dimensions	
	A	B
A1250WV-S-02PC	1.25	7.75
A1250WV-S-03PC	2.50	9.00
A1250WV-S-04PC	3.75	10.25
A1250WV-S-05PC	5.00	11.50
A1250WV-S-06PC	6.25	12.75
A1250WV-S-07PC	7.50	14.00
A1250WV-S-08PC	8.75	15.25
A1250WV-S-09PC	10.00	16.50
A1250WV-S-10PC	11.25	17.75
A1250WV-S-11PC	12.50	19.00
A1250WV-S-12PC	13.75	20.25
A1250WV-S-13PC	15.00	21.50
A1250WV-S-14PC	16.25	22.75
A1250WV-S-15PC	17.50	24.00
A1250WV-S-16PC	18.75	25.25
A1250WV-S-17PC	20.00	26.50
A1250WV-S-18PC	21.25	27.75

Unit:mm

A1250 SERIES

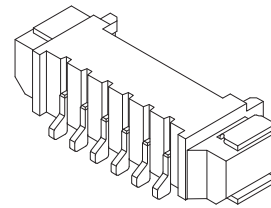
1.25mm pitch wire to board connector

A1250WR-S

— 1.25mm pitch 90° Wafer - SMT TYPE —

Reference Informations:

- *Material: Pin: Phosphor Bronze/Tin-plated
Solder Tabs: Phosphor Bronze/Tin-plated
Wafer: Nylon 6T,UL94V-0
- *Mates with A1250 series Housing



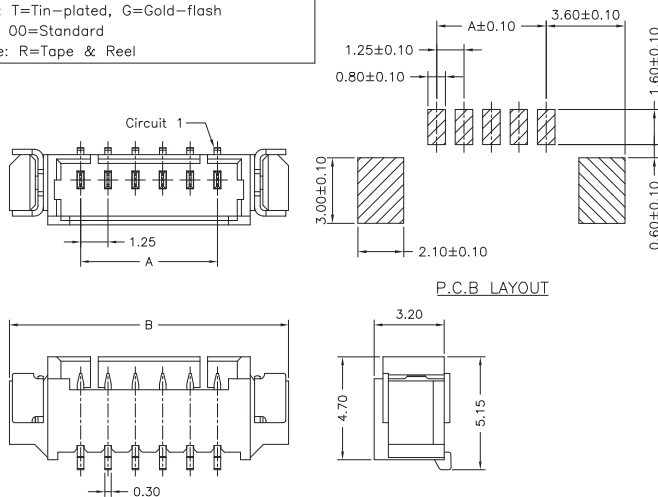
Ordering Information & Dimensions:

PART NO.	Dimensions	
	A	B
A1250WR-S-02P	1.25	7.75
A1250WR-S-03P	2.50	9.00
A1250WR-S-04P	3.75	10.25
A1250WR-S-05P	5.00	11.50
A1250WR-S-06P	6.25	12.75
A1250WR-S-07P	7.50	14.00
A1250WR-S-08P	8.75	15.25
A1250WR-S-09P	10.00	16.50
A1250WR-S-10P	11.25	17.75
A1250WR-S-11P	12.50	19.00
A1250WR-S-12P	13.75	20.25
A1250WR-S-13P	15.00	21.50
A1250WR-S-14P	16.25	22.75
A1250WR-S-15P	17.50	24.00
A1250WR-S-16P	18.75	25.25
A1250WR-S-17P	20.00	26.50
A1250WR-S-18P	21.25	27.75

Unit:mm

	A1250WR-S-05P	N	6	B	T1	I	00	R
		①	②	③	④	⑤	⑥	⑦

- ① N=Halogen Free
- ② Material: 6=Nylon 6T
- ③ Color: B=Black
- ④ Plating code: T1=Tin-plated, G1=Gold-flash
- ⑤ Plating code: T=Tin-plated, G=Gold-flash
- ⑥ Option code: 00=Standard
- ⑦ Packing code: R=Tape & Reel

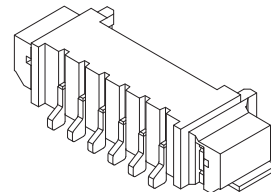


A1250WRA-S

— 1.25mm pitch 90° Wafer - SMT TYPE —

Reference Informations:

- *Material: Pin: Phosphor Bronze/Tin-plated
Solder Tabs: Brass/Tin-plated
Wafer: Nylon 6T,UL94V-0
- *Mates with A1250 series Housing



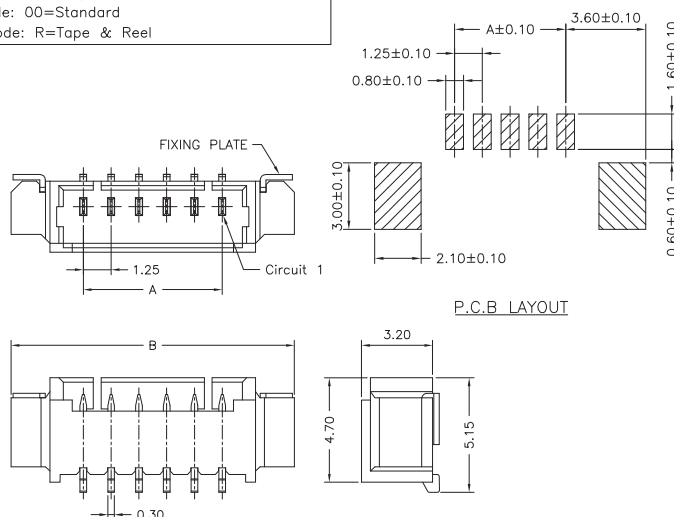
Ordering Information & Dimensions:

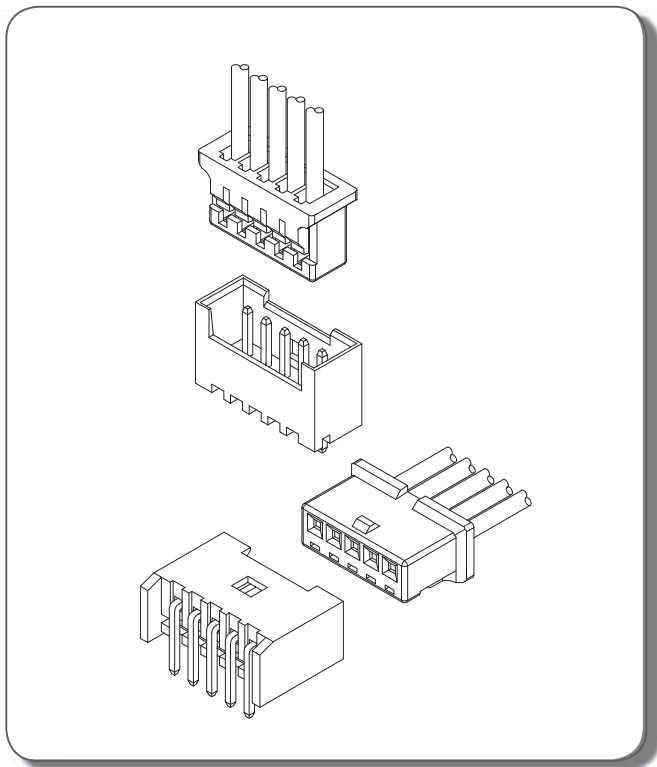
PART NO.	Dimensions	
	A	B
A1250WRA-S-02P	1.25	7.75
A1250WRA-S-03P	2.50	9.00
A1250WRA-S-04P	3.75	10.25
A1250WRA-S-05P	5.00	11.50
A1250WRA-S-06P	6.25	12.75
A1250WRA-S-07P	7.50	14.00
A1250WRA-S-08P	8.75	15.25
A1250WRA-S-09P	10.00	16.50
A1250WRA-S-10P	11.25	17.75
A1250WRA-S-11P	12.50	19.00
A1250WRA-S-12P	13.75	20.25
A1250WRA-S-13P	15.00	21.50
A1250WRA-S-14P	16.25	22.75
A1250WRA-S-15P	17.50	24.00
A1250WRA-S-16P	18.75	25.25
A1250WRA-S-17P	20.00	26.50
A1250WRA-S-18P	21.25	27.75

Unit:mm

	A1250WRA-S-05P	N	6	B	T1	I	00	R
		①	②	③	④	⑤	⑥	⑦

- ① N=Halogen Free
- ② Material: 6=Nylon 6T
- ③ Color: B=Black
- ④ Plating code: T1=Tin-plated, G1=Gold-flash
- ⑤ Plating code: T=Tin-plated, G=Gold-flash
- ⑥ Option code: 00=Standard
- ⑦ Packing code: R=Tape & Reel





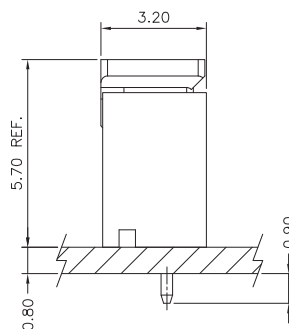
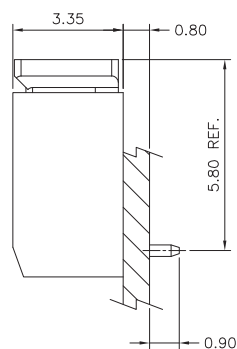
Specifications

Current rating: 1A AC,DC
 Voltage rating: 200V AC,DC
 Temperature range: -25°C ~ +85°C
 Contact resistance: 20mΩ Max.
 Insulation resistance: 100MΩ Min.
 Withstanding voltage: 500V AC/minute

A
B
C
F
ST
HRJ
DC

Standards

Assembly layout



Ordering code

① ② ③ ④
A1251-T P E

- ① Series No.
- ② Plating code: T=Tin-plated
- ③ Material: P=Phosphor bronze
- ④ E=Stamping before plating

① ② ③
A1251 WV-05P

- ① Series No.
- ② Connector type: WV=Vertical, WR=Right angle
- ③ No. of circuits

① ② ③
A1251 H-05P

- ① Series No.
- ② H=Housing
- ③ No. of circuits

A1251 SERIES

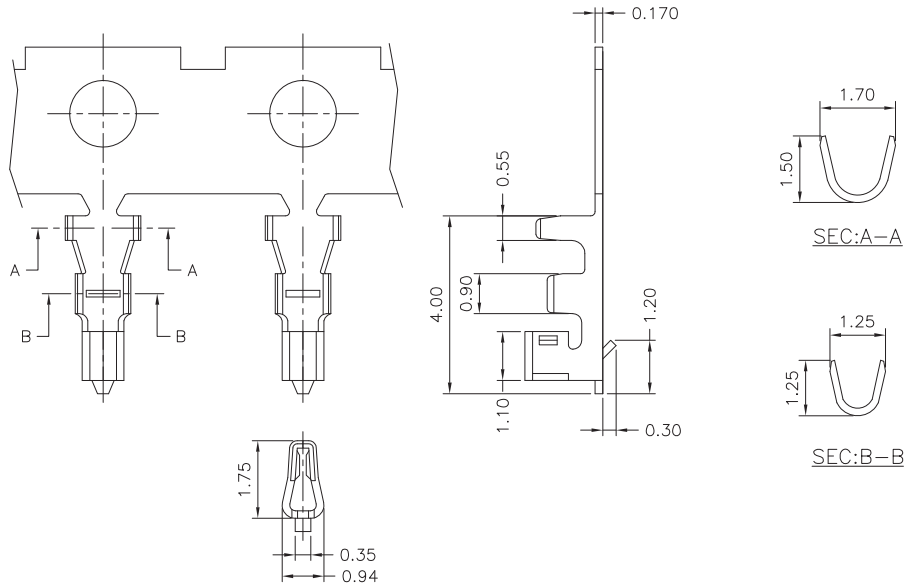
1.25mm pitch wire to board connector

A1251-T

1.25mm pitch Crimp Terminal

Reference Informations:

*Used in A1251 series Housing



Ordering Information & Specifications:

Unit:mm

Part No.	Wire Range	Insulation O.D.	Material	Finish	Qty/reel
A1251-TPE	AWG#28-#32	1.00mm(max)	Phosphor Bronze	Tin-plated	10,000pcs

Note:E-Stamping before Tin-plated

A1251H

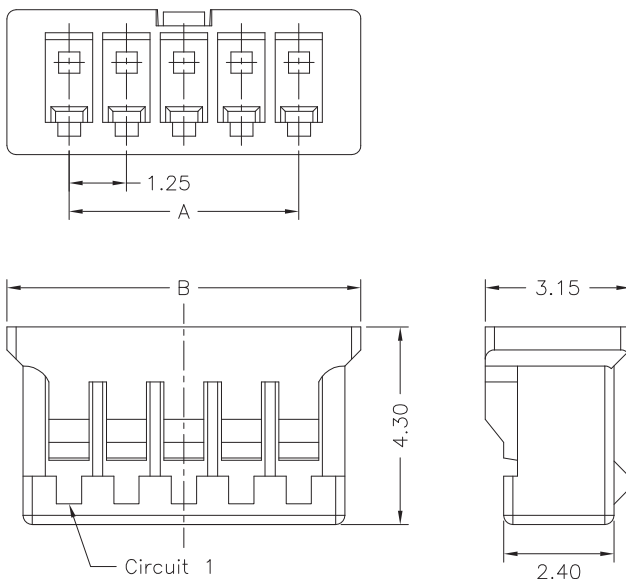
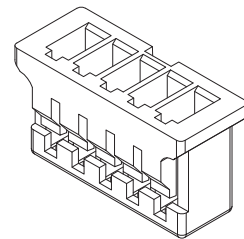
1.25mm pitch Housing

Reference Informations:

*Material: Nylon 66,UL94V-0

*Suitable A1251 series Terminal

*Mates with A1251 series Wafer



Ordering Information & Dimensions:

PART NO.	Dimensions	
	A	B
A1251H-02P	1.25	3.95
A1251H-03P	2.50	5.20
A1251H-04P	3.75	6.45
A1251H-05P	5.00	7.70
A1251H-06P	6.25	8.95
A1251H-07P	7.50	10.20
A1251H-08P	8.75	11.45
A1251H-09P	10.00	12.70
A1251H-10P	11.25	13.95
A1251H-11P	12.50	15.20
A1251H-12P	13.75	16.45
A1251H-13P	15.00	17.70
A1251H-14P	16.25	18.95
A1251H-15P	17.50	20.20

Unit:mm

A1251 SERIES

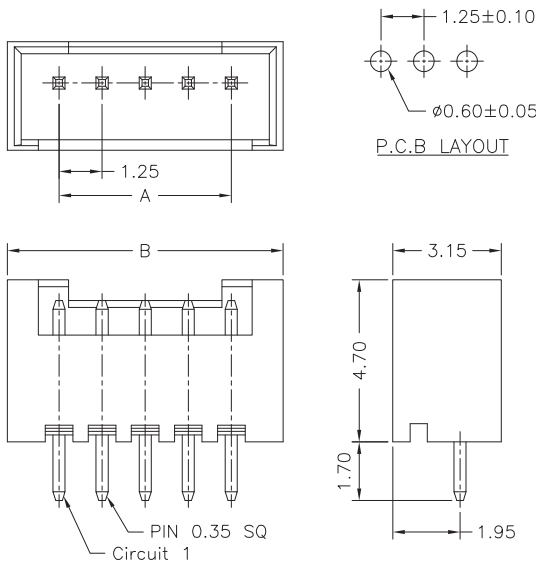
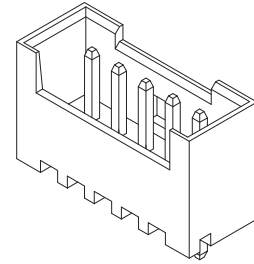
1.25mm pitch wire to board connector

A1251WV

1.25mm pitch 180° Wafer

Reference Informations:

- *Material: Pin: Brass/Tin-plated
Wafer: Nylon 66,UL94V-0
- *Mates with A1251 series Housing



Ordering Information & Dimensions:

PART NO.	Dimensions	
	A	B
A1251WV-02P	1.25	4.25
A1251WV-03P	2.50	5.50
A1251WV-04P	3.75	6.75
A1251WV-05P	5.00	8.00
A1251WV-06P	6.25	9.25
A1251WV-07P	7.50	10.50
A1251WV-08P	8.75	11.75
A1251WV-09P	10.00	13.00
A1251WV-10P	11.25	14.25
A1251WV-11P	12.50	15.50
A1251WV-12P	13.75	16.75
A1251WV-13P	15.00	18.00
A1251WV-14P	16.25	19.25
A1251WV-15P	17.50	20.50

Unit:mm

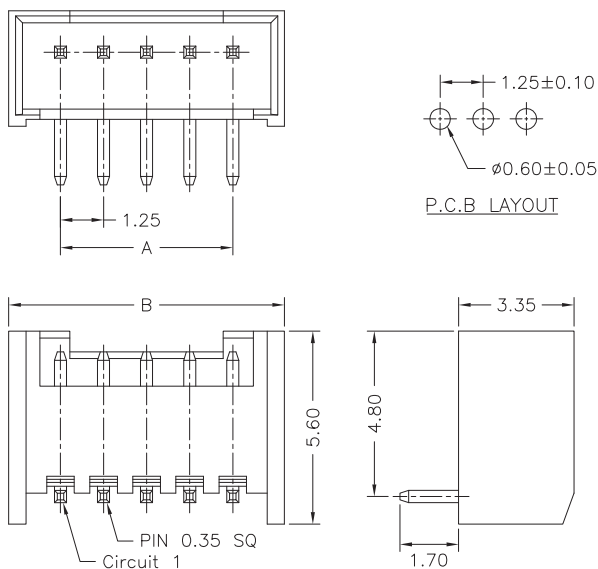
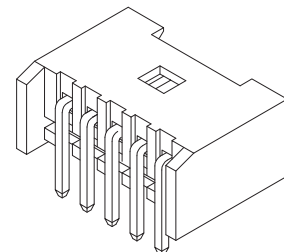
A
B
C
F
ST
HRJ
DC

A1251WR

1.25mm pitch 90° Wafer

Reference Informations:

- *Material: Pin: Brass/Tin-plated
Wafer: Nylon 66,UL94V-0
- *Mates with A1251 series Housing

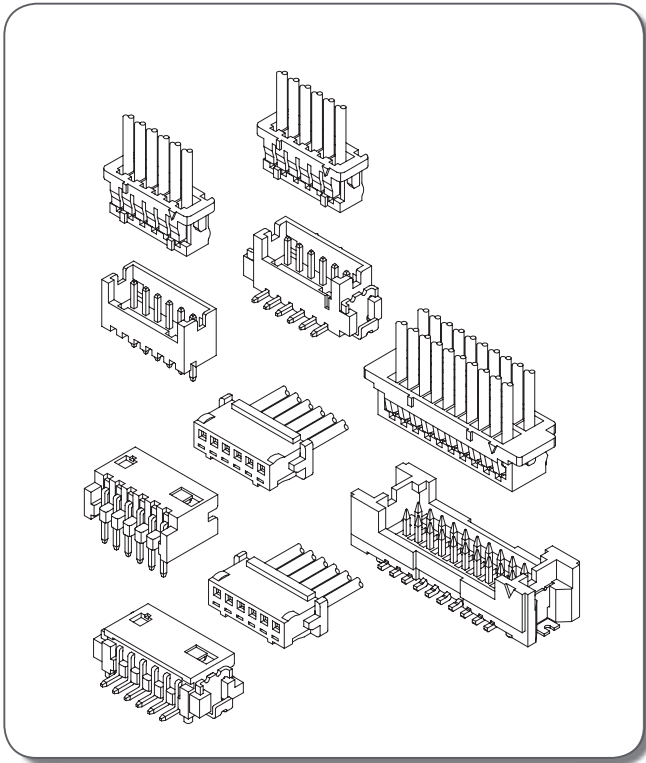


Ordering Information & Dimensions:

PART NO.	Dimensions	
	A	B
A1251WR-02P	1.25	4.25
A1251WR-03P	2.50	5.50
A1251WR-04P	3.75	6.75
A1251WR-05P	5.00	8.00
A1251WR-06P	6.25	9.25
A1251WR-07P	7.50	10.50
A1251WR-08P	8.75	11.75
A1251WR-09P	10.00	13.00
A1251WR-10P	11.25	14.25
A1251WR-11P	12.50	15.50
A1251WR-12P	13.75	16.75
A1251WR-13P	15.00	18.00
A1251WR-14P	16.25	19.25
A1251WR-15P	17.50	20.50

Unit:mm

A
B
C
F
ST
HRJ
DC

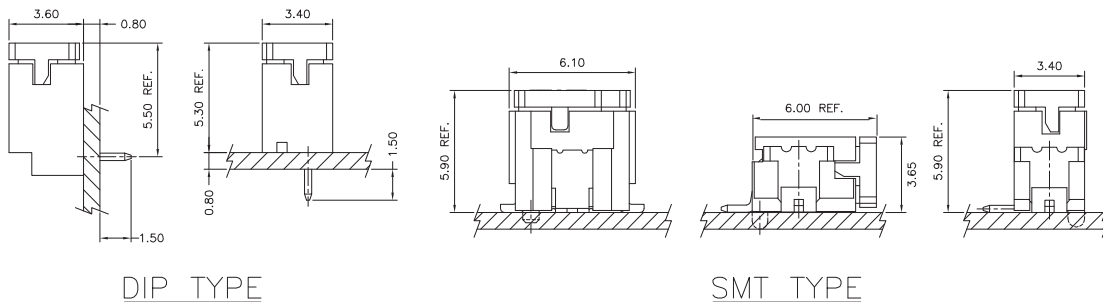


Specifications

Current rating: 1A AC,DC
 Voltage rating: 150V AC,DC
 Temperature range: -25°C ~ +85°C
 Contact resistance: 30mΩ Max.
 Insulation resistance: 500MΩ Min.
 Withstanding voltage: 500V AC/minute

Standards

Assembly layout



Ordering code

① ② ③ ④ ⑤
A1252 - T P E - A

- ① Series No.
- ② Plating code: T=Tin-plated, G=Gold-flash
- ③ Material: P=Phosphor bronze
- ④ E=Stamping before plating
- ⑤ Option code: -A=Type A

① ② ③ ④ ⑤ ⑥
A1252 H A - 2X 05P - BK

- ① Series No.
- ② H=Housing
- ③ Blank=Normal type, A=Lock type
- ④ Blank=Single row, 2X=Dual row
- ⑤ No. of circuits
- ⑥ Option code: -BK=Black

① ② ③ ④ ⑤ ⑥
A1252 WV - SF - 2X 05P D01

- ① Series No.
- ② Connector type: WV=Vertical, WR=Right angle
- ③ Mounting type: Blank=Through hole
 -SF=SMT with boss
 -S=SMT without boss
- ④ Blank=Single row, 2X=Dual row
- ⑤ No. of circuits
- ⑥ Option code:
 46G=Nylon 46, Gold-flash(Through hole type only)
 D01=Gold-flash, Taping reel(SMT type only)
 D11=Black, Gold-flash, Taping reel(SMT type only)

A1252 SERIES

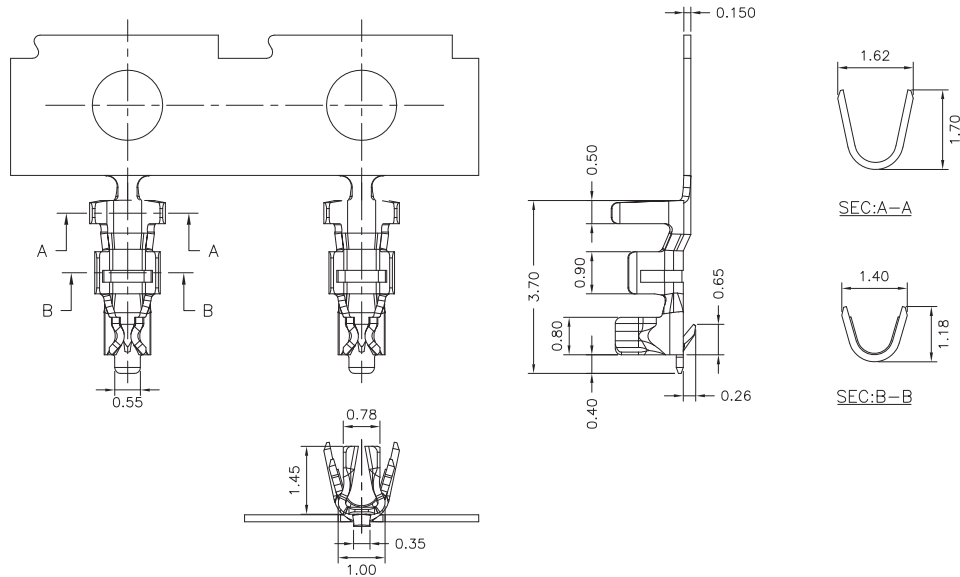
1.25mm pitch wire to board connector

A1252-T

1.25mm pitch Crimp Terminal

Reference Informations:

*Used in A1252 series Housing



A
B
C
F
ST
HRJ
DC

Ordering Information & Specifications:

Unit:mm

Part No.	Wire Range	Insulation O.D.	Material	Finish	Qty/reel
A1252-TPE-A	AWG#26-#30	1.00mm(max)	Phosphor Bronze	Tin-plated	10,000pcs
A1252-GPE-A	AWG#26-#30	1.01mm(max)	Phosphor Bronze	Gold-flash	10,000pcs

Note:E-Stamping before Tin-plated or Gold-flash

A1252H

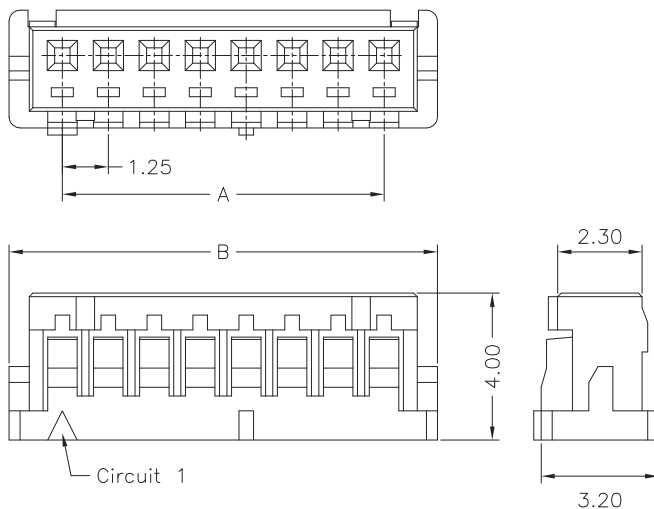
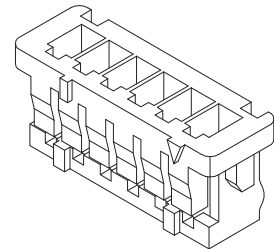
1.25mm pitch Single Row Housing

Reference Informations:

*Material: Nylon 66,UL94V-0

*Suitable A1252 series Terminal

*Mates with A1252 series single row Wafer



Ordering Information & Dimensions:

PART NO.	Dimensions	
	A	B
A1252H-02P	1.25	4.15
A1252H-03P	2.50	5.40
A1252H-04P	3.75	6.65
A1252H-05P	5.00	7.90
A1252H-06P	6.25	9.15
A1252H-07P	7.50	10.40
A1252H-08P	8.75	11.65
A1252H-09P	10.00	12.90
A1252H-10P	11.25	14.15
A1252H-11P	12.50	15.40
A1252H-12P	13.75	16.65
A1252H-13P	15.00	17.90
A1252H-14P	16.25	19.15
A1252H-15P	17.50	20.40

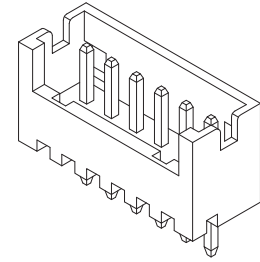
Unit:mm

A1252WV

1.25mm pitch 180° Single Row Wafer

Reference Informations:

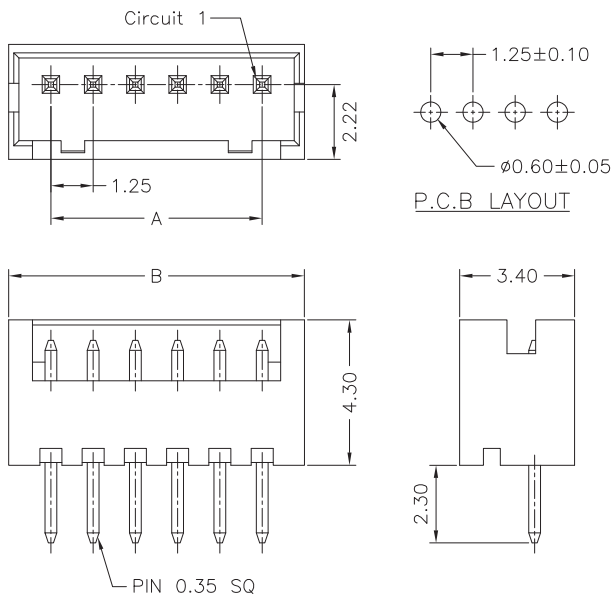
- *Material: Pin: Brass/Tin-plated
Wafer: Nylon 66,UL94V-0
- *Mates with A1252 series single row Housing
- *Nylon 46 is available



Ordering Information & Dimensions:

PART NO.	Dimensions	
	A	B
A1252WV-02P	1.25	3.75
A1252WV-03P	2.50	5.00
A1252WV-04P	3.75	6.25
A1252WV-05P	5.00	7.50
A1252WV-06P	6.25	8.75
A1252WV-07P	7.50	10.00
A1252WV-08P	8.75	11.25
A1252WV-09P	10.00	12.50
A1252WV-10P	11.25	13.75
A1252WV-11P	12.50	15.00
A1252WV-12P	13.75	16.25
A1252WV-13P	15.00	17.50
A1252WV-14P	16.25	18.75
A1252WV-15P	17.50	20.00

Unit:mm

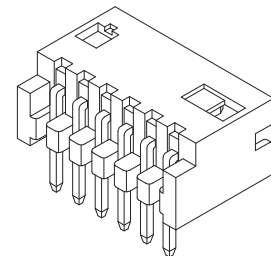


A1252WR

1.25mm pitch 90° Single Row Wafer

Reference Informations:

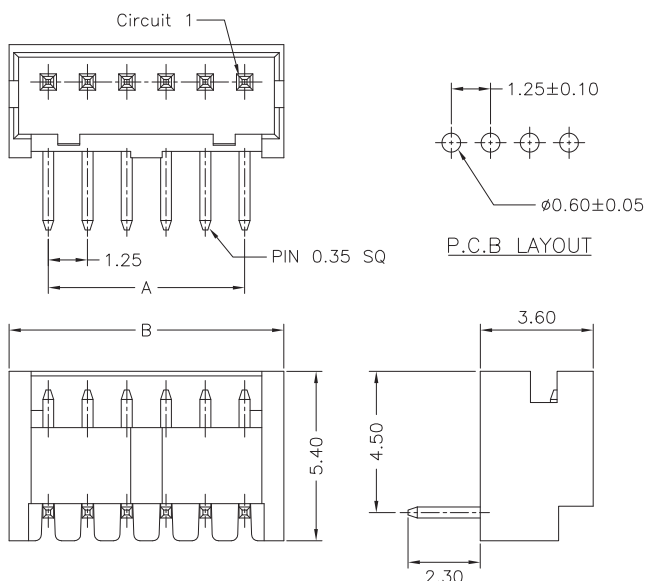
- *Material: Pin: Brass/Tin-plated
Wafer: Nylon 66,UL94V-0
- *Mates with A1252 series single row Housing
- *Nylon 46 is available



Ordering Information & Dimensions:

PART NO.	Dimensions	
	A	B
A1252WR-02P	1.25	3.75
A1252WR-03P	2.50	5.00
A1252WR-04P	3.75	6.25
A1252WR-05P	5.00	7.50
A1252WR-06P	6.25	8.75
A1252WR-07P	7.50	10.00
A1252WR-08P	8.75	11.25
A1252WR-09P	10.00	12.50
A1252WR-10P	11.25	13.75
A1252WR-11P	12.50	15.00
A1252WR-12P	13.75	16.25
A1252WR-13P	15.00	17.50
A1252WR-14P	16.25	18.75
A1252WR-15P	17.50	20.00

Unit:mm



A1252 SERIES

1.25mm pitch wire to board connector

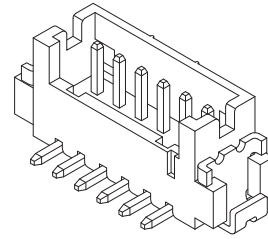
A1252WV-SF

— 1.25mm pitch 180° Single Row Wafer With Boss - SMT TYPE —

Reference Informations:

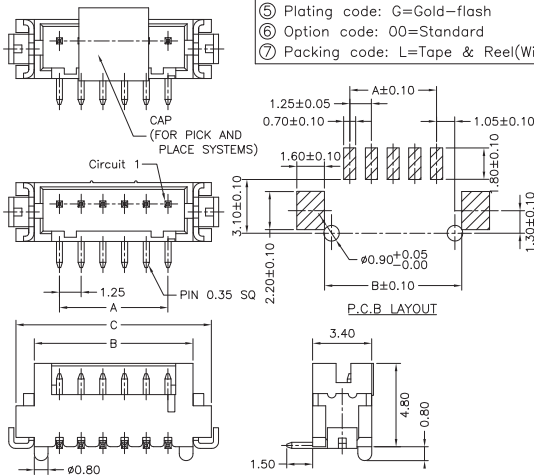
- *Material: Pin: Brass/Gold-flash
Solder Tabs: Phosphor Bronze/Gold-flash
Wafer: Nylon 6T,UL94V-0
Cap: Nylon 6T,UL94V-0

*Mates with A1252 series single row Housing



	A1252WV-SF-05P						
	N	6	B	G1	G	00	L
①	②	③	④	⑤	⑥	⑦	

- ① N=Halogen Free
- ② Material: 6=Nylon 6T
- ③ Color: B=Black
- ④ Plating code: G1=Gold-flash
- ⑤ Plating code: G=Gold-flash
- ⑥ Option code: 00=Standard
- ⑦ Packing code: L=Tape & Reel(With Cap)



Ordering Information & Dimensions:

PART NO.	Dimensions		
	A	B	C
A1252WV-SF-02PD01	1.25	4.15	6.25
A1252WV-SF-03PD01	2.50	5.40	7.50
A1252WV-SF-04PD01	3.75	6.65	8.75
A1252WV-SF-05PD01	5.00	7.90	10.00
A1252WV-SF-06PD01	6.25	9.15	11.25
A1252WV-SF-07PD01	7.50	10.40	12.50
A1252WV-SF-08PD01	8.75	11.65	13.75
A1252WV-SF-09PD01	10.00	12.90	15.00
A1252WV-SF-10PD01	11.25	14.15	16.25
A1252WV-SF-11PD01	12.50	15.40	17.50
A1252WV-SF-12PD01	13.75	16.65	18.75
A1252WV-SF-13PD01	15.00	17.90	20.00
A1252WV-SF-14PD01	16.25	19.15	21.25
A1252WV-SF-15PD01	17.50	20.40	22.50

Unit:mm

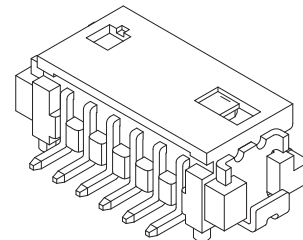
A1252WR-SF

— 1.25mm pitch 90° Single Row Wafer With Boss - SMT TYPE —

Reference Informations:

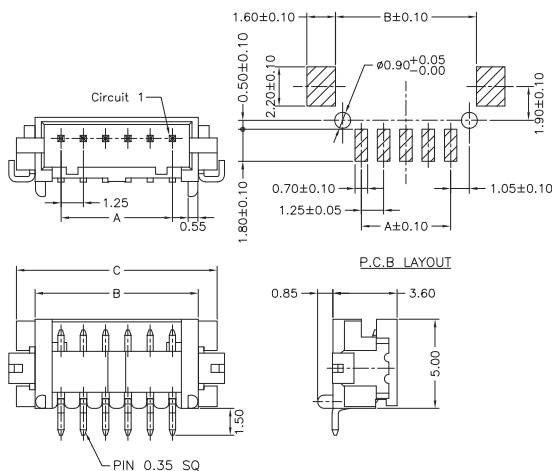
- *Material: Pin: Brass/Gold-flash
Solder Tabs: Phosphor Bronze/Gold-flash
Wafer: Nylon 6T,UL94V-0

*Mates with A1252 series single row Housing



	A1252WR-SF-05P						
	N	6	B	G1	G	00	R
①	②	③	④	⑤	⑥	⑦	

- ① N=Halogen Free
- ② Material: 6=Nylon 6T
- ③ Color: B=Black
- ④ Plating code: G1=Gold-flash
- ⑤ Plating code: G=Gold-flash
- ⑥ Option code: 00=Standard
- ⑦ Packing code: R=Tape & Reel



Ordering Information & Dimensions:

PART NO.	Dimensions		
	A	B	C
A1252WR-SF-02PD01	1.25	4.15	6.25
A1252WR-SF-03PD01	2.50	5.40	7.50
A1252WR-SF-04PD01	3.75	6.65	8.75
A1252WR-SF-05PD01	5.00	7.90	10.00
A1252WR-SF-06PD01	6.25	9.15	11.25
A1252WR-SF-07PD01	7.50	10.40	12.50
A1252WR-SF-08PD01	8.75	11.65	13.75
A1252WR-SF-09PD01	10.00	12.90	15.00
A1252WR-SF-10PD01	11.25	14.15	16.25
A1252WR-SF-11PD01	12.50	15.40	17.50
A1252WR-SF-12PD01	13.75	16.65	18.75
A1252WR-SF-13PD01	15.00	17.90	20.00
A1252WR-SF-14PD01	16.25	19.15	21.25
A1252WR-SF-15PD01	17.50	20.40	22.50

Unit:mm

A
B
C
F
ST
HRJ
DC

A1252 SERIES

1.25mm pitch wire to board connector

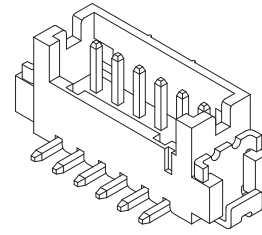
A1252WV-S

1.25mm pitch 180° Single Row Wafer - SMT TYPE

Reference Informations:

- *Material: Pin: Brass/Gold-flash
- Solder Tabs: Phosphor Bronze/Gold-flash
- Wafer: Nylon 6T,UL94V-0
- Cap: Nylon 6T,UL94V-0

*Mates with A1252 series single row Housing

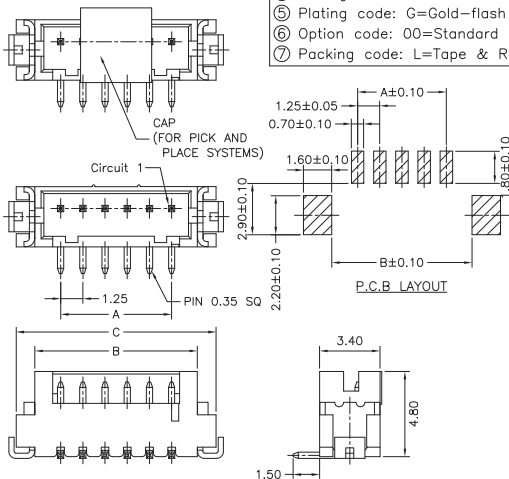


Ordering Information & Dimensions:

PART NO.	Dimensions		
	A	B	C
A1252WV-S-02PD01	1.25	4.15	6.25
A1252WV-S-03PD01	2.50	5.40	7.50
A1252WV-S-04PD01	3.75	6.65	8.75
A1252WV-S-05PD01	5.00	7.90	10.00
A1252WV-S-06PD01	6.25	9.15	11.25
A1252WV-S-07PD01	7.50	10.40	12.50
A1252WV-S-08PD01	8.75	11.65	13.75
A1252WV-S-09PD01	10.00	12.90	15.00
A1252WV-S-10PD01	11.25	14.15	16.25
A1252WV-S-11PD01	12.50	15.40	17.50
A1252WV-S-12PD01	13.75	16.65	18.75
A1252WV-S-13PD01	15.00	17.90	20.00
A1252WV-S-14PD01	16.25	19.15	21.25
A1252WV-S-15PD01	17.50	20.40	22.50

Unit:mm

A1252WV-S-05P		N	6	B	G1	G	00	L
		①	②	③	④	⑤	⑥	⑦
①	N=Halogen Free							
②	Material: 6=Nylon 6T							
③	Color: B=Black							
④	Plating code: G1=Gold-flash							
⑤	Plating code: G=Gold-flash							
⑥	Option code: 00=Standard							
⑦	Packing code: L=Tape & Reel(With Cap)							



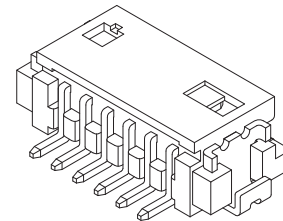
A1252WR-S

1.25mm pitch 90° Single Row Wafer - SMT TYPE

Reference Informations:

- *Material: Pin: Brass/Gold-flash
- Solder Tabs: Phosphor Bronze/Gold-flash
- Wafer: Nylon 6T,UL94V-0

*Mates with A1252 series single row Housing

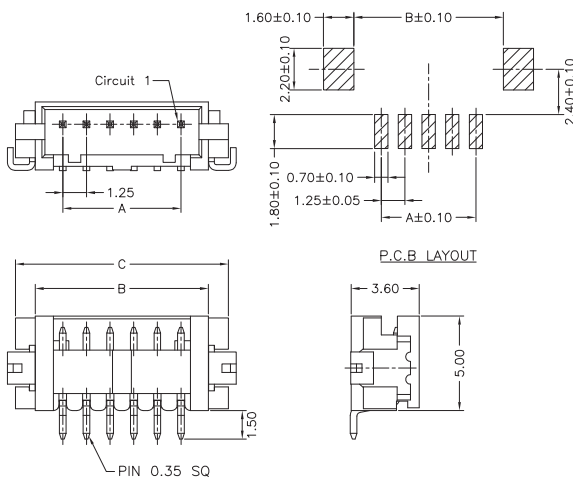


Ordering Information & Dimensions:

PART NO.	Dimensions		
	A	B	C
A1252WR-S-02PD01	1.25	4.15	6.25
A1252WR-S-03PD01	2.50	5.40	7.50
A1252WR-S-04PD01	3.75	6.65	8.75
A1252WR-S-05PD01	5.00	7.90	10.00
A1252WR-S-06PD01	6.25	9.15	11.25
A1252WR-S-07PD01	7.50	10.40	12.50
A1252WR-S-08PD01	8.75	11.65	13.75
A1252WR-S-09PD01	10.00	12.90	15.00
A1252WR-S-10PD01	11.25	14.15	16.25
A1252WR-S-11PD01	12.50	15.40	17.50
A1252WR-S-12PD01	13.75	16.65	18.75
A1252WR-S-13PD01	15.00	17.90	20.00
A1252WR-S-14PD01	16.25	19.15	21.25
A1252WR-S-15PD01	17.50	20.40	22.50

Unit:mm

A1252WR-S-05P		N	6	B	G1	G	00	R
		①	②	③	④	⑤	⑥	⑦
①	N=Halogen Free							
②	Material: 6=Nylon 6T							
③	Color: B=Black							
④	Plating code: G1=Gold-flash							
⑤	Plating code: G=Gold-flash							
⑥	Option code: 00=Standard							
⑦	Packing code: R=Tape & Reel							



A1252 SERIES

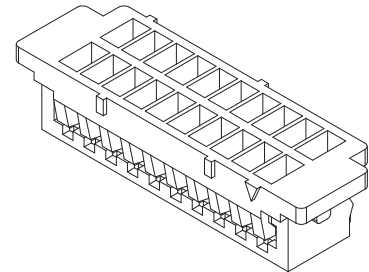
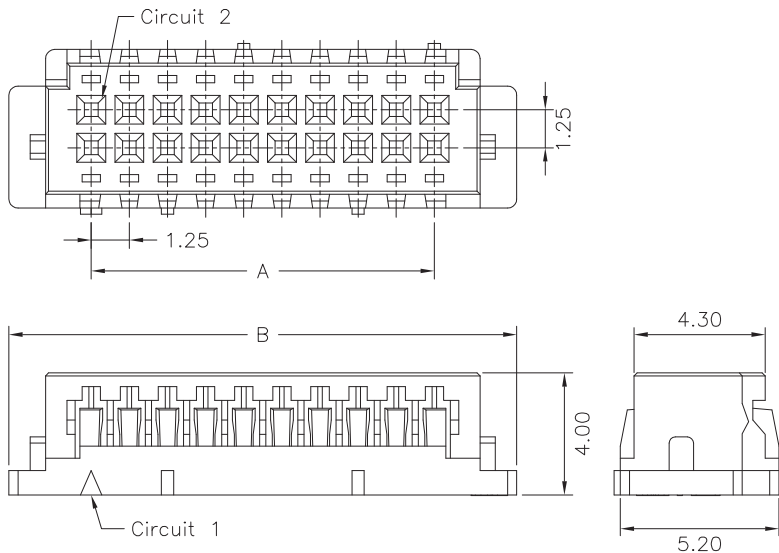
1.25mm pitch wire to board connector

A1252H-2

1.25mm pitch Dual Row Housing

Reference Informations:

- *Material: Nylon 66,UL94V-0
- *Suitable A1252 series Terminal
- *Mates with A1252 series dual row Wafer



Ordering Information & Dimensions:

PART NO.	Dimensions	
	A	B
A1252H-2X05P	5.00	10.40
A1252H-2X06P	6.25	11.65
A1252H-2X07P	7.50	12.90
A1252H-2X10P	11.25	16.65
A1252H-2X15P	17.50	22.90
A1252H-2X20P	23.75	29.15

Unit:mm

A
B
C
F
ST
HRJ
DC

A1252WV-SF-2

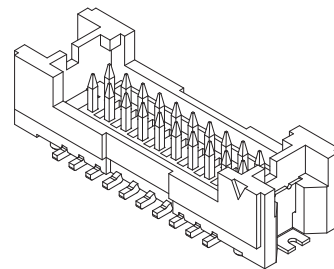
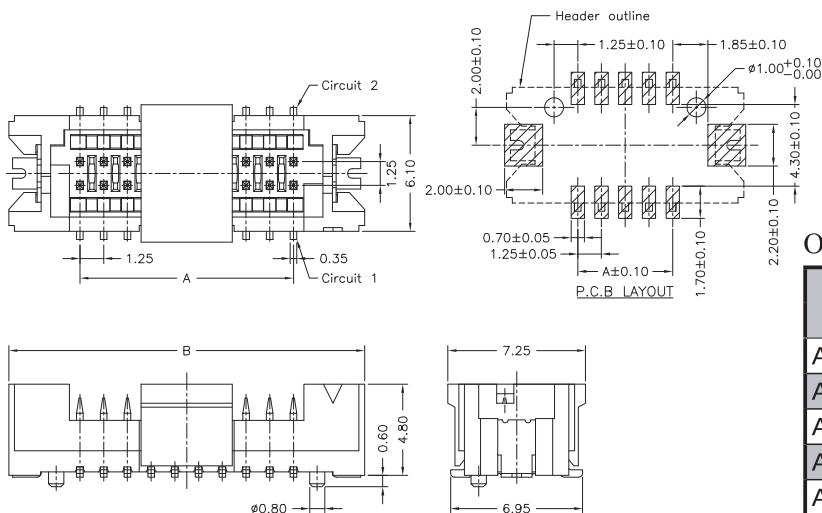
1.25mm pitch 180° Dual Row Wafer - SMT TYPE

Reference Informations:

- *Material: Pin: Brass/Gold-flash
Solder Tabs: Brass/Gold-flash
Wafer: Nylon 6T,UL94V-0
Cap: Nylon 6T,UL94V-0
- *Mates with A1252 series dual row Housing

	A1252WV-SF-2X05P N 6 B G1 G 00 L						
	①	②	③	④	⑤	⑥	⑦

① N=Halogen Free
 ② Material: 6=Nylon 6T
 ③ Color: B=Black
 ④ Plating code: G1=Gold-flash
 ⑤ Plating code: G=Gold-flash, T=Tin-plated
 ⑥ Option code: 00=Standard
 ⑦ Packing code: L=Tape & Reel(With Cap)



Ordering Information & Dimensions:

PART NO.	Dimensions	
	A	B
A1252WV-SF-2X05PD01	5.00	12.50
A1252WV-SF-2X06PD01	6.25	13.75
A1252WV-SF-2X07PD01	7.50	15.00
A1252WV-SF-2X10PD01	11.25	18.75
A1252WV-SF-2X15PD01	17.50	25.00
A1252WV-SF-2X17PD01	20.00	27.50
A1252WV-SF-2X20PD01	23.75	31.25

Unit:mm

A1252 SERIES

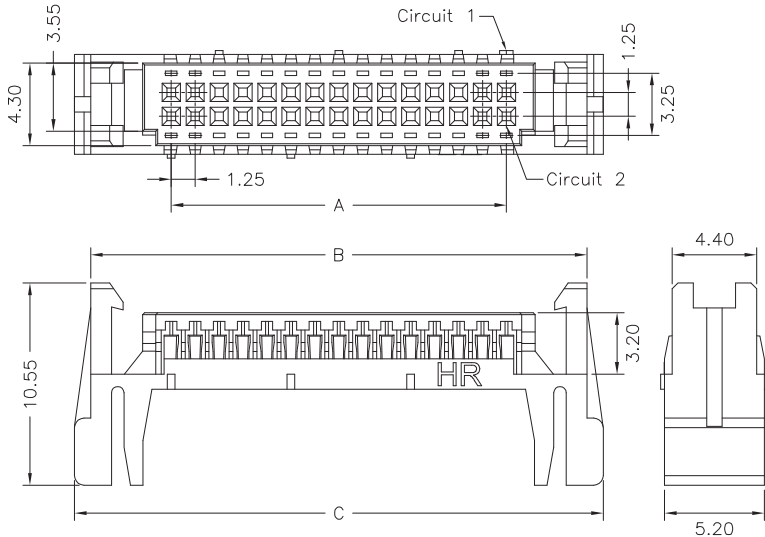
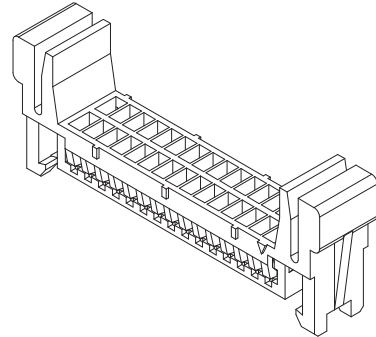
1.25mm pitch wire to board connector

A1252HA-2

1.25mm pitch Dual Row Housing - LOCK TYPE

Reference Informations:

- *Material: Nylon 66,UL94V-0
- *Suitable A1252 series Terminal
- *Mates with A1252 WVA series dual row Wafer



Ordering Information & Dimensions:

PART NO.	Dimensions		
	A	B	C
A1252HA-2X05P	5.00	13.40	15.10
A1252HA-2X06P	6.25	14.65	16.35
A1252HA-2X07P	7.50	15.90	17.60
A1252HA-2X10P	11.25	19.65	21.35
A1252HA-2X15P	17.50	25.90	27.60
A1252HA-2X20P	23.75	32.15	33.85

Unit:mm

A1252WVA-SF-2

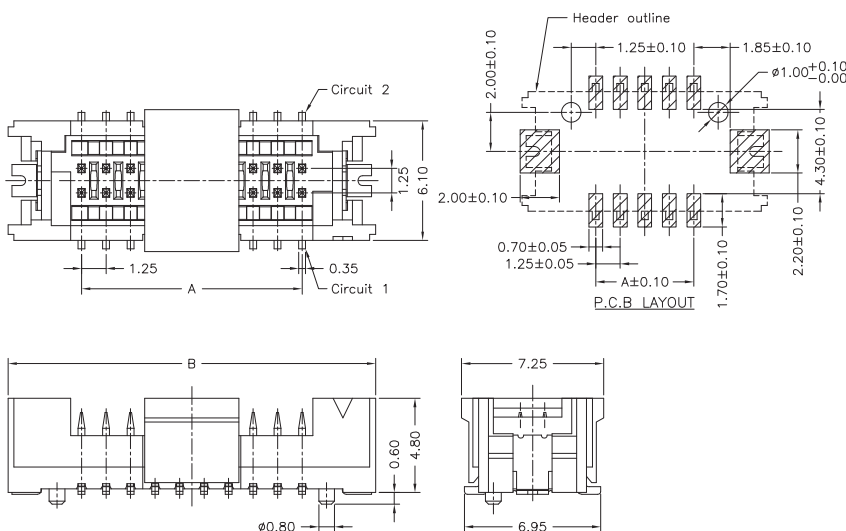
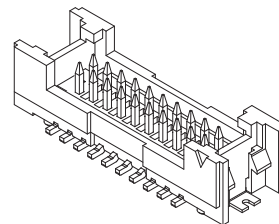
1.25mm pitch 180° Dual Row Wafer - SMT TYPE

Reference Informations:

- *Material: Pin: Brass/Gold-flash
Solder Tabs: Brass/Gold-flash
Wafer: Nylon 6T,UL94V-0
Cap: Nylon 6T,UL94V-0
- *Mates with A1252HA series dual row Housing

A1252WVA-SF-2X05P	N	6	B	G1	G	00	L
	①	②	③	④	⑤	⑥	⑦

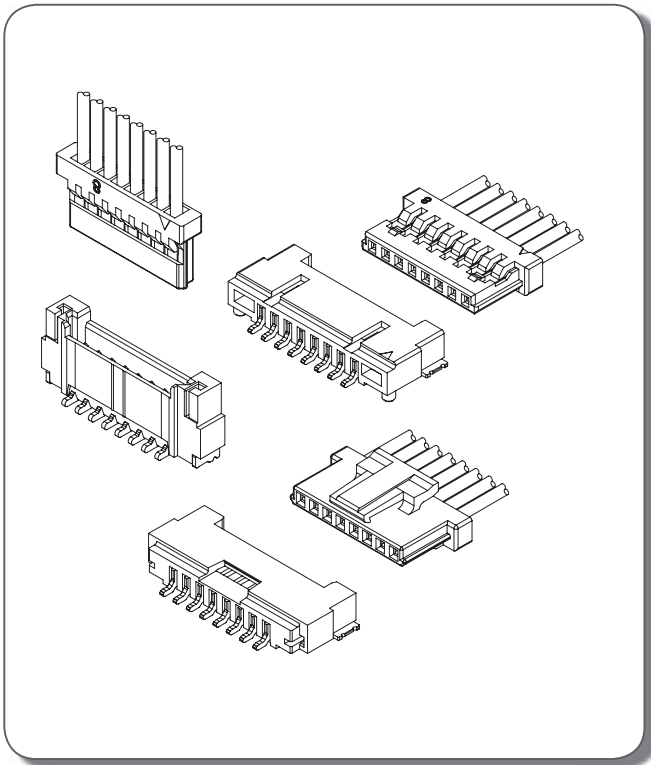
① N=Halogen Free
② Material: 6=Nylon 6T
③ Color: B=Black
④ Plating code: G1=Gold-flash
⑤ Plating code: G=Gold-flash, T=Tin-plated
⑥ Option code: 00=Standard
⑦ Packing code: L=Tape & Reel(With Cap)



Ordering Information & Dimensions:

PART NO.	Dimensions	
	A	B
A1252WVA-SF-2X05PD01	5.00	12.50
A1252WVA-SF-2X06PD01	6.25	13.75
A1252WVA-SF-2X07PD01	7.50	15.00
A1252WVA-SF-2X10PD01	11.25	18.75
A1252WVA-SF-2X15PD01	17.50	25.00
A1252WVA-SF-2X17PD01	20.00	27.75
A1252WVA-SF-2X20PD01	23.75	31.25

Unit:mm



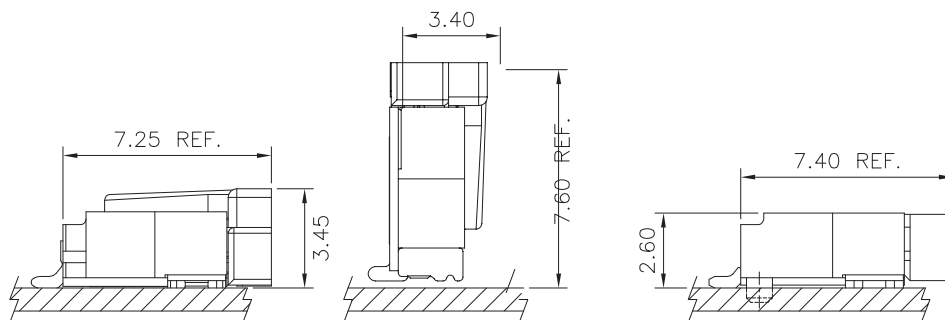
Specifications

Current rating: 1A AC,DC
 Voltage rating: 150V AC,DC
 Temperature range: -25°C ~ +85°C
 Contact resistance: 30mΩ Max.
 Insulation resistance: 500MΩ Min.
 Withstanding voltage: 500V AC/minute

A
B
C
F
ST
HRJ
DC

Standards

Assembly layout



Ordering code

① ② ③ ④ ⑤
A1253-T P E -A

- ① Series No.
- ② Plating code: T=Tin-plated, G=Gold-flash
- ③ Material: P=Phosphor bronze
- ④ E=Stamping before plating
- ⑤ Option code: -1=Type 1, -A=Type A

① ② ③ ④
A1253 H A-05P

- ① Series No.
- ② H=Housing
- ③ Blank=Without lock structure type
A=With lock structure type
- ④ No. of circuits

① ② ③ ④ ⑤ ⑥
A1253 WR A-SF-05P D01

- ① Series No.
- ② Connector type: WV=Vertical, WR=Right angle
- ③ Blank=Without lock structure type
A=With lock structure type
- ④ Mounting type: SF=SMT with boss
S=SMT without boss
- ⑤ No. of circuits
- ⑥ Option code:
D01=Gold-flash, Taping reel

A1253 SERIES

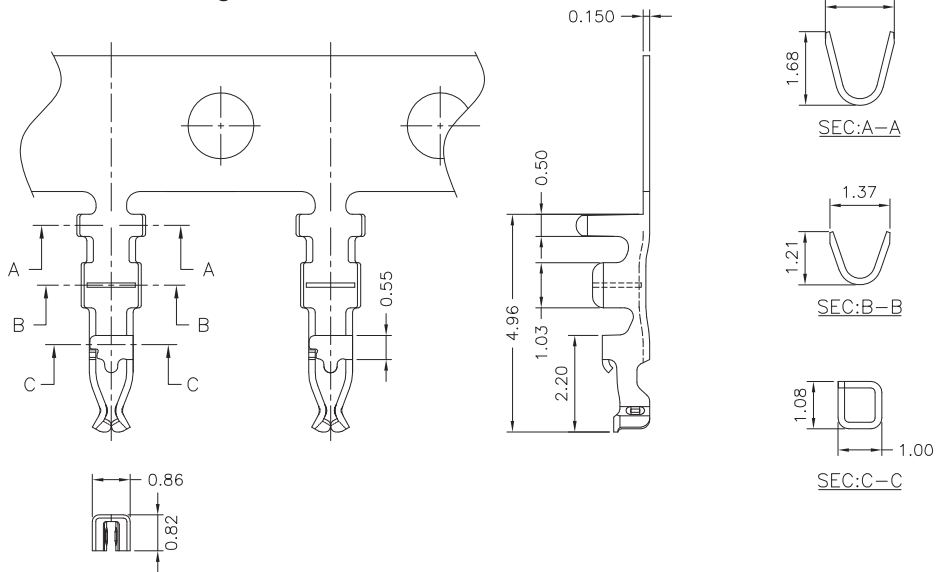
1.25mm pitch wire to board connector

A 1253-T

1.25mm pitch Crimp Terminal

Reference Informations:

*Used in A1253H series Housing



Ordering Information & Specifications:

Unit:mm

Part No.	Wire Range	Insulation O.D.	Material	Finish	Qty/reel
A1253-TPE-1	AWG#26-#32	1.00mm(max)	Phosphor Bronze	Tin-plated	10,000pcs
A1253-GPE-1	AWG#26-#32	1.00mm(max)	Phosphor Bronze	Gold-flash	10,000pcs

Note:E-Stamping before Tin-plated or Gold-flash

A 1253H

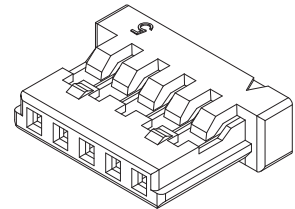
1.25mm pitch Housing

Reference Informations:

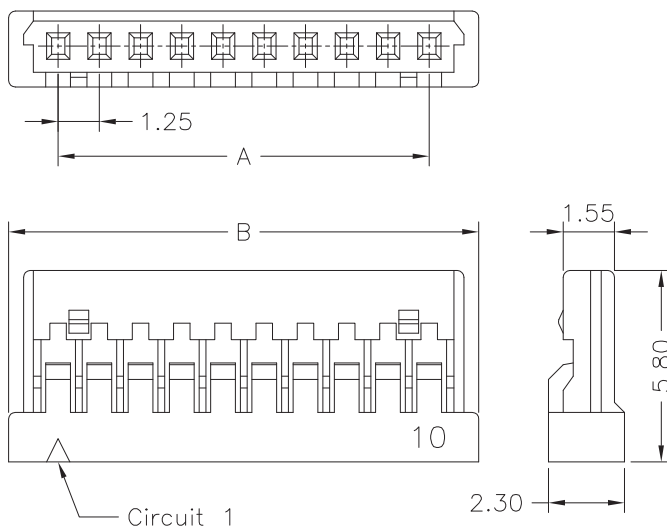
*Material: Nylon 66,UL94V-0

*Suitable A1253 series Terminal

*Mates with A1253WR series Wafer



Ordering Information & Dimensions:



PART NO.	Dimensions	
	A	B
A1253H-02P	1.25	4.25
A1253H-03P	2.50	5.50
A1253H-04P	3.75	6.75
A1253H-05P	5.00	8.00
A1253H-06P	6.25	9.25
A1253H-07P	7.50	10.50
A1253H-08P	8.75	11.75
A1253H-09P	10.00	13.00
A1253H-10P	11.25	14.25
A1253H-11P	12.50	15.50
A1253H-12P	13.75	16.75
A1253H-13P	15.00	18.00
A1253H-14P	16.25	19.25
A1253H-15P	17.50	20.50
A1253H-20P	23.75	26.75
A1253H-21P	25.00	28.00
A1253H-25P	30.00	33.00
A1253H-30P	36.25	39.25

Unit:mm

A1253 SERIES

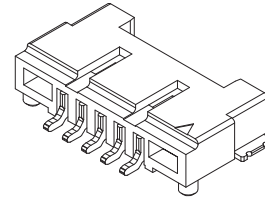
1.25mm pitch wire to board connector

A1253WR-SF

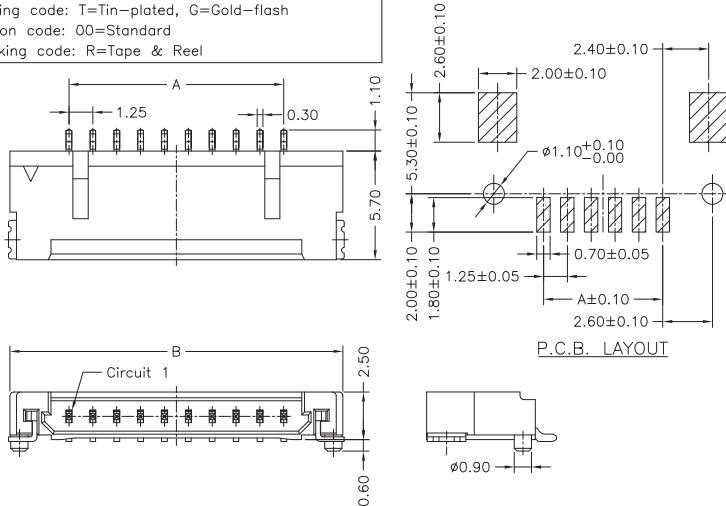
1.25mm pitch 90° Wafer With Boss - SMT TYPE

Reference Informations:

- *Material: Pin: Brass/Tin-plated
Solder Tabs: Brass/Tin-plated
Wafer: Nylon 6T,UL94V-0
- *Mates with A1253H series Housing



	A1253WR-SF-05P	N	6	B	T1	T	00	R
		①	②	③	④	⑤	⑥	⑦
①	N=Halogen Free							
②	Material: 6=Nylon 6T							
③	Color: B=Black							
④	Plating code: T1=Tin-plated, G1=Gold-flash							
⑤	Plating code: T=Tin-plated, G=Gold-flash							
⑥	Option code: 00=Standard							
⑦	Packing code: R=Tape & Reel							



Ordering Information & Dimensions:

PART NO.	Dimensions	
	A	B
A1253WR-SF-02P	1.25	7.45
A1253WR-SF-03P	2.50	8.70
A1253WR-SF-04P	3.75	9.95
A1253WR-SF-05P	5.00	11.20
A1253WR-SF-06P	6.25	12.45
A1253WR-SF-07P	7.50	13.70
A1253WR-SF-08P	8.75	14.95
A1253WR-SF-09P	10.00	16.20
A1253WR-SF-10P	11.25	17.45
A1253WR-SF-11P	12.50	18.70
A1253WR-SF-12P	13.75	19.95
A1253WR-SF-13P	15.00	21.20
A1253WR-SF-14P	16.25	22.45
A1253WR-SF-15P	17.50	23.70
A1253WR-SF-20P	23.75	29.95
A1253WR-SF-21P	25.00	31.20
A1253WR-SF-25P	30.00	36.20
A1253WR-SF-30P	36.25	42.45

Unit:mm

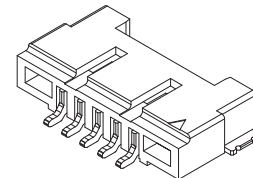
A
B
C
F
ST
HRJ
DC

A1253WR-S

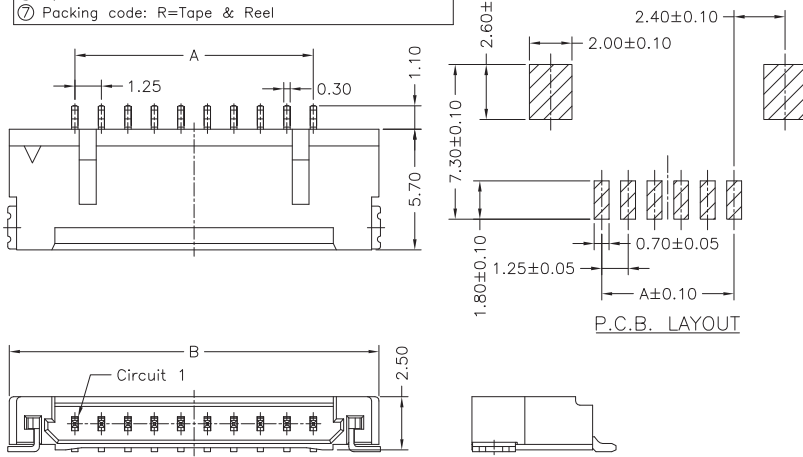
1.25mm pitch 90° Wafer - SMT TYPE

Reference Informations:

- *Material: Pin: Brass/Tin-plated
Solder Tabs: Brass/Tin-plated
Wafer: Nylon 6T,UL94V-0
- *Mates with A1253H series Housing



	A1253WR-S-05P	N	6	B	T1	T	00	R
		①	②	③	④	⑤	⑥	⑦
①	N=Halogen Free							
②	Material: 6=Nylon 6T							
③	Color: B=Black							
④	Plating code: T1=Tin-plated, G1=Gold-flash							
⑤	Plating code: T=Tin-plated, G=Gold-flash							
⑥	Option code: 00=Standard							
⑦	Packing code: R=Tape & Reel							



Ordering Information & Dimensions:

PART NO.	Dimensions	
	A	B
A1253WR-S-02P	1.25	7.45
A1253WR-S-03P	2.50	8.70
A1253WR-S-04P	3.75	9.95
A1253WR-S-05P	5.00	11.20
A1253WR-S-06P	6.25	12.45
A1253WR-S-07P	7.50	13.70
A1253WR-S-08P	8.75	14.95
A1253WR-S-09P	10.00	16.20
A1253WR-S-10P	11.25	17.45
A1253WR-S-11P	12.50	18.70
A1253WR-S-12P	13.75	19.95
A1253WR-S-13P	15.00	21.20
A1253WR-S-14P	16.25	22.45
A1253WR-S-15P	17.50	23.70
A1253WR-S-20P	23.75	29.95
A1253WR-S-21P	25.00	31.20
A1253WR-S-25P	30.00	36.20
A1253WR-S-30P	36.25	42.45

Unit:mm

A1253 SERIES

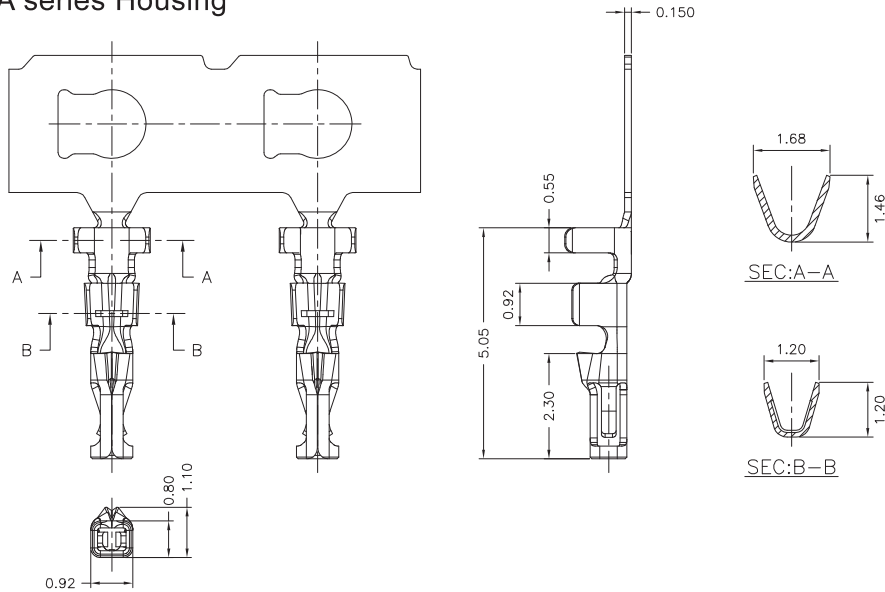
1.25mm pitch wire to board connector

A1253-T

—1.25mm pitch Crimp Terminal - A TYPE—

Reference Informations:

*Used in A1253HA series Housing



Ordering Information & Specifications:

Unit:mm

Part No.	Wire Range	Insulation O.D.	Material	Finish	Qty/reel
A1253-TPE-A	AWG#28-#32	0.90mm(max)	Phosphor Bronze	Tin-plated	15,000pcs
A1253-GPE-A	AWG#28-#32	0.90mm(max)	Phosphor Bronze	Gold-flash	15,000pcs

Note:E-Stamping before Tin-plated or Gold-flash

A1253HA

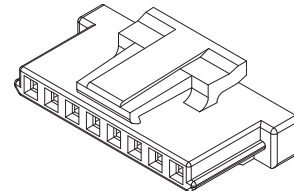
—1.25mm pitch Housing - A TYPE—

Reference Informations:

*Material: Nylon 66,UL94V-0

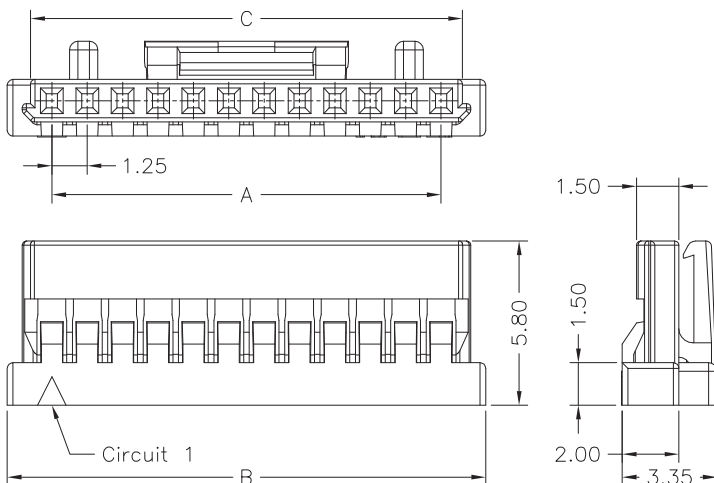
*Suitable A1253 series Terminal - A TYPE

*Mates with A1253WVA,WRA series Wafer



	A1253HA-05P	N	0	W	NP	N	00	G
		①	②	③	④	⑤	⑥	⑦

① N=Halogen Free
 ② Material: 0=Nylon 66-V0
 ③ Color: W=White
 ④ Plating code: NP=Non-plating
 ⑤ Plating code: N=Non-plating
 ⑥ Option code: 00=Standard
 ⑦ Packing code: G=Bag



Ordering Information & Dimensions:

PART NO.	Dimensions		
	A	B	C
A1253HA-02P	1.25	4.40	2.75
A1253HA-03P	2.50	5.65	4.00
A1253HA-04P	3.75	6.90	5.25
A1253HA-05P	5.00	8.15	6.50
A1253HA-06P	6.25	9.40	7.75
A1253HA-07P	7.50	10.65	9.00
A1253HA-08P	8.75	11.90	10.25
A1253HA-09P	10.00	13.15	11.50
A1253HA-10P	11.25	14.40	12.75
A1253HA-11P	12.50	15.65	14.00
A1253HA-12P	13.75	16.90	15.25
A1253HA-13P	15.00	18.15	16.50
A1253HA-14P	16.25	19.40	17.75
A1253HA-15P	17.50	20.65	19.00
A1253HA-20P	23.75	26.90	25.25
A1253HA-25P	30.00	33.15	31.50
A1253HA-30P	36.25	39.40	37.75

Unit:mm

A1253 SERIES

1.25mm pitch wire to board connector

A1253WVA-S

1.25mm pitch 180° Wafer - SMT TYPE, A TYPE

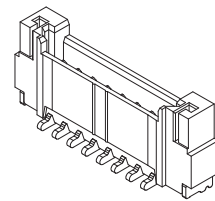
Reference Informations:

- *Material: Pin: Brass/Tin-plated
- Solder Tabs: Brass/Tin-plated
- Wafer: Nylon 6T,UL94V-0
- Cap: Nylon 6T,UL94V-0

*Mates with A1253HA series Housing

	A1253WVA-S-05P	N	6	B	T1	T	00	L
		①	②	③	④	⑤	⑥	⑦

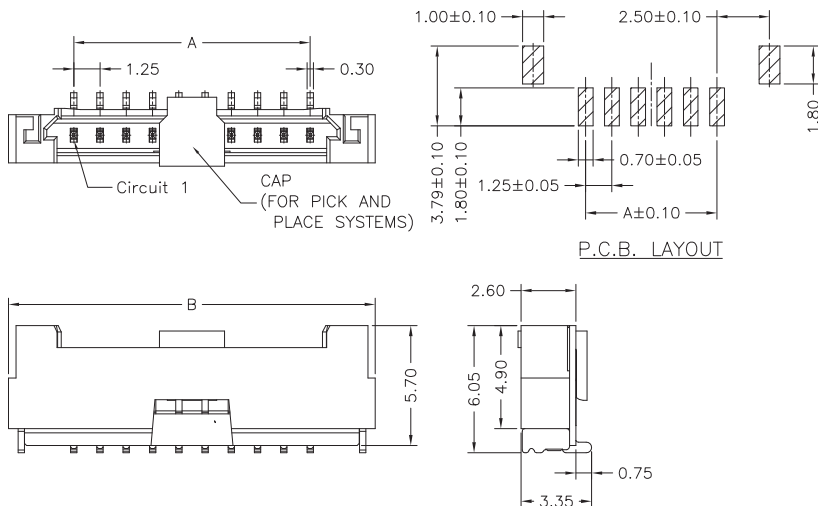
- ① N=Halogen Free
- ② Material: 6=Nylon 6T
- ③ Color: B=Black
- ④ Plating code: T1=Tin-plated, G1=Gold-flash
- ⑤ Plating code: T=Tin-plated, G=Gold-flash
- ⑥ Option code: 00=Standard
- ⑦ Packing code: L=Tape & Reel(With Cap)



Ordering Information & Dimensions:

PART NO.	Dimensions	
	A	B
A1253WVA-S-02P	1.25	7.45
A1253WVA-S-03P	2.50	8.70
A1253WVA-S-04P	3.75	9.95
A1253WVA-S-05P	5.00	11.20
A1253WVA-S-06P	6.25	12.45
A1253WVA-S-07P	7.50	13.70
A1253WVA-S-08P	8.75	14.95
A1253WVA-S-09P	10.00	16.20
A1253WVA-S-10P	11.25	17.45
A1253WVA-S-11P	12.50	18.70
A1253WVA-S-12P	13.75	19.95
A1253WVA-S-13P	15.00	21.20
A1253WVA-S-14P	16.25	22.45
A1253WVA-S-15P	17.50	23.70
A1253WVA-S-20P	23.75	29.95
A1253WVA-S-25P	30.00	36.20
A1253WVA-S-30P	36.25	42.45

Unit:mm



A
B
C
F
ST
HRJ
DC

A1253WRA-S

1.25mm pitch 90° Wafer - SMT TYPE, A TYPE

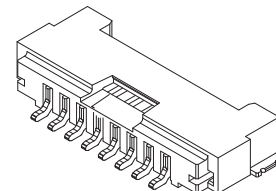
Reference Informations:

- *Material: Pin: Brass/Tin-plated
- Solder Tabs: Brass/Tin-plated
- Wafer: Nylon 6T,UL94V-0

*Mates with A1253HA series Housing

	A1253WRA-S-05P	N	6	B	T1	T	00	R
		①	②	③	④	⑤	⑥	⑦

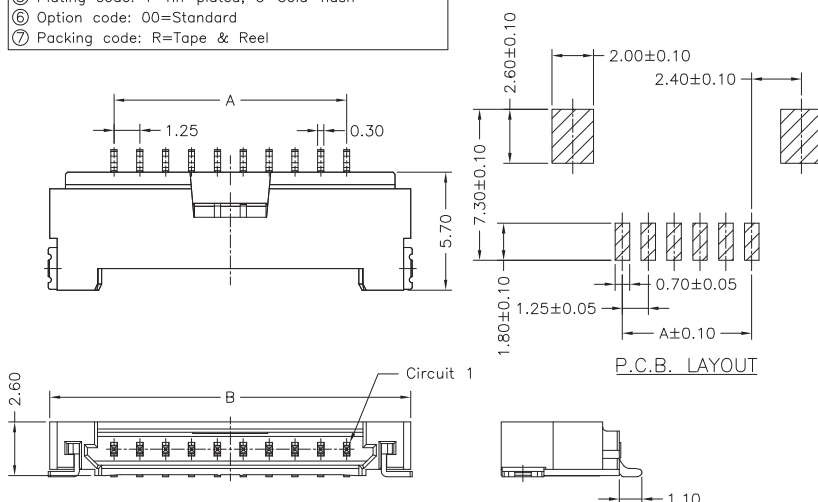
- ① N=Halogen Free
- ② Material: 6=Nylon 6T
- ③ Color: B=Black
- ④ Plating code: T1=Tin-plated, G1=Gold-flash
- ⑤ Plating code: T=Tin-plated, G=Gold-flash
- ⑥ Option code: 00=Standard
- ⑦ Packing code: R=Tape & Reel



Ordering Information & Dimensions:

PART NO.	Dimensions	
	A	B
A1253WRA-S-02P	1.25	7.45
A1253WRA-S-03P	2.50	8.70
A1253WRA-S-04P	3.75	9.95
A1253WRA-S-05P	5.00	11.20
A1253WRA-S-06P	6.25	12.45
A1253WRA-S-07P	7.50	13.70
A1253WRA-S-08P	8.75	14.95
A1253WRA-S-09P	10.00	16.20
A1253WRA-S-10P	11.25	17.45
A1253WRA-S-11P	12.50	18.70
A1253WRA-S-12P	13.75	19.95
A1253WRA-S-13P	15.00	21.20
A1253WRA-S-14P	16.25	22.45
A1253WRA-S-15P	17.50	23.70
A1253WRA-S-20P	23.75	29.95
A1253WRA-S-25P	30.00	36.20
A1253WRA-S-30P	36.25	42.45

Unit:mm

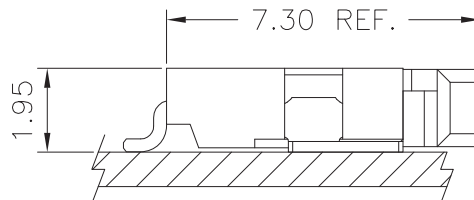


Specifications

Current rating: 1A AC,DC
Voltage rating: 125V AC,DC
Temperature range: -25°C ~ +85°C
Contact resistance: 20mΩ Max.
Insulation resistance: 100MΩ Min.
Withstanding voltage: 500V AC/minute

Standards

Assembly layout



Ordering code

① ② ③ ④
A1254 -G P E

- ① Series No.
- ② Plating code: G=Gold-flash
- ③ Material: P=Phosphor bronze
- ④ E=Stamping before plating

① ② ③
A1254 H -05P

- ① Series No.
- ② H=Housing
- ③ No. of circuits

① ② ③ ④ ⑤
A1254 WR -S -05P D02

- ① Series No.
- ② Connector type: WR=Right angle
- ③ Mounting type: S=SMT
- ④ No. of circuits
- ⑤ Option code:
D02=Pin/Gold-plated, Solder Tabs/Gold-flash,
Taping reel

A1254 SERIES

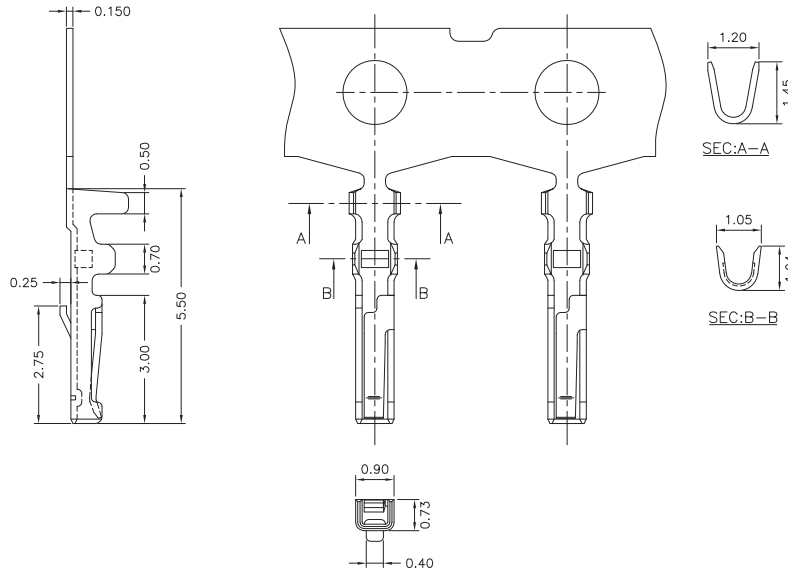
1.25mm pitch wire to board connector

A 1254-T

1.25mm pitch Crimp Terminal

Reference Informations:

*Used in A1254 series Housing



A
B
C
F
ST
HRJ
DC

Ordering Information & Specifications:

Unit:mm

Part No.	Wire Range	Insulation O.D.	Material	Finish	Qty/reel
A1254-GPE	AWG#28-#32	0.90mm(max)	Phosphor Bronze	Gold-flash	10,000pcs

Note:E-Stamping before Gold-flash

A 1254H

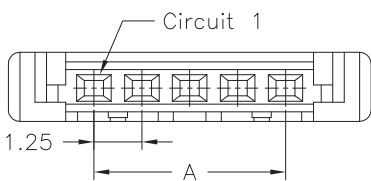
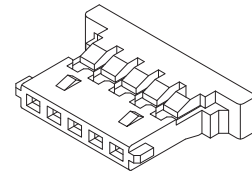
1.25mm pitch Housing

Reference Informations:

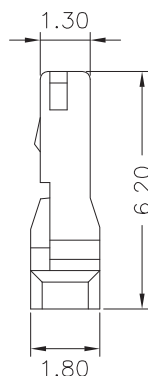
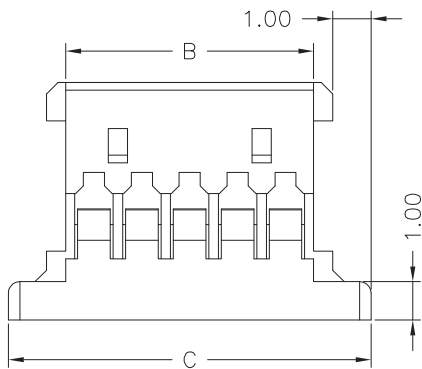
*Material: Nylon 66,UL94V-0

*Suitable A1254 series Terminal

*Mates with A1254 series Wafer



A1254H-05P		N	0	W	NP	N	00	G
		①	②	③	④	⑤	⑥	⑦
①	N=Halogen Free							
②	Material: 0=Nylon 66-V0							
③	Color: W=White							
④	Plating code: NP=Non-plating							
⑤	Plating code: N=Non-plating							
⑥	Option code: 00=Standard							
⑦	Packing code: G=Bag							



Ordering Information & Dimensions:

PART NO.	Dimensions		
	A	B	C
A1254H-02P	1.25	2.72	5.72
A1254H-03P	2.50	3.97	6.97
A1254H-04P	3.75	5.22	8.22
A1254H-05P	5.00	6.47	9.47
A1254H-06P	6.25	7.72	10.72
A1254H-07P	7.50	8.97	11.97
A1254H-08P	8.75	10.22	13.22
A1254H-09P	10.00	11.47	14.47
A1254H-10P	11.25	12.72	15.72
A1254H-11P	12.50	13.97	16.97
A1254H-12P	13.75	15.22	18.22
A1254H-14P	16.25	17.72	20.72
A1254H-15P	17.50	18.97	21.97
A1254H-16P	18.75	20.22	23.22
A1254H-20P	23.75	25.22	28.22
A1254H-30P	36.25	37.72	40.72

Unit:mm

A1254 SERIES

1.25mm pitch wire to board connector

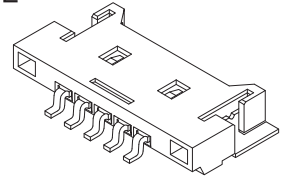
A1254WR-S

1.25mm pitch 90° Wafer - SMT TYPE

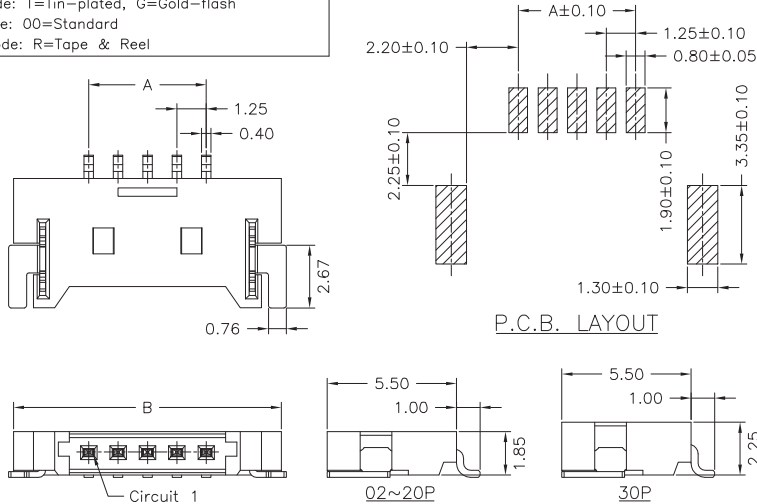
Reference Informations:

- *Material: Pin: Brass/Gold-plated
Solder Tabs: Brass/Tin-plated
Wafer: Nylon 6T,UL94V-0

*Mates with A1254 series Housing



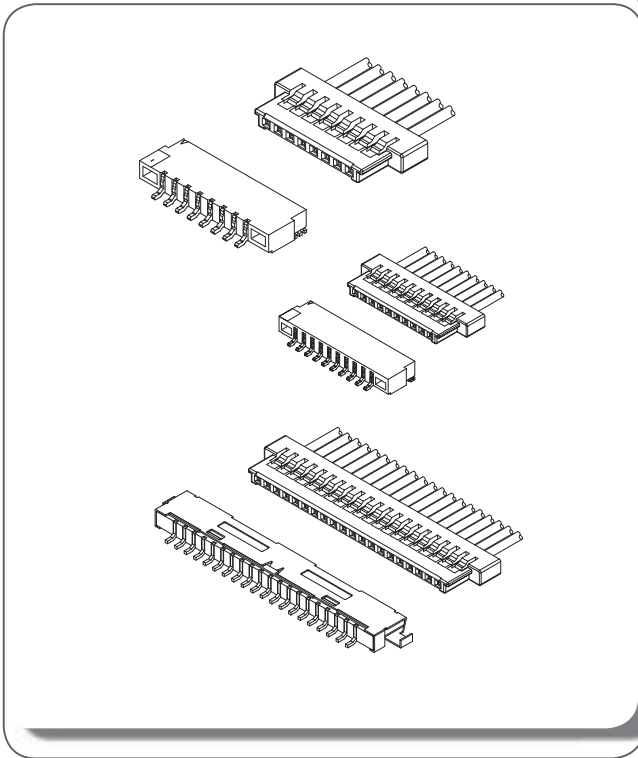
A B C F ST HRJ DC	A1254WR-S-05P N 6 B G2 T 00 R ① ② ③ ④ ⑤ ⑥ ⑦
	① N=Halogen Free
	② Material: 6=Nylon 6T
	③ Color: B=Black
	④ Plating code: G2=Gold-plated 3u"
	⑤ Plating code: T=Tin-plated, G=Gold-flash
	⑥ Option code: 00=Standard
⑦ Packing code: R=Tape & Reel	



Ordering Information & Dimensions:

PART NO.	Dimensions	
	A	B
A1254WR-S-02P	1.25	7.65
A1254WR-S-03P	2.50	8.90
A1254WR-S-04P	3.75	10.15
A1254WR-S-05P	5.00	11.40
A1254WR-S-06P	6.25	12.65
A1254WR-S-07P	7.50	13.90
A1254WR-S-08P	8.75	15.15
A1254WR-S-09P	10.00	16.40
A1254WR-S-10P	11.25	17.65
A1254WR-S-11P	12.50	18.90
A1254WR-S-12P	13.75	20.15
A1254WR-S-14P	16.25	22.65
A1254WR-S-15P	17.50	23.90
A1254WR-S-16P	18.75	25.15
A1254WR-S-20P	23.75	30.15
A1254WR-S-30P	36.25	42.65

Unit:mm



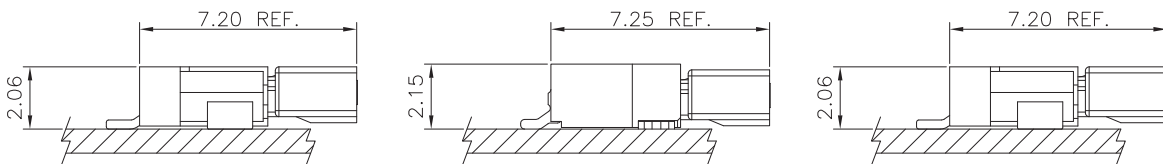
Specifications

Current rating: 1A AC,DC
 Voltage rating: 200V AC,DC
 Temperature range: -25°C ~ +85°C
 Contact resistance: 40mΩ Max.
 Insulation resistance: 100MΩ Min.
 Withstanding voltage: 500V AC/minute

A
B
C
F
ST
HRJ
DC

Standards

Assembly layout



Ordering code

① ② ③ ④
A1255-G P E

- ① Series No.
- ② Plating code: T=Tin-plated, G=Gold-plated
- ③ Material: P=Phosphor bronze
- ④ E=Stamping before plating

① ② ③
A1255 H-05P

- ① Series No.
- ② H=Housing
- ③ No. of circuits

① ② ③ ④ ⑤ ⑥
A1255 WR A-S-05P D02

- ① Series No.
- ② Connector type: WR=Right angle
- ③ Blank=Normal type
A=Shell type
- ④ Mounting type: S=SMT
- ⑤ No. of circuits
- ⑥ Option code:
D02=Gold-plated, Taping reel(Normal type only)

A1255 SERIES

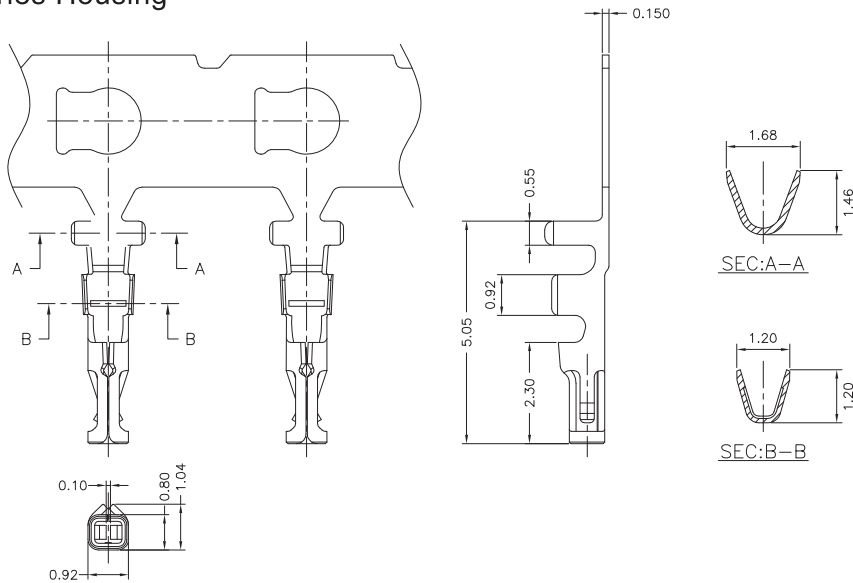
1.25mm pitch wire to board connector

A1255-T

1.25mm pitch Crimp Terminal

Reference Informations:

*Used in A1255 series Housing



Ordering Information & Specifications:

Unit:mm

Part No.	Wire Range	Insulation O.D.	Material	Finish	Qty/reel
A1255-GPE	AWG#28-#32	0.90mm(max)	Phosphor Bronze	Gold-plated	15,000pcs
A1255-TPE	AWG#28-#32	0.90mm(max)	Phosphor Bronze	Tin-plated	15,000pcs

Note:E-Stamping before Tin-plated or Gold-plated

A1255H

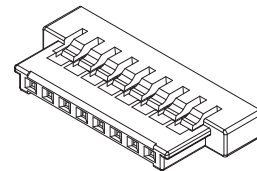
1.25mm pitch Housing

Reference Informations:

*Material: Nylon 66,UL94V-0

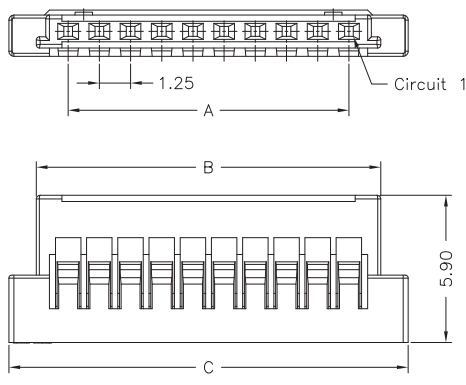
*Suitable A1255 series Terminal

*Mates with A1255 series Wafer



Ordering Information & Dimensions:

A1255H-05P		N	Q	B	NP	N	00	G
		①	②	③	④	⑤	⑥	⑦
① N=Halogen Free								
② Material: 0=Nylon 66-V0								
③ Color: B=Black								
④ Plating code: NP=Non-plating								
⑤ Plating code: N=Non-plating								
⑥ Option code: 00=Standard								
⑦ Packing code: G=Bag								



PART NO.	Dimensions		
	A	B	C
A1255H-02P	1.25	3.80	6.00
A1255H-03P	2.50	5.05	7.25
A1255H-04P	3.75	6.30	8.50
A1255H-05P	5.00	7.55	9.75
A1255H-06P	6.25	8.80	11.00
A1255H-07P	7.50	10.05	12.25
A1255H-08P	8.75	11.30	13.50
A1255H-09P	10.00	12.55	14.75
A1255H-10P	11.25	13.80	16.00
A1255H-11P	12.50	15.05	17.25
A1255H-12P	13.75	16.30	18.50
A1255H-13P	15.00	17.55	19.75
A1255H-14P	16.25	18.80	21.00
A1255H-15P	17.50	20.05	22.25
A1255H-20P	23.75	26.30	28.50
A1255H-25P	30.00	32.55	34.75
A1255H-30P	36.25	38.80	41.00

Unit:mm

A1255 SERIES

1.25mm pitch wire to board connector

A1255WR-S

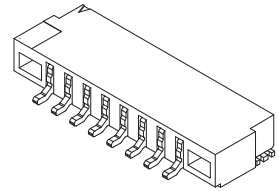
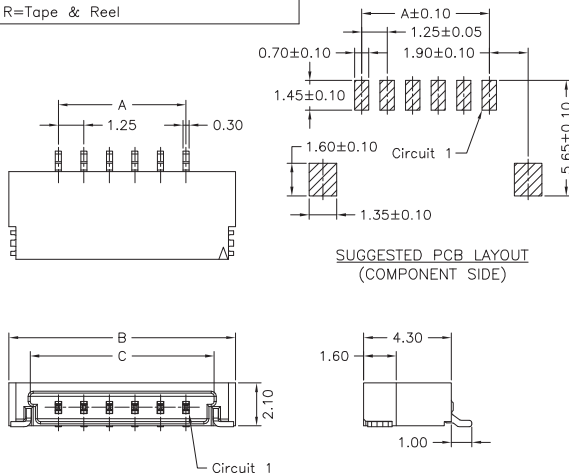
1.25mm pitch 90° Wafer - SMT TYPE

Reference Informations:

- *Material: Pin: Phosphor Bronze/Gold-plated
Solder Tabs: Phosphor Bronze/Gold-flash
Wafer: Nylon 6T,UL94V-0

*Mates with A1255 series Housing

A1255WR-S-05P ① N ② 6 ③ B ④ G2 ⑤ G ⑥ 00 ⑦ R ① ② ③ ④ ⑤ ⑥ ⑦



Ordering Information & Dimensions:

PART NO.	Dimensions		
	A	B	C
A1255WR-S-02PD02	1.25	6.10	4.01
A1255WR-S-03PD02	2.50	7.35	5.26
A1255WR-S-04PD02	3.75	8.60	6.51
A1255WR-S-05PD02	5.00	9.85	7.76
A1255WR-S-06PD02	6.25	11.10	9.01
A1255WR-S-07PD02	7.50	12.35	10.26
A1255WR-S-08PD02	8.75	13.60	11.51
A1255WR-S-10PD02	11.25	16.10	14.01
A1255WR-S-11PD02	12.50	17.35	15.26
A1255WR-S-12PD02	13.75	18.60	16.51
A1255WR-S-13PD02	15.00	19.85	17.76
A1255WR-S-14PD02	16.25	21.10	19.01
A1255WR-S-15PD02	17.50	22.35	20.26
A1255WR-S-20PD02	23.75	28.60	26.51
A1255WR-S-25PD02	30.00	34.85	32.76
A1255WR-S-30PD02	36.25	41.10	39.01

Unit:mm

A
B
C
F
ST
HRJ
DC

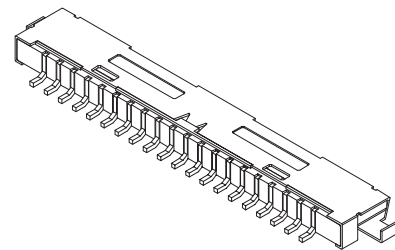
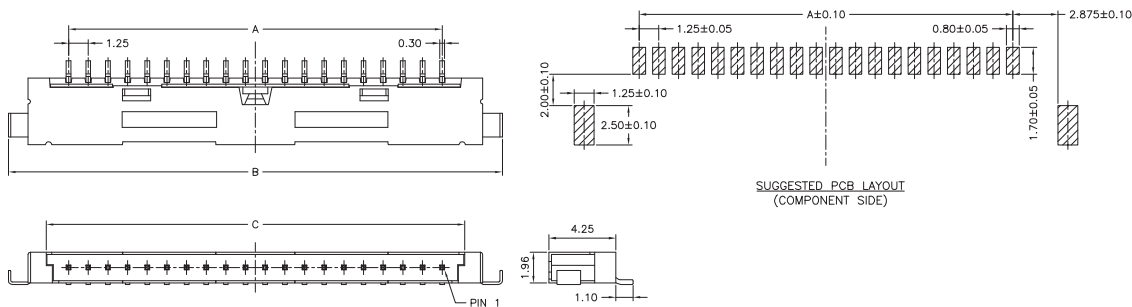
A1255WRA-S

1.25mm pitch 90° Wafer - SMT TYPE

Reference Informations:

- *Material: Pin: Phosphor Bronze/Tin-plated
Shell: Brass/Tin-plated
Wafer: LCP,UL94V-0

*Mates with A1255 series Housing



Ordering Information & Dimensions:

PART NO.	Dimensions		
	A	B	C
A1255WRA-S-20P	23.75	31.40	26.60
A1255WRA-S-30P	36.25	43.90	39.10

Unit:mm

A1255 SERIES

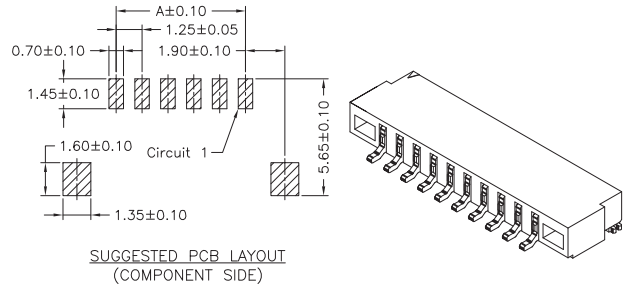
1.25mm pitch wire to board connector

A1255WRB-S

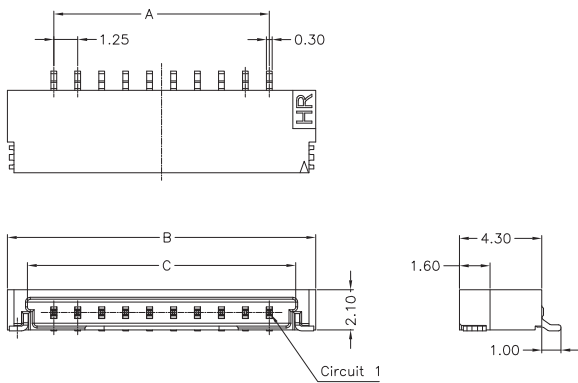
1.25mm pitch 90° Wafer - SMT TYPE

Reference Informations:

- *Material: Pin: Phosphor Bronze/Gold-plated
Solder Tabs: Phosphor Bronze/Gold-flash
Wafer: Nylon 6T,UL94V-0
- *Mates with A1255 series Housing



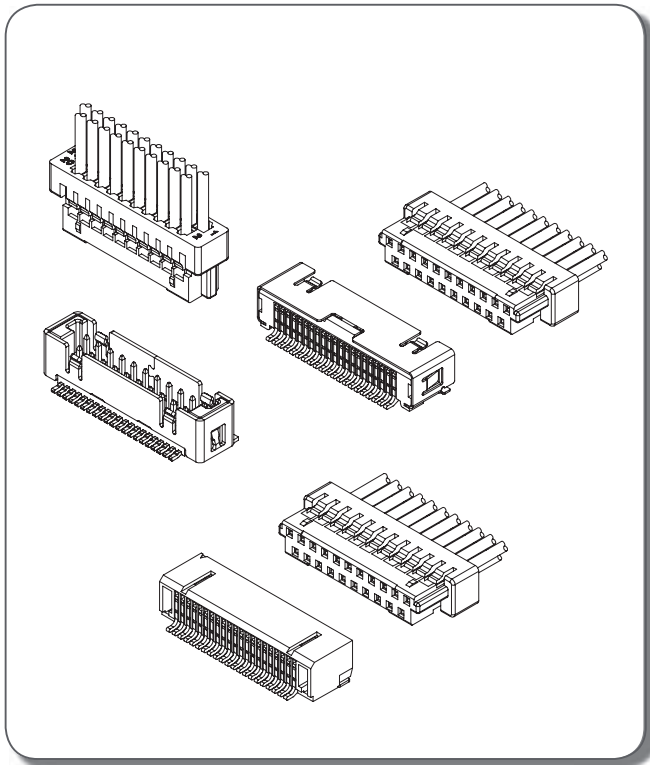
	A1255WRB-S-05P						
	R	6	N	XX	X	00	R
①	R=Rhos	②	Material: 6=Nylon 6T	③	Color: N=Natural(Beige)	④	Plating code: G2=Gold-plated 3u" T1=Matte Tin-plated
⑤	Plating code: G=Gold-flash T1=Matte Tin-plated	⑥	Option code: 00=Standard	⑦	Packing code: R=Tape & Reel(Without Cap or Myler)		



Ordering Information & Dimensions:

PART NO.	Dimensions		
	A	B	C
A1255WRB-S-10P	11.25	16.10	14.01
A1255WRB-S-11P	12.50	17.35	15.26
A1255WRB-S-12P	13.75	18.60	16.51
A1255WRB-S-13P	15.00	19.85	17.76
A1255WRB-S-14P	16.25	21.10	19.01
A1255WRB-S-15P	17.50	22.35	20.26
A1255WRB-S-20P	23.75	28.60	26.51
A1255WRB-S-25P	30.00	34.85	32.76
A1255WRB-S-30P	36.25	41.10	39.01

Unit:mm



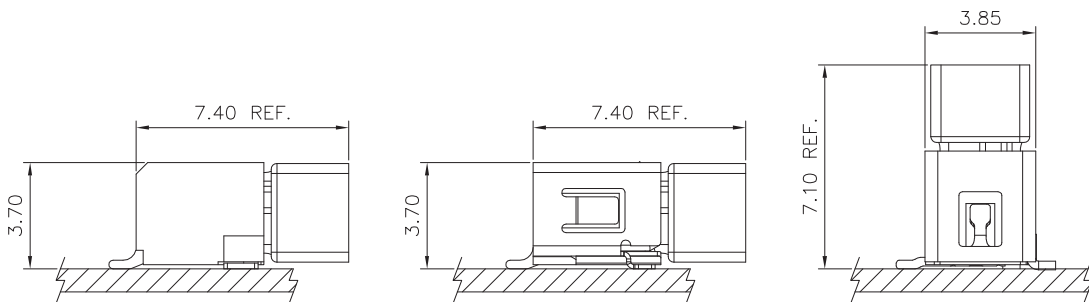
Specifications

Current rating: 1A AC,DC
 Voltage rating: 200V AC,DC
 Temperature range: -25°C ~ +85°C
 Contact resistance: 40mΩ Max.
 Insulation resistance: 100MΩ Min.
 Withstanding voltage: 500V AC/minute

A
B
C
F
ST
HRJ
DC

Standards

Assembly layout



Ordering code

① A1256 ② H ③ A- ④ 31P

- ① Series No.
- ② H=Housing
- ③ Blank=Without lock structure type
A=With lock structure type
- ④ No. of circuits

① A1256 ② WR ③ A-S- ④ 31P ⑤ D02

- ① Series No.
- ② Connector type: WV=Vertical, WR=Right angle
- ③ Blank=With shell type
A=Without shell type
B=With shell type, Reverse
- ④ Mounting type: SF=SMT with boss
S=SMT without boss
- ⑤ No. of circuits
- ⑥ Option code:
D02=Pin/Gold-plated, Solder Tabs/Gold-flash,
Taping reel

A1256 SERIES

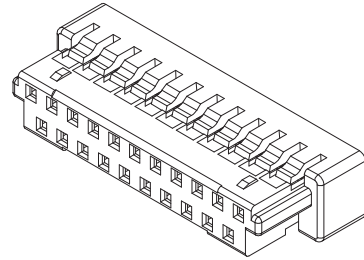
1.25mm pitch wire to board connector

A1256H

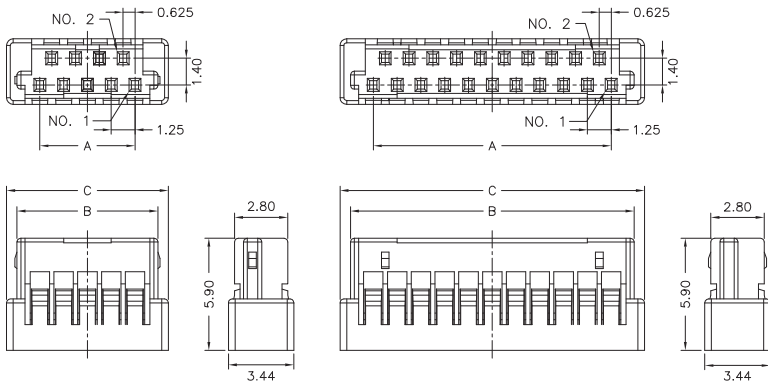
1.25mm pitch Dual Row Housing

Reference Informations:

- *Material: Nylon 66,UL94V-0
- *Suitable A1255 series Terminal
- *Mates with A1256 series dual row Wafer



	A1256H-31P	N	0	B	NP	N	00	G
		①	②	③	④	⑤	⑥	⑦
①	N=Halogen Free							
②	Material: 0=Nylon 66-V0							
③	Color: B=Black							
④	Plating code: NP=Non-plating							
⑤	Plating code: N=Non-plating							
⑥	Option code: 00=Standard							
⑦	Packing code: G=Bag							



5,7,9,11 Contacts

13,15,17,19,21,31,41 Contacts

Ordering Information & Dimensions:

PART NO.	Dimensions		
	A	B	C
A1256H-05P	2.50	4.90	6.00
A1256H-07P	3.75	6.15	7.25
A1256H-09P	5.00	7.40	8.50
A1256H-11P	6.25	8.65	9.75
A1256H-13P	7.50	9.90	11.00
A1256H-15P	8.75	11.15	12.25
A1256H-17P	10.00	12.40	13.50
A1256H-19P	11.25	13.65	14.75
A1256H-21P	12.50	14.90	16.00
A1256H-31P	18.75	21.15	22.25
A1256H-41P	25.00	27.40	28.50

Unit:mm

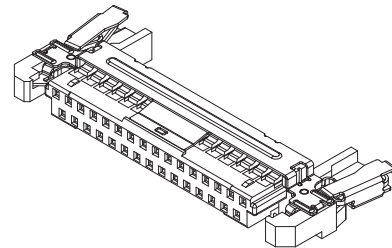
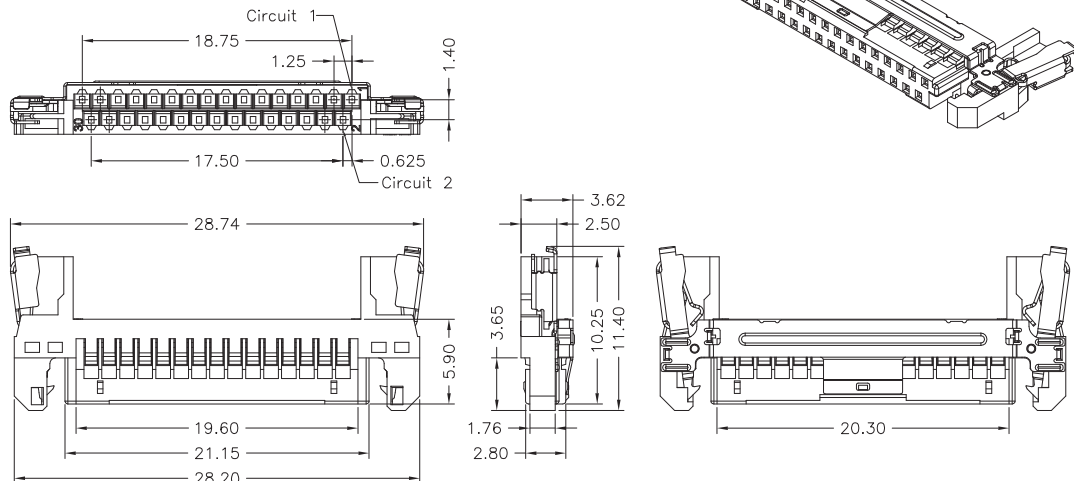
A1256HA-31P

1.25mm pitch Dual Row Housing With Lock

Reference Informations:

- *Material: Housing: Nylon 66,UL94V-0
Shell: Stainless
Lock lever: Stainless
- *Suitable A1255 series Terminal
- *Mates with A1256WV series dual row Wafer

	A1256HA-31P	N	0	B	NP	N	00	B
		①	②	③	④	⑤	⑥	⑦
①	N=Halogen Free							
②	Material: 0=Nylon 66-V0							
③	Color: B=Black							
④	Plating code: NP=Non-plating							
⑤	Plating code: N=Non-plating							
⑥	Option code: 00=Standard							
⑦	Packing code: B=Tray							



A1256 SERIES

1.25mm pitch wire to board connector

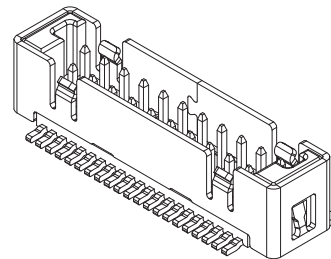
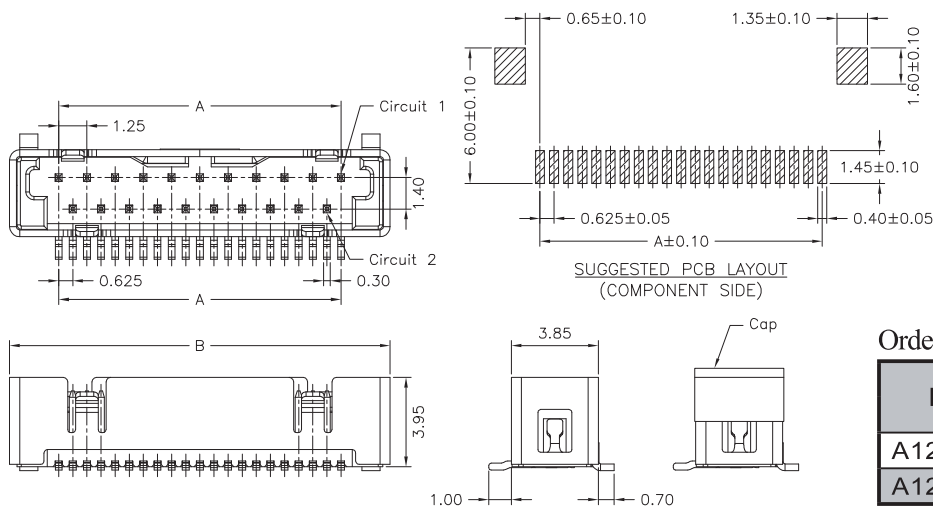
A1256WV-S

1.25mm pitch 180° Dual Row Wafer - SMT TYPE

Reference Informations:

- *Material: Pin: Phosphor Bronze/Gold-plated
Shell: Phosphor Bronze/Tin-plated
Wafer: Nylon 6T,UL94V-0
Cap: Nylon 6T,UL94V-0
- *Mates with A1256 series dual row Housing

	A1256WV-S-31P	N	6	B	G2	T	00	L
		①	②	③	④	⑤	⑥	⑦
①	N=Halogen Free							
②	Material: 6=Nylon 6T							
③	Color: B=Black							
④	Plating code: G2=Gold-plated 3u"							
⑤	Plating code: T=Tin-plated							
⑥	Option code: 00=Standard							
⑦	Packing code: L=Tape & Reel(With Cap)							



Ordering Information & Dimensions:

PART NO.	Dimensions	
	A	B
A1256WV-S-21P	12.50	16.85
A1256WV-S-31P	18.75	23.10

Unit:mm

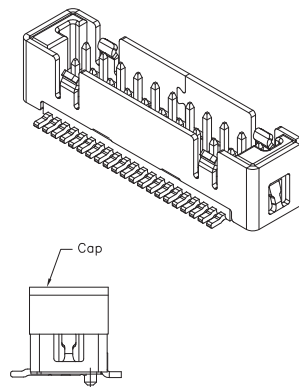
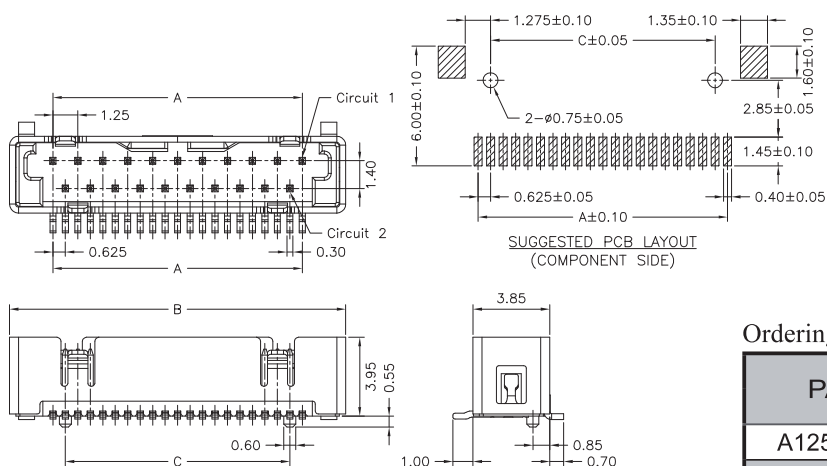
A1256WV-SF

1.25mm pitch 180° Dual Row Wafer With Boss - SMT TYPE

Reference Informations:

- *Material: Pin: Phosphor Bronze/Gold-plated
Shell: Phosphor Bronze/Tin-plated
Wafer: Nylon 6T,UL94V-0
Cap: Nylon 6T,UL94V-0
- *Mates with A1256 series dual row Housing

	A1256WV-SF-31P	N	6	B	G2	T	00	L
		①	②	③	④	⑤	⑥	⑦
①	N=Halogen Free							
②	Material: 6=Nylon 6T							
③	Color: B=Black							
④	Plating code: G2=Gold-plated 3u"							
⑤	Plating code: T=Tin-plated							
⑥	Option code: 00=Standard							
⑦	Packing code: L=Tape & Reel(With Cap)							



Ordering Information & Dimensions:

PART NO.	Dimensions		
	A	B	C
A1256WV-SF-21P	12.50	16.85	11.25
A1256WV-SF-31P	18.75	23.10	17.50

Unit:mm

A
B
C
F
ST
HRJ
DC

A1256 SERIES

1.25mm pitch wire to board connector

A1256WVB-S-41P

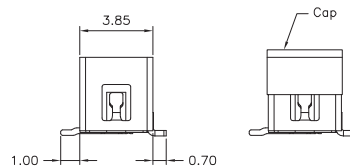
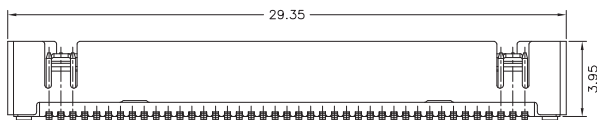
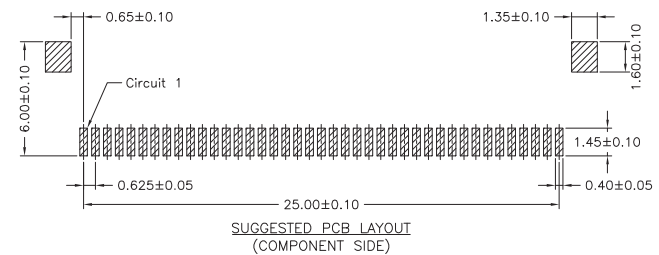
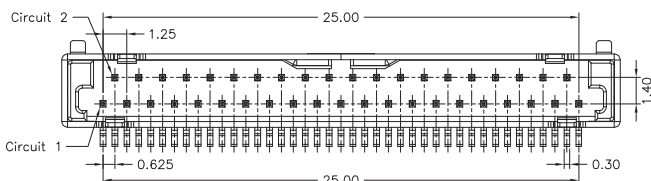
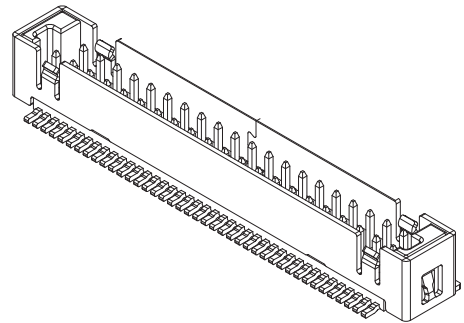
1.25mm pitch 180° Dual Row Wafer - SMT TYPE

Reference Informations:

- *Material: Pin: Phosphor Bronze/Gold-plated
Shell: Phosphor Bronze/Tin-plated
Wafer: Nylon 6T,UL94V-0
Cap: Nylon 6T,UL94V-0

*Mates with A1256 series dual row Housing

A1256WVB-S-41P		N	6	B	G2	T	00	L
①	N=Halogen Free	①	②	③	④	⑤	⑥	⑦
②	Material: 6=Nylon 6T							
③	Color: B=Black							
④	Plating code: G2=Gold-plated 3u"							
⑤	Plating code: T=Tin-plated							
⑥	Option code: 00=Standard							
⑦	Packing code: L=Tape & Reel(With Cap)							



A1256WR-S

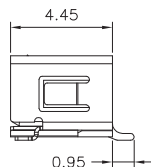
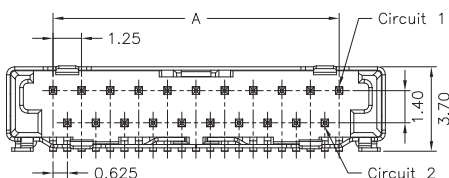
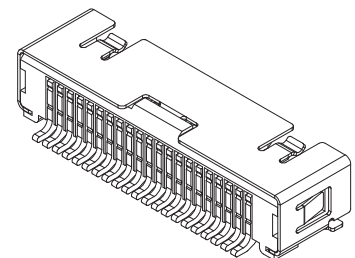
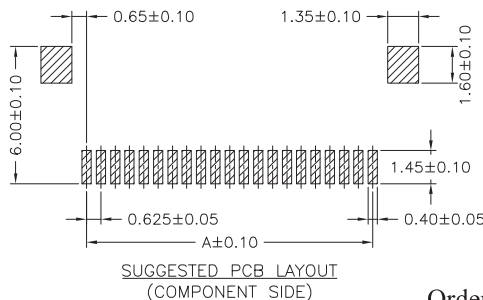
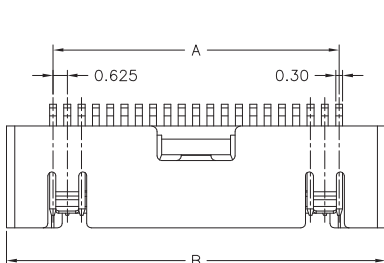
1.25mm pitch 90° Dual Row Wafer - SMT TYPE

Reference Informations:

- *Material: Pin: Phosphor Bronze/Gold-plated
Shell: Phosphor Bronze/Tin-plated
Wafer: Nylon 6T,UL94V-0

*Mates with A1256 series dual row Housing

A1256WR-S-31P		N	6	B	G2	T	00	R
①	N=Halogen Free	①	②	③	④	⑤	⑥	⑦
②	Material: 6=Nylon 6T							
③	Color: B=Black							
④	Plating code: G2=Gold-plated 3u"							
⑤	Plating code: T=Tin-plated							
⑥	Option code: 00=Standard							
⑦	Packing code: R=Tape & Reel							



Ordering Information & Dimensions:

PART NO.	Dimensions	
	A	B
A1256WR-S-21P	12.50	16.55
A1256WR-S-31P	18.75	22.80
A1256WR-S-41P	25.00	29.05

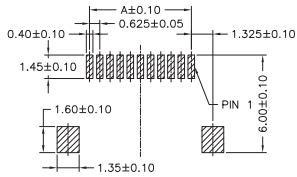
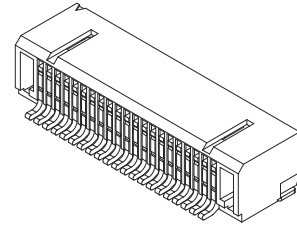
Unit:mm

A1256WRA-S

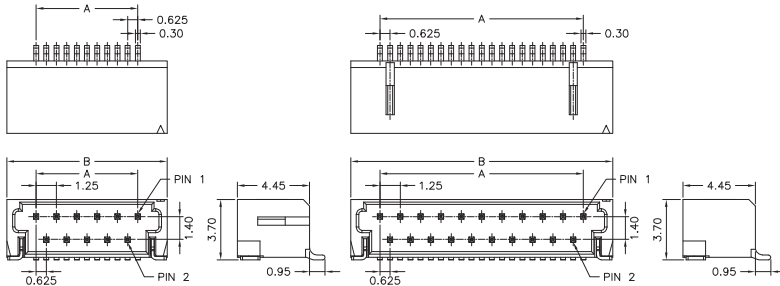
—1.25mm pitch 90° Dual Row Wafer - SMT TYPE—

Reference Informations:

- *Material: Pin: Phosphor Bronze/Gold-plated
Solder Tabs: Brass/Gold-flash
Wafer: Nylon 6T,UL94V-0
- *Mates with A1256 series dual row Housing



SUGGESTED PCB LAYOUT
(COMPONENT SIDE)



05,07,09,11 Contacts

13,15,17,19,21,31,41 Contacts

A1256WRA-S-31P		N	6	B	G2	G	00	R
①	②	③	④	⑤	⑥	⑦		
① N=Halogen Free ② Material: 6=Nylon 6T ③ Color: B=Black ④ Plating code: G2=Gold-plated 3u" ⑤ Plating code: G=Gold-flash ⑥ Option code: 00=Standard ⑦ Packing code: R=Tape & Reel								

Ordering Information & Dimensions:

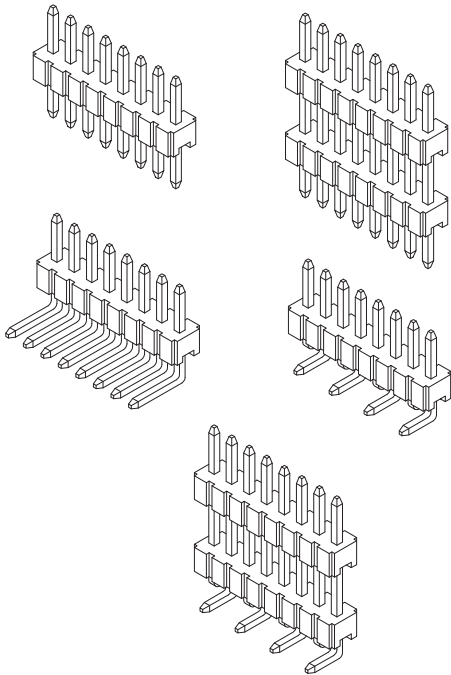
PART NO.	Dimensions	
	A	B
A1256WRA-S-05PD02	2.50	6.10
A1256WRA-S-07PD02	3.75	7.35
A1256WRA-S-09PD02	5.00	8.60
A1256WRA-S-11PD02	6.25	9.85
A1256WRA-S-13PD02	7.50	11.10
A1256WRA-S-15PD02	8.75	12.35
A1256WRA-S-17PD02	10.00	13.60
A1256WRA-S-19PD02	11.25	14.85
A1256WRA-S-21PD02	12.50	16.10
A1256WRA-S-31PD02	18.75	22.35
A1256WRA-S-41PD02	25.00	28.60

Unit:mm

A
B
C
F
ST
HRJ
DC

Specifications

Current rating: 1A AC,DC
Voltage rating: 250V AC,DC
Temperature range: -25°C ~ +85°C
Contact resistance: 20mΩ Max.
Insulation resistance: 5000MΩ Min.
Withstanding voltage: 500V AC/minute



Ordering code

① A1271 ② WV ③ A ④ -S- ⑤ 05P

- ① Series No.
- ② Connector type: WV=Vertical, WR=Right angle
- ③ Blank=Normal type
A=Dual body stacking headers
- ④ Mounting type: Blank=Through hole
-S=SMT without boss
- ⑤ No. of circuits

A1271 SERIES

1.27mm pitch wire to board connector

A1271WV

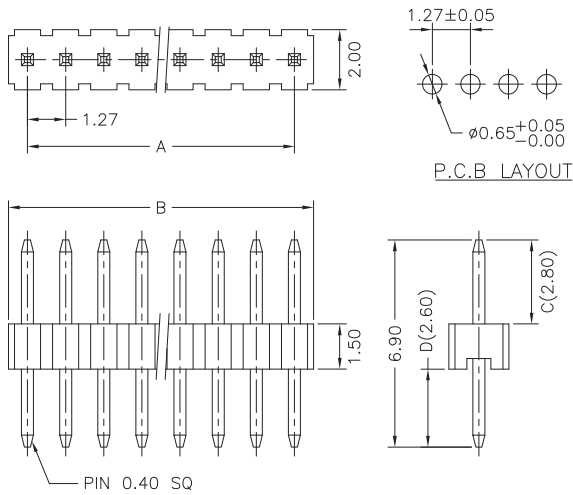
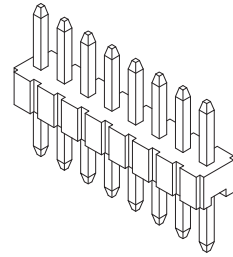
—1.27mm pitch 180° Single Row Pin Header—

Reference Informations:

*Material: Pin: Brass/Gold-flash

Wafer: Nylon 6T,UL94V-0

*Optional Dim. available but MOQ requested



Ordering Information & Dimensions:

PART NO.	Dimensions		PART NO.	Dimensions	
	A	B		A	B
A1271WV-03P	2.54	3.81	A1271WV-18P	21.59	22.86
A1271WV-04P	3.81	5.08	A1271WV-19P	22.86	24.13
A1271WV-05P	5.08	6.35	A1271WV-20P	24.13	25.40
A1271WV-06P	6.35	7.62	A1271WV-21P	25.40	26.67
A1271WV-07P	7.62	8.89	A1271WV-22P	26.67	27.94
A1271WV-08P	8.89	10.16	A1271WV-23P	27.94	29.21
A1271WV-09P	10.16	11.43	A1271WV-24P	29.21	30.48
A1271WV-10P	11.43	12.70	A1271WV-25P	30.48	31.75
A1271WV-11P	12.70	13.97	A1271WV-26P	31.75	33.02
A1271WV-12P	13.97	15.24	A1271WV-27P	33.02	34.29
A1271WV-13P	15.24	16.51	A1271WV-28P	34.29	35.56
A1271WV-14P	16.51	17.78	A1271WV-29P	35.56	36.83
A1271WV-15P	17.78	19.05	A1271WV-30P	36.83	38.10
A1271WV-16P	19.05	20.32	A1271WV-31P	38.10	39.37
A1271WV-17P	20.32	21.59	A1271WV-32P	39.37	40.64

Unit:mm

A
B
C
F
ST
HRJ
DC

A1271WV-S

—1.27mm pitch 180° Single Row Pin Header - SMT TYPE—

*Material: Pin: Brass/Gold-flash

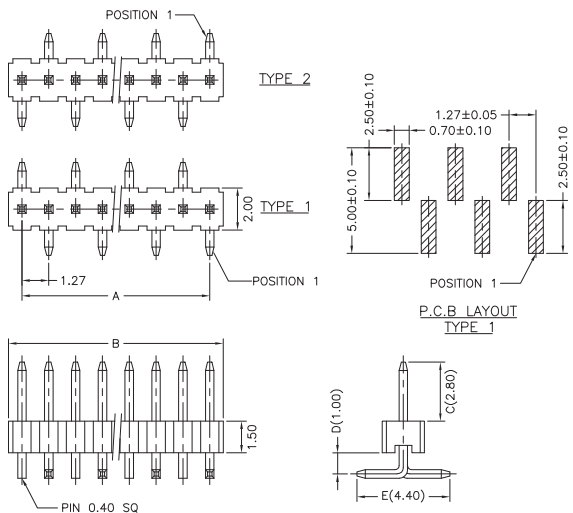
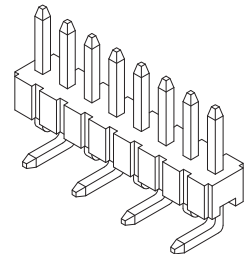
Wafer: Nylon 6T,UL94V-0

*Optional Dim. available but MOQ requested

Ordering Information:

A1271WV-S-XP *

1. Part No.
2. Style:
 - 1-Type 1
 - 2-Type 2



Ordering Information & Dimensions:

PART NO.	Dimensions		PART NO.	Dimensions	
	A	B		A	B
A1271WV-S-03P	2.54	3.81	A1271WV-S-18P	21.59	22.86
A1271WV-S-04P	3.81	5.08	A1271WV-S-19P	22.86	24.13
A1271WV-S-05P	5.08	6.35	A1271WV-S-20P	24.13	25.40
A1271WV-S-06P	6.35	7.62	A1271WV-S-21P	25.40	26.67
A1271WV-S-07P	7.62	8.89	A1271WV-S-22P	26.67	27.94
A1271WV-S-08P	8.89	10.16	A1271WV-S-23P	27.94	29.21
A1271WV-S-09P	10.16	11.43	A1271WV-S-24P	29.21	30.48
A1271WV-S-10P	11.43	12.70	A1271WV-S-25P	30.48	31.75
A1271WV-S-11P	12.70	13.97	A1271WV-S-26P	31.75	33.02
A1271WV-S-12P	13.97	15.24	A1271WV-S-27P	33.02	34.29
A1271WV-S-13P	15.24	16.51	A1271WV-S-28P	34.29	35.56
A1271WV-S-14P	16.51	17.78	A1271WV-S-29P	35.56	36.83
A1271WV-S-15P	17.78	19.05	A1271WV-S-30P	36.83	38.10
A1271WV-S-16P	19.05	20.32	A1271WV-S-31P	38.10	39.37
A1271WV-S-17P	20.32	21.59	A1271WV-S-32P	39.37	40.64

Unit:mm

*

A1271 SERIES

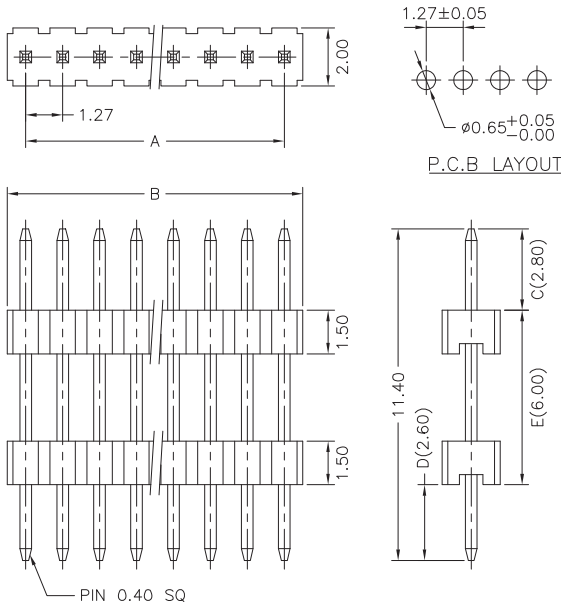
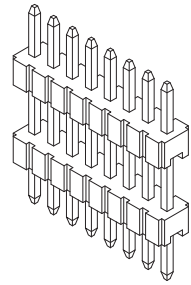
1.27mm pitch wire to board connector

A1271WVA

1.27mm pitch 180° Single Row Pin Header

Reference Informations:

- *Material: Pin: Brass/Gold-flash
Wafer: Nylon 6T,UL94V-0
- *Optional Dim. available but MOQ requested



Ordering Information & Dimensions:

PART NO.	Dimensions		PART NO.	Dimensions	
	A	B		A	B
A1271WVA-03P	2.54	3.81	A1271WVA-18P	21.59	22.86
A1271WVA-04P	3.81	5.08	A1271WVA-19P	22.86	24.13
A1271WVA-05P	5.08	6.35	A1271WVA-20P	24.13	25.40
A1271WVA-06P	6.35	7.62	A1271WVA-21P	25.40	26.67
A1271WVA-07P	7.62	8.89	A1271WVA-22P	26.67	27.94
A1271WVA-08P	8.89	10.16	A1271WVA-23P	27.94	29.21
A1271WVA-09P	10.16	11.43	A1271WVA-24P	29.21	30.48
A1271WVA-10P	11.43	12.70	A1271WVA-25P	30.48	31.75
A1271WVA-11P	12.70	13.97	A1271WVA-26P	31.75	33.02
A1271WVA-12P	13.97	15.24	A1271WVA-27P	33.02	34.29
A1271WVA-13P	15.24	16.51	A1271WVA-28P	34.29	35.56
A1271WVA-14P	16.51	17.78	A1271WVA-29P	35.56	36.83
A1271WVA-15P	17.78	19.05	A1271WVA-30P	36.83	38.10
A1271WVA-16P	19.05	20.32	A1271WVA-31P	38.10	39.37
A1271WVA-17P	20.32	21.59	A1271WVA-32P	39.37	40.64

Unit:mm

A1271WVA-S

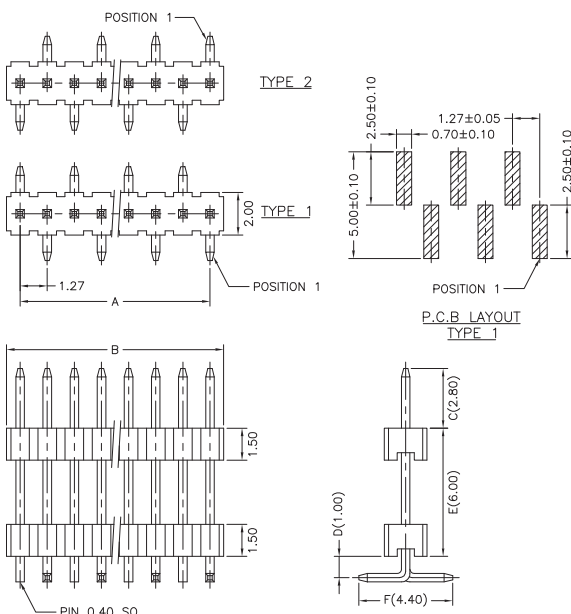
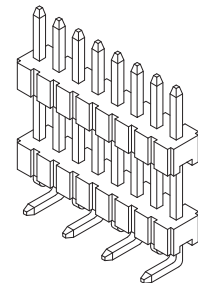
1.27mm pitch 180° Single Row Pin Header - SMT TYPE

Reference Informations:

- *Material: Pin: Brass/Gold-flash
Wafer: Nylon 6T,UL94V-0
- *Optional Dim. available but MOQ requested

Ordering Information:

- A1271WVA-S-XP *
1. Part No.
2. Style:
1-Type 1
2-Type 2



Ordering Information & Dimensions:

PART NO.	Dimensions		PART NO.	Dimensions	
	A	B		A	B
A1271WVA-S-03P	2.54	3.81	A1271WVA-S-18P	21.59	22.86
A1271WVA-S-04P	3.81	5.08	A1271WVA-S-19P	22.86	24.13
A1271WVA-S-05P	5.08	6.35	A1271WVA-S-20P	24.13	25.40
A1271WVA-S-06P	6.35	7.62	A1271WVA-S-21P	25.40	26.67
A1271WVA-S-07P	7.62	8.89	A1271WVA-S-22P	26.67	27.94
A1271WVA-S-08P	8.89	10.16	A1271WVA-S-23P	27.94	29.21
A1271WVA-S-09P	10.16	11.43	A1271WVA-S-24P	29.21	30.48
A1271WVA-S-10P	11.43	12.70	A1271WVA-S-25P	30.48	31.75
A1271WVA-S-11P	12.70	13.97	A1271WVA-S-26P	31.75	33.02
A1271WVA-S-12P	13.97	15.24	A1271WVA-S-27P	33.02	34.29
A1271WVA-S-13P	15.24	16.51	A1271WVA-S-28P	34.29	35.56
A1271WVA-S-14P	16.51	17.78	A1271WVA-S-29P	35.56	36.83
A1271WVA-S-15P	17.78	19.05	A1271WVA-S-30P	36.83	38.10
A1271WVA-S-16P	19.05	20.32	A1271WVA-S-31P	38.10	39.37
A1271WVA-S-17P	20.32	21.59	A1271WVA-S-32P	39.37	40.64

Unit:mm

A1271WR

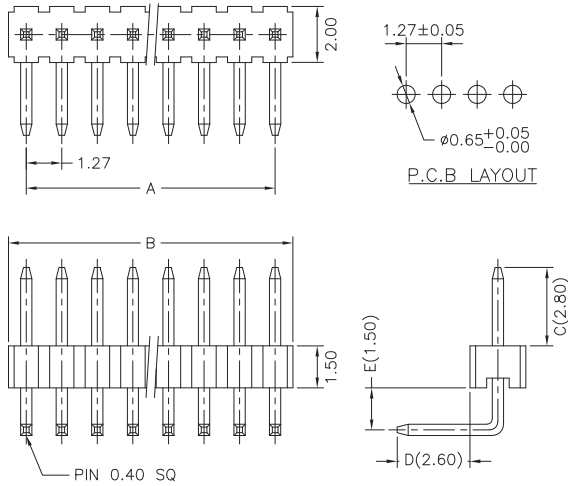
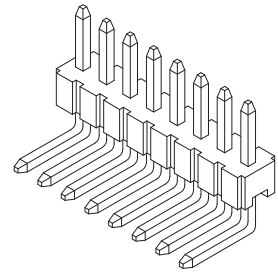
— 1.27mm pitch 90° Single Row Pin Header —

Reference Informations:

*Material: Pin: Brass/Gold-flash

Wafer: Nylon 6T,UL94V-0

*Optional Dim. available but MOQ requested



Ordering Information & Dimensions:

PART NO.	Dimensions		PART NO.	Dimensions	
	A	B		A	B
A1271WR-03P	2.54	3.81	A1271WR-18P	21.59	22.86
A1271WR-04P	3.81	5.08	A1271WR-19P	22.86	24.13
A1271WR-05P	5.08	6.35	A1271WR-20P	24.13	25.40
A1271WR-06P	6.35	7.62	A1271WR-21P	25.40	26.67
A1271WR-07P	7.62	8.89	A1271WR-22P	26.67	27.94
A1271WR-08P	8.89	10.16	A1271WR-23P	27.94	29.21
A1271WR-09P	10.16	11.43	A1271WR-24P	29.21	30.48
A1271WR-10P	11.43	12.70	A1271WR-25P	30.48	31.75
A1271WR-11P	12.70	13.97	A1271WR-26P	31.75	33.02
A1271WR-12P	13.97	15.24	A1271WR-27P	33.02	34.29
A1271WR-13P	15.24	16.51	A1271WR-28P	34.29	35.56
A1271WR-14P	16.51	17.78	A1271WR-29P	35.56	36.83
A1271WR-15P	17.78	19.05	A1271WR-30P	36.83	38.10
A1271WR-16P	19.05	20.32	A1271WR-31P	38.10	39.37
A1271WR-17P	20.32	21.59	A1271WR-32P	39.37	40.64

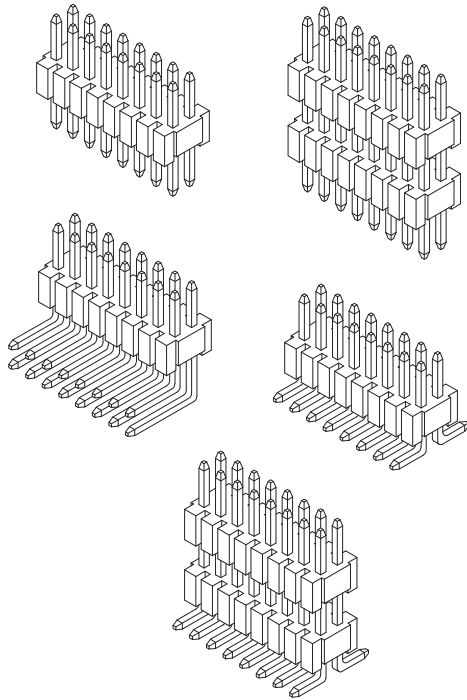
Unit:mm

A
B
C
F
ST
HRJ
DC

*

Specifications

Current rating: 1A AC,DC
Voltage rating: 250V AC,DC
Temperature range: -25°C ~ +85°C
Contact resistance: 20mΩ Max.
Insulation resistance: 5000MΩ Min.
Withstanding voltage: 500V AC/minute



Ordering code

① A1272 ② WV ③ A ④ -S- ⑤ 2X ⑥ 05P

- ① Series No.
- ② Connector type: WV=Vertical, WR=Right angle
- ③ Blank=Normal type
A=Dual body stacking headers
- ④ Mounting type: Blank=Through hole
-S=SMT without boss
- ⑤ 2X=Dual row
- ⑥ No. of circuits

A1272 SERIES

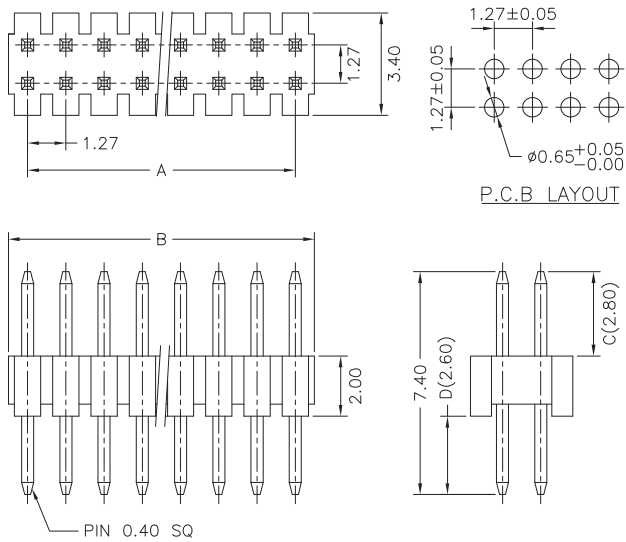
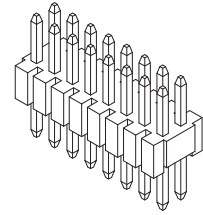
1.27mm pitch wire to board connector

A1272WV-2

—1.27mm pitch 180° Dual Row Pin Header—

Reference Informations:

- *Material: Pin: Brass/Gold-flash
Wafer: Nylon 6T,UL94V-0
- *Optional Dim. available but MOQ requested



Ordering Information & Dimensions:

PART NO.	Dimensions		PART NO.	Dimensions	
	A	B		A	B
A1272WV-2X03P	2.54	3.81	A1272WV-2X27P	33.02	34.29
A1272WV-2X04P	3.81	5.08	A1272WV-2X28P	34.29	35.56
A1272WV-2X05P	5.08	6.35	A1272WV-2X29P	35.56	36.83
A1272WV-2X06P	6.35	7.62	A1272WV-2X30P	36.83	38.10
A1272WV-2X07P	7.62	8.89	A1272WV-2X31P	38.10	39.37
A1272WV-2X08P	8.89	10.16	A1272WV-2X32P	39.37	40.64
A1272WV-2X09P	10.16	11.43	A1272WV-2X33P	40.64	41.91
A1272WV-2X10P	11.43	12.70	A1272WV-2X34P	41.91	43.18
A1272WV-2X11P	12.70	13.97	A1272WV-2X35P	43.18	44.45
A1272WV-2X12P	13.97	15.24	A1272WV-2X36P	44.45	45.72
A1272WV-2X13P	15.24	16.51	A1272WV-2X37P	45.72	46.99
A1272WV-2X14P	16.51	17.78	A1272WV-2X38P	46.99	48.26
A1272WV-2X15P	17.78	19.05	A1272WV-2X39P	48.26	49.53
A1272WV-2X16P	19.05	20.32	A1272WV-2X40P	49.53	50.80
A1272WV-2X17P	20.32	21.59	A1272WV-2X41P	50.80	52.07
A1272WV-2X18P	21.59	22.86	A1272WV-2X42P	52.07	53.34
A1272WV-2X19P	22.86	24.13	A1272WV-2X43P	53.34	54.61
A1272WV-2X20P	24.13	25.40	A1272WV-2X44P	54.61	55.88
A1272WV-2X21P	25.40	26.67	A1272WV-2X45P	55.88	57.15
A1272WV-2X22P	26.67	27.94	A1272WV-2X46P	57.15	58.42
A1272WV-2X23P	27.94	29.21	A1272WV-2X47P	58.42	59.69
A1272WV-2X24P	29.21	30.48	A1272WV-2X48P	59.69	60.96
A1272WV-2X25P	30.48	31.75	A1272WV-2X49P	60.96	62.23
A1272WV-2X26P	31.75	33.02	A1272WV-2X50P	62.23	63.50

Unit:mm

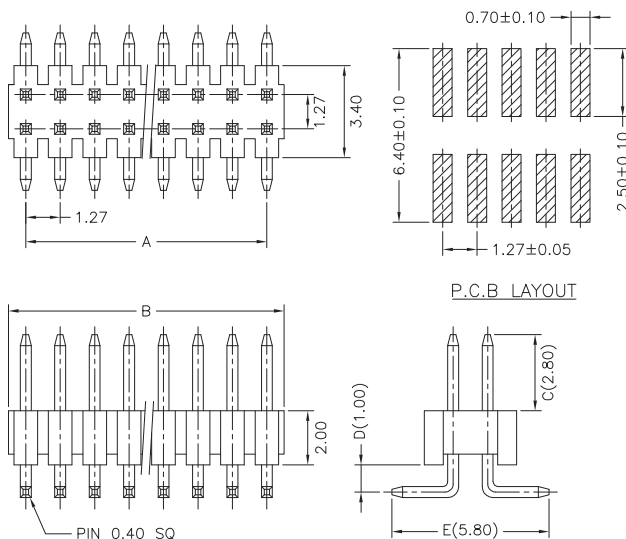
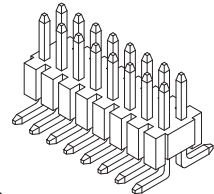
A
B
C
F
ST
HRJ
DC

A1272WV-S-2

—1.27mm pitch 180° Dual Row Pin Header - SMT TYPE—

Reference Informations:

- *Material: Pin: Brass/Gold-flash
Wafer: Nylon 6T,UL94V-0
- *Optional Dim. available but MOQ requested



Ordering Information & Dimensions:

PART NO.	Dimensions		PART NO.	Dimensions	
	A	B		A	B
A1272WV-S-2X03P	2.54	3.81	A1272WV-S-2X27P	33.02	34.29
A1272WV-S-2X04P	3.81	5.08	A1272WV-S-2X28P	34.29	35.56
A1272WV-S-2X05P	5.08	6.35	A1272WV-S-2X29P	35.56	36.83
A1272WV-S-2X06P	6.35	7.62	A1272WV-S-2X30P	36.83	38.10
A1272WV-S-2X07P	7.62	8.89	A1272WV-S-2X31P	38.10	39.37
A1272WV-S-2X08P	8.89	10.16	A1272WV-S-2X32P	39.37	40.64
A1272WV-S-2X09P	10.16	11.43	A1272WV-S-2X33P	40.64	41.91
A1272WV-S-2X10P	11.43	12.70	A1272WV-S-2X34P	41.91	43.18
A1272WV-S-2X11P	12.70	13.97	A1272WV-S-2X35P	43.18	44.45
A1272WV-S-2X12P	13.97	15.24	A1272WV-S-2X36P	44.45	45.72
A1272WV-S-2X13P	15.24	16.51	A1272WV-S-2X37P	45.72	46.99
A1272WV-S-2X14P	16.51	17.78	A1272WV-S-2X38P	46.99	48.26
A1272WV-S-2X15P	17.78	19.05	A1272WV-S-2X39P	48.26	49.53
A1272WV-S-2X16P	19.05	20.32	A1272WV-S-2X40P	49.53	50.80
A1272WV-S-2X17P	20.32	21.59	A1272WV-S-2X41P	50.80	52.07
A1272WV-S-2X18P	21.59	22.86	A1272WV-S-2X42P	52.07	53.34
A1272WV-S-2X19P	22.86	24.13	A1272WV-S-2X43P	53.34	54.61
A1272WV-S-2X20P	24.13	25.40	A1272WV-S-2X44P	54.61	55.88
A1272WV-S-2X21P	25.40	26.67	A1272WV-S-2X45P	55.88	57.15
A1272WV-S-2X22P	26.67	27.94	A1272WV-S-2X46P	57.15	58.42
A1272WV-S-2X23P	27.94	29.21	A1272WV-S-2X47P	58.42	59.69
A1272WV-S-2X24P	29.21	30.48	A1272WV-S-2X48P	59.69	60.96
A1272WV-S-2X25P	30.48	31.75	A1272WV-S-2X49P	60.96	62.23
A1272WV-S-2X26P	31.75	33.02	A1272WV-S-2X50P	62.23	63.50

Unit:mm

*

A1272 SERIES

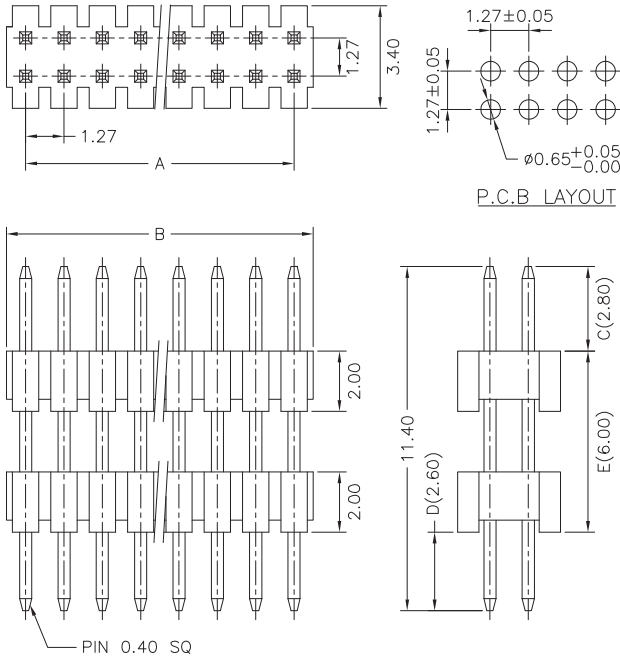
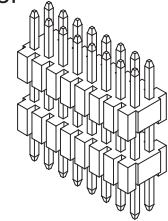
1.27mm pitch wire to board connector

A1272WVA-2

1.27mm pitch 180° Dual Row Pin Header

Reference Informations:

- *Material: Pin: Brass/Gold-flash
Wafer: Nylon 6T,UL94V-0
- *Optional Dim. available but MOQ requested



Ordering Information & Dimensions:

PART NO.	Dimensions		PART NO.	Dimensions	
	A	B		A	B
A1272WVA-2X03P	2.54	3.81	A1272WVA-2X27P	33.02	34.29
A1272WVA-2X04P	3.81	5.08	A1272WVA-2X28P	34.29	35.56
A1272WVA-2X05P	5.08	6.35	A1272WVA-2X29P	35.56	36.83
A1272WVA-2X06P	6.35	7.62	A1272WVA-2X30P	36.83	38.10
A1272WVA-2X07P	7.62	8.89	A1272WVA-2X31P	38.10	39.37
A1272WVA-2X08P	8.89	10.16	A1272WVA-2X32P	39.37	40.64
A1272WVA-2X09P	10.16	11.43	A1272WVA-2X33P	40.64	41.91
A1272WVA-2X10P	11.43	12.70	A1272WVA-2X34P	41.91	43.18
A1272WVA-2X11P	12.70	13.97	A1272WVA-2X35P	43.18	44.45
A1272WVA-2X12P	13.97	15.24	A1272WVA-2X36P	44.45	45.72
A1272WVA-2X13P	15.24	16.51	A1272WVA-2X37P	45.72	46.99
A1272WVA-2X14P	16.51	17.78	A1272WVA-2X38P	46.99	48.26
A1272WVA-2X15P	17.78	19.05	A1272WVA-2X39P	48.26	49.53
A1272WVA-2X16P	19.05	20.32	A1272WVA-2X40P	49.53	50.80
A1272WVA-2X17P	20.32	21.59	A1272WVA-2X41P	50.80	52.07
A1272WVA-2X18P	21.59	22.86	A1272WVA-2X42P	52.07	53.34
A1272WVA-2X19P	22.86	24.13	A1272WVA-2X43P	53.34	54.61
A1272WVA-2X20P	24.13	25.40	A1272WVA-2X44P	54.61	55.88
A1272WVA-2X21P	25.40	26.67	A1272WVA-2X45P	55.88	57.15
A1272WVA-2X22P	26.67	27.94	A1272WVA-2X46P	57.15	58.42
A1272WVA-2X23P	27.94	29.21	A1272WVA-2X47P	58.42	59.69
A1272WVA-2X24P	29.21	30.48	A1272WVA-2X48P	59.69	60.96
A1272WVA-2X25P	30.48	31.75	A1272WVA-2X49P	60.96	62.23
A1272WVA-2X26P	31.75	33.02	A1272WVA-2X50P	62.23	63.50

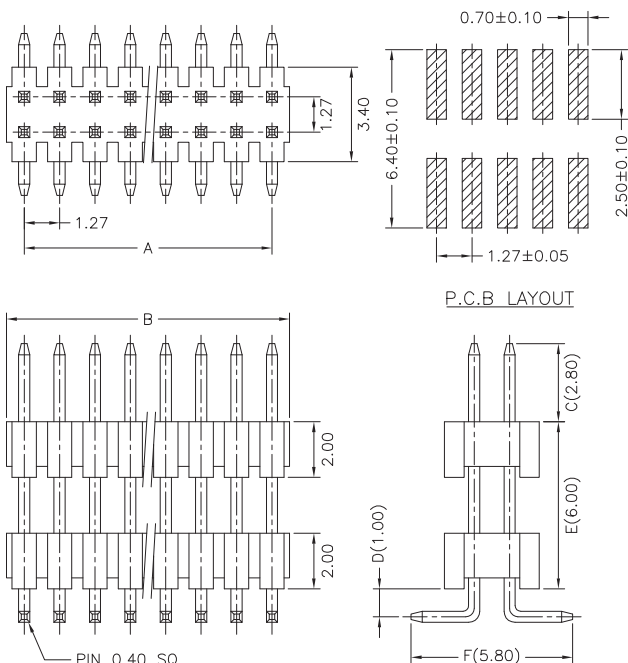
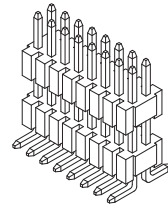
Unit:mm

A1272WVA-S-2

1.27mm pitch 180° Dual Row Pin Header - SMT TYPE

Reference Informations:

- *Material: Pin: Brass/Gold-flash
Wafer: Nylon 6T,UL94V-0
- *Optional Dim. available but MOQ requested



Ordering Information & Dimensions:

PART NO.	Dimensions		PART NO.	Dimensions	
	A	B		A	B
A1272WVA-S-2X03P	2.54	3.81	A1272WVA-S-2X27P	33.02	34.29
A1272WVA-S-2X04P	3.81	5.08	A1272WVA-S-2X28P	34.29	35.56
A1272WVA-S-2X05P	5.08	6.35	A1272WVA-S-2X29P	35.56	36.83
A1272WVA-S-2X06P	6.35	7.62	A1272WVA-S-2X30P	36.83	38.10
A1272WVA-S-2X07P	7.62	8.89	A1272WVA-S-2X31P	38.10	39.37
A1272WVA-S-2X08P	8.89	10.16	A1272WVA-S-2X32P	39.37	40.64
A1272WVA-S-2X09P	10.16	11.43	A1272WVA-S-2X33P	40.64	41.91
A1272WVA-S-2X10P	11.43	12.70	A1272WVA-S-2X34P	41.91	43.18
A1272WVA-S-2X11P	12.70	13.97	A1272WVA-S-2X35P	43.18	44.45
A1272WVA-S-2X12P	13.97	15.24	A1272WVA-S-2X36P	44.45	45.72
A1272WVA-S-2X13P	15.24	16.51	A1272WVA-S-2X37P	45.72	46.99
A1272WVA-S-2X14P	16.51	17.78	A1272WVA-S-2X38P	46.99	48.26
A1272WVA-S-2X15P	17.78	19.05	A1272WVA-S-2X39P	48.26	49.53
A1272WVA-S-2X16P	19.05	20.32	A1272WVA-S-2X40P	49.53	50.80
A1272WVA-S-2X17P	20.32	21.59	A1272WVA-S-2X41P	50.80	52.07
A1272WVA-S-2X18P	21.59	22.86	A1272WVA-S-2X42P	52.07	53.34
A1272WVA-S-2X19P	22.86	24.13	A1272WVA-S-2X43P	53.34	54.61
A1272WVA-S-2X20P	24.13	25.40	A1272WVA-S-2X44P	54.61	55.88
A1272WVA-S-2X21P	25.40	26.67	A1272WVA-S-2X45P	55.88	57.15
A1272WVA-S-2X22P	26.67	27.94	A1272WVA-S-2X46P	57.15	58.42
A1272WVA-S-2X23P	27.94	29.21	A1272WVA-S-2X47P	58.42	59.69
A1272WVA-S-2X24P	29.21	30.48	A1272WVA-S-2X48P	59.69	60.96
A1272WVA-S-2X25P	30.48	31.75	A1272WVA-S-2X49P	60.96	62.23
A1272WVA-S-2X26P	31.75	33.02	A1272WVA-S-2X50P	62.23	63.50

Unit:mm

A1272 SERIES

1.27mm pitch wire to board connector

A1272WR-2

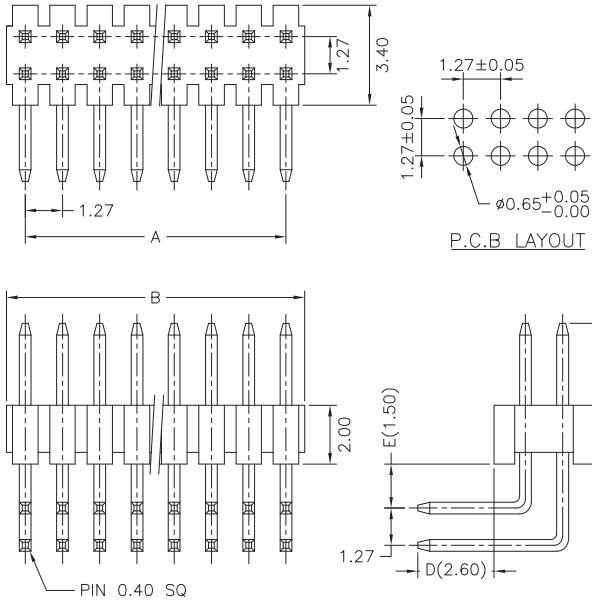
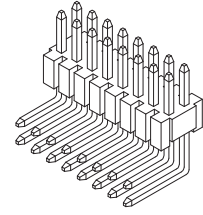
1.27mm pitch 90° Dual Row Pin Header

Reference Informations:

*Material: Pin: Brass/Gold-flash

Wafer: Nylon 6T,UL94V-0

*Optional Dim. available but MOQ requested



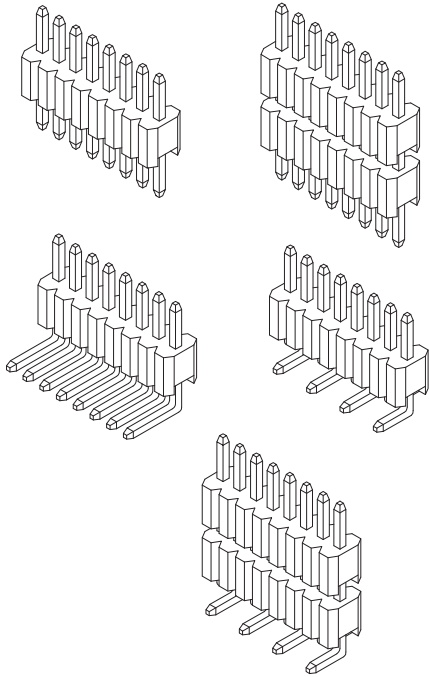
Ordering Information & Dimensions:

PART NO.	Dimensions		PART NO.	Dimensions	
	A	B		A	B
A1272WR-2X03P	2.54	3.81	A1272WR-2X27P	33.02	34.29
A1272WR-2X04P	3.81	5.08	A1272WR-2X28P	34.29	35.56
A1272WR-2X05P	5.08	6.35	A1272WR-2X29P	35.56	36.83
A1272WR-2X06P	6.35	7.62	A1272WR-2X30P	36.83	38.10
A1272WR-2X07P	7.62	8.89	A1272WR-2X31P	38.10	39.37
A1272WR-2X08P	8.89	10.16	A1272WR-2X32P	39.37	40.64
A1272WR-2X09P	10.16	11.43	A1272WR-2X33P	40.64	41.91
A1272WR-2X10P	11.43	12.70	A1272WR-2X34P	41.91	43.18
A1272WR-2X11P	12.70	13.97	A1272WR-2X35P	43.18	44.45
A1272WR-2X12P	13.97	15.24	A1272WR-2X36P	44.45	45.72
A1272WR-2X13P	15.24	16.51	A1272WR-2X37P	45.72	46.99
A1272WR-2X14P	16.51	17.78	A1272WR-2X38P	46.99	48.26
A1272WR-2X15P	17.78	19.05	A1272WR-2X39P	48.26	49.53
A1272WR-2X16P	19.05	20.32	A1272WR-2X40P	49.53	50.80
A1272WR-2X17P	20.32	21.59	A1272WR-2X41P	50.80	52.07
A1272WR-2X18P	21.59	22.86	A1272WR-2X42P	52.07	53.34
A1272WR-2X19P	22.86	24.13	A1272WR-2X43P	53.34	54.61
A1272WR-2X20P	24.13	25.40	A1272WR-2X44P	54.61	55.88
A1272WR-2X21P	25.40	26.67	A1272WR-2X45P	55.88	57.15
A1272WR-2X22P	26.67	27.94	A1272WR-2X46P	57.15	58.42
A1272WR-2X23P	27.94	29.21	A1272WR-2X47P	58.42	59.69
A1272WR-2X24P	29.21	30.48	A1272WR-2X48P	59.69	60.96
A1272WR-2X25P	30.48	31.75	A1272WR-2X49P	60.96	62.23
A1272WR-2X26P	31.75	33.02	A1272WR-2X50P	62.23	63.50

Unit:mm

A
B
C
F
ST
HRJ
DC





Specifications

Current rating: 1A AC,DC
Voltage rating: 250V AC,DC
Temperature range: -25°C ~ +85°C
Contact resistance: 20mΩ Max.
Insulation resistance: 5000MΩ Min.
Withstanding voltage: 500V AC/minute

Ordering code

① A1273 ② WV ③ A ④ -S- ⑤ 05P

- ① Series No.
- ② Connector type: WV=Vertical, WR=Right angle
- ③ Blank=Normal type
A=Dual body stacking headers
- ④ Mounting type: Blank=Through hole
-S=SMT without boss
- ⑤ No. of circuits

A1273 SERIES

1.27mm pitch wire to board connector

A 1273 WV

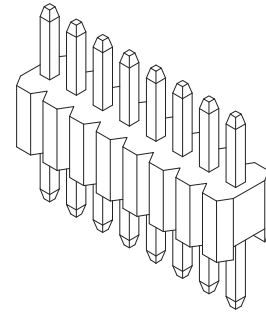
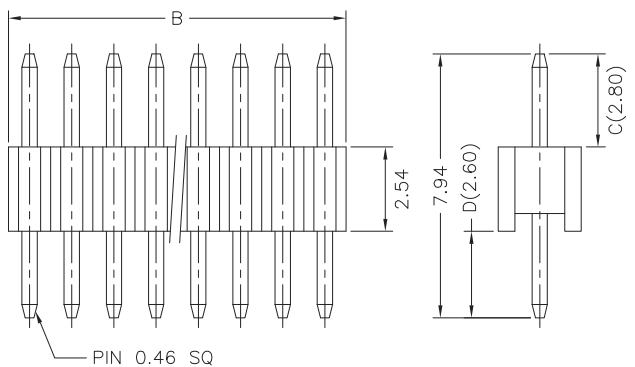
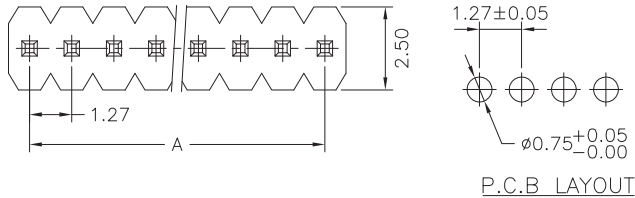
1.27mm pitch 180° Single Row Pin Header

Reference Informations:

*Material: Pin: Brass/Gold-flash

Wafer: Nylon 6T,UL94V-0

*Optional Dim. available but MOQ requested



Ordering Information & Dimensions:

PART NO.	Dimensions		PART NO.	Dimensions	
	A	B		A	B
A1273WV-03P	2.54	3.81	A1273WV-18P	21.59	22.86
A1273WV-04P	3.81	5.08	A1273WV-19P	22.86	24.13
A1273WV-05P	5.08	6.35	A1273WV-20P	24.13	25.40
A1273WV-06P	6.35	7.62	A1273WV-21P	25.40	26.67
A1273WV-07P	7.62	8.89	A1273WV-22P	26.67	27.94
A1273WV-08P	8.89	10.16	A1273WV-23P	27.94	29.21
A1273WV-09P	10.16	11.43	A1273WV-24P	29.21	30.48
A1273WV-10P	11.43	12.70	A1273WV-25P	30.48	31.75
A1273WV-11P	12.70	13.97	A1273WV-26P	31.75	33.02
A1273WV-12P	13.97	15.24	A1273WV-27P	33.02	34.29
A1273WV-13P	15.24	16.51	A1273WV-28P	34.29	35.56
A1273WV-14P	16.51	17.78	A1273WV-29P	35.56	36.83
A1273WV-15P	17.78	19.05	A1273WV-30P	36.83	38.10
A1273WV-16P	19.05	20.32	A1273WV-31P	38.10	39.37
A1273WV-17P	20.32	21.59	A1273WV-32P	39.37	40.64

Unit:mm

A 1273 WV-S

1.27mm pitch 180° Single Row Pin Header - SMT TYPE

Reference Informations:

*Material: Pin: Brass/Gold-flash

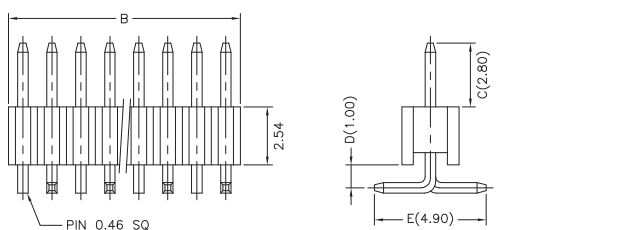
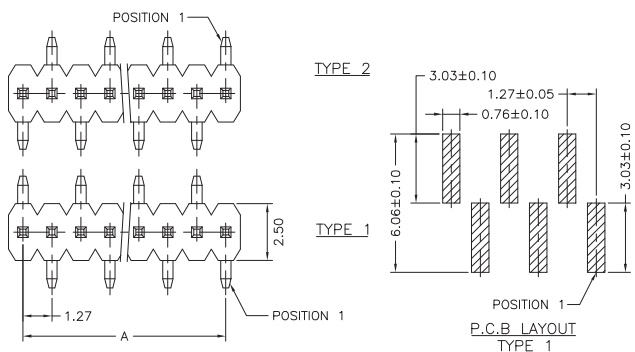
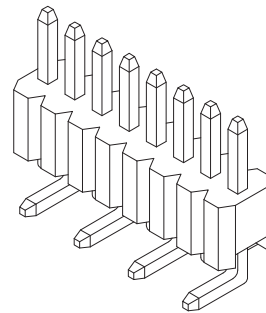
Wafer: Nylon 6T,UL94V-0

*Optional Dim. available but MOQ requested

Ordering Information:

A1273WV-S-XP *

1. Part No.
2. Style:
 - 1-Type 1
 - 2-Type 2



Ordering Information & Dimensions:

PART NO.	Dimensions		PART NO.	Dimensions	
	A	B		A	B
A1273WV-S-03P	2.54	3.81	A1273WV-S-18P	21.59	22.86
A1273WV-S-04P	3.81	5.08	A1273WV-S-19P	22.86	24.13
A1273WV-S-05P	5.08	6.35	A1273WV-S-20P	24.13	25.40
A1273WV-S-06P	6.35	7.62	A1273WV-S-21P	25.40	26.67
A1273WV-S-07P	7.62	8.89	A1273WV-S-22P	26.67	27.94
A1273WV-S-08P	8.89	10.16	A1273WV-S-23P	27.94	29.21
A1273WV-S-09P	10.16	11.43	A1273WV-S-24P	29.21	30.48
A1273WV-S-10P	11.43	12.70	A1273WV-S-25P	30.48	31.75
A1273WV-S-11P	12.70	13.97	A1273WV-S-26P	31.75	33.02
A1273WV-S-12P	13.97	15.24	A1273WV-S-27P	33.02	34.29
A1273WV-S-13P	15.24	16.51	A1273WV-S-28P	34.29	35.56
A1273WV-S-14P	16.51	17.78	A1273WV-S-29P	35.56	36.83
A1273WV-S-15P	17.78	19.05	A1273WV-S-30P	36.83	38.10
A1273WV-S-16P	19.05	20.32	A1273WV-S-31P	38.10	39.37
A1273WV-S-17P	20.32	21.59	A1273WV-S-32P	39.37	40.64

Unit:mm

A
B
C
F
ST
HRJ
DC

*

A1273 SERIES

1.27mm pitch wire to board connector

A1273WVA

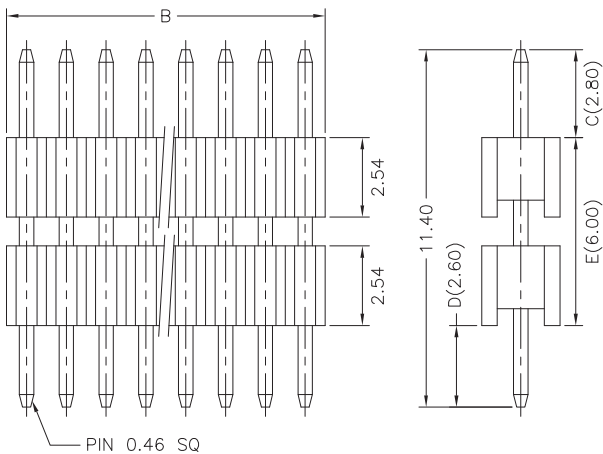
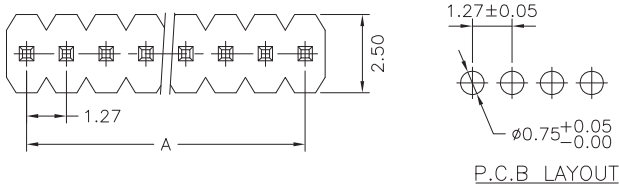
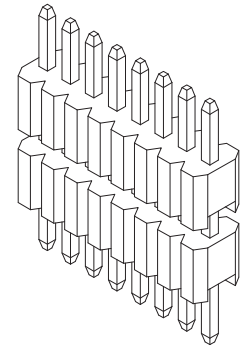
1.27mm pitch 180° Single Row Pin Header

Reference Informations:

*Material: Pin: Brass/Gold-flash

Wafer: Nylon 6T,UL94V-0

*Optional Dim. available but MOQ requested



Ordering Information & Dimensions:

PART NO.	Dimensions		PART NO.	Dimensions	
	A	B		A	B
A1273WVA-03P	2.54	3.81	A1273WVA-18P	21.59	22.86
A1273WVA-04P	3.81	5.08	A1273WVA-19P	22.86	24.13
A1273WVA-05P	5.08	6.35	A1273WVA-20P	24.13	25.40
A1273WVA-06P	6.35	7.62	A1273WVA-21P	25.40	26.67
A1273WVA-07P	7.62	8.89	A1273WVA-22P	26.67	27.94
A1273WVA-08P	8.89	10.16	A1273WVA-23P	27.94	29.21
A1273WVA-09P	10.16	11.43	A1273WVA-24P	29.21	30.48
A1273WVA-10P	11.43	12.70	A1273WVA-25P	30.48	31.75
A1273WVA-11P	12.70	13.97	A1273WVA-26P	31.75	33.02
A1273WVA-12P	13.97	15.24	A1273WVA-27P	33.02	34.29
A1273WVA-13P	15.24	16.51	A1273WVA-28P	34.29	35.56
A1273WVA-14P	16.51	17.78	A1273WVA-29P	35.56	36.83
A1273WVA-15P	17.78	19.05	A1273WVA-30P	36.83	38.10
A1273WVA-16P	19.05	20.32	A1273WVA-31P	38.10	39.37
A1273WVA-17P	20.32	21.59	A1273WVA-32P	39.37	40.64

Unit:mm

A1273WVA-S

1.27mm pitch 180° Single Row Pin Header - SMT TYPE

Reference Informations:

*Material: Pin: Brass/Gold-flash

Wafer: Nylon 6T,UL94V-0

*Optional Dim. available but MOQ requested

Ordering Information:

A1273WVA-S-XP *

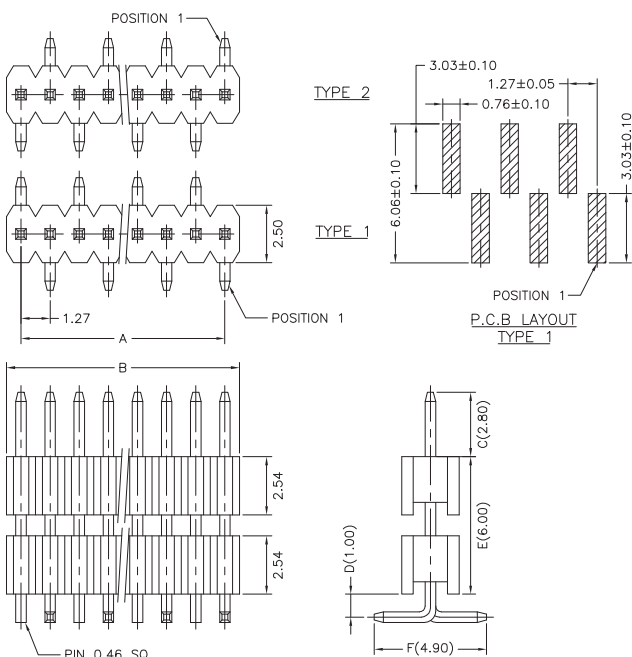
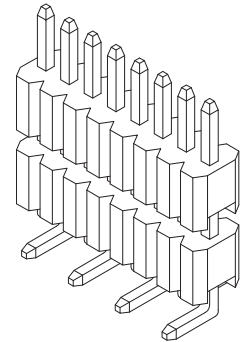
1 2

1.Part No.

2.Style:

1-Type 1

2-Type 2



Ordering Information & Dimensions:

PART NO.	Dimensions		PART NO.	Dimensions	
	A	B		A	B
A1273WVA-S-03P	2.54	3.81	A1273WVA-S-18P	21.59	22.86
A1273WVA-S-04P	3.81	5.08	A1273WVA-S-19P	22.86	24.13
A1273WVA-S-05P	5.08	6.35	A1273WVA-S-20P	24.13	25.40
A1273WVA-S-06P	6.35	7.62	A1273WVA-S-21P	25.40	26.67
A1273WVA-S-07P	7.62	8.89	A1273WVA-S-22P	26.67	27.94
A1273WVA-S-08P	8.89	10.16	A1273WVA-S-23P	27.94	29.21
A1273WVA-S-09P	10.16	11.43	A1273WVA-S-24P	29.21	30.48
A1273WVA-S-10P	11.43	12.70	A1273WVA-S-25P	30.48	31.75
A1273WVA-S-11P	12.70	13.97	A1273WVA-S-26P	31.75	33.02
A1273WVA-S-12P	13.97	15.24	A1273WVA-S-27P	33.02	34.29
A1273WVA-S-13P	15.24	16.51	A1273WVA-S-28P	34.29	35.56
A1273WVA-S-14P	16.51	17.78	A1273WVA-S-29P	35.56	36.83
A1273WVA-S-15P	17.78	19.05	A1273WVA-S-30P	36.83	38.10
A1273WVA-S-16P	19.05	20.32	A1273WVA-S-31P	38.10	39.37
A1273WVA-S-17P	20.32	21.59	A1273WVA-S-32P	39.37	40.64

Unit:mm

A1273WR

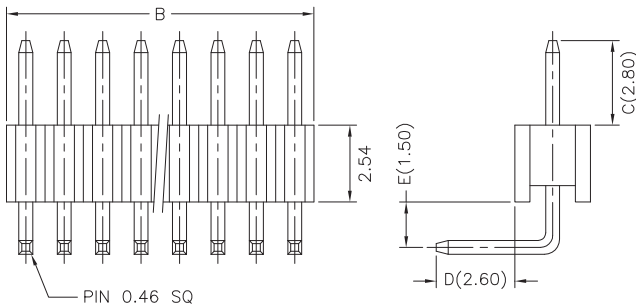
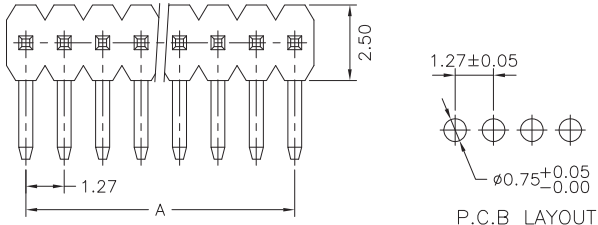
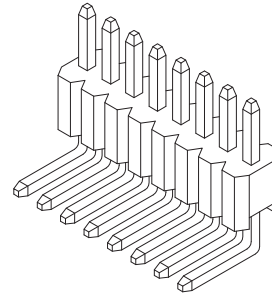
—1.27mm pitch 90° Single Row Pin Header—

Reference Informations:

*Material: Pin: Brass/Gold-flash

Wafer: Nylon 6T,UL94V-0

*Optional Dim. available but MOQ requested



Ordering Information & Dimensions:

PART NO.	Dimensions		PART NO.	Dimensions	
	A	B		A	B
A1273WR-03P	2.54	3.81	A1273WR-18P	21.59	22.86
A1273WR-04P	3.81	5.08	A1273WR-19P	22.86	24.13
A1273WR-05P	5.08	6.35	A1273WR-20P	24.13	25.40
A1273WR-06P	6.35	7.62	A1273WR-21P	25.40	26.67
A1273WR-07P	7.62	8.89	A1273WR-22P	26.67	27.94
A1273WR-08P	8.89	10.16	A1273WR-23P	27.94	29.21
A1273WR-09P	10.16	11.43	A1273WR-24P	29.21	30.48
A1273WR-10P	11.43	12.70	A1273WR-25P	30.48	31.75
A1273WR-11P	12.70	13.97	A1273WR-26P	31.75	33.02
A1273WR-12P	13.97	15.24	A1273WR-27P	33.02	34.29
A1273WR-13P	15.24	16.51	A1273WR-28P	34.29	35.56
A1273WR-14P	16.51	17.78	A1273WR-29P	35.56	36.83
A1273WR-15P	17.78	19.05	A1273WR-30P	36.83	38.10
A1273WR-16P	19.05	20.32	A1273WR-31P	38.10	39.37
A1273WR-17P	20.32	21.59	A1273WR-32P	39.37	40.64

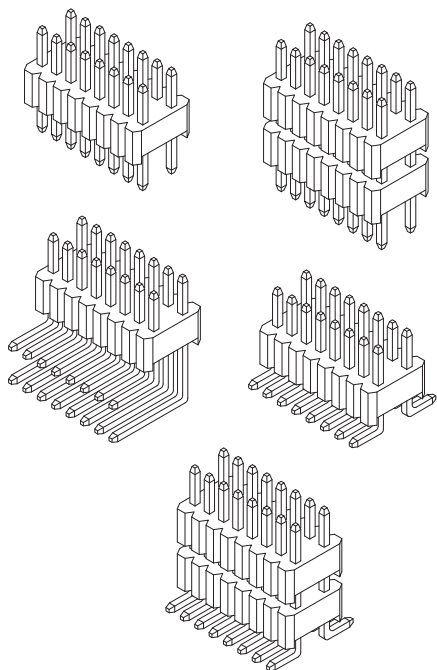
Unit:mm

A
B
C
F
ST
HRJ
DC



Specifications

Current rating: 1A AC,DC
Voltage rating: 250V AC,DC
Temperature range: -25°C ~ +85°C
Contact resistance: 20mΩ Max.
Insulation resistance: 5000MΩ Min.
Withstanding voltage: 500V AC/minute



Ordering code

① A1274 ② WV ③ A ④ -S- ⑤ 2X ⑥ 05P

- ① Series No.
- ② Connector type: WV=Vertical, WR=Right angle
- ③ Blank=Normal type
A=Dual body stacking headers
- ④ Mounting type: Blank=Through hole
-S=SMT without boss
- ⑤ 2X=Dual row
- ⑥ No. of circuits

A1274 SERIES

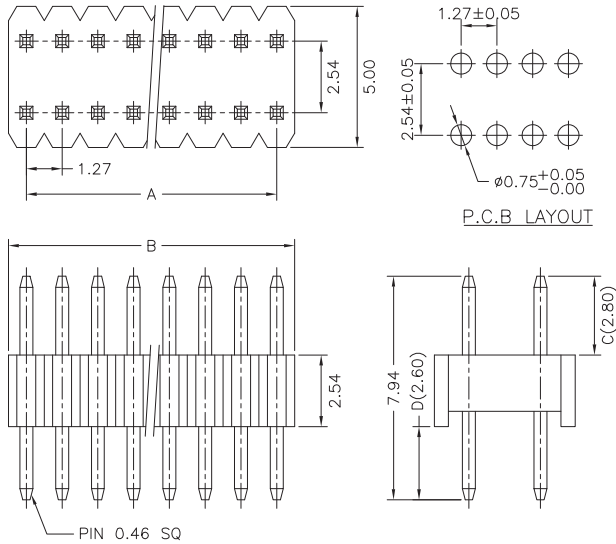
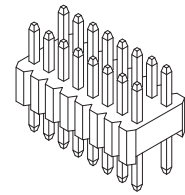
1.27mm X 2.54mm pitch wire to board connector

A1274WV-2

1.27mm X 2.54mm pitch 180° Dual Row Pin Header

Reference Informations:

- *Material: Pin: Brass/Gold-flash
Wafer: Nylon 6T,UL94V-0
- *Optional Dim. available but MOQ requested



Ordering Information & Dimensions:

PART NO.	Dimensions		PART NO.	Dimensions	
	A	B		A	B
A1274WV-2X03P	2.54	3.81	A1274WV-2X27P	33.02	34.29
A1274WV-2X04P	3.81	5.08	A1274WV-2X28P	34.29	35.56
A1274WV-2X05P	5.08	6.35	A1274WV-2X29P	35.56	36.83
A1274WV-2X06P	6.35	7.62	A1274WV-2X30P	36.83	38.10
A1274WV-2X07P	7.62	8.89	A1274WV-2X31P	38.10	39.37
A1274WV-2X08P	8.89	10.16	A1274WV-2X32P	39.37	40.64
A1274WV-2X09P	10.16	11.43	A1274WV-2X33P	40.64	41.91
A1274WV-2X10P	11.43	12.70	A1274WV-2X34P	41.91	43.18
A1274WV-2X11P	12.70	13.97	A1274WV-2X35P	43.18	44.45
A1274WV-2X12P	13.97	15.24	A1274WV-2X36P	44.45	45.72
A1274WV-2X13P	15.24	16.51	A1274WV-2X37P	45.72	46.99
A1274WV-2X14P	16.51	17.78	A1274WV-2X38P	46.99	48.26
A1274WV-2X15P	17.78	19.05	A1274WV-2X39P	48.26	49.53
A1274WV-2X16P	19.05	20.32	A1274WV-2X40P	49.53	50.80
A1274WV-2X17P	20.32	21.59	A1274WV-2X41P	50.80	52.07
A1274WV-2X18P	21.59	22.86	A1274WV-2X42P	52.07	53.34
A1274WV-2X19P	22.86	24.13	A1274WV-2X43P	53.34	54.61
A1274WV-2X20P	24.13	25.40	A1274WV-2X44P	54.61	55.88
A1274WV-2X21P	25.40	26.67	A1274WV-2X45P	55.88	57.15
A1274WV-2X22P	26.67	27.94	A1274WV-2X46P	57.15	58.42
A1274WV-2X23P	27.94	29.21	A1274WV-2X47P	58.42	59.69
A1274WV-2X24P	29.21	30.48	A1274WV-2X48P	59.69	60.96
A1274WV-2X25P	30.48	31.75	A1274WV-2X49P	60.96	62.23
A1274WV-2X26P	31.75	33.02	A1274WV-2X50P	62.23	63.50

Unit:mm

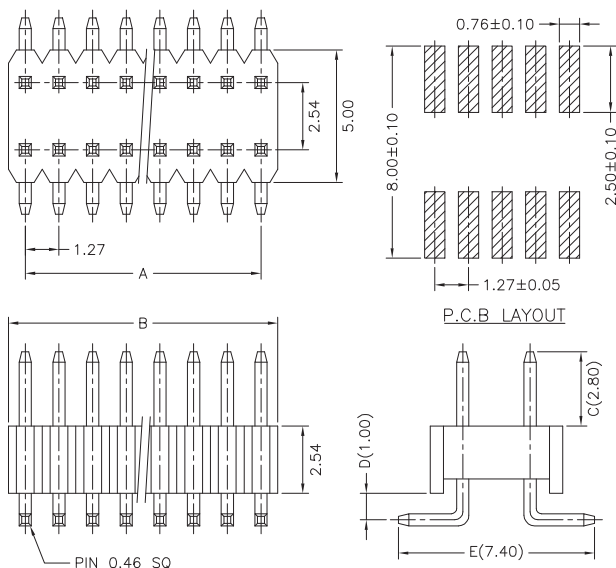
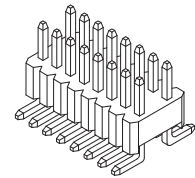
A
B
C
F
ST
HRJ
DC

A1274WV-S-2

1.27mm X 2.54mm pitch 180° Dual Row Pin Header - SMT TYPE

Reference Informations:

- *Material: Pin: Brass/Gold-flash
Wafer: Nylon 6T,UL94V-0
- *Optional Dim. available but MOQ requested



Ordering Information & Dimensions:

PART NO.	Dimensions		PART NO.	Dimensions	
	A	B		A	B
A1274WV-S-2X03P	2.54	3.81	A1274WV-S-2X27P	33.02	34.29
A1274WV-S-2X04P	3.81	5.08	A1274WV-S-2X28P	34.29	35.56
A1274WV-S-2X05P	5.08	6.35	A1274WV-S-2X29P	35.56	36.83
A1274WV-S-2X06P	6.35	7.62	A1274WV-S-2X30P	36.83	38.10
A1274WV-S-2X07P	7.62	8.89	A1274WV-S-2X31P	38.10	39.37
A1274WV-S-2X08P	8.89	10.16	A1274WV-S-2X32P	39.37	40.64
A1274WV-S-2X09P	10.16	11.43	A1274WV-S-2X33P	40.64	41.91
A1274WV-S-2X10P	11.43	12.70	A1274WV-S-2X34P	41.91	43.18
A1274WV-S-2X11P	12.70	13.97	A1274WV-S-2X35P	43.18	44.45
A1274WV-S-2X12P	13.97	15.24	A1274WV-S-2X36P	44.45	45.72
A1274WV-S-2X13P	15.24	16.51	A1274WV-S-2X37P	45.72	46.99
A1274WV-S-2X14P	16.51	17.78	A1274WV-S-2X38P	46.99	48.26
A1274WV-S-2X15P	17.78	19.05	A1274WV-S-2X39P	48.26	49.53
A1274WV-S-2X16P	19.05	20.32	A1274WV-S-2X40P	49.53	50.80
A1274WV-S-2X17P	20.32	21.59	A1274WV-S-2X41P	50.80	52.07
A1274WV-S-2X18P	21.59	22.86	A1274WV-S-2X42P	52.07	53.34
A1274WV-S-2X19P	22.86	24.13	A1274WV-S-2X43P	53.34	54.61
A1274WV-S-2X20P	24.13	25.40	A1274WV-S-2X44P	54.61	55.88
A1274WV-S-2X21P	25.40	26.67	A1274WV-S-2X45P	55.88	57.15
A1274WV-S-2X22P	26.67	27.94	A1274WV-S-2X46P	57.15	58.42
A1274WV-S-2X23P	27.94	29.21	A1274WV-S-2X47P	58.42	59.69
A1274WV-S-2X24P	29.21	30.48	A1274WV-S-2X48P	59.69	60.96
A1274WV-S-2X25P	30.48	31.75	A1274WV-S-2X49P	60.96	62.23
A1274WV-S-2X26P	31.75	33.02	A1274WV-S-2X50P	62.23	63.50

Unit:mm

*

A1274 SERIES

1.27mm X 2.54mm pitch wire to board connector

A1274WVA-2

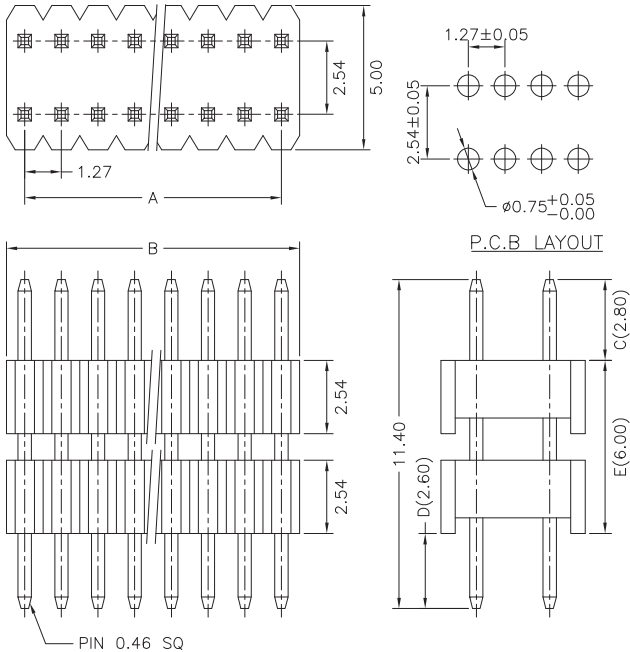
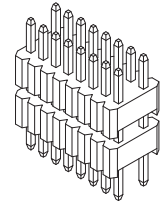
1.27mm X 2.54mm pitch 180° Dual Row Pin Header

Reference Informations:

*Material: Pin: Brass/Gold-flash

Wafer: Nylon 6T,UL94V-0

*Optional Dim. available but MOQ requested



Ordering Information & Dimensions:

PART NO.	Dimensions		PART NO.	Dimensions	
	A	B		A	B
A1274WVA-2X03P	2.54	3.81	A1274WVA-2X27P	33.02	34.29
A1274WVA-2X04P	3.81	5.08	A1274WVA-2X28P	34.29	35.56
A1274WVA-2X05P	5.08	6.35	A1274WVA-2X29P	35.56	36.83
A1274WVA-2X06P	6.35	7.62	A1274WVA-2X30P	36.83	38.10
A1274WVA-2X07P	7.62	8.89	A1274WVA-2X31P	38.10	39.37
A1274WVA-2X08P	8.89	10.16	A1274WVA-2X32P	39.37	40.64
A1274WVA-2X09P	10.16	11.43	A1274WVA-2X33P	40.64	41.91
A1274WVA-2X10P	11.43	12.70	A1274WVA-2X34P	41.91	43.18
A1274WVA-2X11P	12.70	13.97	A1274WVA-2X35P	43.18	44.45
A1274WVA-2X12P	13.97	15.24	A1274WVA-2X36P	44.45	45.72
A1274WVA-2X13P	15.24	16.51	A1274WVA-2X37P	45.72	46.99
A1274WVA-2X14P	16.51	17.78	A1274WVA-2X38P	46.99	48.26
A1274WVA-2X15P	17.78	19.05	A1274WVA-2X39P	48.26	49.53
A1274WVA-2X16P	19.05	20.32	A1274WVA-2X40P	49.53	50.80
A1274WVA-2X17P	20.32	21.59	A1274WVA-2X41P	50.80	52.07
A1274WVA-2X18P	21.59	22.86	A1274WVA-2X42P	52.07	53.34
A1274WVA-2X19P	22.86	24.13	A1274WVA-2X43P	53.34	54.61
A1274WVA-2X20P	24.13	25.40	A1274WVA-2X44P	54.61	55.88
A1274WVA-2X21P	25.40	26.67	A1274WVA-2X45P	55.88	57.15
A1274WVA-2X22P	26.67	27.94	A1274WVA-2X46P	57.15	58.42
A1274WVA-2X23P	27.94	29.21	A1274WVA-2X47P	58.42	59.69
A1274WVA-2X24P	29.21	30.48	A1274WVA-2X48P	59.69	60.96
A1274WVA-2X25P	30.48	31.75	A1274WVA-2X49P	60.96	62.23
A1274WVA-2X26P	31.75	33.02	A1274WVA-2X50P	62.23	63.50

Unit:mm

A1274WVA-S-2

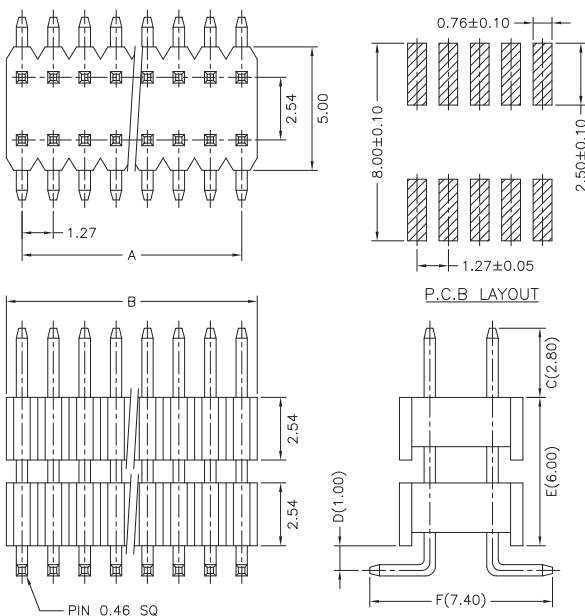
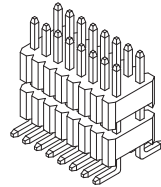
1.27mm X 2.54mm pitch 180° Dual Row Pin Header - SMT TYPE

Reference Informations:

*Material: Pin: Brass/Gold-flash

Wafer: Nylon 6T,UL94V-0

*Optional Dim. available but MOQ requested



Ordering Information & Dimensions:

PART NO.	Dimensions		PART NO.	Dimensions	
	A	B		A	B
A1274WVA-S-2X03P	2.54	3.81	A1274WVA-S-2X27P	33.02	34.29
A1274WVA-S-2X04P	3.81	5.08	A1274WVA-S-2X28P	34.29	35.56
A1274WVA-S-2X05P	5.08	6.35	A1274WVA-S-2X29P	35.56	36.83
A1274WVA-S-2X06P	6.35	7.62	A1274WVA-S-2X30P	36.83	38.10
A1274WVA-S-2X07P	7.62	8.89	A1274WVA-S-2X31P	38.10	39.37
A1274WVA-S-2X08P	8.89	10.16	A1274WVA-S-2X32P	39.37	40.64
A1274WVA-S-2X09P	10.16	11.43	A1274WVA-S-2X33P	40.64	41.91
A1274WVA-S-2X10P	11.43	12.70	A1274WVA-S-2X34P	41.91	43.18
A1274WVA-S-2X11P	12.70	13.97	A1274WVA-S-2X35P	43.18	44.45
A1274WVA-S-2X12P	13.97	15.24	A1274WVA-S-2X36P	44.45	45.72
A1274WVA-S-2X13P	15.24	16.51	A1274WVA-S-2X37P	45.72	46.99
A1274WVA-S-2X14P	16.51	17.78	A1274WVA-S-2X38P	46.99	48.26
A1274WVA-S-2X15P	17.78	19.05	A1274WVA-S-2X39P	48.26	49.53
A1274WVA-S-2X16P	19.05	20.32	A1274WVA-S-2X40P	49.53	50.80
A1274WVA-S-2X17P	20.32	21.59	A1274WVA-S-2X41P	50.80	52.07
A1274WVA-S-2X18P	21.59	22.86	A1274WVA-S-2X42P	52.07	53.34
A1274WVA-S-2X19P	22.86	24.13	A1274WVA-S-2X43P	53.34	54.61
A1274WVA-S-2X20P	24.13	25.40	A1274WVA-S-2X44P	54.61	55.88
A1274WVA-S-2X21P	25.40	26.67	A1274WVA-S-2X45P	55.88	57.15
A1274WVA-S-2X22P	26.67	27.94	A1274WVA-S-2X46P	57.15	58.42
A1274WVA-S-2X23P	27.94	29.21	A1274WVA-S-2X47P	58.42	59.69
A1274WVA-S-2X24P	29.21	30.48	A1274WVA-S-2X48P	59.69	60.96
A1274WVA-S-2X25P	30.48	31.75	A1274WVA-S-2X49P	60.96	62.23
A1274WVA-S-2X26P	31.75	33.02	A1274WVA-S-2X50P	62.23	63.50

Unit:mm

A1274 SERIES

1.27mm X 2.54mm pitch wire to board connector

A1274WR-2

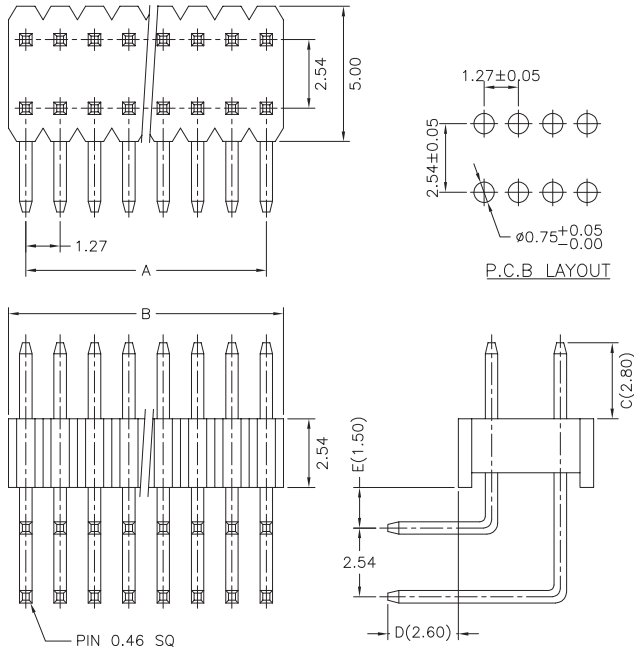
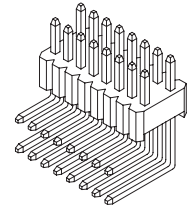
1.27mm X 2.54mm pitch 90° Dual Row Pin Header

Reference Informations:

*Material: Pin: Brass/Gold-flash

Wafer: Nylon 6T,UL94V-0

*Optional Dim. available but MOQ requested



Ordering Information & Dimensions:

PART NO.	Dimensions		PART NO.	Dimensions	
	A	B		A	B
A1274WR-2X03P	2.54	3.81	A1274WR-2X27P	33.02	34.29
A1274WR-2X04P	3.81	5.08	A1274WR-2X28P	34.29	35.56
A1274WR-2X05P	5.08	6.35	A1274WR-2X29P	35.56	36.83
A1274WR-2X06P	6.35	7.62	A1274WR-2X30P	36.83	38.10
A1274WR-2X07P	7.62	8.89	A1274WR-2X31P	38.10	39.37
A1274WR-2X08P	8.89	10.16	A1274WR-2X32P	39.37	40.64
A1274WR-2X09P	10.16	11.43	A1274WR-2X33P	40.64	41.91
A1274WR-2X10P	11.43	12.70	A1274WR-2X34P	41.91	43.18
A1274WR-2X11P	12.70	13.97	A1274WR-2X35P	43.18	44.45
A1274WR-2X12P	13.97	15.24	A1274WR-2X36P	44.45	45.72
A1274WR-2X13P	15.24	16.51	A1274WR-2X37P	45.72	46.99
A1274WR-2X14P	16.51	17.78	A1274WR-2X38P	46.99	48.26
A1274WR-2X15P	17.78	19.05	A1274WR-2X39P	48.26	49.53
A1274WR-2X16P	19.05	20.32	A1274WR-2X40P	49.53	50.80
A1274WR-2X17P	20.32	21.59	A1274WR-2X41P	50.80	52.07
A1274WR-2X18P	21.59	22.86	A1274WR-2X42P	52.07	53.34
A1274WR-2X19P	22.86	24.13	A1274WR-2X43P	53.34	54.61
A1274WR-2X20P	24.13	25.40	A1274WR-2X44P	54.61	55.88
A1274WR-2X21P	25.40	26.67	A1274WR-2X45P	55.88	57.15
A1274WR-2X22P	26.67	27.94	A1274WR-2X46P	57.15	58.42
A1274WR-2X23P	27.94	29.21	A1274WR-2X47P	58.42	59.69
A1274WR-2X24P	29.21	30.48	A1274WR-2X48P	59.69	60.96
A1274WR-2X25P	30.48	31.75	A1274WR-2X49P	60.96	62.23
A1274WR-2X26P	31.75	33.02	A1274WR-2X50P	62.23	63.50

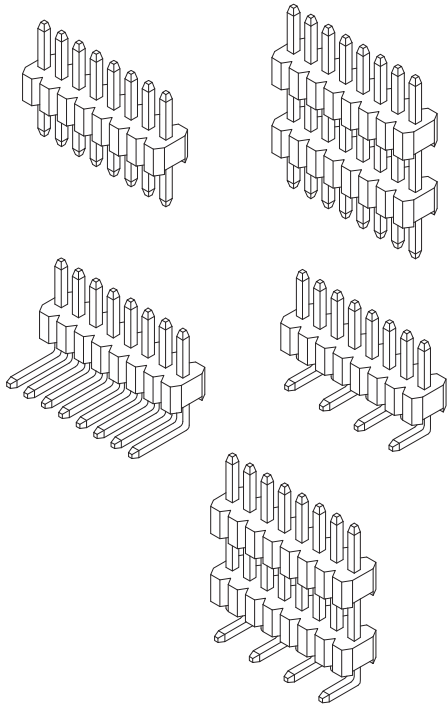
Unit:mm

A
B
C
F
ST
HRJ
DC



Specifications

Current rating: 1A AC,DC
Voltage rating: 250V AC,DC
Temperature range: -25°C ~ +85°C
Contact resistance: 20mΩ Max.
Insulation resistance: 5000MΩ Min.
Withstanding voltage: 500V AC/minute



Ordering code

① A1275 ② WV ③ A ④ -S- ⑤ 05P

- ① Series No.
- ② Connector type: WV=Vertical, WR=Right angle
- ③ Blank=Normal type
A=Dual body stacking headers
- ④ Mounting type: Blank=Through hole
-S=SMT without boss
- ⑤ No. of circuits

A
B
C
F
ST
HRJ
DC

*

A1275 SERIES

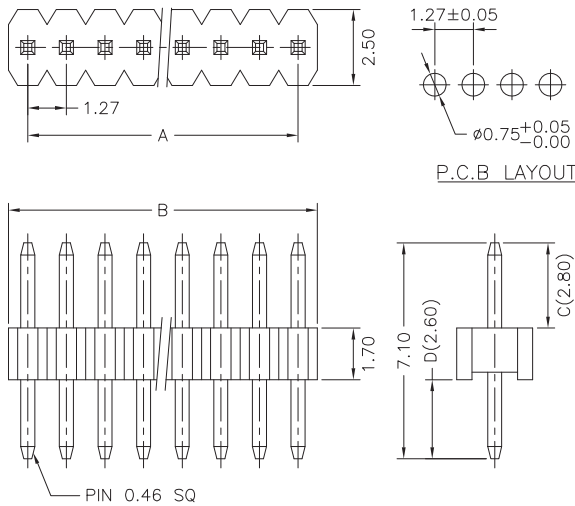
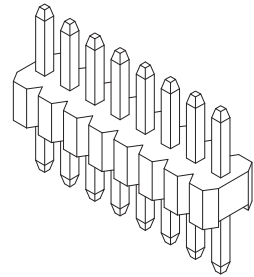
1.27mm pitch wire to board connector

A1275WV

1.27mm pitch 180° Single Row Pin Header

Reference Informations:

- *Material: Pin: Brass/Gold-flash
Wafer: Nylon 6T,UL94V-0
- *Optional Dim. available but MOQ requested



Ordering Information & Dimensions:

PART NO.	Dimensions		PART NO.	Dimensions	
	A	B		A	B
A1275WV-03P	2.54	3.81	A1275WV-18P	21.59	22.86
A1275WV-04P	3.81	5.08	A1275WV-19P	22.86	24.13
A1275WV-05P	5.08	6.35	A1275WV-20P	24.13	25.40
A1275WV-06P	6.35	7.62	A1275WV-21P	25.40	26.67
A1275WV-07P	7.62	8.89	A1275WV-22P	26.67	27.94
A1275WV-08P	8.89	10.16	A1275WV-23P	27.94	29.21
A1275WV-09P	10.16	11.43	A1275WV-24P	29.21	30.48
A1275WV-10P	11.43	12.70	A1275WV-25P	30.48	31.75
A1275WV-11P	12.70	13.97	A1275WV-26P	31.75	33.02
A1275WV-12P	13.97	15.24	A1275WV-27P	33.02	34.29
A1275WV-13P	15.24	16.51	A1275WV-28P	34.29	35.56
A1275WV-14P	16.51	17.78	A1275WV-29P	35.56	36.83
A1275WV-15P	17.78	19.05	A1275WV-30P	36.83	38.10
A1275WV-16P	19.05	20.32	A1275WV-31P	38.10	39.37
A1275WV-17P	20.32	21.59	A1275WV-32P	39.37	40.64

Unit:mm

A
B
C
F
ST
HRJ
DC

A1275WV-S

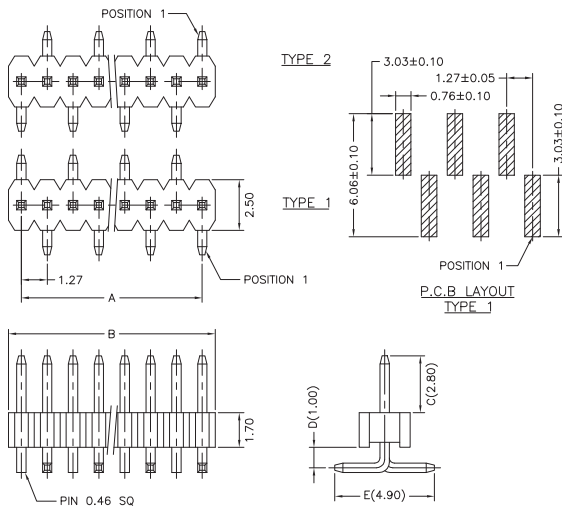
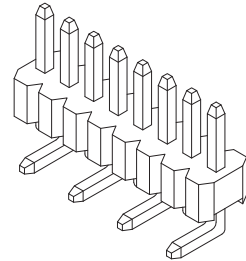
1.27mm pitch 180° Single Row Pin Header - SMT TYPE

Reference Informations:

- *Material: Pin: Brass/Gold-flash
Wafer: Nylon 6T,UL94V-0
- *Optional Dim. available but MOQ requested

Ordering Information:

- A1275WV-S-XP *
1. Part No.
2. Style:
1-Type 1
2-Type 2



Ordering Information & Dimensions:

PART NO.	Dimensions		PART NO.	Dimensions	
	A	B		A	B
A1275WV-S-03P	2.54	3.81	A1275WV-S-18P	21.59	22.86
A1275WV-S-04P	3.81	5.08	A1275WV-S-19P	22.86	24.13
A1275WV-S-05P	5.08	6.35	A1275WV-S-20P	24.13	25.40
A1275WV-S-06P	6.35	7.62	A1275WV-S-21P	25.40	26.67
A1275WV-S-07P	7.62	8.89	A1275WV-S-22P	26.67	27.94
A1275WV-S-08P	8.89	10.16	A1275WV-S-23P	27.94	29.21
A1275WV-S-09P	10.16	11.43	A1275WV-S-24P	29.21	30.48
A1275WV-S-10P	11.43	12.70	A1275WV-S-25P	30.48	31.75
A1275WV-S-11P	12.70	13.97	A1275WV-S-26P	31.75	33.02
A1275WV-S-12P	13.97	15.24	A1275WV-S-27P	33.02	34.29
A1275WV-S-13P	15.24	16.51	A1275WV-S-28P	34.29	35.56
A1275WV-S-14P	16.51	17.78	A1275WV-S-29P	35.56	36.83
A1275WV-S-15P	17.78	19.05	A1275WV-S-30P	36.83	38.10
A1275WV-S-16P	19.05	20.32	A1275WV-S-31P	38.10	39.37
A1275WV-S-17P	20.32	21.59	A1275WV-S-32P	39.37	40.64

Unit:mm

*

A1275 SERIES

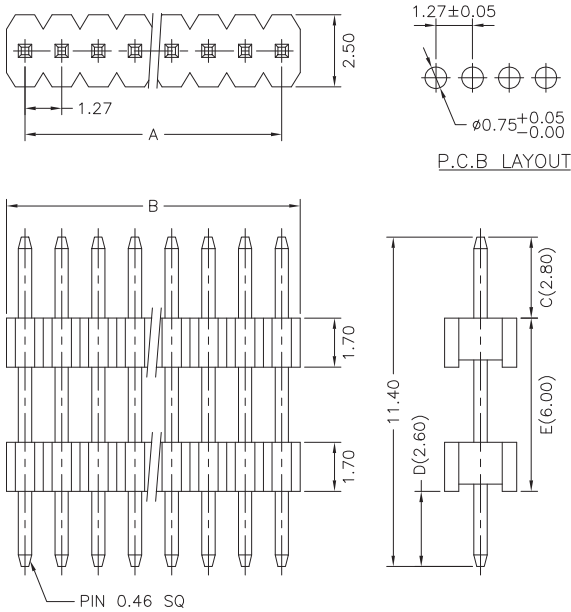
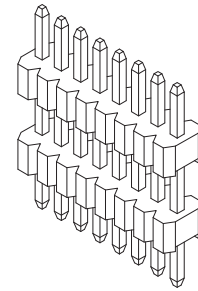
1.27mm pitch wire to board connector

A1275WVA

1.27mm pitch 180° Single Row Pin Header

Reference Informations:

- *Material: Pin: Brass/Gold-flash
Wafer: Nylon 6T,UL94V-0
- *Optional Dim. available but MOQ requested



Ordering Information & Dimensions:

PART NO.	Dimensions		PART NO.	Dimensions	
	A	B		A	B
A1275WVA-03P	2.54	3.81	A1275WVA-18P	21.59	22.86
A1275WVA-04P	3.81	5.08	A1275WVA-19P	22.86	24.13
A1275WVA-05P	5.08	6.35	A1275WVA-20P	24.13	25.40
A1275WVA-06P	6.35	7.62	A1275WVA-21P	25.40	26.67
A1275WVA-07P	7.62	8.89	A1275WVA-22P	26.67	27.94
A1275WVA-08P	8.89	10.16	A1275WVA-23P	27.94	29.21
A1275WVA-09P	10.16	11.43	A1275WVA-24P	29.21	30.48
A1275WVA-10P	11.43	12.70	A1275WVA-25P	30.48	31.75
A1275WVA-11P	12.70	13.97	A1275WVA-26P	31.75	33.02
A1275WVA-12P	13.97	15.24	A1275WVA-27P	33.02	34.29
A1275WVA-13P	15.24	16.51	A1275WVA-28P	34.29	35.56
A1275WVA-14P	16.51	17.78	A1275WVA-29P	35.56	36.83
A1275WVA-15P	17.78	19.05	A1275WVA-30P	36.83	38.10
A1275WVA-16P	19.05	20.32	A1275WVA-31P	38.10	39.37
A1275WVA-17P	20.32	21.59	A1275WVA-32P	39.37	40.64

Unit:mm

A1275WVA-S

1.27mm pitch 180° Single Row Pin Header - SMT TYPE

Reference Informations:

- *Material: Pin: Brass/Gold-flash
Wafer: Nylon 6T,UL94V-0
- *Optional Dim. available but MOQ requested

Ordering Information:

A1275WVA-S-XP *

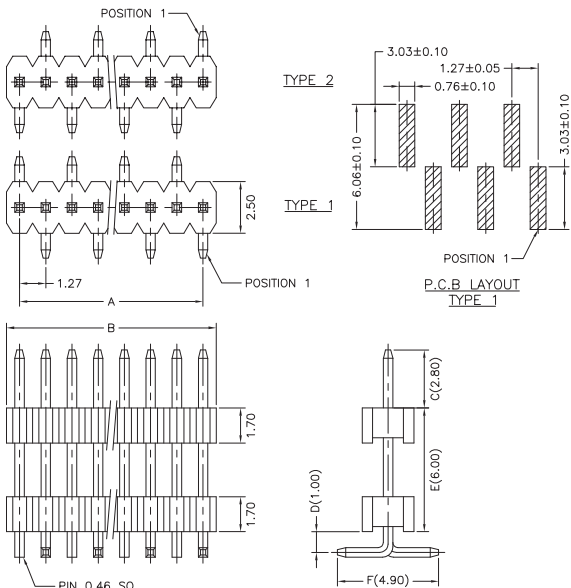
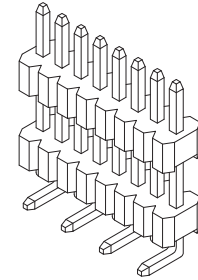
1 2

1.Part No.

2.Style:

1-Type 1

2-Type 2



Ordering Information & Dimensions:

PART NO.	Dimensions		PART NO.	Dimensions	
	A	B		A	B
A1275WVA-S-03P	2.54	3.81	A1275WVA-S-18P	21.59	22.86
A1275WVA-S-04P	3.81	5.08	A1275WVA-S-19P	22.86	24.13
A1275WVA-S-05P	5.08	6.35	A1275WVA-S-20P	24.13	25.40
A1275WVA-S-06P	6.35	7.62	A1275WVA-S-21P	25.40	26.67
A1275WVA-S-07P	7.62	8.89	A1275WVA-S-22P	26.67	27.94
A1275WVA-S-08P	8.89	10.16	A1275WVA-S-23P	27.94	29.21
A1275WVA-S-09P	10.16	11.43	A1275WVA-S-24P	29.21	30.48
A1275WVA-S-10P	11.43	12.70	A1275WVA-S-25P	30.48	31.75
A1275WVA-S-11P	12.70	13.97	A1275WVA-S-26P	31.75	33.02
A1275WVA-S-12P	13.97	15.24	A1275WVA-S-27P	33.02	34.29
A1275WVA-S-13P	15.24	16.51	A1275WVA-S-28P	34.29	35.56
A1275WVA-S-14P	16.51	17.78	A1275WVA-S-29P	35.56	36.83
A1275WVA-S-15P	17.78	19.05	A1275WVA-S-30P	36.83	38.10
A1275WVA-S-16P	19.05	20.32	A1275WVA-S-31P	38.10	39.37
A1275WVA-S-17P	20.32	21.59	A1275WVA-S-32P	39.37	40.64

Unit:mm

A1275WR

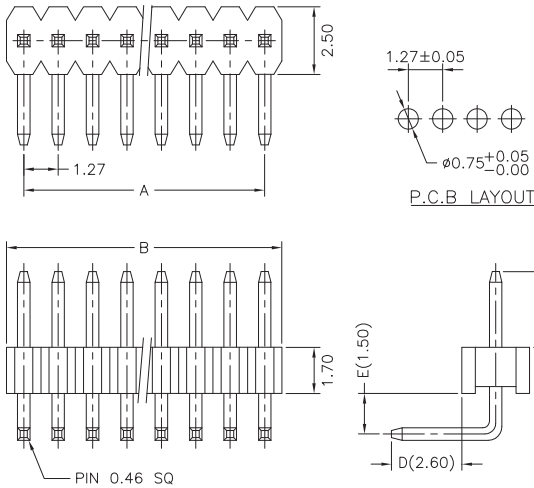
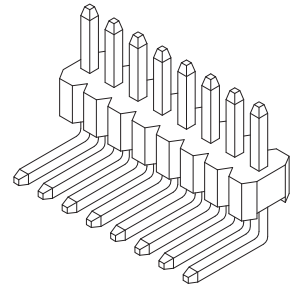
1.27mm pitch 90° Single Row Pin Header

Reference Informations:

*Material: Pin: Brass/Gold-flash

Wafer: Nylon 6T,UL94V-0

*Optional Dim. available but MOQ requested



Ordering Information & Dimensions:

PART NO.	Dimensions		PART NO.	Dimensions	
	A	B		A	B
A1275WR-03P	2.54	3.81	A1275WR-18P	21.59	22.86
A1275WR-04P	3.81	5.08	A1275WR-19P	22.86	24.13
A1275WR-05P	5.08	6.35	A1275WR-20P	24.13	25.40
A1275WR-06P	6.35	7.62	A1275WR-21P	25.40	26.67
A1275WR-07P	7.62	8.89	A1275WR-22P	26.67	27.94
A1275WR-08P	8.89	10.16	A1275WR-23P	27.94	29.21
A1275WR-09P	10.16	11.43	A1275WR-24P	29.21	30.48
A1275WR-10P	11.43	12.70	A1275WR-25P	30.48	31.75
A1275WR-11P	12.70	13.97	A1275WR-26P	31.75	33.02
A1275WR-12P	13.97	15.24	A1275WR-27P	33.02	34.29
A1275WR-13P	15.24	16.51	A1275WR-28P	34.29	35.56
A1275WR-14P	16.51	17.78	A1275WR-29P	35.56	36.83
A1275WR-15P	17.78	19.05	A1275WR-30P	36.83	38.10
A1275WR-16P	19.05	20.32	A1275WR-31P	38.10	39.37
A1275WR-17P	20.32	21.59	A1275WR-32P	39.37	40.64

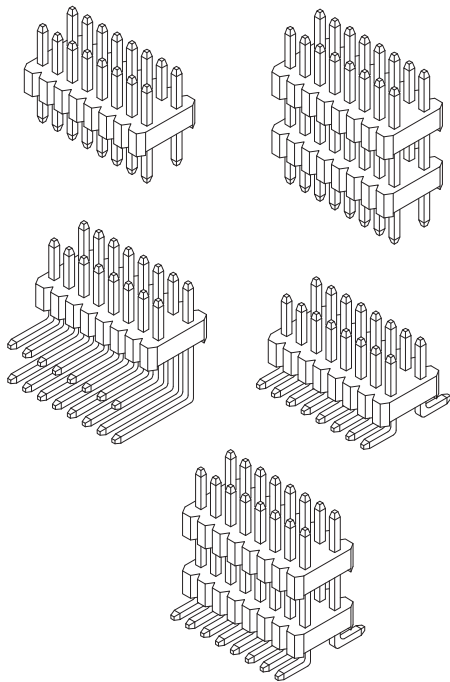
Unit:mm

A
B
C
F
ST
HRJ
DC

*

Specifications

Current rating: 1A AC,DC
Voltage rating: 250V AC,DC
Temperature range: -25°C ~ +85°C
Contact resistance: 20mΩ Max.
Insulation resistance: 5000MΩ Min.
Withstanding voltage: 500V AC/minute



Ordering code

① A1276 ② WV ③ A ④ -S- ⑤ 2X ⑥ 05P

- ① Series No.
- ② Connector type: WV=Vertical, WR=Right angle
- ③ Blank=Normal type
A=Dual body stacking headers
- ④ Mounting type: Blank=Through hole
-S=SMT without boss
- ⑤ 2X=Dual row
- ⑥ No. of circuits

A1276 SERIES

1.27mm X 2.54mm pitch wire to board connector

A1276WV-2

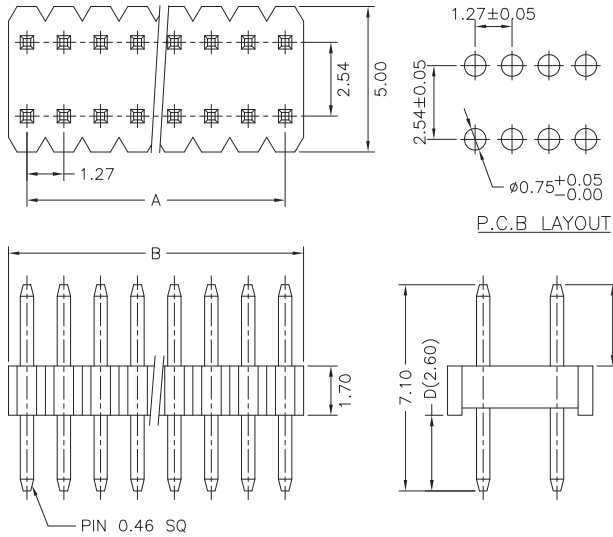
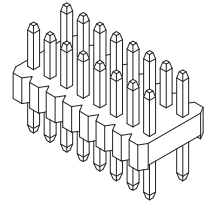
1.27mm X 2.54mm pitch 180° Dual Row Pin Header

Reference Informations:

*Material: Pin: Brass/Gold-flash

Wafer: Nylon 6T,UL94V-0

*Optional Dim. available but MOQ requested



Ordering Information & Dimensions:

PART NO.	Dimensions		PART NO.	Dimensions	
	A	B		A	B
A1276WV-2X03P	2.54	3.81	A1276WV-2X27P	33.02	34.29
A1276WV-2X04P	3.81	5.08	A1276WV-2X28P	34.29	35.56
A1276WV-2X05P	5.08	6.35	A1276WV-2X29P	35.56	36.83
A1276WV-2X06P	6.35	7.62	A1276WV-2X30P	36.83	38.10
A1276WV-2X07P	7.62	8.89	A1276WV-2X31P	38.10	39.37
A1276WV-2X08P	8.89	10.16	A1276WV-2X32P	39.37	40.64
A1276WV-2X09P	10.16	11.43	A1276WV-2X33P	40.64	41.91
A1276WV-2X10P	11.43	12.70	A1276WV-2X34P	41.91	43.18
A1276WV-2X11P	12.70	13.97	A1276WV-2X35P	43.18	44.45
A1276WV-2X12P	13.97	15.24	A1276WV-2X36P	44.45	45.72
A1276WV-2X13P	15.24	16.51	A1276WV-2X37P	45.72	46.99
A1276WV-2X14P	16.51	17.78	A1276WV-2X38P	46.99	48.26
A1276WV-2X15P	17.78	19.05	A1276WV-2X39P	48.26	49.53
A1276WV-2X16P	19.05	20.32	A1276WV-2X40P	49.53	50.80
A1276WV-2X17P	20.32	21.59	A1276WV-2X41P	50.80	52.07
A1276WV-2X18P	21.59	22.86	A1276WV-2X42P	52.07	53.34
A1276WV-2X19P	22.86	24.13	A1276WV-2X43P	53.34	54.61
A1276WV-2X20P	24.13	25.40	A1276WV-2X44P	54.61	55.88
A1276WV-2X21P	25.40	26.67	A1276WV-2X45P	55.88	57.15
A1276WV-2X22P	26.67	27.94	A1276WV-2X46P	57.15	58.42
A1276WV-2X23P	27.94	29.21	A1276WV-2X47P	58.42	59.69
A1276WV-2X24P	29.21	30.48	A1276WV-2X48P	59.69	60.96
A1276WV-2X25P	30.48	31.75	A1276WV-2X49P	60.96	62.23
A1276WV-2X26P	31.75	33.02	A1276WV-2X50P	62.23	63.50

Unit:mm

A
B
C
F
ST
HRJ
DC

A1276WV-S-2

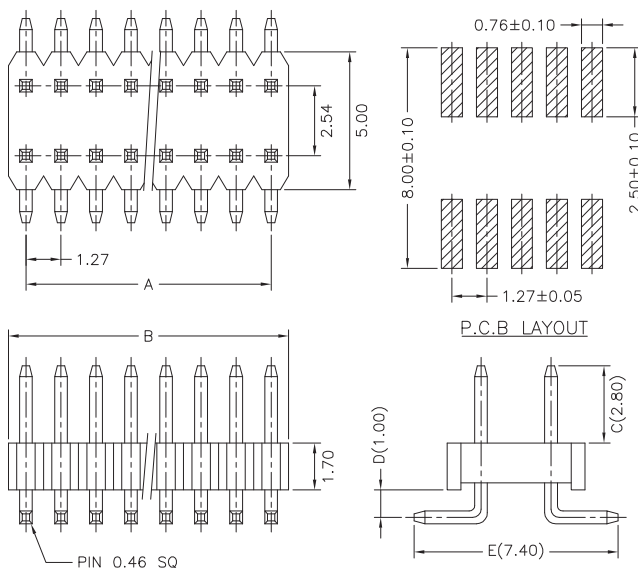
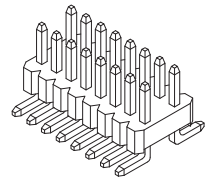
1.27mm X 2.54mm pitch 180° Dual Row Pin Header - SMT TYPE

Reference Informations:

*Material: Pin: Brass/Gold-flash

Wafer: Nylon 6T,UL94V-0

*Optional Dim. available but MOQ requested



Ordering Information & Dimensions:

PART NO.	Dimensions		PART NO.	Dimensions	
	A	B		A	B
A1276WV-S-2X03P	2.54	3.81	A1276WV-S-2X27P	33.02	34.29
A1276WV-S-2X04P	3.81	5.08	A1276WV-S-2X28P	34.29	35.56
A1276WV-S-2X05P	5.08	6.35	A1276WV-S-2X29P	35.56	36.83
A1276WV-S-2X06P	6.35	7.62	A1276WV-S-2X30P	36.83	38.10
A1276WV-S-2X07P	7.62	8.89	A1276WV-S-2X31P	38.10	39.37
A1276WV-S-2X08P	8.89	10.16	A1276WV-S-2X32P	39.37	40.64
A1276WV-S-2X09P	10.16	11.43	A1276WV-S-2X33P	40.64	41.91
A1276WV-S-2X10P	11.43	12.70	A1276WV-S-2X34P	41.91	43.18
A1276WV-S-2X11P	12.70	13.97	A1276WV-S-2X35P	43.18	44.45
A1276WV-S-2X12P	13.97	15.24	A1276WV-S-2X36P	44.45	45.72
A1276WV-S-2X13P	15.24	16.51	A1276WV-S-2X37P	45.72	46.99
A1276WV-S-2X14P	16.51	17.78	A1276WV-S-2X38P	46.99	48.26
A1276WV-S-2X15P	17.78	19.05	A1276WV-S-2X39P	48.26	49.53
A1276WV-S-2X16P	19.05	20.32	A1276WV-S-2X40P	49.53	50.80
A1276WV-S-2X17P	20.32	21.59	A1276WV-S-2X41P	50.80	52.07
A1276WV-S-2X18P	21.59	22.86	A1276WV-S-2X42P	52.07	53.34
A1276WV-S-2X19P	22.86	24.13	A1276WV-S-2X43P	53.34	54.61
A1276WV-S-2X20P	24.13	25.40	A1276WV-S-2X44P	54.61	55.88
A1276WV-S-2X21P	25.40	26.67	A1276WV-S-2X45P	55.88	57.15
A1276WV-S-2X22P	26.67	27.94	A1276WV-S-2X46P	57.15	58.42
A1276WV-S-2X23P	27.94	29.21	A1276WV-S-2X47P	58.42	59.69
A1276WV-S-2X24P	29.21	30.48	A1276WV-S-2X48P	59.69	60.96
A1276WV-S-2X25P	30.48	31.75	A1276WV-S-2X49P	60.96	62.23
A1276WV-S-2X26P	31.75	33.02	A1276WV-S-2X50P	62.23	63.50

Unit:mm

*

A1276 SERIES

1.27mm X 2.54mm pitch wire to board connector

A1276WVA-2

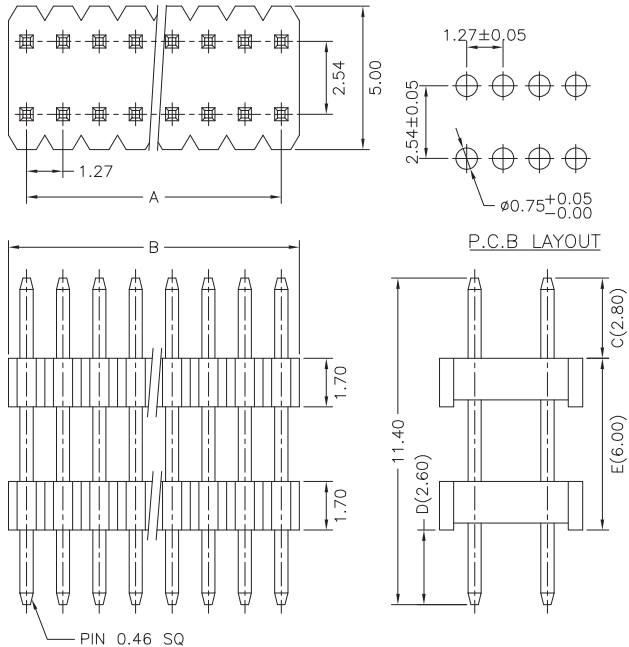
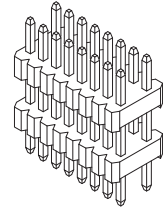
1.27mm X 2.54mm pitch 180° Dual Row Pin Header

Reference Informations:

*Material: Pin: Brass/Gold-flash

Wafer: Nylon 6T,UL94V-0

*Optional Dim. available but MOQ requested



Ordering Information & Dimensions:

PART NO.	Dimensions		PART NO.	Dimensions	
	A	B		A	B
A1276WVA-2X03P	2.54	3.81	A1276WVA-2X27P	33.02	34.29
A1276WVA-2X04P	3.81	5.08	A1276WVA-2X28P	34.29	35.56
A1276WVA-2X05P	5.08	6.35	A1276WVA-2X29P	35.56	36.83
A1276WVA-2X06P	6.35	7.62	A1276WVA-2X30P	36.83	38.10
A1276WVA-2X07P	7.62	8.89	A1276WVA-2X31P	38.10	39.37
A1276WVA-2X08P	8.89	10.16	A1276WVA-2X32P	39.37	40.64
A1276WVA-2X09P	10.16	11.43	A1276WVA-2X33P	40.64	41.91
A1276WVA-2X10P	11.43	12.70	A1276WVA-2X34P	41.91	43.18
A1276WVA-2X11P	12.70	13.97	A1276WVA-2X35P	43.18	44.45
A1276WVA-2X12P	13.97	15.24	A1276WVA-2X36P	44.45	45.72
A1276WVA-2X13P	15.24	16.51	A1276WVA-2X37P	45.72	46.99
A1276WVA-2X14P	16.51	17.78	A1276WVA-2X38P	46.99	48.26
A1276WVA-2X15P	17.78	19.05	A1276WVA-2X39P	48.26	49.53
A1276WVA-2X16P	19.05	20.32	A1276WVA-2X40P	49.53	50.80
A1276WVA-2X17P	20.32	21.59	A1276WVA-2X41P	50.80	52.07
A1276WVA-2X18P	21.59	22.86	A1276WVA-2X42P	52.07	53.34
A1276WVA-2X19P	22.86	24.13	A1276WVA-2X43P	53.34	54.61
A1276WVA-2X20P	24.13	25.40	A1276WVA-2X44P	54.61	55.88
A1276WVA-2X21P	25.40	26.67	A1276WVA-2X45P	55.88	57.15
A1276WVA-2X22P	26.67	27.94	A1276WVA-2X46P	57.15	58.42
A1276WVA-2X23P	27.94	29.21	A1276WVA-2X47P	58.42	59.69
A1276WVA-2X24P	29.21	30.48	A1276WVA-2X48P	59.69	60.96
A1276WVA-2X25P	30.48	31.75	A1276WVA-2X49P	60.96	62.23
A1276WVA-2X26P	31.75	33.02	A1276WVA-2X50P	62.23	63.50

Unit:mm

A1276WVA-S-2

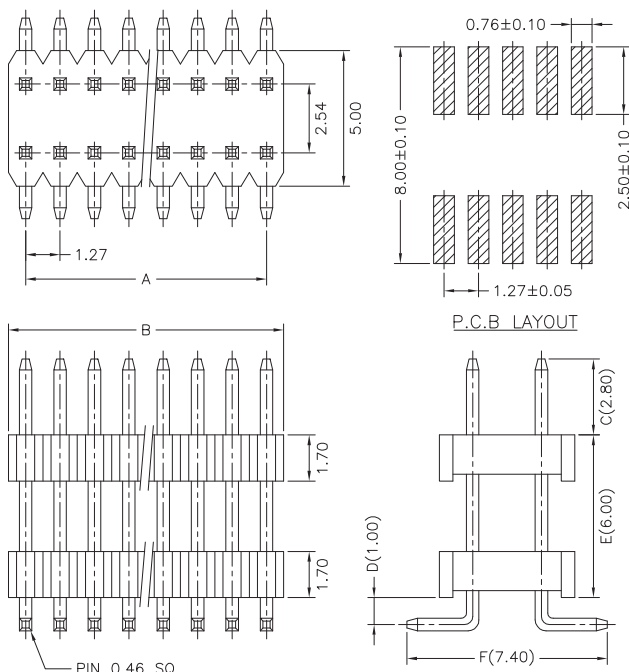
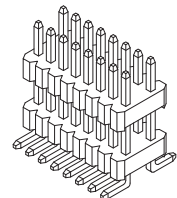
1.27mm X 2.54mm pitch 180° Dual Row Pin Header
- SMT TYPE

Reference Informations:

*Material: Pin: Brass/Gold-flash

Wafer: Nylon 6T,UL94V-0

*Optional Dim. available but MOQ requested



Ordering Information & Dimensions:

PART NO.	Dimensions		PART NO.	Dimensions	
	A	B		A	B
A1276WVA-S-2X03P	2.54	3.81	A1276WVA-S-2X27P	33.02	34.29
A1276WVA-S-2X04P	3.81	5.08	A1276WVA-S-2X28P	34.29	35.56
A1276WVA-S-2X05P	5.08	6.35	A1276WVA-S-2X29P	35.56	36.83
A1276WVA-S-2X06P	6.35	7.62	A1276WVA-S-2X30P	36.83	38.10
A1276WVA-S-2X07P	7.62	8.89	A1276WVA-S-2X31P	38.10	39.37
A1276WVA-S-2X08P	8.89	10.16	A1276WVA-S-2X32P	39.37	40.64
A1276WVA-S-2X09P	10.16	11.43	A1276WVA-S-2X33P	40.64	41.91
A1276WVA-S-2X10P	11.43	12.70	A1276WVA-S-2X34P	41.91	43.18
A1276WVA-S-2X11P	12.70	13.97	A1276WVA-S-2X35P	43.18	44.45
A1276WVA-S-2X12P	13.97	15.24	A1276WVA-S-2X36P	44.45	45.72
A1276WVA-S-2X13P	15.24	16.51	A1276WVA-S-2X37P	45.72	46.99
A1276WVA-S-2X14P	16.51	17.78	A1276WVA-S-2X38P	46.99	48.26
A1276WVA-S-2X15P	17.78	19.05	A1276WVA-S-2X39P	48.26	49.53
A1276WVA-S-2X16P	19.05	20.32	A1276WVA-S-2X40P	49.53	50.80
A1276WVA-S-2X17P	20.32	21.59	A1276WVA-S-2X41P	50.80	52.07
A1276WVA-S-2X18P	21.59	22.86	A1276WVA-S-2X42P	52.07	53.34
A1276WVA-S-2X19P	22.86	24.13	A1276WVA-S-2X43P	53.34	54.61
A1276WVA-S-2X20P	24.13	25.40	A1276WVA-S-2X44P	54.61	55.88
A1276WVA-S-2X21P	25.40	26.67	A1276WVA-S-2X45P	55.88	57.15
A1276WVA-S-2X22P	26.67	27.94	A1276WVA-S-2X46P	57.15	58.42
A1276WVA-S-2X23P	27.94	29.21	A1276WVA-S-2X47P	58.42	59.69
A1276WVA-S-2X24P	29.21	30.48	A1276WVA-S-2X48P	59.69	60.96
A1276WVA-S-2X25P	30.48	31.75	A1276WVA-S-2X49P	60.96	62.23
A1276WVA-S-2X26P	31.75	33.02	A1276WVA-S-2X50P	62.23	63.50

Unit:mm

A1276 SERIES

1.27mm X 2.54mm pitch wire to board connector

A1276WR-2

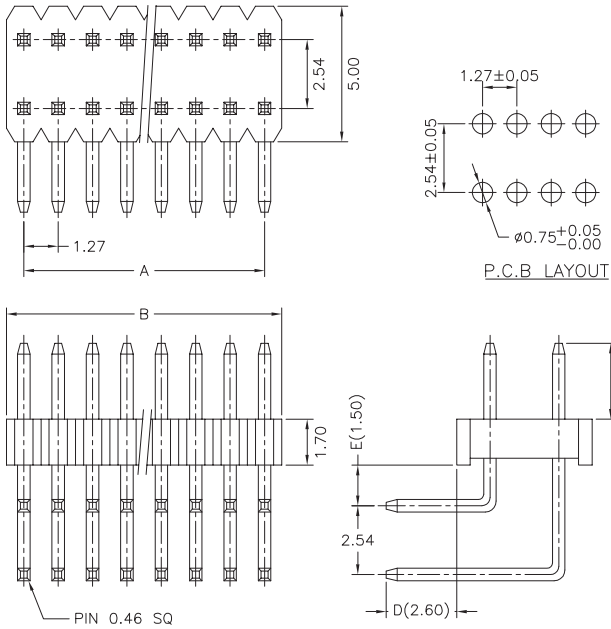
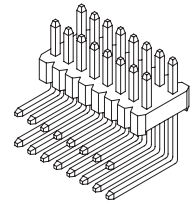
1.27mm X 2.54mm pitch 90° Dual Row Pin Header

Reference Informations:

*Material: Pin: Brass/Gold-flash

Wafer: Nylon 6T,UL94V-0

*Optional Dim. available but MOQ requested



Ordering Information & Dimensions:

PART NO.	Dimensions		PART NO.	Dimensions	
	A	B		A	B
A1276WR-2X03P	2.54	3.81	A1276WR-2X27P	33.02	34.29
A1276WR-2X04P	3.81	5.08	A1276WR-2X28P	34.29	35.56
A1276WR-2X05P	5.08	6.35	A1276WR-2X29P	35.56	36.83
A1276WR-2X06P	6.35	7.62	A1276WR-2X30P	36.83	38.10
A1276WR-2X07P	7.62	8.89	A1276WR-2X31P	38.10	39.37
A1276WR-2X08P	8.89	10.16	A1276WR-2X32P	39.37	40.64
A1276WR-2X09P	10.16	11.43	A1276WR-2X33P	40.64	41.91
A1276WR-2X10P	11.43	12.70	A1276WR-2X34P	41.91	43.18
A1276WR-2X11P	12.70	13.97	A1276WR-2X35P	43.18	44.45
A1276WR-2X12P	13.97	15.24	A1276WR-2X36P	44.45	45.72
A1276WR-2X13P	15.24	16.51	A1276WR-2X37P	45.72	46.99
A1276WR-2X14P	16.51	17.78	A1276WR-2X38P	46.99	48.26
A1276WR-2X15P	17.78	19.05	A1276WR-2X39P	48.26	49.53
A1276WR-2X16P	19.05	20.32	A1276WR-2X40P	49.53	50.80
A1276WR-2X17P	20.32	21.59	A1276WR-2X41P	50.80	52.07
A1276WR-2X18P	21.59	22.86	A1276WR-2X42P	52.07	53.34
A1276WR-2X19P	22.86	24.13	A1276WR-2X43P	53.34	54.61
A1276WR-2X20P	24.13	25.40	A1276WR-2X44P	54.61	55.88
A1276WR-2X21P	25.40	26.67	A1276WR-2X45P	55.88	57.15
A1276WR-2X22P	26.67	27.94	A1276WR-2X46P	57.15	58.42
A1276WR-2X23P	27.94	29.21	A1276WR-2X47P	58.42	59.69
A1276WR-2X24P	29.21	30.48	A1276WR-2X48P	59.69	60.96
A1276WR-2X25P	30.48	31.75	A1276WR-2X49P	60.96	62.23
A1276WR-2X26P	31.75	33.02	A1276WR-2X50P	62.23	63.50

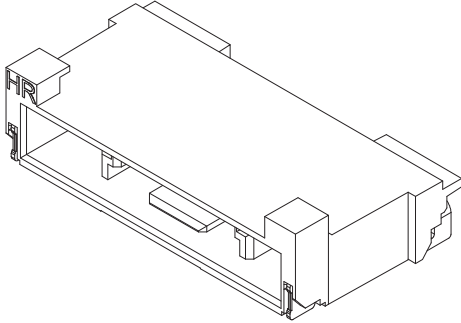
Unit:mm

A
B
C
F
ST
HRJ
DC



Specifications

Current rating: 1A AC,DC
Voltage rating: 3000V AC,DC
Temperature range: -25°C ~ +85°C
Contact resistance: 10mΩ Max.
Insulation resistance: 1000MΩ Min.
Withstanding voltage: 5000V AC/minute



Ordering code

① ② ③ ④ ⑤
A1300 WR-S-02P D01

- ① Series No.
- ② Connector type: WR=Right angle
- ③ Mounting type: S=SMT
- ④ No. of circuits
- ⑤ Option code:
D01=Gold-flash, Taping reel

A
B
C
F
ST
HRJ
DC

*

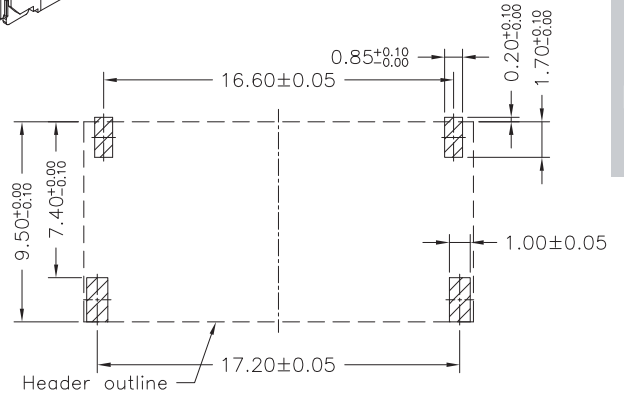
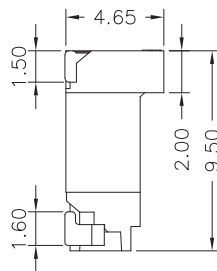
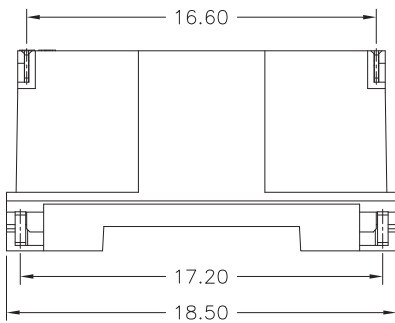
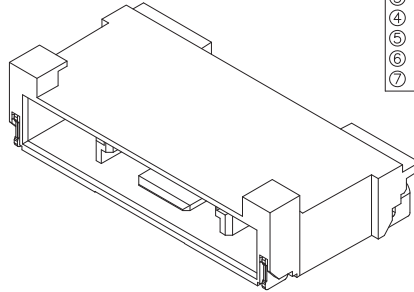
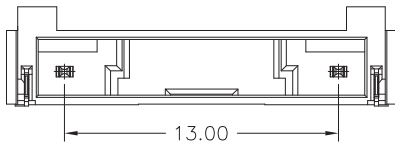
A1300WR-S-02P

13.00mm pitch 90° Wafer - SMT TYPE

Reference Informations:

- *Material: Pin: Brass/Tin-plated
- Solder Tabs: Brass/Tin-plated
- Wafer: Nylon 6T,UL94V-0

	A1300WR-S-02P						
	N	6	B	T1	T	00	R
①	②	③	④	⑤	⑥	⑦	
① N=Halogen Free							
② Material: 6=Nylon 6T							
③ Color: B=Black							
④ Plating code: T1=Tin-plated, G1=Gold-flash							
⑤ Plating code: T=Tin-plated, G=Gold-flash							
⑥ Option code: 00=Standard							
⑦ Packing code: R=Tape & Reel							



P.C.B. LAYOUT

A
B
C
F
ST
HRJ
DC

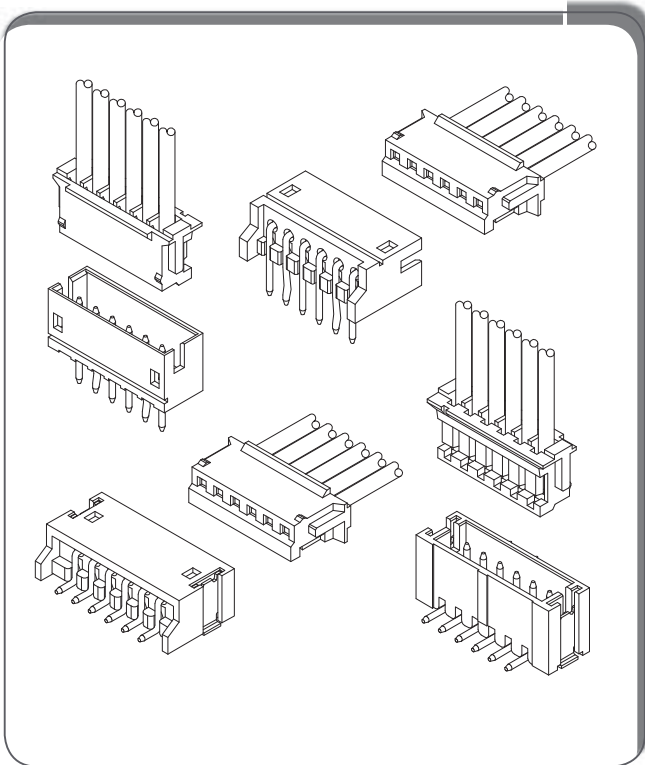


Specifications

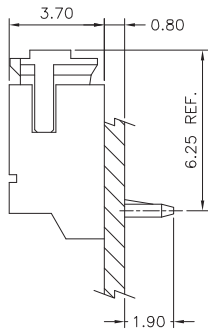
Current rating: 1A AC,DC
 Voltage rating: 100V AC,DC
 Temperature range: -25°C ~ +85°C
 Contact resistance: 20mΩ Max.
 Insulation resistance: 500MΩ Min.
 Withstanding voltage: 500V AC/minute

Standards

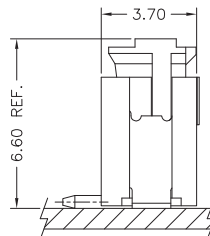
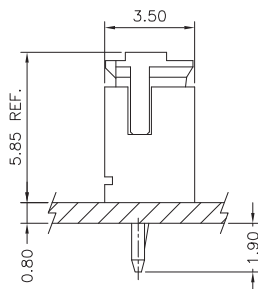
A
B
C
F
ST
HRJ
DC



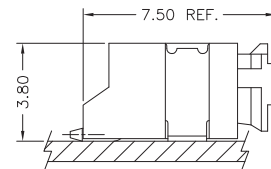
Assembly layout



DIP TYPE



SMT TYPE



Ordering code

① ② ③ ④ ⑤
A1500-T P E -H

- ① Series No.
- ② Plating code: T=Tin-plated, G=Gold-flash
- ③ Material: P=Phosphor bronze
- ④ E=Stamping before plating
- ⑤ Option code:
-H=For AWG#24-#30 wire

① ② ③
A1500 H-05P

- ① Series No.
- ② H=Housing
- ③ No. of circuits

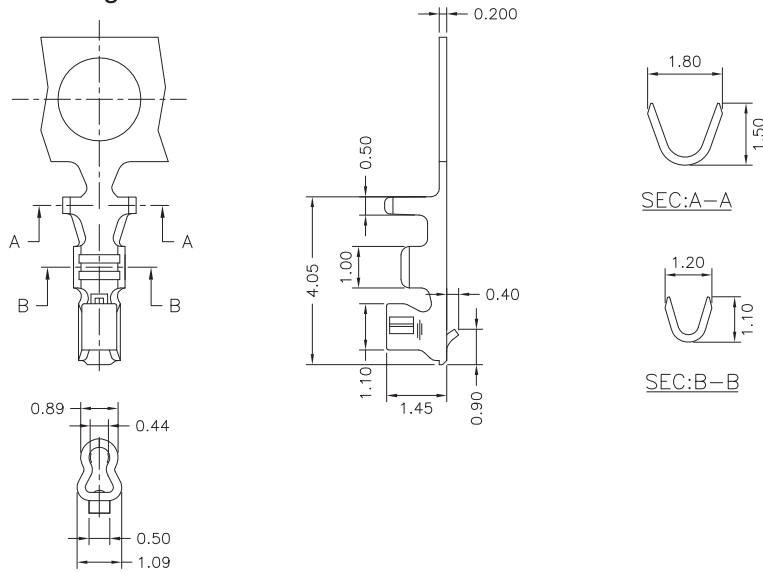
① ② ③ ④ ⑤
A1500 WV -S-05P D01

- ① Series No.
- ② Connector type: WV=Vertical, WR=Right angle
- ③ Mounting type: Blank=Through hole
-S=SMT
- ④ No. of circuits
- ⑤ Option code:
46G=Nylon 46, Gold-flash(Through hole type only)
D01=Gold-flash, Taping reel(SMT type only)
DA1=Gold-flash, Taping reel(SMT-A type only)

A1500-T — 1.50mm pitch Crimp Terminal

Reference Informations:

*Used in A1500 series Housing



A
B
C
F
ST
HRJ
DC

Ordering Information & Specifications:

Unit:mm

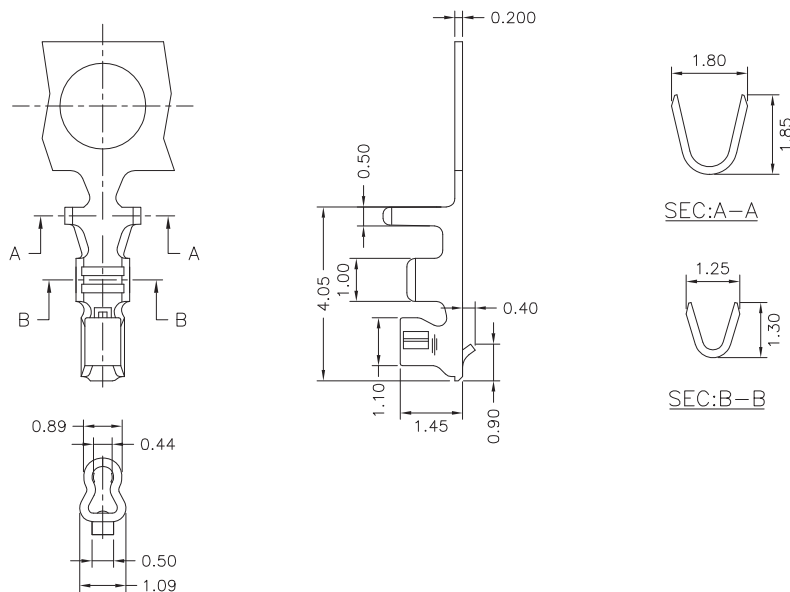
Part No.	Wire Range	Insulation O.D.	Material	Finish	Qty/reel
A1500-TPE	AWG#26-#32	1.10mm(max)	Phosphor Bronze	Tin-plated	15,000pcs
A1500-GPE	AWG#26-#32	1.10mm(max)	Phosphor Bronze	Gold-flash	15,000pcs

Note:E-Stamping before Tin-plated or Gold-flash

A1500-T — 1.50mm pitch Crimp Terminal

Reference Informations:

*Used in A1500 series Housing



Ordering Information & Specifications:

Unit:mm

Part No.	Wire Range	Insulation O.D.	Material	Finish	Qty/reel
A1500-TPE-H	AWG#24-#30	1.10mm(max)	Phosphor Bronze	Tin-plated	15,000pcs

Note:E-Stamping before Tin-plated

A1500 SERIES

1.50mm pitch wire to board connector

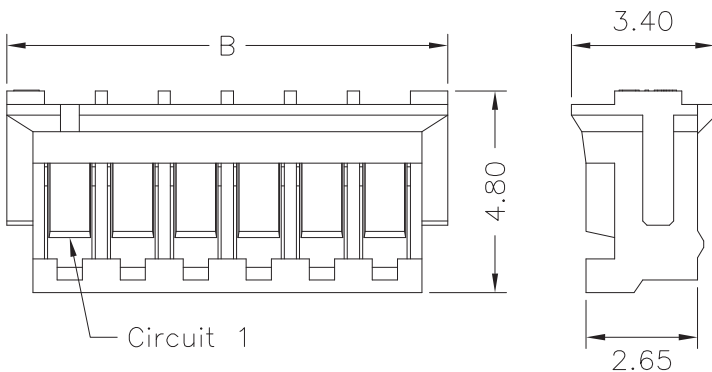
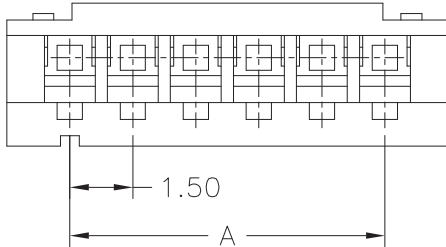
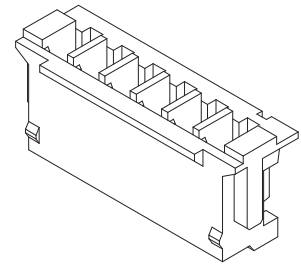
A1500H

1.50mm pitch Housing

Reference Informations:

- *Material: Nylon 66,UL94V-0
- *Suitable A1500 series Terminal
- *Mates with A1500 series Wafer

	A1500H-05P						
	N	0	W	NP	N	00	G
①	②	③	④	⑤	⑥	⑦	
①	N=Halogen Free						
②	Material: 0=Nylon 66-V0						
③	Color: W=White						
④	Plating code: NP=Non-plating						
⑤	Plating code: N=Non-plating						
⑥	Option code: 00=Standard						
⑦	Packing code: G=Bag						



Ordering Information & Dimensions:

PART NO.	Dimensions	
	A	B
A1500H-02P	1.50	4.50
A1500H-03P	3.00	6.00
A1500H-04P	4.50	7.50
A1500H-05P	6.00	9.00
A1500H-06P	7.50	10.50
A1500H-07P	9.00	12.00
A1500H-08P	10.50	13.50
A1500H-09P	12.00	15.00
A1500H-10P	13.50	16.50
A1500H-11P	15.00	18.00
A1500H-12P	16.50	19.50
A1500H-13P	18.00	21.00
A1500H-15P	21.00	24.00

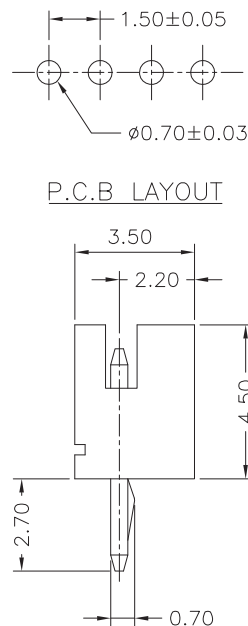
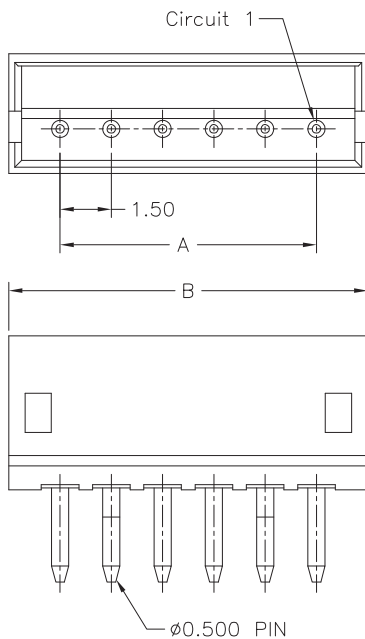
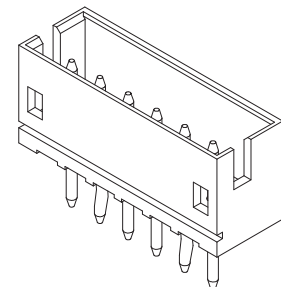
Unit:mm

A1500WV

1.50mm pitch 180° Wafer

Reference Informations:

- *Material: Pin: Brass/Tin-plated
Wafer: Nylon 66,UL94V-0
- *Mates with A1500 series Housing
- *Nylon 46 is available



Ordering Information & Dimensions:

PART NO.	Dimensions	
	A	B
A1500WV-02P	1.50	4.50
A1500WV-03P	3.00	6.00
A1500WV-04P	4.50	7.50
A1500WV-05P	6.00	9.00
A1500WV-06P	7.50	10.50
A1500WV-07P	9.00	12.00
A1500WV-08P	10.50	13.50
A1500WV-09P	12.00	15.00
A1500WV-10P	13.50	16.50
A1500WV-11P	15.00	18.00
A1500WV-12P	16.50	19.50
A1500WV-13P	18.00	21.00
A1500WV-15P	21.00	24.00

Unit:mm

A1500 SERIES

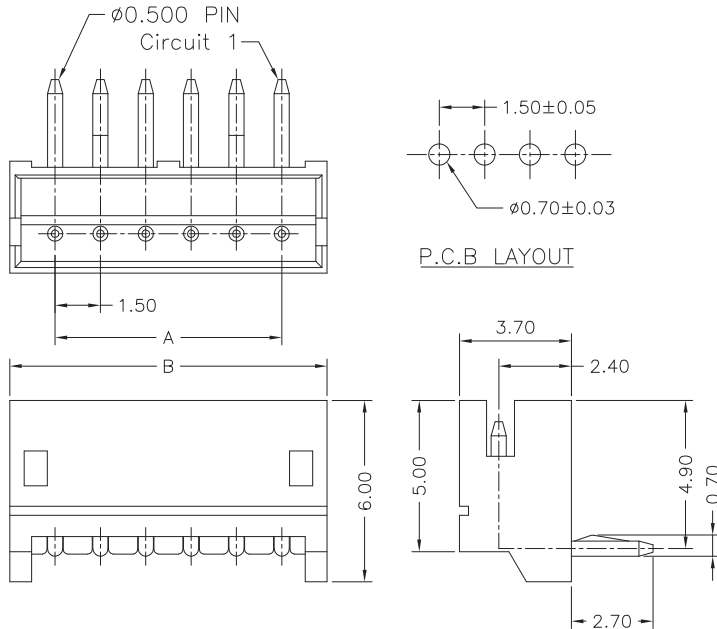
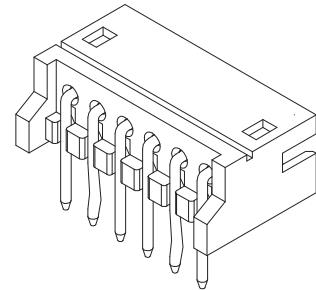
1.50mm pitch wire to board connector

A1500WR

—1.50mm pitch 90° Wafer—

Reference Informations:

- *Material: Pin: Brass/Tin-plated
Wafer: Nylon 66,UL94V-0
- *Mates with A1500 series Housing
- *Nylon 46 is available



Ordering Information & Dimensions:

PART NO.	Dimensions	
	A	B
A1500WR-02P	1.50	4.50
A1500WR-03P	3.00	6.00
A1500WR-04P	4.50	7.50
A1500WR-05P	6.00	9.00
A1500WR-06P	7.50	10.50
A1500WR-07P	9.00	12.00
A1500WR-08P	10.50	13.50
A1500WR-09P	12.00	15.00
A1500WR-10P	13.50	16.50
A1500WR-11P	15.00	18.00
A1500WR-12P	16.50	19.50
A1500WR-13P	18.00	21.00
A1500WR-15P	21.00	24.00

Unit:mm

A
B
C
F
ST
HRJ
DC

A1500WV-S

—1.50mm pitch 180° Wafer - SMT TYPE—

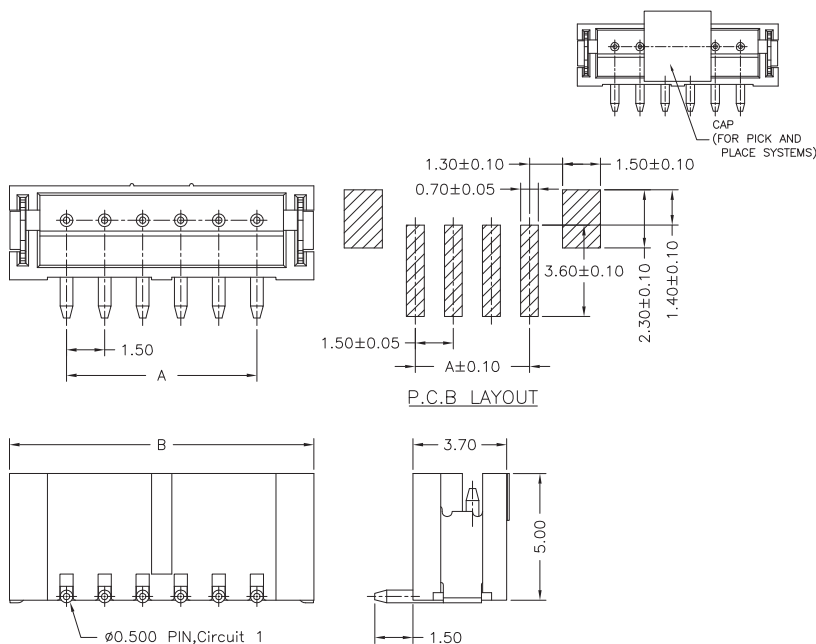
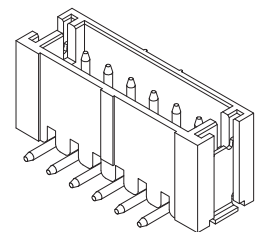
Reference Informations:

- *Material: Pin: Brass/Gold-flash
Solder Tabs: Brass/Gold-flash
Wafer: Nylon 6T,UL94V-0
Cap: Nylon 6T,UL94V-0
- *Mates with A1500 series Housing

A1500WV-S-05P N 6 B G1 G 00 L

① ② ③ ④ ⑤ ⑥ ⑦

- ① N=Halogen Free
- ② Material: 6=Nylon 6T
- ③ Color: B=Black
- ④ Plating code: G1=Gold-flash
- ⑤ Plating code: G=Gold-flash
- ⑥ Option code: 00=Standard
- ⑦ Packing code: L=Tape & Reel(With Cap)



Ordering Information & Dimensions:

PART NO.	Dimensions	
	A	B
A1500WV-S-02PD01	1.50	6.00
A1500WV-S-03PD01	3.00	7.50
A1500WV-S-04PD01	4.50	9.00
A1500WV-S-05PD01	6.00	10.50
A1500WV-S-06PD01	7.50	12.00
A1500WV-S-07PD01	9.00	13.50
A1500WV-S-08PD01	10.50	15.00
A1500WV-S-09PD01	12.00	16.50
A1500WV-S-10PD01	13.50	18.00
A1500WV-S-11PD01	15.00	19.50
A1500WV-S-12PD01	16.50	21.00
A1500WV-S-13PD01	18.00	22.50

Unit:mm

A1500 SERIES

1.50mm pitch wire to board connector

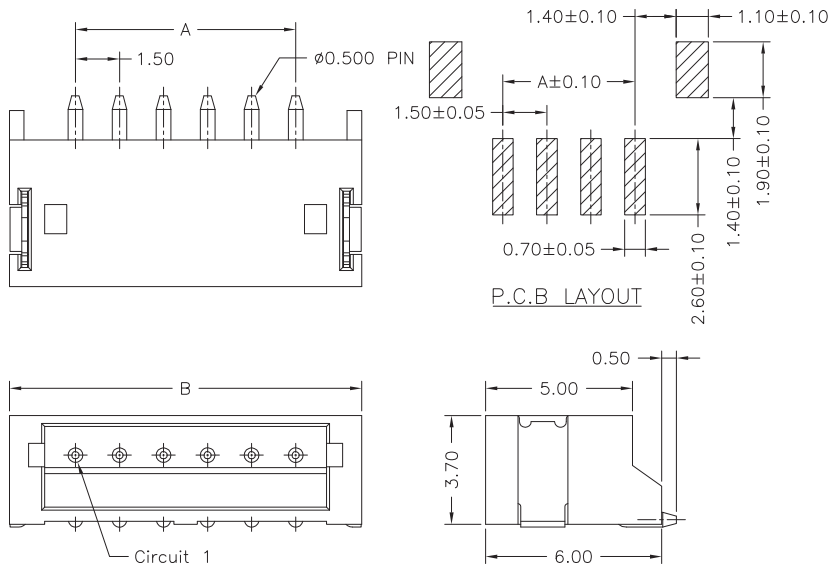
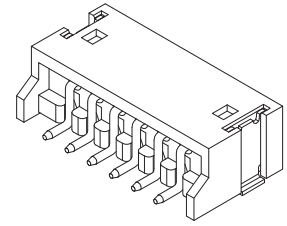
A1500WR-S

—1.50mm pitch 90° Wafer - SMT TYPE—

Reference Informations:

- *Material: Pin: Brass/Gold-flash
Solder Tabs: Brass/Gold-flash
Wafer: Nylon 6T,UL94V-0
- *Mates with A1500 series Housing

	A1500WR-S-05P						
	N	6	B	G1	G	00	R
①	②	③	④	⑤	⑥	⑦	
① N=Halogen Free							
② Material: 6=Nylon 6T							
③ Color: B=Black							
④ Plating code: G1=Gold-flash							
⑤ Plating code: G=Gold-flash							
⑥ Option code: 00=Standard							
⑦ Packing code: R=Tape & Reel							



Ordering Information & Dimensions:

PART NO.	Dimensions	
	A	B
A1500WR-S-02PD01	1.50	6.00
A1500WR-S-03PD01	3.00	7.50
A1500WR-S-04PD01	4.50	9.00
A1500WR-S-05PD01	6.00	10.50
A1500WR-S-06PD01	7.50	12.00
A1500WR-S-07PD01	9.00	13.50
A1500WR-S-08PD01	10.50	15.00
A1500WR-S-09PD01	12.00	16.50
A1500WR-S-10PD01	13.50	18.00
A1500WR-S-11PD01	15.00	19.50
A1500WR-S-12PD01	16.50	21.00
A1500WR-S-13PD01	18.00	22.50

Unit:mm

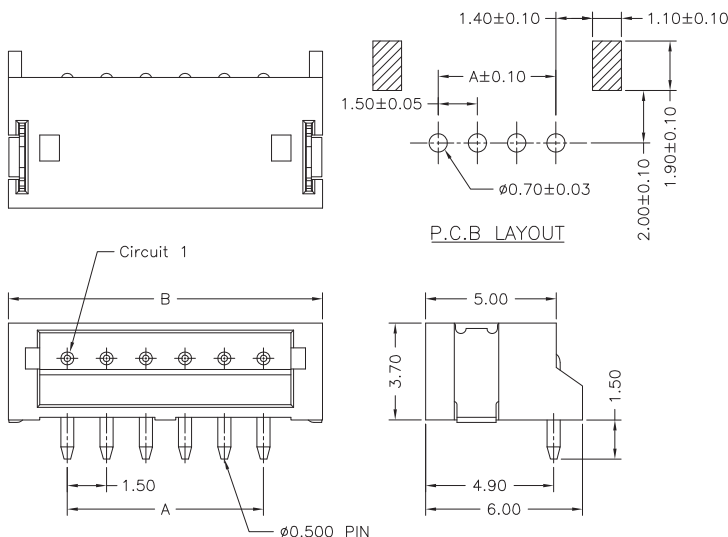
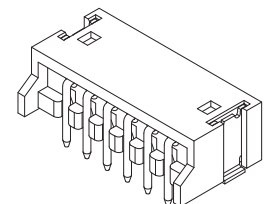
A1500WR-S

—1.50mm pitch 90° Wafer - SMT-A TYPE—

Reference Informations:

- *Material: Pin: Brass/Gold-flash
Solder Tabs: Brass/Gold-flash
Wafer: Nylon 6T,UL94V-0
- *Mates with A1500 series Housing

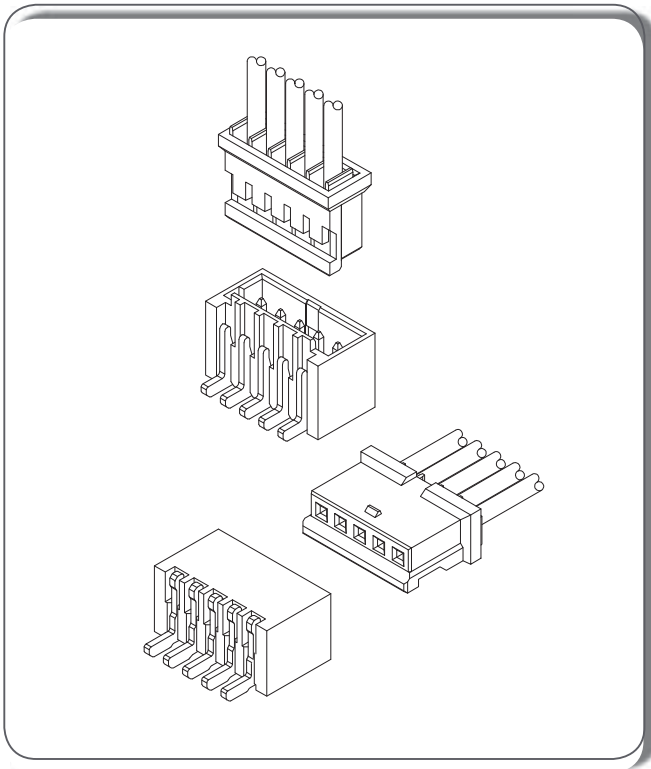
	A1500WR-S-05P						
	N	6	B	G1	G	A0	R
①	②	③	④	⑤	⑥	⑦	
① N=Halogen Free							
② Material: 6=Nylon 6T							
③ Color: B=Black							
④ Plating code: G1=Gold-flash							
⑤ Plating code: G=Gold-flash							
⑥ Option code: A0=Through hole pin							
⑦ Packing code: R=Tape & Reel							



Ordering Information & Dimensions:

PART NO.	Dimensions	
	A	B
A1500WR-S-02PDA1	1.50	6.00
A1500WR-S-03PDA1	3.00	7.50
A1500WR-S-04PDA1	4.50	9.00
A1500WR-S-05PDA1	6.00	10.50
A1500WR-S-06PDA1	7.50	12.00
A1500WR-S-07PDA1	9.00	13.50
A1500WR-S-08PDA1	10.50	15.00
A1500WR-S-09PDA1	12.00	16.50
A1500WR-S-10PDA1	13.50	18.00
A1500WR-S-11PDA1	15.00	19.50
A1500WR-S-12PDA1	16.50	21.00
A1500WR-S-13PDA1	18.00	22.50

Unit:mm

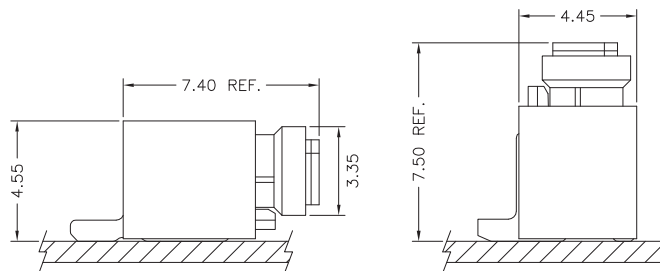


Specifications

Current rating: 3A AC,DC
 Voltage rating: 350V AC,DC
 Temperature range: -25°C ~ +85°C
 Contact resistance: 20mΩ Max.
 Insulation resistance: 1000MΩ Min.
 Withstanding voltage: 500V AC/minute

A
B
C
F
ST
HRJ
DC

Assembly layout



Ordering code

① ② ③ ④
A1501-T P E

- ① Series No.
- ② Plating code: T=Tin-plated
- ③ Material: P=Phosphor bronze
- ④ E=Stamping before plating

① ② ③ ④
A1501 WV-S-05P

- ① Series No.
- ② Connector type: WV=Vertical, WR=Right angle
- ③ Mounting type: S=SMT
- ④ No. of circuits

① ② ③
A1501 H-05P

- ① Series No.
- ② H=Housing
- ③ No. of circuits

A1501 SERIES

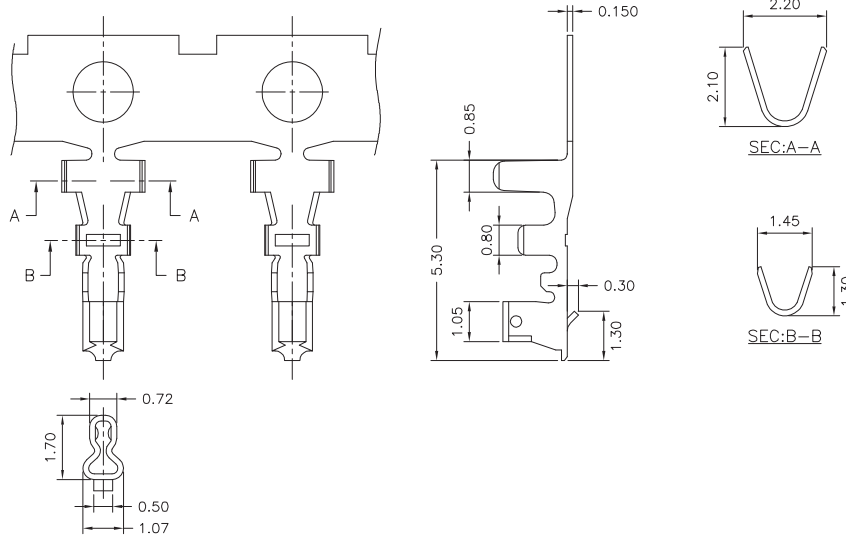
1.50mm pitch wire to board connector

A1501-T

1.50mm pitch Crimp Terminal

Reference Informations:

*Used in A1501 series Housing



Ordering Information & Specifications:

Unit:mm

Part No.	Wire Range	Insulation O.D.	Material	Finish	Qty/reel
A1501-TPE	AWG#24-#28	1.10mm(max)	Phosphor Bronze	Tin-plated	10,000pcs

Note:E-Stamping before Tin-plated

A1501H

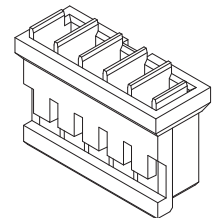
1.50mm pitch Housing

Reference Informations:

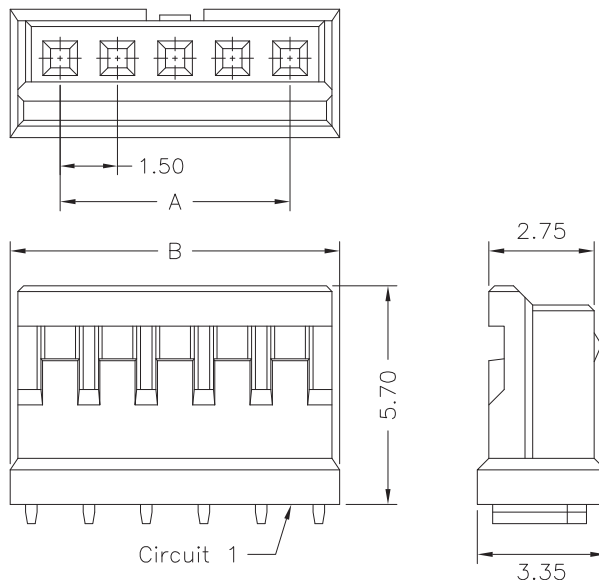
*Material: Nylon 66,UL94V-0

*Suitable A1501 series Terminal

A1501H-05P		N	Q	W	NP	N	00	G
		①	②	③	④	⑤	⑥	⑦
①	N=Halogen Free							
②	Material: 0=Nylon 66-V0							
③	Color: W=White							
④	Plating code: NP=Non-plating							
⑤	Plating code: N=Non-plating							
⑥	Option code: 00=Standard							
⑦	Packing code: G=Bag							



Ordering Information & Dimensions:



PART NO.	Dimensions	
	A	B
A1501H-02P	1.50	4.10
A1501H-03P	3.00	5.60
A1501H-04P	4.50	7.10
A1501H-05P	6.00	8.60
A1501H-06P	7.50	10.10
A1501H-07P	9.00	11.60
A1501H-08P	10.50	13.10
A1501H-09P	12.00	14.60
A1501H-10P	13.50	16.10
A1501H-11P	15.00	17.60
A1501H-12P	16.50	19.10
A1501H-13P	18.00	20.60
A1501H-14P	19.50	22.10
A1501H-15P	21.00	23.60

Unit:mm

A1501 SERIES

1.50mm pitch wire to board connector

A1501WV-S

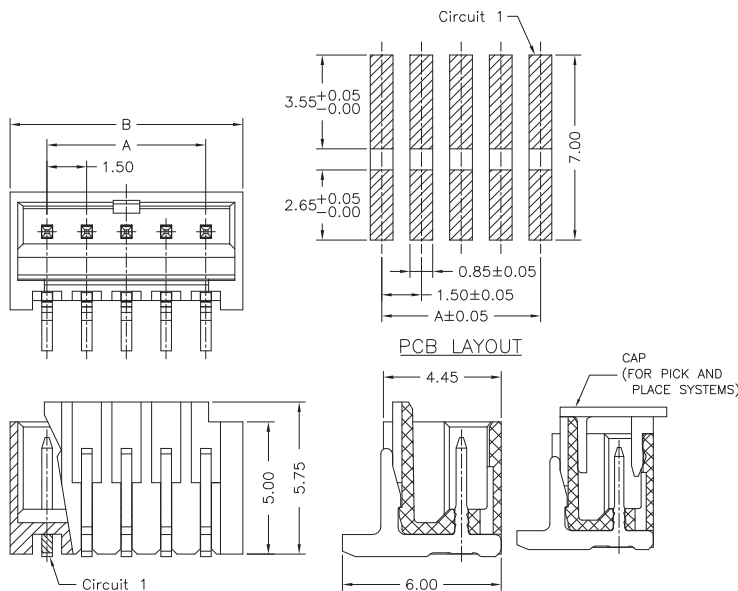
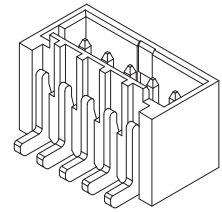
1.50mm pitch 180° Wafer - SMT TYPE

Reference Informations:

- *Material: Pin: Brass/Tin-plated
Wafer: Nylon 6T,UL94V-0
Cap: Nylon 6T,UL94V-0
- *Mates with A1501 series Housing

	A1501WV-S-05P	N	6	B	T1	N	00	L
		①	②	③	④	⑤	⑥	⑦

① N=Halogen Free
② Material: 6=Nylon 6T
③ Color: B=Black
④ Plating code: T1=Tin-plated
⑤ Plating code: N=Non-plating
⑥ Option code: 00=Standard
⑦ Packing code: L=Tape & Reel(With Cap)



Ordering Information & Dimensions:

PART NO.	Dimensions	
	A	B
A1501WV-S-02P	1.50	4.30
A1501WV-S-03P	3.00	5.80
A1501WV-S-04P	4.50	7.30
A1501WV-S-05P	6.00	8.80
A1501WV-S-06P	7.50	10.30
A1501WV-S-07P	9.00	11.80
A1501WV-S-08P	10.50	13.30
A1501WV-S-09P	12.00	14.80
A1501WV-S-10P	13.50	16.30
A1501WV-S-11P	15.00	17.80
A1501WV-S-12P	16.50	19.30
A1501WV-S-13P	18.00	20.80
A1501WV-S-14P	19.50	22.30
A1501WV-S-15P	21.00	23.80

Unit:mm

A1501WR-S

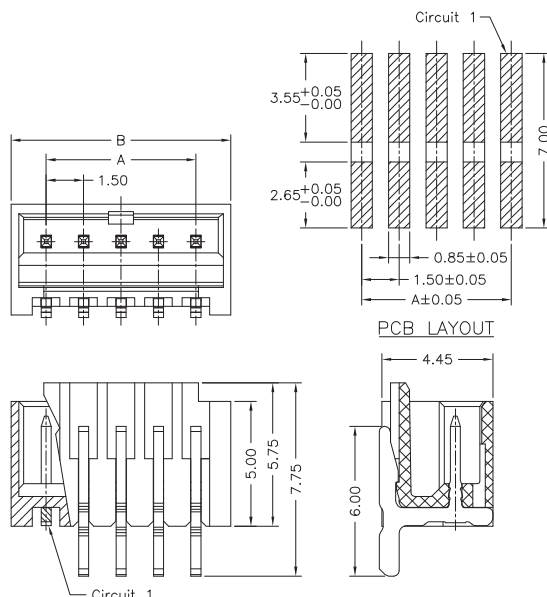
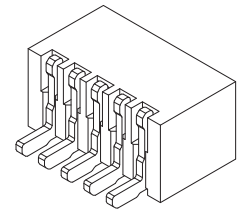
1.50mm pitch 90° Wafer - SMT TYPE

Reference Informations:

- *Material: Pin: Brass/Tin-plated
Wafer: Nylon 6T,UL94V-0
- *Mates with A1501 series Housing

	A1501WR-S-05P	N	6	B	T1	N	00	R
		①	②	③	④	⑤	⑥	⑦

① N=Halogen Free
② Material: 6=Nylon 6T
③ Color: B=Black
④ Plating code: T1=Tin-plated
⑤ Plating code: N=Non-plating
⑥ Option code: 00=Standard
⑦ Packing code: R=Tape & Reel

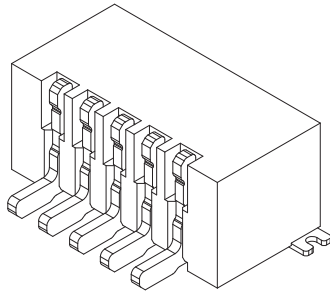


Ordering Information & Dimensions:

PART NO.	Dimensions	
	A	B
A1501WR-S-02P	1.50	4.30
A1501WR-S-03P	3.00	5.80
A1501WR-S-04P	4.50	7.30
A1501WR-S-05P	6.00	8.80
A1501WR-S-06P	7.50	10.30
A1501WR-S-07P	9.00	11.80
A1501WR-S-08P	10.50	13.30
A1501WR-S-09P	12.00	14.80
A1501WR-S-10P	13.50	16.30
A1501WR-S-11P	15.00	17.80
A1501WR-S-12P	16.50	19.30
A1501WR-S-13P	18.00	20.80
A1501WR-S-14P	19.50	22.30
A1501WR-S-15P	21.00	23.80

Unit:mm

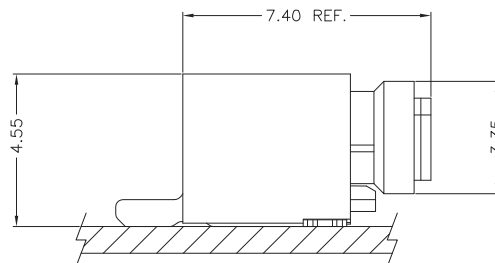
A
B
C
F
ST
HRJ
DC



Specifications

Current rating: 3A AC,DC
Voltage rating: 350V AC,DC
Temperature range: -25°C ~ +85°C
Contact resistance: 20mΩ Max.
Insulation resistance: 1000MΩ Min.
Withstanding voltage: 500V AC/minute

Assembly layout



Ordering code

① A1503 ② WR ③ S ④ 08P ⑤ D01


- ① Series No.
- ② Connector type: WR=Right angle
- ③ Mounting type: S=SMT without boss
- ④ No. of circuits
- ⑤ Option code:
D01=Gold-flash, Taping reel

A1503WR-S

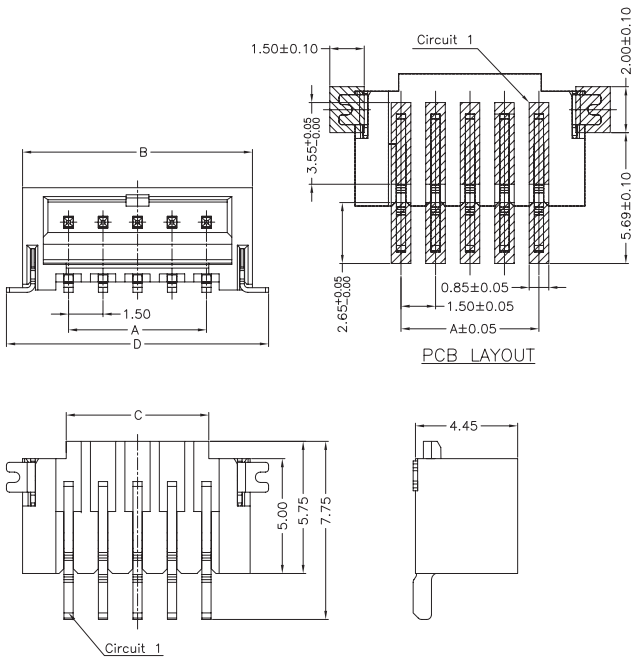
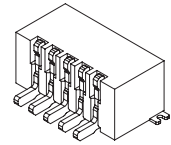
1.50mm pitch 90° Wafer-SMT TYPE

Reference Informations:

- *Material: Pin: Brass/Tin-plated
Solder Tabs: Brass/Tin-plated
Wafer: Nylon 6T, UL94V-0
- *Mates with A1501 serie Housing


 A1503WR-S-NP N 6 B T1 T 00 R
 ① ② ③ ④ ⑤ ⑥ ⑦

- ① N=Halogen Free
- ② Material: 6=Nylon 6T
- ③ Color: B=Black
- ④ Plating code for contacts: T1=Matte Tin-plated
- ⑤ Plating code for solder tabs: T=Matte Tin-plated
- ⑥ Option code: 00=Standard
- ⑦ Packing code: R=Tape & Reel



Ordering Information & Dimensions:

PART NO.	Dimensions			
	A	B	C	D
A1503WR-S-02P	1.50	5.50	1.70	6.90
A1503WR-S-03P	3.00	7.00	3.20	8.40
A1503WR-S-04P	4.50	8.50	4.70	9.90
A1503WR-S-05P	6.00	10.00	6.20	11.40
A1503WR-S-06P	7.50	11.50	7.70	12.90
A1503WR-S-07P	9.00	13.00	9.20	14.40
A1503WR-S-08P	10.50	14.50	10.70	15.90
A1503WR-S-09P	12.00	16.00	12.20	17.40
A1503WR-S-10P	13.50	17.50	13.70	18.90
A1503WR-S-11P	15.00	19.00	15.20	20.40
A1503WR-S-12P	16.50	20.50	16.70	21.90
A1503WR-S-13P	18.00	22.00	18.20	23.40
A1503WR-S-14P	19.50	23.50	19.70	24.90
A1503WR-S-15P	21.00	25.00	21.20	26.40

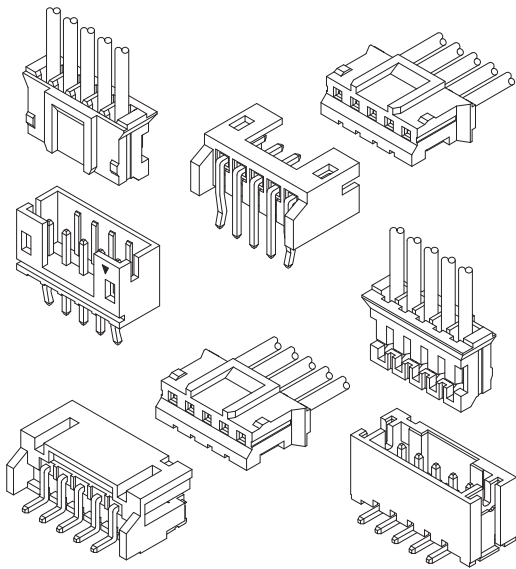
Unit:mm

A
B
C
F
ST
HRJ
DC

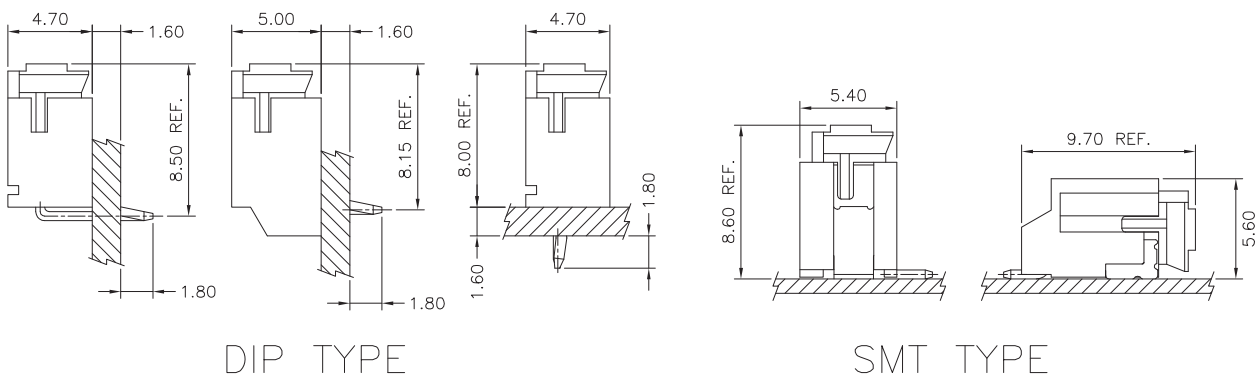
Specifications

Current rating: 2A AC,DC
 Voltage rating: 100V AC,DC
 Temperature range: -25°C ~ +85°C
 Contact resistance: 10mΩ Max.
 Insulation resistance: 1000MΩ Min.
 Withstanding voltage: 800V AC/minute

Standards



Assembly layout



Ordering code

① ② ③ ④
A2001-T P E

- ① Series No.
- ② Plating code: T=Tin-plated, G=Gold-flash
- ③ Material: P=Phosphor bronze
- ④ E=Stamping before plating

① ② ③
A2001 H-05P

- ① Series No.
- ② H=Housing
- ③ No. of circuits

① ② ③ ④ ⑤ ⑥
A2001 WV R -S-05P D01

- ① Series No.
- ② Connector type: WV=Vertical, WR=Right angle
- ③ Blank=Normal type
R=Right angle type
- ④ Mounting type: Blank=Through hole
-S=SMT
- ⑤ No. of circuits
- ⑥ Option code:
1=Type 1, 2=Type 2, 3=Type 3(Through hole only)
D01=Gold-flash, Taping reel(SMT type only)

A2001 SERIES

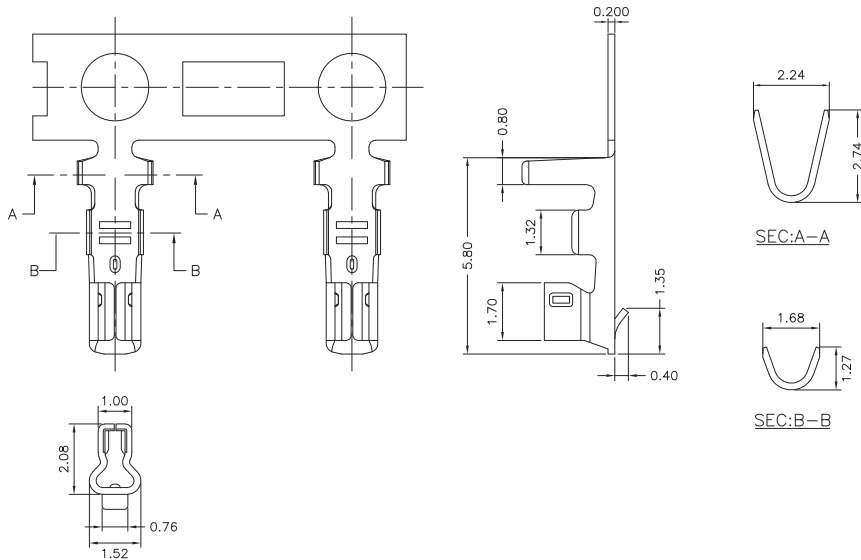
2.00mm pitch wire to board connector

A2001-T

2.00mm pitch Crimp Terminal

Reference Informations:

*Used in A2001 series Housing



A
B
C
F
ST
HRJ
DC

Ordering Information & Specifications:

Unit:mm

Part No.	Wire Range	Insulation O.D.	Material	Finish	Qty/reel
A2001-TPE	AWG#24-#30	1.50mm(max)	Phosphor Bronze	Tin-plated	10,000pcs
A2001-GPE	AWG#24-#30	1.50mm(max)	Phosphor Bronze	Gold-flash	10,000pcs

Note:E-Stamping before Tin-plated or Gold-flash

A2001H

2.00mm pitch Housing

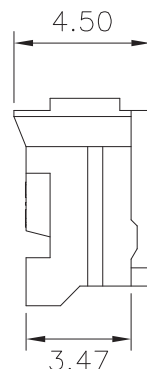
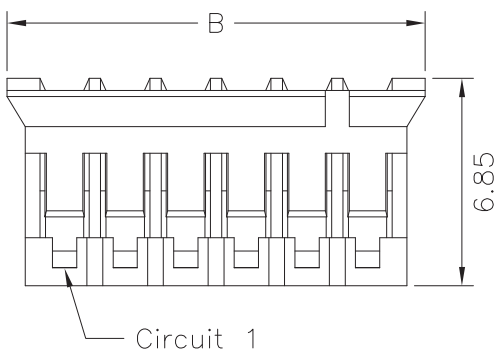
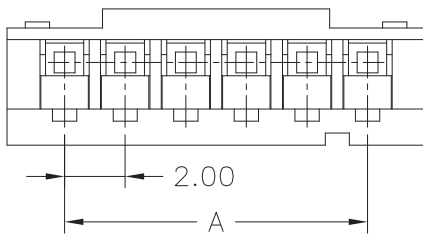
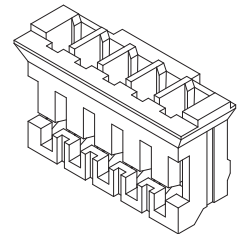
Reference Informations:

*Material: Nylon 66,UL94V-0

*Suitable A2001 series Terminal

*Mates with A2001 series Wafer

A2001H-05P		N	Q	W	NP	N	00	G
		①	②	③	④	⑤	⑥	⑦
①	N=Halogen Free							
②	Material: 0=Nylon 66-V0							
③	Color: W=White							
④	Plating code: NP=Non-plating							
⑤	Plating code: N=Non-plating							
⑥	Option code: 00=Standard							
⑦	Packing code: G=Bag							



Ordering Information & Dimensions:

PART NO.	Dimensions	
	A	B
A2001H-02P	2.00	5.80
A2001H-03P	4.00	7.80
A2001H-04P	6.00	9.80
A2001H-05P	8.00	11.80
A2001H-06P	10.00	13.80
A2001H-07P	12.00	15.80
A2001H-08P	14.00	17.80
A2001H-09P	16.00	19.80
A2001H-10P	18.00	21.80
A2001H-11P	20.00	23.80
A2001H-12P	22.00	25.80
A2001H-13P	24.00	27.80
A2001H-14P	26.00	29.80
A2001H-15P	28.00	31.80
A2001H-16P	30.00	33.80
A2001H-17P	32.00	35.80
A2001H-18P	34.00	37.80

Unit:mm

A2001 SERIES

2.00mm pitch wire to board connector

A2001WV

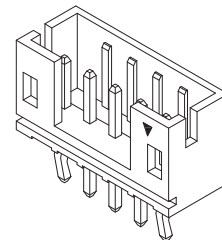
2.00mm pitch 180° Wafer

Reference Informations:

- *Material: Pin: Brass/Tin-plated
Wafer: Nylon 66,UL94V-0
- *Mates with A2001 series Housing
- *Nylon 6T or Nylon 46 is available

	A2001WV-05P	N	0	W	T1	N	K0	G
		①	②	③	④	⑤	⑥	⑦

① N=Halogen Free
② Material: 0=Nylon 66-V0, 6=Nylon 6T
③ Color: W=White, B=Black
④ Plating code: T1=Tin-plated, G1=Gold-flash
⑤ Plating code: N=Non-plating
⑥ Option code: K0=With pin kink, 00=Without pin kink
⑦ Packing code: G=Bag



Ordering Information:

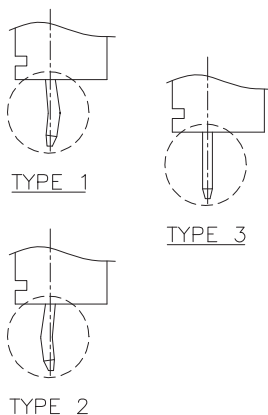
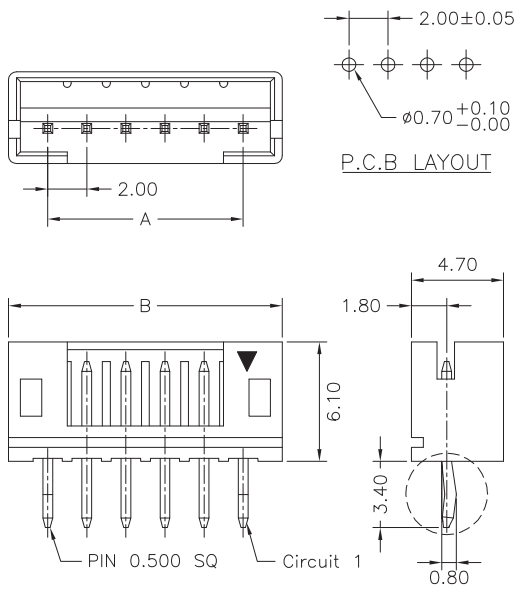
A2001WV-XP *
1 2

- 1.Part No.
2.Style:
1-Type 1
2-Type 2
3-Type 3

Ordering Information & Dimensions:

PART NO.	Dimensions	
	A	B
A2001WV-02P	2.00	6.00
A2001WV-03P	4.00	8.00
A2001WV-04P	6.00	10.00
A2001WV-05P	8.00	12.00
A2001WV-06P	10.00	14.00
A2001WV-07P	12.00	16.00
A2001WV-08P	14.00	18.00
A2001WV-09P	16.00	20.00
A2001WV-10P	18.00	22.00
A2001WV-11P	20.00	24.00
A2001WV-12P	22.00	26.00
A2001WV-13P	24.00	28.00
A2001WV-14P	26.00	30.00
A2001WV-15P	28.00	32.00
A2001WV-16P	30.00	34.00
A2001WV-17P	32.00	36.00
A2001WV-18P	34.00	38.00

Unit:mm



A2001WR

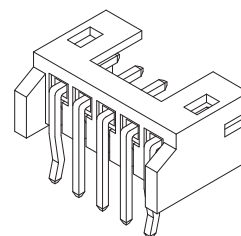
2.00mm pitch 90° Wafer

Reference Informations:

- *Material: Pin: Brass/Tin-plated
Wafer: Nylon 66,UL94V-0
- *Mates with A2001 series Housing
- *Nylon 6T or Nylon 46 is available

	A2001WR-05P	N	0	W	T1	N	K0	G
		①	②	③	④	⑤	⑥	⑦

① N=Halogen Free
② Material: 0=Nylon 66-V0, 6=Nylon 6T
③ Color: W=White, B=Black
④ Plating code: T1=Tin-plated, G1=Gold-flash
⑤ Plating code: N=Non-plating
⑥ Option code: K0=With pin kink, 00=Without pin kink
⑦ Packing code: G=Bag



Ordering Information:

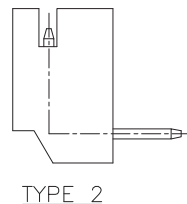
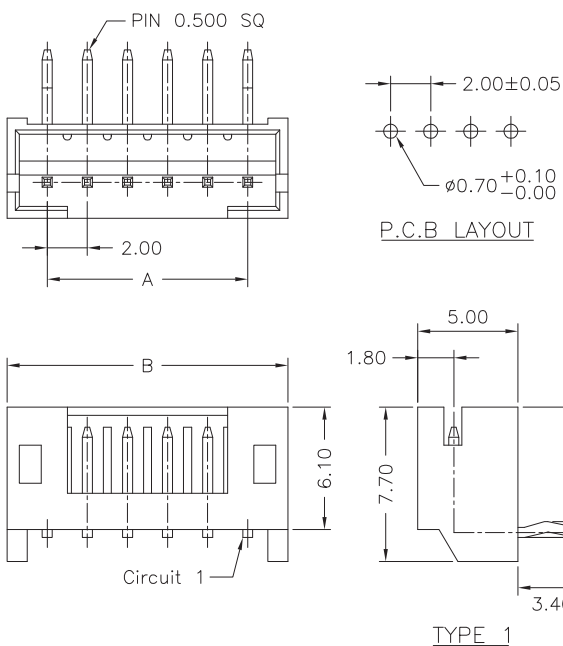
A2001WR-XP *
1 2

- 1.Part No.
2.Style:
1-Type 1
2-Type 2

Ordering Information & Dimensions:

PART NO.	Dimensions	
	A	B
A2001WR-02P	2.00	6.00
A2001WR-03P	4.00	8.00
A2001WR-04P	6.00	10.00
A2001WR-05P	8.00	12.00
A2001WR-06P	10.00	14.00
A2001WR-07P	12.00	16.00
A2001WR-08P	14.00	18.00
A2001WR-09P	16.00	20.00
A2001WR-10P	18.00	22.00
A2001WR-11P	20.00	24.00
A2001WR-12P	22.00	26.00
A2001WR-13P	24.00	28.00
A2001WR-14P	26.00	30.00
A2001WR-15P	28.00	32.00
A2001WR-16P	30.00	34.00
A2001WR-17P	32.00	36.00
A2001WR-18P	34.00	38.00

Unit:mm



A2001 SERIES

2.00mm pitch wire to board connector

A2001WV-S

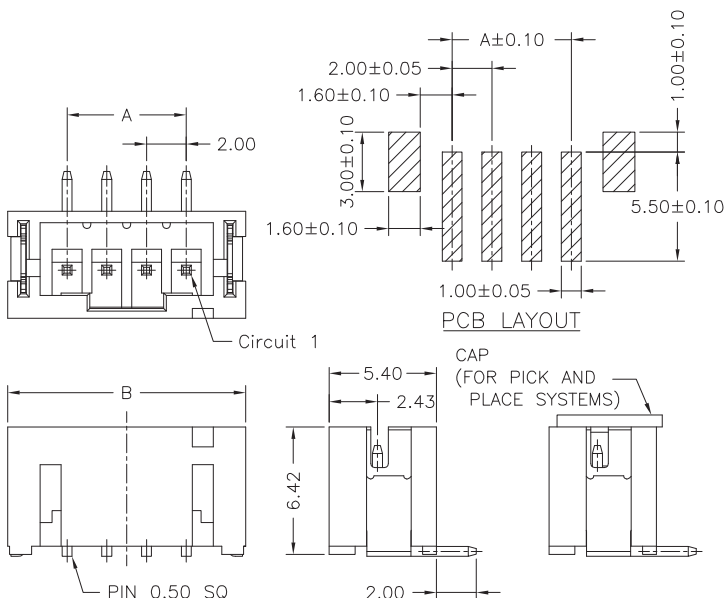
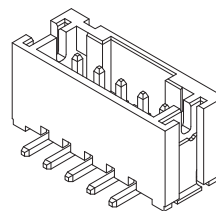
—2.00mm pitch 180° Wafer - SMT TYPE—

Reference Informations:

- *Material: Pin: Brass/Gold-flash
- Solder Tabs: Brass/Gold-flash
- Wafer: Nylon 6T,UL94V-0
- Cap: Nylon 6T,UL94V-0
- *Mates with A2001 series Housing

	A2001WV-S-05P	N	6	B	G1	G	00	L
		①	②	③	④	⑤	⑥	⑦

① N=Halogen Free
 ② Material: 6=Nylon 6T
 ③ Color: B=Black
 ④ Plating code: G1=Gold-flash
 ⑤ Plating code: G=Gold-flash
 ⑥ Option code: 00=Standard
 ⑦ Packing code: L=Tape & Reel(With Cap)



Ordering Information & Dimensions:

PART NO.	Dimensions	
	A	B
A2001WV-S-02PD01	2.00	8.00
A2001WV-S-03PD01	4.00	10.00
A2001WV-S-04PD01	6.00	12.00
A2001WV-S-05PD01	8.00	14.00
A2001WV-S-06PD01	10.00	16.00
A2001WV-S-07PD01	12.00	18.00
A2001WV-S-08PD01	14.00	20.00
A2001WV-S-09PD01	16.00	22.00
A2001WV-S-10PD01	18.00	24.00
A2001WV-S-11PD01	20.00	26.00
A2001WV-S-12PD01	22.00	28.00
A2001WV-S-13PD01	24.00	30.00
A2001WV-S-14PD01	26.00	32.00
A2001WV-S-15PD01	28.00	34.00
A2001WV-S-16PD01	30.00	36.00

Unit:mm

A
B
C
F
ST
HRJ
DC

A2001WR-S

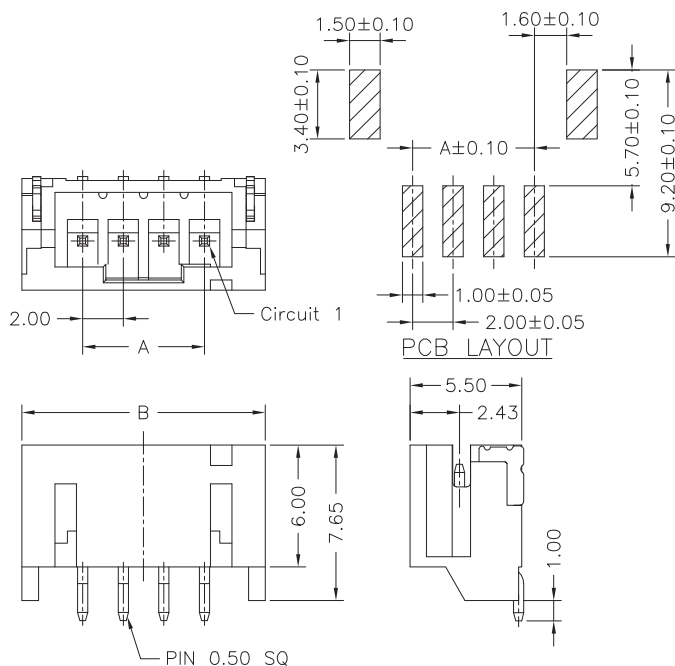
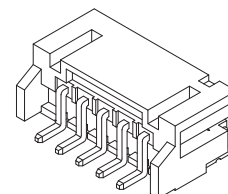
—2.00mm pitch 90° Wafer - SMT TYPE—

Reference Informations:

- *Material: Pin: Brass/Gold-flash
- Solder Tabs: Brass/Gold-flash
- Wafer: Nylon 6T,UL94V-0
- *Mates with A2001 series Housing

	A2001WR-S-05P	N	6	B	G1	G	00	R
		①	②	③	④	⑤	⑥	⑦

① N=Halogen Free
 ② Material: 6=Nylon 6T
 ③ Color: B=Black
 ④ Plating code: G1=Gold-flash
 ⑤ Plating code: G=Gold-flash
 ⑥ Option code: 00=Standard
 ⑦ Packing code: R=Tape & Reel



Ordering Information & Dimensions:

PART NO.	Dimensions	
	A	B
A2001WR-S-02PD01	2.00	8.00
A2001WR-S-03PD01	4.00	10.00
A2001WR-S-04PD01	6.00	12.00
A2001WR-S-05PD01	8.00	14.00
A2001WR-S-06PD01	10.00	16.00
A2001WR-S-07PD01	12.00	18.00
A2001WR-S-08PD01	14.00	20.00
A2001WR-S-09PD01	16.00	22.00
A2001WR-S-10PD01	18.00	24.00
A2001WR-S-11PD01	20.00	26.00
A2001WR-S-12PD01	22.00	28.00
A2001WR-S-13PD01	24.00	30.00
A2001WR-S-14PD01	26.00	32.00
A2001WR-S-15PD01	28.00	34.00
A2001WR-S-16PD01	30.00	36.00

Unit:mm

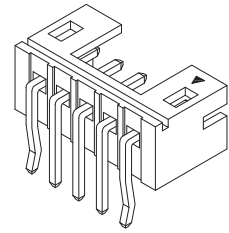
A2001WVR

—2.00mm pitch 90° Wafer—

Reference Informations:

- *Material: Pin: Brass/Tin-plated
Wafer: Nylon 66,UL94V-0
- *Mates with A2001 series Housing
- *Nylon 6T or Nylon 46 is available

	A2001WVR-05P N 0 W T1 N K0 G						
	①	②	③	④	⑤	⑥	⑦
① N=Halogen Free ② Material: 0=Nylon 66-V0, 6=Nylon 6T ③ Color: W=White, B=Black ④ Plating code: T1=Tin-plated, G1=Gold-flash ⑤ Plating code: N=Non-plating ⑥ Option code: K0=With pin kink, 00=Without pin kink ⑦ Packing code: G=Bag							



Ordering Information:

A2001WVR-XP *

1 2

1.Part No.

2.Style:

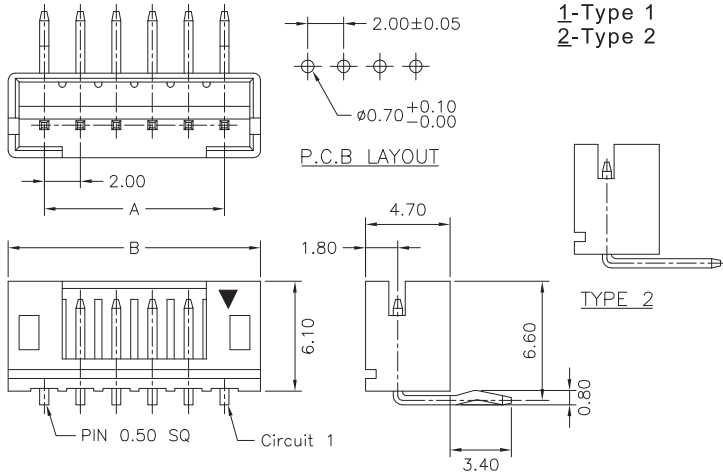
1-Type 1

2-Type 2

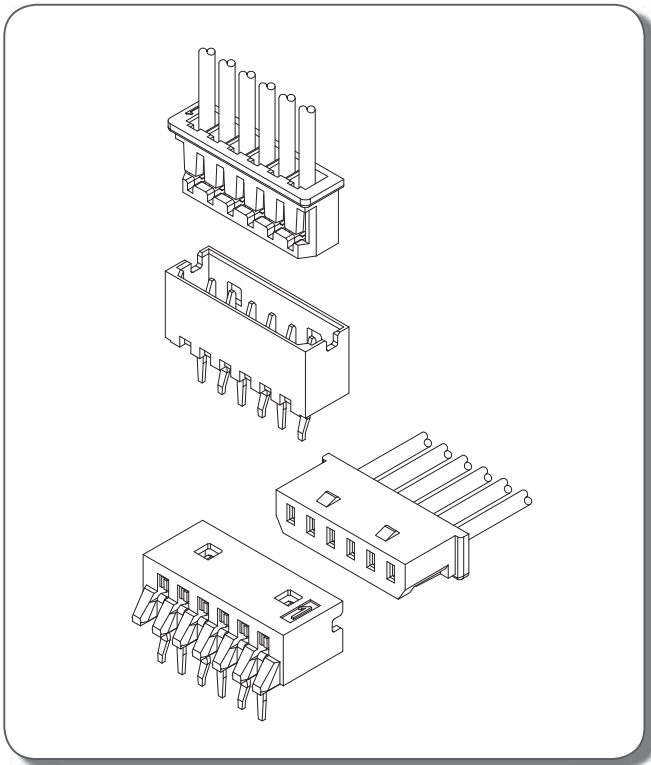
Ordering Information & Dimensions:

PART NO.	Dimensions	
	A	B
A2001WVR-02P	2.00	6.00
A2001WVR-03P	4.00	8.00
A2001WVR-04P	6.00	10.00
A2001WVR-05P	8.00	12.00
A2001WVR-06P	10.00	14.00
A2001WVR-07P	12.00	16.00
A2001WVR-08P	14.00	18.00
A2001WVR-09P	16.00	20.00
A2001WVR-10P	18.00	22.00
A2001WVR-11P	20.00	24.00
A2001WVR-12P	22.00	26.00
A2001WVR-13P	24.00	28.00
A2001WVR-14P	26.00	30.00
A2001WVR-15P	28.00	32.00
A2001WVR-16P	30.00	34.00
A2001WVR-17P	32.00	36.00
A2001WVR-18P	34.00	38.00

Unit:mm



A
B
C
F
ST
HRJ
DC

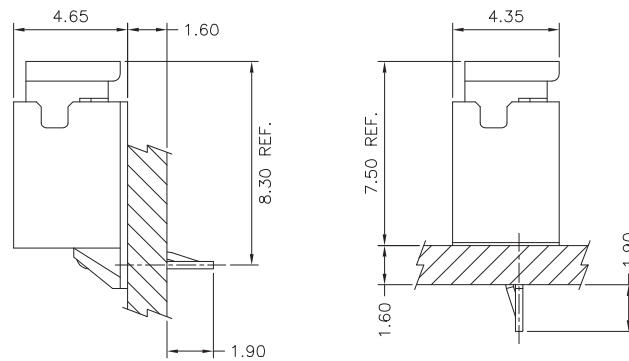


Specifications

Current rating: 2A AC,DC
 Voltage rating: 125V AC,DC
 Temperature range: -25°C ~ +85°C
 Contact resistance: 20mΩ Max.
 Insulation resistance: 1000MΩ Min.
 Withstanding voltage: 800V AC/minute

A
B
C
F
ST
HRJ
DC

Assembly layout



Ordering code

① ② ③ ④
A2002-T P E

- ① Series No.
- ② Plating code: T=Tin-plated
- ③ Material: P=Phosphor bronze
- ④ E=Stamping before plating

① ② ③ ④
A2002 WV-05P BK

- ① Series No.
- ② Connector type: WV=Vertical, WR=Right angle
- ③ No. of circuits
- ④ Option code: BK=Black

① ② ③ ④
A2002 H-05P -BK

- ① Series No.
- ② H=Housing
- ③ No. of circuits
- ④ Option code: -BK=Black

A2002 SERIES

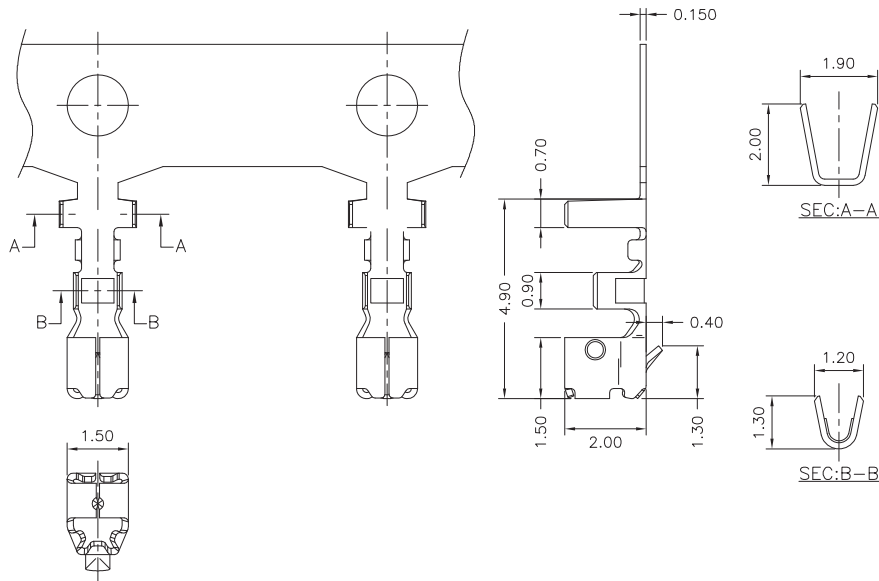
2.00mm pitch wire to board connector

A2002-T

—2.00mm pitch Crimp Terminal—

Reference Informations:

*Used in A2002 series Housing



Ordering Information & Specifications:

Unit:mm

Part No.	Wire Range	Insulation O.D.	Material	Finish	Qty/reel
A2002-TPE	AWG#24-#30	1.40mm(max)	Phosphor Bronze	Tin-plated	10,000pcs

Note:E-Stamping before Tin-plated

A2002H

—2.00mm pitch Housing—

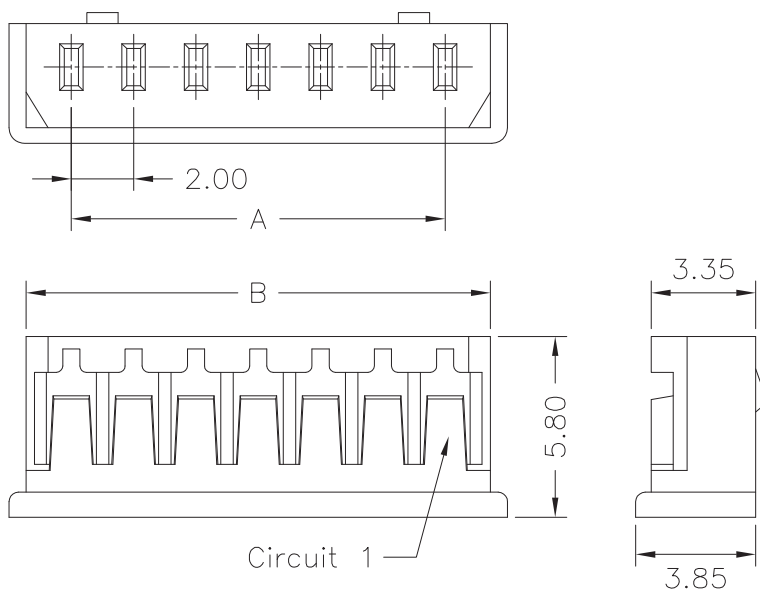
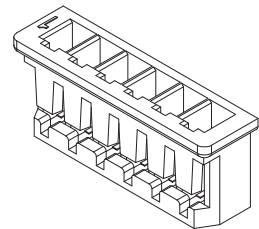
Reference Informations:

*Material: Nylon 66,UL94V-0

*Suitable A2002 series Terminal

*Mates with A2002 series Wafer

A2002H-05P		N	Q	W	NP	N	00	G
		①	②	③	④	⑤	⑥	⑦
① N=Halogen Free								
② Material: 0=Nylon 66-V0								
③ Color: W=White, B=Black								
④ Plating code: NP=Non-plating								
⑤ Plating code: N=Non-plating								
⑥ Option code: 00=Standard								
⑦ Packing code: G=Bag								



Ordering Information & Dimensions:

PART NO.	Dimensions	
	A	B
A2002H-02P	2.00	4.90
A2002H-03P	4.00	6.90
A2002H-04P	6.00	8.90
A2002H-05P	8.00	10.90
A2002H-06P	10.00	12.90
A2002H-07P	12.00	14.90
A2002H-08P	14.00	16.90
A2002H-09P	16.00	18.90
A2002H-10P	18.00	20.90
A2002H-11P	20.00	22.90
A2002H-12P	22.00	24.90
A2002H-13P	24.00	26.90
A2002H-14P	26.00	28.90
A2002H-15P	28.00	30.90

Unit:mm

A2002 SERIES

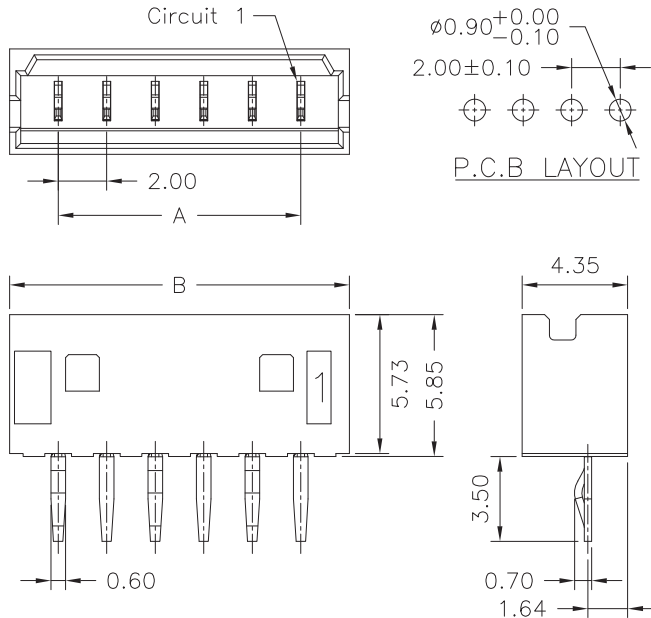
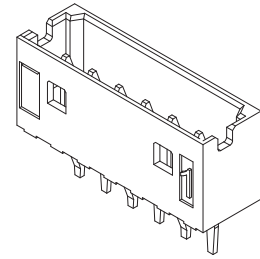
2.00mm pitch wire to board connector

A2002WV

2.00mm pitch 180° Wafer

Reference Informations:

- *Material: Pin: Phosphor Bronze/Tin-plated
Wafer: Nylon 66,UL94V-0
- *Mates with A2002 series Housing



Ordering Information & Dimensions:

PART NO.	Dimensions	
	A	B
A2002WV-02P	2.00	6.00
A2002WV-03P	4.00	8.00
A2002WV-04P	6.00	10.00
A2002WV-05P	8.00	12.00
A2002WV-06P	10.00	14.00
A2002WV-07P	12.00	16.00
A2002WV-08P	14.00	18.00
A2002WV-09P	16.00	20.00
A2002WV-10P	18.00	22.00
A2002WV-11P	20.00	24.00
A2002WV-12P	22.00	26.00
A2002WV-13P	24.00	28.00
A2002WV-14P	26.00	30.00
A2002WV-15P	28.00	32.00

Unit:mm

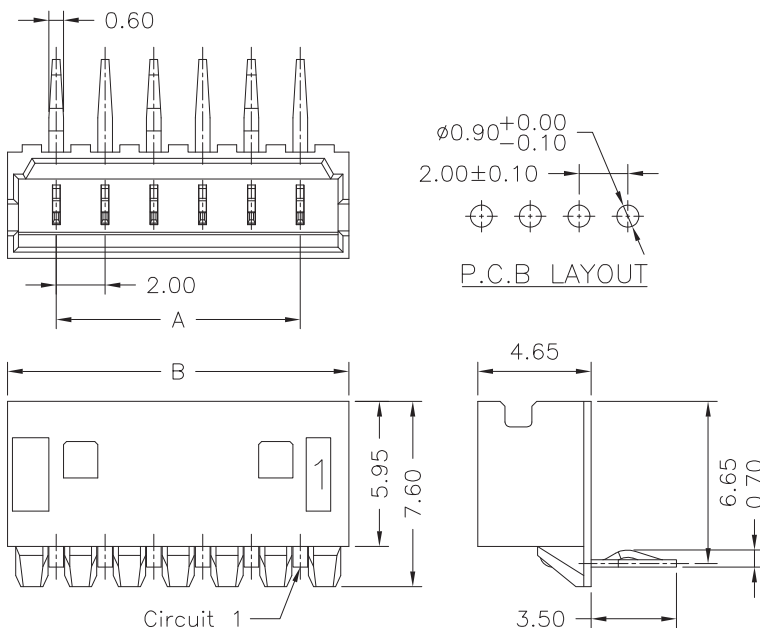
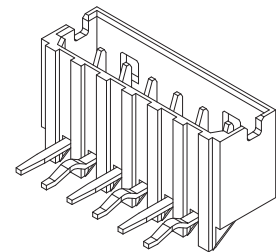
A
B
C
F
ST
HRJ
DC

A2002WR

2.00mm pitch 90° Wafer

Reference Informations:

- *Material: Pin: Phosphor Bronze/Tin-plated
Wafer: Nylon 66,UL94V-0
- *Mates with A2002 series Housing

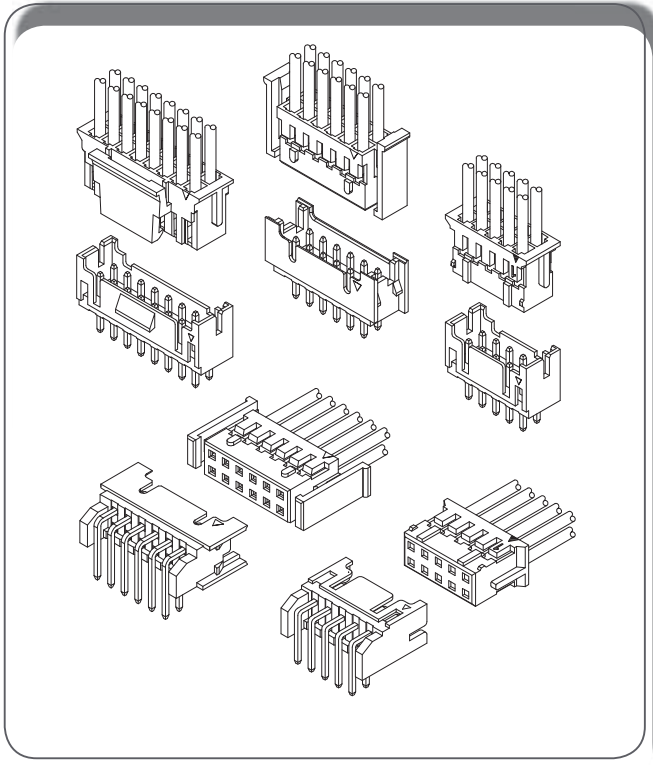


Ordering Information & Dimensions:

PART NO.	Dimensions	
	A	B
A2002WR-02P	2.00	6.00
A2002WR-03P	4.00	8.00
A2002WR-04P	6.00	10.00
A2002WR-05P	8.00	12.00
A2002WR-06P	10.00	14.00
A2002WR-07P	12.00	16.00
A2002WR-08P	14.00	18.00
A2002WR-09P	16.00	20.00
A2002WR-10P	18.00	22.00
A2002WR-11P	20.00	24.00
A2002WR-12P	22.00	26.00
A2002WR-13P	24.00	28.00
A2002WR-14P	26.00	30.00
A2002WR-15P	28.00	32.00

Unit:mm

A
B
C
F
ST
HRJ
DC

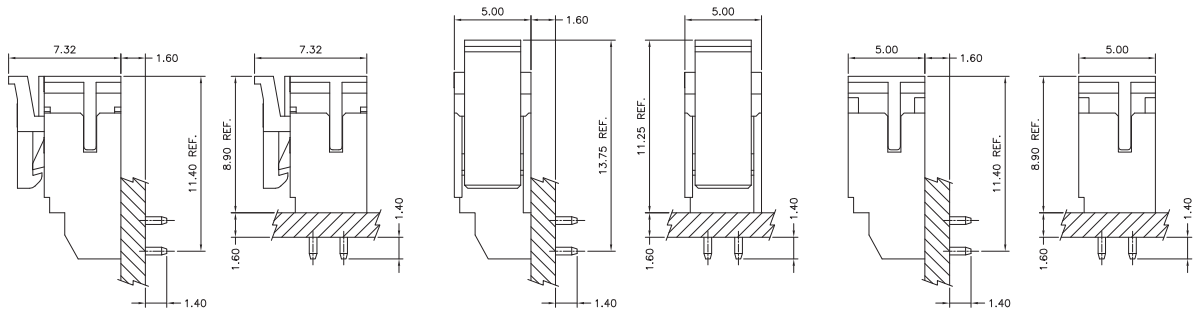


Specifications

- Current rating: 3A AC,DC
- Voltage rating: 250V AC,DC
- Temperature range: -25°C ~ +85°C
- Contact resistance: 10mΩ Max.
- Insulation resistance: 1000MΩ Min.
- Withstanding voltage: 800V AC/minute

Standards

Assembly layout



Ordering code

① ② ③ ④ ⑤
A2004-T P E -LB

- ① Series No.
- ② Plating code: T=Tin-plated, G=Gold-flash
- ③ Material: P=Phosphor bronze
- ④ E=Stamping before plating
- ⑤ Option code: (Refer to drawings)

① ② ③ ④ ⑤ ⑥
A2004 WV B-2X 05P Y01

- ① Series No.
- ② Connector type: WV=Vertical, WR=Right angle
- ③ Blank=Normal type, A=A type, B=B type
- ④ 2X=Dual row
- ⑤ No. of circuits
- ⑥ Option code: (Refer to drawings)

① ② ③ ④ ⑤ ⑥
A2004 H B-2X 10P -1

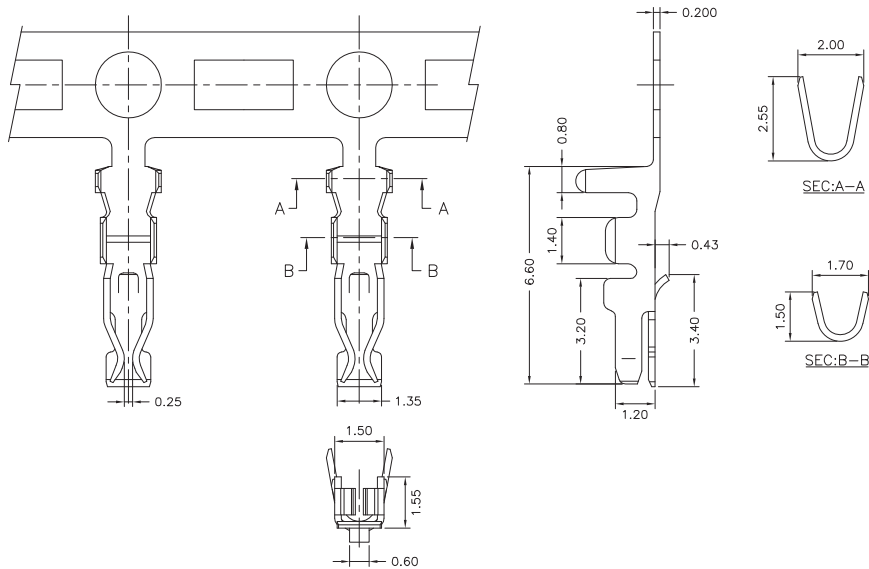
- ① Series No.
- ② H=Housing
- ③ Blank=Normal type, A=A type, B=B type
- ④ 2X=Dual row
- ⑤ No. of circuits
- ⑥ Option code: (Refer to drawings)

A2004-T

2.00mm pitch Crimp Terminal

Reference Informations:

*Used in A2004H,A2004HA series dual row Housing



A
B
C
F
ST
HRJ
DC

Ordering Information & Specifications:

Unit:mm

Part No.	Wire Range	Insulation O.D.	Material	Finish	Qty/reel
A2004-TPE	AWG#22-#28	1.50mm(max)	Phosphor Bronze	Tin-plated	10,000pcs
A2004-GPE	AWG#22-#28	1.50mm(max)	Phosphor Bronze	Gold-flash	10,000pcs

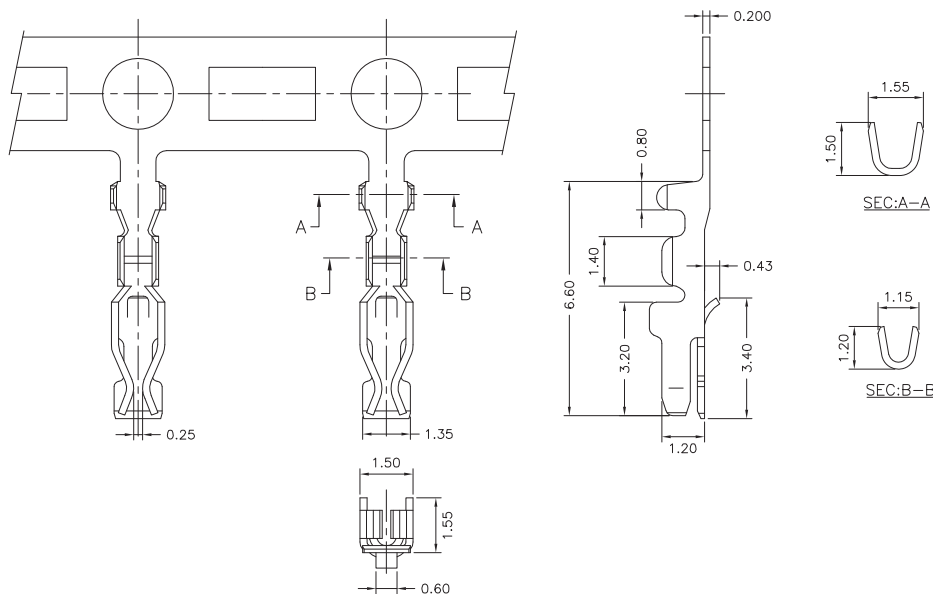
Note:E-Stamping before Tin-plated or Gold-flash

A2004-T

2.00mm pitch Crimp Terminal

Reference Informations:

*Used in A2004H,A2004HA series dual row Housing



Ordering Information & Specifications:

Unit:mm

Part No.	Wire Range	Insulation O.D.	Material	Finish	Qty/reel
A2004-TPE-L	AWG#28-#32	0.90mm(max)	Phosphor Bronze	Tin-plated	10,000pcs

Note:E-Stamping before Tin-plated

A2004 SERIES

2.00mm pitch wire to board connector

A2004H-2

2.00mm pitch Dual Row Housing

Reference Informations:

- *Material: Nylon 66,UL94V-0
- *Suitable A2004 series Terminal
- *Mates with A2004WV,A2004WR series dual row Wafer

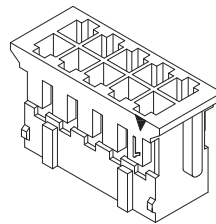
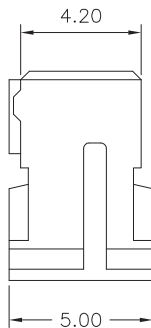
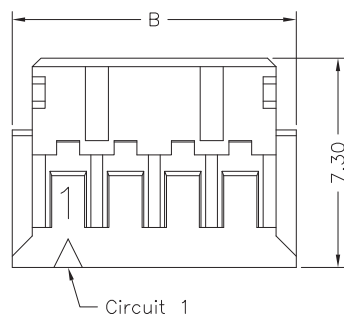
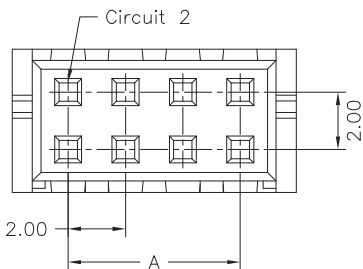
Ordering Information & Dimensions:

PART NO.	Dimensions	
	A	B
A2004H-2X02P	2.00	5.90
A2004H-2X03P	4.00	7.90
A2004H-2X04P	6.00	9.90
A2004H-2X05P	8.00	11.90
A2004H-2X06P	10.00	13.90
A2004H-2X07P	12.00	15.90
A2004H-2X08P	14.00	17.90
A2004H-2X09P	16.00	19.90
A2004H-2X10P	18.00	21.90
A2004H-2X11P	20.00	23.90
A2004H-2X12P	22.00	25.90
A2004H-2X13P	24.00	27.90
A2004H-2X14P	26.00	29.90
A2004H-2X15P	28.00	31.90
A2004H-2X16P	30.00	33.90
A2004H-2X17P	32.00	35.90
A2004H-2X18P	34.00	37.90
A2004H-2X19P	36.00	39.90
A2004H-2X20P	38.00	41.90
A2004H-2X21P	40.00	43.90
A2004H-2X22P	42.00	45.90
A2004H-2X23P	44.00	47.90
A2004H-2X24P	46.00	49.90

Unit:mm

A2004H-2X05P	N	0	W	NP	N	00	G
①	②	③	④	⑤	⑥	⑦	

- ① N=Halogen Free
- ② Material: 0=Nylon 66-V0
- ③ Color: W=White
- ④ Plating code: NP=Non-plating
- ⑤ Plating code: N=Non-plating
- ⑥ Option code: 00=Standard
- ⑦ Packing code: G=Bag



A2004WV-2

2.00mm pitch 180° Dual Row Wafer

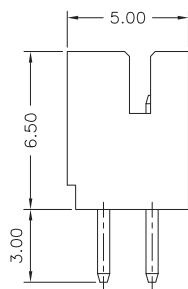
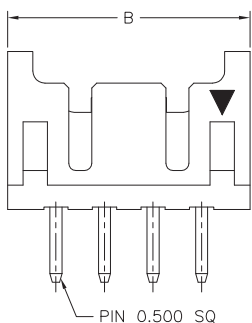
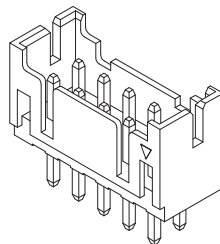
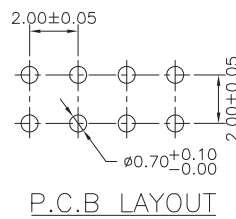
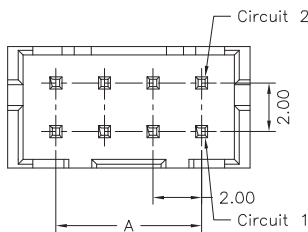
Reference Informations:

- *Material: Pin: Brass/Tin-plated
Wafer: Nylon 66,UL94V-0
- *Mates with A2004H series dual row Housing
- *Solder-tail Length 2.00mm or 2.50mm is available
- *Nylon 46 is available

Ordering Information & Dimensions:

PART NO.	Dimensions	
	A	B
A2004WV-2X02P	2.00	6.00
A2004WV-2X03P	4.00	8.00
A2004WV-2X04P	6.00	10.00
A2004WV-2X05P	8.00	12.00
A2004WV-2X06P	10.00	14.00
A2004WV-2X07P	12.00	16.00
A2004WV-2X08P	14.00	18.00
A2004WV-2X09P	16.00	20.00
A2004WV-2X10P	18.00	22.00
A2004WV-2X11P	20.00	24.00
A2004WV-2X12P	22.00	26.00
A2004WV-2X13P	24.00	28.00
A2004WV-2X14P	26.00	30.00
A2004WV-2X15P	28.00	32.00
A2004WV-2X16P	30.00	34.00
A2004WV-2X17P	32.00	36.00
A2004WV-2X18P	34.00	38.00
A2004WV-2X19P	36.00	40.00
A2004WV-2X20P	38.00	42.00
A2004WV-2X21P	40.00	44.00
A2004WV-2X22P	42.00	46.00
A2004WV-2X23P	44.00	48.00
A2004WV-2X24P	46.00	50.00

Unit:mm



A2004 SERIES

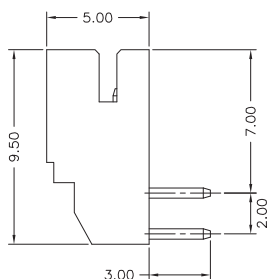
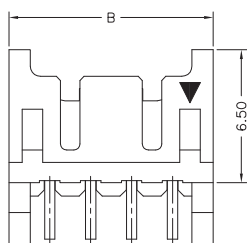
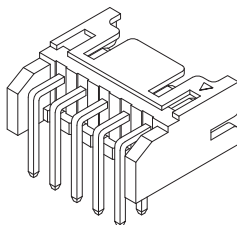
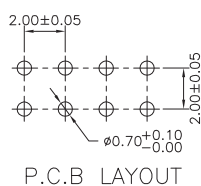
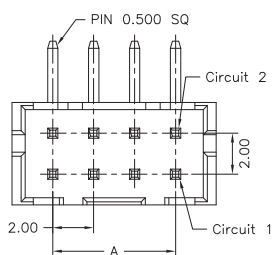
2.00mm pitch wire to board connector

A2004WR-2

2.00mm pitch 90° Dual Row Wafer

Reference Informations:

- *Material: Pin: Brass/Tin-plated
Wafer: Nylon 66,UL94V-0
- *Mates with A2004H series dual row Housing
- *Soldertail Length 2.00mm or 2.50mm is available
- *Nylon 46 is available



Ordering Information & Dimensions:

PART NO.	Dimensions	
	A	B
A2004WR-2X02P	2.00	6.00
A2004WR-2X03P	4.00	8.00
A2004WR-2X04P	6.00	10.00
A2004WR-2X05P	8.00	12.00
A2004WR-2X06P	10.00	14.00
A2004WR-2X07P	12.00	16.00
A2004WR-2X08P	14.00	18.00
A2004WR-2X09P	16.00	20.00
A2004WR-2X10P	18.00	22.00
A2004WR-2X11P	20.00	24.00
A2004WR-2X12P	22.00	26.00
A2004WR-2X13P	24.00	28.00
A2004WR-2X14P	26.00	30.00
A2004WR-2X15P	28.00	32.00
A2004WR-2X16P	30.00	34.00
A2004WR-2X17P	32.00	36.00
A2004WR-2X18P	34.00	38.00
A2004WR-2X19P	36.00	40.00
A2004WR-2X20P	38.00	42.00

Unit:mm

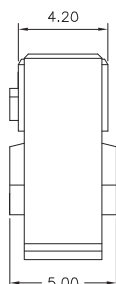
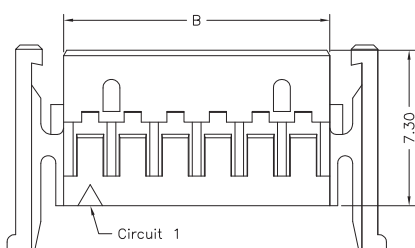
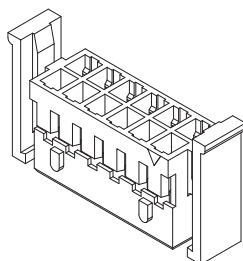
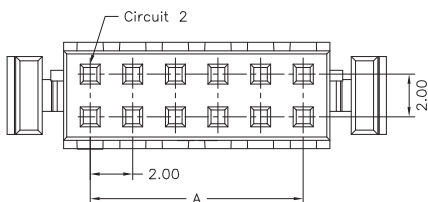
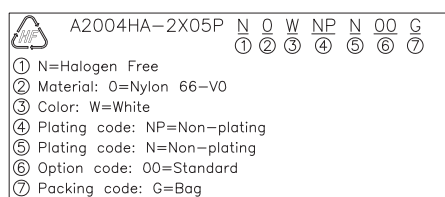
A
B
C
F
ST
HRJ
DC

A2004HA-2

2.00mm pitch Dual Row Housing

Reference Informations:

- *Material: Nylon 66,UL94V-0
- *Suitable A2004 series Terminal
- *Mates with A2004WVA,A2004WRA series dual row Wafer



Ordering Information & Dimensions:

PART NO.	Dimensions	
	A	B
A2004HA-2X02P	2.00	4.50
A2004HA-2X03P	4.00	6.50
A2004HA-2X04P	6.00	8.50
A2004HA-2X05P	8.00	10.50
A2004HA-2X06P	10.00	12.50
A2004HA-2X07P	12.00	14.50
A2004HA-2X08P	14.00	16.50
A2004HA-2X09P	16.00	18.50
A2004HA-2X10P	18.00	20.50
A2004HA-2X11P	20.00	22.50
A2004HA-2X12P	22.00	24.50
A2004HA-2X13P	24.00	26.50
A2004HA-2X14P	26.00	28.50
A2004HA-2X15P	28.00	30.50
A2004HA-2X16P	30.00	32.50
A2004HA-2X17P	32.00	34.50
A2004HA-2X18P	34.00	36.50
A2004HA-2X19P	36.00	38.50
A2004HA-2X20P	38.00	40.50
A2004HA-2X22P	42.00	44.50

Unit:mm

A2004 SERIES

2.00mm pitch wire to board connector

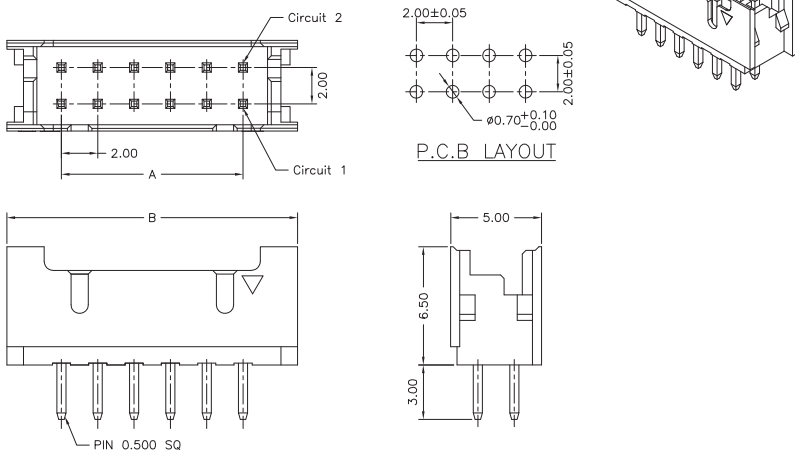
A2004WVA-2

2.00mm pitch 180° Dual Row Wafer

Reference Informations:

- *Material: Pin: Brass/Gold-flash
Wafer: Nylon 6T,UL94V-0
- *Mates with A2004HA series dual row Housing
- *Soldertail Length 2.40mm is available

A2004WVA-2X05P ① N=Halogen Free ② Material: 6=Nylon 6T ③ Color: B=Black ④ Plating code: G1=Gold-flash ⑤ Plating code: N=Non-plating ⑥ Option code: 00=Standard ⑦ Packing code: G=Bag	N	6	B	G1	N	00	G
	①	②	③	④	⑤	⑥	⑦



Ordering Information & Dimensions:

PART NO.	Dimensions	
	A	B
A2004WVA-2X02P	2.00	8.00
A2004WVA-2X03P	4.00	10.00
A2004WVA-2X04P	6.00	12.00
A2004WVA-2X05P	8.00	14.00
A2004WVA-2X06P	10.00	16.00
A2004WVA-2X07P	12.00	18.00
A2004WVA-2X08P	14.00	20.00
A2004WVA-2X09P	16.00	22.00
A2004WVA-2X10P	18.00	24.00
A2004WVA-2X11P	20.00	26.00
A2004WVA-2X12P	22.00	28.00
A2004WVA-2X13P	24.00	30.00
A2004WVA-2X14P	26.00	32.00
A2004WVA-2X15P	28.00	34.00
A2004WVA-2X16P	30.00	36.00
A2004WVA-2X17P	32.00	38.00
A2004WVA-2X18P	34.00	40.00
A2004WVA-2X19P	36.00	42.00
A2004WVA-2X20P	38.00	44.00
A2004WVA-2X22P	42.00	48.00

Unit:mm

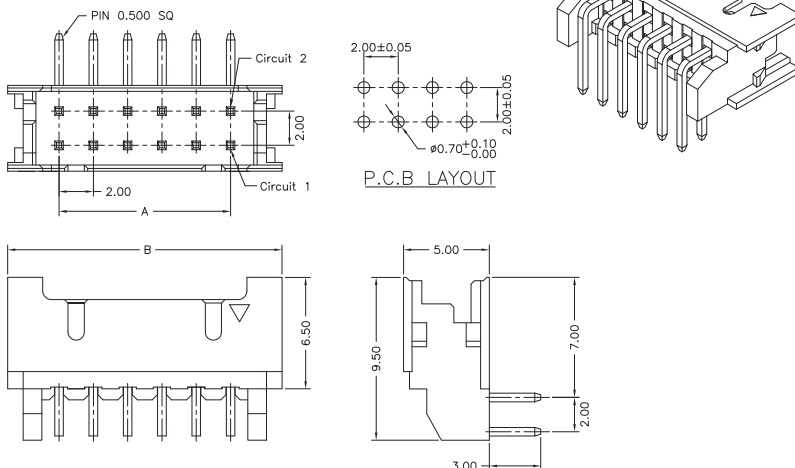
A2004WRA-2

2.00mm pitch 90° Dual Row Wafer

Reference Informations:

- *Material: Pin: Brass/Gold-flash
Wafer: Nylon 6T,UL94V-0
- *Mates with A2004HA series dual row Housing
- *Soldertail Length 2.40mm is available

A2004WRA-2X05P ① N=Halogen Free ② Material: 6=Nylon 6T ③ Color: B=Black ④ Plating code: G1=Gold-flash ⑤ Plating code: N=Non-plating ⑥ Option code: 00=Standard ⑦ Packing code: G=Bag	N	6	B	G1	N	00	G
	①	②	③	④	⑤	⑥	⑦



Ordering Information & Dimensions:

PART NO.	Dimensions	
	A	B
A2004WRA-2X02P	2.00	8.00
A2004WRA-2X03P	4.00	10.00
A2004WRA-2X04P	6.00	12.00
A2004WRA-2X05P	8.00	14.00
A2004WRA-2X06P	10.00	16.00
A2004WRA-2X07P	12.00	18.00
A2004WRA-2X08P	14.00	20.00
A2004WRA-2X09P	16.00	22.00
A2004WRA-2X10P	18.00	24.00
A2004WRA-2X11P	20.00	26.00
A2004WRA-2X12P	22.00	28.00
A2004WRA-2X13P	24.00	30.00
A2004WRA-2X14P	26.00	32.00
A2004WRA-2X15P	28.00	34.00
A2004WRA-2X16P	30.00	36.00
A2004WRA-2X17P	32.00	38.00
A2004WRA-2X18P	34.00	40.00
A2004WRA-2X19P	36.00	42.00
A2004WRA-2X20P	38.00	44.00

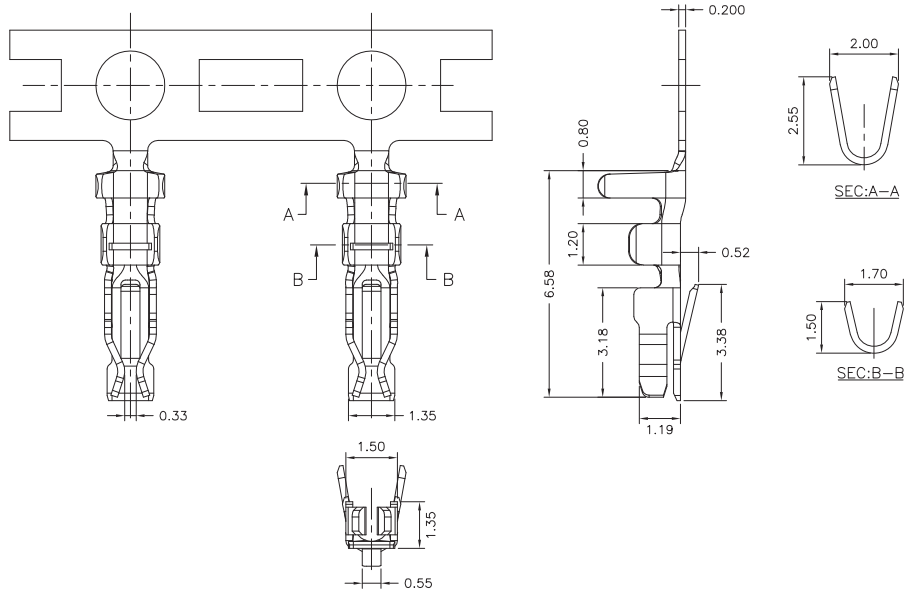
Unit:mm

A2004-T

2.00mm pitch Crimp Terminal - B TYPE

Reference Informations:

*Used in A2004HB series dual row Housing



A
B
C
F
ST
HRJ
DC

Ordering Information & Specifications:

Unit:mm

Part No.	Wire Range	Insulation O.D.	Material	Finish	Qty/reel
A2004-TP-B	AWG#22-#28	1.50mm(max)	Phosphor Bronze	Tin-plated	10,000pcs
A2004-TPE-B	AWG#22-#28	1.50mm(max)	Phosphor Bronze	Tin-plated	10,000pcs

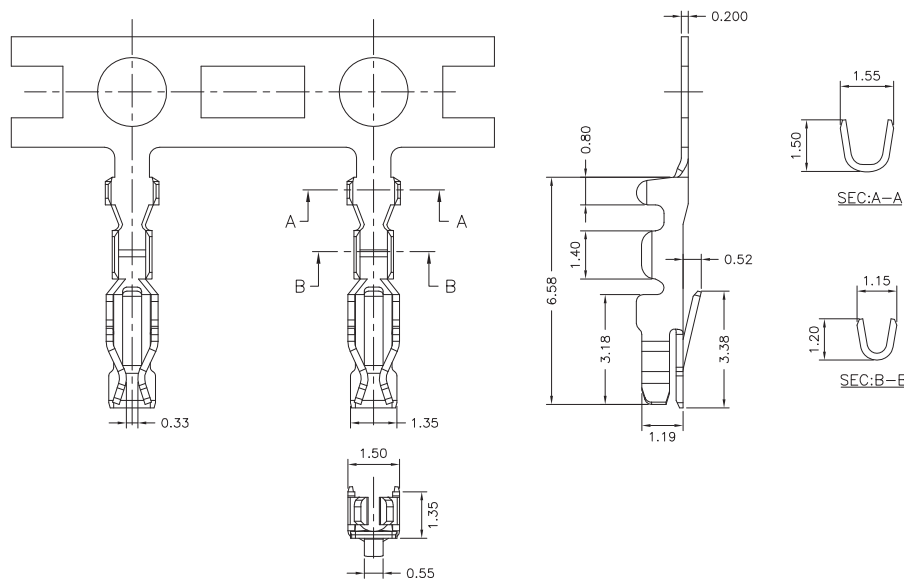
Note:E-Stamping before Tin-plated

A2004-T

2.00mm pitch Crimp Terminal - B TYPE

Reference Informations:

*Used in A2004HB series dual row Housing



Ordering Information & Specifications:

Unit:mm

Part No.	Wire Range	Insulation O.D.	Material	Finish	Qty/reel
A2004-TP-LB	AWG#28-#32	0.90mm(max)	Phosphor Bronze	Tin-plated	10,000pcs
A2004-TPE-LB	AWG#28-#32	0.90mm(max)	Phosphor Bronze	Tin-plated	10,000pcs

Note:E-Stamping before Tin-plated

A2004 SERIES

2.00mm pitch wire to board connector

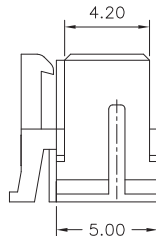
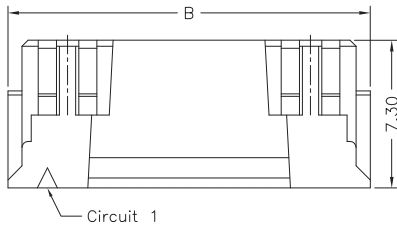
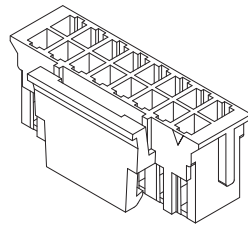
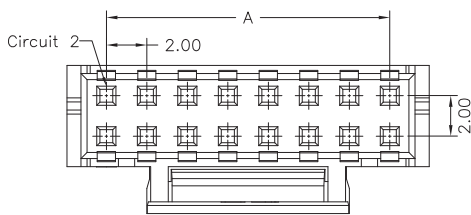
A2004HB-2

2.00mm pitch Dual Row Housing - B TYPE

Reference Informations:

- *Material: Nylon 66,UL94V-0
- *Suitable A2004 series Terminal - B TYPE
- *Mates with A2004WVB,A2004WRB series dual row Wafer

	A2004HB-2X05P						
	N	0	W	NP	N	00	G
	①	②	③	④	⑤	⑥	⑦
①	N=Halogen Free						
②	Material: 0=Nylon 66-V0						
③	Color: W=White						
④	Plating code: NP=Non-plating						
⑤	Plating code: N=Non-plating						
⑥	Option code: 00=Standard						
⑦	Packing code: G=Bag						



Ordering Information & Dimensions:

PART NO.	Dimensions	
	A	B
A2004HB-2X02P	2.00	5.90
A2004HB-2X03P	4.00	7.90
A2004HB-2X04P	6.00	9.90
A2004HB-2X05P	8.00	11.90
A2004HB-2X06P	10.00	13.90
A2004HB-2X07P	12.00	15.90
A2004HB-2X08P	14.00	17.90
A2004HB-2X09P	16.00	19.90
A2004HB-2X10P	18.00	21.90
A2004HB-2X11P	20.00	23.90
A2004HB-2X12P	22.00	25.90
A2004HB-2X13P	24.00	27.90
A2004HB-2X14P	26.00	29.90
A2004HB-2X15P	28.00	31.90
A2004HB-2X16P	30.00	33.90
A2004HB-2X17P	32.00	35.90
A2004HB-2X18P	34.00	37.90
A2004HB-2X19P	36.00	39.90
A2004HB-2X20P	38.00	41.90
A2004HB-2X21P	40.00	43.90
A2004HB-2X22P	42.00	45.90

Unit:mm

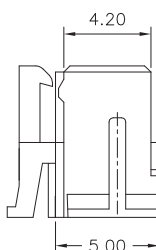
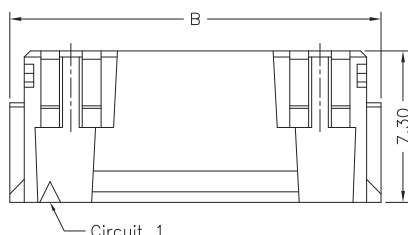
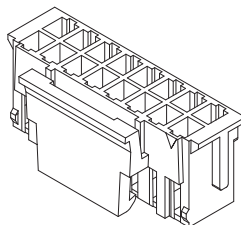
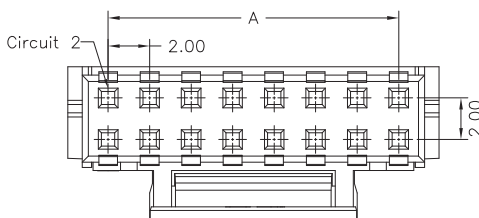
A2004HB-2

2.00mm pitch Dual Row Housing - B TYPE

Reference Informations:

- *Material: Nylon 66,UL94V-0
- *Suitable A2004 series Terminal - B TYPE
- *Mates with A2004WVB,A2004WRB series dual row Wafer

	A2004HB-2X05P						
	N	0	W	NP	N	10	G
	①	②	③	④	⑤	⑥	⑦
①	N=Halogen Free						
②	Material: 0=Nylon 66-V0						
③	Color: W=White						
④	Plating code: NP=Non-plating						
⑤	Plating code: N=Non-plating						
⑥	Option code: 10=Type 1						
⑦	Packing code: G=Bag						



Ordering Information & Dimensions:

PART NO.	Dimensions	
	A	B
A2004HB-2X10P-1	18.00	21.90
A2004HB-2X11P-1	20.00	23.90
A2004HB-2X12P-1	22.00	25.90
A2004HB-2X13P-1	24.00	27.90
A2004HB-2X14P-1	26.00	29.90
A2004HB-2X15P-1	28.00	31.90
A2004HB-2X16P-1	30.00	33.90
A2004HB-2X17P-1	32.00	35.90
A2004HB-2X18P-1	34.00	37.90
A2004HB-2X19P-1	36.00	39.90
A2004HB-2X20P-1	38.00	41.90
A2004HB-2X21P-1	40.00	43.90
A2004HB-2X22P-1	42.00	45.90

Unit:mm

A2004 SERIES

2.00mm pitch wire to board connector

A2004WVB-2

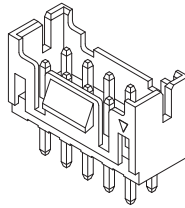
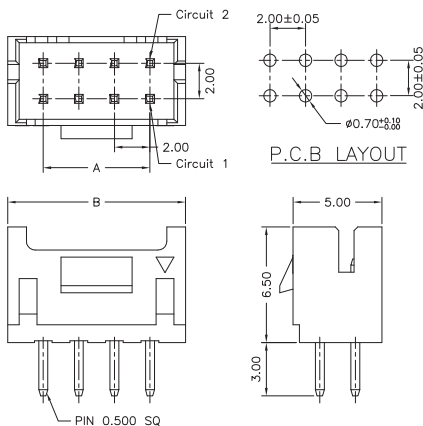
2.00mm pitch 180° Dual Row Wafer - B TYPE

Reference Informations:

- *Material: Pin: Brass/Tin-plated
Wafer: Nylon 66,UL94V-0
- *Mates with A2004HB series dual row Housing
- *Solderetail Length 2.40mm is available

	A2004WVB-2X05P	N	0	W	T1	N	00	G
		①	②	③	④	⑤	⑥	⑦

- ① N=Halogen Free
- ② Material: 0=Nylon 66-V0
- ③ Color: W=White
- ④ Plating code: T1=Tin-plated
- ⑤ Plating code: N=Non-plating
- ⑥ Option code: 00=Standard, Y1=Solderetail 2.40mm
- ⑦ Packing code: G=Bag



Ordering Information & Dimensions:

PART NO.	Dimensions	
	A	B
A2004WVB-2X02P	2.00	6.00
A2004WVB-2X03P	4.00	8.00
A2004WVB-2X04P	6.00	10.00
A2004WVB-2X05P	8.00	12.00
A2004WVB-2X06P	10.00	14.00
A2004WVB-2X07P	12.00	16.00
A2004WVB-2X08P	14.00	18.00
A2004WVB-2X09P	16.00	20.00
A2004WVB-2X10P	18.00	22.00
A2004WVB-2X11P	20.00	24.00
A2004WVB-2X12P	22.00	26.00
A2004WVB-2X13P	24.00	28.00
A2004WVB-2X14P	26.00	30.00
A2004WVB-2X15P	28.00	32.00
A2004WVB-2X16P	30.00	34.00
A2004WVB-2X17P	32.00	36.00
A2004WVB-2X18P	34.00	38.00
A2004WVB-2X19P	36.00	40.00
A2004WVB-2X20P	38.00	42.00
A2004WVB-2X21P	40.00	44.00
A2004WVB-2X22P	42.00	46.00

Unit:mm

A
B
C
F
ST
HRJ
DC

A2004WRB-2

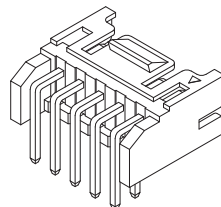
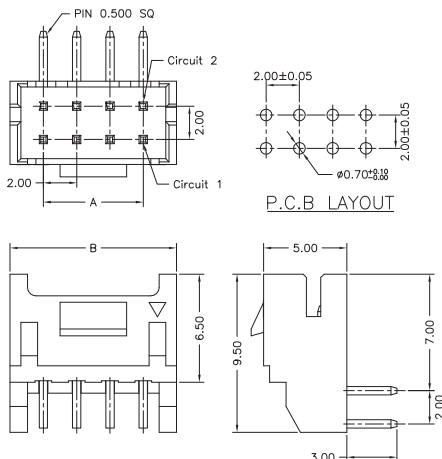
2.00mm pitch 90° Dual Row Wafer - B TYPE

Reference Informations:

- *Material: Pin: Brass/Tin-plated
Wafer: Nylon 66,UL94V-0
- *Mates with A2004HB series dual row Housing
- *Solderetail Length 2.40mm is available

	A2004WRB-2X05P	N	0	W	T1	N	00	G
		①	②	③	④	⑤	⑥	⑦

- ① N=Halogen Free
- ② Material: 0=Nylon 66-V0
- ③ Color: W=White
- ④ Plating code: T1=Tin-plated
- ⑤ Plating code: N=Non-plating
- ⑥ Option code: 00=Standard, Y1=Solderetail 2.40mm
- ⑦ Packing code: G=Bag

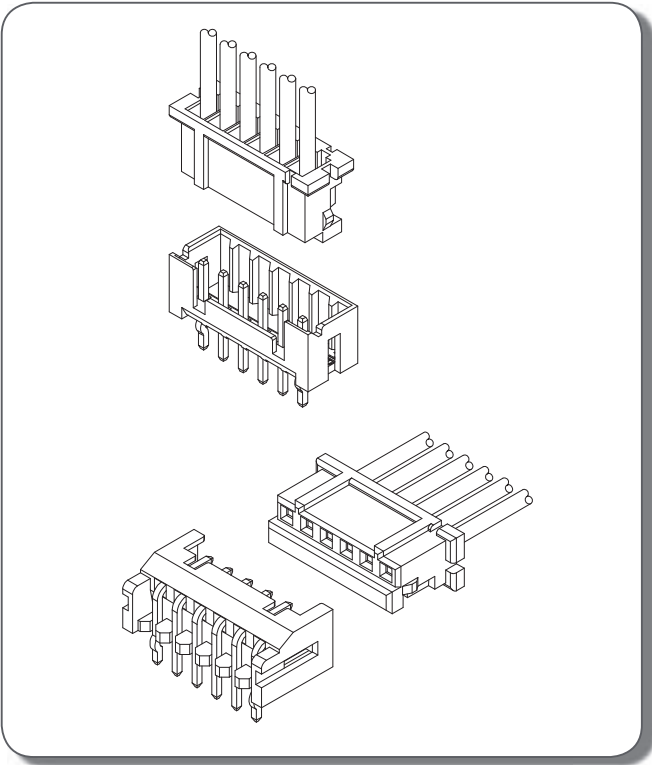


Ordering Information & Dimensions:

PART NO.	Dimensions	
	A	B
A2004WRB-2X02P	2.00	6.00
A2004WRB-2X03P	4.00	8.00
A2004WRB-2X04P	6.00	10.00
A2004WRB-2X05P	8.00	12.00
A2004WRB-2X06P	10.00	14.00
A2004WRB-2X07P	12.00	16.00
A2004WRB-2X08P	14.00	18.00
A2004WRB-2X09P	16.00	20.00
A2004WRB-2X10P	18.00	22.00
A2004WRB-2X11P	20.00	24.00
A2004WRB-2X12P	22.00	26.00
A2004WRB-2X13P	24.00	28.00
A2004WRB-2X14P	26.00	30.00
A2004WRB-2X15P	28.00	32.00
A2004WRB-2X16P	30.00	34.00
A2004WRB-2X17P	32.00	36.00
A2004WRB-2X18P	34.00	38.00
A2004WRB-2X19P	36.00	40.00
A2004WRB-2X20P	38.00	42.00
A2004WRB-2X21P	40.00	44.00

Unit:mm

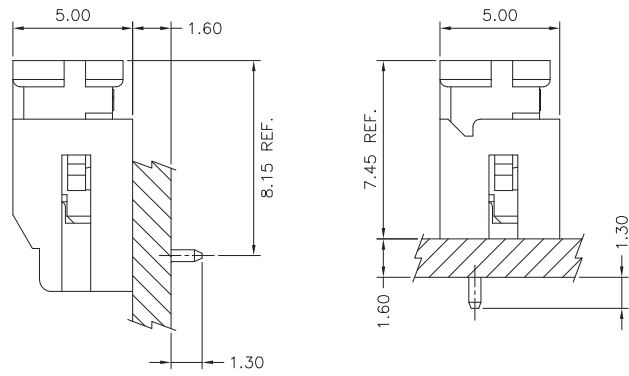
A
B
C
F
ST
HRJ
DC



Specifications

- Current rating: 3A AC,DC
- Voltage rating: 250V AC,DC
- Temperature range: -25°C ~ +85°C
- Contact resistance: 30mΩ Max.
- Insulation resistance: 1000MΩ Min.
- Withstanding voltage: 650V AC/minute

Assembly layout



Ordering code

① ② ③ ④
A2005-T P E

- ① Series No.
- ② Plating code: T=Tin-plated, Gold-flash
- ③ Material: P=Phosphor bronze
- ④ E=Stamping before plating

① ② ③
A2005 WV-05P

- ① Series No.
- ② Connector type: WV=Vertical, WR=Right angle
- ③ No. of circuits

① ② ③
A2005 H-05P

- ① Series No.
- ② H=Housing
- ③ No. of circuits

A2005 SERIES

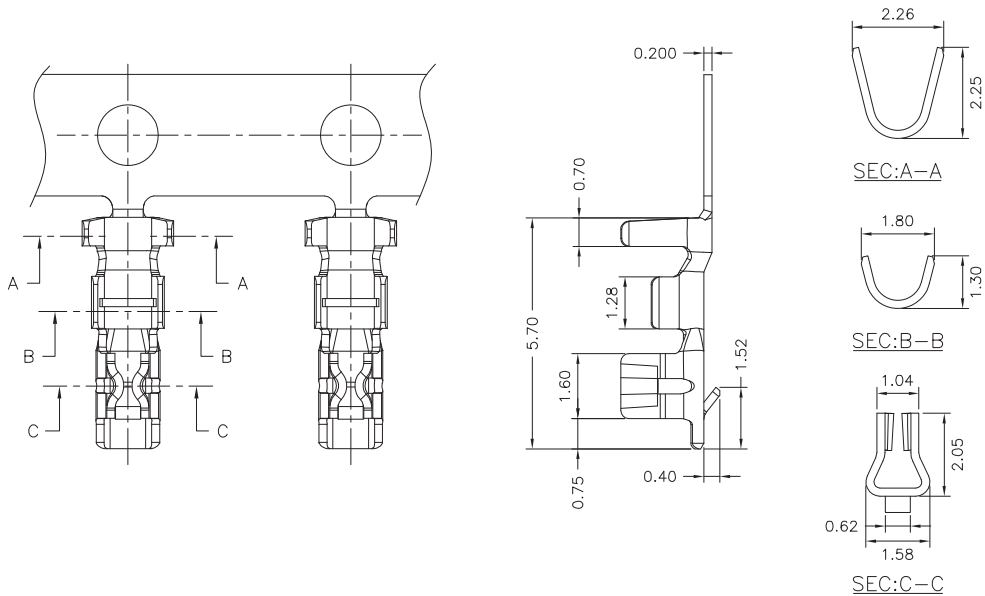
2.00mm pitch wire to board connector

A2005-T

2.00mm pitch Crimp Terminal

Reference Informations:

*Used in A2005 series Housing



A
B
C
F
ST
HRJ
DC

Ordering Information & Specifications:

Unit:mm

Part No.	Wire Range	Insulation O.D.	Material	Finish	Qty/reel
A2005-TPE	AWG#22-#28	1.45mm(max)	Phosphor Bronze	Tin-plated	10,000pcs
A2005-GPE	AWG#22-#28	1.45mm(max)	Phosphor Bronze	Gold-flash	10,000pcs

Note:E-Stamping before Tin-plated or Gold-flash

A2005H

2.00mm pitch Housing

Reference Informations:

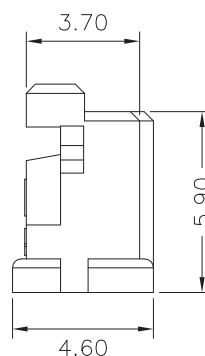
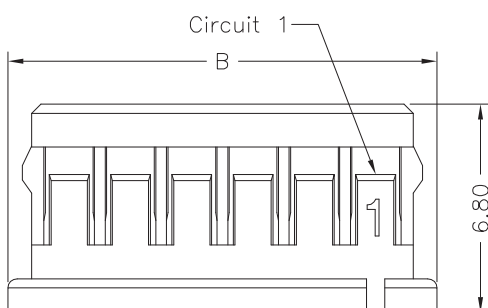
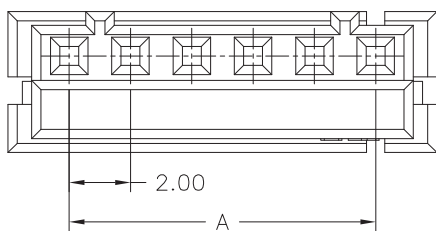
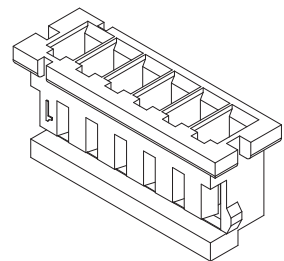
*Material: Nylon 66,UL94V-0

*Suitable A2005 series Terminal

*Mates with A2005 series Wafer

	A2005H-05P	N	Q	B	NP	N	00	G
		①	②	③	④	⑤	⑥	⑦

① N=Halogen Free
② Material: 0=Nylon 66-V0
③ Color: B=Black
④ Plating code: NP=Non-plating
⑤ Plating code: N=Non-plating
⑥ Option code: 00=Standard
⑦ Packing code: G=Bag



Ordering Information & Dimensions:

PART NO.	Dimensions	
	A	B
A2005H-02P	2.00	6.00
A2005H-03P	4.00	8.00
A2005H-04P	6.00	10.00
A2005H-05P	8.00	12.00
A2005H-06P	10.00	14.00
A2005H-07P	12.00	16.00
A2005H-08P	14.00	18.00
A2005H-09P	16.00	20.00
A2005H-10P	18.00	22.00
A2005H-11P	20.00	24.00
A2005H-12P	22.00	26.00
A2005H-13P	24.00	28.00
A2005H-14P	26.00	30.00
A2005H-15P	28.00	32.00

Unit:mm

A2005 SERIES

2.00mm pitch wire to board connector

A2005WV

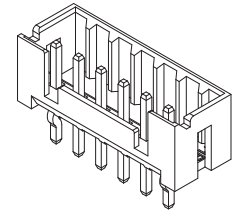
2.00mm pitch 180° Wafer

Reference Informations:

- *Material: Pin: Brass/Gold-flash
Wafer: Nylon 6T,UL94V-0
- *Mates with A2005 series Housing

	A2005WV-05P	N	6	B	G1	N	00	G
		①	②	③	④	⑤	⑥	⑦

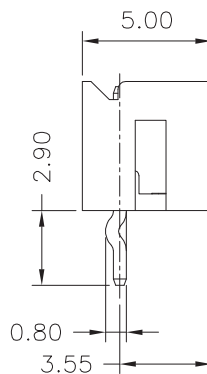
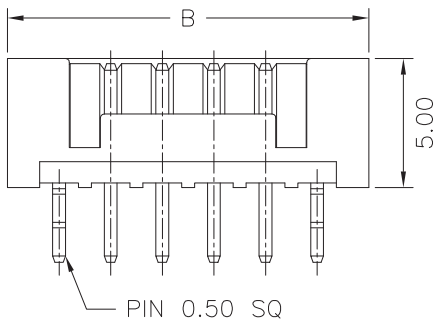
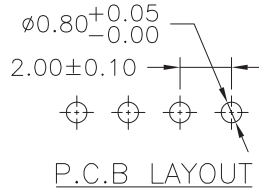
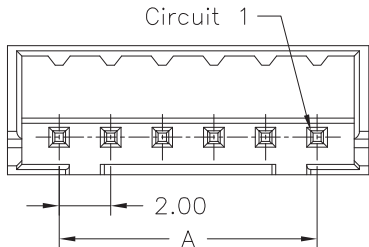
① N=Halogen Free
② Material: 6=Nylon 6T
③ Color: B=Black
④ Plating code: G1=Gold-flash
⑤ Plating code: N=Non-plating
⑥ Option code: 00=Standard
⑦ Packing code: G=Bag



Ordering Information & Dimensions:

PART NO.	Dimensions	
	A	B
A2005WV-02P	2.00	6.00
A2005WV-03P	4.00	8.00
A2005WV-04P	6.00	10.00
A2005WV-05P	8.00	12.00
A2005WV-06P	10.00	14.00
A2005WV-07P	12.00	16.00
A2005WV-08P	14.00	18.00
A2005WV-09P	16.00	20.00
A2005WV-10P	18.00	22.00
A2005WV-11P	20.00	24.00
A2005WV-12P	22.00	26.00
A2005WV-13P	24.00	28.00
A2005WV-14P	26.00	30.00
A2005WV-15P	28.00	32.00

Unit:mm



A
B
C
F
ST
HRJ
DC

A2005WR

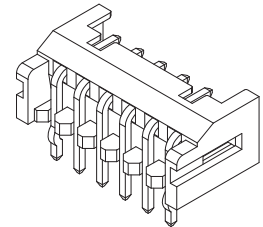
2.00mm pitch 90° Wafer

Reference Informations:

- *Material: Pin: Brass/Gold-flash
Wafer: Nylon 6T,UL94V-0
- *Mates with A2005 series Housing

	A2005WR-05P	N	6	B	G1	N	00	G
		①	②	③	④	⑤	⑥	⑦

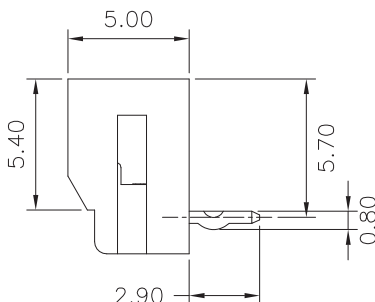
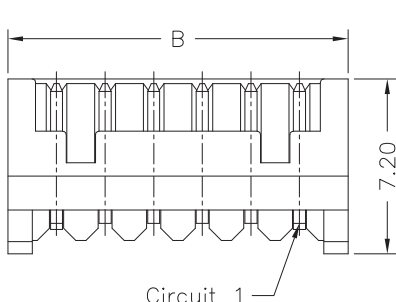
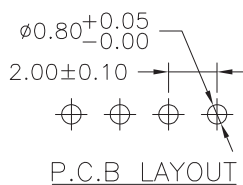
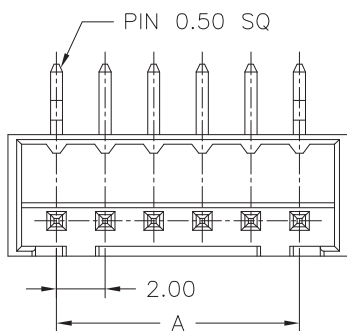
① N=Halogen Free
② Material: 6=Nylon 6T
③ Color: B=Black
④ Plating code: G1=Gold-flash
⑤ Plating code: N=Non-plating
⑥ Option code: 00=Standard
⑦ Packing code: G=Bag

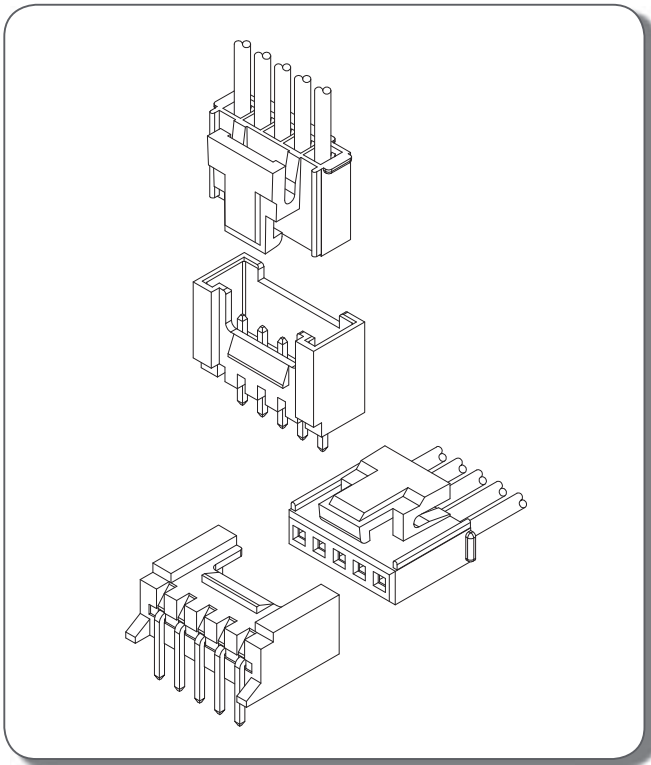


Ordering Information & Dimensions:

PART NO.	Dimensions	
	A	B
A2005WR-02P	2.00	6.00
A2005WR-03P	4.00	8.00
A2005WR-04P	6.00	10.00
A2005WR-05P	8.00	12.00
A2005WR-06P	10.00	14.00
A2005WR-07P	12.00	16.00
A2005WR-08P	14.00	18.00
A2005WR-09P	16.00	20.00
A2005WR-10P	18.00	22.00
A2005WR-11P	20.00	24.00
A2005WR-12P	22.00	26.00
A2005WR-13P	24.00	28.00
A2005WR-14P	26.00	30.00
A2005WR-15P	28.00	32.00

Unit:mm



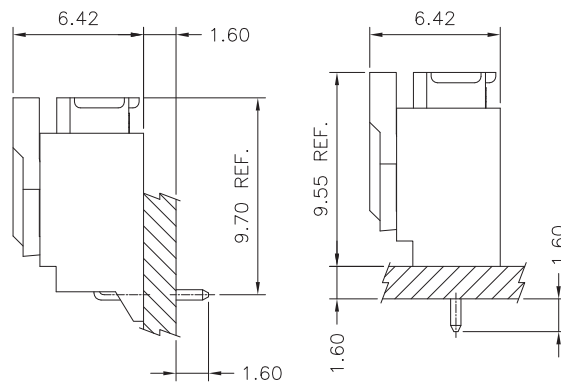


Specifications

Current rating: 3A AC,DC
 Voltage rating: 250V AC,DC
 Temperature range: -25°C ~ +85°C
 Contact resistance: 30mΩ Max.
 Insulation resistance: 1000MΩ Min.
 Withstanding voltage: 1000V AC/minute

A
B
C
F
ST
HRJ
DC

Assembly layout



Ordering code

① A2006 ② H ③ -05P ④ -BK

- ① Series No.
- ② H=Housing
- ③ No. of circuits
- ④ Option code: -BK=Black

① A2006 ② WV ③ -F ④ -05P ⑤ BK

- ① Series No.
- ② Connector type: WV=Vertical, WR=Right angle
- ③ Blank=Normal type
-F=With boss
- ④ No. of circuits
- ⑤ Option code: BK=Black

A2006 SERIES

2.00mm pitch wire to board connector

A2006-H

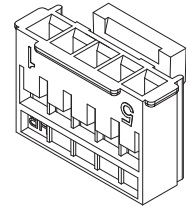
—2.00mm pitch Housing—

Reference Informations:

- *Material: Nylon 66,UL94V-0
- *Suitable A2211 series Terminal
- *Mates with A2006 series Wafer

	A2006H-05P	N	0	W	NP	N	00	G
		①	②	③	④	⑤	⑥	⑦

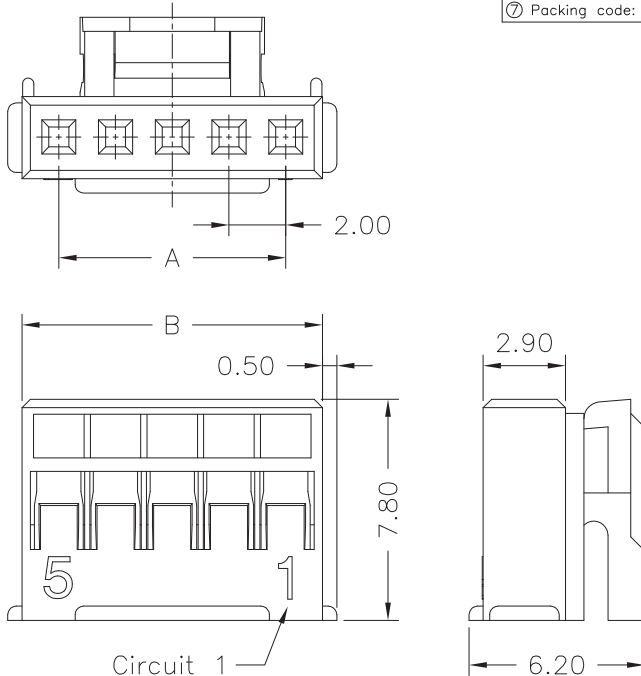
① N=Halogen Free
② Material: 0=Nylon 66-V0
③ Color: W=White, B=Black
④ Plating code: NP=Non-plating
⑤ Plating code: N=Non-plating
⑥ Option code: 00=Standard
⑦ Packing code: G=Bag



Ordering Information & Dimensions:

PART NO.	Dimensions	
	A	B
A2006H-02P	2.00	4.60
A2006H-03P	4.00	6.60
A2006H-04P	6.00	8.60
A2006H-05P	8.00	10.60
A2006H-06P	10.00	12.60
A2006H-07P	12.00	14.60
A2006H-08P	14.00	16.60
A2006H-09P	16.00	18.60
A2006H-10P	18.00	20.60
A2006H-11P	20.00	22.60
A2006H-12P	22.00	24.60
A2006H-13P	24.00	26.60
A2006H-14P	26.00	28.60
A2006H-15P	28.00	30.60
A2006H-16P	30.00	32.60

Unit:mm



A2006WV

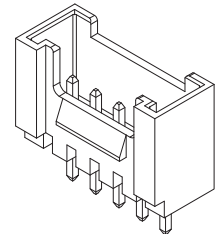
—2.00mm pitch 180° Wafer—

Reference Informations:

- *Material: Pin: Brass/Gold-flash
Wafer: Nylon 46,UL94V-0
- *Mates with A2006 series Housing

	A2006WV-05P	N	6	B	G1	N	00	G
		①	②	③	④	⑤	⑥	⑦

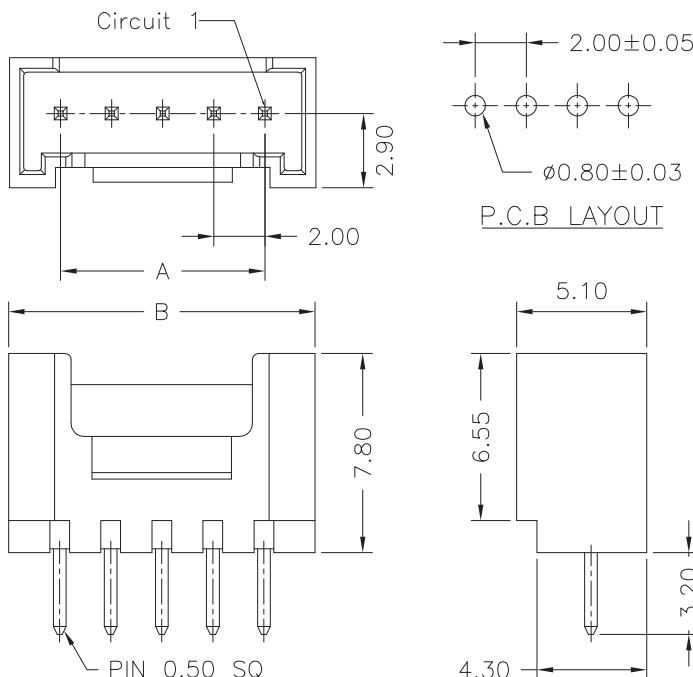
① N=Halogen Free
② Material: 6=Nylon 6T
③ Color: B=Black
④ Plating code: G1=Gold-flash
⑤ Plating code: N=Non-plating
⑥ Option code: 00=Standard
⑦ Packing code: G=Bag



Ordering Information & Dimensions:

PART NO.	Dimensions	
	A	B
A2006WV-02P	2.00	6.00
A2006WV-03P	4.00	8.00
A2006WV-04P	6.00	10.00
A2006WV-05P	8.00	12.00
A2006WV-06P	10.00	14.00
A2006WV-07P	12.00	16.00
A2006WV-08P	14.00	18.00
A2006WV-09P	16.00	20.00
A2006WV-10P	18.00	22.00
A2006WV-11P	20.00	24.00
A2006WV-12P	22.00	26.00
A2006WV-13P	24.00	28.00
A2006WV-14P	26.00	30.00
A2006WV-15P	28.00	32.00
A2006WV-16P	30.00	34.00

Unit:mm



A2006 SERIES

2.00mm pitch wire to board connector

A2006WR

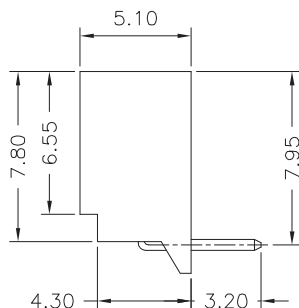
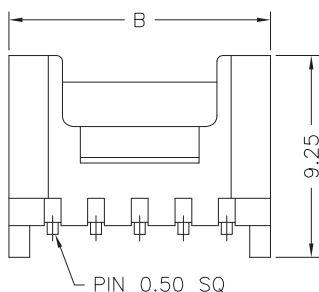
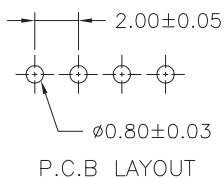
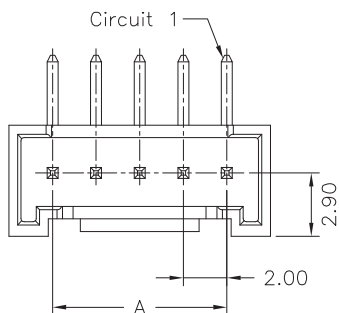
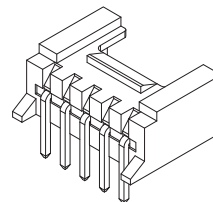
—2.00mm pitch 90° Wafer—

Reference Informations:

- *Material: Pin: Brass/Gold-flash
Wafer: Nylon 46,UL94V-0
- *Mates with A2006 series Housing

	A2006WR-05P	N	6	B	G1	N	00	G
		①	②	③	④	⑤	⑥	⑦

① N=Halogen Free
② Material: 6=Nylon 6T
③ Color: B=Black
④ Plating code: G1=Gold-flash
⑤ Plating code: N=Non-plating
⑥ Option code: 00=Standard
⑦ Packing code: G=Bag



Ordering Information & Dimensions:

PART NO.	Dimensions	
	A	B
A2006WR-02P	2.00	6.00
A2006WR-03P	4.00	8.00
A2006WR-04P	6.00	10.00
A2006WR-05P	8.00	12.00
A2006WR-06P	10.00	14.00
A2006WR-07P	12.00	16.00
A2006WR-08P	14.00	18.00
A2006WR-09P	16.00	20.00
A2006WR-10P	18.00	22.00
A2006WR-11P	20.00	24.00
A2006WR-12P	22.00	26.00
A2006WR-13P	24.00	28.00
A2006WR-14P	26.00	30.00
A2006WR-15P	28.00	32.00
A2006WR-16P	30.00	34.00

Unit:mm

A
B
C
F
ST
HRJ
DC

A2006WV-F

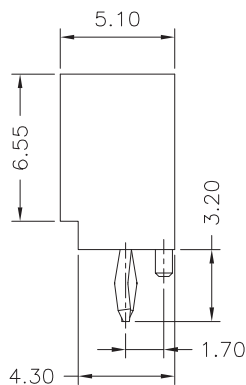
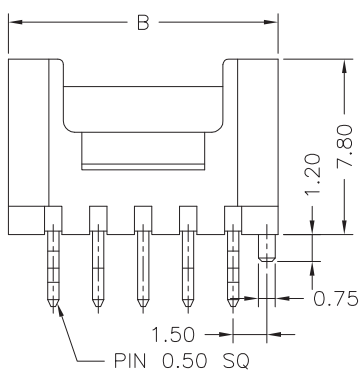
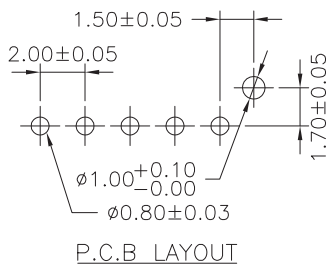
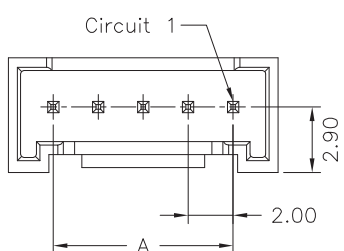
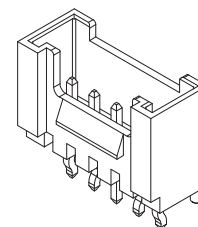
—2.00mm pitch 180° Wafer With Boss—

Reference Informations:

- *Material: Pin: Brass/Gold-flash
Wafer: Nylon 46,UL94V-0
- *Mates with A2006 series Housing

	A2006WV-F-05P	N	6	B	G1	N	K0	G
		①	②	③	④	⑤	⑥	⑦

① N=Halogen Free
② Material: 6=Nylon 6T
③ Color: B=Black
④ Plating code: G1=Gold-flash
⑤ Plating code: N=Non-plating
⑥ Option code: K0=With pin kink
⑦ Packing code: G=Bag



Ordering Information & Dimensions:

PART NO.	Dimensions	
	A	B
A2006WV-F-02P	2.00	6.00
A2006WV-F-03P	4.00	8.00
A2006WV-F-04P	6.00	10.00
A2006WV-F-05P	8.00	12.00
A2006WV-F-06P	10.00	14.00
A2006WV-F-07P	12.00	16.00
A2006WV-F-08P	14.00	18.00
A2006WV-F-09P	16.00	20.00
A2006WV-F-10P	18.00	22.00
A2006WV-F-11P	20.00	24.00
A2006WV-F-12P	22.00	26.00
A2006WV-F-13P	24.00	28.00
A2006WV-F-14P	26.00	30.00
A2006WV-F-15P	28.00	32.00
A2006WV-F-16P	30.00	34.00

Unit:mm

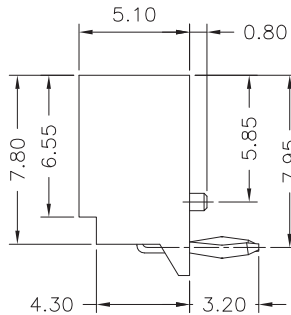
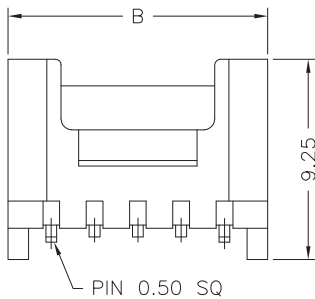
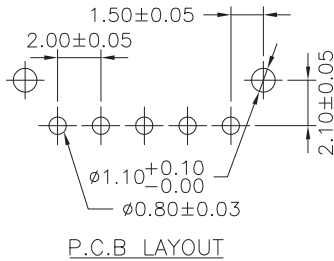
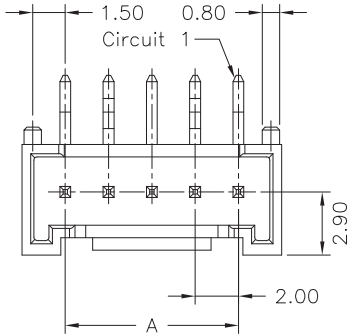
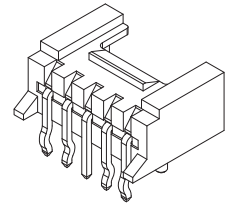
A2006WR-F

2.00mm pitch 90° Wafer With Boss

Reference Informations:

- *Material: Pin: Brass/Gold-flash
Wafer: Nylon 46,UL94V-0
- *Mates with A2006 series Housing

	A2006WR-F-05P						
	N	6	B	G1	N	K0	G
①	②	③	④	⑤	⑥	⑦	
① N=Halogen Free ② Material: 6=Nylon 6T ③ Color: B=Black ④ Plating code: G1=Gold-flash ⑤ Plating code: N=Non-plating ⑥ Option code: K0=With pin kink ⑦ Packing code: G=Bag							

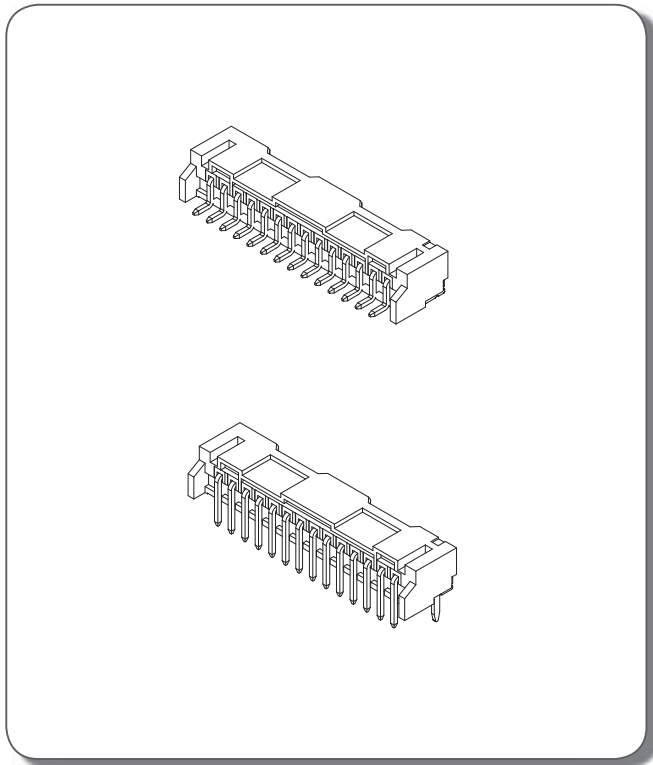


Ordering Information & Dimensions:

PART NO.	Dimensions	
	A	B
A2006WR-F-02P	2.00	6.00
A2006WR-F-03P	4.00	8.00
A2006WR-F-04P	6.00	10.00
A2006WR-F-05P	8.00	12.00
A2006WR-F-06P	10.00	14.00
A2006WR-F-07P	12.00	16.00
A2006WR-F-08P	14.00	18.00
A2006WR-F-09P	16.00	20.00
A2006WR-F-10P	18.00	22.00
A2006WR-F-11P	20.00	24.00
A2006WR-F-12P	22.00	26.00
A2006WR-F-13P	24.00	28.00
A2006WR-F-14P	26.00	30.00
A2006WR-F-15P	28.00	32.00
A2006WR-F-16P	30.00	34.00

Unit:mm

A
B
C
F
ST
HRJ
DC

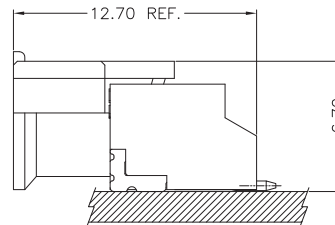
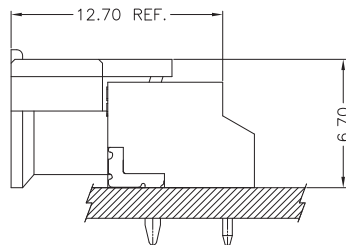


Specifications

Current rating: 2A AC,DC
Voltage rating: 100V AC,DC
Temperature range: -25°C ~ +85°C
Contact resistance: 20mΩ Max.
Insulation resistance: 1000MΩ Min.
Withstanding voltage: 800V AC/minute

A
B
C
F
ST
HRJ
DC

Assembly layout



Ordering code

① A2008 ② WR- ③ XP

- ① Series No.
- ② Connector type: WR=Right angle
- ③ No. of circuits

① A2008 ② WR- ③ S- ④ XP- ⑤ D01

- ① Series No.
- ② Connector type: WR=Right angle
- ③ Mounting type: S=SMT
- ④ No. of circuits
- ⑤ Option code:
D01=Gold-flash, Taping reel

A2008 SERIES

2.00mm pitch wire to board connector

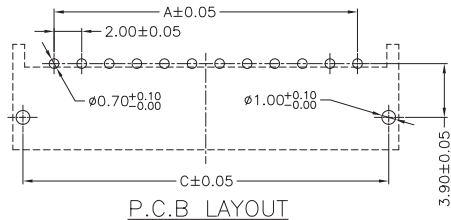
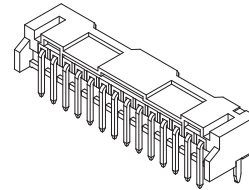
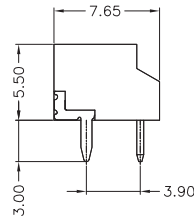
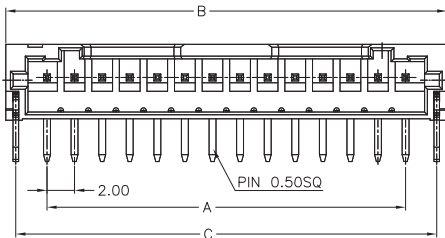
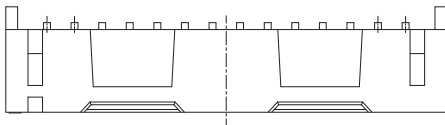
A2008WR

2.00mm pitch 90° wafer-DIP TYPE

Reference Informations:

- *Material: PIN: Brass/Tin-plated
Solder Tabs: Brass/Tin-plated
Wafer: Nylon 6T,UL94V-0
- *Mates with A2001 series Housing

	A2008WR-12P R 6 N T1 T 00 G						
	①	②	③	④	⑤	⑥	⑦
①	R=Rohs						
②	Material: 6=Nylon 6T,UL94V-0						
③	Color: N=Natural(Beige)						
④	Plating code: T1=Non-plating						
⑤	Plating code: N=Non-plating						
⑥	Option code: 00=Standard						
⑦	Packing code: B=Bag						



Ordering Information & Dimensions:

PART NO.	Dimensions		
	A	B	C
A2008WR-12P	22.00	27.98	26.52
A2008WR-13P	24.00	29.98	28.85
A2008WR-14P	26.00	31.98	30.52


Unit:mm

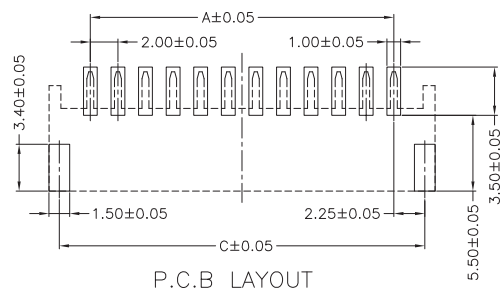
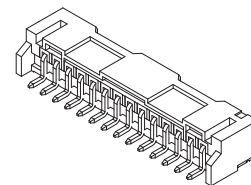
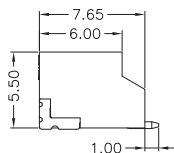
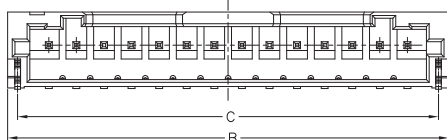
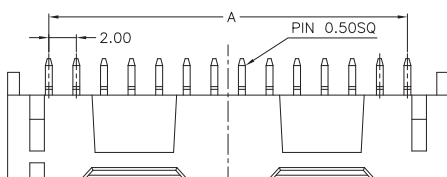
A2008WR-S

2.00mm pitch 90° Wafer-SMT TYPE

Reference Informations:

- *Material: PIN: Brass/Tin-plated
Solder Tabs: Brass/Tin-plated
Wafer: Nylon 6T,UL94V-0
- *Mates with A2001 series Housing

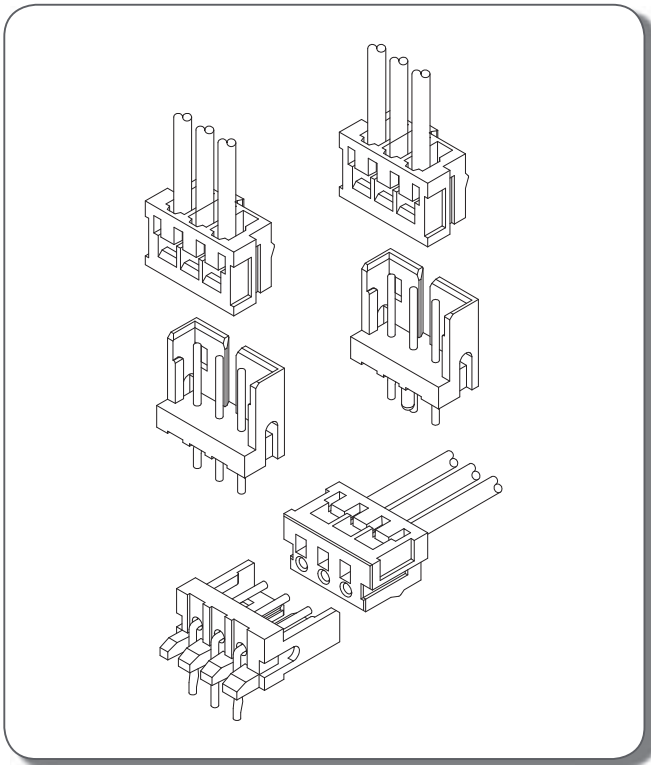
	A2008WR-S-12P R 6 N T1 T 00 R						
	①	②	③	④	⑤	⑥	⑦
①	R=Rohs						
②	Material: 6=Nylon 6T,UL94V-0						
③	Color: N=Natural(Beige)						
④	Plating code: T1=Non-plating						
⑤	Plating code: N=Non-plating						
⑥	Option code: 00=Standard						
⑦	Packing code: R=Tape&Reel(Without Cap or Mylar)						



Ordering Information & Dimensions:

PART NO.	Dimensions		
	A	B	C
A2008WR-S-12P	22.00	27.98	26.52
A2008WR-S-13P	24.00	29.98	28.85
A2008WR-S-14P	26.00	31.98	30.52

Unit:mm



Specifications

Current rating: 4A AC,DC
 Voltage rating: 125V AC,DC
 Temperature range: -25°C ~ +85°C
 Contact resistance: 10mΩ Max.
 Insulation resistance: 1000MΩ Min.
 Withstanding voltage: 1000V AC/minute

A
B
C
F
ST
HRJ
DC

Standards

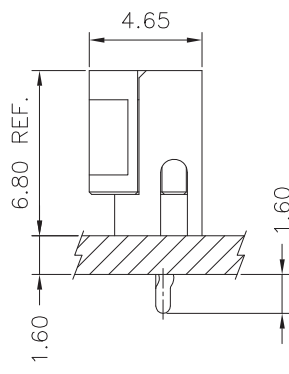
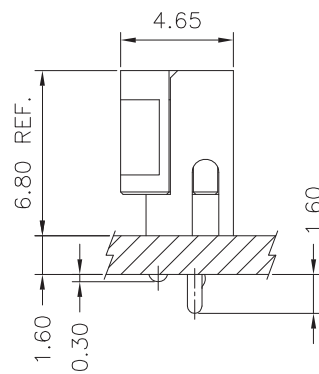
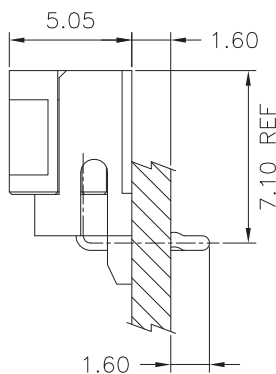


E179987



LR113464

Assembly layout



Ordering code

① ② ③ ④
A2013-T P E

- ① Series No.
- ② Plating code: T= Tin-plated
- ③ Material: P= Phosphor bronze
- ④ E= Stamping before plating

① ② ③
A2013 H-05P

- ① Series No.
- ② H= Housing
- ③ No. of circuits

① ② ③ ④ ⑤
A2013 WV -F-03P 46G

- ① Series No.
- ② Connector type: WV= Vertical, WR= Right angle
- ③ Blank= Normal type
-F= With boss
- ④ No. of circuits
- ⑤ Option code:
46G= Nylon 46, Gold-flash

A2013 SERIES

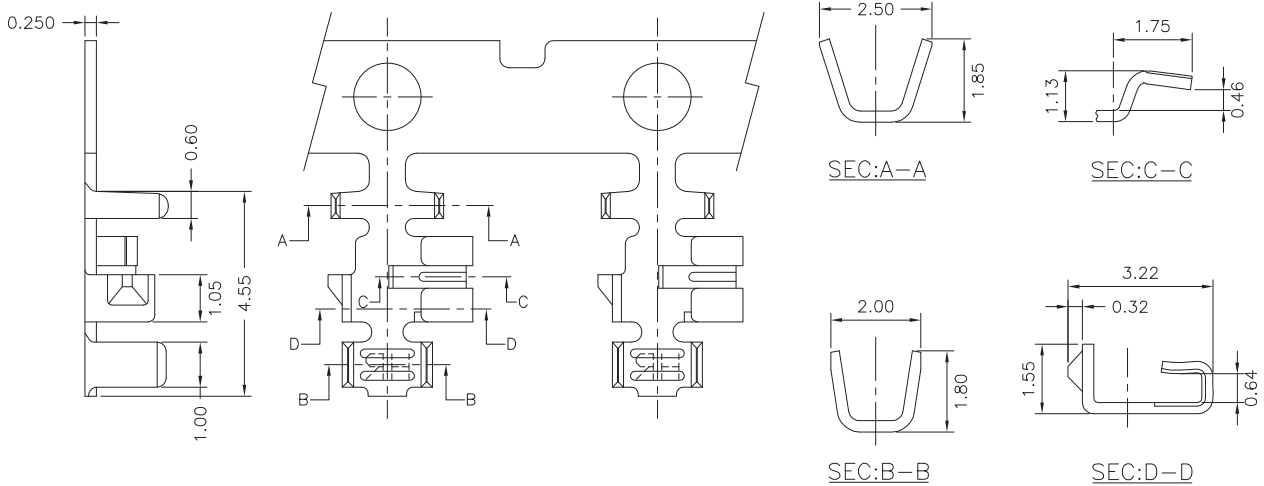
2.00mm pitch wire to board connector

A2013-T

2.00mm pitch Crimp Terminal

Reference Informations:

*Used in A2013 series Housing



Ordering Information & Specifications:

Unit:mm

Part No.	Wire Range	Insulation O.D.	Material	Finish	Qty/reel
A2013-TPE	AWG#22-#26	1.50mm(max)	Phosphor Bronze	Tin-plated	10,000pcs

Note:E-Stamping before Tin-plated

A2013H

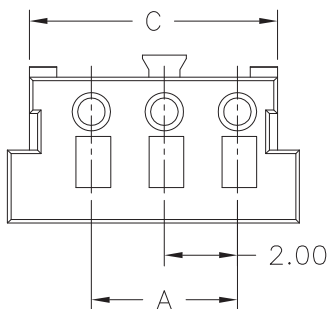
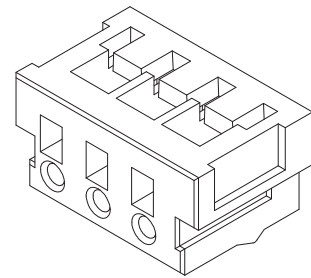
2.00mm pitch Housing

Reference Informations:

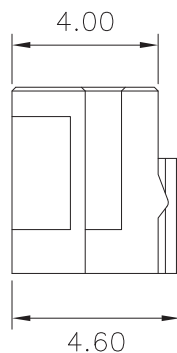
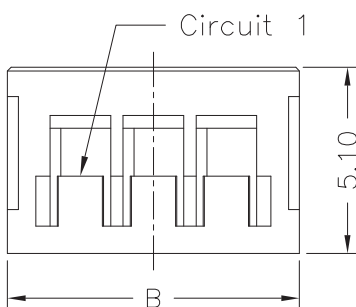
*Material: Nylon 66,UL94V-0

*Suitable A2013 series Terminal

*Mates with A2013 series Wafer



	A2013H-05P						
	N	O	W	NP	N	00	G
①	②	③	④	⑤	⑥	⑦	
①	N=Halogen Free						
②	Material: O=Nylon 66-V0						
③	Color: W=White						
④	Plating code: NP=Non-plating						
⑤	Plating code: N=Non-plating						
⑥	Option code: 00=Standard						
⑦	Packing code: G=Bag						



Ordering Information & Dimensions:

PART NO.	Dimensions		
	A	B	C
A2013H-02P	2.00	6.00	4.80
A2013H-03P	4.00	8.00	6.80
A2013H-04P	6.00	10.00	8.80
A2013H-05P	8.00	12.00	10.80
A2013H-06P	10.00	14.00	12.80
A2013H-07P	12.00	16.00	14.80
A2013H-08P	14.00	18.00	16.80
A2013H-09P	16.00	20.00	18.80
A2013H-10P	18.00	22.00	20.80
A2013H-11P	20.00	24.00	22.80
A2013H-12P	22.00	26.00	24.80
A2013H-13P	24.00	28.00	26.80
A2013H-14P	26.00	30.00	28.80
A2013H-15P	28.00	32.00	30.80

Unit:mm

A2013 SERIES

2.00mm pitch wire to board connector

A2013WV

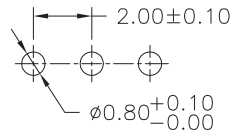
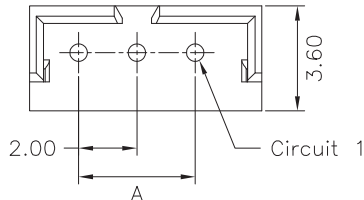
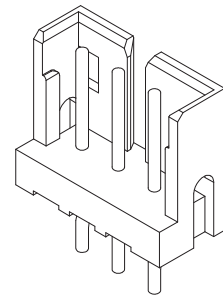
2.00mm pitch 180° Wafer

Reference Informations:

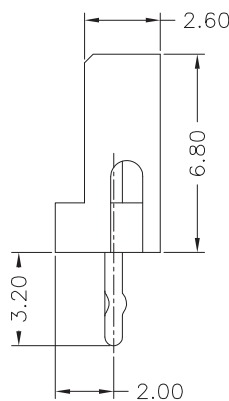
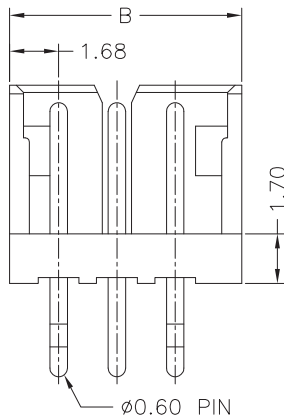
- *Material: Pin: Brass/Tin-plated
Wafer: Nylon 66,UL94V-0
- *Mates with A2013 series Housing
- *Nylon 46 is available

	A2013WV-05P	N	0	W	T1	N	K0	G
		①	②	③	④	⑤	⑥	⑦

- ① N=Halogen Free
- ② Material: 0=Nylon 66-V0, 6=Nylon 6T
- ③ Color: W=White, B=Black
- ④ Plating code: T1=Tin-plated, G1=Gold-flash
- ⑤ Plating code: N=Non-plating
- ⑥ Option code: K0=With pin kink
- ⑦ Packing code: G=Bag



P.C.B. LAYOUT



Ordering Information & Dimensions:

PART NO.	Dimensions	
	A	B
A2013WV-02P	2.00	5.96
A2013WV-03P	4.00	7.96
A2013WV-04P	6.00	9.96
A2013WV-05P	8.00	11.96
A2013WV-06P	10.00	13.96
A2013WV-07P	12.00	15.96
A2013WV-08P	14.00	17.96
A2013WV-09P	16.00	19.96
A2013WV-10P	18.00	21.96
A2013WV-11P	20.00	23.96
A2013WV-12P	22.00	25.96
A2013WV-13P	24.00	27.96
A2013WV-14P	26.00	29.96
A2013WV-15P	28.00	31.96

Unit:mm

A
B
C
F
ST
HRJ
DC

A2013WR

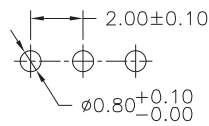
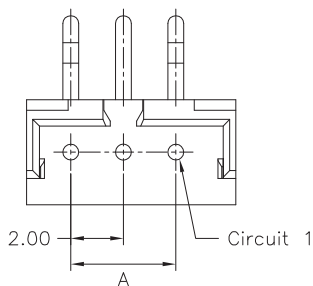
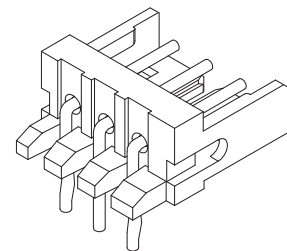
2.00mm pitch 90° Wafer

Reference Informations:

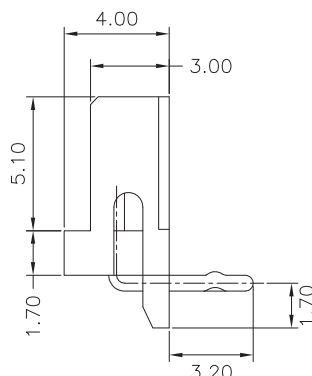
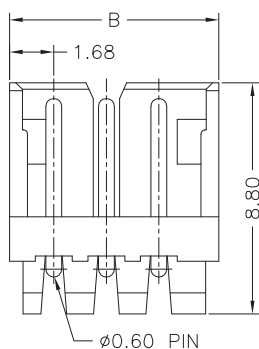
- *Material: Pin: Brass/Tin-plated
Wafer: Nylon 66,UL94V-0
- *Mates with A2013 series Housing
- *Nylon 46 is available

	A2013WR-05P	N	0	W	T1	N	K0	G
		①	②	③	④	⑤	⑥	⑦

- ① N=Halogen Free
- ② Material: 0=Nylon 66-V0, 6=Nylon 6T
- ③ Color: W=White, B=Black
- ④ Plating code: T1=Tin-plated, G1=Gold-flash
- ⑤ Plating code: N=Non-plating
- ⑥ Option code: K0=With pin kink
- ⑦ Packing code: G=Bag



P.C.B. LAYOUT



Ordering Information & Dimensions:

PART NO.	Dimensions	
	A	B
A2013WR-02P	2.00	5.96
A2013WR-03P	4.00	7.96
A2013WR-04P	6.00	9.96
A2013WR-05P	8.00	11.96
A2013WR-06P	10.00	13.96
A2013WR-07P	12.00	15.96
A2013WR-08P	14.00	17.96
A2013WR-09P	16.00	19.96
A2013WR-10P	18.00	21.96
A2013WR-11P	20.00	23.96
A2013WR-12P	22.00	25.96
A2013WR-13P	24.00	27.96
A2013WR-14P	26.00	29.96
A2013WR-15P	28.00	31.96

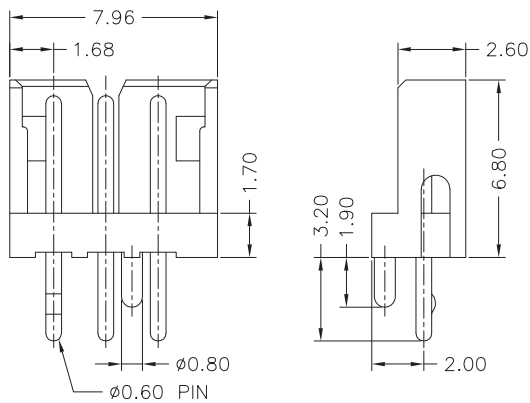
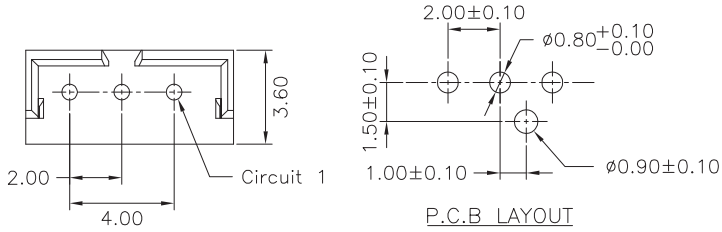
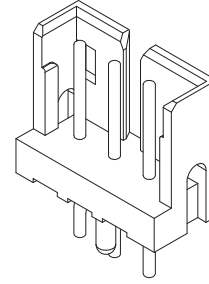
Unit:mm

A2013WV-F-03P

2.00mm pitch 180° Wafer With Foot

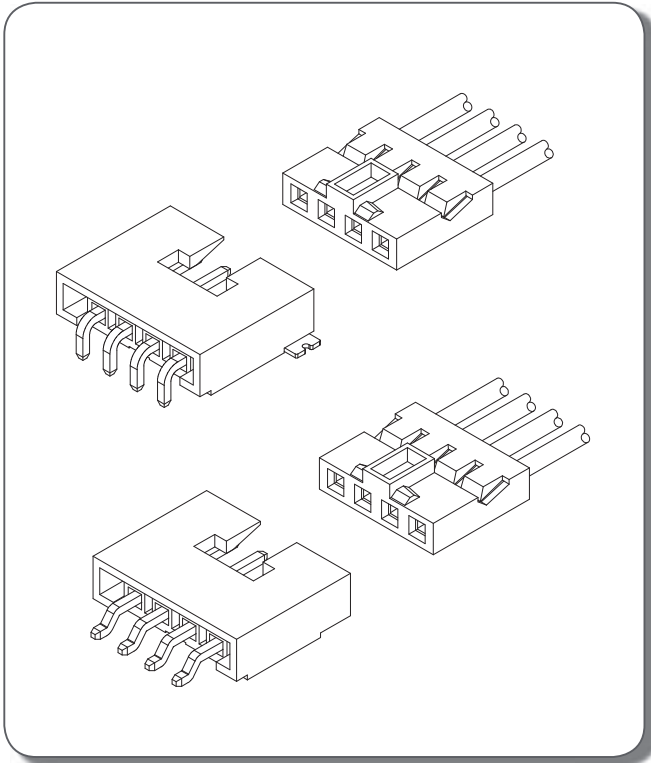
Reference Informations:

- *Material: Pin: Brass/Tin-plated
Wafer: Nylon 66,UL94V-0
- *Mates with A2013 series Housing



	A2013WV-F-03P	N	Q	W	T1	N	K0	G
		①	②	③	④	⑤	⑥	⑦
① N=Halogen Free ② Material: 0=Nylon 66-V0, 6=Nylon 6T ③ Color: W=White, B=Black ④ Plating code: T1=Tin-plated, G1=Gold-flash ⑤ Plating code: N=Non-plating ⑥ Option code: K0=With pin kink ⑦ Packing code: G=Bag								

A
B
C
F
ST
HRJ
DC

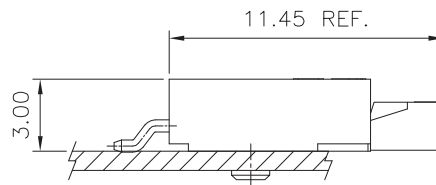
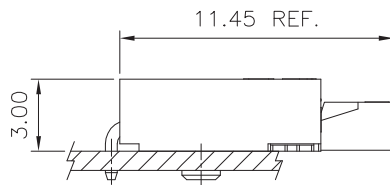


Specifications

Current rating: 3A AC,DC
 Voltage rating: 250V AC,DC
 Temperature range: -25°C ~ +85°C
 Contact resistance: 30mΩ Max.
 Insulation resistance: 1000MΩ Min.
 Withstanding voltage: 500V AC/minute

A
B
C
F
ST
HRJ
DC

Assembly layout



Ordering code

① A2014 ② H-③ 04P

- ① Series No.
- ② H=Housing
- ③ No. of circuits

① A2014 ② WR-③ SF-④ 04P

- ① Series No.
- ② Connector type: WR=Right angle
- ③ Mounting type: F=SMT with through hole
SF=SMT with boss
- ④ No. of circuits

A2014 SERIES

2.00mm pitch wire to board connector

A2014H

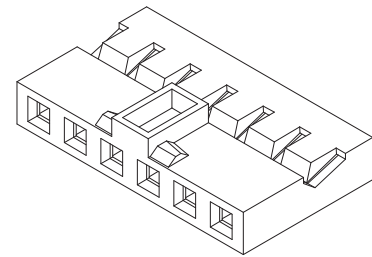
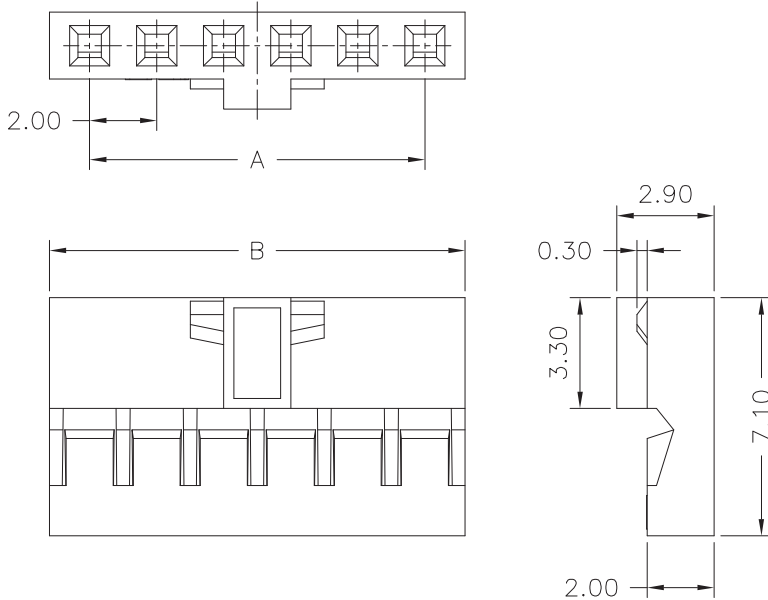
2.00mm pitch Housing

Reference Informations:

- *Material: Nylon 66,UL94V-0
- *Suitable A2015 series Terminal
- *Mates with A2014 series Wafer

	A2014H-04P	N	0	W	NP	N	00	G
		①	②	③	④	⑤	⑥	⑦

① N=Halogen Free
 ② Material: 0=Nylon 66-V0
 ③ Color: W=White
 ④ Plating code: NP=Non-plating
 ⑤ Plating code: N=Non-plating
 ⑥ Option code: 00=Standard
 ⑦ Packing code: G=Bag



Ordering Information & Dimensions:

PART NO.	Dimensions	
	A	B
A2014H-04P	6.00	8.40
A2014H-06P	10.00	12.40

Unit:mm

A2014WR-F

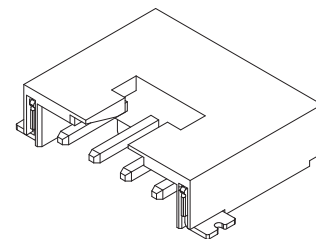
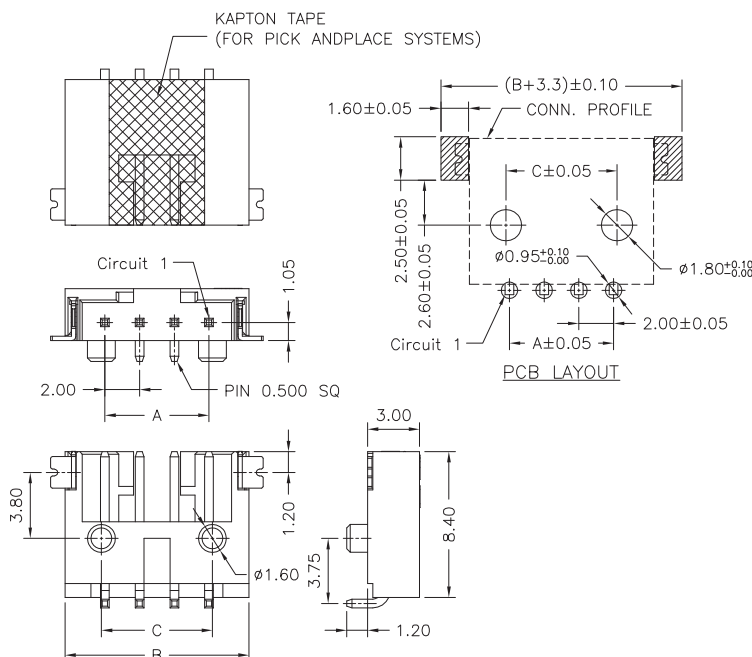
2.00mm pitch 90° Wafer

Reference Informations:

- *Material: Pin: Brass/Gold-flash
Solder Tabs: Brass/Gold-flash
Wafer: LCP,UL94V-0
- *Mates with A2014 series Housing

	A2014WR-F-04P	N	L	N	G1	G	00	L
		①	②	③	④	⑤	⑥	⑦

① N=Halogen Free
 ② Material: L=LCP
 ③ Color: N=Natural(Beige)
 ④ Plating code: G1=Gold-flash
 ⑤ Plating code: G=Gold-flash
 ⑥ Option code: 00=Standard
 ⑦ Packing code: L=Tape & Reel(With Mylar)



Ordering Information & Dimensions:

PART NO.	Dimensions		
	A	B	C
A2014WR-F-04P	6.00	10.60	6.40
A2014WR-F-06P	10.00	14.60	10.40
A2014WR-F-08P	14.00	18.60	14.40

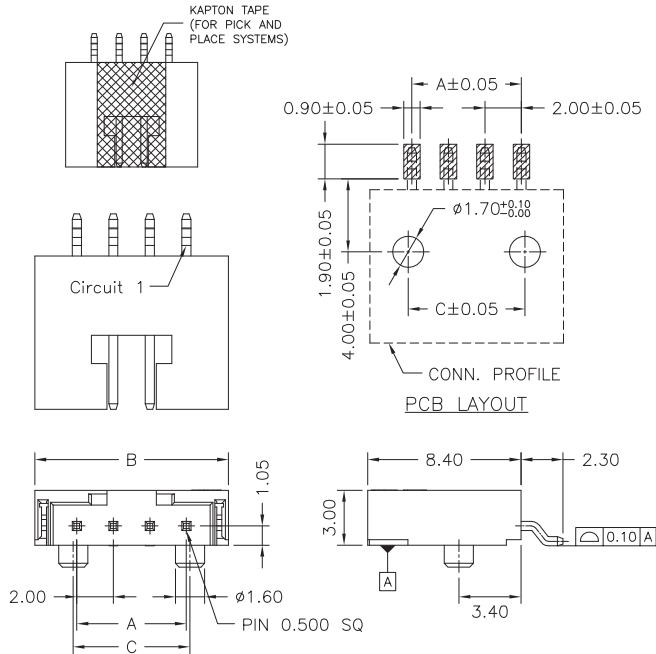
Unit:mm

A2014WR-SF

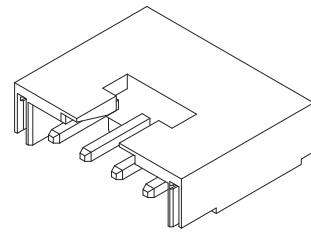
— 2.00mm pitch 90° Wafer - SMT TYPE —

Reference Informations:

- *Material: Pin: Brass/Gold-flash
Wafer: LCP,UL94V-0
- *Mates with A2014 series Housing



	A2014WR-SF-04P	N	L	N	G1	N	00	L
		①	②	③	④	⑤	⑥	⑦
①	N=Halogen Free							
②	Material: L=LCP							
③	Color: N=Natural(Beige)							
④	Plating code: G1=Gold-flash							
⑤	Plating code: N=Non-plating							
⑥	Option code: 00=Standard							
⑦	Packing code: L=Tape & Reel(With Mylar)							



A
B
C
F
ST
HRJ
DC

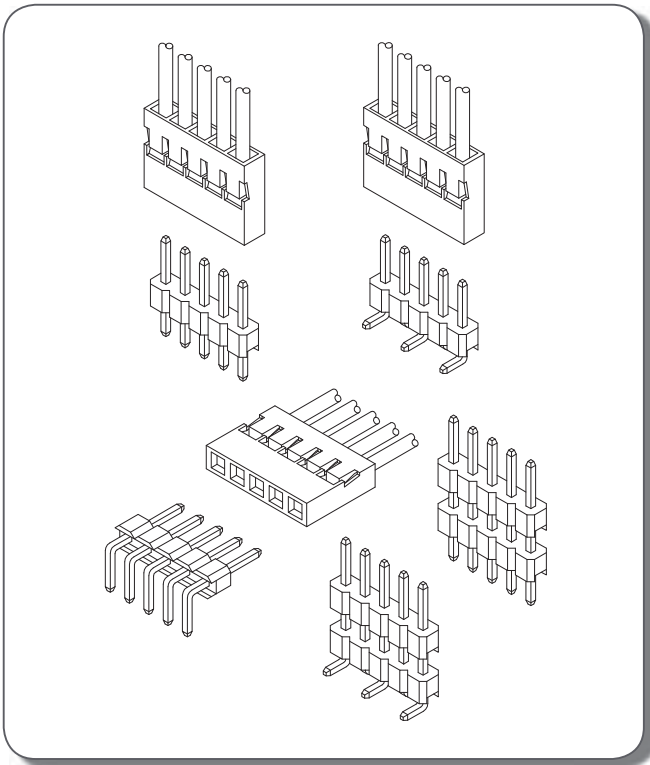
Ordering Information & Dimensions:

PART NO.	Dimensions		
	A	B	C
A2014WR-SF-04P	6.00	10.60	6.40
A2014WR-SF-06P	10.00	14.60	10.40
A2014WR-SF-08P	14.00	18.60	14.40

Unit:mm



A
B
C
F
ST
HRJ
DC



Specifications

- Current rating: 2A AC,DC
- Voltage rating: 250V AC,DC
- Temperature range: -25°C ~ +85°C
- Contact resistance: 20mΩ Max.
- Insulation resistance: 1000MΩ Min.
- Withstanding voltage: 1000V AC/minute

Standards

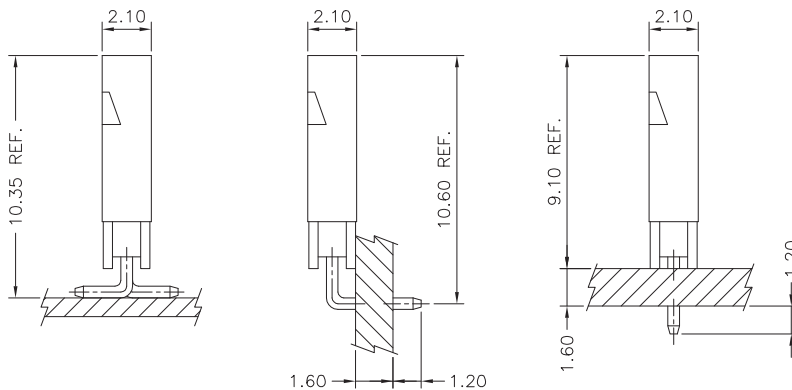


E179987



LR113464

Assembly layout



Ordering code

① ② ③ ④
A2015-G P E

- ① Series No.
- ② Plating code: T=Tin-plated, G=Gold-flash
- ③ Material: P=Phosphor bronze
- ④ E=Stamping before plating

① ② ③
A2015 H-05P

- ① Series No.
- ② H=Housing
- ③ No. of circuits

① ② ③ ④ ⑤ ⑥
A2015 WV A -S-05P 6T

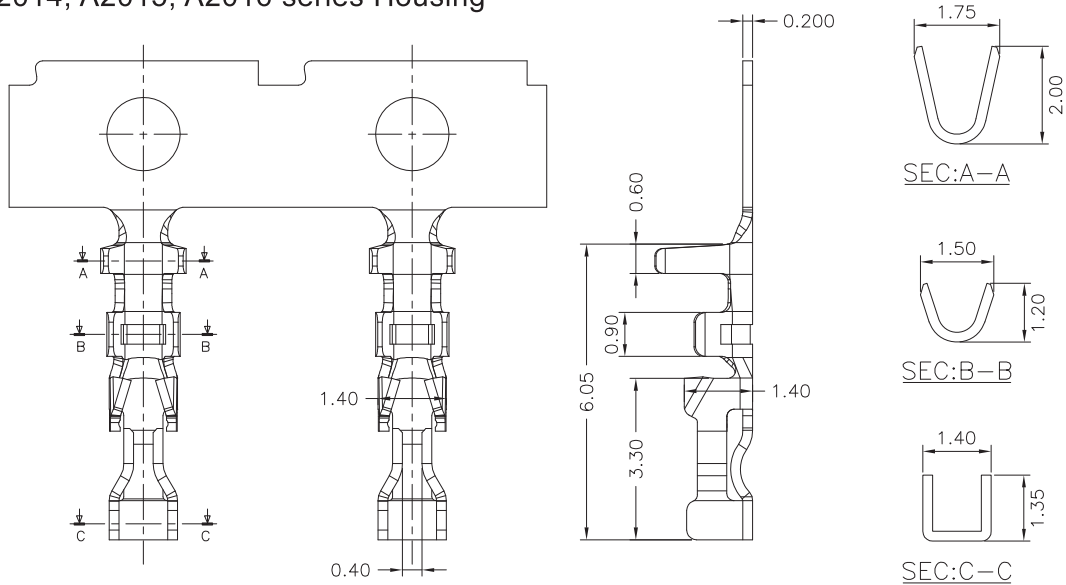
- ① Series No.
- ② Connector type: WV=Vertical, WR=Right angle
- ③ Blank=Normal type
A=Dual body stacking headers or A Type(Right angle type only)
- ④ Mounting type: Blank=Through hole
-S=SMT with boss
- ⑤ No. of circuits
- ⑥ Option code:
6T=Nylon 6T, Black(Through hole type only)

A2015-T

—2.00mm pitch Crimp Terminal—

Reference Informations:

*Used in A2014, A2015, A2016 series Housing



A
B
C
ST
HRJ
DC

Ordering Information & Specifications:

Unit:mm

Part No.	Wire Range	Insulation O.D.	Material	Finish	Qty/reel
A2015-TPE	AWG#26-#30	1.40mm(max)	Phosphor Bronze	Tin-plated	10,000pcs
A2015-GPE	AWG#26-#30	1.40mm(max)	Phosphor Bronze	Gold-flash	10,000pcs

Note:E-Stamping before Tin-plated or Gold-flash

A2015H

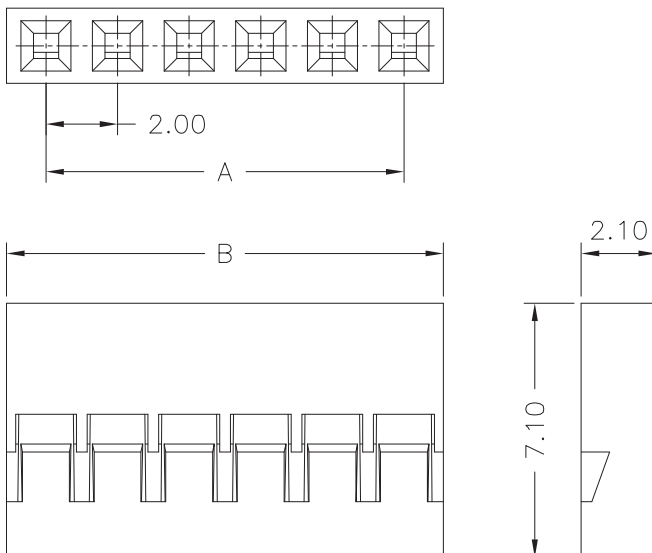
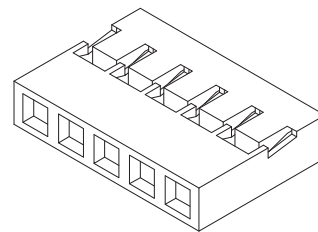
—2.00mm pitch Single Row Housing—

Reference Informations:

*Material: Nylon 66,UL94V-0

*Suitable A2015 series Terminal

*Mates with A2015 series single row Pin Header



Ordering Information & Dimensions:

PART NO.	Dimensions		PART NO.	Dimensions	
	A	B		A	B
A2015H-02P	2.00	4.20	A2015H-17P	32.00	34.20
A2015H-03P	4.00	6.20	A2015H-18P	34.00	36.20
A2015H-04P	6.00	8.20	A2015H-19P	36.00	38.20
A2015H-05P	8.00	10.20	A2015H-20P	38.00	40.20
A2015H-06P	10.00	12.20	A2015H-21P	40.00	42.20
A2015H-07P	12.00	14.20	A2015H-22P	42.00	44.20
A2015H-08P	14.00	16.20	A2015H-23P	44.00	46.20
A2015H-09P	16.00	18.20	A2015H-24P	46.00	48.20
A2015H-10P	18.00	20.20	A2015H-25P	48.00	50.20
A2015H-11P	20.00	22.20	A2015H-26P	50.00	52.20
A2015H-12P	22.00	24.20	A2015H-27P	52.00	54.20
A2015H-13P	24.00	26.20	A2015H-28P	54.00	56.20
A2015H-14P	26.00	28.20	A2015H-29P	56.00	58.20
A2015H-15P	28.00	30.20	A2015H-30P	58.00	60.20
A2015H-16P	30.00	32.20			

Unit:mm

A2015 SERIES

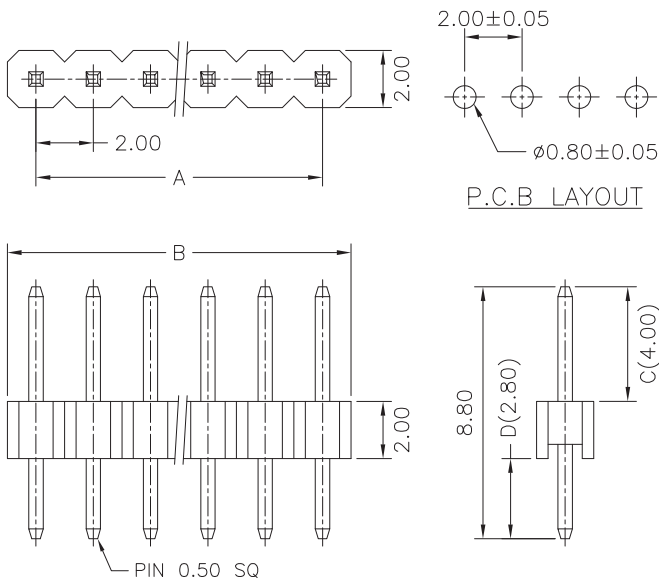
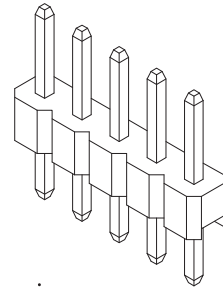
2.00mm pitch wire to board connector

A2015WV

2.00mm pitch 180° Single Row Pin Header

Reference Informations:

- *Material: Pin: Brass/Gold-flash
Wafer: PBT30%GF,UL94V-0
- *Mates with A2015 series single row Housing
- *Optional Dim. available but MOQ requested
- *Nylon 6T is available



Ordering Information & Dimensions:

PART NO.	Dimensions		PART NO.	Dimensions	
	A	B		A	B
A2015WV-02P	2.00	4.00	A2015WV-22P	42.00	44.00
A2015WV-03P	4.00	6.00	A2015WV-23P	44.00	46.00
A2015WV-04P	6.00	8.00	A2015WV-24P	46.00	48.00
A2015WV-05P	8.00	10.00	A2015WV-25P	48.00	50.00
A2015WV-06P	10.00	12.00	A2015WV-26P	50.00	52.00
A2015WV-07P	12.00	14.00	A2015WV-27P	52.00	54.00
A2015WV-08P	14.00	16.00	A2015WV-28P	54.00	56.00
A2015WV-09P	16.00	18.00	A2015WV-29P	56.00	58.00
A2015WV-10P	18.00	20.00	A2015WV-30P	58.00	60.00
A2015WV-11P	20.00	22.00	A2015WV-31P	60.00	62.00
A2015WV-12P	22.00	24.00	A2015WV-32P	62.00	64.00
A2015WV-13P	24.00	26.00	A2015WV-33P	64.00	66.00
A2015WV-14P	26.00	28.00	A2015WV-34P	66.00	68.00
A2015WV-15P	28.00	30.00	A2015WV-35P	68.00	70.00
A2015WV-16P	30.00	32.00	A2015WV-36P	70.00	72.00
A2015WV-17P	32.00	34.00	A2015WV-37P	72.00	74.00
A2015WV-18P	34.00	36.00	A2015WV-38P	74.00	76.00
A2015WV-19P	36.00	38.00	A2015WV-39P	76.00	78.00
A2015WV-20P	38.00	40.00	A2015WV-40P	78.00	80.00
A2015WV-21P	40.00	42.00			

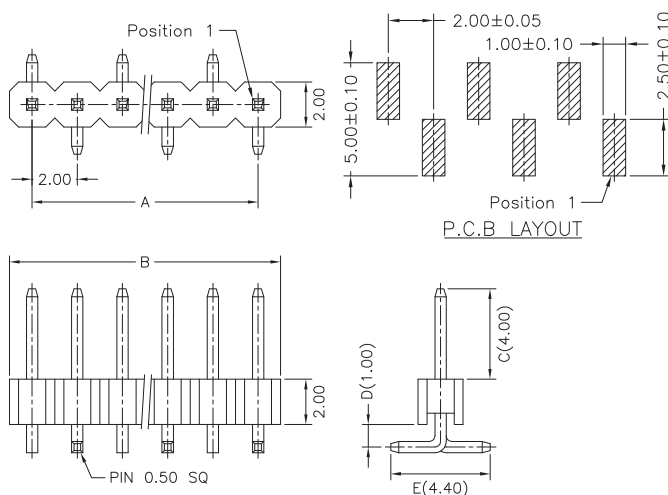
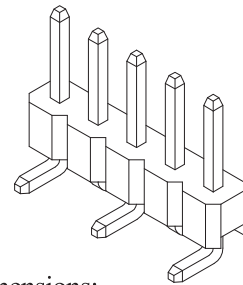
Unit:mm

A2015WV-S

2.00mm pitch 180° Single Row Pin Header - SMT TYPE

Reference Informations:

- *Material: Pin: Brass/Gold-flash
Wafer: Nylon 6T,UL94V-0
- *Mates with A2015 series single row Housing
- *Optional Dim. available but MOQ requested



Ordering Information & Dimensions:

PART NO.	Dimensions		PART NO.	Dimensions	
	A	B		A	B
A2015WV-S-02P	2.00	4.00	A2015WV-S-22P	42.00	44.00
A2015WV-S-03P	4.00	6.00	A2015WV-S-23P	44.00	46.00
A2015WV-S-04P	6.00	8.00	A2015WV-S-24P	46.00	48.00
A2015WV-S-05P	8.00	10.00	A2015WV-S-25P	48.00	50.00
A2015WV-S-06P	10.00	12.00	A2015WV-S-26P	50.00	52.00
A2015WV-S-07P	12.00	14.00	A2015WV-S-27P	52.00	54.00
A2015WV-S-08P	14.00	16.00	A2015WV-S-28P	54.00	56.00
A2015WV-S-09P	16.00	18.00	A2015WV-S-29P	56.00	58.00
A2015WV-S-10P	18.00	20.00	A2015WV-S-30P	58.00	60.00
A2015WV-S-11P	20.00	22.00	A2015WV-S-31P	60.00	62.00
A2015WV-S-12P	22.00	24.00	A2015WV-S-32P	62.00	64.00
A2015WV-S-13P	24.00	26.00	A2015WV-S-33P	64.00	66.00
A2015WV-S-14P	26.00	28.00	A2015WV-S-34P	66.00	68.00
A2015WV-S-15P	28.00	30.00	A2015WV-S-35P	68.00	70.00
A2015WV-S-16P	30.00	32.00	A2015WV-S-36P	70.00	72.00
A2015WV-S-17P	32.00	34.00	A2015WV-S-37P	72.00	74.00
A2015WV-S-18P	34.00	36.00	A2015WV-S-38P	74.00	76.00
A2015WV-S-19P	36.00	38.00	A2015WV-S-39P	76.00	78.00
A2015WV-S-20P	38.00	40.00	A2015WV-S-40P	78.00	80.00
A2015WV-S-21P	40.00	42.00			

Unit:mm

A2015 SERIES

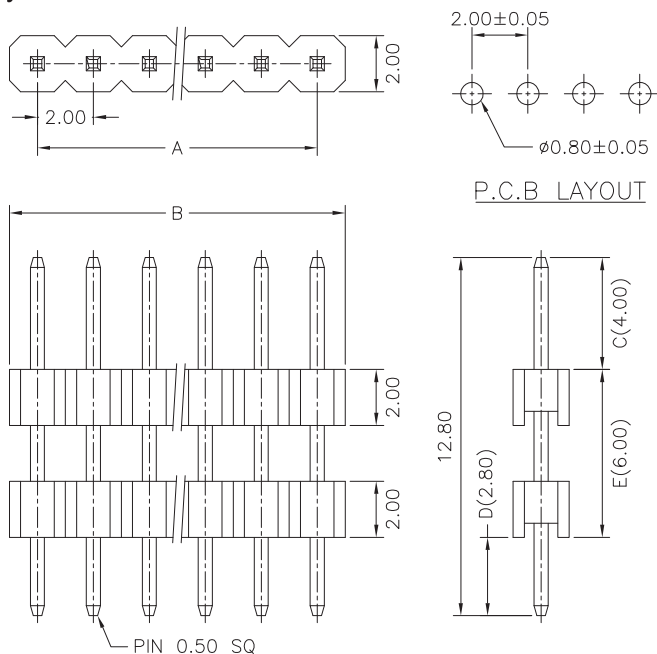
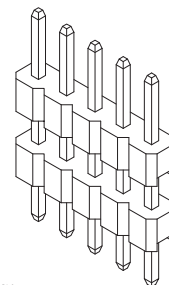
2.00mm pitch wire to board connector

A2015WVA

2.00mm pitch 180° Single Row Pin Header

Reference Informations:

- *Material: Pin: Brass/Gold-flash
Wafer: PBT30%GF,UL94V-0
- *Optional Dim. available but MOQ requested
- *Nylon 6T is available



Ordering Information & Dimensions:

PART NO.	Dimensions		PART NO.	Dimensions	
	A	B		A	B
A2015WVA-02P	2.00	4.00	A2015WVA-22P	42.00	44.00
A2015WVA-03P	4.00	6.00	A2015WVA-23P	44.00	46.00
A2015WVA-04P	6.00	8.00	A2015WVA-24P	46.00	48.00
A2015WVA-05P	8.00	10.00	A2015WVA-25P	48.00	50.00
A2015WVA-06P	10.00	12.00	A2015WVA-26P	50.00	52.00
A2015WVA-07P	12.00	14.00	A2015WVA-27P	52.00	54.00
A2015WVA-08P	14.00	16.00	A2015WVA-28P	54.00	56.00
A2015WVA-09P	16.00	18.00	A2015WVA-29P	56.00	58.00
A2015WVA-10P	18.00	20.00	A2015WVA-30P	58.00	60.00
A2015WVA-11P	20.00	22.00	A2015WVA-31P	60.00	62.00
A2015WVA-12P	22.00	24.00	A2015WVA-32P	62.00	64.00
A2015WVA-13P	24.00	26.00	A2015WVA-33P	64.00	66.00
A2015WVA-14P	26.00	28.00	A2015WVA-34P	66.00	68.00
A2015WVA-15P	28.00	30.00	A2015WVA-35P	68.00	70.00
A2015WVA-16P	30.00	32.00	A2015WVA-36P	70.00	72.00
A2015WVA-17P	32.00	34.00	A2015WVA-37P	72.00	74.00
A2015WVA-18P	34.00	36.00	A2015WVA-38P	74.00	76.00
A2015WVA-19P	36.00	38.00	A2015WVA-39P	76.00	78.00
A2015WVA-20P	38.00	40.00	A2015WVA-40P	78.00	80.00
A2015WVA-21P	40.00	42.00			

Unit:mm

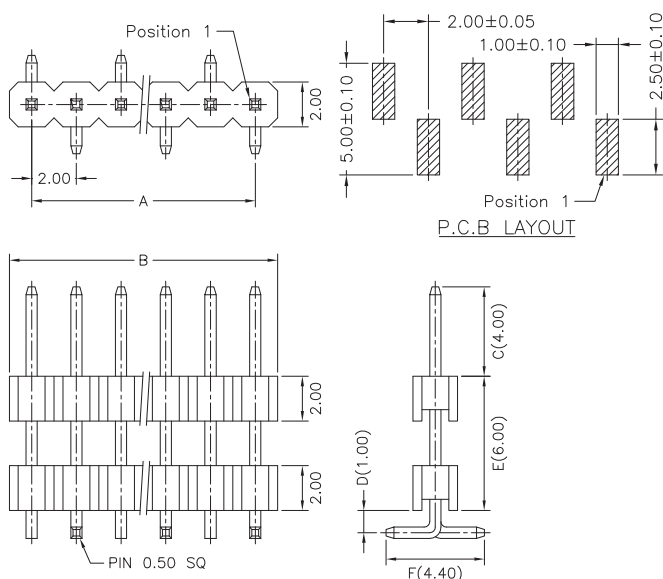
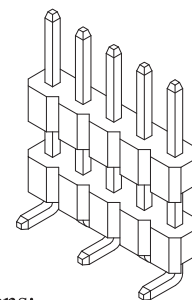
A
B
C
F
ST
HRJ
DC

A2015WVA-S

2.00mm pitch 180° Single Row Pin Header - SMT TYPE

Reference Informations:

- *Material: Pin: Brass/Gold-flash
Wafer: Nylon 6T,UL94V-0
- *Optional Dim. available but MOQ requested



Ordering Information & Dimensions:

PART NO.	Dimensions		PART NO.	Dimensions	
	A	B		A	B
A2015WVA-S-02P	2.00	4.00	A2015WVA-S-22P	42.00	44.00
A2015WVA-S-03P	4.00	6.00	A2015WVA-S-23P	44.00	46.00
A2015WVA-S-04P	6.00	8.00	A2015WVA-S-24P	46.00	48.00
A2015WVA-S-05P	8.00	10.00	A2015WVA-S-25P	48.00	50.00
A2015WVA-S-06P	10.00	12.00	A2015WVA-S-26P	50.00	52.00
A2015WVA-S-07P	12.00	14.00	A2015WVA-S-27P	52.00	54.00
A2015WVA-S-08P	14.00	16.00	A2015WVA-S-28P	54.00	56.00
A2015WVA-S-09P	16.00	18.00	A2015WVA-S-29P	56.00	58.00
A2015WVA-S-10P	18.00	20.00	A2015WVA-S-30P	58.00	60.00
A2015WVA-S-11P	20.00	22.00	A2015WVA-S-31P	60.00	62.00
A2015WVA-S-12P	22.00	24.00	A2015WVA-S-32P	62.00	64.00
A2015WVA-S-13P	24.00	26.00	A2015WVA-S-33P	64.00	66.00
A2015WVA-S-14P	26.00	28.00	A2015WVA-S-34P	66.00	68.00
A2015WVA-S-15P	28.00	30.00	A2015WVA-S-35P	68.00	70.00
A2015WVA-S-16P	30.00	32.00	A2015WVA-S-36P	70.00	72.00
A2015WVA-S-17P	32.00	34.00	A2015WVA-S-37P	72.00	74.00
A2015WVA-S-18P	34.00	36.00	A2015WVA-S-38P	74.00	76.00
A2015WVA-S-19P	36.00	38.00	A2015WVA-S-39P	76.00	78.00
A2015WVA-S-20P	38.00	40.00	A2015WVA-S-40P	78.00	80.00
A2015WVA-S-21P	40.00	42.00			

Unit:mm

A2015 SERIES

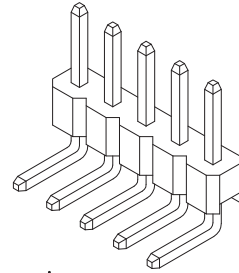
2.00mm pitch wire to board connector

A2015WR

2.00mm pitch 90° Single Row Pin Header

Reference Informations:

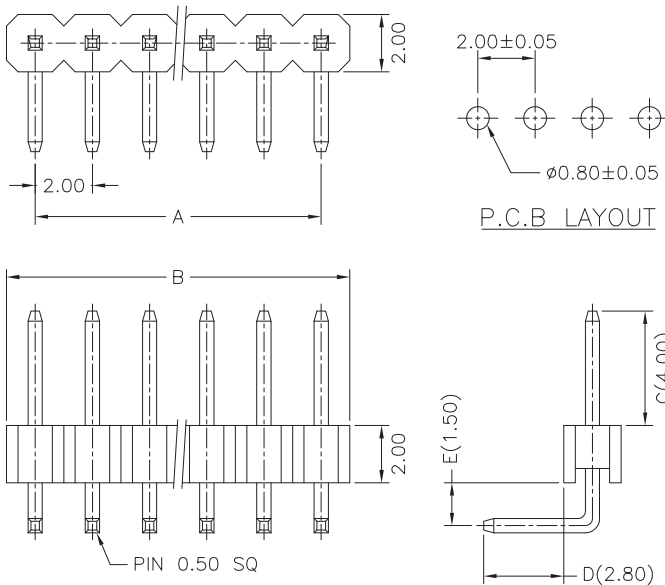
- *Material: Pin: Brass/Gold-flash
Wafer: PBT30%GF,UL94V-0
- *Mates with A2015 series single row Housing
- *Optional Dim. available but MOQ requested
- *Nylon 6T is available



Ordering Information & Dimensions:

PART NO.	Dimensions		PART NO.	Dimensions	
	A	B		A	B
A2015WR-02P	2.00	4.00	A2015WR-22P	42.00	44.00
A2015WR-03P	4.00	6.00	A2015WR-23P	44.00	46.00
A2015WR-04P	6.00	8.00	A2015WR-24P	46.00	48.00
A2015WR-05P	8.00	10.00	A2015WR-25P	48.00	50.00
A2015WR-06P	10.00	12.00	A2015WR-26P	50.00	52.00
A2015WR-07P	12.00	14.00	A2015WR-27P	52.00	54.00
A2015WR-08P	14.00	16.00	A2015WR-28P	54.00	56.00
A2015WR-09P	16.00	18.00	A2015WR-29P	56.00	58.00
A2015WR-10P	18.00	20.00	A2015WR-30P	58.00	60.00
A2015WR-11P	20.00	22.00	A2015WR-31P	60.00	62.00
A2015WR-12P	22.00	24.00	A2015WR-32P	62.00	64.00
A2015WR-13P	24.00	26.00	A2015WR-33P	64.00	66.00
A2015WR-14P	26.00	28.00	A2015WR-34P	66.00	68.00
A2015WR-15P	28.00	30.00	A2015WR-35P	68.00	70.00
A2015WR-16P	30.00	32.00	A2015WR-36P	70.00	72.00
A2015WR-17P	32.00	34.00	A2015WR-37P	72.00	74.00
A2015WR-18P	34.00	36.00	A2015WR-38P	74.00	76.00
A2015WR-19P	36.00	38.00	A2015WR-39P	76.00	78.00
A2015WR-20P	38.00	40.00	A2015WR-40P	78.00	80.00
A2015WR-21P	40.00	42.00			

Unit:mm

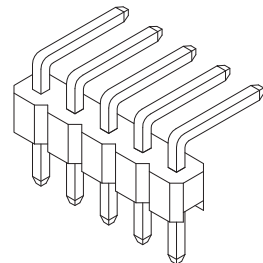


A2015WRA

2.00mm pitch 90° Single Row Pin Header

Reference Informations:

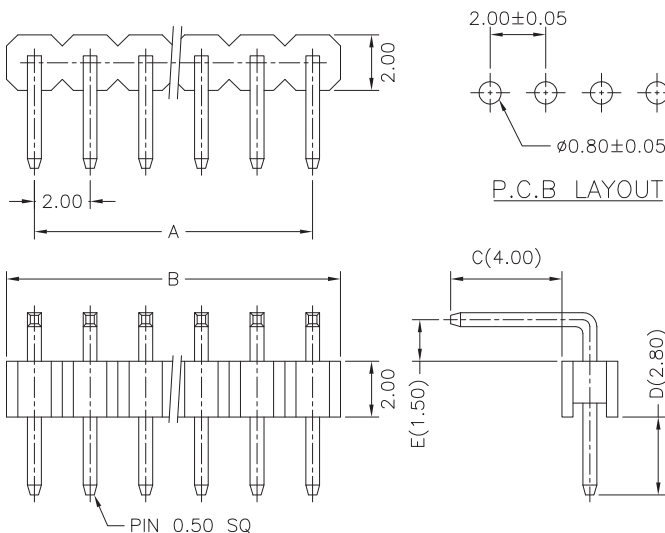
- *Material: Pin: Brass/Gold-flash
Wafer: PBT30%GF,UL94V-0
- *Mates with A2015 series single row Housing
- *Optional Dim. available but MOQ requested
- *Nylon 6T is available

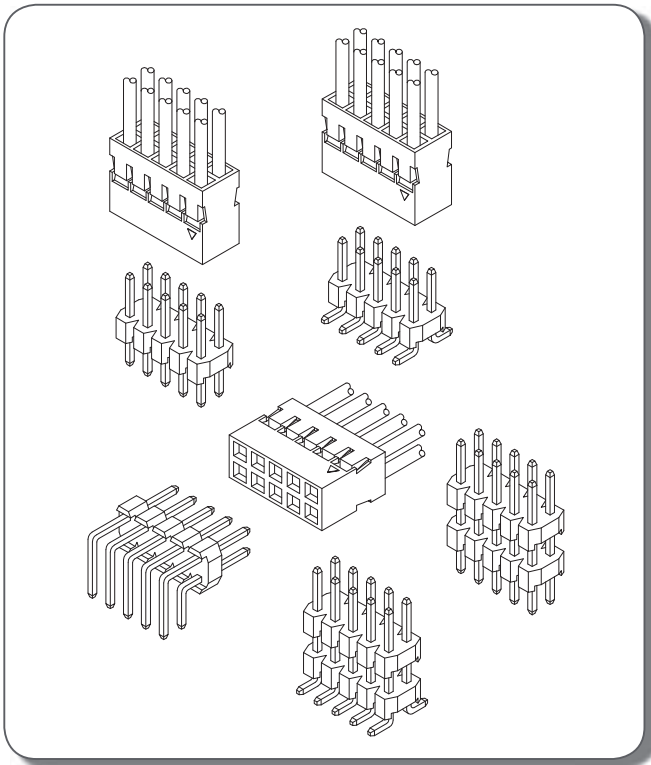


Ordering Information & Dimensions:

PART NO.	Dimensions		PART NO.	Dimensions	
	A	B		A	B
A2015WRA-02P	2.00	4.00	A2015WRA-22P	42.00	44.00
A2015WRA-03P	4.00	6.00	A2015WRA-23P	44.00	46.00
A2015WRA-04P	6.00	8.00	A2015WRA-24P	46.00	48.00
A2015WRA-05P	8.00	10.00	A2015WRA-25P	48.00	50.00
A2015WRA-06P	10.00	12.00	A2015WRA-26P	50.00	52.00
A2015WRA-07P	12.00	14.00	A2015WRA-27P	52.00	54.00
A2015WRA-08P	14.00	16.00	A2015WRA-28P	54.00	56.00
A2015WRA-09P	16.00	18.00	A2015WRA-29P	56.00	58.00
A2015WRA-10P	18.00	20.00	A2015WRA-30P	58.00	60.00
A2015WRA-11P	20.00	22.00	A2015WRA-31P	60.00	62.00
A2015WRA-12P	22.00	24.00	A2015WRA-32P	62.00	64.00
A2015WRA-13P	24.00	26.00	A2015WRA-33P	64.00	66.00
A2015WRA-14P	26.00	28.00	A2015WRA-34P	66.00	68.00
A2015WRA-15P	28.00	30.00	A2015WRA-35P	68.00	70.00
A2015WRA-16P	30.00	32.00	A2015WRA-36P	70.00	72.00
A2015WRA-17P	32.00	34.00	A2015WRA-37P	72.00	74.00
A2015WRA-18P	34.00	36.00	A2015WRA-38P	74.00	76.00
A2015WRA-19P	36.00	38.00	A2015WRA-39P	76.00	78.00
A2015WRA-20P	38.00	40.00	A2015WRA-40P	78.00	80.00
A2015WRA-21P	40.00	42.00			

Unit:mm





Specifications

Current rating: 2A AC,DC
 Voltage rating: 250V AC,DC
 Temperature range: -25°C ~ +85°C
 Contact resistance: 20mΩ Max.
 Insulation resistance: 1000MΩ Min.
 Withstanding voltage: 1000V AC/minute

A
B
C
F
ST
HRJ
DC

Standards

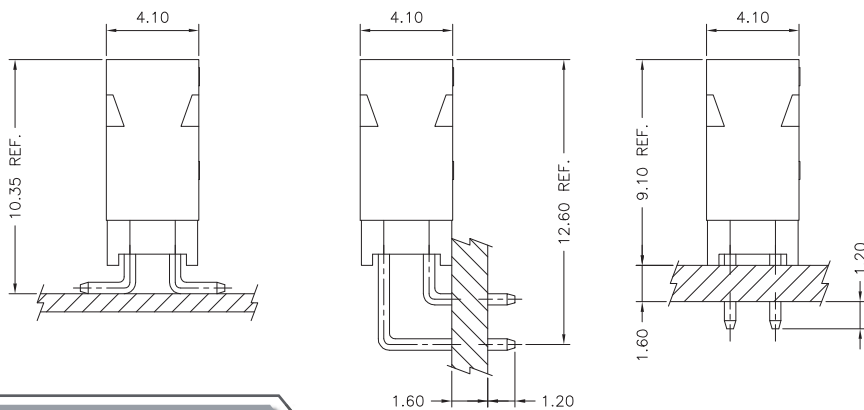


E179987



LR113464

Assembly layout



Ordering code

① A2016 ② H ③ -N- ④ 2X ⑤ 05P ⑥ -A

- ① Series No.
- ② H=Housing
- ③ Blank=Normal type, -N=With nose
- ④ 2X=Dual row
- ⑤ No. of circuits
- ⑥ Option code:
 -A=A Type
 -B=B Type
 -C=C Type
 -D=D Type

① A2016 ② WV ③ A ④ -S- ⑤ 2X ⑥ 05P ⑦ 6T

- ① Series No.
- ② Connector type: WV=Vertical, WR=Right angle
- ③ Blank=Normal type
 A=Dual body stacking headers
- ④ Mounting type: Blank=Through hole
 -S=SMT without boss
- ⑤ 2X=Dual row
- ⑥ No. of circuits
- ⑦ Option code:
 6T=Nylon 6T, Black(Through hole type only)

A2016 SERIES

2.00mm pitch wire to board connector

A2016H-2

—2.00mm pitch Dual Row Housing

Reference Informations:

- *Material: Nylon 66,UL94V-0
- *Suitable A2015 series Terminal
- *Mates with A2016 series dual row Pin Header or A2017 series dual row Box Header

	A2016H-2X05P	N	0	B	NP	N	00	G
		①	②	③	④	⑤	⑥	⑦

① N=Halogen Free
② Material: 0=Nylon 66-V0
③ Color: B=Black
④ Plating code: NP=Non-plating
⑤ Plating code: N=Non-plating
⑥ Option code: 00=Standard
⑦ Packing code: G=Bag

Ordering Information & Dimensions:

PART NO.	Dimensions		PART NO.	Dimensions	
	A	B		A	B
A2016H-2X02P	2.00	4.20	A2016H-2X22P	42.00	44.20
A2016H-2X03P	4.00	6.20	A2016H-2X23P	44.00	46.20
A2016H-2X04P	6.00	8.20	A2016H-2X24P	46.00	48.20
A2016H-2X05P	8.00	10.20	A2016H-2X25P	48.00	50.20
A2016H-2X06P	10.00	12.20	A2016H-2X26P	50.00	52.20
A2016H-2X07P	12.00	14.20	A2016H-2X27P	52.00	54.20
A2016H-2X08P	14.00	16.20	A2016H-2X28P	54.00	56.20
A2016H-2X09P	16.00	18.20	A2016H-2X29P	56.00	58.20
A2016H-2X10P	18.00	20.20	A2016H-2X30P	58.00	60.20
A2016H-2X11P	20.00	22.20	A2016H-2X31P	60.00	62.20
A2016H-2X12P	22.00	24.20	A2016H-2X32P	62.00	64.20
A2016H-2X13P	24.00	26.20	A2016H-2X33P	64.00	66.20
A2016H-2X14P	26.00	28.20	A2016H-2X34P	66.00	68.20
A2016H-2X15P	28.00	30.20	A2016H-2X35P	68.00	70.20
A2016H-2X16P	30.00	32.20	A2016H-2X36P	70.00	72.20
A2016H-2X17P	32.00	34.20	A2016H-2X37P	72.00	74.20
A2016H-2X18P	34.00	36.20	A2016H-2X38P	74.00	76.20
A2016H-2X19P	36.00	38.20	A2016H-2X39P	76.00	78.20
A2016H-2X20P	38.00	40.20	A2016H-2X40P	78.00	80.20
A2016H-2X21P	40.00	42.20			

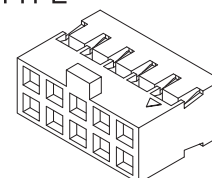
Unit:mm

A2016H-N-2

—2.00mm pitch Dual Row Housing - A TYPE

Reference Informations:

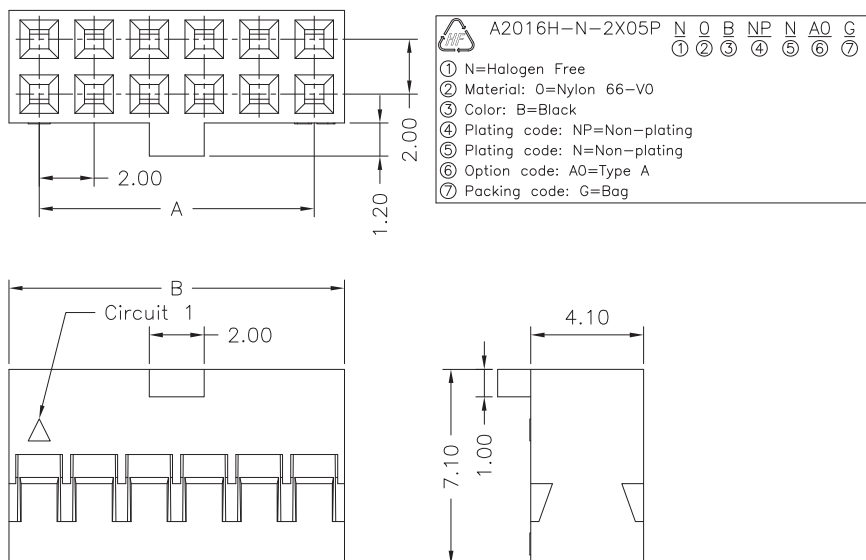
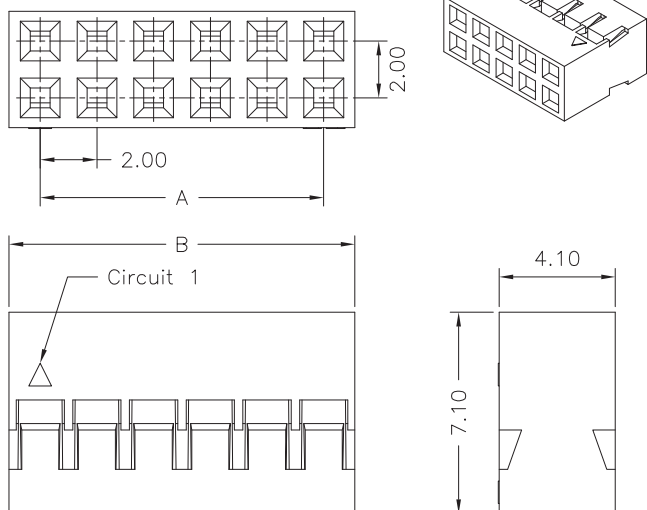
- *Material: Nylon 66,UL94V-0
- *Suitable A2015 series Terminal
- *Mates with A2016 series dual row Pin Header or A2017 series dual row Box Header



Ordering Information & Dimensions:

PART NO.	Dimensions	
	A	B
A2016H-N-2X02P-A	2.00	4.20
A2016H-N-2X03P-A	4.00	6.20
A2016H-N-2X04P-A	6.00	8.20
A2016H-N-2X05P-A	8.00	10.20
A2016H-N-2X06P-A	10.00	12.20
A2016H-N-2X07P-A	12.00	14.20
A2016H-N-2X08P-A	14.00	16.20
A2016H-N-2X09P-A	16.00	18.20
A2016H-N-2X10P-A	18.00	20.20
A2016H-N-2X11P-A	20.00	22.20
A2016H-N-2X12P-A	22.00	24.20
A2016H-N-2X13P-A	24.00	26.20
A2016H-N-2X14P-A	26.00	28.20
A2016H-N-2X15P-A	28.00	30.20
A2016H-N-2X16P-A	30.00	32.20
A2016H-N-2X17P-A	32.00	34.20
A2016H-N-2X18P-A	34.00	36.20
A2016H-N-2X19P-A	36.00	38.20
A2016H-N-2X20P-A	38.00	40.20
A2016H-N-2X21P-A	40.00	42.20
A2016H-N-2X22P-A	42.00	44.20
A2016H-N-2X23P-A	44.00	46.20
A2016H-N-2X24P-A	46.00	48.20
A2016H-N-2X25P-A	48.00	50.20

Unit:mm



	A2016H-N-2X05P	N	0	B	NP	N	A0	G
		①	②	③	④	⑤	⑥	⑦

① N=Halogen Free
② Material: 0=Nylon 66-V0
③ Color: B=Black
④ Plating code: NP=Non-plating
⑤ Plating code: N=Non-plating
⑥ Option code: A0=Type A
⑦ Packing code: G=Bag

A2016 SERIES

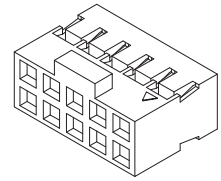
2.00mm pitch wire to board connector

A2016H-N-2

2.00mm pitch Dual Row Housing - B TYPE

Reference Informations:

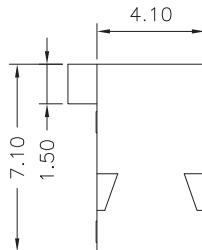
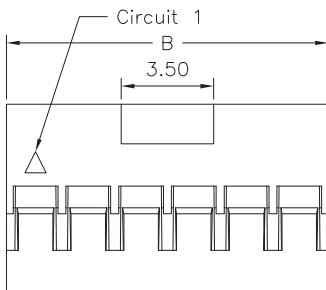
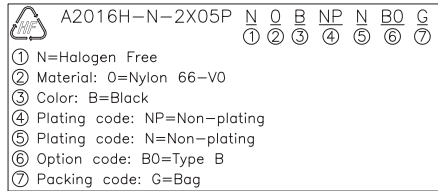
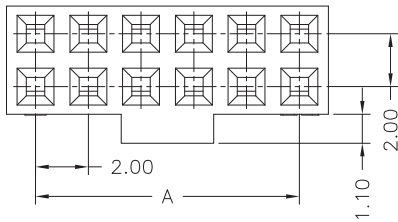
- *Material: Nylon 66,UL94V-0
- *Suitable A2015 series Terminal
- *Mates with A2016 series dual row Pin Header or A2017 series dual row Box Header



Ordering Information & Dimensions:

PART NO.	Dimensions	
	A	B
A2016H-N-2X02P-B	2.00	4.20
A2016H-N-2X03P-B	4.00	6.20
A2016H-N-2X04P-B	6.00	8.20
A2016H-N-2X05P-B	8.00	10.20
A2016H-N-2X06P-B	10.00	12.20
A2016H-N-2X07P-B	12.00	14.20
A2016H-N-2X08P-B	14.00	16.20
A2016H-N-2X09P-B	16.00	18.20
A2016H-N-2X10P-B	18.00	20.20
A2016H-N-2X11P-B	20.00	22.20
A2016H-N-2X12P-B	22.00	24.20
A2016H-N-2X13P-B	24.00	26.20
A2016H-N-2X14P-B	26.00	28.20
A2016H-N-2X15P-B	28.00	30.20
A2016H-N-2X16P-B	30.00	32.20
A2016H-N-2X17P-B	32.00	34.20
A2016H-N-2X18P-B	34.00	36.20
A2016H-N-2X19P-B	36.00	38.20
A2016H-N-2X20P-B	38.00	40.20
A2016H-N-2X21P-B	40.00	42.20
A2016H-N-2X22P-B	42.00	44.20
A2016H-N-2X23P-B	44.00	46.20
A2016H-N-2X24P-B	46.00	48.20
A2016H-N-2X25P-B	48.00	50.20

Unit:mm

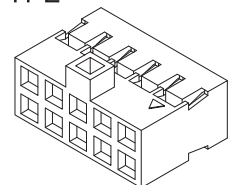


A2016H-N-2

2.00mm pitch Dual Row Housing - C TYPE

Reference Informations:

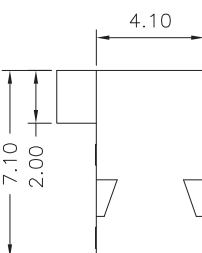
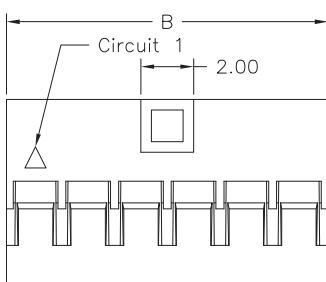
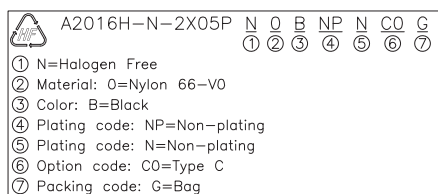
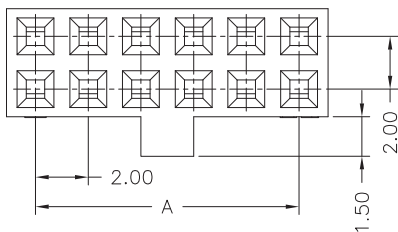
- *Material: Nylon 66,UL94V-0
- *Suitable A2015 series Terminal
- *Mates with A2016 series dual row Pin Header or A2017 series dual row Box Header



Ordering Information & Dimensions:

PART NO.	Dimensions	
	A	B
A2016H-N-2X02P-C	2.00	4.20
A2016H-N-2X03P-C	4.00	6.20
A2016H-N-2X04P-C	6.00	8.20
A2016H-N-2X05P-C	8.00	10.20
A2016H-N-2X06P-C	10.00	12.20
A2016H-N-2X07P-C	12.00	14.20
A2016H-N-2X08P-C	14.00	16.20
A2016H-N-2X09P-C	16.00	18.20
A2016H-N-2X10P-C	18.00	20.20
A2016H-N-2X11P-C	20.00	22.20
A2016H-N-2X12P-C	22.00	24.20
A2016H-N-2X13P-C	24.00	26.20
A2016H-N-2X14P-C	26.00	28.20
A2016H-N-2X15P-C	28.00	30.20
A2016H-N-2X16P-C	30.00	32.20
A2016H-N-2X17P-C	32.00	34.20
A2016H-N-2X18P-C	34.00	36.20
A2016H-N-2X19P-C	36.00	38.20
A2016H-N-2X20P-C	38.00	40.20
A2016H-N-2X21P-C	40.00	42.20
A2016H-N-2X22P-C	42.00	44.20
A2016H-N-2X23P-C	44.00	46.20
A2016H-N-2X24P-C	46.00	48.20
A2016H-N-2X25P-C	48.00	50.20

Unit:mm



A
B
C
F
ST
HRJ
DC

A2016 SERIES

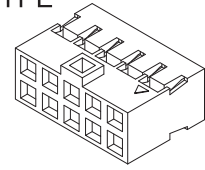
2.00mm pitch wire to board connector

A2016H-N-2

2.00mm pitch Dual Row Housing - D TYPE

Reference Informations:

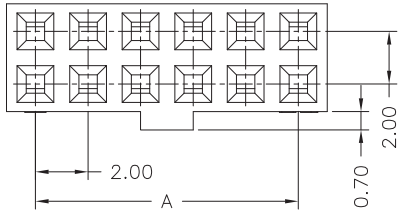
- *Material: Nylon 66,UL94V-0
- *Suitable A2015 series Terminal
- *Mates with A2016 series dual row Pin Header or A2017 series dual row Box Header



Ordering Information & Dimensions:

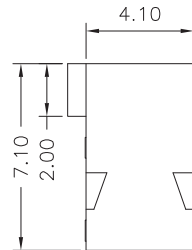
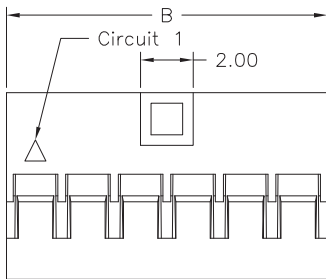
PART NO.	Dimensions	
	A	B
A2016H-N-2X02P-D	2.00	4.20
A2016H-N-2X03P-D	4.00	6.20
A2016H-N-2X04P-D	6.00	8.20
A2016H-N-2X05P-D	8.00	10.20
A2016H-N-2X06P-D	10.00	12.20
A2016H-N-2X07P-D	12.00	14.20
A2016H-N-2X08P-D	14.00	16.20
A2016H-N-2X09P-D	16.00	18.20
A2016H-N-2X10P-D	18.00	20.20
A2016H-N-2X11P-D	20.00	22.20
A2016H-N-2X12P-D	22.00	24.20
A2016H-N-2X13P-D	24.00	26.20
A2016H-N-2X14P-D	26.00	28.20
A2016H-N-2X15P-D	28.00	30.20
A2016H-N-2X16P-D	30.00	32.20
A2016H-N-2X17P-D	32.00	34.20
A2016H-N-2X18P-D	34.00	36.20
A2016H-N-2X19P-D	36.00	38.20
A2016H-N-2X20P-D	38.00	40.20
A2016H-N-2X21P-D	40.00	42.20
A2016H-N-2X22P-D	42.00	44.20
A2016H-N-2X23P-D	44.00	46.20
A2016H-N-2X24P-D	46.00	48.20
A2016H-N-2X25P-D	48.00	50.20

Unit:mm



	A2016H-N-2X05P						
	N	O	B	NP	N	DO	G
①	②	③	④	⑤	⑥	⑦	

① N=Halogen Free
 ② Material: O=Nylon 66-V0
 ③ Color: B=Black
 ④ Plating code: NP=Non-plating
 ⑤ Plating code: N=Non-plating
 ⑥ Option code: DO=Type D
 ⑦ Packing code: G=Bag

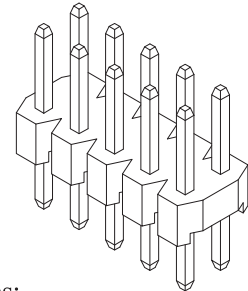


A2016WV-2

2.00mm pitch 180° Dual Row Pin Header

Reference Informations:

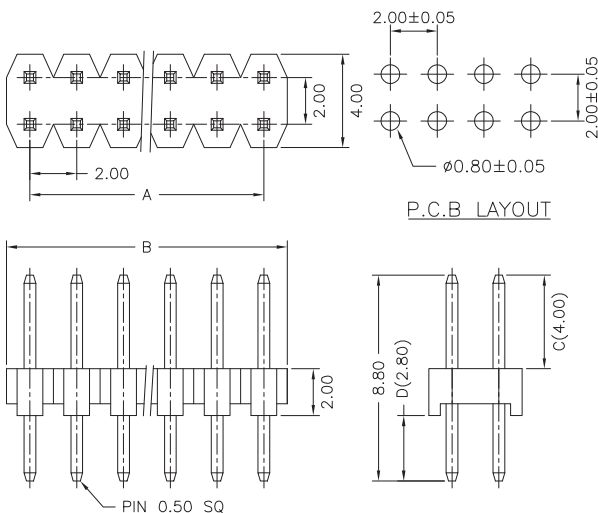
- *Material: Pin: Brass/Gold-flash
Wafer: PBT30%GF,UL94V-0
- *Mates with A2016 series dual row Housing
- *Optional Dim. available but MOQ requested
- *Nylon 6T is available



Ordering Information & Dimensions:

PART NO.	Dimensions		PART NO.	Dimensions	
	A	B		A	B
A2016WV-2X02P	2.00	4.00	A2016WV-2X22P	42.00	44.00
A2016WV-2X03P	4.00	6.00	A2016WV-2X23P	44.00	46.00
A2016WV-2X04P	6.00	8.00	A2016WV-2X24P	46.00	48.00
A2016WV-2X05P	8.00	10.00	A2016WV-2X25P	48.00	50.00
A2016WV-2X06P	10.00	12.00	A2016WV-2X26P	50.00	52.00
A2016WV-2X07P	12.00	14.00	A2016WV-2X27P	52.00	54.00
A2016WV-2X08P	14.00	16.00	A2016WV-2X28P	54.00	56.00
A2016WV-2X09P	16.00	18.00	A2016WV-2X29P	56.00	58.00
A2016WV-2X10P	18.00	20.00	A2016WV-2X30P	58.00	60.00
A2016WV-2X11P	20.00	22.00	A2016WV-2X31P	60.00	62.00
A2016WV-2X12P	22.00	24.00	A2016WV-2X32P	62.00	64.00
A2016WV-2X13P	24.00	26.00	A2016WV-2X33P	64.00	66.00
A2016WV-2X14P	26.00	28.00	A2016WV-2X34P	66.00	68.00
A2016WV-2X15P	28.00	30.00	A2016WV-2X35P	68.00	70.00
A2016WV-2X16P	30.00	32.00	A2016WV-2X36P	70.00	72.00
A2016WV-2X17P	32.00	34.00	A2016WV-2X37P	72.00	74.00
A2016WV-2X18P	34.00	36.00	A2016WV-2X38P	74.00	76.00
A2016WV-2X19P	36.00	38.00	A2016WV-2X39P	76.00	78.00
A2016WV-2X20P	38.00	40.00	A2016WV-2X40P	78.00	80.00
A2016WV-2X21P	40.00	42.00			

Unit:mm



A2016 SERIES

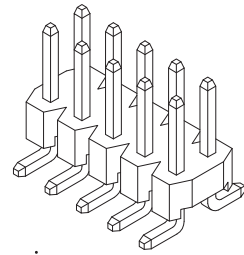
2.00mm pitch wire to board connector

A2016WV-S-2

2.00mm pitch 180° Dual Row Pin Header - SMT TYPE

Reference Informations:

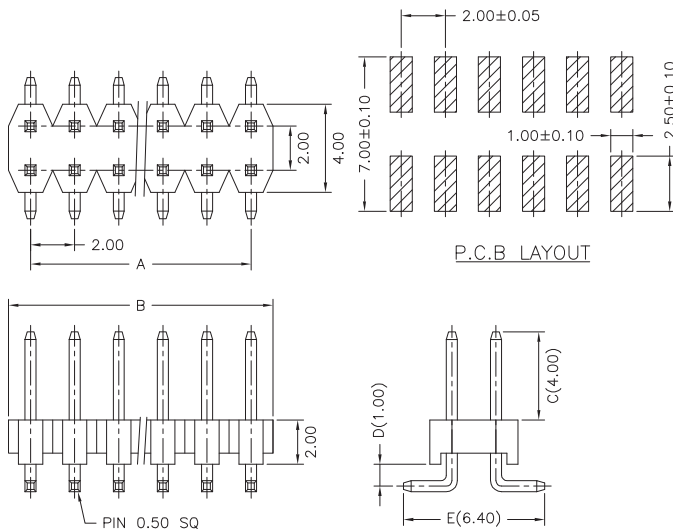
- *Material: Pin: Brass/Gold-flash
Wafer: Nylon 6T,UL94V-0
- *Mates with A2016 series dual row Housing
- *Optional Dim. available but MOQ requested



Ordering Information & Dimensions:

PART NO.	Dimensions		PART NO.	Dimensions	
	A	B		A	B
A2016WV-S-2X02P	2.00	4.00	A2016WV-S-2X22P	42.00	44.00
A2016WV-S-2X03P	4.00	6.00	A2016WV-S-2X23P	44.00	46.00
A2016WV-S-2X04P	6.00	8.00	A2016WV-S-2X24P	46.00	48.00
A2016WV-S-2X05P	8.00	10.00	A2016WV-S-2X25P	48.00	50.00
A2016WV-S-2X06P	10.00	12.00	A2016WV-S-2X26P	50.00	52.00
A2016WV-S-2X07P	12.00	14.00	A2016WV-S-2X27P	52.00	54.00
A2016WV-S-2X08P	14.00	16.00	A2016WV-S-2X28P	54.00	56.00
A2016WV-S-2X09P	16.00	18.00	A2016WV-S-2X29P	56.00	58.00
A2016WV-S-2X10P	18.00	20.00	A2016WV-S-2X30P	58.00	60.00
A2016WV-S-2X11P	20.00	22.00	A2016WV-S-2X31P	60.00	62.00
A2016WV-S-2X12P	22.00	24.00	A2016WV-S-2X32P	62.00	64.00
A2016WV-S-2X13P	24.00	26.00	A2016WV-S-2X33P	64.00	66.00
A2016WV-S-2X14P	26.00	28.00	A2016WV-S-2X34P	66.00	68.00
A2016WV-S-2X15P	28.00	30.00	A2016WV-S-2X35P	68.00	70.00
A2016WV-S-2X16P	30.00	32.00	A2016WV-S-2X36P	70.00	72.00
A2016WV-S-2X17P	32.00	34.00	A2016WV-S-2X37P	72.00	74.00
A2016WV-S-2X18P	34.00	36.00	A2016WV-S-2X38P	74.00	76.00
A2016WV-S-2X19P	36.00	38.00	A2016WV-S-2X39P	76.00	78.00
A2016WV-S-2X20P	38.00	40.00	A2016WV-S-2X40P	78.00	80.00
A2016WV-S-2X21P	40.00	42.00			

Unit:mm



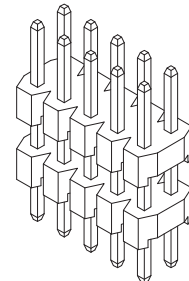
A
B
C
F
ST
HRJ
DC

A2016WVA-2

2.00mm pitch 180° Dual Row Pin Header

Reference Informations:

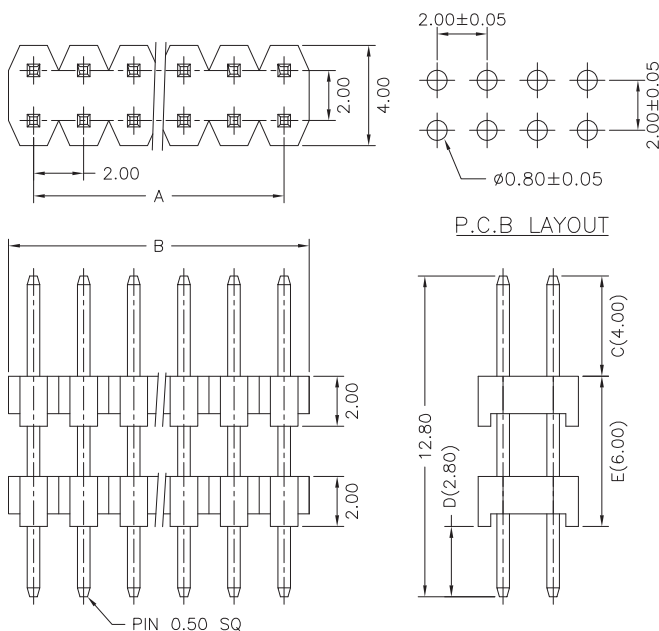
- *Material: Pin: Brass/Gold-flash
Wafer: PBT30%GF,UL94V-0
- *Optional Dim. available but MOQ requested
- *Nylon 6T is available



Ordering Information & Dimensions:

PART NO.	Dimensions		PART NO.	Dimensions	
	A	B		A	B
A2016WVA-2X02P	2.00	4.00	A2016WVA-2X22P	42.00	44.00
A2016WVA-2X03P	4.00	6.00	A2016WVA-2X23P	44.00	46.00
A2016WVA-2X04P	6.00	8.00	A2016WVA-2X24P	46.00	48.00
A2016WVA-2X05P	8.00	10.00	A2016WVA-2X25P	48.00	50.00
A2016WVA-2X06P	10.00	12.00	A2016WVA-2X26P	50.00	52.00
A2016WVA-2X07P	12.00	14.00	A2016WVA-2X27P	52.00	54.00
A2016WVA-2X08P	14.00	16.00	A2016WVA-2X28P	54.00	56.00
A2016WVA-2X09P	16.00	18.00	A2016WVA-2X29P	56.00	58.00
A2016WVA-2X10P	18.00	20.00	A2016WVA-2X30P	58.00	60.00
A2016WVA-2X11P	20.00	22.00	A2016WVA-2X31P	60.00	62.00
A2016WVA-2X12P	22.00	24.00	A2016WVA-2X32P	62.00	64.00
A2016WVA-2X13P	24.00	26.00	A2016WVA-2X33P	64.00	66.00
A2016WVA-2X14P	26.00	28.00	A2016WVA-2X34P	66.00	68.00
A2016WVA-2X15P	28.00	30.00	A2016WVA-2X35P	68.00	70.00
A2016WVA-2X16P	30.00	32.00	A2016WVA-2X36P	70.00	72.00
A2016WVA-2X17P	32.00	34.00	A2016WVA-2X37P	72.00	74.00
A2016WVA-2X18P	34.00	36.00	A2016WVA-2X38P	74.00	76.00
A2016WVA-2X19P	36.00	38.00	A2016WVA-2X39P	76.00	78.00
A2016WVA-2X20P	38.00	40.00	A2016WVA-2X40P	78.00	80.00
A2016WVA-2X21P	40.00	42.00			

Unit:mm



A2016 SERIES

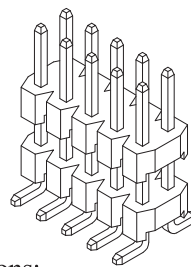
2.00mm pitch wire to board connector

A2016WVA-S-2

2.00mm pitch 180° Dual Row Pin Header - SMT TYPE

Reference Informations:

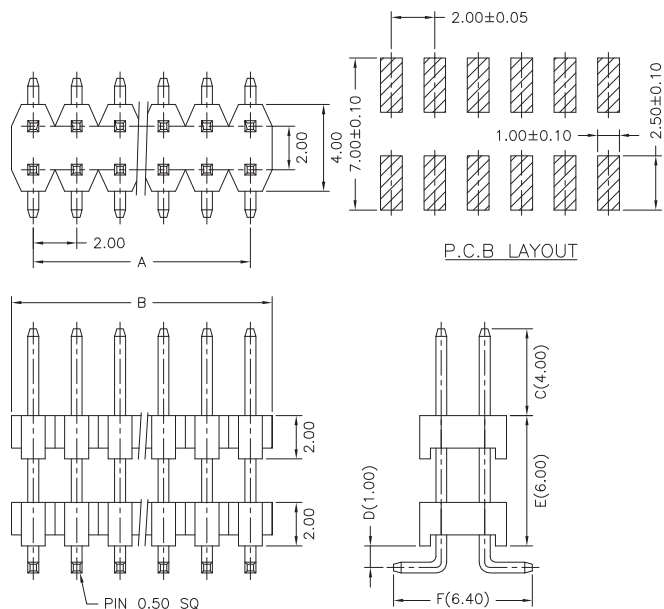
- *Material: Pin: Brass/Gold-flash
Wafer: Nylon 6T,UL94V-0
- *Optional Dim. available but MOQ requested



Ordering Information & Dimensions:

PART NO.	Dimensions		PART NO.	Dimensions	
	A	B		A	B
A2016WVA-S-2X02P	2.00	4.00	A2016WVA-S-2X22P	42.00	44.00
A2016WVA-S-2X03P	4.00	6.00	A2016WVA-S-2X23P	44.00	46.00
A2016WVA-S-2X04P	6.00	8.00	A2016WVA-S-2X24P	46.00	48.00
A2016WVA-S-2X05P	8.00	10.00	A2016WVA-S-2X25P	48.00	50.00
A2016WVA-S-2X06P	10.00	12.00	A2016WVA-S-2X26P	50.00	52.00
A2016WVA-S-2X07P	12.00	14.00	A2016WVA-S-2X27P	52.00	54.00
A2016WVA-S-2X08P	14.00	16.00	A2016WVA-S-2X28P	54.00	56.00
A2016WVA-S-2X09P	16.00	18.00	A2016WVA-S-2X29P	56.00	58.00
A2016WVA-S-2X10P	18.00	20.00	A2016WVA-S-2X30P	58.00	60.00
A2016WVA-S-2X11P	20.00	22.00	A2016WVA-S-2X31P	60.00	62.00
A2016WVA-S-2X12P	22.00	24.00	A2016WVA-S-2X32P	62.00	64.00
A2016WVA-S-2X13P	24.00	26.00	A2016WVA-S-2X33P	64.00	66.00
A2016WVA-S-2X14P	26.00	28.00	A2016WVA-S-2X34P	66.00	68.00
A2016WVA-S-2X15P	28.00	30.00	A2016WVA-S-2X35P	68.00	70.00
A2016WVA-S-2X16P	30.00	32.00	A2016WVA-S-2X36P	70.00	72.00
A2016WVA-S-2X17P	32.00	34.00	A2016WVA-S-2X37P	72.00	74.00
A2016WVA-S-2X18P	34.00	36.00	A2016WVA-S-2X38P	74.00	76.00
A2016WVA-S-2X19P	36.00	38.00	A2016WVA-S-2X39P	76.00	78.00
A2016WVA-S-2X20P	38.00	40.00	A2016WVA-S-2X40P	78.00	80.00
A2016WVA-S-2X21P	40.00	42.00			

Unit:mm



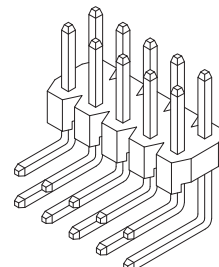
A
B
C
F
ST
HRJ
DC

A2016WR-2

2.00mm pitch 90° Dual Row Pin Header

Reference Informations:

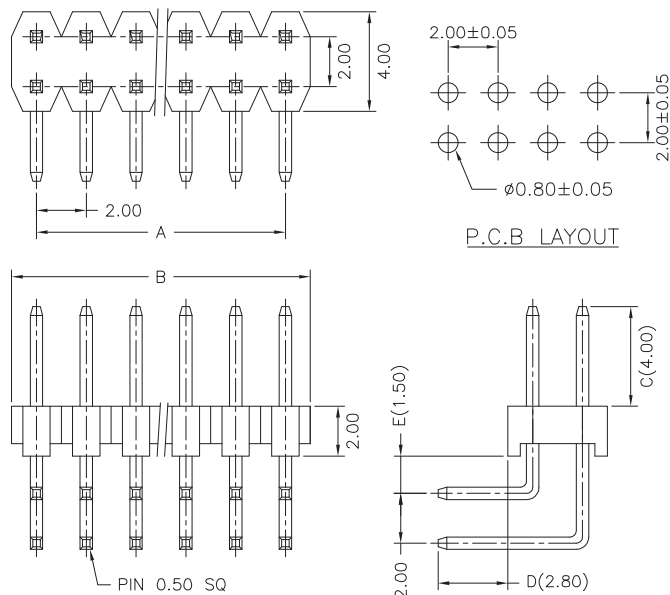
- *Material: Pin: Brass/Gold-flash
Wafer: PBT30%GF,UL94V-0
- *Mates with A2016 series dual row Housing
- *Optional Dim. available but MOQ requested
- *Nylon 6T is available

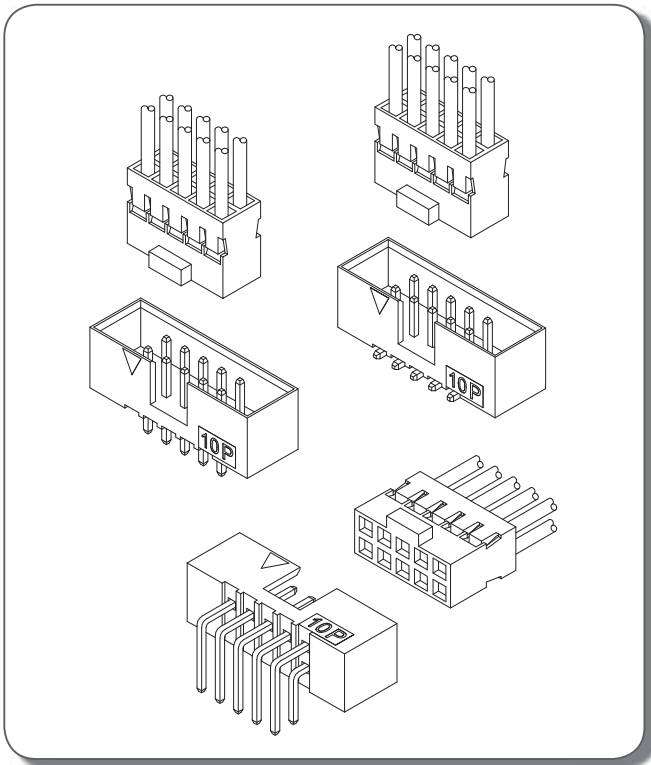


Ordering Information & Dimensions:

PART NO.	Dimensions		PART NO.	Dimensions	
	A	B		A	B
A2016WR-2X02P	2.00	4.00	A2016WR-2X22P	42.00	44.00
A2016WR-2X03P	4.00	6.00	A2016WR-2X23P	44.00	46.00
A2016WR-2X04P	6.00	8.00	A2016WR-2X24P	46.00	48.00
A2016WR-2X05P	8.00	10.00	A2016WR-2X25P	48.00	50.00
A2016WR-2X06P	10.00	12.00	A2016WR-2X26P	50.00	52.00
A2016WR-2X07P	12.00	14.00	A2016WR-2X27P	52.00	54.00
A2016WR-2X08P	14.00	16.00	A2016WR-2X28P	54.00	56.00
A2016WR-2X09P	16.00	18.00	A2016WR-2X29P	56.00	58.00
A2016WR-2X10P	18.00	20.00	A2016WR-2X30P	58.00	60.00
A2016WR-2X11P	20.00	22.00	A2016WR-2X31P	60.00	62.00
A2016WR-2X12P	22.00	24.00	A2016WR-2X32P	62.00	64.00
A2016WR-2X13P	24.00	26.00	A2016WR-2X33P	64.00	66.00
A2016WR-2X14P	26.00	28.00	A2016WR-2X34P	66.00	68.00
A2016WR-2X15P	28.00	30.00	A2016WR-2X35P	68.00	70.00
A2016WR-2X16P	30.00	32.00	A2016WR-2X36P	70.00	72.00
A2016WR-2X17P	32.00	34.00	A2016WR-2X37P	72.00	74.00
A2016WR-2X18P	34.00	36.00	A2016WR-2X38P	74.00	76.00
A2016WR-2X19P	36.00	38.00	A2016WR-2X39P	76.00	78.00
A2016WR-2X20P	38.00	40.00	A2016WR-2X40P	78.00	80.00
A2016WR-2X21P	40.00	42.00			

Unit:mm



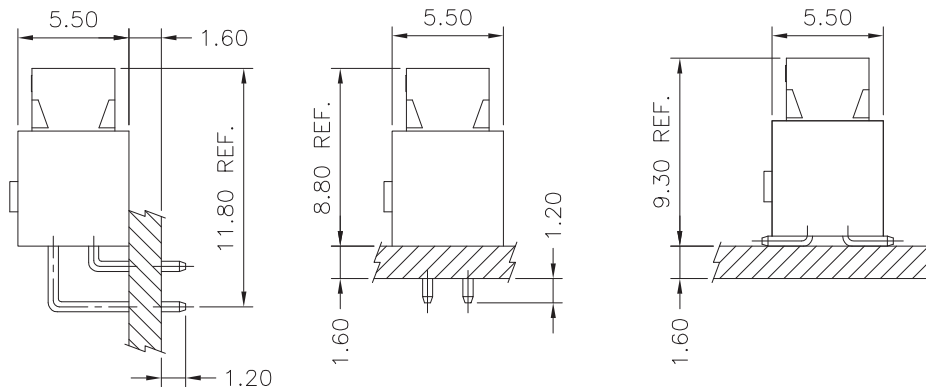


Specifications

Current rating: 2A AC,DC
 Voltage rating: 250V AC,DC
 Temperature range: -25°C ~ +85°C
 Contact resistance: 20mΩ Max.
 Insulation resistance: 1000MΩ Min.
 Withstanding voltage: 1000V AC/minute

A
B
C
F
ST
HRJ
DC

Assembly layout



Ordering code

① A2017 ② WV ③ -S- ④ 2X ⑤ 05P

- ① Series No.
- ② Connector type: WV=Vertical, WR=Right angle
- ③ Mounting type: Blank=Through hole
-S=SMT without boss
- ④ 2X=Dual row
- ⑤ No. of circuits



A2017 SERIES

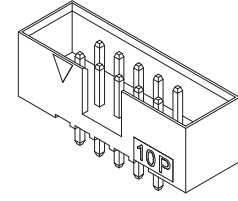
2.00mm pitch wire to board connector

A2017WV-2

2.00mm pitch 180° Box Header

Reference Informations:

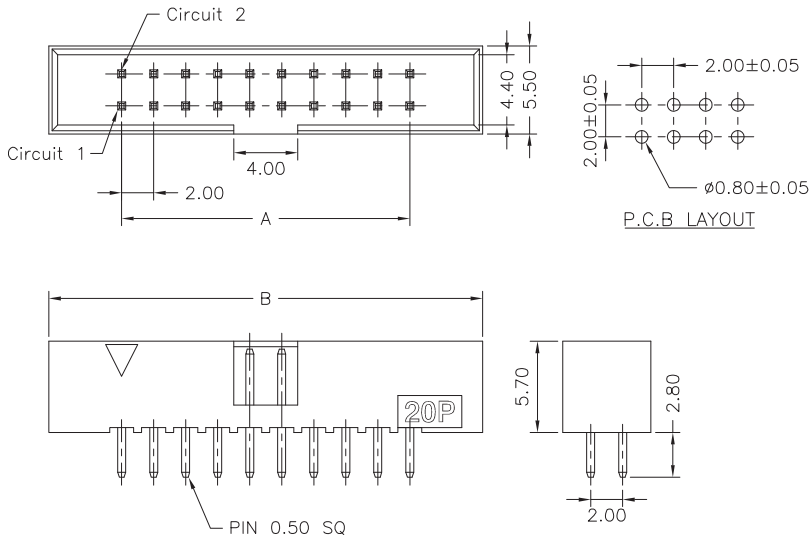
- *Material: Pin: Brass/Gold-flash
Wafer: Nylon 6T,UL94V-0
- *Mates with A2016 series dual row Housing



Ordering Information & Dimensions:

PART NO.	Dimensions	
	A	B
A2017WV-2X05P	8.00	17.10
A2017WV-2X06P	10.00	19.10
A2017WV-2X07P	12.00	21.10
A2017WV-2X08P	14.00	23.10
A2017WV-2X10P	18.00	27.10
A2017WV-2X11P	20.00	29.10
A2017WV-2X12P	22.00	31.10
A2017WV-2X13P	24.00	33.10
A2017WV-2X15P	28.00	37.10
A2017WV-2X17P	32.00	41.10
A2017WV-2X20P	38.00	47.10
A2017WV-2X22P	42.00	51.10
A2017WV-2X24P	46.00	55.10
A2017WV-2X25P	48.00	57.10
A2017WV-2X30P	58.00	67.10
A2017WV-2X32P	62.00	71.10

Unit:mm

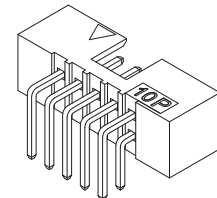


A2017WR-2

2.00mm pitch 90° Box Header

Reference Informations:

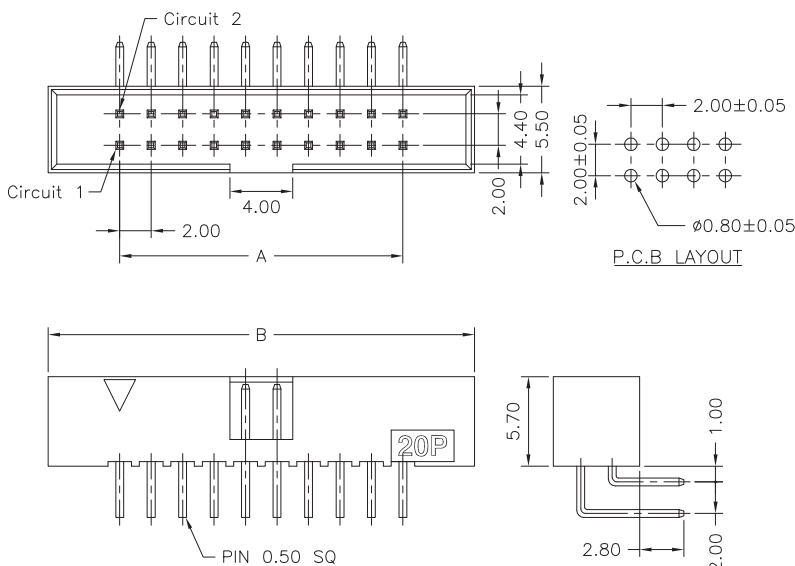
- *Material: Pin: Brass/Gold-flash
Wafer: Nylon 6T,UL94V-0
- *Mates with A2016 series dual row Housing



Ordering Information & Dimensions:

PART NO.	Dimensions	
	A	B
A2017WR-2X05P	8.00	17.10
A2017WR-2X06P	10.00	19.10
A2017WR-2X07P	12.00	21.10
A2017WR-2X08P	14.00	23.10
A2017WR-2X10P	18.00	27.10
A2017WR-2X11P	20.00	29.10
A2017WR-2X12P	22.00	31.10
A2017WR-2X13P	24.00	33.10
A2017WR-2X15P	28.00	37.10
A2017WR-2X17P	32.00	41.10
A2017WR-2X20P	38.00	47.10
A2017WR-2X22P	42.00	51.10
A2017WR-2X24P	46.00	55.10
A2017WR-2X25P	48.00	57.10
A2017WR-2X30P	58.00	67.10
A2017WR-2X32P	62.00	71.10

Unit:mm

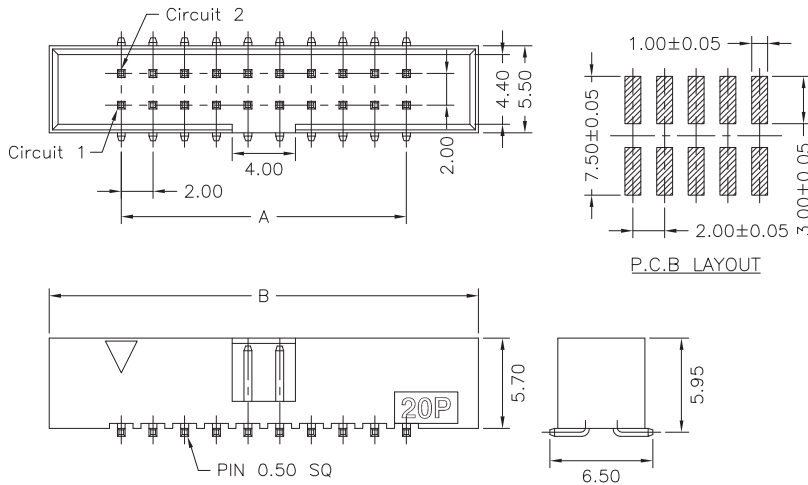
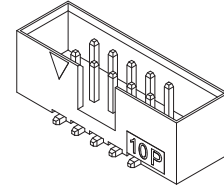


A2017WV-S-2

2.00mm pitch 180° Box Header - SMT TYPE

Reference Informations:

- *Material: Pin: Brass/Gold-flash
Wafer: Nylon 6T,UL94V-0
- *Mates with A2016 series dual row Housing



Ordering Information & Dimensions:

PART NO.	Dimensions	
	A	B
A2017WV-S-2X05P	8.00	17.10
A2017WV-S-2X06P	10.00	19.10
A2017WV-S-2X07P	12.00	21.10
A2017WV-S-2X08P	14.00	23.10
A2017WV-S-2X10P	18.00	27.10
A2017WV-S-2X11P	20.00	29.10
A2017WV-S-2X12P	22.00	31.10
A2017WV-S-2X13P	24.00	33.10
A2017WV-S-2X15P	28.00	37.10
A2017WV-S-2X17P	32.00	41.10
A2017WV-S-2X20P	38.00	47.10
A2017WV-S-2X22P	42.00	51.10
A2017WV-S-2X24P	46.00	55.10
A2017WV-S-2X25P	48.00	57.10
A2017WV-S-2X30P	58.00	67.10
A2017WV-S-2X32P	62.00	71.10

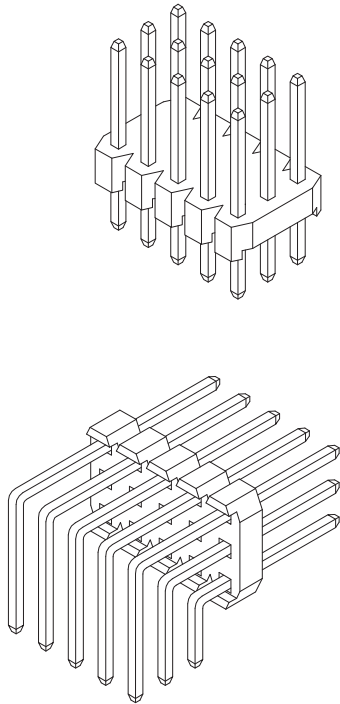
Unit:mm

A
B
C
F
ST
HRJ
DC

*

Specifications

Current rating: 2A AC,DC
Voltage rating: 250V AC,DC
Temperature range: -25°C ~ +85°C
Contact resistance: 20mΩ Max.
Insulation resistance: 1000MΩ Min.
Withstanding voltage: 1000V AC/minute



Ordering code

① A2018 ② WV- ③ 3X ④ 05P

- ① Series No.
- ② Connector type: WV=Vertical, WR=Right angle
- ③ 3X=Triple row
- ④ No. of circuits

A2018 SERIES

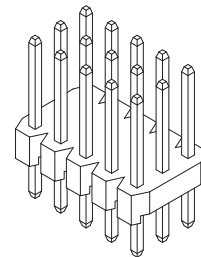
2.00mm pitch wire to board connector

A2018WV-3

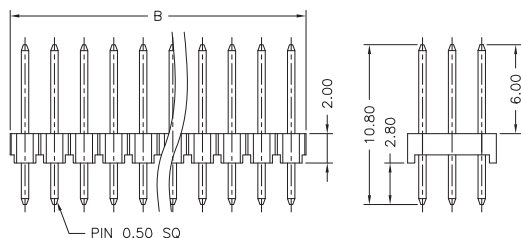
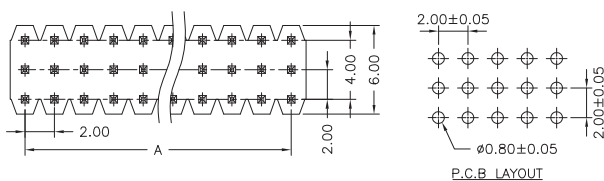
2.00mm pitch 180° Triple Row Pin Header

Reference Informations:

*Material: Pin: Brass/Gold-flash
Wafer: PBT30%GF,UL94V-0



	A2018WV-3X05P	N	P	B	G1	N	00	G	
	①	②	③	④	⑤	⑥	⑦		
	① N=Halogen Free								
	② Material: P=PBT, 0=Nylon 66-V0, 6=Nylon 6T								
	③ Color: B=Black								
	④ Plating code: G1=Gold-flash								
	⑤ Plating code: N=Non-plating								
⑥ Option code: 00=Standard									
⑦ Packing code: G=Bag									



Ordering Information & Dimensions:

PART NO.	Dimensions		PART NO.	Dimensions	
	A	B		A	B
A2018WV-3X04P	6.00	8.00	A2018WV-3X23P	44.00	46.00
A2018WV-3X05P	8.00	10.00	A2018WV-3X24P	46.00	48.00
A2018WV-3X06P	10.00	12.00	A2018WV-3X25P	48.00	50.00
A2018WV-3X07P	12.00	14.00	A2018WV-3X26P	50.00	52.00
A2018WV-3X08P	14.00	16.00	A2018WV-3X27P	52.00	54.00
A2018WV-3X09P	16.00	18.00	A2018WV-3X28P	54.00	56.00
A2018WV-3X10P	18.00	20.00	A2018WV-3X29P	56.00	58.00
A2018WV-3X11P	20.00	22.00	A2018WV-3X30P	58.00	60.00
A2018WV-3X12P	22.00	24.00	A2018WV-3X31P	60.00	62.00
A2018WV-3X13P	24.00	26.00	A2018WV-3X32P	62.00	64.00
A2018WV-3X14P	26.00	28.00	A2018WV-3X33P	64.00	66.00
A2018WV-3X15P	28.00	30.00	A2018WV-3X34P	66.00	68.00
A2018WV-3X16P	30.00	32.00	A2018WV-3X35P	68.00	70.00
A2018WV-3X17P	32.00	34.00	A2018WV-3X36P	70.00	72.00
A2018WV-3X18P	34.00	36.00	A2018WV-3X37P	72.00	74.00
A2018WV-3X19P	36.00	38.00	A2018WV-3X38P	74.00	76.00
A2018WV-3X20P	38.00	40.00	A2018WV-3X39P	76.00	78.00
A2018WV-3X21P	40.00	42.00	A2018WV-3X40P	78.00	80.00
A2018WV-3X22P	42.00	44.00			

Unit:mm

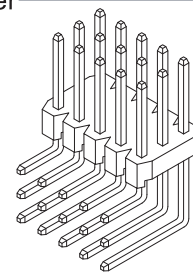
A
B
C
F
ST
HRJ
DC

A2018WR-3

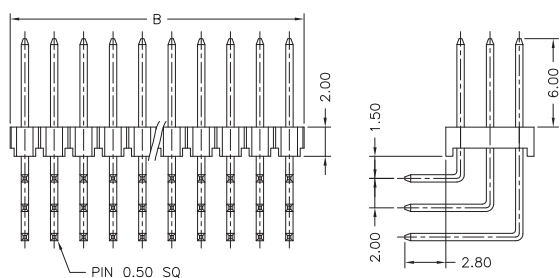
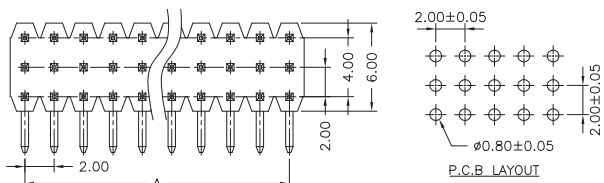
2.00mm pitch 90° Triple Row Pin Header

Reference Informations:

*Material: Pin: Brass/Gold-flash
Wafer: PBT30%GF,UL94V-0



	A2018WR-3X05P	N	P	B	G1	N	00	G	
	①	②	③	④	⑤	⑥	⑦		
	① N=Halogen Free								
	② Material: P=PBT, 0=Nylon 66-V0, 6=Nylon 6T								
	③ Color: B=Black								
	④ Plating code: G1=Gold-flash								
	⑤ Plating code: N=Non-plating								
⑥ Option code: 00=Standard									
⑦ Packing code: G=Bag									



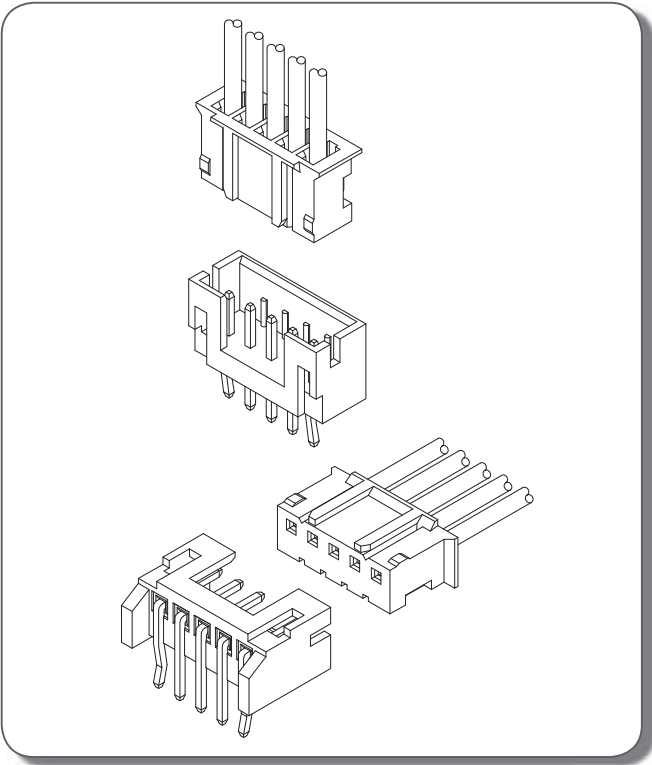
Ordering Information & Dimensions:

PART NO.	Dimensions		PART NO.	Dimensions	
	A	B		A	B
A2018WR-3X04P	6.00	8.00	A2018WR-3X23P	44.00	46.00
A2018WR-3X05P	8.00	10.00	A2018WR-3X24P	46.00	48.00
A2018WR-3X06P	10.00	12.00	A2018WR-3X25P	48.00	50.00
A2018WR-3X07P	12.00	14.00	A2018WR-3X26P	50.00	52.00
A2018WR-3X08P	14.00	16.00	A2018WR-3X27P	52.00	54.00
A2018WR-3X09P	16.00	18.00	A2018WR-3X28P	54.00	56.00
A2018WR-3X10P	18.00	20.00	A2018WR-3X29P	56.00	58.00
A2018WR-3X11P	20.00	22.00	A2018WR-3X30P	58.00	60.00
A2018WR-3X12P	22.00	24.00	A2018WR-3X31P	60.00	62.00
A2018WR-3X13P	24.00	26.00	A2018WR-3X32P	62.00	64.00
A2018WR-3X14P	26.00	28.00	A2018WR-3X33P	64.00	66.00
A2018WR-3X15P	28.00	30.00	A2018WR-3X34P	66.00	68.00
A2018WR-3X16P	30.00	32.00	A2018WR-3X35P	68.00	70.00
A2018WR-3X17P	32.00	34.00	A2018WR-3X36P	70.00	72.00
A2018WR-3X18P	34.00	36.00	A2018WR-3X37P	72.00	74.00
A2018WR-3X19P	36.00	38.00	A2018WR-3X38P	74.00	76.00
A2018WR-3X20P	38.00	40.00	A2018WR-3X39P	76.00	78.00
A2018WR-3X21P	40.00	42.00	A2018WR-3X40P	78.00	80.00
A2018WR-3X22P	42.00	44.00			

Unit:mm

*

A
B
C
F
ST
HRJ
DC



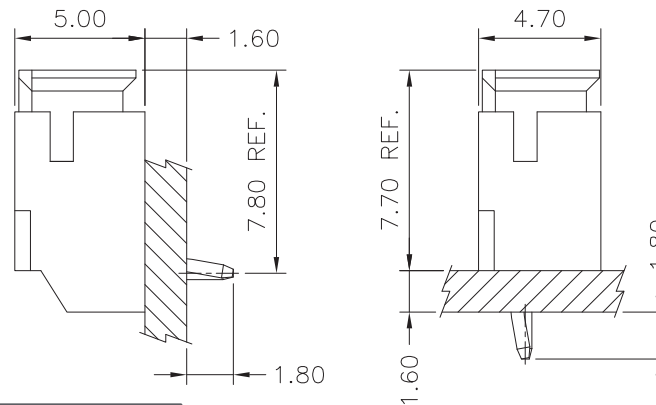
Specifications

Current rating: 3A AC,DC
 Voltage rating: 300V AC,DC
 Temperature range: -25°C ~ +85°C
 Contact resistance: 20mΩ Max.
 Insulation resistance: 100MΩ Min.
 Withstanding voltage: 1000V AC/minute

Standards



Assembly layout



Ordering code

① ② ③ ④
A2100-TPE

- ① Series No.
- ② Plating code: T=Tin-plated
- ③ Material: P=Phosphor bronze
- ④ E=Stamping before plating

① ② ③
A2100H-05P

- ① Series No.
- ② H=Housing
- ③ No. of circuits

① ② ③ ④
A2100WV-05P1

- ① Series No.
- ② Connector type: WV=Vertical, WR=Right angle
- ③ No. of circuits
- ④ Option code:
 1=Type 1, 2=Type 2, 3=Type 3

A2100 SERIES

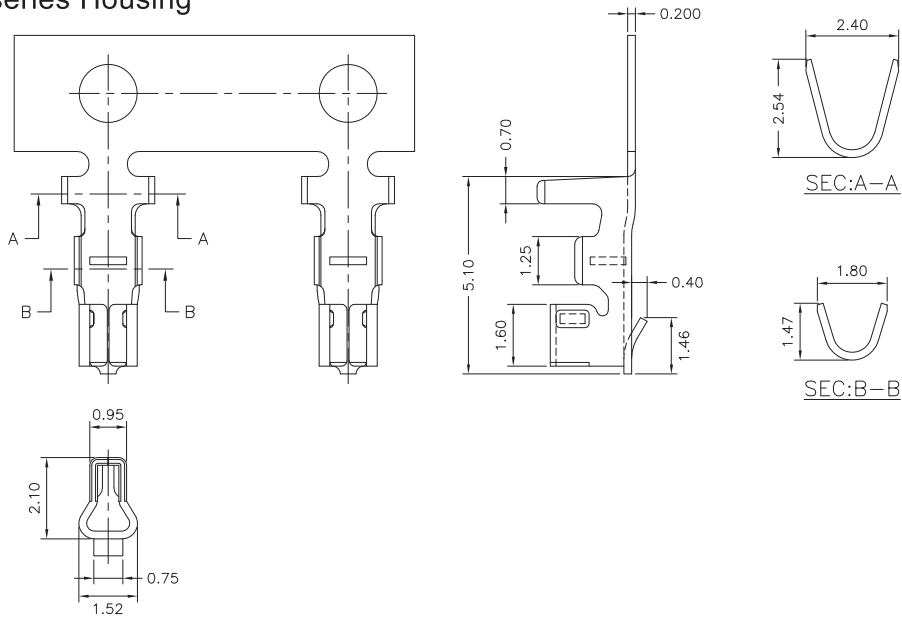
2.00mm pitch wire to board connector

A2100-T

—2.00mm pitch Crimp Terminal

Reference Informations:

*Used in A2100 series Housing



A
B
C
F
ST
HRJ
DC

Ordering Information & Specifications:

Unit:mm

Part No.	Wire Range	Insulation O.D.	Material	Finish	Qty/reel
A2100-TPE	AWG#24-#28	1.50mm(max)	Phosphor Bronze	Tin-plated	10,000pcs

Note:E-Stamping before Tin-plated

A2100H

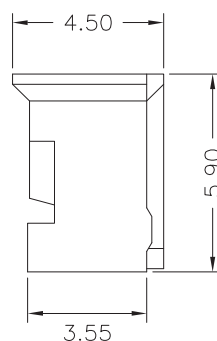
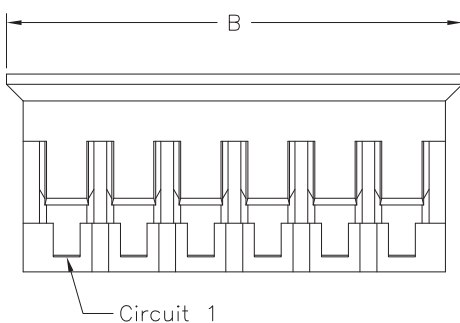
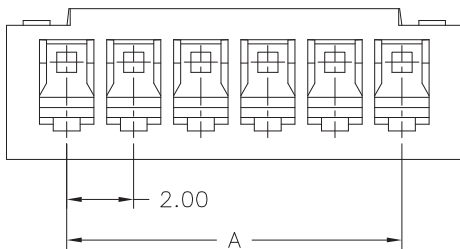
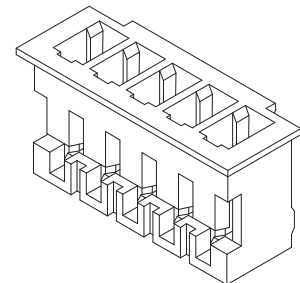
—2.00mm pitch Housing

Reference Informations:

*Material: Nylon 66,UL94V-0

*Suitable A2100 series Terminal

*Mates with A2100 series Wafer



Ordering Information & Dimensions:

PART NO.	Dimensions	
	A	B
A2100H-02P	2.00	5.60
A2100H-03P	4.00	7.60
A2100H-04P	6.00	9.60
A2100H-05P	8.00	11.60
A2100H-06P	10.00	13.60
A2100H-07P	12.00	15.60
A2100H-08P	14.00	17.60
A2100H-09P	16.00	19.60
A2100H-10P	18.00	21.60
A2100H-11P	20.00	23.60
A2100H-12P	22.00	25.60
A2100H-13P	24.00	27.60
A2100H-14P	26.00	29.60
A2100H-15P	28.00	31.60

Unit:mm

A2100 SERIES

2.00mm pitch wire to board connector

A2100WV

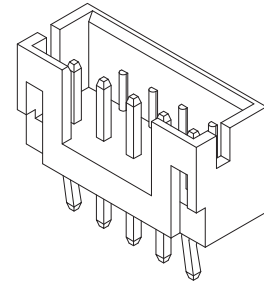
2.00mm pitch 180° Wafer

Reference Informations:

- *Material: Pin: Brass/Tin-plated
Wafer: Nylon 66,UL94V-0
- *Mates with A2100 series Housing

Ordering Information:
A2100WV-XP *

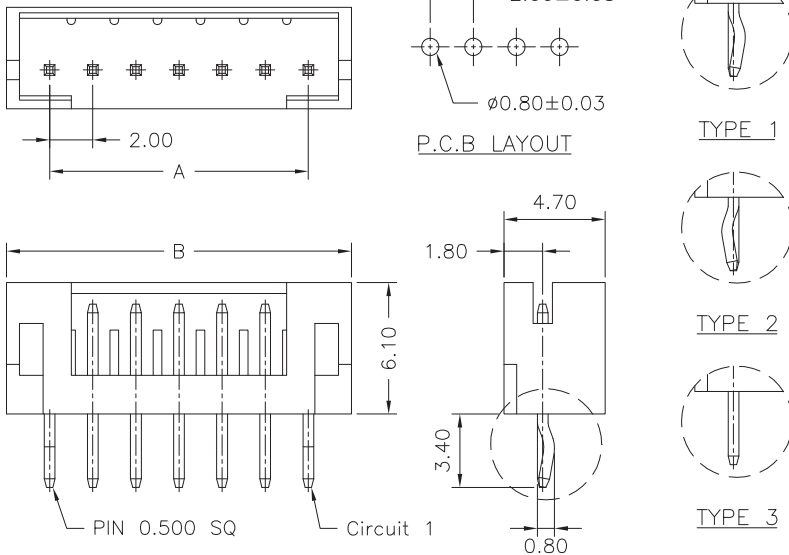
- 1
2
- 1.Part No.
 - 2.Style:
 - 1-Type 1
 - 2-Type 2
 - 3-Type 3



Ordering Information & Dimensions:

PART NO.	Dimensions	
	A	B
A2100WV-02P	2.00	6.00
A2100WV-03P	4.00	8.00
A2100WV-04P	6.00	10.00
A2100WV-05P	8.00	12.00
A2100WV-06P	10.00	14.00
A2100WV-07P	12.00	16.00
A2100WV-08P	14.00	18.00
A2100WV-09P	16.00	20.00
A2100WV-10P	18.00	22.00
A2100WV-11P	20.00	24.00
A2100WV-12P	22.00	26.00
A2100WV-13P	24.00	28.00
A2100WV-14P	26.00	30.00
A2100WV-15P	28.00	32.00

Unit:mm



A2100WR

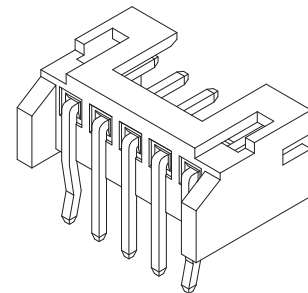
2.00mm pitch 90° Wafer

Reference Informations:

- *Material: Pin: Brass/Tin-plated
Wafer: Nylon 66,UL94V-0
- *Mates with A2100 series Housing

Ordering Information:
A2100WR-XP *

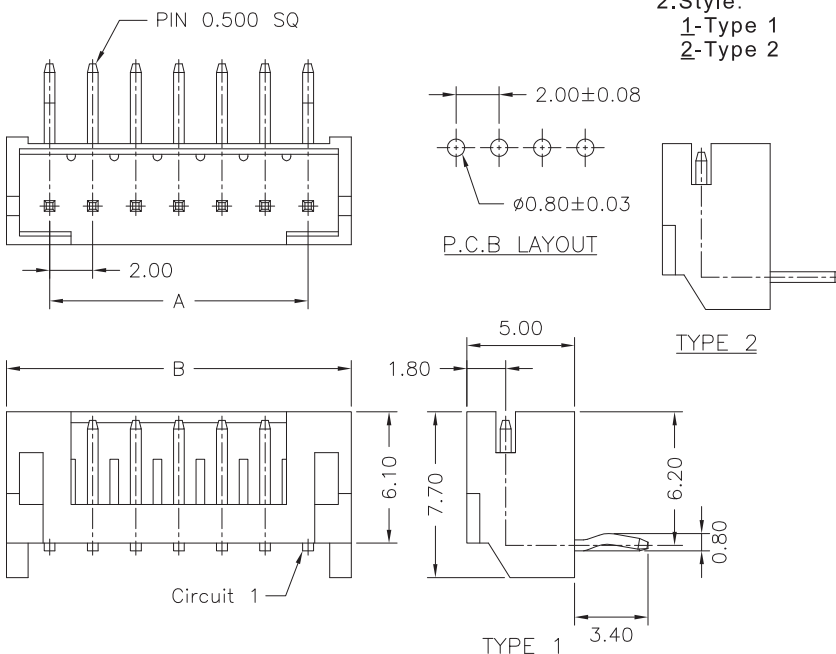
- 1
2
- 1.Part No.
 - 2.Style:
 - 1-Type 1
 - 2-Type 2

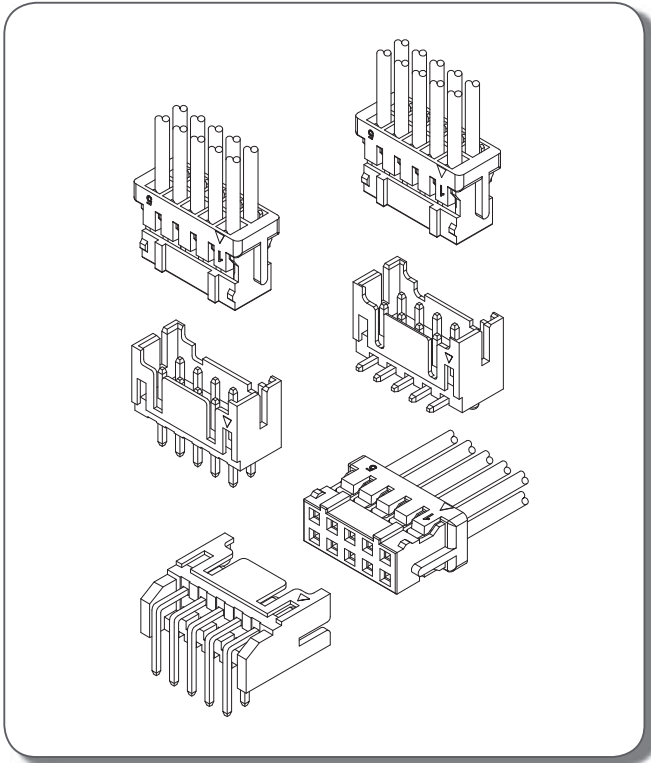


Ordering Information & Dimensions:

PART NO.	Dimensions	
	A	B
A2100WR-02P	2.00	6.00
A2100WR-03P	4.00	8.00
A2100WR-04P	6.00	10.00
A2100WR-05P	8.00	12.00
A2100WR-06P	10.00	14.00
A2100WR-07P	12.00	16.00
A2100WR-08P	14.00	18.00
A2100WR-09P	16.00	20.00
A2100WR-10P	18.00	22.00
A2100WR-11P	20.00	24.00
A2100WR-12P	22.00	26.00
A2100WR-13P	24.00	28.00
A2100WR-14P	26.00	30.00
A2100WR-15P	28.00	32.00

Unit:mm





Specifications

Current rating: 2A AC,DC
 Voltage rating: 250V AC,DC
 Temperature range: -25°C ~ +85°C
 Contact resistance: 30mΩ Max.
 Insulation resistance: 1000MΩ Min.
 Withstanding voltage: 800V AC/minute

A
B
C
F
ST
HRJ
DC

Standards

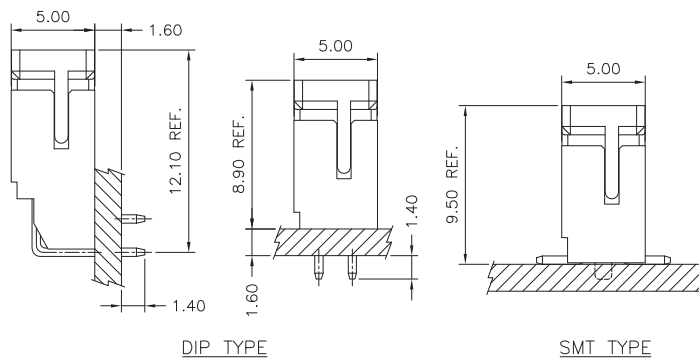


E179987



LR113464

Assembly layout



Ordering code

① ② ③ ④
A2211-T P E

- ① Series No.
- ② Plating code: T=Tin-plated
- ③ Material: P=Phosphor bronze
- ④ E=Stamping before plating

① ② ③ ④
A2211 H-2X 05P

- ① Series No.
- ② H=Housing
- ③ 2X=Dual row
- ④ No. of circuits

① ② ③ ④ ⑤ ⑥ ⑦
A2211 WV A -SF-2X 05P 46G

- ① Series No.
- ② Connector type: WV=Vertical, WR=Right angle
- ③ Blank=Normal type, A=A type, B=B type
- ④ Mounting type: Blank=Through hole
 -SF=SMT with boss
 -S=SMT without boss
- ⑤ 2X=Dual row
- ⑥ No. of circuits
- ⑦ Option code:
 46G=Nylon 46, Gold-flash
 Y02=Nylon 66, Tin-plated, Solder tail 2.50mm
 Y12=Nylon 46, Gold-flash, Solder tail 2.50mm
 (All above Through hole type only)

A2211 SERIES

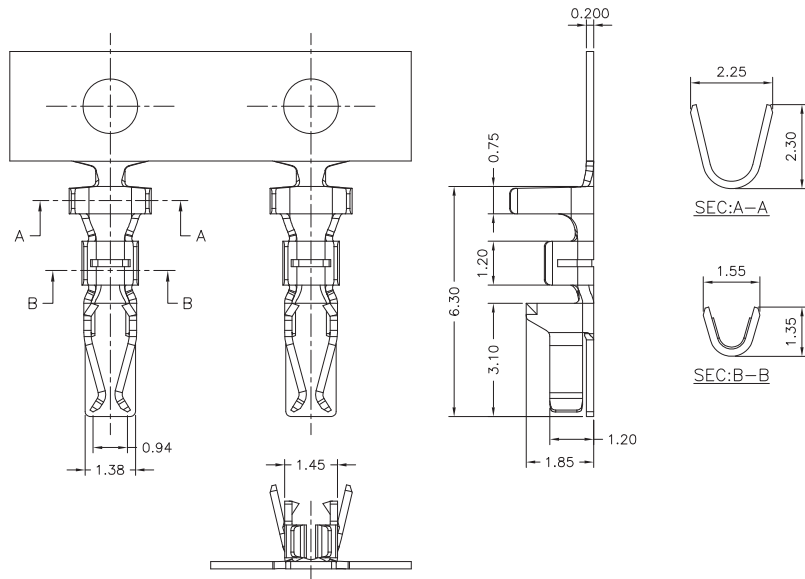
2.00mm pitch wire to board connector

A2211-T

—2.00mm pitch Crimp Terminal

Reference Informations:

*Used in A2211 or A2006 series Housing



Ordering Information & Specifications:

Unit:mm

Part No.	Wire Range	Insulation O.D.	Material	Finish	Qty/reel
A2211-TPE	AWG#22-#30	1.45mm(max)	Phosphor Bronze	Tin-plated	10,000pcs

Note:E-Stamping before Tin-plated

A2211H-2

—2.00mm pitch Dual Row Housing

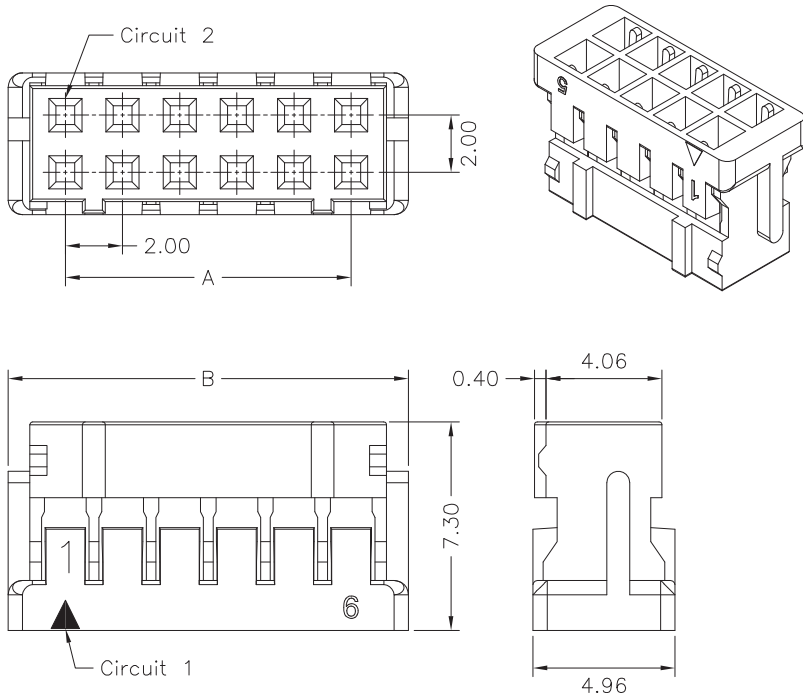
Reference Informations:

*Material: Nylon 66,UL94V-0

*Suitable A2211 series Terminal

*Mates with A2211 series dual row Wafer

A2211H-2X05P		N	0	B	NP	N	00	G
		①	②	③	④	⑤	⑥	⑦
① N=Halogen Free								
② Material: 0=Nylon 66-V0								
③ Color: B=Black								
④ Plating code: NP=Non-plating								
⑤ Plating code: N=Non-plating								
⑥ Option code: 00=Standard								
⑦ Packing code: G=Bag								



Ordering Information & Dimensions:

PART NO.	Dimensions	
	A	B
A2211H-2X02P	2.00	6.00
A2211H-2X03P	4.00	8.00
A2211H-2X04P	6.00	10.00
A2211H-2X05P	8.00	12.00
A2211H-2X06P	10.00	14.00
A2211H-2X07P	12.00	16.00
A2211H-2X08P	14.00	18.00
A2211H-2X09P	16.00	20.00
A2211H-2X10P	18.00	22.00
A2211H-2X11P	20.00	24.00
A2211H-2X12P	22.00	26.00
A2211H-2X13P	24.00	28.00
A2211H-2X14P	26.00	30.00
A2211H-2X15P	28.00	32.00
A2211H-2X16P	30.00	34.00
A2211H-2X17P	32.00	36.00
A2211H-2X18P	34.00	38.00
A2211H-2X19P	36.00	40.00
A2211H-2X20P	38.00	42.00

Unit:mm

A2211 SERIES

2.00mm pitch wire to board connector

A2211WV-2

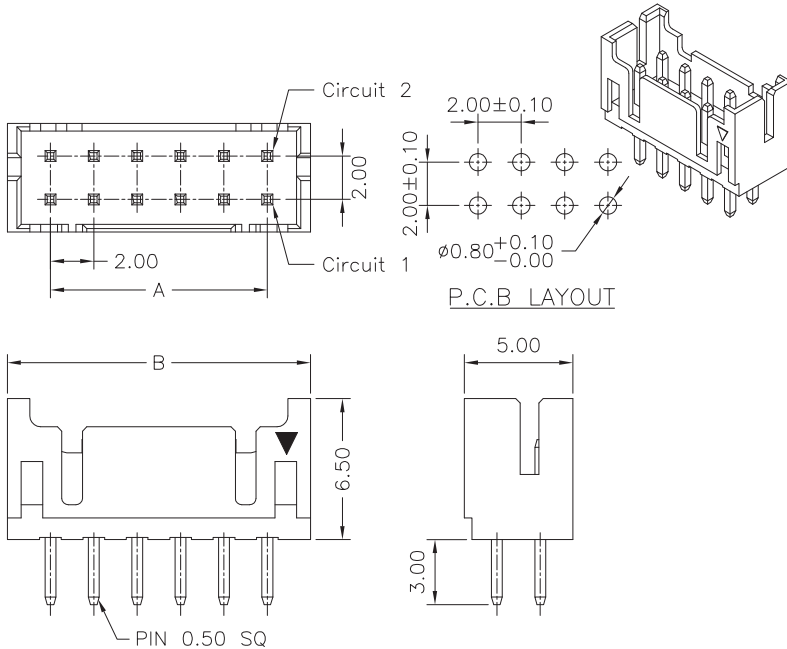
—2.00mm pitch 180° Dual Row Wafer—

Reference Informations:

- *Material: Pin: Brass/Tin-plated
Wafer: Nylon 66,UL94V-0
- *Mates with A2211 series dual row Housing
- *Nylon 46 is available

	A2211WV-2X05P	N	0	B	T1	N	00	G
		①	②	③	④	⑤	⑥	⑦

① N=Halogen Free
② Material: 0=Nylon 66-V0
③ Color: B=Black
④ Plating code: T1=Tin-plated
⑤ Plating code: N=Non-plating
⑥ Option code: 00=Standard, Y2=Soldertail 2.50mm
⑦ Packing code: G=Bag



Ordering Information & Dimensions:

PART NO.	Dimensions	
	A	B
A2211WV-2X02P	2.00	6.00
A2211WV-2X03P	4.00	8.00
A2211WV-2X04P	6.00	10.00
A2211WV-2X05P	8.00	12.00
A2211WV-2X06P	10.00	14.00
A2211WV-2X07P	12.00	16.00
A2211WV-2X08P	14.00	18.00
A2211WV-2X09P	16.00	20.00
A2211WV-2X10P	18.00	22.00
A2211WV-2X11P	20.00	24.00
A2211WV-2X12P	22.00	26.00
A2211WV-2X13P	24.00	28.00
A2211WV-2X14P	26.00	30.00
A2211WV-2X15P	28.00	32.00
A2211WV-2X16P	30.00	34.00
A2211WV-2X17P	32.00	36.00
A2211WV-2X18P	34.00	38.00
A2211WV-2X19P	36.00	40.00
A2211WV-2X20P	38.00	42.00

Unit:mm

A
B
C
F
ST
HRJ
DC

A2211WR-2

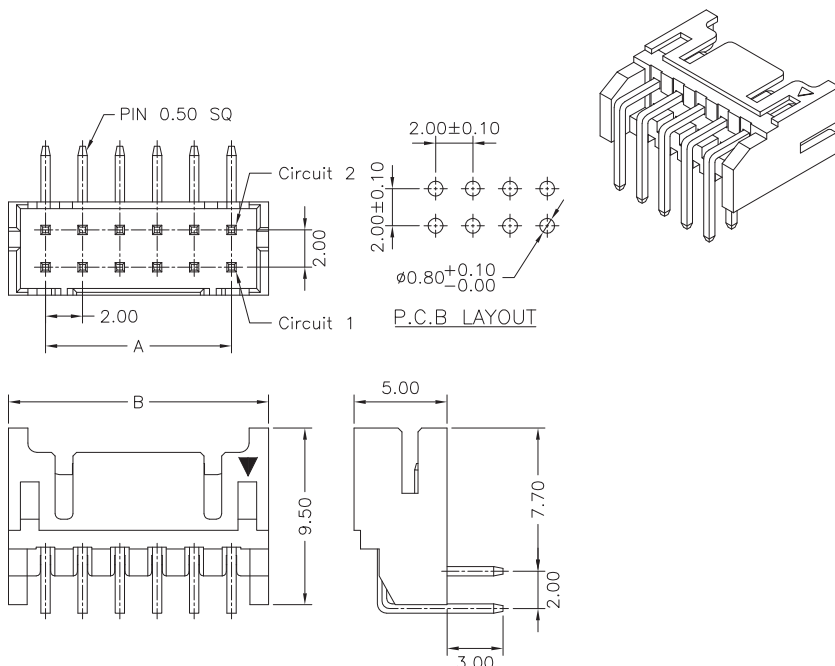
—2.00mm pitch 90° Dual Row Wafer—

Reference Informations:

- *Material: Pin: Brass/Tin-plated
Wafer: Nylon 66,UL94V-0
- *Mates with A2211 series dual row Housing
- *Nylon 46 is available

	A2211WR-2X05P	N	0	B	T1	N	00	G
		①	②	③	④	⑤	⑥	⑦

① N=Halogen Free
② Material: 0=Nylon 66-V0
③ Color: B=Black
④ Plating code: T1=Tin-plated
⑤ Plating code: N=Non-plating
⑥ Option code: 00=Standard, Y2=Soldertail 2.50mm
⑦ Packing code: G=Bag



Ordering Information & Dimensions:

PART NO.	Dimensions	
	A	B
A2211WR-2X02P	2.00	6.00
A2211WR-2X03P	4.00	8.00
A2211WR-2X04P	6.00	10.00
A2211WR-2X05P	8.00	12.00
A2211WR-2X06P	10.00	14.00
A2211WR-2X07P	12.00	16.00
A2211WR-2X08P	14.00	18.00
A2211WR-2X09P	16.00	20.00
A2211WR-2X10P	18.00	22.00
A2211WR-2X11P	20.00	24.00
A2211WR-2X12P	22.00	26.00
A2211WR-2X13P	24.00	28.00
A2211WR-2X14P	26.00	30.00
A2211WR-2X15P	28.00	32.00
A2211WR-2X16P	30.00	34.00
A2211WR-2X17P	32.00	36.00
A2211WR-2X18P	34.00	38.00
A2211WR-2X19P	36.00	40.00
A2211WR-2X20P	38.00	42.00

Unit:mm

A2211 SERIES

2.00mm pitch wire to board connector

A2211WVA-SF-2

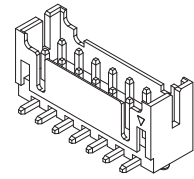
2.00mm pitch 180° Dual Row Wafer With Boss - SMT TYPE

Reference Informations:

*Material: Pin: Brass/Gold-flash
Wafer: Nylon 6T,UL94V-0
Cap: Nylon 6T,UL94V-0

*Mates with A2211 series dual row Housing

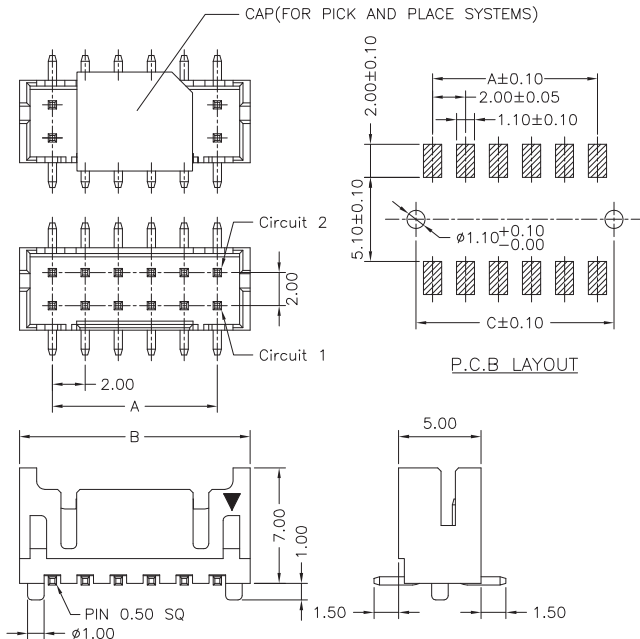
	A2211WVA-SF-2X05P						
	N	6	B	G1	N	00	L
①	②	③	④	⑤	⑥	⑦	
①	N=Halogen Free						
②	Material: 6=Nylon 6T						
③	Color: B=Black						
④	Plating code: G1=Gold-flash						
⑤	Plating code: N=Non-plating						
⑥	Option code: 00=Standard						
⑦	Packing code: L=Tape & Reel(With Cap)						



Ordering Information & Dimensions:

PART NO.	Dimensions		
	A	B	C
A2211WVA-SF-2X02P	2.00	6.00	4.00
A2211WVA-SF-2X03P	4.00	8.00	6.00
A2211WVA-SF-2X04P	6.00	10.00	8.00
A2211WVA-SF-2X05P	8.00	12.00	10.00
A2211WVA-SF-2X06P	10.00	14.00	12.00
A2211WVA-SF-2X07P	12.00	16.00	14.00
A2211WVA-SF-2X08P	14.00	18.00	16.00
A2211WVA-SF-2X09P	16.00	20.00	18.00
A2211WVA-SF-2X10P	18.00	22.00	20.00
A2211WVA-SF-2X11P	20.00	24.00	22.00
A2211WVA-SF-2X12P	22.00	26.00	24.00
A2211WVA-SF-2X13P	24.00	28.00	26.00
A2211WVA-SF-2X14P	26.00	30.00	28.00
A2211WVA-SF-2X15P	28.00	32.00	30.00
A2211WVA-SF-2X16P	30.00	34.00	32.00
A2211WVA-SF-2X17P	32.00	36.00	34.00
A2211WVA-SF-2X18P	34.00	38.00	36.00
A2211WVA-SF-2X19P	36.00	40.00	38.00
A2211WVA-SF-2X20P	38.00	42.00	40.00

Unit:mm



A2211WVA-S-2

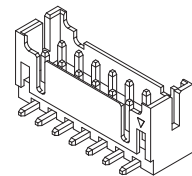
2.00mm pitch 180° Dual Row Wafer Without Boss - SMT TYPE

Reference Informations:

*Material: Pin: Brass/Gold-flash
Wafer: Nylon 6T,UL94V-0
Cap: Nylon 6T,UL94V-0

*Mates with A2211 series dual row Housing

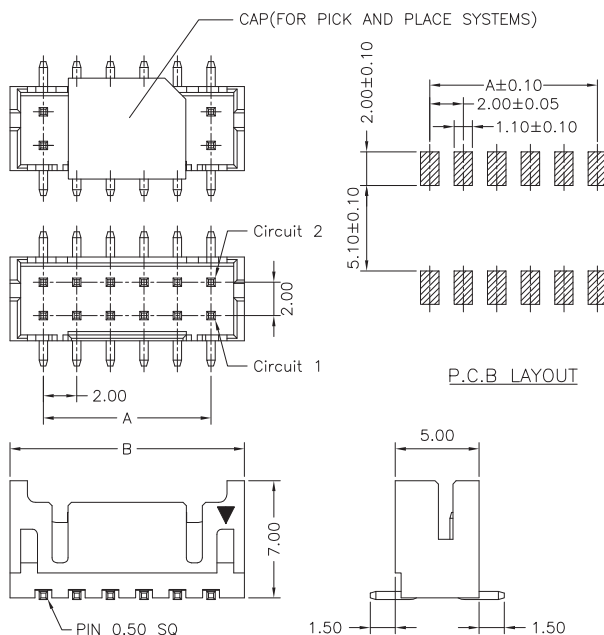
	A2211WVA-S-2X05P						
	N	6	B	G1	N	00	L
①	②	③	④	⑤	⑥	⑦	
①	N=Halogen Free						
②	Material: 6=Nylon 6T						
③	Color: B=Black						
④	Plating code: G1=Gold-flash						
⑤	Plating code: N=Non-plating						
⑥	Option code: 00=Standard						
⑦	Packing code: L=Tape & Reel(With Cap)						



Ordering Information & Dimensions:

PART NO.	Dimensions	
	A	B
A2211WVA-S-2X02P	2.00	6.00
A2211WVA-S-2X03P	4.00	8.00
A2211WVA-S-2X04P	6.00	10.00
A2211WVA-S-2X05P	8.00	12.00
A2211WVA-S-2X06P	10.00	14.00
A2211WVA-S-2X07P	12.00	16.00
A2211WVA-S-2X08P	14.00	18.00
A2211WVA-S-2X09P	16.00	20.00
A2211WVA-S-2X10P	18.00	22.00
A2211WVA-S-2X11P	20.00	24.00
A2211WVA-S-2X12P	22.00	26.00
A2211WVA-S-2X13P	24.00	28.00
A2211WVA-S-2X14P	26.00	30.00
A2211WVA-S-2X15P	28.00	32.00
A2211WVA-S-2X16P	30.00	34.00
A2211WVA-S-2X17P	32.00	36.00
A2211WVA-S-2X18P	34.00	38.00
A2211WVA-S-2X19P	36.00	40.00
A2211WVA-S-2X20P	38.00	42.00

Unit:mm



A2211WVB-SF-2

2.00mm pitch 180° Dual Row Wafer With Boss -SMT TYPE

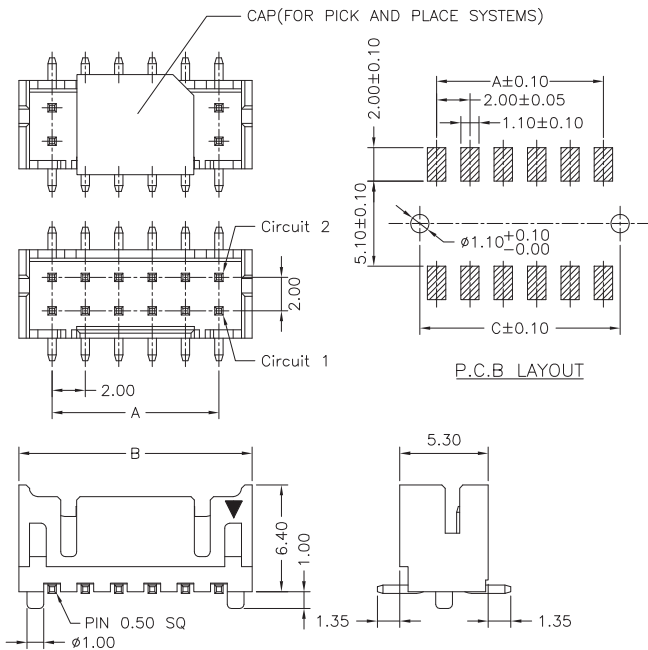
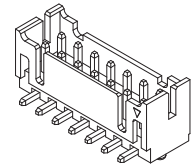
Reference Informations:

*Material: Pin: Brass/Gold-flash
 Wafer: Nylon 46,UL94V-0
 Cap: Nylon 6T,UL94V-0

*Mates with A2211 series dual row Housing

A2211WVB-SF-2X05P	N	6	B	G1	N	00	L
①	②	③	④	⑤	⑥	⑦	

① N=Halogen Free
 ② Material: 6=Nylon 6T
 ③ Color: B=Black
 ④ Plating code: G1=Gold-flash
 ⑤ Plating code: N=Non-plating
 ⑥ Option code: 00=Standard
 ⑦ Packing code: L=Tape & Reel(With Cap)



Ordering Information & Dimensions:

PART NO.	Dimensions		
	A	B	C
A2211WVB-SF-2X02P	2.00	6.00	4.00
A2211WVB-SF-2X03P	4.00	8.00	6.00
A2211WVB-SF-2X04P	6.00	10.00	8.00
A2211WVB-SF-2X05P	8.00	12.00	10.00
A2211WVB-SF-2X06P	10.00	14.00	12.00
A2211WVB-SF-2X07P	12.00	16.00	14.00
A2211WVB-SF-2X08P	14.00	18.00	16.00
A2211WVB-SF-2X09P	16.00	20.00	18.00
A2211WVB-SF-2X10P	18.00	22.00	20.00
A2211WVB-SF-2X11P	20.00	24.00	22.00
A2211WVB-SF-2X12P	22.00	26.00	24.00
A2211WVB-SF-2X13P	24.00	28.00	26.00
A2211WVB-SF-2X14P	26.00	30.00	28.00
A2211WVB-SF-2X15P	28.00	32.00	30.00
A2211WVB-SF-2X16P	30.00	34.00	32.00
A2211WVB-SF-2X17P	32.00	36.00	34.00
A2211WVB-SF-2X18P	34.00	38.00	36.00
A2211WVB-SF-2X19P	36.00	40.00	38.00
A2211WVB-SF-2X20P	38.00	42.00	40.00

Unit:mm

A
B
C
F
ST
HRJ
DC

Specifications

Current rating: 3A AC,DC
 Voltage rating: 500V AC,DC
 Temperature range: -25°C ~ +85°C
 Contact resistance: 20mΩ Max.
 Insulation resistance: 100MΩ Min.
 Withstanding voltage: 1500V AC/minute

Standards



E179987

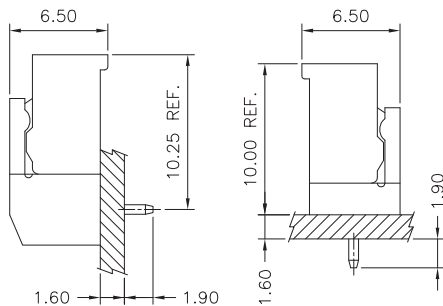


LR113464

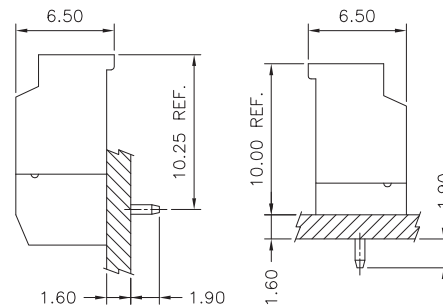


R 3-50004394

Assembly layout



TYPE 1-02P~15P



TYPE 2-13P~15P

Ordering code

① ② ③ ④
A2500-T P E

- ① Series No.
- ② Plating code: T=Tin-plated
- ③ Material: P=Phosphor bronze
- ④ E=Stamping before plating

① ② ③
A2500 WV-05P

- ① Series No.
- ② Connector type: WV=Vertical, WR=Right angle
- ③ No. of circuits

① ② ③ ④
A2500 H-05P-1

- ① Series No.
- ② H=Housing
- ③ No. of circuits
- ④ Option code: 1=Type 1, 2=Type 2

A2500 SERIES

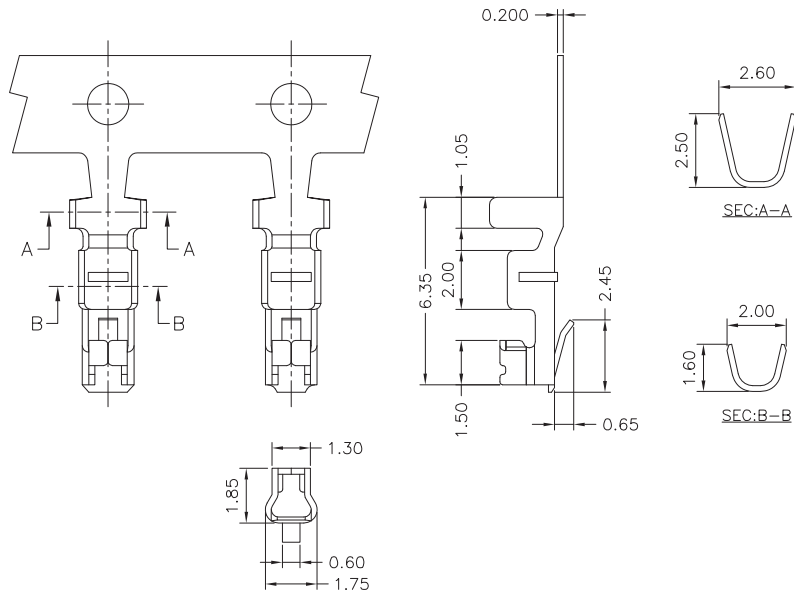
2.50mm pitch wire to board connector

A2500-T

2.50mm pitch Crimp Terminal

Reference Informations:

*Used in A2500 series Housing



A
B
C
F
ST
HRJ
DC

Ordering Information & Specifications:

Unit:mm

Part No.	Wire Range	Insulation O.D.	Material	Finish	Qty/reel
A2500-TPE	AWG#22-#28	1.70mm(max)	Phosphor Bronze	Tin-plated	10,000pcs

Note:E-Stamping before Tin-plated

A2500H

2.50mm pitch Housing

Reference Informations:

*Material: Nylon 66,UL94V-0

*Suitable A2500 series Terminal

*Mates with A2500 series Wafer

Ordering Information:

A2500H-XP-*

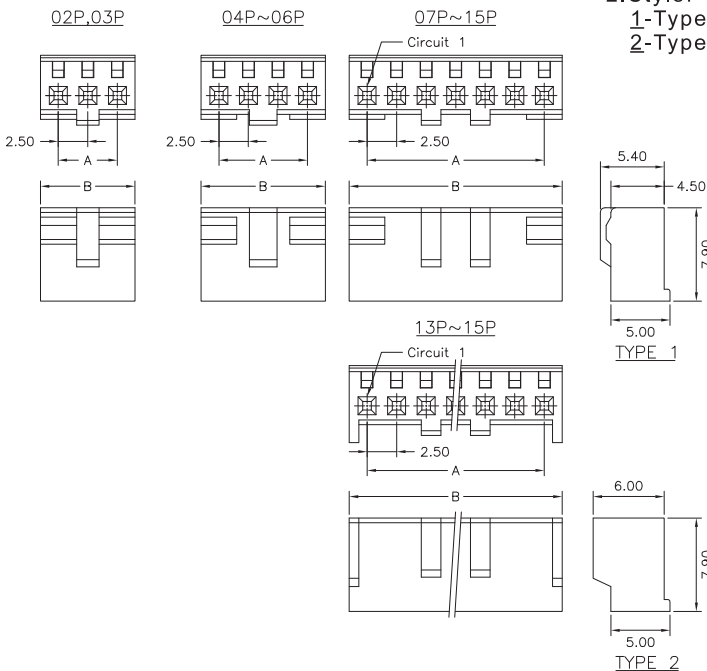
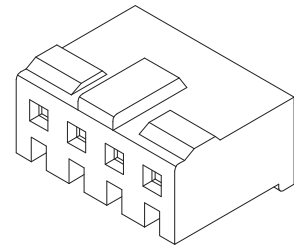
1 2

1.Part No.

2.Style:

1-Type 1

2-Type 2



Ordering Information & Dimensions:

PART NO.	Dimensions	
	A	B
A2500H-02P	2.50	5.50
A2500H-03P	5.00	8.00
A2500H-04P	7.50	10.50
A2500H-05P	10.00	13.00
A2500H-06P	12.50	15.50
A2500H-07P	15.00	18.00
A2500H-08P	17.50	20.50
A2500H-09P	20.00	23.00
A2500H-10P	22.50	25.50
A2500H-11P	25.00	28.00
A2500H-12P	27.50	30.50
A2500H-13P	30.00	33.00
A2500H-14P	32.50	35.50
A2500H-15P	35.00	38.00

Unit:mm

A2500 SERIES

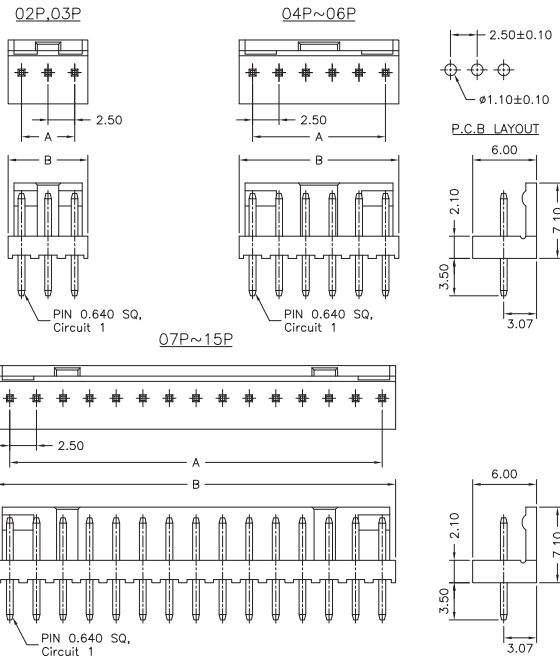
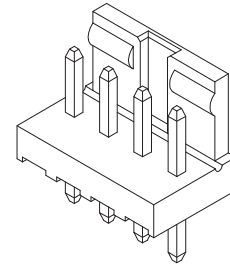
2.50mm pitch wire to board connector

A2500WV

2.50mm pitch 180° Wafer

Reference Informations:

- *Material: Pin: Brass/Tin-plated
Wafer: Nylon 66,UL94V-0
- *Mates with A2500 series Housing



Ordering Information & Dimensions:

PART NO.	Dimensions	
	A	B
A2500WV-02P	2.50	5.00
A2500WV-03P	5.00	7.50
A2500WV-04P	7.50	10.00
A2500WV-05P	10.00	12.50
A2500WV-06P	12.50	15.00
A2500WV-07P	15.00	17.50
A2500WV-08P	17.50	20.00
A2500WV-09P	20.00	22.50
A2500WV-10P	22.50	25.00
A2500WV-11P	25.00	27.50
A2500WV-12P	27.50	30.00
A2500WV-13P	30.00	32.50
A2500WV-14P	32.50	35.00
A2500WV-15P	35.00	37.50

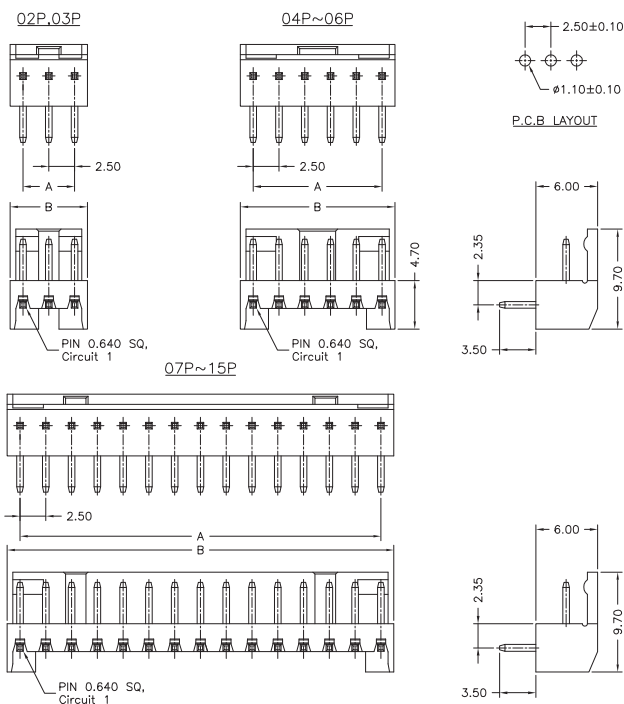
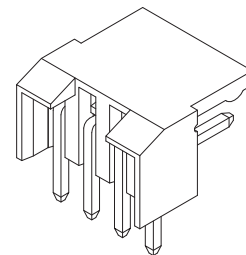
Unit:mm

A2500WR

2.50mm pitch 90° Wafer

Reference Informations:

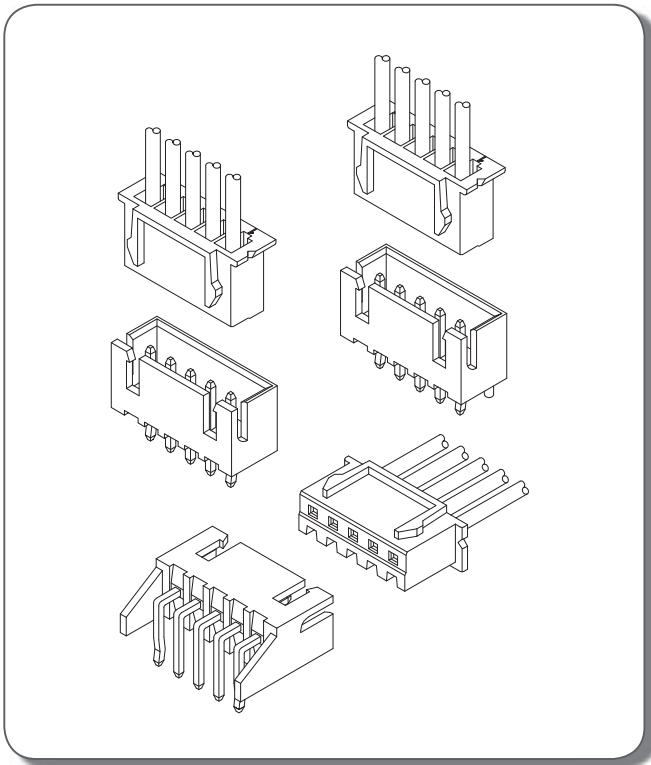
- *Material: Pin: Brass/Tin-plated
Wafer: Nylon 66,UL94V-0
- *Mates with A2500 series Housing



Ordering Information & Dimensions:

PART NO.	Dimensions	
	A	B
A2500WR-02P	2.50	5.00
A2500WR-03P	5.00	7.50
A2500WR-04P	7.50	10.00
A2500WR-05P	10.00	12.50
A2500WR-06P	12.50	15.00
A2500WR-07P	15.00	17.50
A2500WR-08P	17.50	20.00
A2500WR-09P	20.00	22.50
A2500WR-10P	22.50	25.00
A2500WR-11P	25.00	27.50
A2500WR-12P	27.50	30.00
A2500WR-13P	30.00	32.50
A2500WR-14P	32.50	35.00
A2500WR-15P	35.00	37.50

Unit:mm



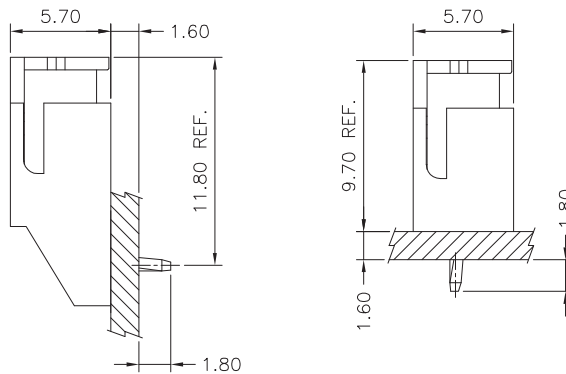
Specifications

Current rating: 3A AC,DC
 Voltage rating: 250V AC,DC
 Temperature range: -25°C ~ +85°C
 Contact resistance: 10mΩ Max.
 Insulation resistance: 1000MΩ Min.
 Withstanding voltage: 1000V AC/minute

A
B
C
F
ST
HRJ
DC

Standards

Assembly layout



Ordering code

① ② ③ ④
A2501-T P E

- ① Series No.
- ② Plating code: T=Tin-plated
- ③ Material: P=Phosphor bronze, B=Brass
- ④ E=Stamping before plating

① ② ③
A2501 H-05P

- ① Series No.
- ② H=Housing
- ③ No. of circuits

① ② ③ ④ ⑤ ⑥
A2501 WV R -F-05P 46G

- ① Series No.
- ② Connector type: WV=Vertical, WR=Right angle
- ③ Blank=Normal type
R=Right angle type
- ④ Blank=Normal type
-F=With boss
- ⑤ No. of circuits
- ⑥ Option code:
1=Type 1, 2=Type 2, 3=Type 3
46G=Nylon 46, Gold-flash

A2501 SERIES

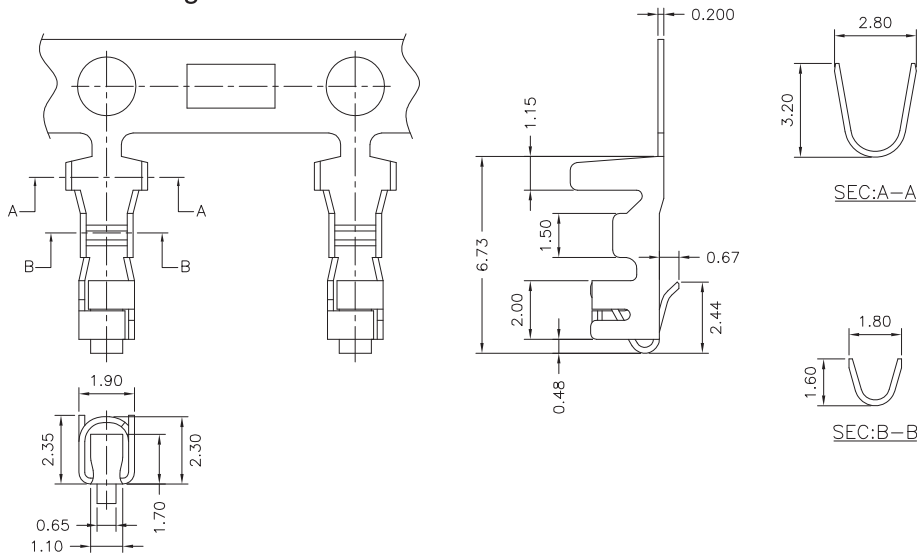
2.50mm pitch wire to board connector

A2501-T

2.50mm pitch Crimp Terminal

Reference Informations:

*Used in A2501 series Housing



Ordering Information & Specifications:

Unit:mm

Part No.	Wire Range	Insulation O.D.	Material	Finish	Qty/reel
A2501-TBE	AWG#22-#28	1.90mm(max)	Brass	Tin-plated	8,000pcs
A2501-TPE	AWG#22-#28	1.90mm(max)	Phosphor Bronze	Tin-plated	8,000pcs

Note:E-Stamping before Tin-plated

A2501H

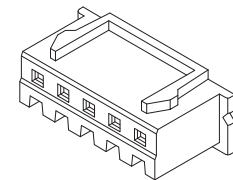
2.50mm pitch Housing

Reference Informations:

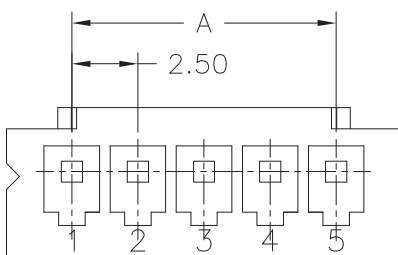
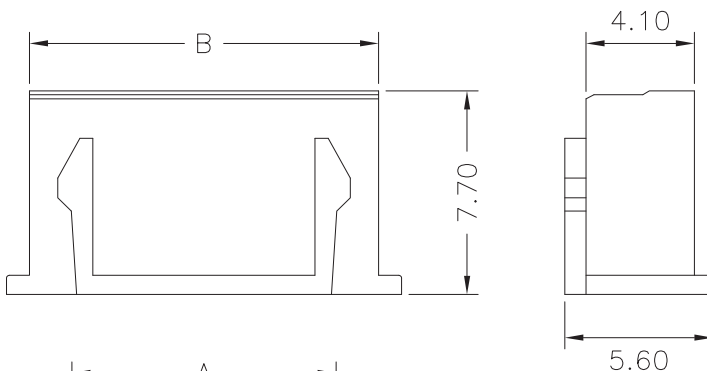
*Material: Nylon 66,UL94V-0

*Suitable A2501 series Terminal

*Mates with A2501 series Wafer



Ordering Information & Dimensions:



Circuit 1

A2501H-05P		N	0	W	NP	N	00	G
		①	②	③	④	⑤	⑥	⑦
① N=Halogen Free								
② Material: 0=Nylon 66-V0								
③ Color: W=White								
④ Plating code: NP=Non-plating								
⑤ Plating code: N=Non-plating								
⑥ Option code: 00=Standard								
⑦ Packing code: G=Bag								

PART NO.	Dimensions	
	A	B
A2501H-02P	2.50	5.70
A2501H-03P	5.00	8.20
A2501H-04P	7.50	10.70
A2501H-05P	10.00	13.20
A2501H-06P	12.50	15.70
A2501H-07P	15.00	18.20
A2501H-08P	17.50	20.70
A2501H-09P	20.00	23.20
A2501H-10P	22.50	25.70
A2501H-11P	25.00	28.20
A2501H-12P	27.50	30.70
A2501H-13P	30.00	33.20
A2501H-14P	32.50	35.70
A2501H-15P	35.00	38.20
A2501H-16P	37.50	40.70
A2501H-17P	40.00	43.20
A2501H-18P	42.50	45.70
A2501H-19P	45.00	48.20
A2501H-20P	47.50	50.70

Unit:mm

A2501 SERIES

2.50mm pitch wire to board connector

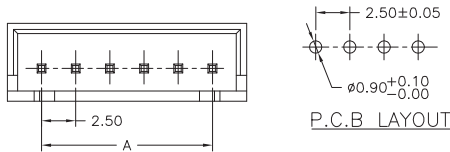
A2501WV

2.50mm pitch 180° Wafer

Reference Informations:

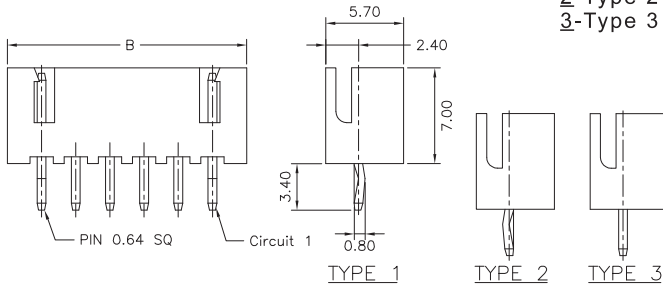
- *Material: Pin: Brass/Tin-plated
Wafer: Nylon 66,UL94V-0
- *Mates with A2501 series Housing
- *Nylon 46 is available

	A2501WV-05P	N	0	W	T1	N	K0	G
		①	②	③	④	⑤	⑥	⑦
①	N=Halogen Free							
②	Material: 0=Nylon 66-V0, 6=Nylon 6T							
③	Color: W=White, B=Black							
④	Plating code: T1=Tin-plated, G1=Gold-flash							
⑤	Plating code: N=Non-plating							
⑥	Option code: K0=With pin kink, 00=Without pin kink							
⑦	Packing code: G=Bag							



Ordering Information:
A2501WV-XP *
 1
 2

1. Part No.
 2. Style:
 1-Type 1
 2-Type 2
 3-Type 3



Ordering Information & Dimensions:

PART NO.	Dimensions	
	A	B
A2501WV-02P	2.50	7.50
A2501WV-03P	5.00	10.00
A2501WV-04P	7.50	12.50
A2501WV-05P	10.00	15.00
A2501WV-06P	12.50	17.50
A2501WV-07P	15.00	20.00
A2501WV-08P	17.50	22.50
A2501WV-09P	20.00	25.00
A2501WV-10P	22.50	27.50
A2501WV-11P	25.00	30.00
A2501WV-12P	27.50	32.50
A2501WV-13P	30.00	35.00
A2501WV-14P	32.50	37.50
A2501WV-15P	35.00	40.00
A2501WV-16P	37.50	42.50
A2501WV-17P	40.00	45.00
A2501WV-18P	42.50	47.50
A2501WV-19P	45.00	50.00
A2501WV-20P	47.50	52.50

Unit:mm

A
B
C
F
ST
HRJ
DC

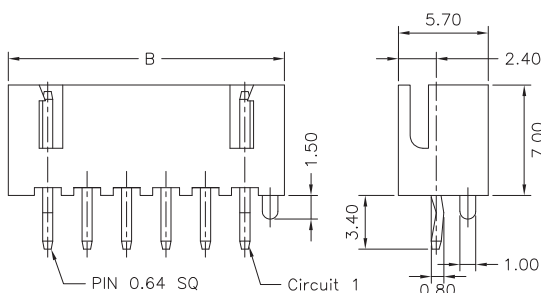
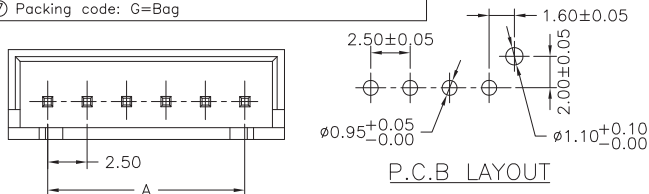
A2501WV-F

2.50mm pitch 180° Wafer With Boss

Reference Informations:

- *Material: Pin: Brass/Tin-plated
Wafer: Nylon 66,UL94V-0
- *Mates with A2501 series Housing
- *Nylon 46 is available

	A2501WV-F-05P	N	0	W	T1	N	K0	G
		①	②	③	④	⑤	⑥	⑦
①	N=Halogen Free							
②	Material: 0=Nylon 66-V0, 6=Nylon 6T							
③	Color: W=White, B=Black							
④	Plating code: T1=Tin-plated, G1=Gold-flash							
⑤	Plating code: N=Non-plating							
⑥	Option code: K0=With pin kink							
⑦	Packing code: G=Bag							



Ordering Information & Dimensions:

PART NO.	Dimensions	
	A	B
A2501WV-F-02P	2.50	7.50
A2501WV-F-03P	5.00	10.00
A2501WV-F-04P	7.50	12.50
A2501WV-F-05P	10.00	15.00
A2501WV-F-06P	12.50	17.50
A2501WV-F-07P	15.00	20.00
A2501WV-F-08P	17.50	22.50
A2501WV-F-09P	20.00	25.00
A2501WV-F-10P	22.50	27.50
A2501WV-F-11P	25.00	30.00
A2501WV-F-12P	27.50	32.50
A2501WV-F-13P	30.00	35.00
A2501WV-F-14P	32.50	37.50
A2501WV-F-15P	35.00	40.00
A2501WV-F-16P	37.50	42.50
A2501WV-F-17P	40.00	45.00
A2501WV-F-18P	42.50	47.50
A2501WV-F-19P	45.00	50.00
A2501WV-F-20P	47.50	52.50

Unit:mm

A2501 SERIES

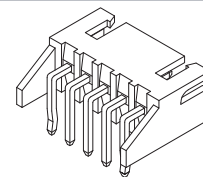
2.50mm pitch wire to board connector

A2501WR

2.50mm pitch 90° Wafer

Reference Informations:

- *Material: Pin: Brass/Tin-plated
Wafer: Nylon 66,UL94V-0
- *Mates with A2501 series Housing
- *Nylon 46 is available



Ordering Information & Dimensions:

PART NO.	Dimensions	
	A	B
A2501WR-02P	2.50	7.50
A2501WR-03P	5.00	10.00
A2501WR-04P	7.50	12.50
A2501WR-05P	10.00	15.00
A2501WR-06P	12.50	17.50
A2501WR-07P	15.00	20.00
A2501WR-08P	17.50	22.50
A2501WR-09P	20.00	25.00
A2501WR-10P	22.50	27.50
A2501WR-11P	25.00	30.00
A2501WR-12P	27.50	32.50
A2501WR-13P	30.00	35.00
A2501WR-14P	32.50	37.50
A2501WR-15P	35.00	40.00
A2501WR-16P	37.50	42.50
A2501WR-17P	40.00	45.00
A2501WR-18P	42.50	47.50
A2501WR-19P	45.00	50.00
A2501WR-20P	47.50	52.50

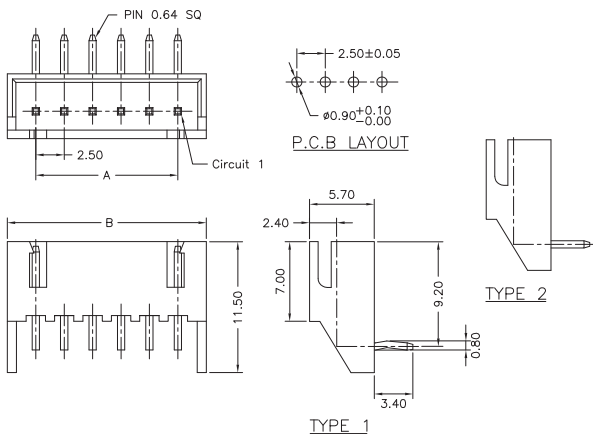
Unit:mm

A2501WR-05P N 0 W T1 N KO G
① ② ③ ④ ⑤ ⑥ ⑦

- ① N=Halogen Free
- ② Material: 0=Nylon 66-V0, 6=Nylon 6T
- ③ Color: W=White, B=Black
- ④ Plating code: T1=Tin-plated, G1=Gold-flash
- ⑤ Plating code: N=Non-plating
- ⑥ Option code: KO=With pin kink, 00=Without pin kink
- ⑦ Packing code: G=Bag

Ordering Information:

- A2501WR-XP *
1 2
1, Part No.
2, Style:
1-Type 1
2-Type 2

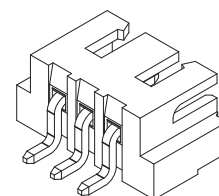


A2501WR-S

2.50mm pitch 90° Wafer-SMT TYPE

Reference Informations:

- *Material: Pin: Brass/Tin-plated
Wafer: Nylon 6T
- *Mates with A2501 series Housing



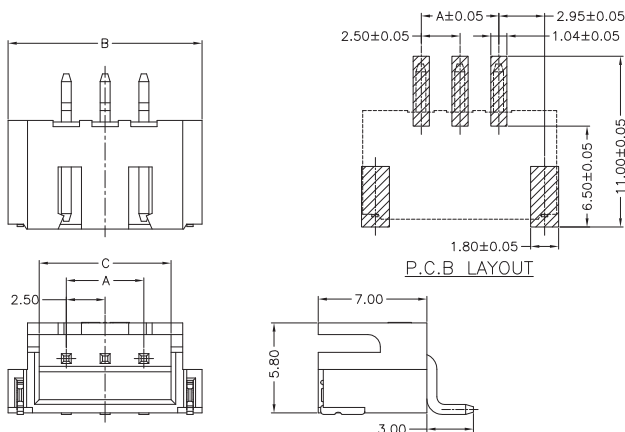
Ordering Information & Dimensions:

PART NO.	Dimensions		
	A	B	C
A2501WR-S-02P	2.50	10.00	6.00
A2501WR-S-03P	5.00	12.50	8.50
A2501WR-S-04P	7.50	15.00	11.00
A2501WR-S-05P	10.00	17.50	13.50
A2501WR-S-06P	12.50	20.00	16.00
A2501WR-S-07P	15.00	22.50	18.50
A2501WR-S-08P	17.50	25.00	21.00
A2501WR-S-09P	20.00	27.50	23.50
A2501WR-S-10P	22.50	30.00	26.00
A2501WR-S-11P	25.00	32.50	28.50
A2501WR-S-12P	27.50	35.00	31.00
A2501WR-S-13P	30.00	37.50	33.50
A2501WR-S-14P	32.50	40.00	36.00
A2501WR-S-15P	35.00	42.50	38.50

Unit:mm

A2501WR-S-03P N 6 B T1 N 00 G
① ② ③ ④ ⑤ ⑥ ⑦

- ① N=Halogen Free
- ② Material: 0=Nylon 66-V0, 6=Nylon 6T
- ③ Color: W=White, B=Black
- ④ Plating code: T1=Tin-plated, G1=Gold-flash
- ⑤ Plating code: N=Non-plating
- ⑥ Option code: 00=Without pin kink
- ⑦ Packing code: G=Bag

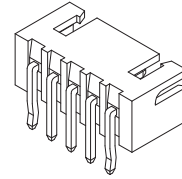


A2501WVR

—2.50mm pitch 90° Wafer—

Reference Informations:

- *Material: Pin: Brass/Tin-plated
Wafer: Nylon 66,UL94V-0
- *Mates with A2501 series Housing
- *Nylon 46 is available



Ordering Information & Dimensions:

	A2501WVR-05P	N	0	W	T1	N	K0	G
		①	②	③	④	⑤	⑥	⑦

① N=Halogen Free
② Material: 0=Nylon 66-V0, 6=Nylon 6T
③ Color: W=White, B=Black
④ Plating code: T1=Tin-plated, G1=Gold-flash
⑤ Plating code: N=Non-plating
⑥ Option code: K0=With pin kink, 00=Without pin kink
⑦ Packing code: G=Bag

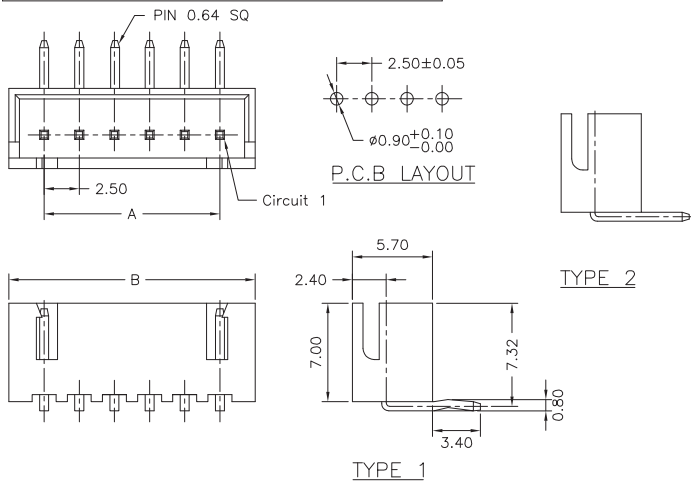
Ordering Information:

A2501WVR-XP *
1 2

- 1.Part No.
- 2.Style:
1-Type 1
2-Type 2

PART NO.	Dimensions	
	A	B
A2501WVR-02P	2.50	7.50
A2501WVR-03P	5.00	10.00
A2501WVR-04P	7.50	12.50
A2501WVR-05P	10.00	15.00
A2501WVR-06P	12.50	17.50
A2501WVR-07P	15.00	20.00
A2501WVR-08P	17.50	22.50
A2501WVR-09P	20.00	25.00
A2501WVR-10P	22.50	27.50
A2501WVR-11P	25.00	30.00
A2501WVR-12P	27.50	32.50
A2501WVR-13P	30.00	35.00
A2501WVR-14P	32.50	37.50
A2501WVR-15P	35.00	40.00
A2501WVR-16P	37.50	42.50
A2501WVR-17P	40.00	45.00
A2501WVR-18P	42.50	47.50
A2501WVR-19P	45.00	50.00
A2501WVR-20P	47.50	52.50

Unit:mm

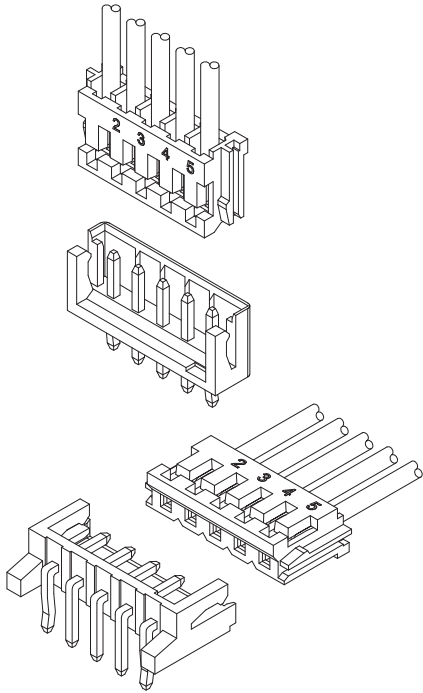


A
B
C
F
ST
HRJ
DC

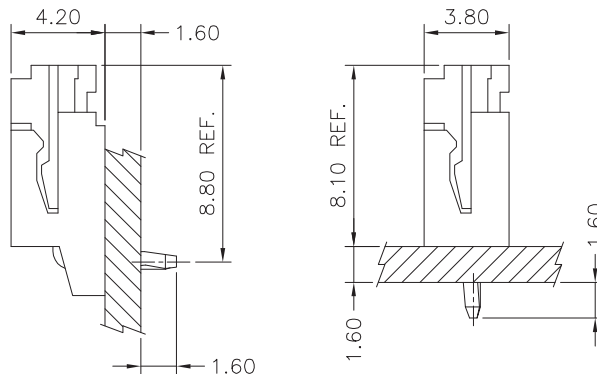
Specifications

Current rating: 3A AC,DC
 Voltage rating: 250V AC,DC
 Temperature range: -25°C ~ +85°C
 Contact resistance: 10mΩ Max.
 Insulation resistance: 1000MΩ Min.
 Withstanding voltage: 800V AC/minute

Standards



Assembly layout



Ordering code

① ② ③ ④
A2502-T P E

- ① Series No.
- ② Plating code: T=Tin-plated
- ③ Material: P=Phosphor bronze
- ④ E=Stamping before plating

① ② ③
A2502 H-05P

- ① Series No.
- ② H=Housing
- ③ No. of circuits

① ② ③ ④
A2502 WR-05P 2

- ① Series No.
- ② Connector type: WV=Vertical, WR=Right angle
- ③ No. of circuits
- ④ Option code: 1=Type 1, 2=Type 2

A2502 SERIES

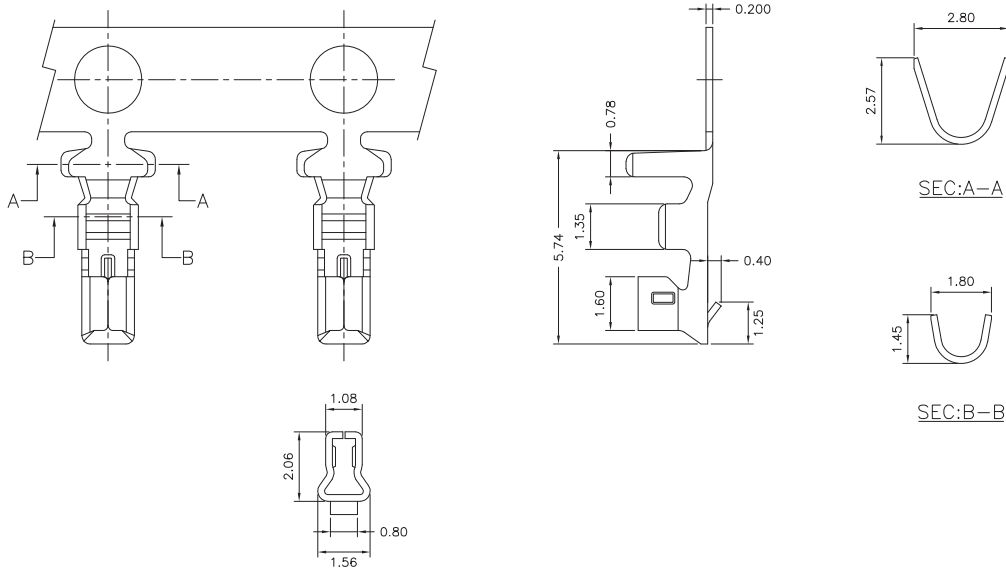
2.50mm pitch wire to board connector

A2502-T

2.50mm pitch Crimp Terminal

Reference Informations:

*Used in A2502 or A2507 series Housing



A
B
C
F
ST
HRJ
DC

Ordering Information & Specifications:

Part No.	Wire Range	Insulation O.D.	Material	Finish	Qty/reel
A2502-TPE	AWG#22-#30	1.90mm(max)	Phosphor Bronze	Tin-plated	10,000pcs

Note:E-Stamping before Tin-plated

A2502H

2.50mm pitch Housing

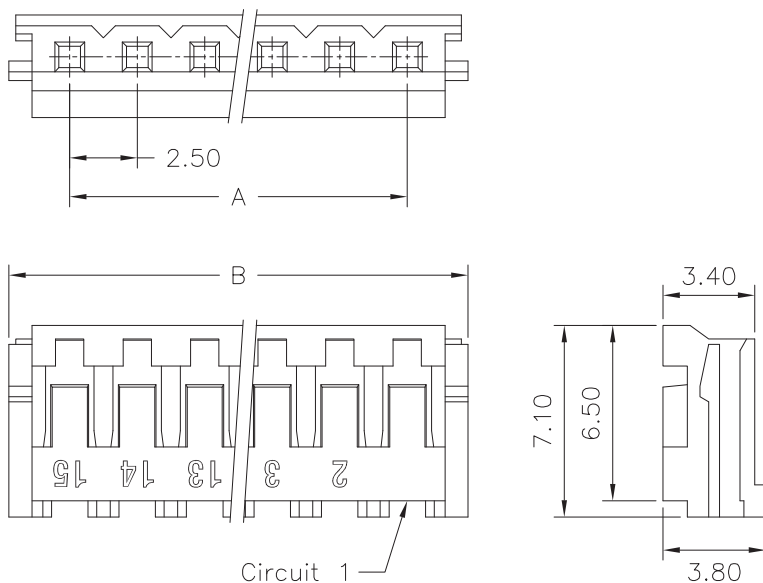
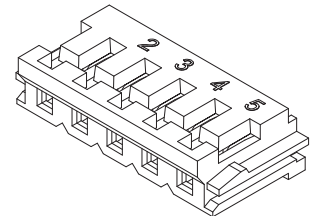
Reference Informations:

*Material: Nylon 66,UL94V-0

*Suitable A2502 series Terminal

*Mates with A2502 series Wafer

A2502H-05P		N	Q	W	NP	N	00	G
		①	②	③	④	⑤	⑥	⑦
①	N=Halogen Free							
②	Material: 0=Nylon 66-V0							
③	Color: W=White							
④	Plating code: NP=Non-plating							
⑤	Plating code: N=Non-plating							
⑥	Option code: 00=Standard							
⑦	Packing code: G=Bag							



Ordering Information & Dimensions:

PART NO.	Dimensions	
	A	B
A2502H-02P	2.50	7.00
A2502H-03P	5.00	9.50
A2502H-04P	7.50	12.00
A2502H-05P	10.00	14.50
A2502H-06P	12.50	17.00
A2502H-07P	15.00	19.50
A2502H-08P	17.50	22.00
A2502H-09P	20.00	24.50
A2502H-10P	22.50	27.00
A2502H-11P	25.00	29.50
A2502H-12P	27.50	32.00
A2502H-13P	30.00	34.50
A2502H-14P	32.50	37.00
A2502H-15P	35.00	39.50

Unit:mm

A2502 SERIES

2.50mm pitch wire to board connector

A2502WV

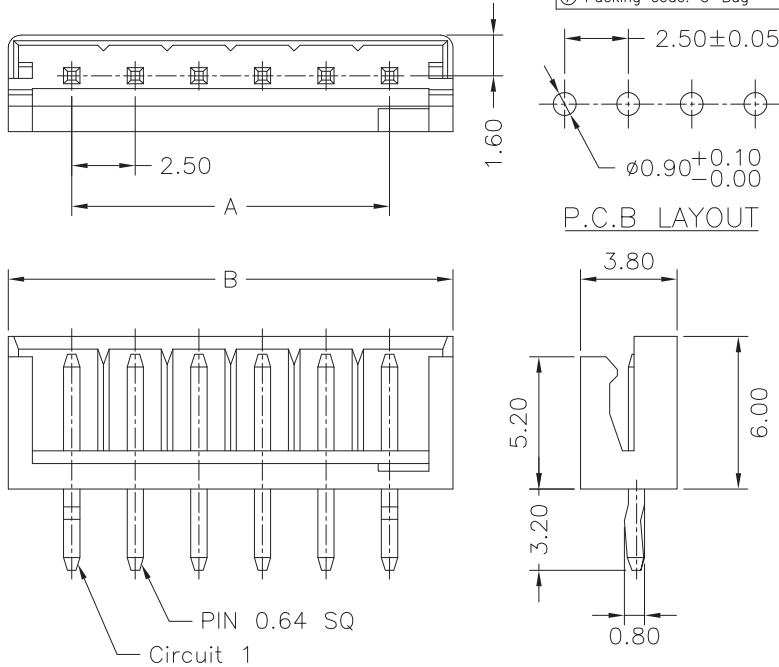
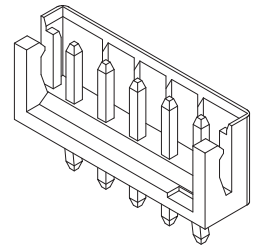
2.50mm pitch 180° Wafer

Reference Informations:

- *Material: Pin: Brass/Tin-plated
Wafer: Nylon 66,UL94V-0
- *Mates with A2502 series Housing

	A2502WV-05P	N	0	W	T1	N	K0	G
		①	②	③	④	⑤	⑥	⑦

① N=Halogen Free
② Material: 0=Nylon 66-V0
③ Color: W=White
④ Plating code: T1=Tin-plated
⑤ Plating code: N=Non-plating
⑥ Option code: K0=With pin kink
⑦ Packing code: G=Bag



Ordering Information & Dimensions:

PART NO.	Dimensions	
	A	B
A2502WV-02P	2.50	7.50
A2502WV-03P	5.00	10.00
A2502WV-04P	7.50	12.50
A2502WV-05P	10.00	15.00
A2502WV-06P	12.50	17.50
A2502WV-07P	15.00	20.00
A2502WV-08P	17.50	22.50
A2502WV-09P	20.00	25.00
A2502WV-10P	22.50	27.50
A2502WV-11P	25.00	30.00
A2502WV-12P	27.50	32.50
A2502WV-13P	30.00	35.00
A2502WV-14P	32.50	37.50
A2502WV-15P	35.00	40.00

Unit:mm

A2502WR

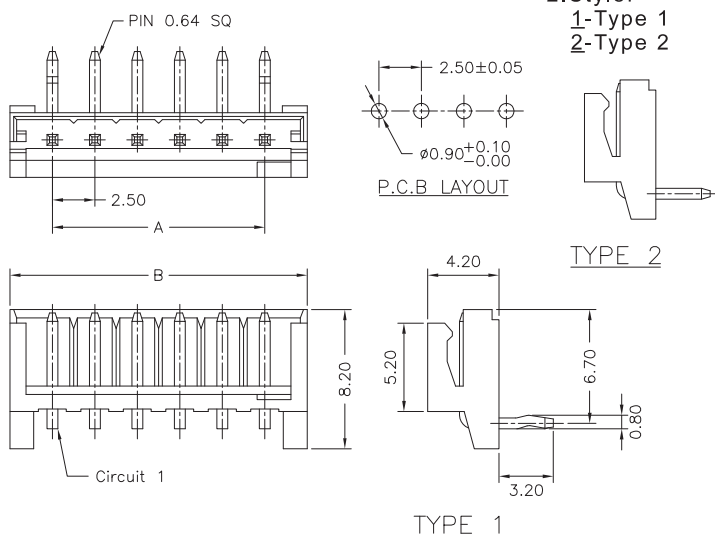
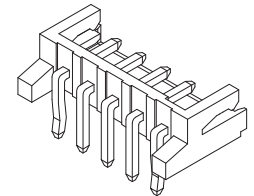
2.50mm pitch 90° Wafer

Reference Informations:

- *Material: Pin: Brass/Tin-plated
Wafer: Nylon 66,UL94V-0
- *Mates with A2502 series Housing

	A2502WR-05P	N	0	W	T1	N	K0	G
		①	②	③	④	⑤	⑥	⑦

① N=Halogen Free
② Material: 0=Nylon 66-V0
③ Color: W=White
④ Plating code: T1=Tin-plated
⑤ Plating code: N=Non-plating
⑥ Option code: K0=With pin kink, 00=Without pin kink
⑦ Packing code: G=Bag



Ordering Information:

A2502WR-XP *
1 2

- 1.Part No.
- 2.Style:
1-Type 1
2-Type 2

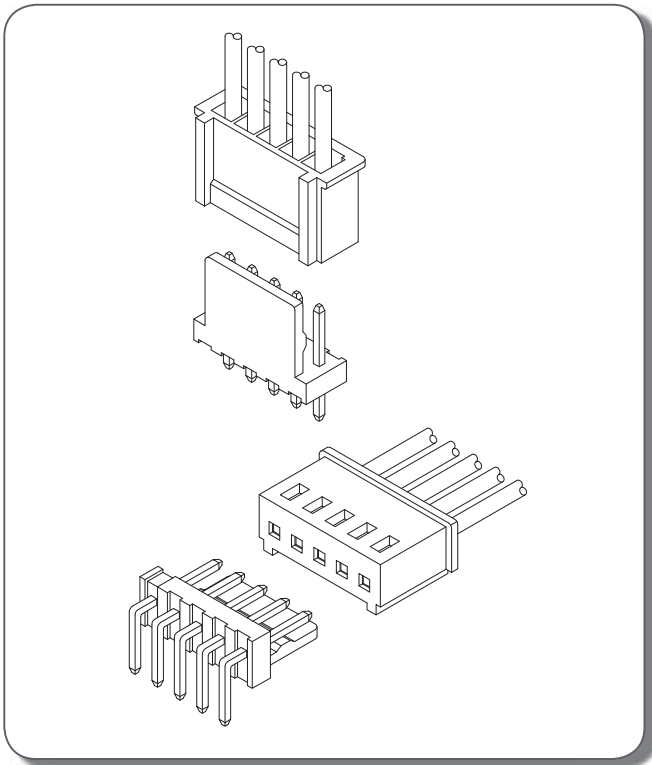
Ordering Information & Dimensions:

PART NO.	Dimensions	
	A	B
A2502WR-02P	2.50	7.50
A2502WR-03P	5.00	10.00
A2502WR-04P	7.50	12.50
A2502WR-05P	10.00	15.00
A2502WR-06P	12.50	17.50
A2502WR-07P	15.00	20.00
A2502WR-08P	17.50	22.50
A2502WR-09P	20.00	25.00
A2502WR-10P	22.50	27.50
A2502WR-11P	25.00	30.00
A2502WR-12P	27.50	32.50
A2502WR-13P	30.00	35.00
A2502WR-14P	32.50	37.50
A2502WR-15P	35.00	40.00

Unit:mm

A2503 SERIES

2.50mm pitch wire to board connector



Specifications

Current rating: 3A AC,DC
Voltage rating: 250V AC,DC
Temperature range: -25°C ~ +85°C
Contact resistance: 10mΩ Max.
Insulation resistance: 1000MΩ Min.
Withstanding voltage: 800V AC/minute

A

ST
HRJ
DC

Assembly layout

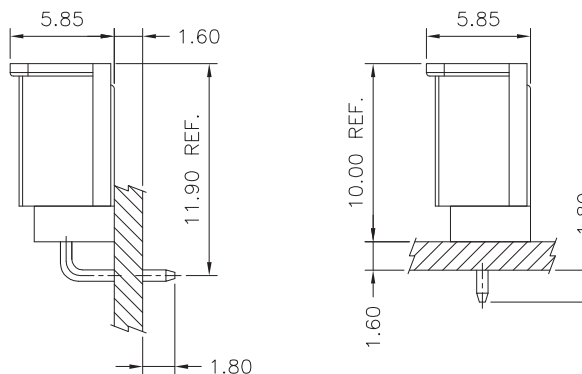
Standards



E179987



LR113464



Ordering code

① ② ③ ④
A2503-T B E

- ① Series No.
- ② Plating code: T=Tin-plated
- ③ Material: B=Brass
- ④ E=Stamping before plating

① ② ③
A2503 H-05P

- ① Series No.
- ② H=Housing
- ③ No. of circuits

① ② ③
A2503 WV-05P

- ① Series No.
- ② Connector type: WV=Vertical, WR=Right angle
- ③ No. of circuits

A2503 SERIES

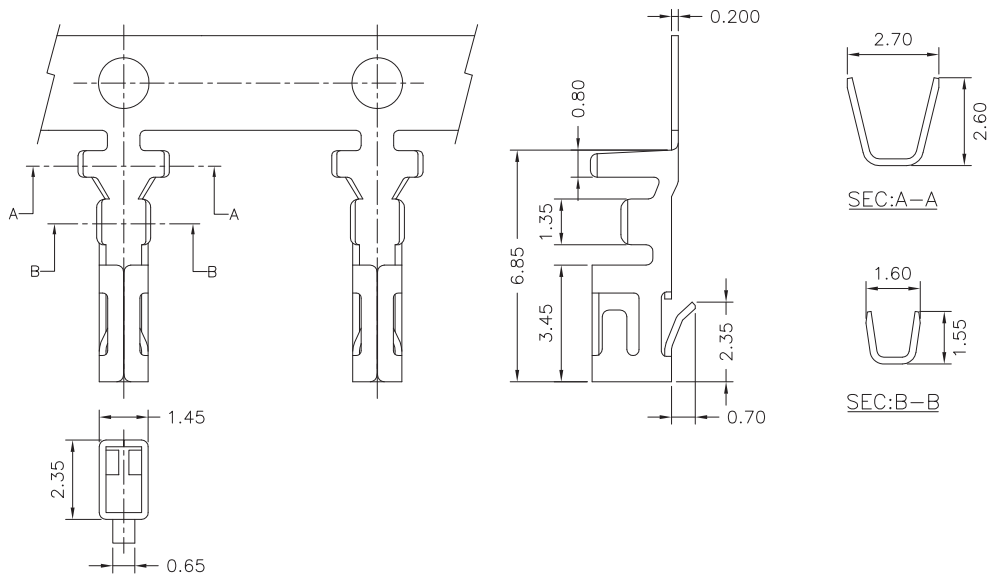
2.50mm pitch wire to board connector

A2503-T

2.50mm pitch Crimp Terminal

Reference Informations:

*Used in A2503 series Housing



Ordering Information & Specifications:

Unit:mm

Part No.	Wire Range	Insulation O.D.	Material	Finish	Qty/reel
A2503-TBE	AWG#22-#28	1.75mm(max)	Brass	Tin-plated	8,000pcs

Note:E-Stamping before Tin-plated

A2503H

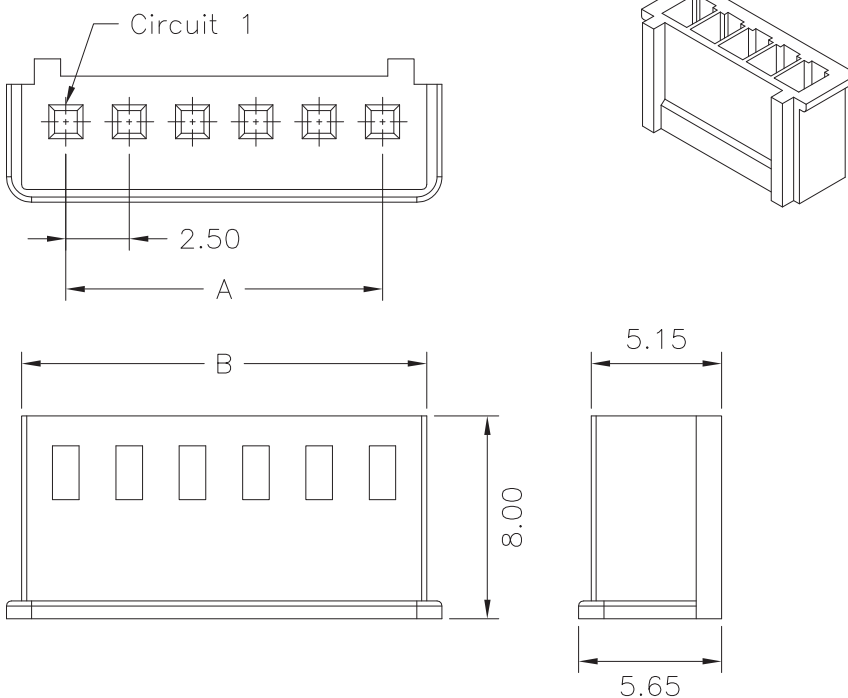
2.50mm pitch Housing

Reference Informations:

*Material: Nylon 66,UL94V-2

*Suitable A2503 series Terminal

*Mates with A2503 series Wafer



Ordering Information & Dimensions:

PART NO.	Dimensions	
	A	B
A2503H-02P	2.50	6.00
A2503H-03P	5.00	8.50
A2503H-04P	7.50	11.00
A2503H-05P	10.00	13.50
A2503H-06P	12.50	16.00
A2503H-07P	15.00	18.50
A2503H-08P	17.50	21.00
A2503H-09P	20.00	23.50
A2503H-10P	22.50	26.00
A2503H-11P	25.00	28.50
A2503H-12P	27.50	31.00
A2503H-13P	30.00	33.50
A2503H-14P	32.50	36.00
A2503H-15P	35.00	38.50
A2503H-16P	37.50	41.00
A2503H-17P	40.00	43.50
A2503H-18P	42.50	46.00
A2503H-19P	45.00	48.50
A2503H-20P	47.50	51.00

Unit:mm

A2503 SERIES

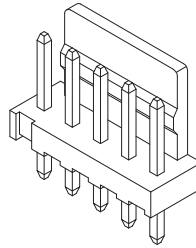
2.50mm pitch wire to board connector

A2503WV

2.50mm pitch 180° Wafer

Reference Informations:

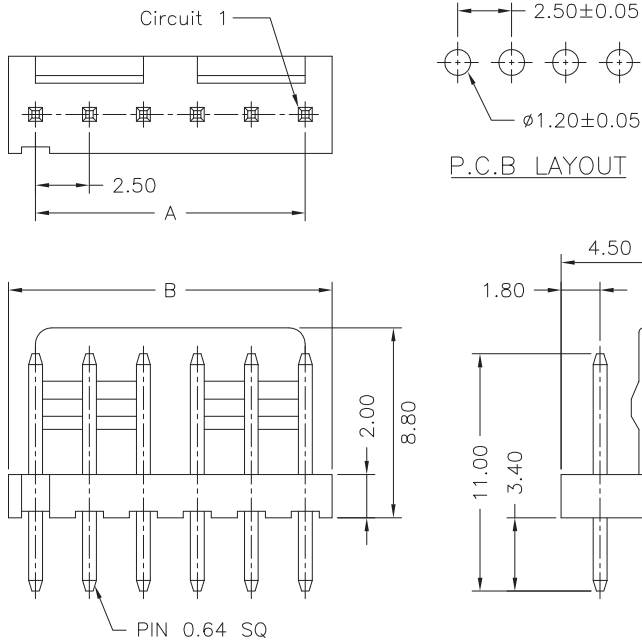
- *Material: Pin: Brass/Tin-plated
Wafer: Nylon 66,UL94V-2
- *Mates with A2503 series Housing



Ordering Information & Dimensions:

PART NO.	Dimensions	
	A	B
A2503WV-02P	2.50	5.00
A2503WV-03P	5.00	7.50
A2503WV-04P	7.50	10.00
A2503WV-05P	10.00	12.50
A2503WV-06P	12.50	15.00
A2503WV-07P	15.00	17.50
A2503WV-08P	17.50	20.00
A2503WV-09P	20.00	22.50
A2503WV-10P	22.50	25.00
A2503WV-11P	25.00	27.50
A2503WV-12P	27.50	30.00
A2503WV-13P	30.00	32.50
A2503WV-14P	32.50	35.00
A2503WV-15P	35.00	37.50
A2503WV-16P	37.50	40.00
A2503WV-17P	40.00	42.50
A2503WV-18P	42.50	45.00
A2503WV-19P	45.00	47.50
A2503WV-20P	47.50	50.00

Unit:mm



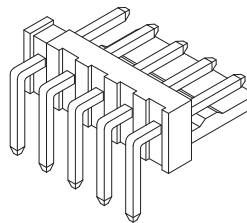
A
B
C
F
ST
HRJ
DC

A2503WR

2.50mm pitch 90° Wafer

Reference Informations:

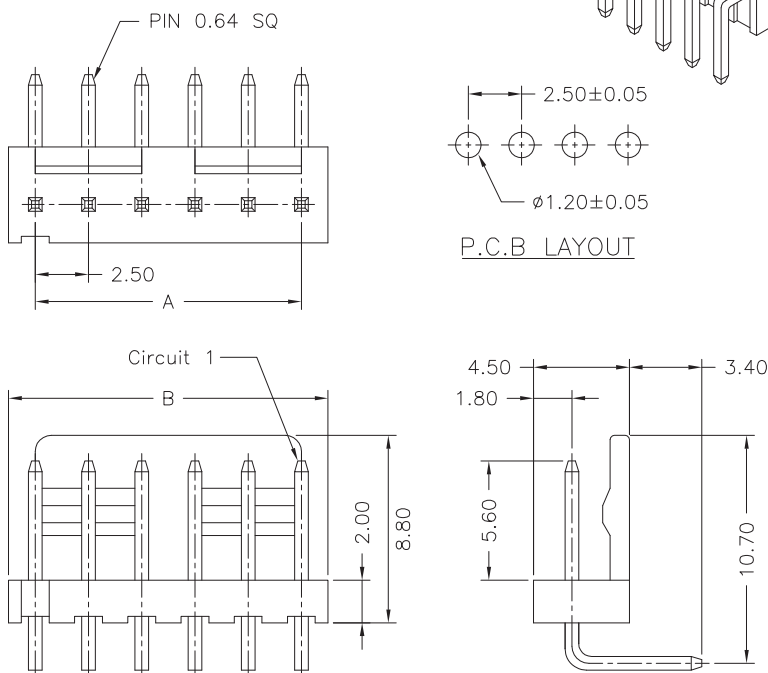
- *Material: Pin: Brass/Tin-plated
Wafer: Nylon 66,UL94V-2
- *Mates with A2503 series Housing



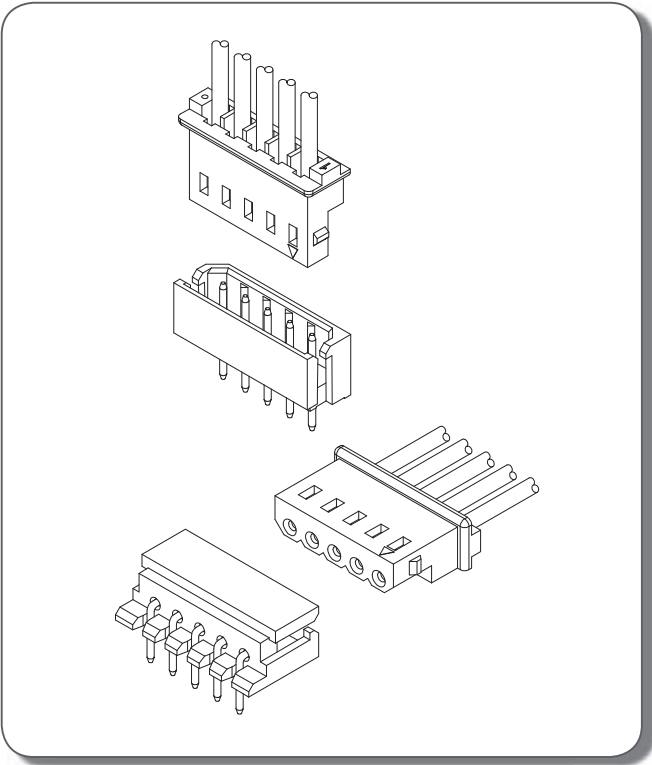
Ordering Information & Dimensions:

PART NO.	Dimensions	
	A	B
A2503WR-02P	2.50	5.00
A2503WR-03P	5.00	7.50
A2503WR-04P	7.50	10.00
A2503WR-05P	10.00	12.50
A2503WR-06P	12.50	15.00
A2503WR-07P	15.00	17.50
A2503WR-08P	17.50	20.00
A2503WR-09P	20.00	22.50
A2503WR-10P	22.50	25.00
A2503WR-11P	25.00	27.50
A2503WR-12P	27.50	30.00
A2503WR-13P	30.00	32.50
A2503WR-14P	32.50	35.00
A2503WR-15P	35.00	37.50
A2503WR-16P	37.50	40.00
A2503WR-17P	40.00	42.50
A2503WR-18P	42.50	45.00
A2503WR-19P	45.00	47.50
A2503WR-20P	47.50	50.00

Unit:mm



A
B
C
F
ST
HRJ
DC



Specifications

- Current rating: 3A AC,DC
- Voltage rating: 250V AC,DC
- Temperature range: -25°C ~ +85°C
- Contact resistance: 20mΩ Max.
- Insulation resistance: 1000MΩ Min.
- Withstanding voltage: 1000V AC/minute

Standards

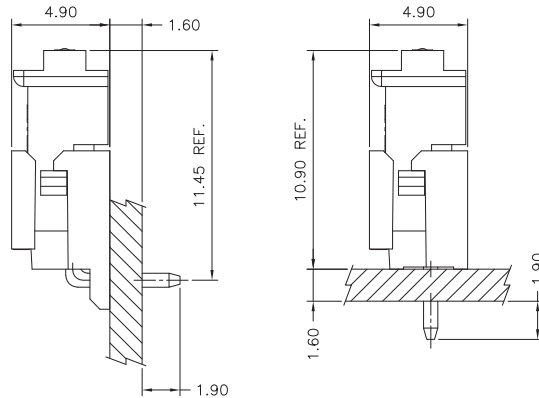


E179987



LR113464

Assembly layout



Ordering code

① ② ③ ④
A2506-T P E

- ① Series No.
- ② Plating code: T=Tin-plated
- ③ Material: P=Phosphor bronze
- ④ E=Stamping before plating

① ② ③
A2506 H-05P

- ① Series No.
- ② H=Housing
- ③ No. of circuits

① ② ③ ④
A2506 WV-05P 6TG

- ① Series No.
- ② Connector type: WV=Vertical, WR=Right angle
- ③ No. of circuits
- ④ Option code:
6TG=Nylon 6T, Gold-flash

A2506 SERIES

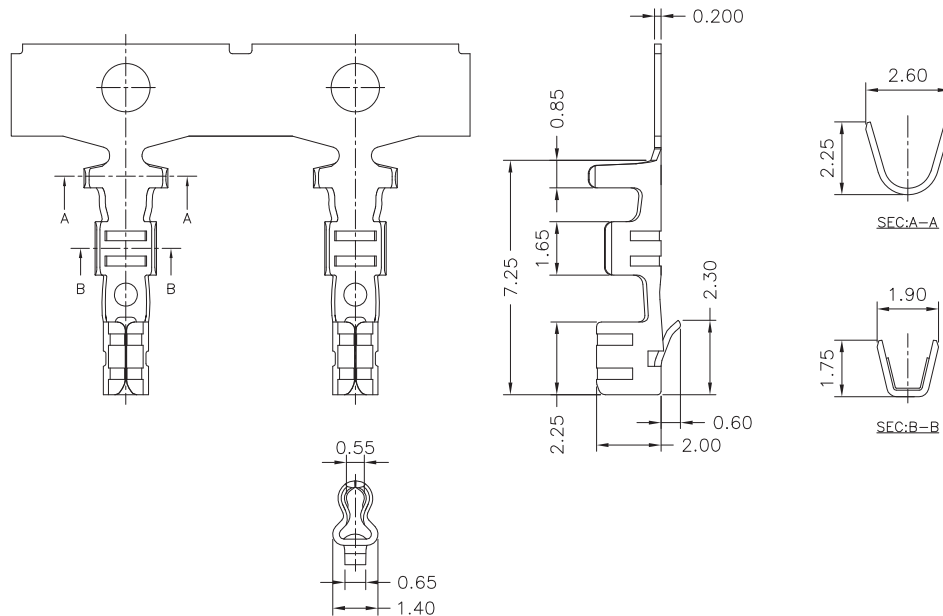
2.50mm pitch wire to board connector

A2506-T

2.50mm pitch Crimp Terminal

Reference Informations:

*Used in A2506 series Housing



A
B
C
F
ST
HRJ
DC

Ordering Information & Specifications:

Unit:mm

Part No.	Wire Range	Insulation O.D.	Material	Finish	Qty/reel
A2506-TPE	AWG#22-#28	1.90mm(max)	Phosphor Bronze	Tin-plated	10,000pcs

Note:E-Stamping before Tin-plated

A2506H

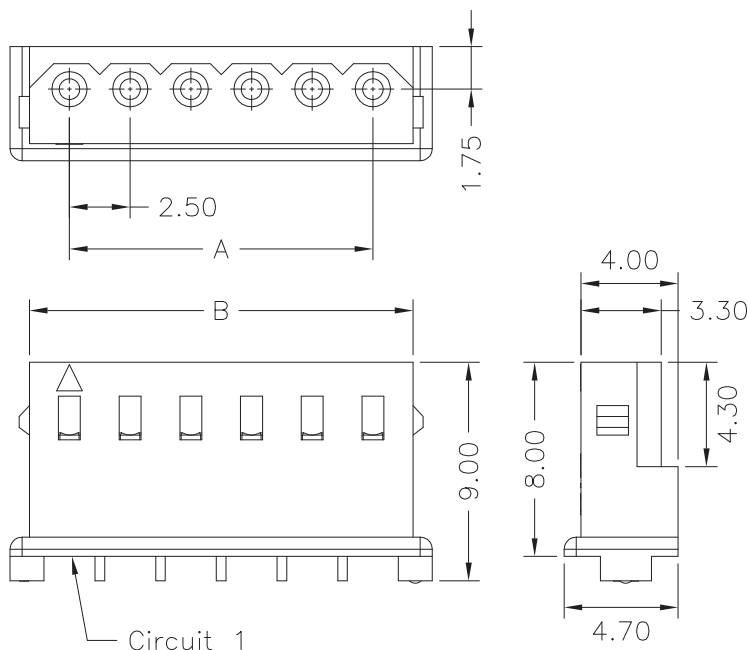
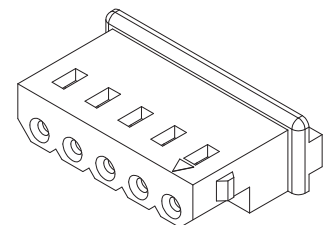
2.50mm pitch Housing

Reference Informations:

*Material: Nylon 66,UL94V-0

*Suitable A2506 series Terminal

*Mates with A2506 series Wafer



Ordering Information & Dimensions:

PART NO.	Dimensions	
	A	B
A2506H-02P	2.50	5.80
A2506H-03P	5.00	8.30
A2506H-04P	7.50	10.80
A2506H-05P	10.00	13.30
A2506H-06P	12.50	15.80
A2506H-07P	15.00	18.30
A2506H-08P	17.50	20.80
A2506H-09P	20.00	23.30
A2506H-10P	22.50	25.80
A2506H-11P	25.00	28.30
A2506H-12P	27.50	30.80
A2506H-13P	30.00	33.30
A2506H-14P	32.50	35.80
A2506H-15P	35.00	38.30
A2506H-16P	37.50	40.80

Unit:mm

A2506 SERIES

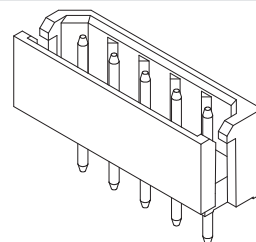
2.50mm pitch wire to board connector

A2506WV

2.50mm pitch 180° Wafer

Reference Informations:

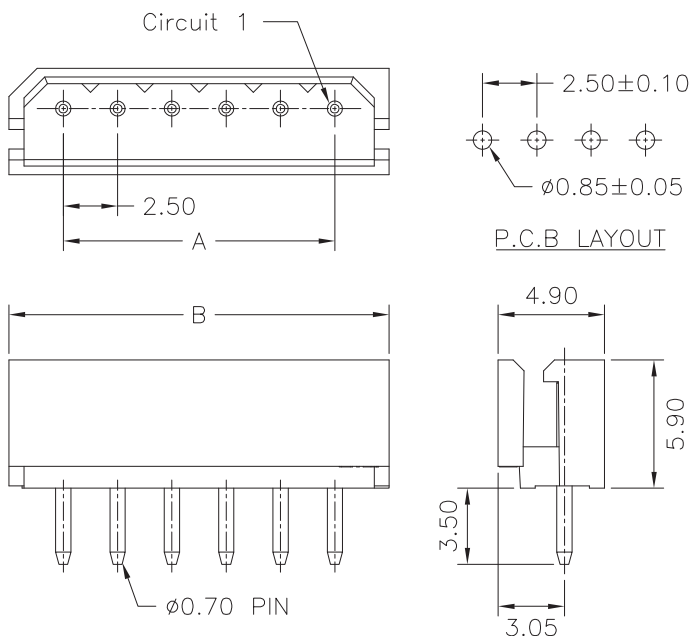
- *Material: Pin: Brass/Tin-plated
Wafer: Nylon 66,UL94V-0
- *Mates with A2506 series Housing
- *Nylon 6T is available



Ordering Information & Dimensions:

PART NO.	Dimensions	
	A	B
A2506WV-02P	2.50	7.50
A2506WV-03P	5.00	10.00
A2506WV-04P	7.50	12.50
A2506WV-05P	10.00	15.00
A2506WV-06P	12.50	17.50
A2506WV-07P	15.00	20.00
A2506WV-08P	17.50	22.50
A2506WV-09P	20.00	25.00
A2506WV-10P	22.50	27.50
A2506WV-11P	25.00	30.00
A2506WV-12P	27.50	32.50
A2506WV-13P	30.00	35.00
A2506WV-14P	32.50	37.50
A2506WV-15P	35.00	40.00
A2506WV-16P	37.50	42.50

Unit:mm

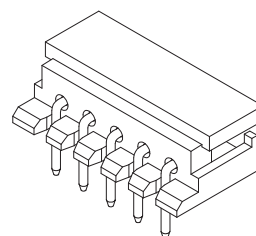


A2506WR

2.50mm pitch 90° Wafer

Reference Informations:

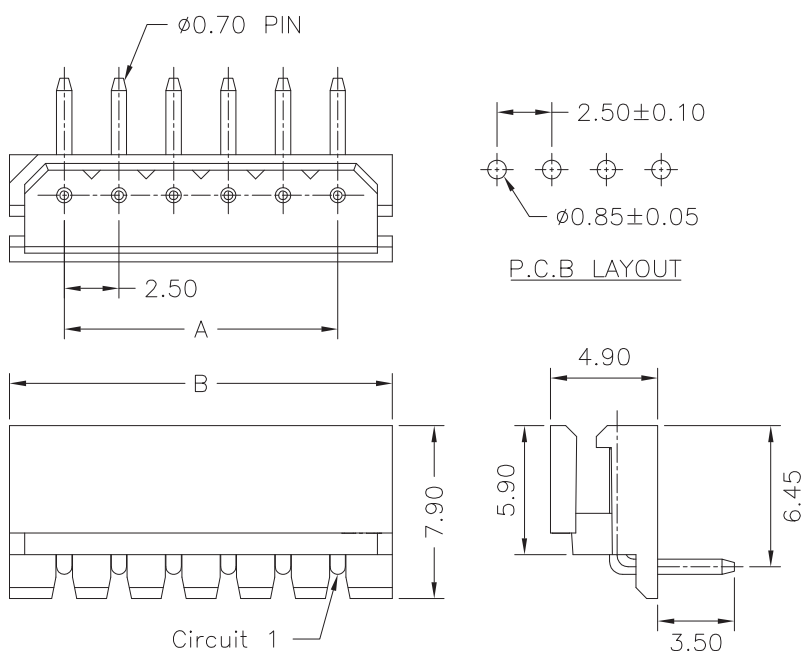
- *Material: Pin: Brass/Tin-plated
Wafer: Nylon 66,UL94V-0
- *Mates with A2506 series Housing
- *Nylon 6T is available

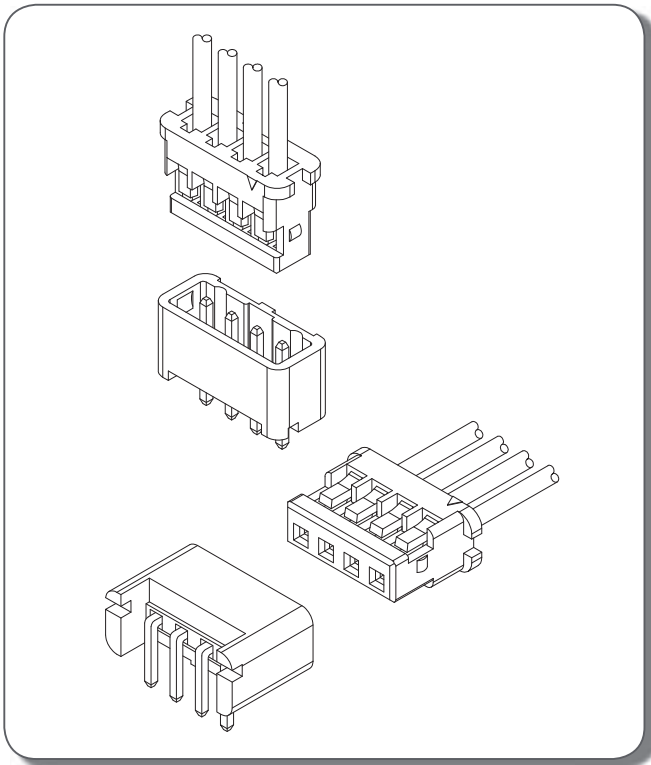


Ordering Information & Dimensions:

PART NO.	Dimensions	
	A	B
A2506WR-02P	2.50	7.50
A2506WR-03P	5.00	10.00
A2506WR-04P	7.50	12.50
A2506WR-05P	10.00	15.00
A2506WR-06P	12.50	17.50
A2506WR-07P	15.00	20.00
A2506WR-08P	17.50	22.50
A2506WR-09P	20.00	25.00
A2506WR-10P	22.50	27.50
A2506WR-11P	25.00	30.00
A2506WR-12P	27.50	32.50
A2506WR-13P	30.00	35.00
A2506WR-14P	32.50	37.50
A2506WR-15P	35.00	40.00
A2506WR-16P	37.50	42.50

Unit:mm



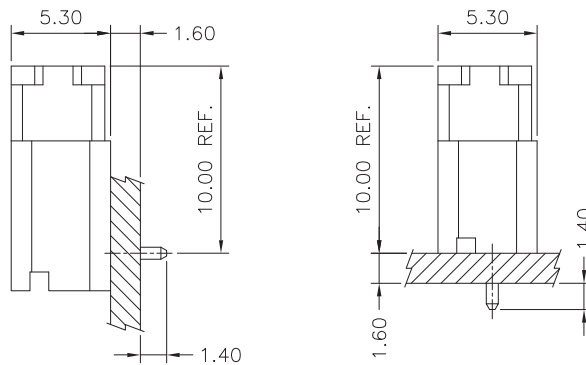


Specifications

Current rating: 3A AC,DC
 Voltage rating: 500V AC,DC
 Temperature range: -25°C ~ +85°C
 Contact resistance: 20mΩ Max.
 Insulation resistance: 500MΩ Min.
 Withstanding voltage: 1000V AC/minute

A
B
C
F
ST
HRJ
DC

Assembly layout



Ordering code

① A2507 ② H-③ 05P

- ① Series No.
- ② H=Housing
- ③ No. of circuits

① A2507 ② WV-③ 05P

- ① Series No.
- ② Connector type: WV=Vertical, WR=Right angle
- ③ No. of circuits

A2507 SERIES

2.50mm pitch wire to board connector

A2507H

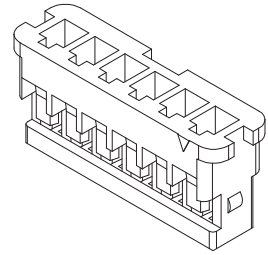
2.50mm pitch Housing

Reference Informations:

- *Material: PBT,UL94V-0
- *Suitable A2502 series Terminal
- *Mates with A2507 series Wafer

	A2507H-05P	N	0	B	NP	N	00	G
		①	②	③	④	⑤	⑥	⑦

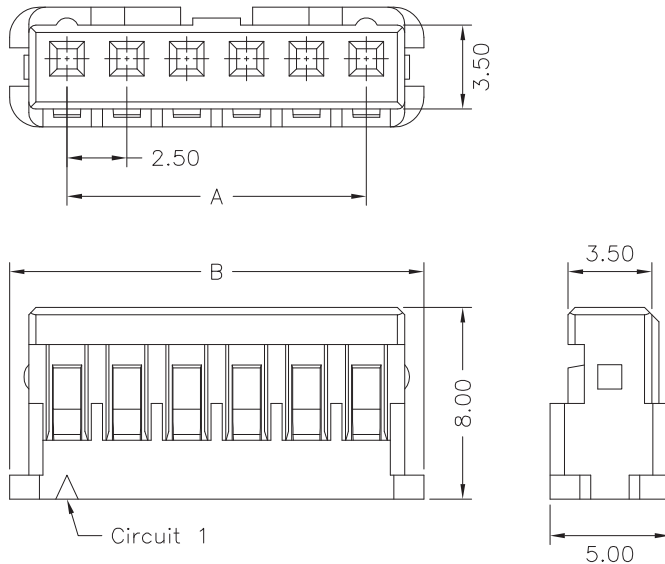
① N=Halogen Free
② Material: 0=Nylon 66-V0
③ Color: B=Black
④ Plating code: NP=Non-plating
⑤ Plating code: N=Non-plating
⑥ Option code: 00=Standard
⑦ Packing code: G=Bag



Ordering Information & Dimensions:

PART NO.	Dimensions	
	A	B
A2507H-02P	2.50	7.30
A2507H-03P	5.00	9.80
A2507H-04P	7.50	12.30
A2507H-05P	10.00	14.80
A2507H-06P	12.50	17.30
A2507H-07P	15.00	19.80
A2507H-08P	17.50	22.30
A2507H-09P	20.00	24.80
A2507H-10P	22.50	27.30
A2507H-11P	25.00	29.80
A2507H-12P	27.50	32.30
A2507H-13P	30.00	34.80
A2507H-14P	32.50	37.30
A2507H-15P	35.00	39.80

Unit:mm



A2507WV

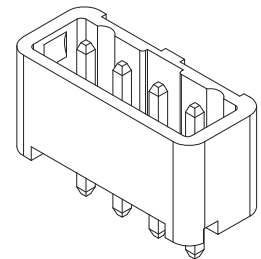
2.50mm pitch 180° Wafer

Reference Informations:

- *Material: Pin: Brass/Tin-plated
Wafer: PBT,UL94V-0
- *Mates with A2507 series Housing

	A2507WV-05P	N	P	B	T1	N	00	G
		①	②	③	④	⑤	⑥	⑦

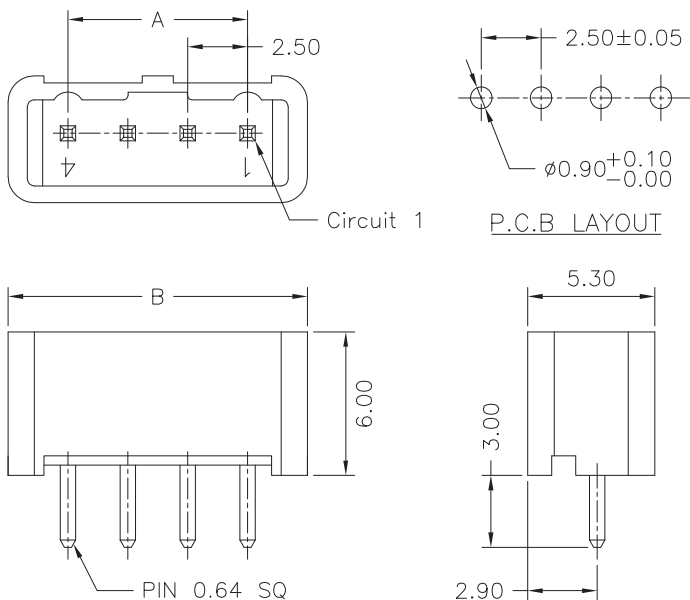
① N=Halogen Free
② Material: P=PBT
③ Color: B=Black
④ Plating code: T1=Tin-plated
⑤ Plating code: N=Non-plating
⑥ Option code: 00=Standard
⑦ Packing code: G=Bag



Ordering Information & Dimensions:

PART NO.	Dimensions	
	A	B
A2507WV-02P	2.50	7.50
A2507WV-03P	5.00	10.00
A2507WV-04P	7.50	12.50
A2507WV-05P	10.00	15.00
A2507WV-06P	12.50	17.50
A2507WV-07P	15.00	20.00
A2507WV-08P	17.50	22.50
A2507WV-09P	20.00	25.00
A2507WV-10P	22.50	27.50
A2507WV-11P	25.00	30.00
A2507WV-12P	27.50	32.50
A2507WV-13P	30.00	35.00
A2507WV-14P	32.50	37.50
A2507WV-15P	35.00	40.00

Unit:mm



A2507WR

2.50mm pitch 90° Wafer

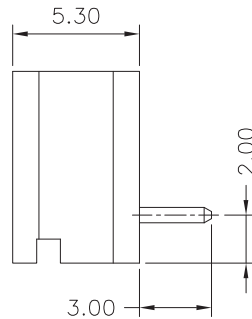
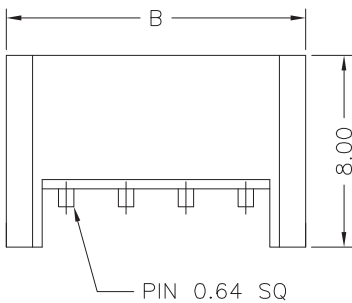
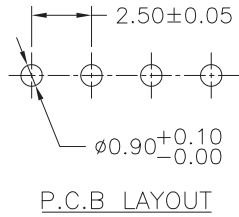
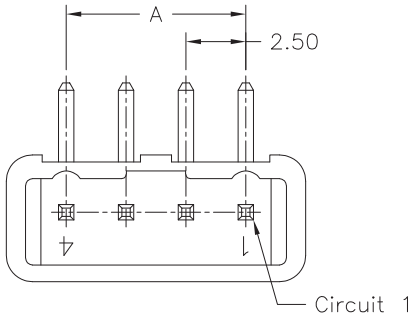
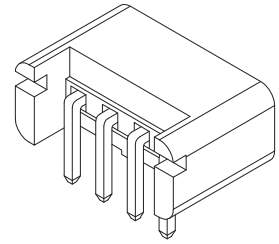
Reference Informations:

*Material: Pin: Brass/Tin-plated

Wafer: PBT,UL94V-0

*Mates with A2507 series Housing

	A2507WR-05P						
	N	P	B	T1	N	00	G
①	②	③	④	⑤	⑥	⑦	
① N=Halogen Free ② Material: P=PBT ③ Color: B=Black ④ Plating code: T1=Tin-plated ⑤ Plating code: N=Non-plating ⑥ Option code: 00=Standard ⑦ Packing code: G=Bag							



Ordering Information & Dimensions:

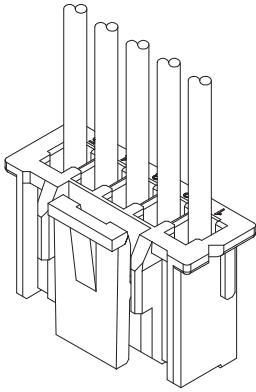
PART NO.	Dimensions	
	A	B
A2507WR-02P	2.50	7.50
A2507WR-03P	5.00	10.00
A2507WR-04P	7.50	12.50
A2507WR-05P	10.00	15.00
A2507WR-06P	12.50	17.50
A2507WR-07P	15.00	20.00
A2507WR-08P	17.50	22.50
A2507WR-09P	20.00	25.00
A2507WR-10P	22.50	27.50
A2507WR-11P	25.00	30.00
A2507WR-12P	27.50	32.50
A2507WR-13P	30.00	35.00
A2507WR-14P	32.50	37.50
A2507WR-15P	35.00	40.00

Unit:mm

A
B
C
F
ST
HRJ
DC

Specifications

Current rating: 3A AC,DC
Voltage rating: 250V AC,DC
Temperature range: -25°C ~ +85°C
Contact resistance: 10mΩ Max.
Insulation resistance: 1000MΩ Min.
Withstanding voltage: 1000V AC/minute



Ordering code

① ② ③ ④
A2508 - T P E

- ① Series No.
- ② Plating code: T=Tin-plated
- ③ Material: P=Phosphor bronze
- ④ E=Stamping before plating

① ② ③
A2508 H - 05P

- ① Series No.
- ② H=Housing
- ③ No. of circuits

A2508 SERIES

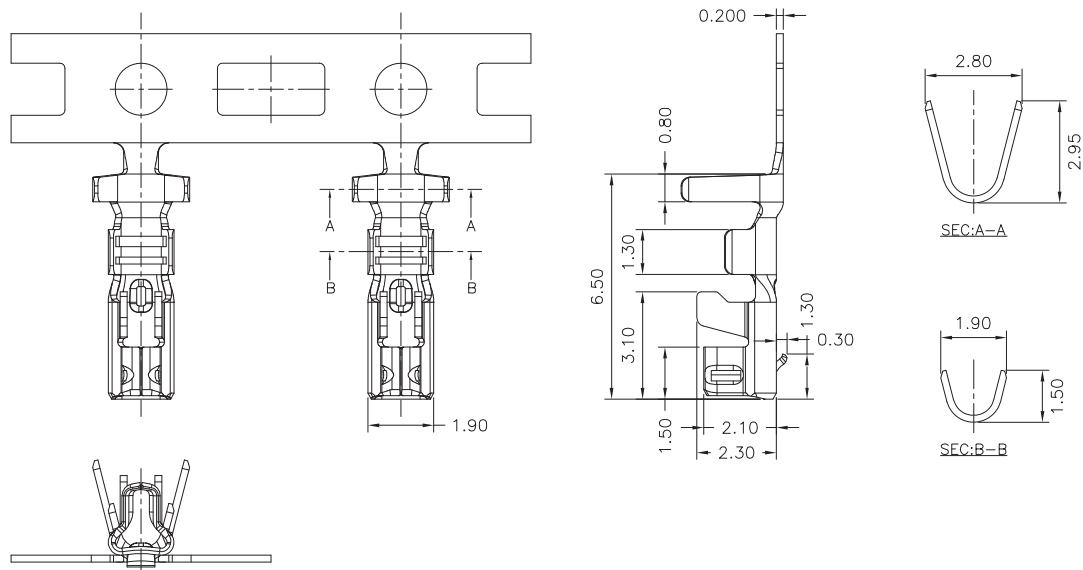
2.50mm pitch wire to board connector

A2508-T

2.50mm pitch Crimp Terminal

Reference Informations:

*Used in A2508 series Housing



A
B
C
F
ST
HRJ
DC

Ordering Information & Specifications:

Unit:mm

Part No.	Wire Range	Insulation O.D.	Material	Finish	Qty/reel
A2508-TPE	AWG#20-#28	1.90mm(max)	Phosphor Bronze	Tin-plated	8,000pcs

Note:E-Stamping before Tin-plated

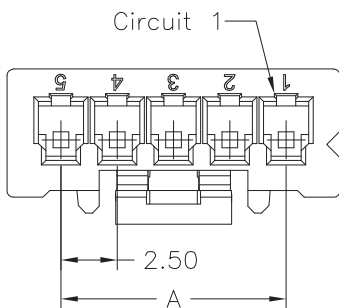
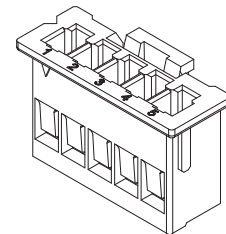
A2508H

2.50mm pitch Housing

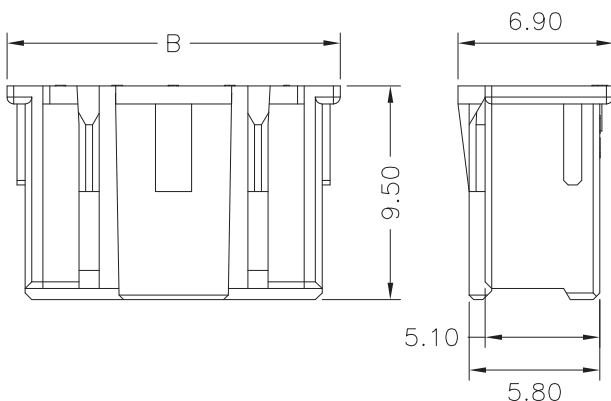
Reference Informations:

*Material: Nylon 66,UL94V-0

*Suitable A2508 series Terminal



A2508H-05P		N	0	W	NP	N	00	G
		①	②	③	④	⑤	⑥	⑦
① N=Halogen Free								
② Material: 0=Nylon 66-V0								
③ Color: W=White								
④ Plating code: NP=Non-plating								
⑤ Plating code: N=Non-plating								
⑥ Option code: 00=Standard								
⑦ Packing code: G=Bag								

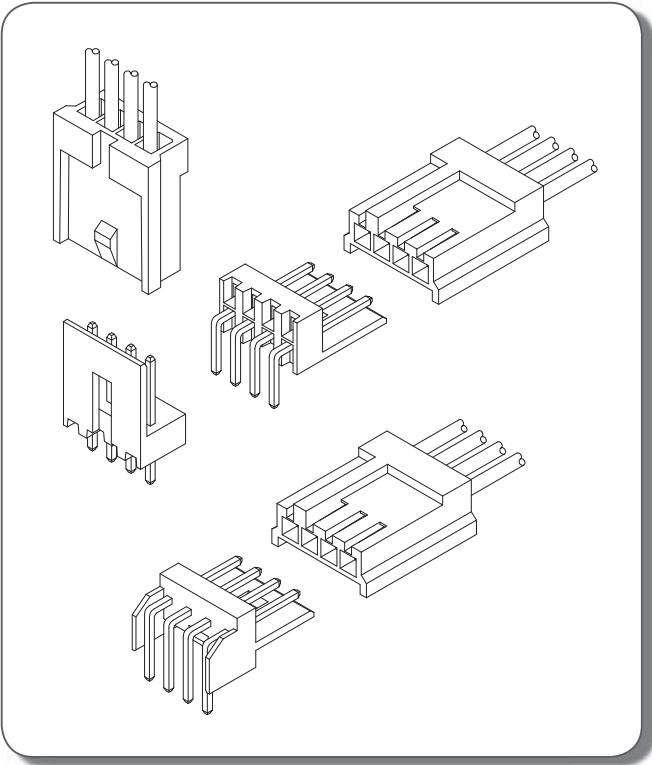


Ordering Information & Dimensions:

PART NO.	Dimensions	
	A	B
A2508H-02P	2.50	7.30
A2508H-03P	5.00	9.80
A2508H-04P	7.50	12.30
A2508H-05P	10.00	14.80
A2508H-06P	12.50	17.30
A2508H-07P	15.00	19.80
A2508H-08P	17.50	22.30
A2508H-09P	20.00	24.80
A2508H-10P	22.50	27.30
A2508H-11P	25.00	29.80
A2508H-12P	27.50	32.30
A2508H-13P	30.00	34.80
A2508H-14P	32.50	37.30
A2508H-15P	35.00	39.80
A2508H-20P	47.50	52.30

Unit:mm

A
B
C
F
ST
HRJ
DC



Specifications

Current rating: 3A AC,DC
 Voltage rating: 250V AC,DC
 Temperature range: -25°C ~ +85°C
 Contact resistance: 10mΩ Max.
 Insulation resistance: 500MΩ Min.
 Withstanding voltage: 800V AC/minute

Standards



E179987

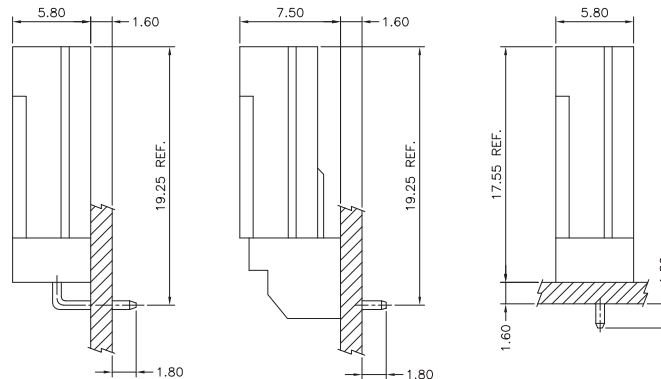


LR113464



R 3-50004394

Assembly layout



Ordering code

① ② ③ ④
A2540-T B E

- ① Series No.
- ② Plating code: T=Tin-plated
- ③ Material: B=Brass
- ④ E=Stamping before plating

① ② ③
A2540 H-05P

- ① Series No.
- ② H=Housing
- ③ No. of circuits

① ② ③ ④ ⑤
A2540 WV A-05P 46G

- ① Series No.
- ② Connector type: WV=Vertical, WR=Right angle
- ③ Blank=Normal type
 A=A Type
 R=Right angle type
- ④ No. of circuits
- ⑤ Option code:
 1=Type 1
 2=Type 2
 46G=Nylon 46, Gold-flash

A2540 SERIES

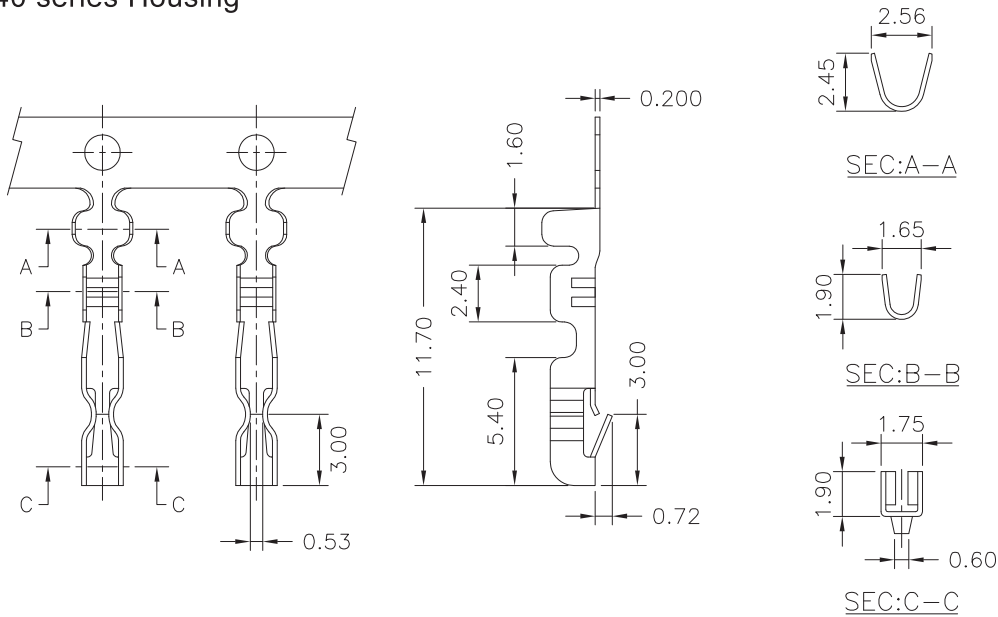
2.50mm pitch wire to board connector

A2540-T

2.50mm pitch Crimp Terminal

Reference Informations:

*Used in A2540 series Housing



A
B
C
F
ST
HRJ
DC

Ordering Information & Specifications:

Unit:mm

Part No.	Wire Range	Insulation O.D.	Material	Finish	Qty/reel
A2540-TBE	AWG#20-#26	1.90mm(max)	Brass	Tin-plated	10,000pcs

Note:E-Stamping before Tin-plated

A2540H

2.50mm pitch Housing

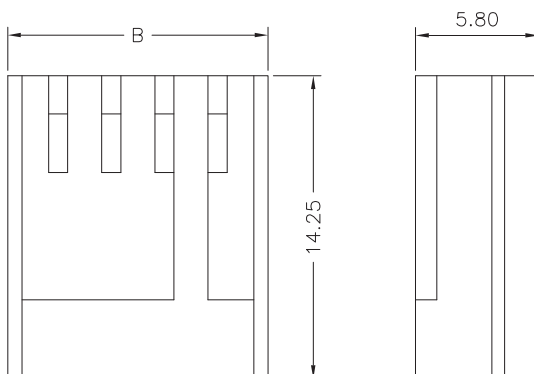
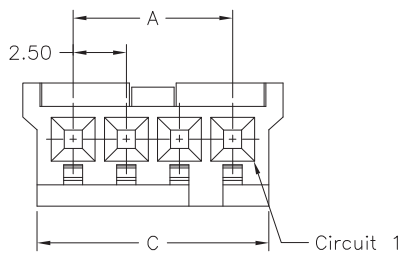
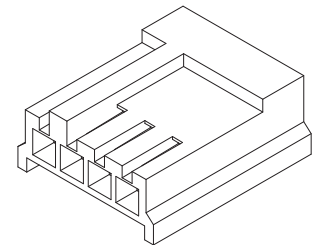
Reference Informations:

*Material: Nylon 66,UL94V-0

*Suitable A2540 series Terminal

*Mates with A2540 series Wafer

A2540H-05P		N	Q	W	NP	N	00	G
		①	②	③	④	⑤	⑥	⑦
①	N=Halogen Free							
②	Material: 0=Nylon 66-V0							
③	Color: W=White							
④	Plating code: NP=Non-plating							
⑤	Plating code: N=Non-plating							
⑥	Option code: 00=Standard							
⑦	Packing code: G=Bag							



Ordering Information & Dimensions:

PART NO.	Dimensions		
	A	B	C
A2540H-02P	2.50	7.25	5.90
A2540H-03P	5.00	9.75	8.40
A2540H-04P	7.50	12.25	10.90
A2540H-05P	10.00	14.75	13.40
A2540H-06P	12.50	17.25	15.90
A2540H-07P	15.00	19.75	18.40
A2540H-08P	17.50	22.25	20.90
A2540H-09P	20.00	24.75	23.40
A2540H-10P	22.50	27.25	25.90
A2540H-11P	25.00	29.75	28.40
A2540H-12P	27.50	32.25	30.90
A2540H-13P	30.00	34.75	33.40
A2540H-14P	32.50	37.25	35.90
A2540H-15P	35.00	39.75	38.40

Unit:mm

A2540 SERIES

2.50mm pitch wire to board connector

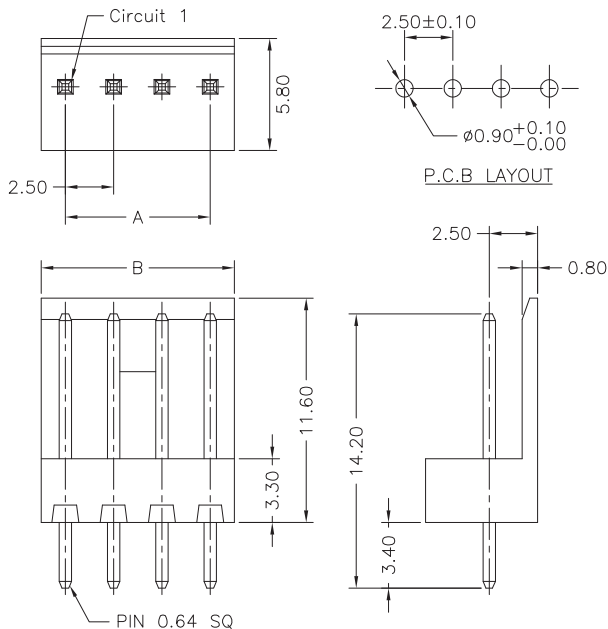
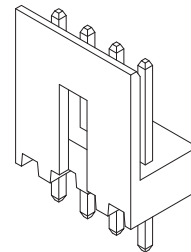
A2540WV

—2.50mm pitch 180° Wafer—

Reference Informations:

- *Material: Pin: Brass/Tin-plated
Wafer: Nylon 66,UL94V-0
- *Mates with A2540 series Housing
- *Nylon 46 is available

	A2540WV-05P	N	0	W	T1	N	00	G
		①	②	③	④	⑤	⑥	⑦
①	N=Halogen Free							
②	Material: 0=Nylon 66-V0, 6=Nylon 6T							
③	Color: W=White, B=Black							
④	Plating code: T1=Tin-plated, G1=Gold-flash							
⑤	Plating code: N=Non-plating							
⑥	Option code: 00=Standard							
⑦	Packing code: G=Bag							



Ordering Information & Dimensions:

PART NO.	Dimensions	
	A	B
A2540WV-02P	2.50	5.00
A2540WV-03P	5.00	7.50
A2540WV-04P	7.50	10.00
A2540WV-05P	10.00	12.50
A2540WV-06P	12.50	15.00
A2540WV-07P	15.00	17.50
A2540WV-08P	17.50	20.00
A2540WV-09P	20.00	22.50
A2540WV-10P	22.50	25.00
A2540WV-11P	25.00	27.50
A2540WV-12P	27.50	30.00
A2540WV-13P	30.00	32.50
A2540WV-14P	32.50	35.00
A2540WV-15P	35.00	37.50

Unit:mm

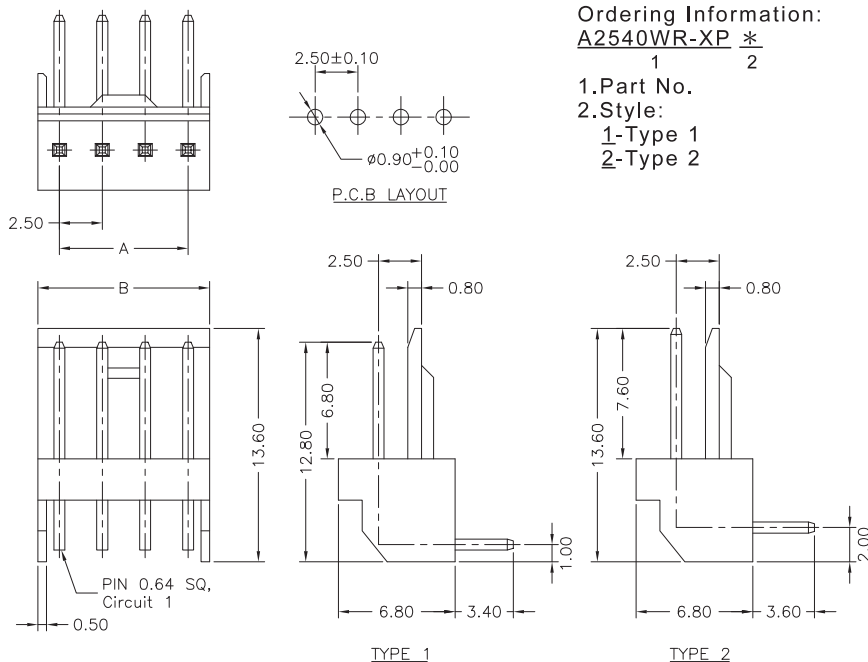
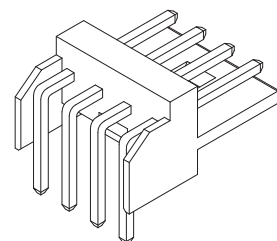
A2540WR

—2.50mm pitch 90° Wafer—

Reference Informations:

- *Material: Pin: Brass/Tin-plated
Wafer: Nylon 66,UL94V-0
- *Mates with A2540 series Housing
- *Nylon 46 is available

	A2540WR-05P	N	0	W	T1	N	10	G
		①	②	③	④	⑤	⑥	⑦
①	N=Halogen Free							
②	Material: 0=Nylon 66-V0, 6=Nylon 6T							
③	Color: W=White, B=Black							
④	Plating code: T1=Tin-plated, G1=Gold-flash							
⑤	Plating code: N=Non-plating							
⑥	Option code: 10=Type 1, 20=Type 2							
⑦	Packing code: G=Bag							



Ordering Information:

A2540WR-XP *
1 2

- Part No.
- Style:
1-Type 1
2-Type 2

Ordering Information & Dimensions:

PART NO.	Dimensions	
	A	B
A2540WR-02P	2.50	5.00
A2540WR-03P	5.00	7.50
A2540WR-04P	7.50	10.00
A2540WR-05P	10.00	12.50
A2540WR-06P	12.50	15.00
A2540WR-07P	15.00	17.50
A2540WR-08P	17.50	20.00
A2540WR-09P	20.00	22.50
A2540WR-10P	22.50	25.00
A2540WR-11P	25.00	27.50
A2540WR-12P	27.50	30.00
A2540WR-13P	30.00	32.50
A2540WR-14P	32.50	35.00
A2540WR-15P	35.00	37.50

Unit:mm

A2540 SERIES

2.50mm pitch wire to board connector

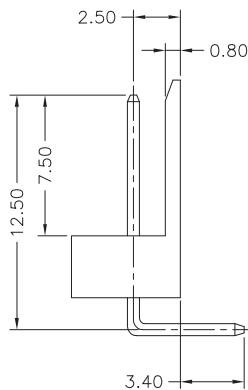
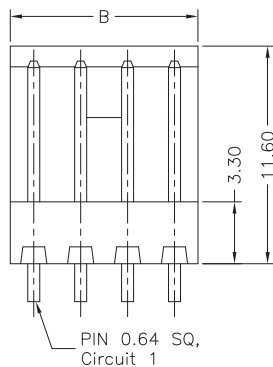
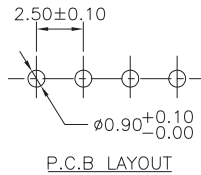
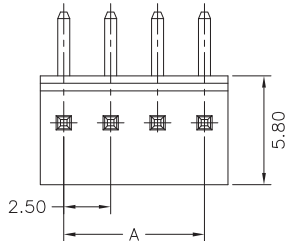
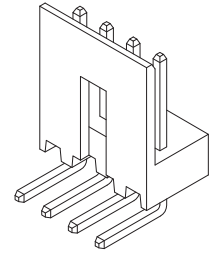
A2540WVR

—2.50mm pitch 90° Wafer—

Reference Informations:

- *Material: Pin: Brass/Tin-plated
Wafer: Nylon 66,UL94V-0
- *Mates with A2540 series Housing
- *Nylon 46 is available

	A2540WVR-05P N 0 W T1 N 00 G						
	①	②	③	④	⑤	⑥	⑦
①	N=Halogen Free						
②	Material: 0=Nylon 66-V0, 6=Nylon 6T						
③	Color: W=White, B=Black						
④	Plating code: T1=Tin-plated, G1=Gold-flash						
⑤	Plating code: N=Non-plating						
⑥	Option code: 00=Standard						
⑦	Packing code: G=Bag						



Ordering Information & Dimensions:

PART NO.	Dimensions	
	A	B
A2540WVR-02P	2.50	5.00
A2540WVR-03P	5.00	7.50
A2540WVR-04P	7.50	10.00
A2540WVR-05P	10.00	12.50
A2540WVR-06P	12.50	15.00
A2540WVR-07P	15.00	17.50
A2540WVR-08P	17.50	20.00
A2540WVR-09P	20.00	22.50
A2540WVR-10P	22.50	25.00
A2540WVR-11P	25.00	27.50
A2540WVR-12P	27.50	30.00
A2540WVR-13P	30.00	32.50
A2540WVR-14P	32.50	35.00
A2540WVR-15P	35.00	37.50

Unit:mm

A
B
C
F
ST
HRJ
DC

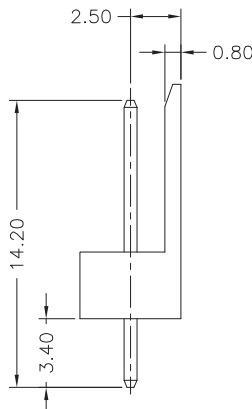
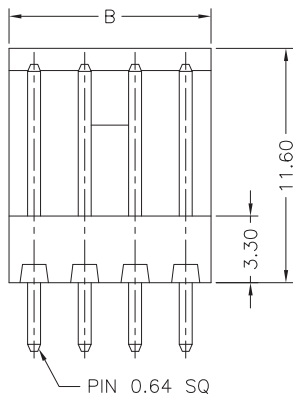
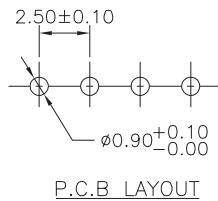
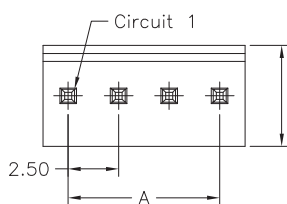
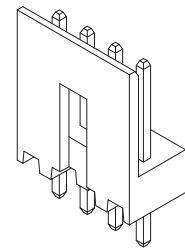
A2540WVA

—2.50mm pitch 180° Wafer—

Reference Informations:

- *Material: Pin: Brass/Tin-plated
Wafer: Nylon 66,UL94V-0
- *Mates with A2540 series Housing
- *Nylon 46 is available

	A2540WVA-05P N 0 W T1 N 00 G						
	①	②	③	④	⑤	⑥	⑦
①	N=Halogen Free						
②	Material: 0=Nylon 66-V0, 6=Nylon 6T						
③	Color: W=White, B=Black						
④	Plating code: T1=Tin-plated, G1=Gold-flash						
⑤	Plating code: N=Non-plating						
⑥	Option code: 00=Standard						
⑦	Packing code: G=Bag						

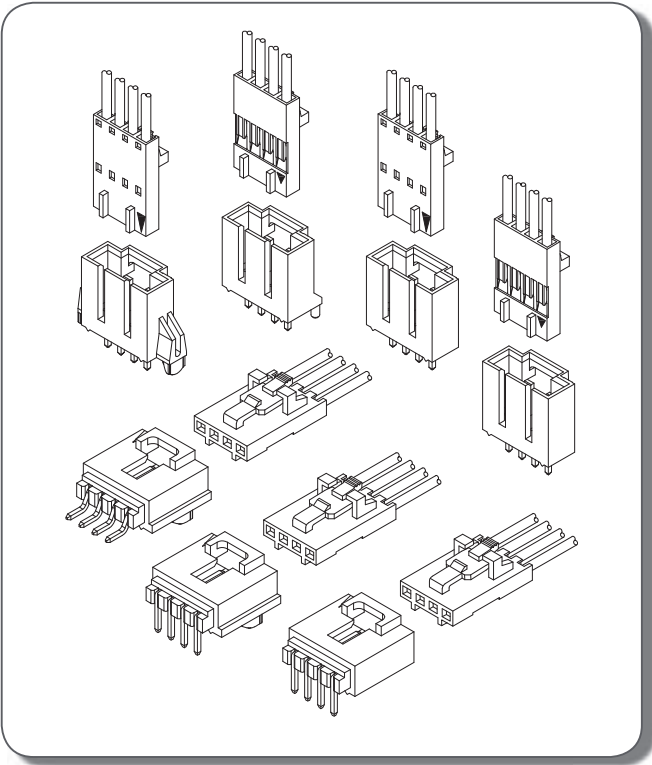


Ordering Information & Dimensions:

PART NO.	Dimensions	
	A	B
A2540WVA-02P	2.50	5.00
A2540WVA-03P	5.00	7.50
A2540WVA-04P	7.50	10.00
A2540WVA-05P	10.00	12.50
A2540WVA-06P	12.50	15.00
A2540WVA-07P	15.00	17.50
A2540WVA-08P	17.50	20.00
A2540WVA-09P	20.00	22.50
A2540WVA-10P	22.50	25.00
A2540WVA-11P	25.00	27.50
A2540WVA-12P	27.50	30.00
A2540WVA-13P	30.00	32.50
A2540WVA-14P	32.50	35.00
A2540WVA-15P	35.00	37.50

Unit:mm

A
B
C
F
ST
HRJ
DC



Specifications

Current rating: 3A AC,DC
 Voltage rating: 250V AC,DC
 Temperature range: -25°C ~ +85°C
 Contact resistance: 20mΩ Max.
 Insulation resistance: 1000MΩ Min.
 Withstanding voltage: 1500V AC/minute

Standards

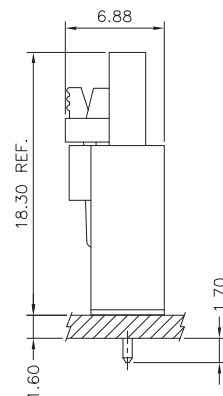
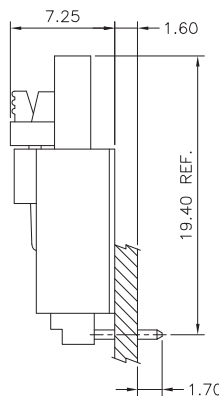
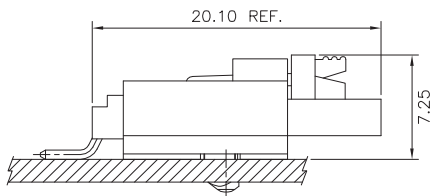


E179987



LR113464

Assembly layout



Ordering code

① ② ③ ④ ⑤
A2541-H B E -J

- ① Series No.
- ② Plating code: T=Tin-plated, H=Gold-flash on contact area
- ③ Material: P=Phosphor bronze, B=Brass
- ④ E=Stamping before plating
- ⑤ Option code: (Refer to drawings)

① ② ③ ④ ⑤
A2541 H -M-05P -1

- ① Series No.
- ② H=Housing
- ③ Blank=Normal type, -M=M type
- ④ No. of circuits
- ⑤ Option code: -1=Type 1; -2=Type 2

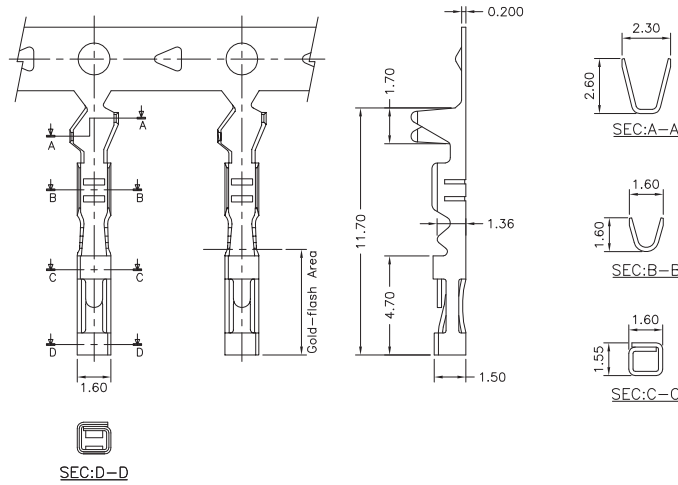
① ② ③ ④ ⑤
A2541 WV -F1-05P 6T

- ① Series No.
- ② Connector type: WV=Vertical, WR=Right angle
- ③ Mounting type: Blank=Through hole
 -F=With peg
 -F1=With boss
 -F2=With short boss
 -SF=SMT with peg
- ④ No. of circuits
- ⑤ Option code:
 6T=Nylon 6T, Black(Through hole type only)

A2541-T — 2.54mm pitch Crimp Terminal

Reference Informations:

*Used in A2541H series Housing or A2545,A2546 series Housing



A
B
C
F
ST
HRJ
DC

Ordering Information & Specifications:

Unit:mm

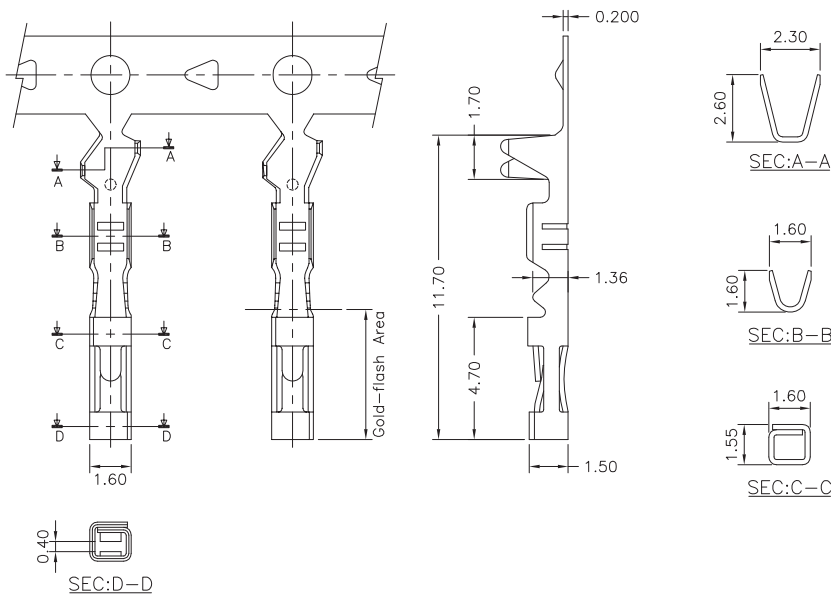
Part No.	Wire Range	Insulation O.D.	Material	Finish	Qty/reel
A2541-HPE	AWG#22-#26	1.63mm(max)	Phosphor Bronze	Gold-flash	10,000pcs
A2541-HBE	AWG#22-#26	1.63mm(max)	Brass	Gold-flash	
A2541-TPE	AWG#22-#26	1.63mm(max)	Phosphor Bronze	Tin-plated	
A2541-TBE	AWG#22-#26	1.63mm(max)	Brass	Tin-plated	

Note:E-Stamping before Tin-plated or Gold-flash

A2541-T — 2.54mm pitch Crimp Terminal - High Insertion force

Reference Informations:

*Used in A2541H series Housing or A2545,A2546 series Housing



Ordering Information & Specifications:

Unit:mm

Part No.	Wire Range	Insulation O.D.	Material	Finish	Qty/reel
A2541-HBE-J	AWG#22-#26	1.63mm(max)	Brass	Gold-flash	10,000pcs

Note:E-Stamping before Gold-flash

A2541 SERIES

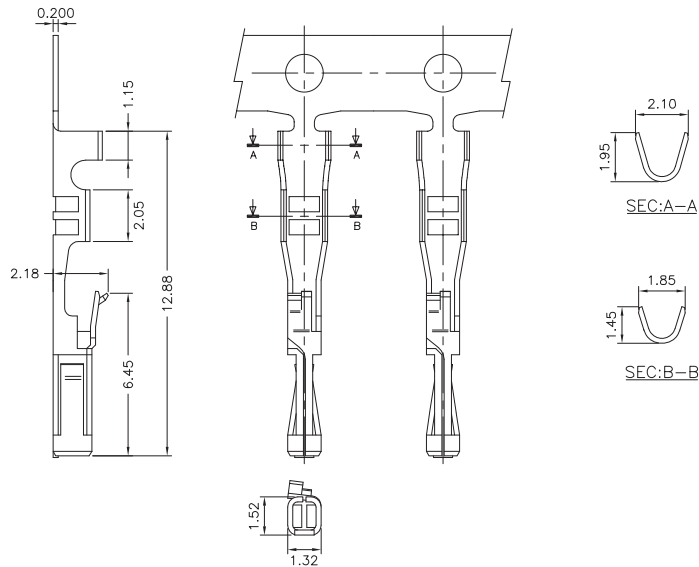
2.54mm pitch wire to board connector

A2541-T

— 2.54mm pitch Crimp Terminal - M TYPE —

Reference Informations:

*Used in A2541H-M series Housing



Ordering Information & Specifications:

Unit:mm

Part No.	Wire Range	Insulation O.D.	Material	Finish	Qty/reel
A2541-TPE-M	AWG#22-#26	1.63mm(max)	Phosphor Bronze	Tin-plated	10,000pcs
A2541-TBE-M	AWG#22-#26	1.63mm(max)	Brass	Tin-plated	

Note:E-Stamping before Tin-plated

A2541H

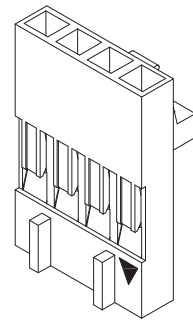
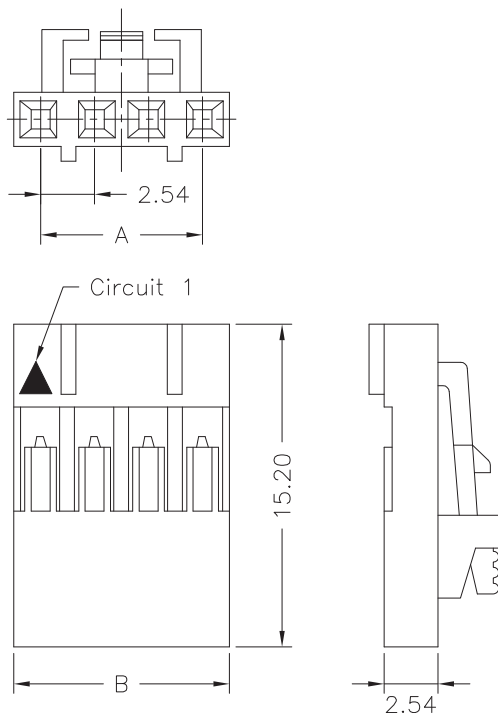
— 2.54mm pitch Housing With Lock —

Reference Informations:

*Material: PBT30%GF,UL94V-0

*Suitable A2541 series Terminal

*Mates with A2541 series Wafer



Ordering Information & Dimensions:

PART NO.	Dimensions	
	A	B
A2541H-02P	2.54	5.08
A2541H-03P	5.08	7.62
A2541H-04P	7.62	10.16
A2541H-05P	10.16	12.70
A2541H-06P	12.70	15.24
A2541H-07P	15.24	17.78
A2541H-08P	17.78	20.32
A2541H-09P	20.32	22.86
A2541H-10P	22.86	25.40
A2541H-11P	25.40	27.94
A2541H-12P	27.94	30.48

Unit:mm

A2541 SERIES

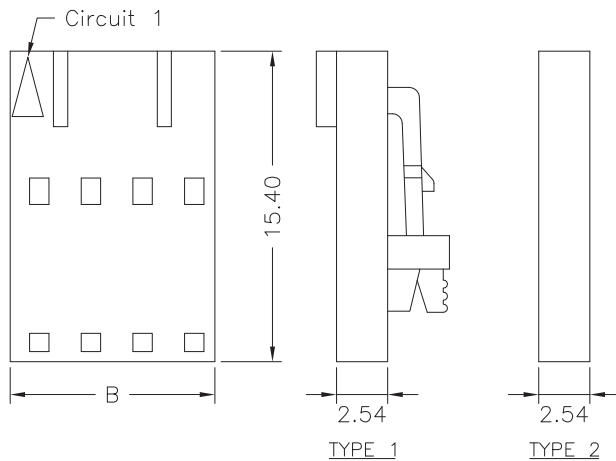
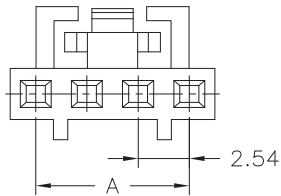
2.54mm pitch wire to board connector

A2541H-M

—2.54mm pitch Housing With Lock - M TYPE—

Reference Informations:

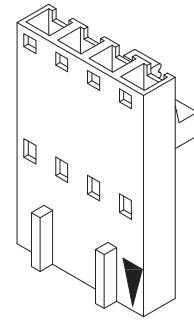
- *Material: PBT30%GF,UL94V-0
- *Suitable A2541 series Terminal - M TYPE
- *Mates with A2541 series Wafer



Ordering Information:

A2541H-M-XP-¹/₂

- 1.Part No.
- 2.Style:
1-Type 1
2-Type 2



Ordering Information & Dimensions:

PART NO.	Dimensions	
	A	B
A2541H-M-02P	2.54	5.08
A2541H-M-03P	5.08	7.62
A2541H-M-04P	7.62	10.16
A2541H-M-05P	10.16	12.70
A2541H-M-06P	12.70	15.24
A2541H-M-07P	15.24	17.78
A2541H-M-08P	17.78	20.32
A2541H-M-09P	20.32	22.86
A2541H-M-10P	22.86	25.40
A2541H-M-11P	25.40	27.94
A2541H-M-12P	27.94	30.48

Unit:mm

A
B
C
F
ST
HRJ
DC

A2541WV

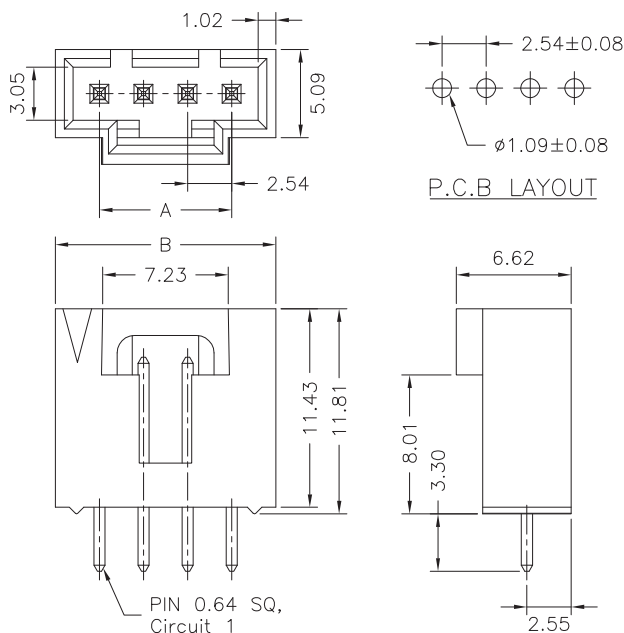
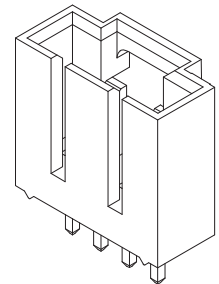
—2.54mm pitch 180° Wafer—

Reference Informations:

- *Material: Pin: Brass/Gold-flash
Wafer: PBT30%GF,UL94V-0
- *Mates with A2541 series Housing or F2544H series Housing
- *Nylon 6T is available

	A2541WV-05P	N	P	B	G1	N	00	G
		①	②	③	④	⑤	⑥	⑦

① N=Halogen Free
 ② Material: P=PBT, 0=Nylon 66-V0, 6=Nylon 6T
 ③ Color: B=Black
 ④ Plating code: G1=Gold-flash
 ⑤ Plating code: N=Non-plating
 ⑥ Option code: 00=Standard
 ⑦ Packing code: G=Bag



Ordering Information & Dimensions:

PART NO.	Dimensions	
	A	B
A2541WV-02P	2.54	7.63
A2541WV-03P	5.08	10.17
A2541WV-04P	7.62	12.71
A2541WV-05P	10.16	15.25
A2541WV-06P	12.70	17.79
A2541WV-07P	15.24	20.33
A2541WV-08P	17.78	22.87
A2541WV-09P	20.32	25.41
A2541WV-10P	22.86	27.95
A2541WV-11P	25.40	30.49
A2541WV-12P	27.94	33.03

Unit:mm

A2541 SERIES

2.54mm pitch wire to board connector

A2541WR

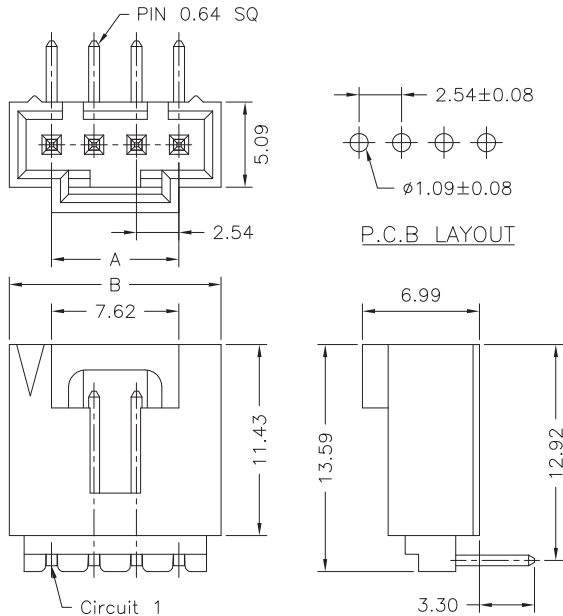
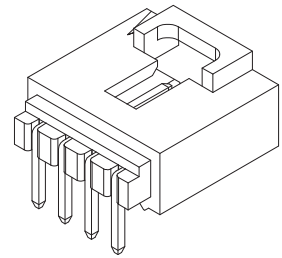
2.54mm pitch 90° Wafer

Reference Informations:

- *Material: Pin: Brass/Gold-flash
Wafer: PBT30%GF,UL94V-0
- *Mates with A2541 series Housing or F2544H series Housing
- *Nylon 6T is available

	A2541WR-05P	N	P	B	G1	N	00	G
		①	②	③	④	⑤	⑥	⑦

① N=Halogen Free
② Material: P=PBT, 0=Nylon 66-V0, 6=Nylon 6T
③ Color: B=Black
④ Plating code: G1=Gold-flash
⑤ Plating code: N=Non-plating
⑥ Option code: 00=Standard
⑦ Packing code: G=Bag



Ordering Information & Dimensions:

PART NO.	Dimensions	
	A	B
A2541WR-02P	2.54	7.59
A2541WR-03P	5.08	10.13
A2541WR-04P	7.62	12.67
A2541WR-05P	10.16	15.21
A2541WR-06P	12.70	17.75
A2541WR-07P	15.24	20.29
A2541WR-08P	17.78	22.83
A2541WR-09P	20.32	25.37
A2541WR-10P	22.86	27.91
A2541WR-11P	25.40	30.45
A2541WR-12P	27.94	32.99

Unit:mm

A2541WV-F

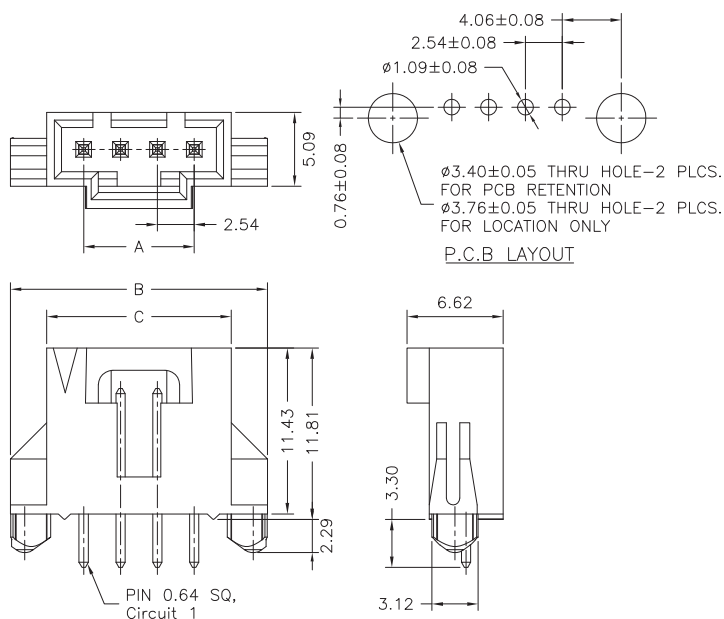
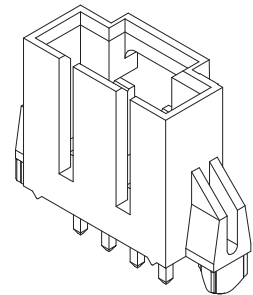
2.54mm pitch 180° Wafer With Peg

Reference Informations:

- *Material: Pin: Brass/Gold-flash
Wafer: PBT30%GF,UL94V-0
- *Mates with A2541 series Housing or F2544H series Housing
- *Nylon 6T is available

	A2541WV-F-05P	N	P	B	G1	N	00	G
		①	②	③	④	⑤	⑥	⑦

① N=Halogen Free
② Material: P=PBT, 0=Nylon 66-V0, 6=Nylon 6T
③ Color: B=Black
④ Plating code: G1=Gold-flash
⑤ Plating code: N=Non-plating
⑥ Option code: 00=Standard
⑦ Packing code: G=Bag



Ordering Information & Dimensions:

PART NO.	Dimensions		
	A	B	C
A2541WV-F-02P	2.54	12.63	7.63
A2541WV-F-03P	5.08	15.17	10.17
A2541WV-F-04P	7.62	17.71	12.71
A2541WV-F-05P	10.16	20.25	15.25
A2541WV-F-06P	12.70	22.79	17.79
A2541WV-F-07P	15.24	25.33	20.33
A2541WV-F-08P	17.78	27.87	22.87
A2541WV-F-09P	20.32	30.41	25.41
A2541WV-F-10P	22.86	32.95	27.95
A2541WV-F-11P	25.40	35.49	30.49
A2541WV-F-12P	27.94	38.03	33.03

Unit:mm

A2541 SERIES

2.54mm pitch wire to board connector

A2541WR-F

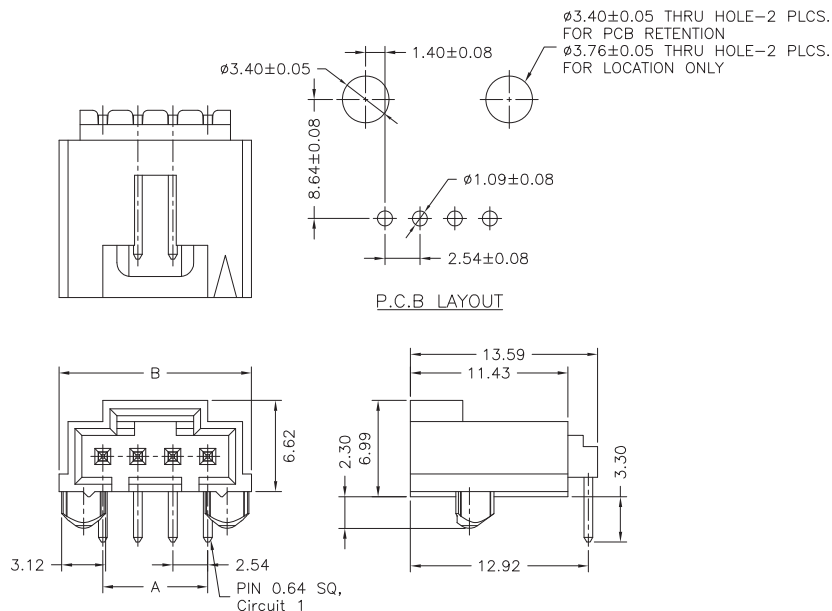
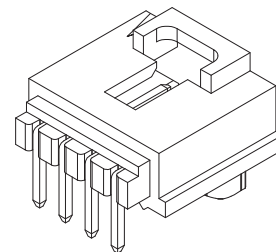
2.54mm pitch 90° Wafer With Peg

Reference Informations:

- *Material: Pin: Brass/Gold-flash
Wafer: PBT30%GF,UL94V-0
- *Mates with A2541 series Housing or F2544H series Housing
- *Nylon 6T is available

	A2541WR-F-05P						
	N	P	B	G1	N	00	G
①	②	③	④	⑤	⑥	⑦	

① N=Halogen Free
② Material: P=PBT, 0=Nylon 66-V0, 6=Nylon 6T
③ Color: B=Black
④ Plating code: G1=Gold-flash
⑤ Plating code: N=Non-plating
⑥ Option code: 00=Standard
⑦ Packing code: G=Bag



Ordering Information & Dimensions:

PART NO.	Dimensions	
	A	B
A2541WR-F-02P	2.54	8.89
A2541WR-F-03P	5.08	11.43
A2541WR-F-04P	7.62	13.97
A2541WR-F-05P	10.16	16.51
A2541WR-F-06P	12.70	19.05
A2541WR-F-07P	15.24	21.59
A2541WR-F-08P	17.78	24.13
A2541WR-F-09P	20.32	26.67
A2541WR-F-10P	22.86	29.21
A2541WR-F-11P	25.40	31.75
A2541WR-F-12P	27.94	34.29

Unit:mm

A
B
C
F
ST
HRJ
DC

A2541WV-F1

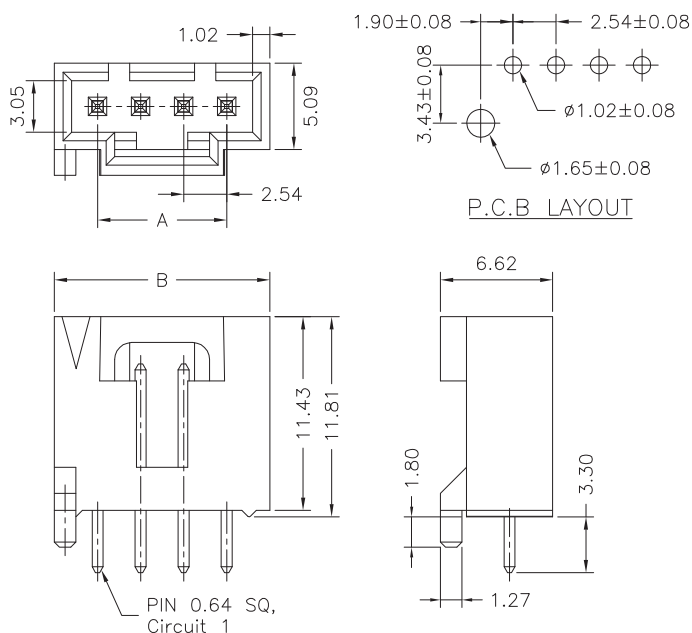
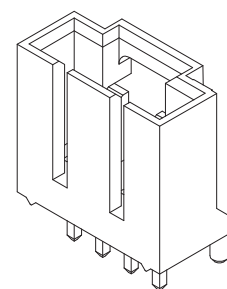
2.54mm pitch 180° Wafer With Boss

Reference Informations:

- *Material: Pin: Brass/Gold-flash
Wafer: PBT30%GF,UL94V-0
- *Mates with A2541 series Housing or F2544H series Housing
- *Nylon 6T is available

	A2541WV-F1-05P						
	N	P	B	G1	N	00	G
①	②	③	④	⑤	⑥	⑦	

① N=Halogen Free
② Material: P=PBT, 0=Nylon 66-V0, 6=Nylon 6T
③ Color: B=Black
④ Plating code: G1=Gold-flash
⑤ Plating code: N=Non-plating
⑥ Option code: 00=Standard
⑦ Packing code: G=Bag



Ordering Information & Dimensions:

PART NO.	Dimensions	
	A	B
A2541WV-F1-03P	5.08	10.17
A2541WV-F1-04P	7.62	12.71
A2541WV-F1-05P	10.16	15.25
A2541WV-F1-06P	12.70	17.79
A2541WV-F1-07P	15.24	20.33
A2541WV-F1-08P	17.78	22.87
A2541WV-F1-09P	20.32	25.41
A2541WV-F1-10P	22.86	27.95
A2541WV-F1-11P	25.40	30.49
A2541WV-F1-12P	27.94	33.03

Unit:mm

A2541 SERIES

2.54mm pitch wire to board connector

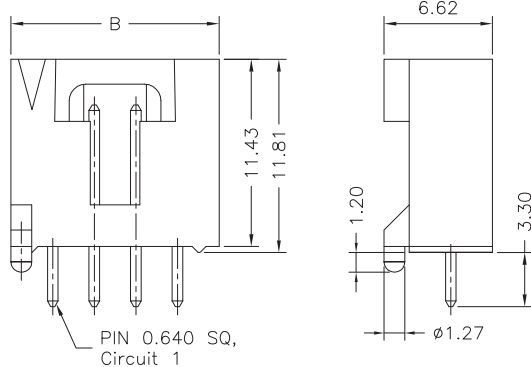
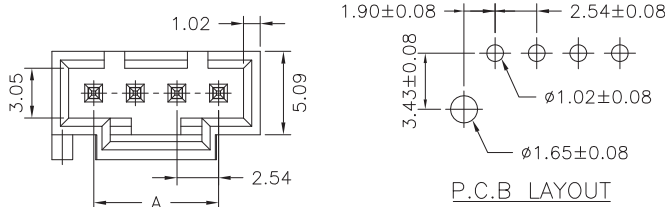
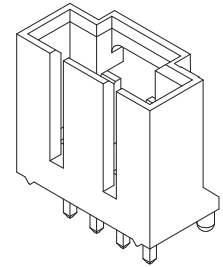
A2541WV-F2

2.54mm pitch 180° Wafer With Boss

Reference Informations:

- *Material: Pin: Brass/Gold-flash
Wafer: PBT30%GF,UL94V-0
- *Mates with H.R A2541 series Housing or F2544H series Housing
- *Nylon 6T is available

	A2541WV-F2-05P	N	P	B	G1	N	00	G
		①	②	③	④	⑤	⑥	⑦
		① N=Halogen Free						
		② Material: P=PBT, O=Nylon 66-V0, 6=Nylon 6T						
		③ Color: B=Black						
		④ Plating code: G1=Gold-flash						
		⑤ Plating code: N=Non-plating						
		⑥ Option code: 00=Standard						
		⑦ Packing code: G=Bag						



Ordering Information & Dimensions:

PART NO.	Dimensions	
	A	B
A2541WV-F2-03P	5.08	10.17
A2541WV-F2-04P	7.62	12.71
A2541WV-F2-05P	10.16	15.25
A2541WV-F2-06P	12.70	17.79
A2541WV-F2-07P	15.24	20.33
A2541WV-F2-08P	17.78	22.87
A2541WV-F2-09P	20.32	25.41
A2541WV-F2-10P	22.86	27.95
A2541WV-F2-11P	25.40	30.49
A2541WV-F2-12P	27.94	33.03

Unit:mm

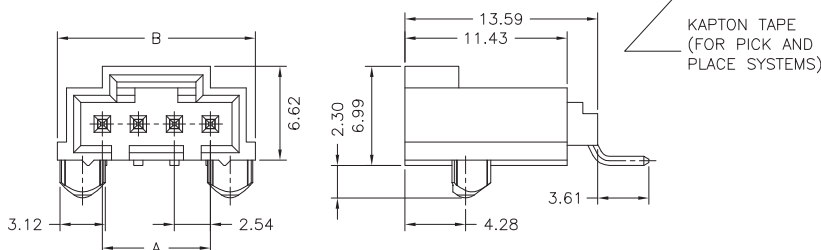
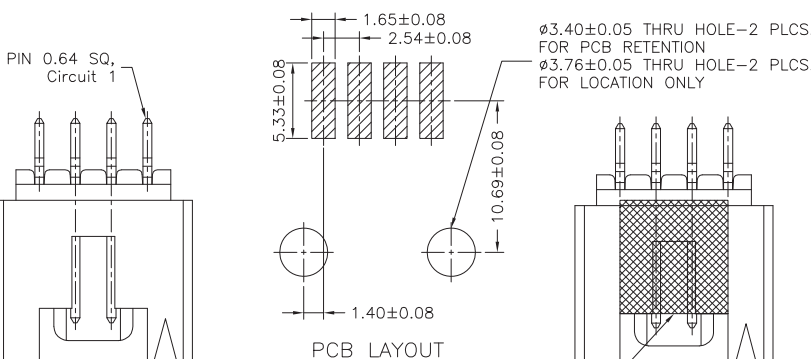
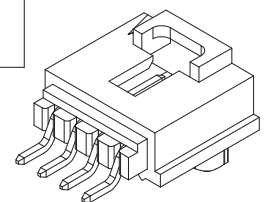
A2541WR-SF

2.54mm pitch 90° Wafer - SMT TYPE

Reference Informations:

- *Material: Pin: Brass/Gold-flash
Wafer: Nylon 6T,UL94V-0
- *Mates with H.R A2541 series Housing or F2544H series Housing

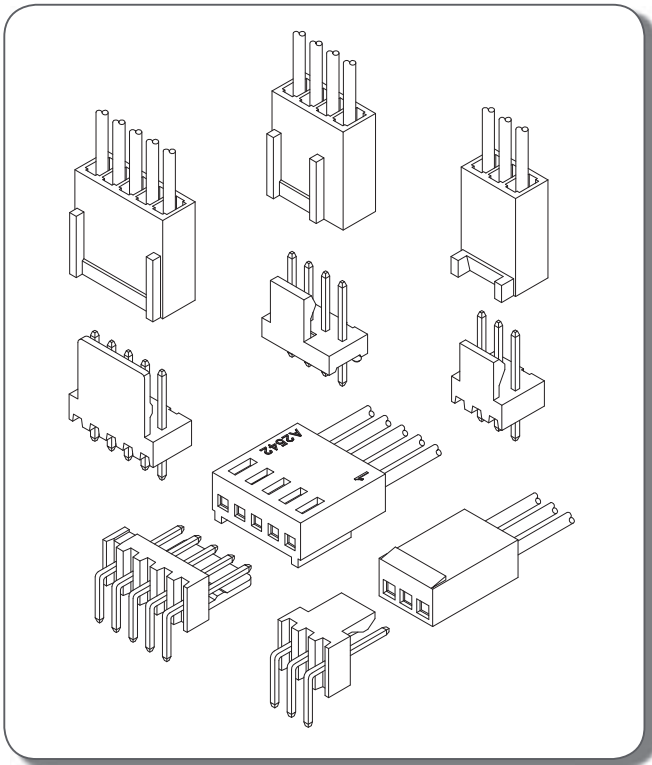
	A2541WR-SF-05P	N	6	B	G1	N	00	L
		①	②	③	④	⑤	⑥	⑦
		① N=Halogen Free						
		② Material: 6=Nylon 6T						
		③ Color: B=Black						
		④ Plating code: G1=Gold-flash						
		⑤ Plating code: N=Non-plating						
		⑥ Option code: 00=Standard						
		⑦ Packing code: L=Tape & Reel(With Mylar)						



Ordering Information & Dimensions:

PART NO.	Dimensions	
	A	B
A2541WR-SF-02P	2.54	8.89
A2541WR-SF-03P	5.08	11.43
A2541WR-SF-04P	7.62	13.97
A2541WR-SF-05P	10.16	16.51
A2541WR-SF-06P	12.70	19.05
A2541WR-SF-07P	15.24	21.59
A2541WR-SF-08P	17.78	24.13
A2541WR-SF-09P	20.32	26.67
A2541WR-SF-10P	22.86	29.21
A2541WR-SF-11P	25.40	31.75
A2541WR-SF-12P	27.94	34.29

Unit:mm



Specifications

Current rating: 4A AC,DC
 Voltage rating: 250V AC,DC
 Temperature range: -25°C ~ +85°C
 Contact resistance: 10mΩ Max.
 Insulation resistance: 1000MΩ Min.
 Withstanding voltage: 1000V AC/minute

A
B
C
F
ST
HRJ
DC

Assembly layout

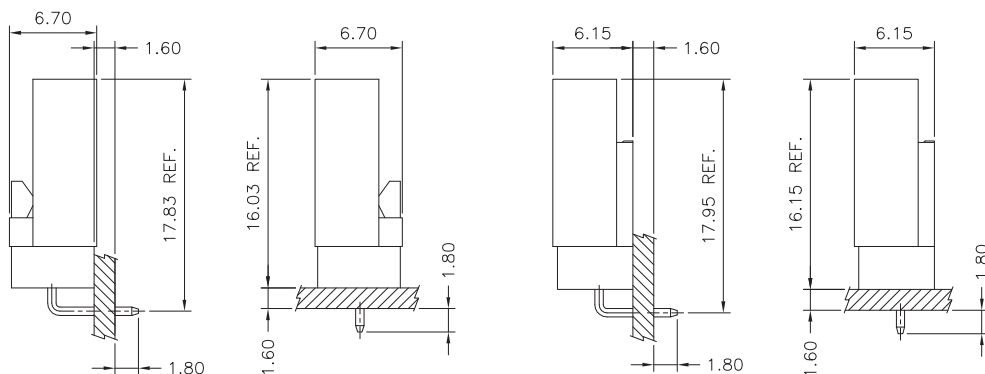
Standards



E179987



LR113464



Ordering code

① ② ③ ④ ⑤
A2542-T P E -H

- ① Series No.
- ② Plating code: T=Tin-plated, G=Gold-flash
- ③ Material: P=Phosphor bronze, B=Brass
- ④ E=Stamping before plating
- ⑤ Option code:
-H=For AWG#20-#28 wire

① ② ③ ④ ⑤
A2542 H A -05P -1

- ① Series No.
- ② H=Housing
- ③ Blank=Normal type, A=A type,
- ④ No. of circuits
- ⑤ Option code: -1=Type 1; -2=Type 2

① ② ③ ④ ⑤ ⑥
A2542 WV C -F1-04P 46G

- ① Series No.
- ② Connector type: WV=Vertical, WR=Right angle
- ③ Blank=Normal type, A=A type,
- ④ Mounting type: Blank=Through hole
-F, -F1, -F2,,=With boss
- ⑤ No. of circuits
- ⑥ Option code:
1=Type 1; 2=Type 2
A=Type A; B=Type B
46=Nylon 46, Tin-plated
46G=Nylon 46, Gold-flash

A2542 SERIES

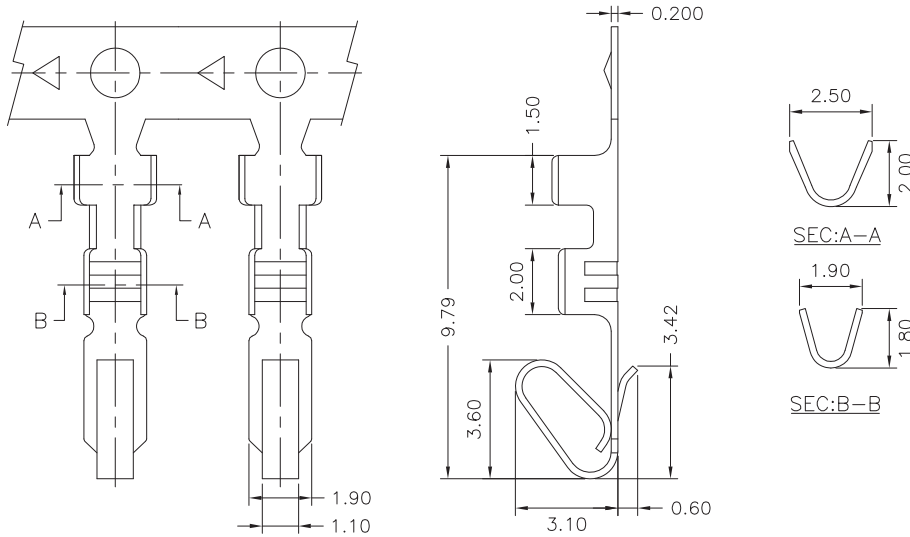
2.54mm pitch wire to board connector

A2542-T

2.54mm pitch Crimp Terminal

Reference Informations:

*Used in A2542 series Housing



Ordering Information & Specifications:

Unit:mm

Part No.	Wire Range	Insulation O.D.	Material	Finish	Qty/reel
A2542-TBE	AWG#24-#30	1.57mm(max)	Brass	Tin-plated	10,000pcs
A2542-GBE	AWG#24-#30	1.57mm(max)	Brass	Gold-flash	
A2542-TPE	AWG#24-#30	1.57mm(max)	Phosphor Bronze	Tin-plated	

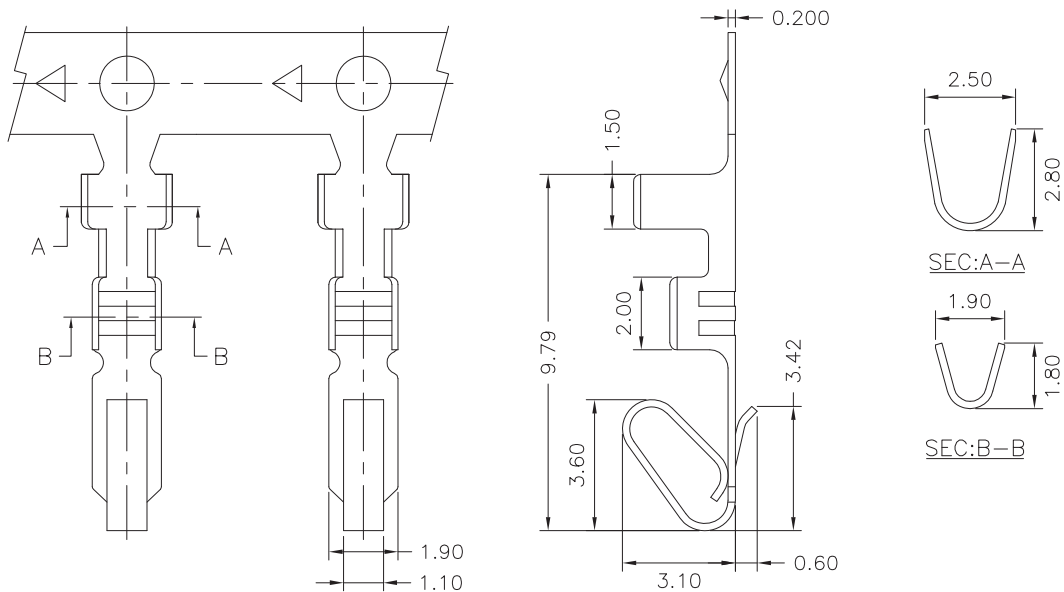
Note:E-Stamping before Tin-plated or Gold-flash

A2542-T

2.54mm pitch Crimp Terminal

Reference Informations:

*Used in A2542 series Housing



Ordering Information & Specifications:

Unit:mm

Part No.	Wire Range	Insulation O.D.	Material	Finish	Qty/reel
A2542-TPE-H	AWG#20-#28	2.00mm(max)	Phosphor Bronze	Tin-plated	8,000pcs

Note:E-Stamping before Tin-plated

A2542 SERIES

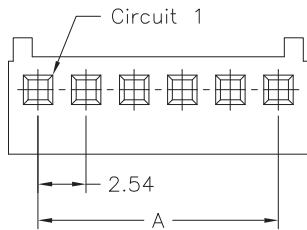
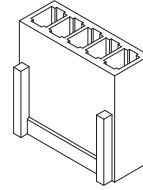
2.54mm pitch wire to board connector

A2542H

2.54mm pitch Housing

Reference Informations:

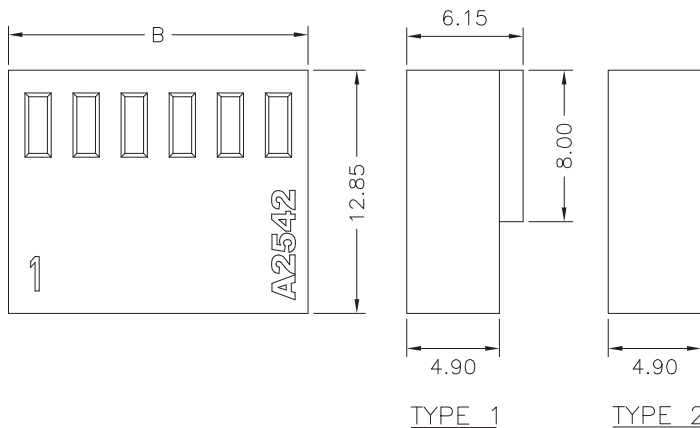
- *Material: Nylon 66,UL94V-2
- *Suitable A2542 series Terminal
- *Mates with A2542 series Wafer



Ordering Information:
A2542H-XP-*
 1 2
 1.Part No.
 2.Style:
 1-Type 1
 2-Type 2

Ordering Information & Dimensions:

PART NO.	Dimensions	
	A	B
A2542H-02P	2.54	5.68
A2542H-03P	5.08	8.22
A2542H-04P	7.62	10.76
A2542H-05P	10.16	13.30
A2542H-06P	12.70	15.84
A2542H-07P	15.24	18.38
A2542H-08P	17.78	20.92
A2542H-09P	20.32	23.46
A2542H-10P	22.86	26.00
A2542H-11P	25.40	28.54
A2542H-12P	27.94	31.08
A2542H-13P	30.48	33.62
A2542H-14P	33.02	36.16
A2542H-15P	35.56	38.70
A2542H-16P	38.10	41.24
A2542H-17P	40.64	43.78
A2542H-18P	43.18	46.32
A2542H-19P	45.72	48.86
A2542H-20P	48.26	51.40



Unit:mm

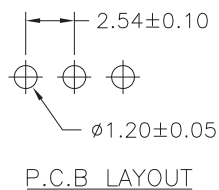
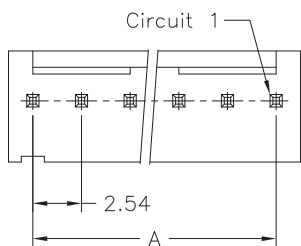
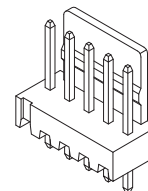
A
B
C
F
ST
HRJ
DC

A2542WV

2.54mm pitch 180° Wafer

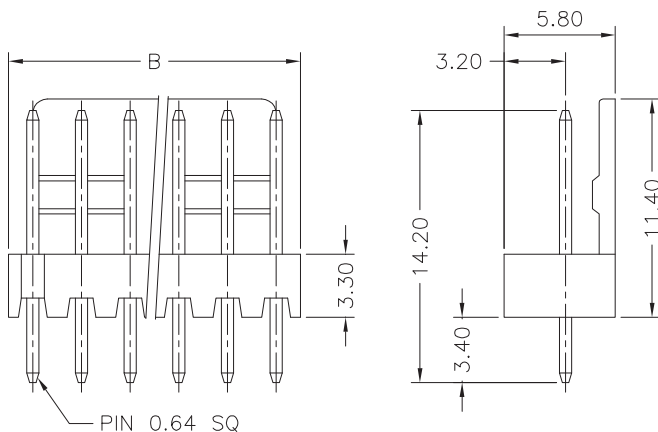
Reference Informations:

- *Material: Pin: Brass/Tin-plated
Wafer: Nylon 66,UL94V-2
- *Mates with A2542 series Housing



Ordering Information & Dimensions:

PART NO.	Dimensions	
	A	B
A2542WV-02P	2.54	5.08
A2542WV-03P	5.08	7.62
A2542WV-04P	7.62	10.16
A2542WV-05P	10.16	12.70
A2542WV-06P	12.70	15.24
A2542WV-07P	15.24	17.78
A2542WV-08P	17.78	20.32
A2542WV-09P	20.32	22.86
A2542WV-10P	22.86	25.40
A2542WV-11P	25.40	27.94
A2542WV-12P	27.94	30.48
A2542WV-13P	30.48	33.02
A2542WV-14P	33.02	35.56
A2542WV-15P	35.56	38.10
A2542WV-16P	38.10	40.64
A2542WV-17P	40.64	43.18
A2542WV-18P	43.18	45.72
A2542WV-19P	45.72	48.26
A2542WV-20P	48.26	50.80



Unit:mm

A2542 SERIES

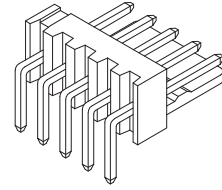
2.54mm pitch wire to board connector

A2542WR

2.54mm pitch 90° Wafer

Reference Informations:

- *Material: Pin: Brass/Tin-plated
Wafer: Nylon 66,UL94V-2
- *Mates with A2542 series Housing



Ordering Information & Dimensions:

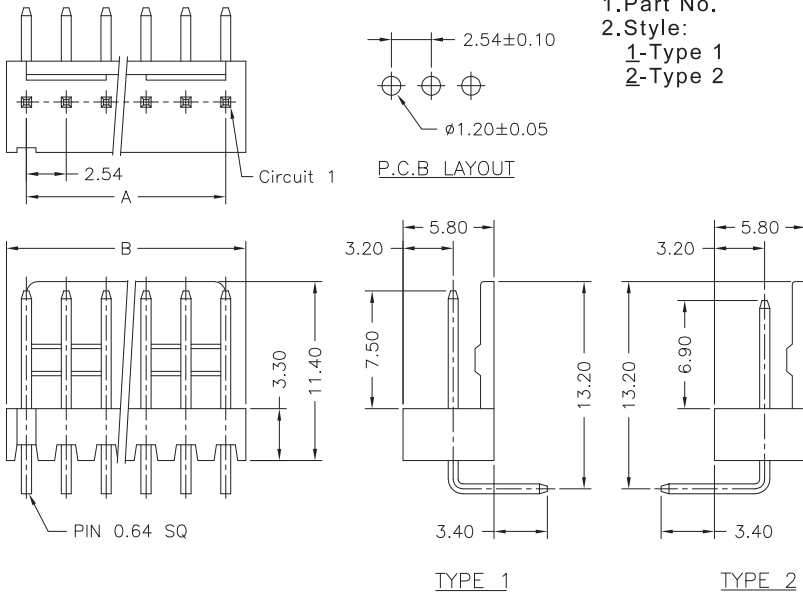
PART NO.	Dimensions	
	A	B
A2542WR-02P	2.54	5.08
A2542WR-03P	5.08	7.62
A2542WR-04P	7.62	10.16
A2542WR-05P	10.16	12.70
A2542WR-06P	12.70	15.24
A2542WR-07P	15.24	17.78
A2542WR-08P	17.78	20.32
A2542WR-09P	20.32	22.86
A2542WR-10P	22.86	25.40
A2542WR-11P	25.40	27.94
A2542WR-12P	27.94	30.48
A2542WR-13P	30.48	33.02
A2542WR-14P	33.02	35.56
A2542WR-15P	35.56	38.10
A2542WR-16P	38.10	40.64
A2542WR-17P	40.64	43.18
A2542WR-18P	43.18	45.72
A2542WR-19P	45.72	48.26
A2542WR-20P	48.26	50.80

Unit:mm

Ordering Information:

A2542WR-XP *
1 2

- 1.Part No.
- 2.Style:
1-Type 1
2-Type 2



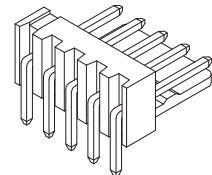
A
B
C
F
ST
HRJ
DC

A2542WR

2.54mm pitch 90° Wafer

Reference Informations:

- *Material: Pin: Brass/Tin-plated
Wafer: Nylon 66,UL94V-2
- *Mates with A2542 series Housing



Ordering Information & Dimensions:

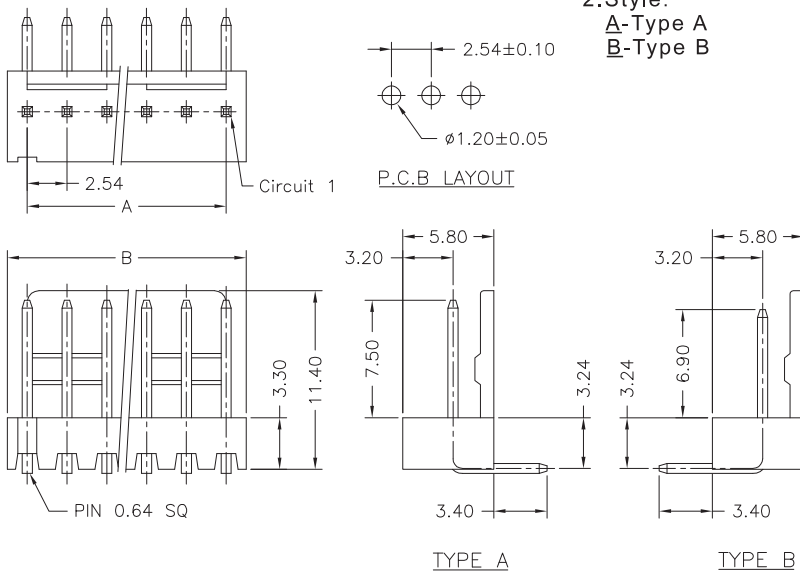
PART NO.	Dimensions	
	A	B
A2542WR-02P	2.54	5.08
A2542WR-03P	5.08	7.62
A2542WR-04P	7.62	10.16
A2542WR-05P	10.16	12.70
A2542WR-06P	12.70	15.24
A2542WR-07P	15.24	17.78
A2542WR-08P	17.78	20.32
A2542WR-09P	20.32	22.86
A2542WR-10P	22.86	25.40
A2542WR-11P	25.40	27.94
A2542WR-12P	27.94	30.48
A2542WR-13P	30.48	33.02
A2542WR-14P	33.02	35.56
A2542WR-15P	35.56	38.10
A2542WR-16P	38.10	40.64
A2542WR-17P	40.64	43.18
A2542WR-18P	43.18	45.72
A2542WR-19P	45.72	48.26
A2542WR-20P	48.26	50.80

Unit:mm

Ordering Information:

A2542WR-XP *
1 2

- 1.Part No.
- 2.Style:
A-Type A
B-Type B



A2542 SERIES

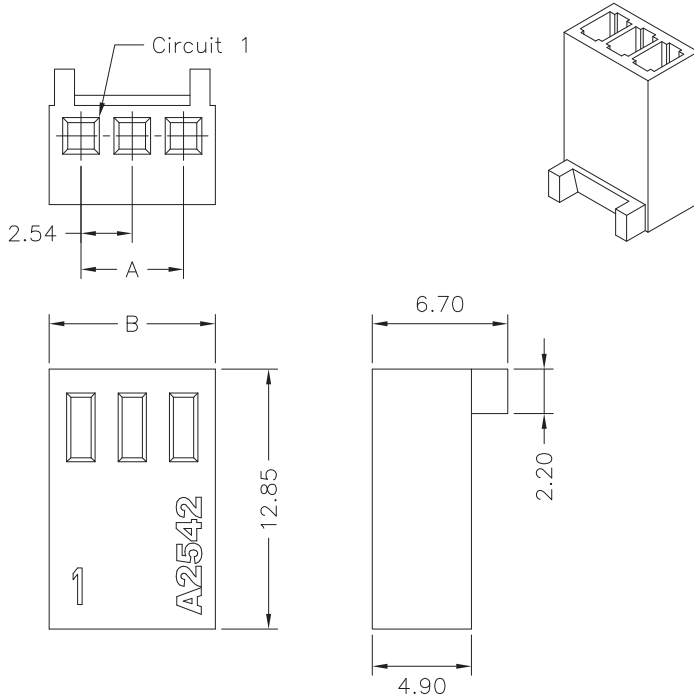
2.54mm pitch wire to board connector

A2542HA

—2.54mm pitch Housing—

Reference Informations:

- *Material: Nylon 66,UL94V-2
- *Suitable A2542 series Terminal
- *Mates with A2542 series Wafer



Ordering Information & Dimensions:

PART NO.	Dimensions	
	A	B
A2542HA-02P	2.54	5.68
A2542HA-03P	5.08	8.22
A2542HA-04P	7.62	10.76
A2542HA-05P	10.16	13.30
A2542HA-06P	12.70	15.84
A2542HA-07P	15.24	18.38
A2542HA-08P	17.78	20.92
A2542HA-09P	20.32	23.46
A2542HA-10P	22.86	26.00
A2542HA-11P	25.40	28.54
A2542HA-12P	27.94	31.08
A2542HA-13P	30.48	33.62
A2542HA-14P	33.02	36.16
A2542HA-15P	35.56	38.70
A2542HA-16P	38.10	41.24
A2542HA-17P	40.64	43.78
A2542HA-18P	43.18	46.32
A2542HA-19P	45.72	48.86
A2542HA-20P	48.26	51.40

Unit:mm

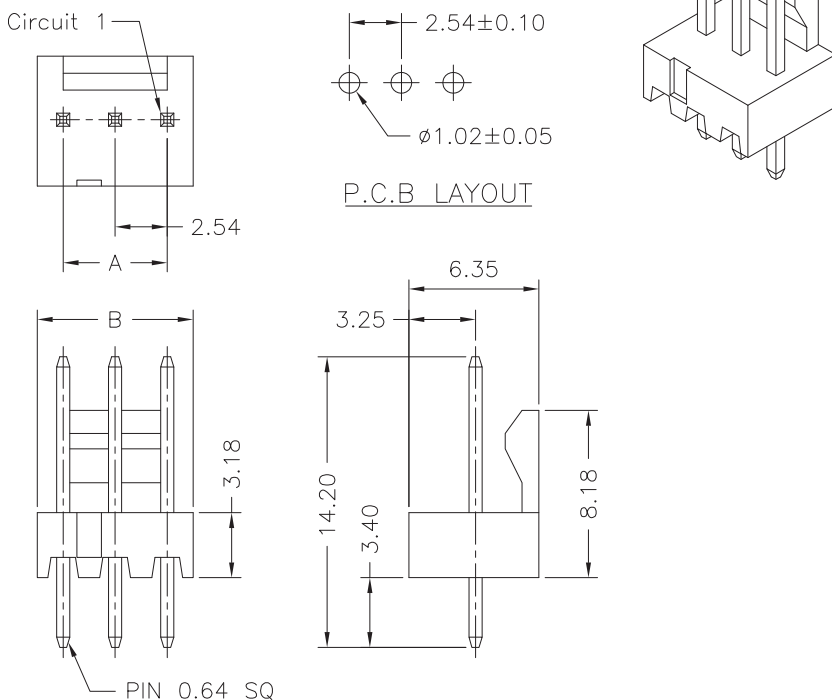
A
B
C
F
ST
HRJ
DC

A2542WVA

—2.54mm pitch 180° Wafer—

Reference Informations:

- *Material: Pin: Brass/Tin-plated
Wafer: Nylon 66,UL94V-2
- *Mates with A2542 series Housing



Ordering Information & Dimensions:

PART NO.	Dimensions	
	A	B
A2542WVA-02P	2.54	5.08
A2542WVA-03P	5.08	7.62
A2542WVA-04P	7.62	10.16
A2542WVA-05P	10.16	12.70
A2542WVA-06P	12.70	15.24
A2542WVA-07P	15.24	17.78
A2542WVA-08P	17.78	20.32
A2542WVA-09P	20.32	22.86
A2542WVA-10P	22.86	25.40
A2542WVA-11P	25.40	27.94
A2542WVA-12P	27.94	30.48
A2542WVA-13P	30.48	33.02
A2542WVA-14P	33.02	35.56
A2542WVA-15P	35.56	38.10
A2542WVA-16P	38.10	40.64
A2542WVA-17P	40.64	43.18
A2542WVA-18P	43.18	45.72
A2542WVA-19P	45.72	48.26
A2542WVA-20P	48.26	50.80

Unit:mm

A2542 SERIES

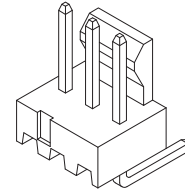
2.54mm pitch wire to board connector

A2542WRA

—2.54mm pitch 90° Wafer—

Reference Informations:

- *Material: Pin: Brass/Tin-plated
Wafer: Nylon 66,UL94V-2
- *Mates with A2542 series Housing



Ordering Information & Dimensions:

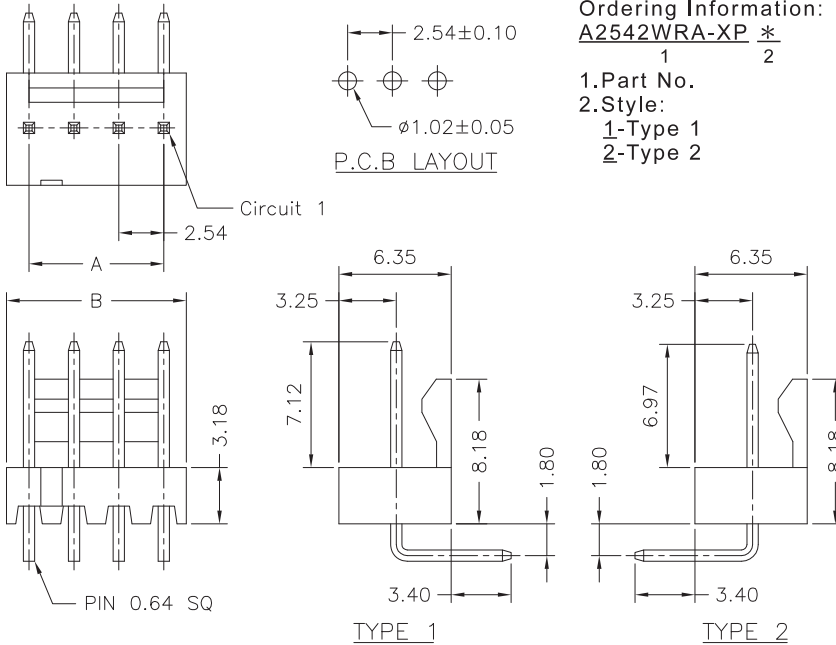
PART NO.	Dimensions	
	A	B
A2542WRA-02P	2.54	5.08
A2542WRA-03P	5.08	7.62
A2542WRA-04P	7.62	10.16
A2542WRA-05P	10.16	12.70
A2542WRA-06P	12.70	15.24
A2542WRA-07P	15.24	17.78
A2542WRA-08P	17.78	20.32
A2542WRA-09P	20.32	22.86
A2542WRA-10P	22.86	25.40
A2542WRA-11P	25.40	27.94
A2542WRA-12P	27.94	30.48
A2542WRA-13P	30.48	33.02
A2542WRA-14P	33.02	35.56
A2542WRA-15P	35.56	38.10
A2542WRA-16P	38.10	40.64
A2542WRA-17P	40.64	43.18
A2542WRA-18P	43.18	45.72
A2542WRA-19P	45.72	48.26
A2542WRA-20P	48.26	50.80

Unit:mm

Ordering Information:

A2542WRA-XP *
1 2

- Part No.
- Style:
1-Type 1
2-Type 2

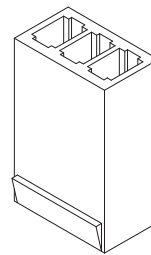


A2542HB

—2.54mm pitch Housing—

Reference Informations:

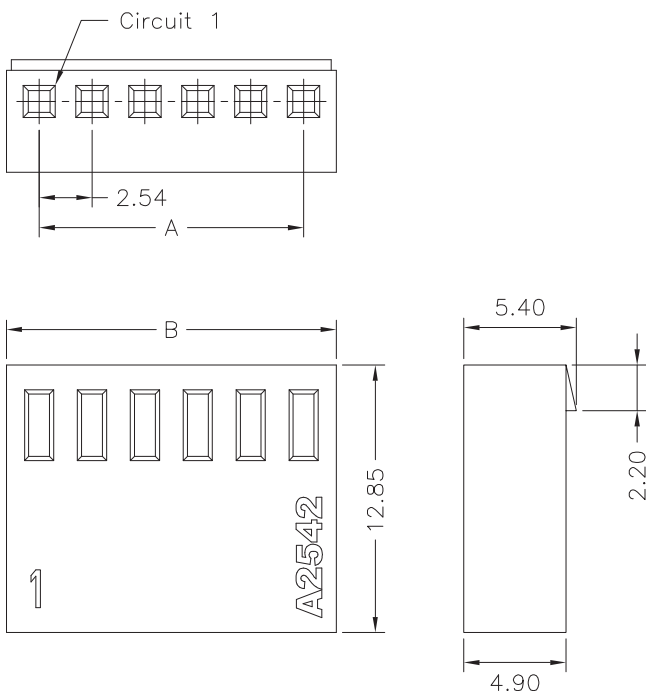
- *Material: Nylon 66,UL94V-2
- *Suitable A2542 series Terminal
- *Mates with A2542 series Wafer



Ordering Information & Dimensions:

PART NO.	Dimensions	
	A	B
A2542HB-02P	2.54	5.68
A2542HB-03P	5.08	8.22
A2542HB-04P	7.62	10.76
A2542HB-05P	10.16	13.30
A2542HB-06P	12.70	15.84
A2542HB-07P	15.24	18.38
A2542HB-08P	17.78	20.92
A2542HB-09P	20.32	23.46
A2542HB-10P	22.86	26.00
A2542HB-11P	25.40	28.54
A2542HB-12P	27.94	31.08
A2542HB-13P	30.48	33.62
A2542HB-14P	33.02	36.16
A2542HB-15P	35.56	38.70
A2542HB-16P	38.10	41.24
A2542HB-17P	40.64	43.78
A2542HB-18P	43.18	46.32
A2542HB-19P	45.72	48.86
A2542HB-20P	48.26	51.40

Unit:mm



A2542 SERIES

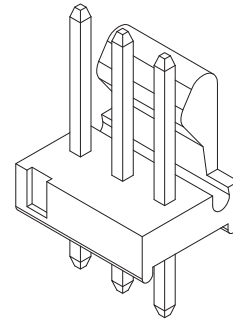
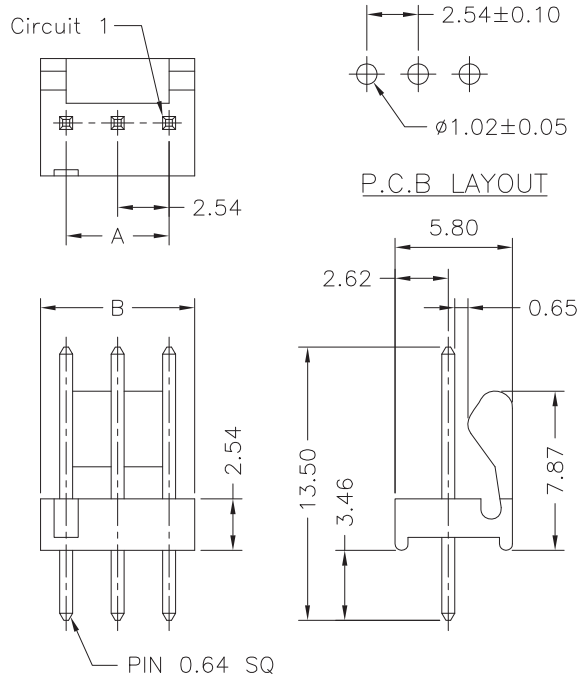
2.54mm pitch wire to board connector

A2542WVB

—2.54mm pitch 180° Wafer—

Reference Informations:

- *Material: Pin: Brass/Tin-plated
Wafer: Nylon 66,UL94V-0
- *Mates with A2542 series Housing



	A2542WVB-03P	N	0	W	T1	N	00	G
		①	②	③	④	⑤	⑥	⑦
①	N=Halogen Free							
②	Material: 0=Nylon 66-V0							
③	Color: W=White							
④	Plating code: T1=Tin-plated							
⑤	Plating code: N=Non-plating							
⑥	Option code: 00=Standard							
⑦	Packing code: G=Bag							

Ordering Information & Dimensions:

PART NO.	Dimensions	
	A	B
A2542WVB-02P	2.54	5.08
A2542WVB-03P	5.08	7.62

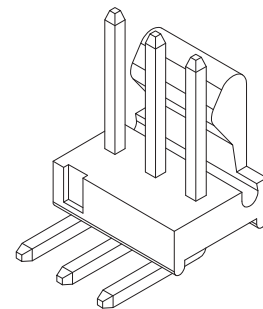
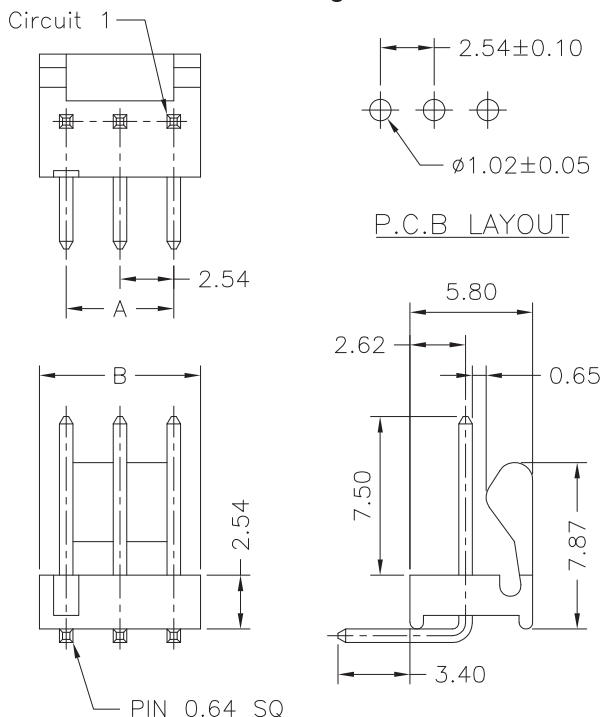
Unit:mm

A2542WRB

—2.54mm pitch 90° Wafer—

Reference Informations:

- *Material: Pin: Brass/Tin-plated
Wafer: Nylon 66,UL94V-0
- *Mates with A2542 series Housing



	A2542WRB-03P	N	0	W	T1	N	00	G
		①	②	③	④	⑤	⑥	⑦
①	N=Halogen Free							
②	Material: 0=Nylon 66-V0							
③	Color: W=White							
④	Plating code: T1=Tin-plated							
⑤	Plating code: N=Non-plating							
⑥	Option code: 00=Standard							
⑦	Packing code: G=Bag							

Ordering Information & Dimensions:

PART NO.	Dimensions	
	A	B
A2542WRB-02P	2.54	5.08
A2542WRB-03P	5.08	7.62

Unit:mm

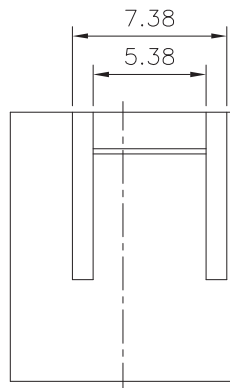
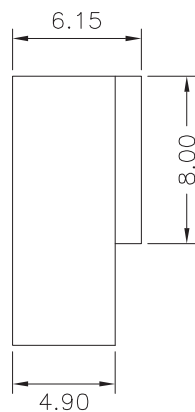
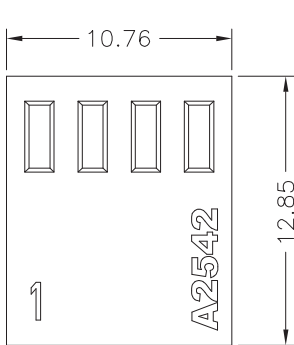
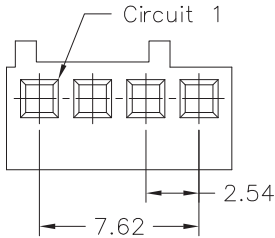
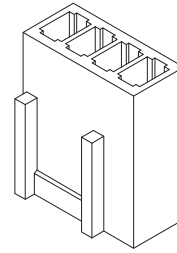
A
B
C
F
ST
HRJ
DC

A2542HC-04P

— 2.54mm pitch Housing —

Reference Informations:

- *Material: Nylon 66,UL94V-0
- *Suitable A2542 series Terminal
- *Mates with A2542 series Wafer



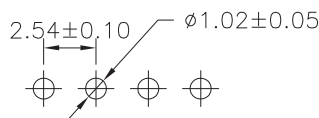
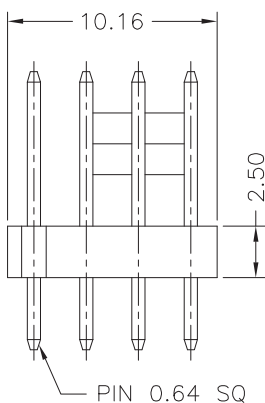
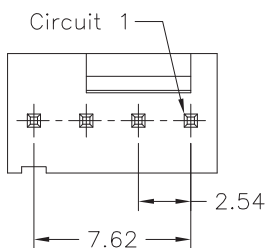
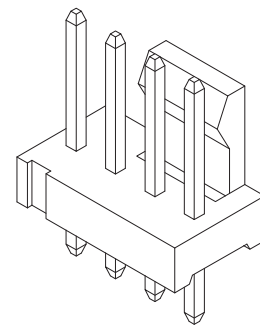
	A2542HC-04P						
	N	0	W	NP	N	00	G
	①	②	③	④	⑤	⑥	⑦
①	N=Halogen Free						
②	Material: 0=Nylon 66-V0						
③	Color: W=White						
④	Plating code: NP=Non-plating						
⑤	Plating code: N=Non-plating						
⑥	Option code: 00=Standard						
⑦	Packing code: G=Bag						

A2542WVC-04P

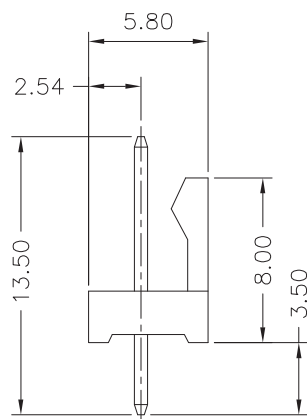
— 2.54mm pitch 180° Wafer —

Reference Informations:

- *Material: Pin: Brass/Tin-plated
Wafer: Nylon 66,UL94V-0
- *Mates with A2542 series Housing
- *Nylon 46 is available



P.C.B LAYOUT



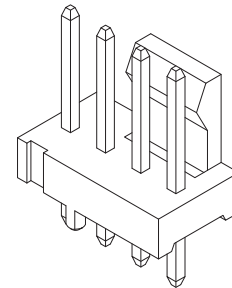
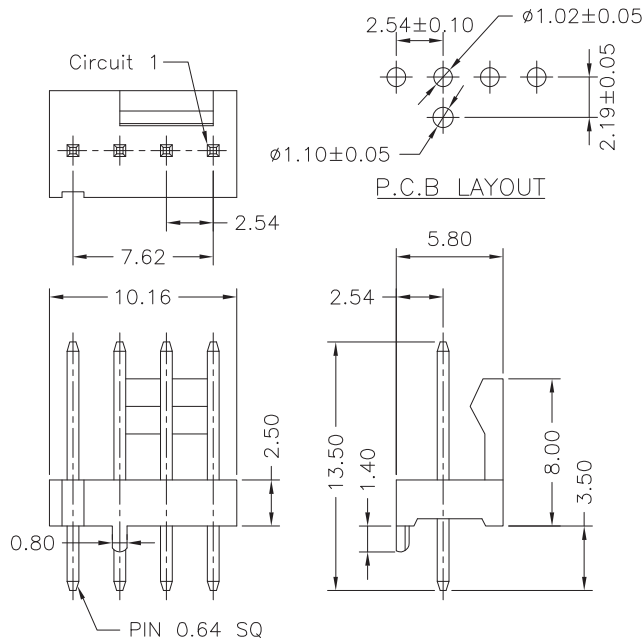
	A2542WVC-04P						
	N	0	W	T1	N	00	G
	①	②	③	④	⑤	⑥	⑦
①	N=Halogen Free						
②	Material: 0=Nylon 66-V0						
③	Color: W=White						
④	Plating code: T1=Tin-plated						
⑤	Plating code: N=Non-plating						
⑥	Option code: 00=Standard						
⑦	Packing code: G=Bag						

A2542WVC-F-04P

—2.54mm pitch 180° Wafer With boss—

Reference Informations:

- *Material: Pin: Brass/Tin-plated
Wafer: Nylon 66,UL94V-0
- *Mates with A2542 series Housing
- *Nylon 46 is available



A
B
C
F
ST
HRJ
DC

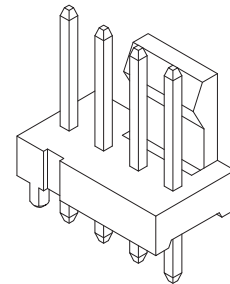
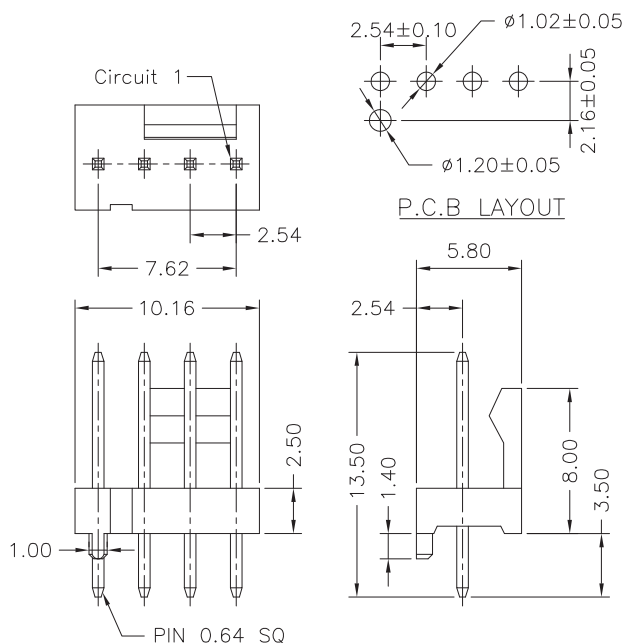
	A2542WVC-F-04P	N	0	W	T1	N	00	G
		①	②	③	④	⑤	⑥	⑦
①	N=Halogen Free							
②	Material: 0=Nylon 66-V0							
③	Color: W=White							
④	Plating code: T1=Tin-plated							
⑤	Plating code: N=Non-plating							
⑥	Option code: 00=Standard							
⑦	Packing code: G=Bag							

A2542WVC-F1-04P

—2.54mm pitch 180° Wafer With boss—

Reference Informations:

- *Material: Pin: Brass/Tin-plated
Wafer: Nylon 66,UL94V-0
- *Mates with A2542 series Housing
- *Nylon 46 is available



	A2542WVC-F1-04P	N	0	W	T1	N	00	G
		①	②	③	④	⑤	⑥	⑦
①	N=Halogen Free							
②	Material: 0=Nylon 66-V0							
③	Color: W=White							
④	Plating code: T1=Tin-plated							
⑤	Plating code: N=Non-plating							
⑥	Option code: 00=Standard							
⑦	Packing code: G=Bag							

A2542 SERIES

2.54mm pitch wire to board connector

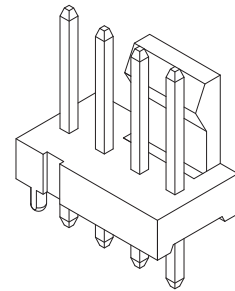
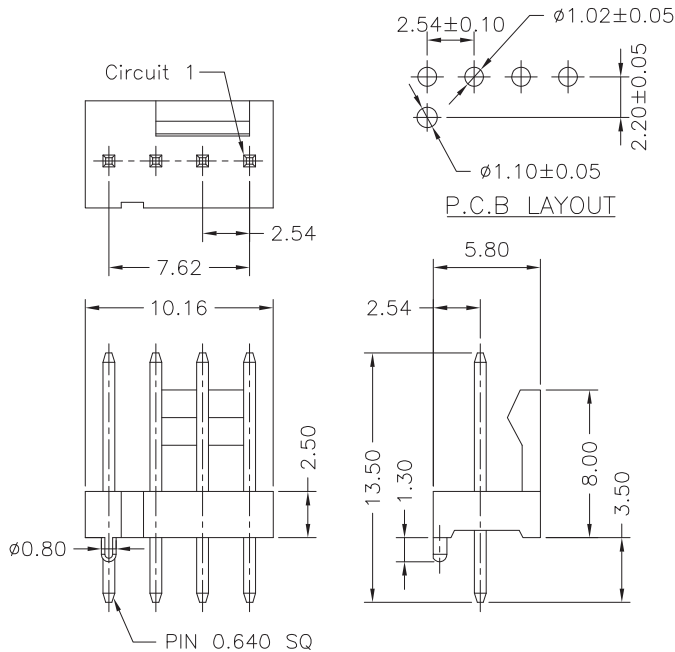
A2542WVC-F2-04P

2.54mm pitch 180° Wafer With boss

Reference Informations:

- *Material: Pin: Brass/Tin-plated
Wafer: Nylon 66,UL94V-0
- *Mates with A2542 series Housing
- *Nylon 46 is available

A
B
C
F
ST
HRJ
DC



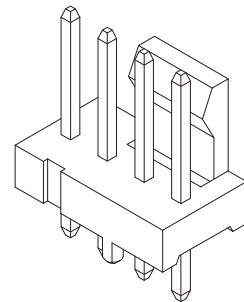
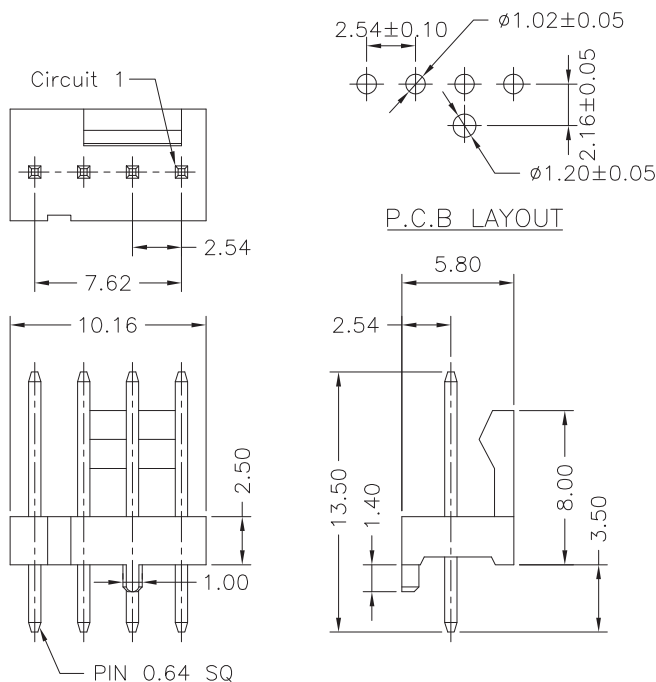
A	A2542WVC-F2-04P	N	0	W	T1	N	00	G
		①	②	③	④	⑤	⑥	⑦
① N=Halogen Free ② Material: 0=Nylon 66-V0 ③ Color: W=White ④ Plating code: T1=Tin-plated ⑤ Plating code: N=Non-plating ⑥ Option code: 00=Standard ⑦ Packing code: G=Bag								

A2542WVC-F3-04P

2.54mm pitch 180° Wafer With boss

Reference Informations:

- *Material: Pin: Brass/Tin-plated
Wafer: Nylon 66,UL94V-0
- *Mates with A2542 series Housing
- *Nylon 46 is available



A	A2542WVC-F3-04P	N	0	W	T1	N	00	G
		①	②	③	④	⑤	⑥	⑦
① N=Halogen Free ② Material: 0=Nylon 66-V0 ③ Color: W=White ④ Plating code: T1=Tin-plated ⑤ Plating code: N=Non-plating ⑥ Option code: 00=Standard ⑦ Packing code: G=Bag								

A2542 SERIES

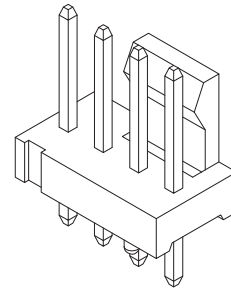
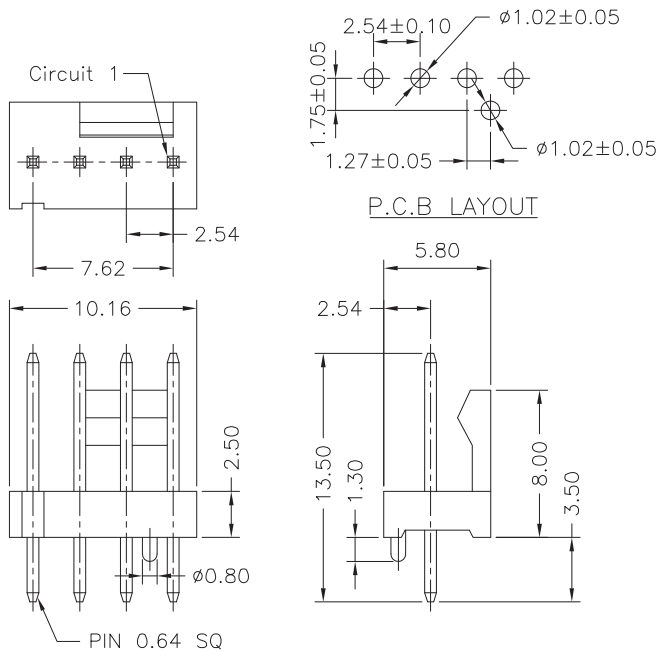
2.54mm pitch wire to board connector

A2542WVC-F4-04P

2.54mm pitch 180° Wafer With boss

Reference Informations:

- *Material: Pin: Brass/Tin-plated
Wafer: Nylon 66,UL94V-0
- *Mates with A2542 series Housing
- *Nylon 46 is available



A
B
C
F
ST
HRJ
DC

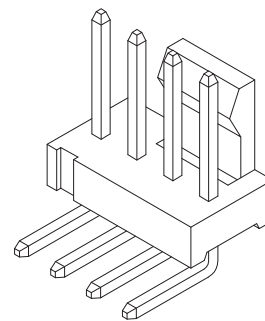
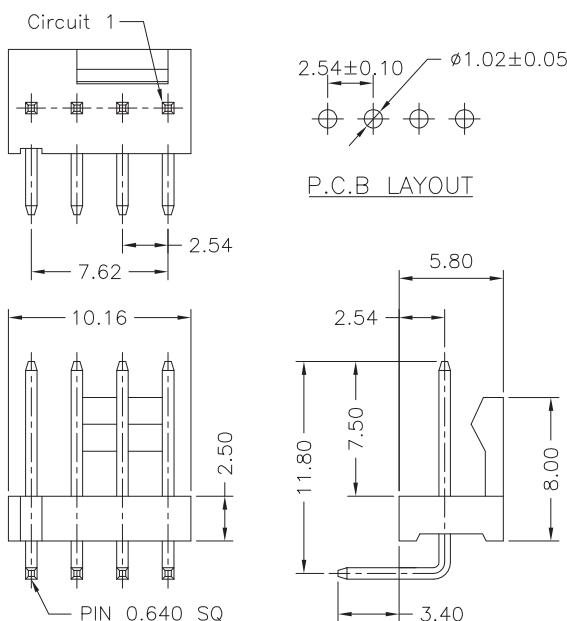
	A2542WVC-F4-04P	N	0	W	T1	N	00	G
		①	②	③	④	⑤	⑥	⑦
①	N=Halogen Free							
②	Material: 0=Nylon 66-V0							
③	Color: W=White							
④	Plating code: T1=Tin-plated							
⑤	Plating code: N=Non-plating							
⑥	Option code: 00=Standard							
⑦	Packing code: G=Bag							

A2542WRC-04P

2.54mm pitch 90° Wafer

Reference Informations:

- *Material: Pin: Brass/Tin-plated
Wafer: Nylon 66,UL94V-0
- *Mates with A2542 series Housing
- *Nylon 46 is available



	A2542WRC-04P	N	0	W	T1	N	00	G
		①	②	③	④	⑤	⑥	⑦
①	N=Halogen Free							
②	Material: 0=Nylon 66-V0							
③	Color: W=White							
④	Plating code: T1=Tin-plated							
⑤	Plating code: N=Non-plating							
⑥	Option code: 00=Standard							
⑦	Packing code: G=Bag							

A2542 SERIES

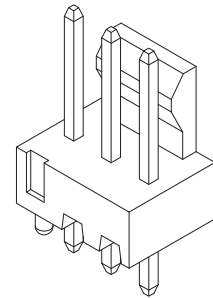
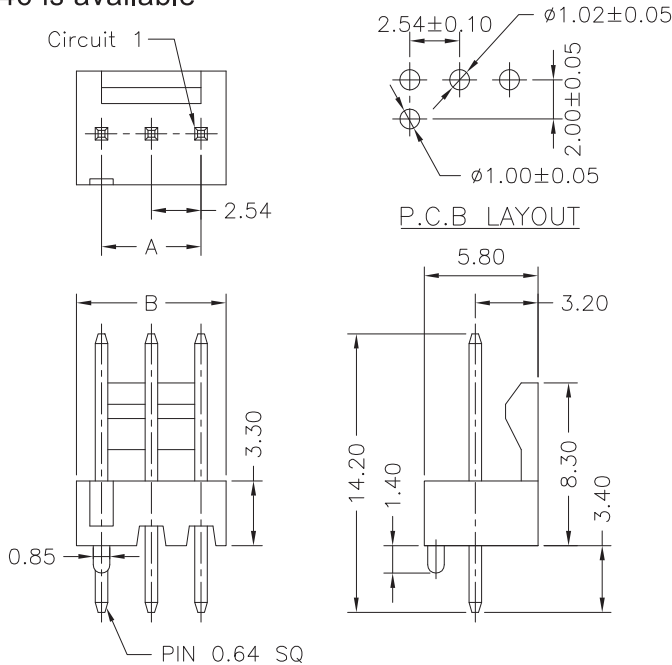
2.54mm pitch wire to board connector

A2542WVD-F

—2.54mm pitch 180° Wafer With boss—

Reference Informations:

- *Material: Pin: Brass/Tin-plated
Wafer: Nylon 66,UL94V-0
- *Mates with A2542 series Housing
- *Nylon 46 is available



Ordering Information & Dimensions:

PART NO.	Dimensions	
	A	B
A2542WVD-F-03P	5.08	7.62
A2542WVD-F-04P	7.62	10.16

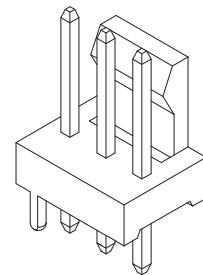
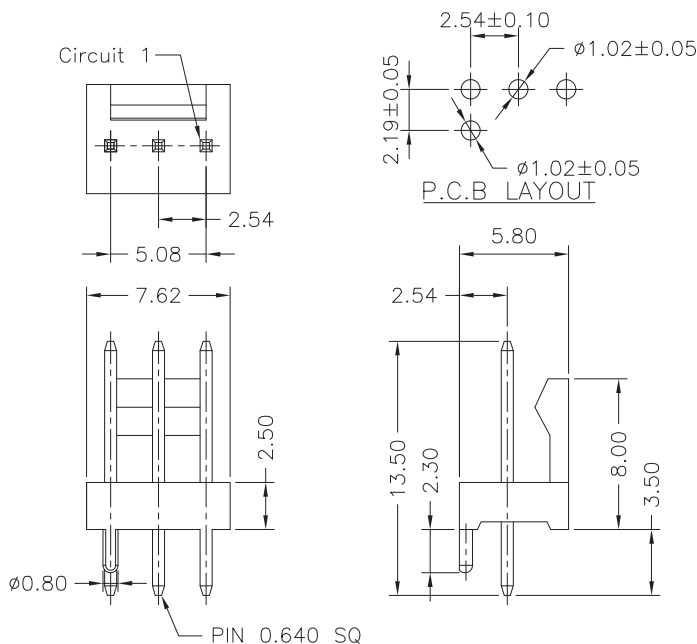
Unit:mm

A2542WVC-F1-03P

—2.54mm pitch 180° Wafer With boss—

Reference Informations:

- *Material: Pin: Brass/Tin-plated
Wafer: Nylon 66,UL94V-0
- *Mates with A2542 series Housing
- *Nylon 46 is available



	A2542WVC-F1-03P	N	0	W	T1	N	00	G
		①	②	③	④	⑤	⑥	⑦

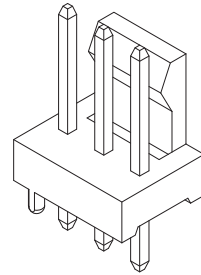
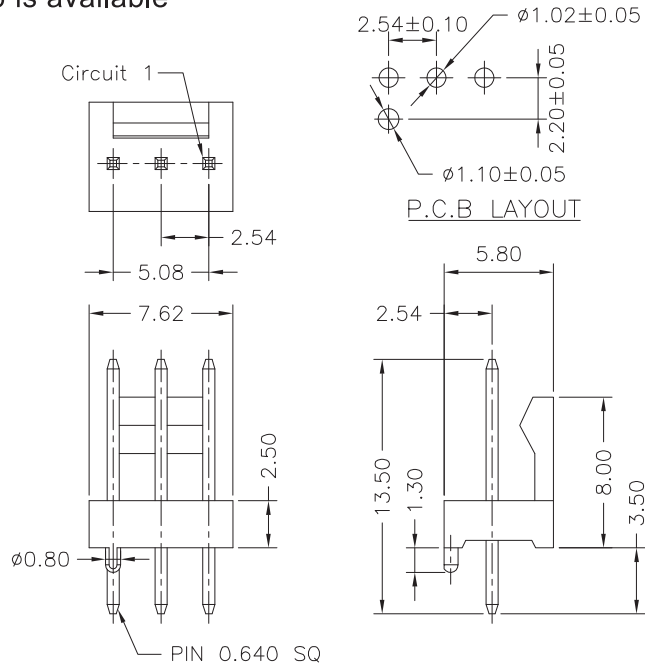
① N=Halogen Free
② Material: 0=Nylon 66-V0
③ Color: W=White
④ Plating code: T1=Tin-plated
⑤ Plating code: N=Non-plating
⑥ Option code: 00=Standard
⑦ Packing code: G=Bag

A2542WVC-F2-03P

—2.54mm pitch 180° Wafer With boss—

Reference Informations:

- *Material: Pin: Brass/Tin-plated
Wafer: Nylon 66,UL94V-0
- *Mates with A2542 series Housing
- *Nylon 46 is available



A2542WVC-F2-03P	N	0	W	T1	N	00	G
	①	②	③	④	⑤	⑥	⑦
①	N=Halogen Free						
②	Material: 0=Nylon 66-V0						
③	Color: W=White						
④	Plating code: T1=Tin-plated						
⑤	Plating code: N=Non-plating						
⑥	Option code: 00=Standard						
⑦	Packing code: G=Bag						

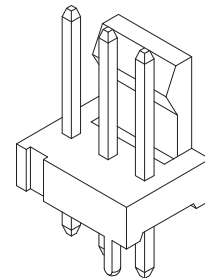
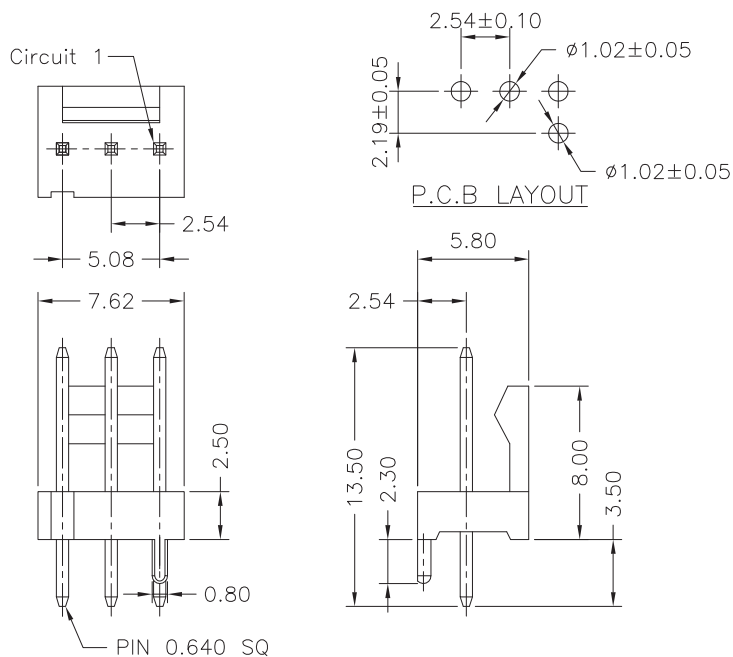
A
B
C
F
ST
HRJ
DC

A2542WVC-F3-03P

—2.54mm pitch 180° Wafer With boss—

Reference Informations:

- *Material: Pin: Brass/Tin-plated
Wafer: Nylon 66,UL94V-0
- *Mates with A2542 series Housing
- *Nylon 46 is available



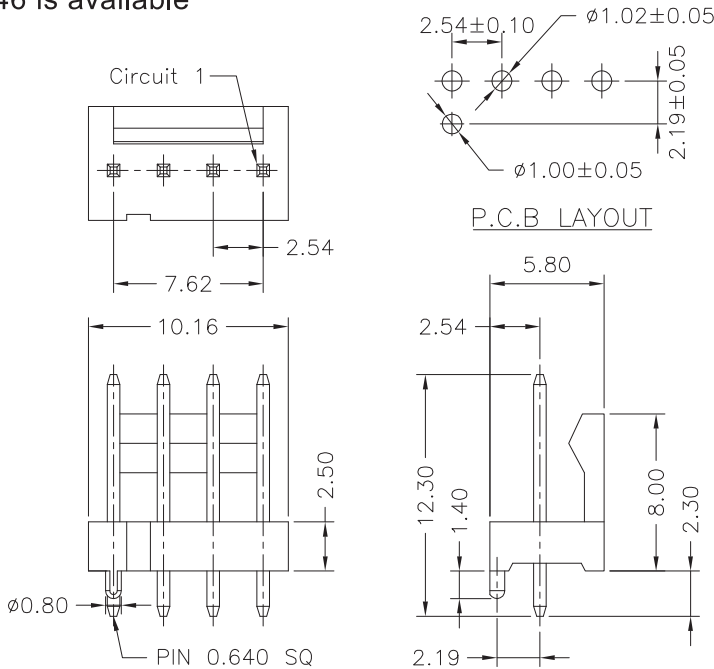
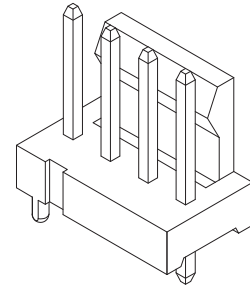
A2542WVC-F3-03P	N	0	W	T1	N	00	G
	①	②	③	④	⑤	⑥	⑦
①	N=Halogen Free						
②	Material: 0=Nylon 66-V0						
③	Color: W=White						
④	Plating code: T1=Tin-plated						
⑤	Plating code: N=Non-plating						
⑥	Option code: 00=Standard						
⑦	Packing code: G=Bag						

A2542WVF-F1-04P

2.54mm pitch 180° Wafer With boss

Reference Informations:

- *Material: Pin: Brass/Tin-plated
Wafer: Nylon 66,UL94V-0
- *Mates with A2542 series Housing
- *Nylon 46 is available



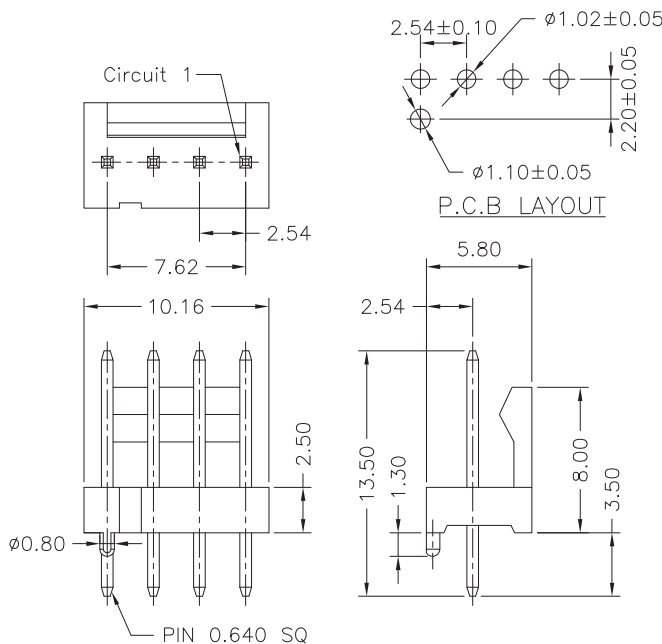
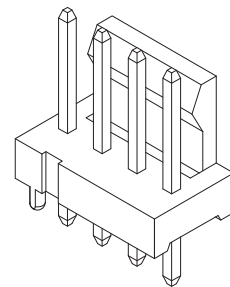
A2542WVF-F1-04P		N	0	W	T1	N	00	G
①	②	③	④	⑤	⑥	⑦		
① N=Halogen Free ② Material: 0=Nylon 66-V0 ③ Color: W=White ④ Plating code: T1=Tin-plated ⑤ Plating code: N=Non-plating ⑥ Option code: 00=Standard ⑦ Packing code: G=Bag								

A2542WVF-F2-04P

2.54mm pitch 180° Wafer With boss

Reference Informations:

- *Material: Pin: Brass/Tin-plated
Wafer: Nylon 66,UL94V-0
- *Mates with A2542 series Housing
- *Nylon 46 is available



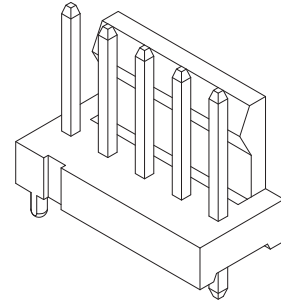
A2542WVF-F2-04P		N	0	W	T1	N	00	G
①	②	③	④	⑤	⑥	⑦		
① N=Halogen Free ② Material: 0=Nylon 66-V0 ③ Color: W=White ④ Plating code: T1=Tin-plated ⑤ Plating code: N=Non-plating ⑥ Option code: 00=Standard ⑦ Packing code: G=Bag								

A2542WVF-F1-05P

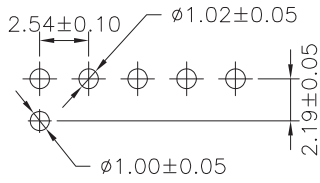
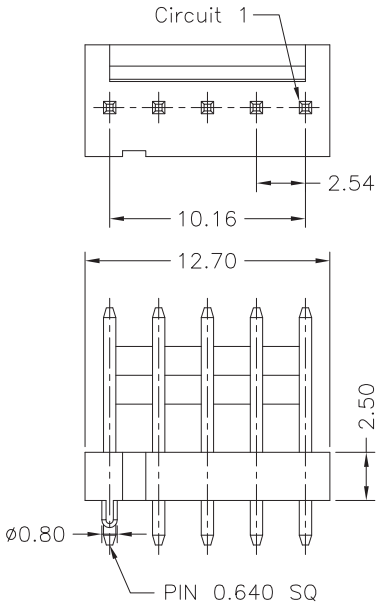
2.54mm pitch 180° Wafer With boss

Reference Informations:

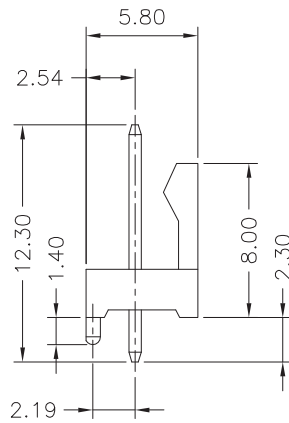
- *Material: Pin: Brass/Tin-plated
Wafer: Nylon 66,UL94V-0
- *Mates with A2542 series Housing
- *Nylon 46 is available



A
B
C
F
ST
HRJ
DC



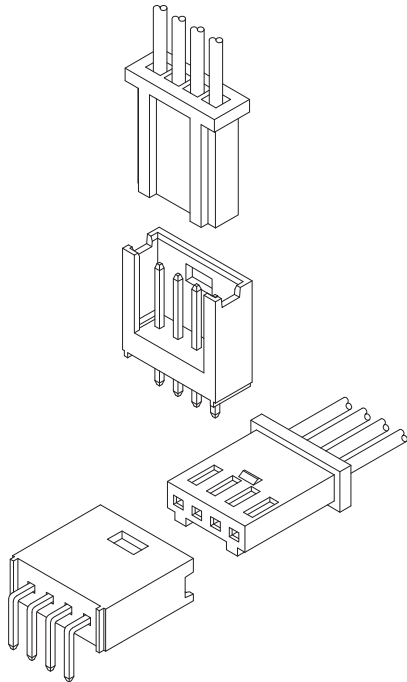
P.C.B LAYOUT



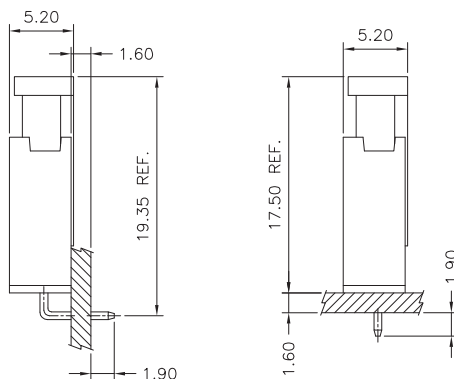
	A2542WVF-F1-05P						
	N	0	W	T1	N	00	G
①	②	③	④	⑤	⑥	⑦	
① N=Halogen Free ② Material: 0=Nylon 66-V0 ③ Color: W=White ④ Plating code: T1=Tin-plated ⑤ Plating code: N=Non-plating ⑥ Option code: 00=Standard ⑦ Packing code: G=Bag							

Specifications

Current rating: 3A AC,DC
 Voltage rating: 250V AC,DC
 Temperature range: -25°C ~ +85°C
 Contact resistance: 20mΩ Max.
 Insulation resistance: 1000MΩ Min.
 Withstanding voltage: 1000V AC/minute



Assembly layout



Ordering code

① ② ③ ④ ⑤
A2543 M-T P E

- ① Series No.
- ② Terminal type: Blank=Female, M=Male
- ③ Plating code: T=Tin-plated
- ④ Material: P=Phosphor Bronze
- ⑤ E=Stamping before plating

① ② ③
A2543 H-04P

- ① Series No.
- ② H=Housing
- ③ No. of circuits

① ② ③ ④
A2543 WV-04P 6TG

- ① Series No.
- ② Connector type: WV=Vertical, WR=Right angle
- ③ No. of circuits
- ④ Option code:
6TG=Nylon 6T, Gold-flash

A2543 SERIES

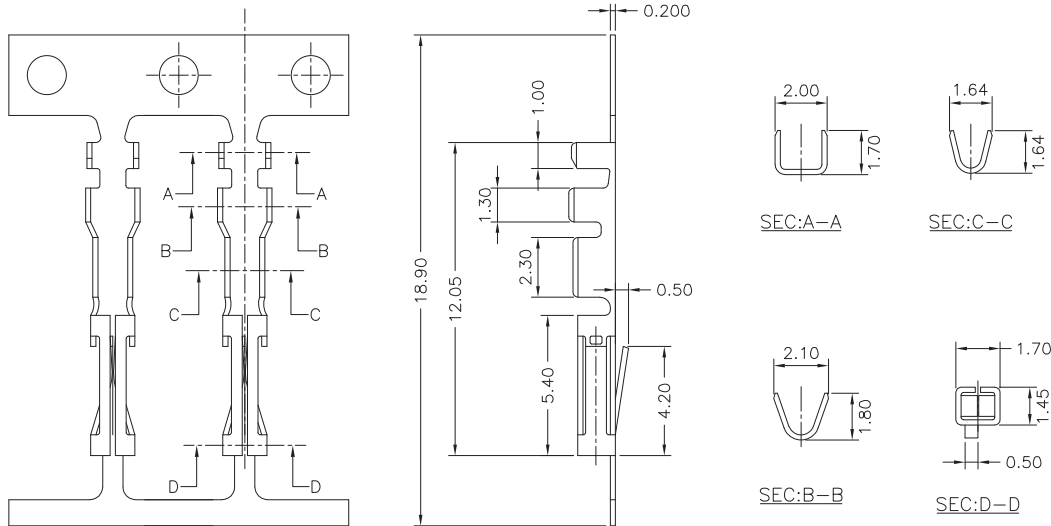
2.54mm pitch wire to board connector

A2543-T

2.54mm pitch Crimp Terminal

Reference Informations:

*Used in A2543H series Housing



A
B
C
F
ST
HRJ
DC

Ordering Information & Specifications:

Unit:mm

Part No.	Wire Range	Insulation O.D.	Material	Finish	Qty/reel
A2543-TPE	AWG#22-#26	1.55mm(max)	Phosphor Bronze	Tin-plated	20,000pcs

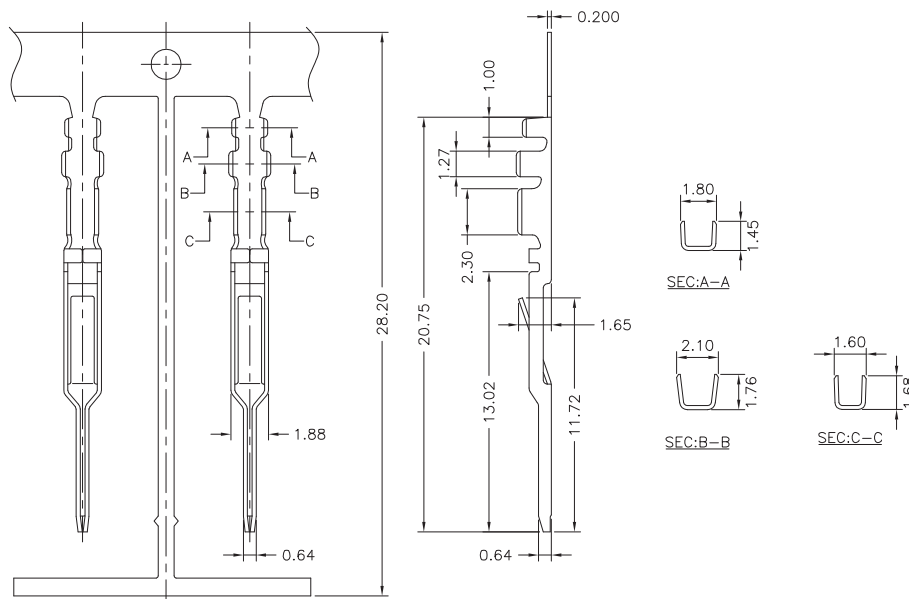
Note:E-Stamping before Tin-plated

A2543M-T

2.54mm pitch Crimp Terminal

Reference Informations:

*Used in A2543HM series Housing



Ordering Information & Specifications:

Unit:mm

Part No.	Wire Range	Insulation O.D.	Material	Finish	Qty/reel
A2543M-TPE	AWG#22-#26	1.55mm(max)	Phosphor Bronze	Tin-plated	15,000pcs

Note:E-Stamping before Tin-plated

A2543 SERIES

2.54mm pitch wire to board connector

A2543H

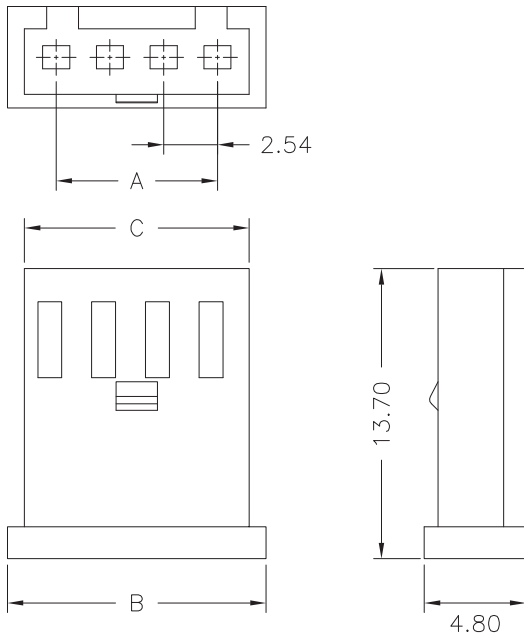
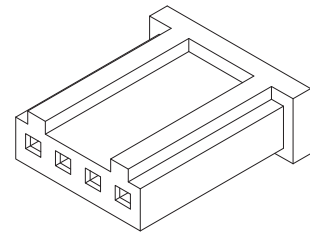
2.54mm pitch Housing

Reference Informations:

*Material: PBT,UL94V-0

*Suitable A2543 series Terminal

*Mates with A2543 series Wafer



	A2543H-04P	N	P	B	NP	N	00	G
		①	②	③	④	⑤	⑥	⑦
①	N=Halogen Free							
②	Material: P=PBT							
③	Color: B=Black							
④	Plating code: NP=Non-plating							
⑤	Plating code: N=Non-plating							
⑥	Option code: 00=Standard							
⑦	Packing code: G=Bag							

Ordering Information & Dimensions:

PART NO.	Dimensions		
	A	B	C
A2543H-02P	2.54	7.10	5.60
A2543H-04P	7.62	12.20	10.60
A2543H-06P	12.70	17.30	15.70
A2543H-08P	17.78	22.30	20.80

Unit:mm

A2543WV

2.54mm pitch 180° Wafer

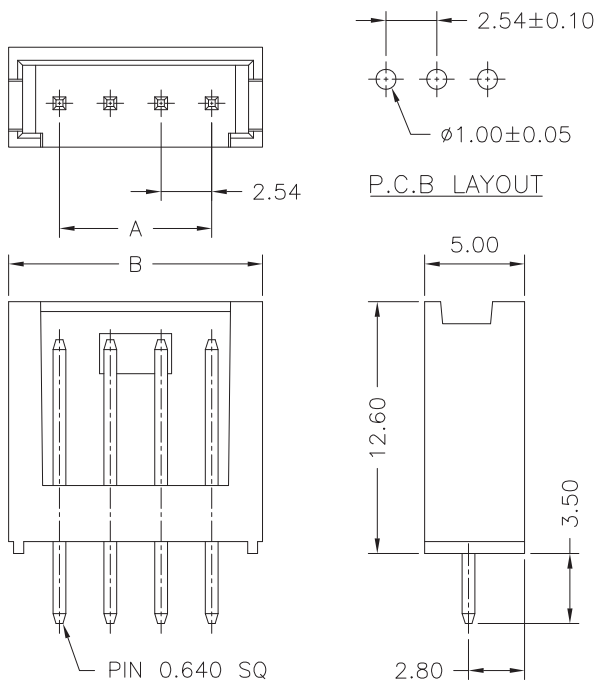
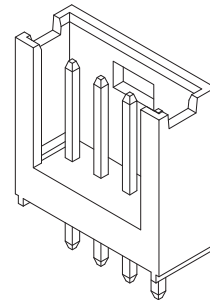
Reference Informations:

*Material: Pin: Brass/Tin-plated

Wafer: PBT,UL94V-0

*Mates with A2543H series Housing

*Nylon 6T is available



	A2543WV-04P	N	P	B	T1	N	00	G
		①	②	③	④	⑤	⑥	⑦
①	N=Halogen Free							
②	Material: P=PBT, 6=Nylon 6T							
③	Color: B=Black							
④	Plating code: T1=Tin-plated, G1=Gold-flash							
⑤	Plating code: N=Non-plating							
⑥	Option code: 00=Standard							
⑦	Packing code: G=Bag							

Ordering Information & Dimensions:

PART NO.	Dimensions	
	A	B
A2543WV-02P	2.54	7.62
A2543WV-04P	7.62	12.70
A2543WV-05P	10.16	15.24
A2543WV-06P	12.70	17.78
A2543WV-08P	17.78	22.86
A2543WV-10P	22.86	27.94

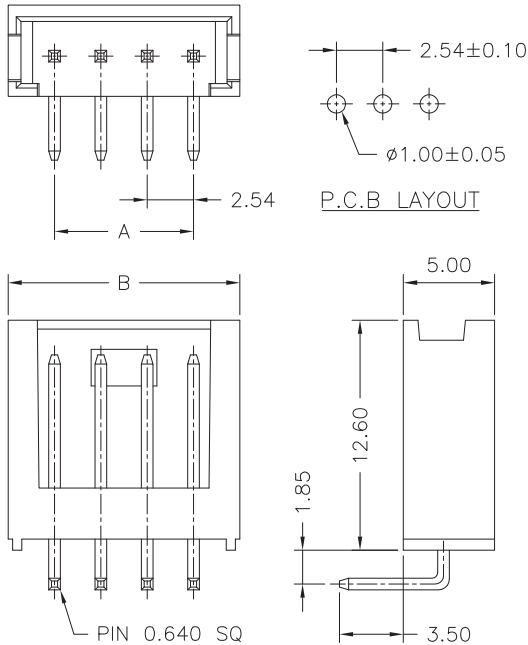
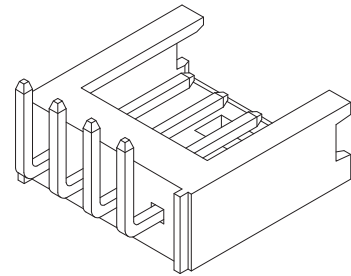
Unit:mm

A2543WR

—2.54mm pitch 90° Wafer—

Reference Informations:

- *Material: Pin: Brass/Tin-plated
Wafer: PBT,UL94V-0
- *Mates with A2543H series Housing
- *Nylon 6T is available



	A2543WR-04P	N	P	B	T1	N	00	G
		①	②	③	④	⑤	⑥	⑦

① N=Halogen Free
② Material: P=PBT, 6=Nylon 6T
③ Color: B=Black
④ Plating code: T1=Tin-plated, G1=Gold-flash
⑤ Plating code: N=Non-plating
⑥ Option code: 00=Standard
⑦ Packing code: G=Bag

Ordering Information & Dimensions:

PART NO.	Dimensions	
	A	B
A2543WR-02P	2.54	7.62
A2543WR-04P	7.62	12.70
A2543WR-05P	10.16	15.24
A2543WR-06P	12.70	17.78
A2543WR-08P	17.78	22.86
A2543WR-10P	22.86	27.94

Unit:mm

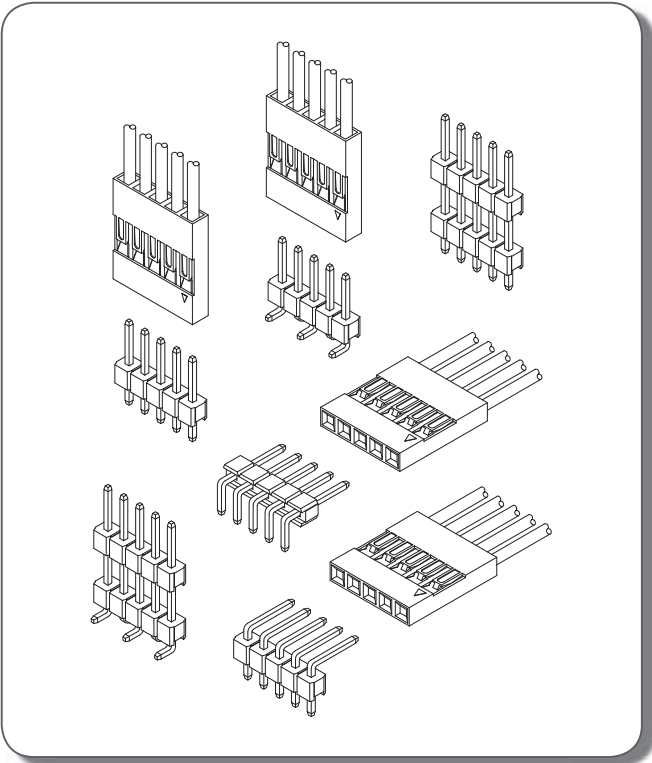
A
B
C
F
ST
HRJ
DC

Specifications

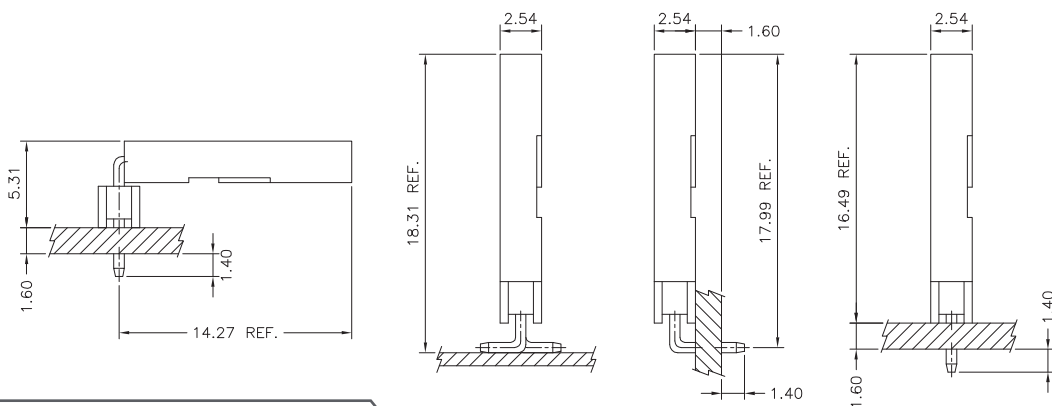
Current rating: 3A AC,DC
 Voltage rating: 250V AC,DC
 Temperature range: -25°C ~ +85°C
 Contact resistance: 20mΩ Max.
 Insulation resistance: 1000MΩ Min.
 Withstanding voltage: 1500V AC/minute

Standards

A
B
C
F
ST
HRJ
DC



Assembly layout



Ordering code

① ② ③ ④ ⑤
A2545 M-H B E

- ① Series No.
- ② Terminal type: M=Male
- ③ Plating code: T=Tin-plated, H=Gold-flash on contact area
- ④ Material: B=Brass
- ⑤ E=Stamping before plating

① ② ③ ④
A2545 H -N-05P

- ① Series No.
- ② H=Housing
- ③ Blank=Normal type, -N=With nose
- ④ No. of circuits

① ② ③ ④ ⑤ ⑥
A2545 WV A -S-05P 6T

- ① Series No.
- ② Connector type: WV=Vertical, WR=Right angle
- ③ Blank=Normal type
A=Dual body stacking headers or A Type(Right angle type only)
- ④ Mounting type: Blank=Through hole
-S=SMT without boss
- ⑤ No. of circuits
- ⑥ Option code:
6T=Nylon 6T, Black(Through hole type only)
66=Nylon 66, Black(Through hole type only)

A2545 SERIES

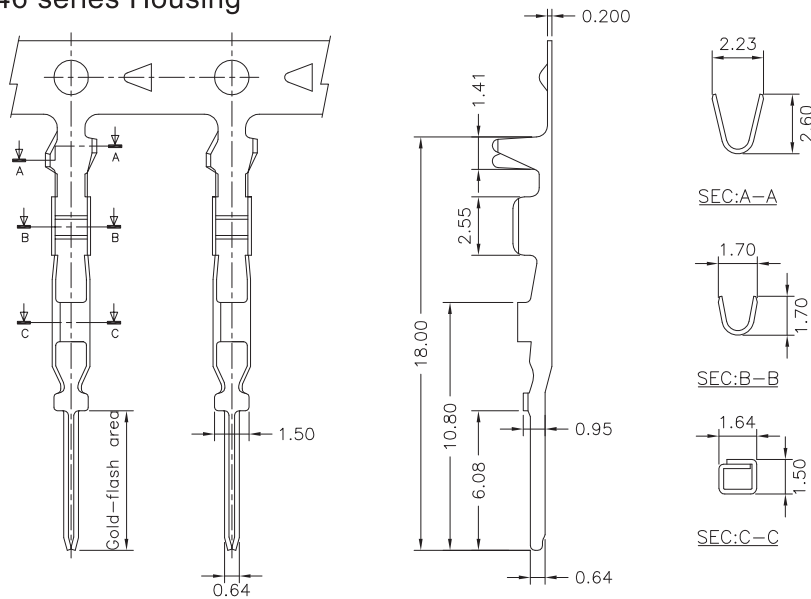
2.54mm pitch wire to board connector

A2545M-T

2.54mm pitch Crimp Terminal

Reference Informations:

*Used in A2545 A2546 series Housing



A
B
C
F
ST
HRJ
DC

Ordering Information & Specifications:

Unit:mm

Part No.	Wire Range	Insulation O.D.	Material	Finish	Qty/reel
A2545M-TBE	AWG#22-#26	1.63mm(max)	Brass	Tin-plated	10,000pcs
A2545M-HBE	AWG#22-#26	1.63mm(max)	Brass	Gold-flash	

Note:E-Stamping before Tin-plated or Gold-flash

A2545H

2.54mm pitch Single Row Housing

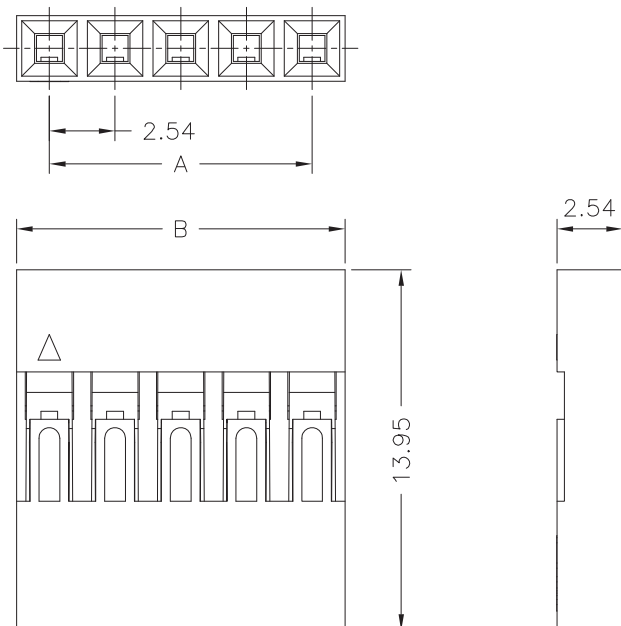
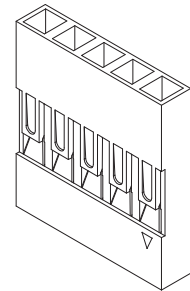
Reference Informations:

*Material: PBT,UL94V-0

*Suitable A2541 series Terminal or A2545M series Terminal

*Mates with A2545 series single row Pin Header

A2545H-05P		N	0	B	NP	N	00	G
		①	②	③	④	⑤	⑥	⑦
① N=Halogen Free								
② Material: 0=Nylon 66-V0								
③ Color: B=Black								
④ Plating code: NP=Non-plating								
⑤ Plating code: N=Non-plating								
⑥ Option code: 00=Standard								
⑦ Packing code: G=Bag								



Ordering Information & Dimensions:

PART NO.	Dimensions		PART NO.	Dimensions	
	A	B		A	B
A2545H-01P	---	2.54	A2545H-21P	50.80	53.34
A2545H-02P	2.54	5.08	A2545H-22P	53.34	55.88
A2545H-03P	5.08	7.62	A2545H-23P	55.88	58.42
A2545H-04P	7.62	10.16	A2545H-24P	58.42	60.96
A2545H-05P	10.16	12.70	A2545H-25P	60.96	63.50
A2545H-06P	12.70	15.24	A2545H-26P	63.50	66.04
A2545H-07P	15.24	17.78	A2545H-27P	66.04	68.58
A2545H-08P	17.78	20.32	A2545H-28P	68.58	71.12
A2545H-09P	20.32	22.86	A2545H-29P	71.12	73.66
A2545H-10P	22.86	25.40	A2545H-30P	73.66	76.20
A2545H-11P	25.40	27.94	A2545H-31P	76.20	78.74
A2545H-12P	27.94	30.48	A2545H-32P	78.74	81.28
A2545H-13P	30.48	33.02	A2545H-33P	81.28	83.82
A2545H-14P	33.02	35.56	A2545H-34P	83.82	86.36
A2545H-15P	35.56	38.10	A2545H-35P	86.36	88.90
A2545H-16P	38.10	40.64	A2545H-36P	88.90	91.44
A2545H-17P	40.64	43.18	A2545H-37P	91.44	93.98
A2545H-18P	43.18	45.72	A2545H-38P	93.98	96.52
A2545H-19P	45.72	48.26	A2545H-39P	96.52	99.06
A2545H-20P	48.26	50.80	A2545H-40P	99.06	101.60

Unit:mm

A2545 SERIES

2.54mm pitch wire to board connector

A2545H-N

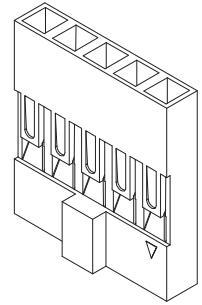
2.54mm pitch Single Row Housing

Reference Informations:

- *Material: PBT,UL94V-0
- *Suitable A2541 series Terminal or A2545M series Terminal
- *Mates with A2545 series single row Pin Header

	A2545H-N-05P						
	N	0	B	NP	N	00	G
①	②	③	④	⑤	⑥	⑦	

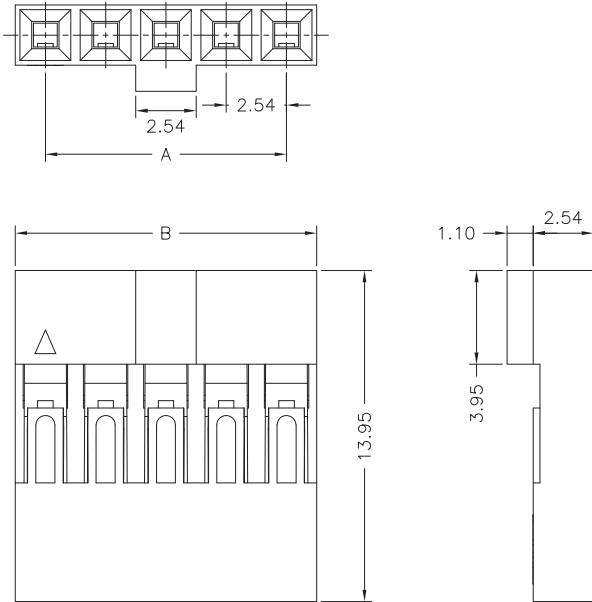
① N=Halogen Free
② Material: 0=Nylon 66-V0
③ Color: B=Black
④ Plating code: NP=Non-plating
⑤ Plating code: N=Non-plating
⑥ Option code: 00=Standard
⑦ Packing code: G=Bag



Ordering Information & Dimensions:

PART NO.	Dimensions		PART NO.	Dimensions	
	A	B		A	B
A2545H-N-02P	2.54	5.08	A2545H-N-22P	53.34	55.88
A2545H-N-03P	5.08	7.62	A2545H-N-23P	55.88	58.42
A2545H-N-04P	7.62	10.16	A2545H-N-24P	58.42	60.96
A2545H-N-05P	10.16	12.70	A2545H-N-25P	60.96	63.50
A2545H-N-06P	12.70	15.24	A2545H-N-26P	63.50	66.04
A2545H-N-07P	15.24	17.78	A2545H-N-27P	66.04	68.58
A2545H-N-08P	17.78	20.32	A2545H-N-28P	68.58	71.12
A2545H-N-09P	20.32	22.86	A2545H-N-29P	71.12	73.66
A2545H-N-10P	22.86	25.40	A2545H-N-30P	73.66	76.20
A2545H-N-11P	25.40	27.94	A2545H-N-31P	76.20	78.74
A2545H-N-12P	27.94	30.48	A2545H-N-32P	78.74	81.28
A2545H-N-13P	30.48	33.02	A2545H-N-33P	81.28	83.82
A2545H-N-14P	33.02	35.56	A2545H-N-34P	83.82	86.36
A2545H-N-15P	35.56	38.10	A2545H-N-35P	86.36	88.90
A2545H-N-16P	38.10	40.64	A2545H-N-36P	88.90	91.44
A2545H-N-17P	40.64	43.18	A2545H-N-37P	91.44	93.98
A2545H-N-18P	43.18	45.72	A2545H-N-38P	93.98	96.52
A2545H-N-19P	45.72	48.26	A2545H-N-39P	96.52	99.06
A2545H-N-20P	48.26	50.80	A2545H-N-40P	99.06	101.60
A2545H-N-21P	50.80	53.34			

Unit:mm



A2545WV

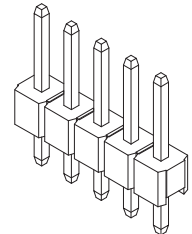
2.54mm pitch 180° Single Row Pin Header

Reference Informations:

- *Material: Pin: Brass/Gold-flash
Wafer: PBT30%GF UL94V-0
- *Mates with A2545 series single row Housing
- *Optional Dim. available but MOQ requested
- *Nylon 6T or Nylon 66 is available

	A2545WV-05P						
	N	P	B	G1	N	00	G
①	②	③	④	⑤	⑥	⑦	

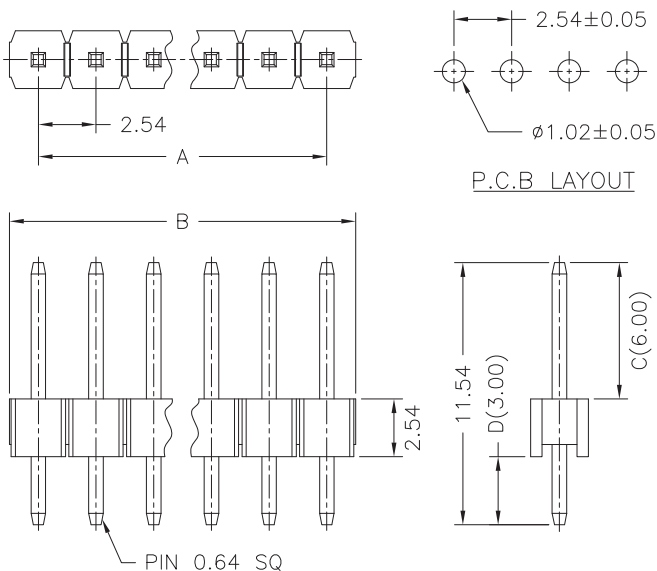
① N=Halogen Free
② Material: P=PBT, O=Nylon 66-V0, 6=Nylon 6T
③ Color: B=Black
④ Plating code: G1=Gold-flash
⑤ Plating code: N=Non-plating
⑥ Option code: 00=Standard
⑦ Packing code: G=Bag



Ordering Information & Dimensions:

PART NO.	Dimensions		PART NO.	Dimensions	
	A	B		A	B
A2545WV-02P	2.54	5.08	A2545WV-22P	53.34	55.88
A2545WV-03P	5.08	7.62	A2545WV-23P	55.88	58.42
A2545WV-04P	7.62	10.16	A2545WV-24P	58.42	60.96
A2545WV-05P	10.16	12.70	A2545WV-25P	60.96	63.50
A2545WV-06P	12.70	15.24	A2545WV-26P	63.50	66.04
A2545WV-07P	15.24	17.78	A2545WV-27P	66.04	68.58
A2545WV-08P	17.78	20.32	A2545WV-28P	68.58	71.12
A2545WV-09P	20.32	22.86	A2545WV-29P	71.12	73.66
A2545WV-10P	22.86	25.40	A2545WV-30P	73.66	76.20
A2545WV-11P	25.40	27.94	A2545WV-31P	76.20	78.74
A2545WV-12P	27.94	30.48	A2545WV-32P	78.74	81.28
A2545WV-13P	30.48	33.02	A2545WV-33P	81.28	83.82
A2545WV-14P	33.02	35.56	A2545WV-34P	83.82	86.36
A2545WV-15P	35.56	38.10	A2545WV-35P	86.36	88.90
A2545WV-16P	38.10	40.64	A2545WV-36P	88.90	91.44
A2545WV-17P	40.64	43.18	A2545WV-37P	91.44	93.98
A2545WV-18P	43.18	45.72	A2545WV-38P	93.98	96.52
A2545WV-19P	45.72	48.26	A2545WV-39P	96.52	99.06
A2545WV-20P	48.26	50.80	A2545WV-40P	99.06	101.60
A2545WV-21P	50.80	53.34			

Unit:mm



A2545 SERIES

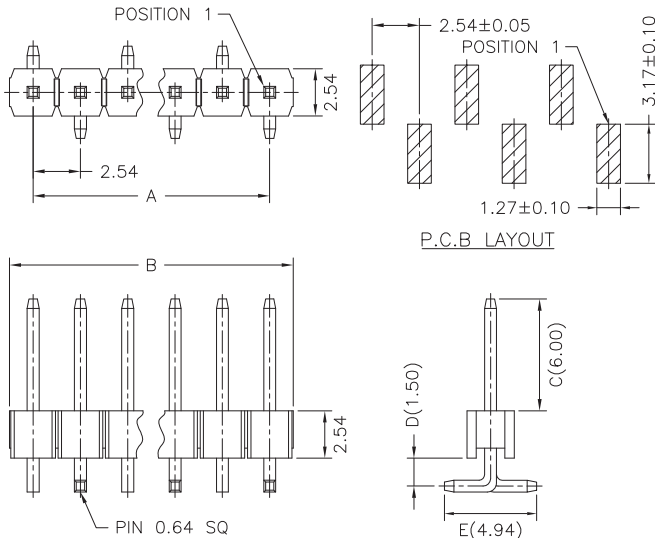
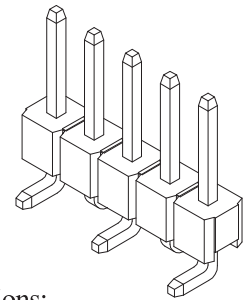
2.54mm pitch wire to board connector

A2545WV-S

2.54mm pitch 180° Single Row Pin Header - SMT TYPE

Reference Informations:

- *Material: Pin: Brass/Gold-flash
Wafer: Nylon 6T,UL94V-0
- *Mates with A2545 series single row Housing
- *Optional Dim. available but MOQ requested



Ordering Information & Dimensions:

PART NO.	Dimensions		PART NO.	Dimensions	
	A	B		A	B
A2545WV-S-02P	2.54	5.08	A2545WV-S-22P	53.34	55.88
A2545WV-S-03P	5.08	7.62	A2545WV-S-23P	55.88	58.42
A2545WV-S-04P	7.62	10.16	A2545WV-S-24P	58.42	60.96
A2545WV-S-05P	10.16	12.70	A2545WV-S-25P	60.96	63.50
A2545WV-S-06P	12.70	15.24	A2545WV-S-26P	63.50	66.04
A2545WV-S-07P	15.24	17.78	A2545WV-S-27P	66.04	68.58
A2545WV-S-08P	17.78	20.32	A2545WV-S-28P	68.58	71.12
A2545WV-S-09P	20.32	22.86	A2545WV-S-29P	71.12	73.66
A2545WV-S-10P	22.86	25.40	A2545WV-S-30P	73.66	76.20
A2545WV-S-11P	25.40	27.94	A2545WV-S-31P	76.20	78.74
A2545WV-S-12P	27.94	30.48	A2545WV-S-32P	78.74	81.28
A2545WV-S-13P	30.48	33.02	A2545WV-S-33P	81.28	83.82
A2545WV-S-14P	33.02	35.56	A2545WV-S-34P	83.82	86.36
A2545WV-S-15P	35.56	38.10	A2545WV-S-35P	86.36	88.90
A2545WV-S-16P	38.10	40.64	A2545WV-S-36P	88.90	91.44
A2545WV-S-17P	40.64	43.18	A2545WV-S-37P	91.44	93.98
A2545WV-S-18P	43.18	45.72	A2545WV-S-38P	93.98	96.52
A2545WV-S-19P	45.72	48.26	A2545WV-S-39P	96.52	99.06
A2545WV-S-20P	48.26	50.80	A2545WV-S-40P	99.06	101.60
A2545WV-S-21P	50.80	53.34			

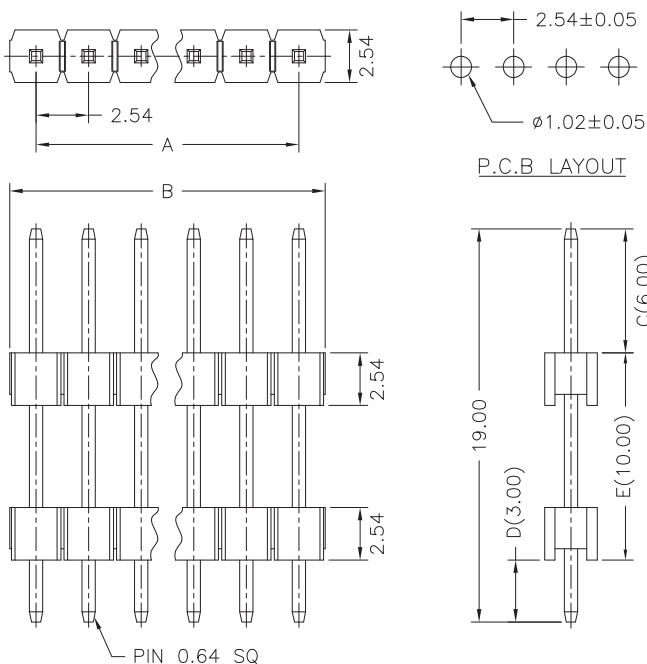
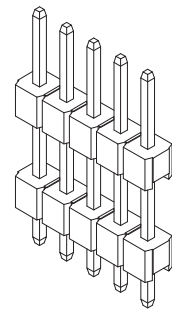
Unit:mm

A2545WVA

2.54mm pitch 180° Single Row Pin Header

Reference Informations:

- *Material: Pin: Brass/Gold-flash
Wafer: PBT30%GF,UL94V-0
- *Optional Dim. available but MOQ requested
- *Nylon 6T or Nylon 66 is available



Ordering Information & Dimensions:

PART NO.	Dimensions		PART NO.	Dimensions	
	A	B		A	B
A2545WVA-02P	2.54	5.08	A2545WVA-22P	53.34	55.88
A2545WVA-03P	5.08	7.62	A2545WVA-23P	55.88	58.42
A2545WVA-04P	7.62	10.16	A2545WVA-24P	58.42	60.96
A2545WVA-05P	10.16	12.70	A2545WVA-25P	60.96	63.50
A2545WVA-06P	12.70	15.24	A2545WVA-26P	63.50	66.04
A2545WVA-07P	15.24	17.78	A2545WVA-27P	66.04	68.58
A2545WVA-08P	17.78	20.32	A2545WVA-28P	68.58	71.12
A2545WVA-09P	20.32	22.86	A2545WVA-29P	71.12	73.66
A2545WVA-10P	22.86	25.40	A2545WVA-30P	73.66	76.20
A2545WVA-11P	25.40	27.94	A2545WVA-31P	76.20	78.74
A2545WVA-12P	27.94	30.48	A2545WVA-32P	78.74	81.28
A2545WVA-13P	30.48	33.02	A2545WVA-33P	81.28	83.82
A2545WVA-14P	33.02	35.56	A2545WVA-34P	83.82	86.36
A2545WVA-15P	35.56	38.10	A2545WVA-35P	86.36	88.90
A2545WVA-16P	38.10	40.64	A2545WVA-36P	88.90	91.44
A2545WVA-17P	40.64	43.18	A2545WVA-37P	91.44	93.98
A2545WVA-18P	43.18	45.72	A2545WVA-38P	93.98	96.52
A2545WVA-19P	45.72	48.26	A2545WVA-39P	96.52	99.06
A2545WVA-20P	48.26	50.80	A2545WVA-40P	99.06	101.60
A2545WVA-21P	50.80	53.34			

Unit:mm

A
B
C
F
ST
HRJ
DC

A2545 SERIES

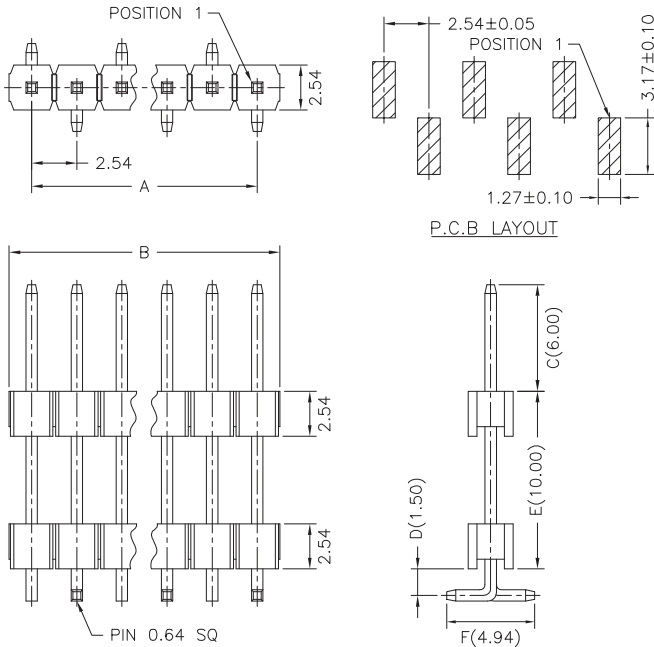
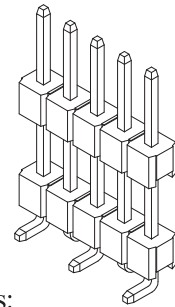
2.54mm pitch wire to board connector

A2545WVA-S

2.54mm pitch 180° Single Row Pin Header - SMT TYPE

Reference Informations:

- *Material: Pin: Brass/Gold-flash
Wafer: Nylon 6T,UL94V-0
- *Optional Dim. available but MOQ requested



Ordering Information & Dimensions:

PART NO.	Dimensions		PART NO.	Dimensions	
	A	B		A	B
A2545WVA-S-02P	2.54	5.08	A2545WVA-S-22P	53.34	55.88
A2545WVA-S-03P	5.08	7.62	A2545WVA-S-23P	55.88	58.42
A2545WVA-S-04P	7.62	10.16	A2545WVA-S-24P	58.42	60.96
A2545WVA-S-05P	10.16	12.70	A2545WVA-S-25P	60.96	63.50
A2545WVA-S-06P	12.70	15.24	A2545WVA-S-26P	63.50	66.04
A2545WVA-S-07P	15.24	17.78	A2545WVA-S-27P	66.04	68.58
A2545WVA-S-08P	17.78	20.32	A2545WVA-S-28P	68.58	71.12
A2545WVA-S-09P	20.32	22.86	A2545WVA-S-29P	71.12	73.66
A2545WVA-S-10P	22.86	25.40	A2545WVA-S-30P	73.66	76.20
A2545WVA-S-11P	25.40	27.94	A2545WVA-S-31P	76.20	78.74
A2545WVA-S-12P	27.94	30.48	A2545WVA-S-32P	78.74	81.28
A2545WVA-S-13P	30.48	33.02	A2545WVA-S-33P	81.28	83.82
A2545WVA-S-14P	33.02	35.56	A2545WVA-S-34P	83.82	86.36
A2545WVA-S-15P	35.56	38.10	A2545WVA-S-35P	86.36	88.90
A2545WVA-S-16P	38.10	40.64	A2545WVA-S-36P	88.90	91.44
A2545WVA-S-17P	40.64	43.18	A2545WVA-S-37P	91.44	93.98
A2545WVA-S-18P	43.18	45.72	A2545WVA-S-38P	93.98	96.52
A2545WVA-S-19P	45.72	48.26	A2545WVA-S-39P	96.52	99.06
A2545WVA-S-20P	48.26	50.80	A2545WVA-S-40P	99.06	101.60
A2545WVA-S-21P	50.80	53.34			

Unit:mm

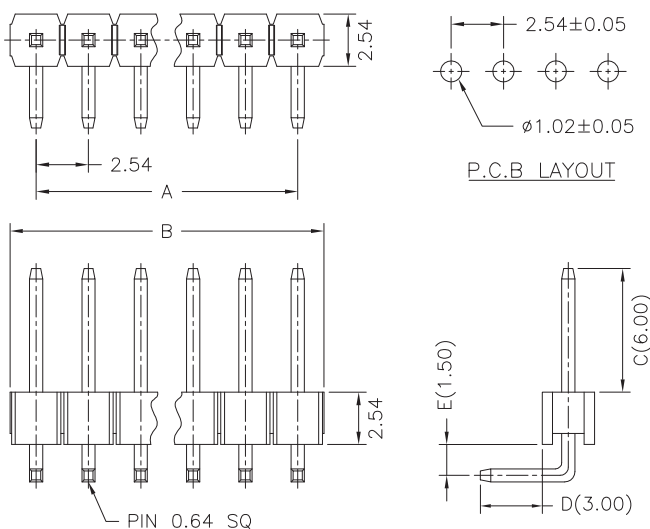
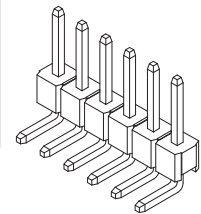
A2545WR

2.54mm pitch 90° Single Row Pin Header

Reference Informations:

- *Material: Pin: Brass/Gold-flash
Wafer: PBT30%GF,UL94V-0
- *Mates with H.R A2545 series single row Housing
- *Optional Dim. available but MOQ requested
- *Nylon 6T or Nylon 66 is available

A2545WR-05P		N	P	B	G1	N	00	G
		①	②	③	④	⑤	⑥	⑦
① N=Halogen Free								
② Material: P=PBT, 0=Nylon 66-V0, 6=Nylon 6T								
③ Color: B=Black								
④ Plating code: G1=Gold-flash								
⑤ Plating code: N=Non-plating								
⑥ Option code: 00=Standard								
⑦ Packing code: G=Bag								



Ordering Information & Dimensions:

PART NO.	Dimensions		PART NO.	Dimensions	
	A	B		A	B
A2545WR-02P	2.54	5.08	A2545WR-22P	53.34	55.88
A2545WR-03P	5.08	7.62	A2545WR-23P	55.88	58.42
A2545WR-04P	7.62	10.16	A2545WR-24P	58.42	60.96
A2545WR-05P	10.16	12.70	A2545WR-25P	60.96	63.50
A2545WR-06P	12.70	15.24	A2545WR-26P	63.50	66.04
A2545WR-07P	15.24	17.78	A2545WR-27P	66.04	68.58
A2545WR-08P	17.78	20.32	A2545WR-28P	68.58	71.12
A2545WR-09P	20.32	22.86	A2545WR-29P	71.12	73.66
A2545WR-10P	22.86	25.40	A2545WR-30P	73.66	76.20
A2545WR-11P	25.40	27.94	A2545WR-31P	76.20	78.74
A2545WR-12P	27.94	30.48	A2545WR-32P	78.74	81.28
A2545WR-13P	30.48	33.02	A2545WR-33P	81.28	83.82
A2545WR-14P	33.02	35.56	A2545WR-34P	83.82	86.36
A2545WR-15P	35.56	38.10	A2545WR-35P	86.36	88.90
A2545WR-16P	38.10	40.64	A2545WR-36P	88.90	91.44
A2545WR-17P	40.64	43.18	A2545WR-37P	91.44	93.98
A2545WR-18P	43.18	45.72	A2545WR-38P	93.98	96.52
A2545WR-19P	45.72	48.26	A2545WR-39P	96.52	99.06
A2545WR-20P	48.26	50.80	A2545WR-40P	99.06	101.60
A2545WR-21P	50.80	53.34			

Unit:mm

A2545 SERIES

2.54mm pitch wire to board connector

A2545WRA

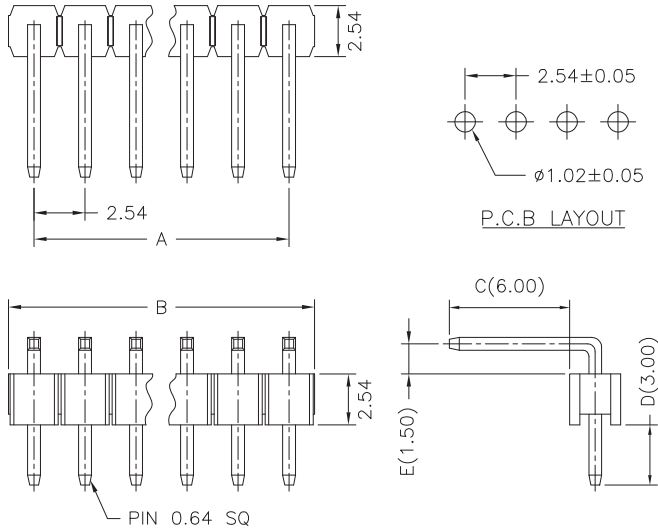
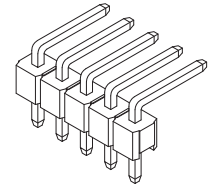
—2.54mm pitch 90° Single Row Pin Header—

Reference Informations:

- *Material: Pin: Brass/Gold-flash
Wafer: PBT30%GF,UL94V-0
- *Mates with A2545 series single row Housing
- *Optional Dim. available but MOQ requested
- *Nylon 6T or Nylon 66 is available

	A2545WRA-05P	N	P	B	G1	N	00	G
		①	②	③	④	⑤	⑥	⑦

① N=Halogen Free
② Material: P=PBT, 0=Nylon 66-V0, 6=Nylon 6T
③ Color: B=Black
④ Plating code: G1=Gold-flash
⑤ Plating code: N=Non-plating
⑥ Option code: 00=Standard
⑦ Packing code: G=Bag



Ordering Information & Dimensions:

PART NO.	Dimensions		PART NO.	Dimensions	
	A	B		A	B
A2545WRA-02P	2.54	5.08	A2545WRA-22P	53.34	55.88
A2545WRA-03P	5.08	7.62	A2545WRA-23P	55.88	58.42
A2545WRA-04P	7.62	10.16	A2545WRA-24P	58.42	60.96
A2545WRA-05P	10.16	12.70	A2545WRA-25P	60.96	63.50
A2545WRA-06P	12.70	15.24	A2545WRA-26P	63.50	66.04
A2545WRA-07P	15.24	17.78	A2545WRA-27P	66.04	68.58
A2545WRA-08P	17.78	20.32	A2545WRA-28P	68.58	71.12
A2545WRA-09P	20.32	22.86	A2545WRA-29P	71.12	73.66
A2545WRA-10P	22.86	25.40	A2545WRA-30P	73.66	76.20
A2545WRA-11P	25.40	27.94	A2545WRA-31P	76.20	78.74
A2545WRA-12P	27.94	30.48	A2545WRA-32P	78.74	81.28
A2545WRA-13P	30.48	33.02	A2545WRA-33P	81.28	83.82
A2545WRA-14P	33.02	35.56	A2545WRA-34P	83.82	86.36
A2545WRA-15P	35.56	38.10	A2545WRA-35P	86.36	88.90
A2545WRA-16P	38.10	40.64	A2545WRA-36P	88.90	91.44
A2545WRA-17P	40.64	43.18	A2545WRA-37P	91.44	93.98
A2545WRA-18P	43.18	45.72	A2545WRA-38P	93.98	96.52
A2545WRA-19P	45.72	48.26	A2545WRA-39P	96.52	99.06
A2545WRA-20P	48.26	50.80	A2545WRA-40P	99.06	101.60
A2545WRA-21P	50.80	53.34			

Unit:mm

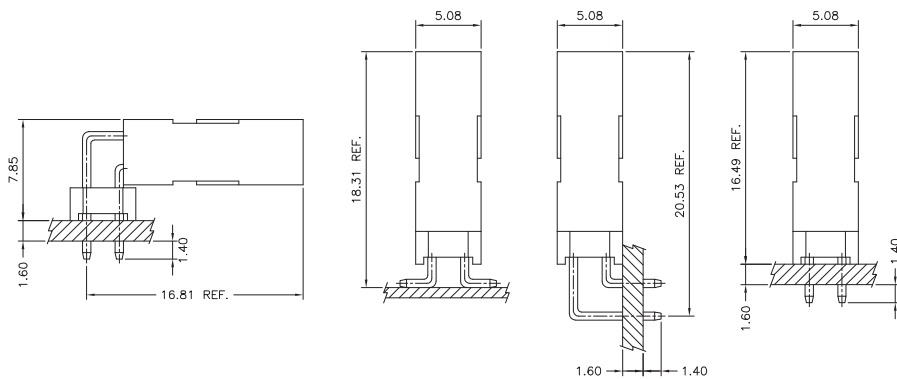
A
B
C
F
ST
HRJ
DC

Specifications

Current rating: 3A AC,DC
 Voltage rating: 250V AC,DC
 Temperature range: -25°C ~ +85°C
 Contact resistance: 20mΩ Max.
 Insulation resistance: 1000MΩ Min.
 Withstanding voltage: 1500V AC/minute

Standards

Assembly layout



Ordering code

① A2546 ② H ③ A ④ -N- ⑤ 2X ⑥ 05P

- ① Series No.
- ② H=Housing
- ③ Blank=Normal type
A=Reverse type(Without nose type only)
- ④ Blank=Normal type, -N=With nose
- ⑤ 2X=Dual row
- ⑥ No. of circuits

① A2546 ② WV ③ A ④ -S- ⑤ 2X ⑥ 05P ⑦ 6T

- ① Series No.
- ② Connector type: WV=Vertical, WR=Right angle
- ③ Blank=Normal type
A=Dual body stacking headers or
A Type(Right angle type only)
B=B Type(Right angle type only)
- ④ Mounting type: Blank=Through hole
-S=SMT without boss
- ⑤ 2X=Dual row
- ⑥ No. of circuits
- ⑦ Option code:
6T=Nylon 6T, Black(Through hole type only)
66=Nylon 66, Black(Through hole type only)

A2546 SERIES

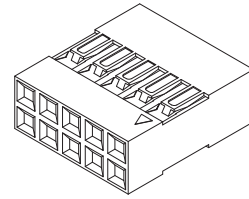
2.54mm pitch wire to board connector

A2546H-2

— 2.54mm pitch Dual Row Housing

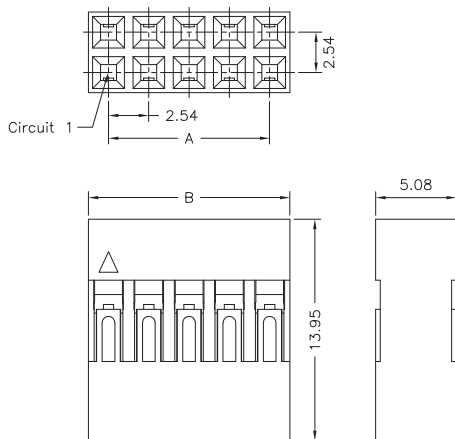
Reference Informations:

- *Material: Nylon 66,UL94V-0
- *Suitable A2541 series Terminal or A2545M series Terminal
- *Mates with A2546 series dual row Pin Header or A2548 series dual row Box Header



	A2546H-2X05P						
	N	0	B	NP	N	00	G
	①	②	③	④	⑤	⑥	⑦

① N=Halogen Free
 ② Material: 0=Nylon 66-V0
 ③ Color: B=Black
 ④ Plating code: NP=Non-plating
 ⑤ Plating code: N=Non-plating
 ⑥ Option code: 00=Standard
 ⑦ Packing code: G=Bag



Ordering Information & Dimensions:

PART NO.	Dimensions		PART NO.	Dimensions	
	A	B		A	B
A2546H-2X02P	2.54	5.08	A2546H-2X22P	53.34	55.88
A2546H-2X03P	5.08	7.62	A2546H-2X23P	55.88	58.42
A2546H-2X04P	7.62	10.16	A2546H-2X24P	58.42	60.96
A2546H-2X05P	10.16	12.70	A2546H-2X25P	60.96	63.50
A2546H-2X06P	12.70	15.24	A2546H-2X26P	63.50	66.04
A2546H-2X07P	15.24	17.78	A2546H-2X27P	66.04	68.58
A2546H-2X08P	17.78	20.32	A2546H-2X28P	68.58	71.12
A2546H-2X09P	20.32	22.86	A2546H-2X29P	71.12	73.66
A2546H-2X10P	22.86	25.40	A2546H-2X30P	73.66	76.20
A2546H-2X11P	25.40	27.94	A2546H-2X31P	76.20	78.74
A2546H-2X12P	27.94	30.48	A2546H-2X32P	78.74	81.28
A2546H-2X13P	30.48	33.02	A2546H-2X33P	81.28	83.82
A2546H-2X14P	33.02	35.56	A2546H-2X34P	83.82	86.36
A2546H-2X15P	35.56	38.10	A2546H-2X35P	86.36	88.90
A2546H-2X16P	38.10	40.64	A2546H-2X36P	88.90	91.44
A2546H-2X17P	40.64	43.18	A2546H-2X37P	91.44	93.98
A2546H-2X18P	43.18	45.72	A2546H-2X38P	93.98	96.52
A2546H-2X19P	45.72	48.26	A2546H-2X39P	96.52	99.06
A2546H-2X20P	48.26	50.80	A2546H-2X40P	99.06	101.60
A2546H-2X21P	50.80	53.34			

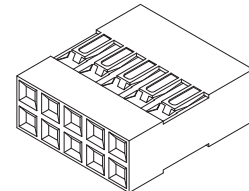
Unit:mm

A2546HA-2

— 2.54mm pitch Dual Row Housing - REVERSE TYPE

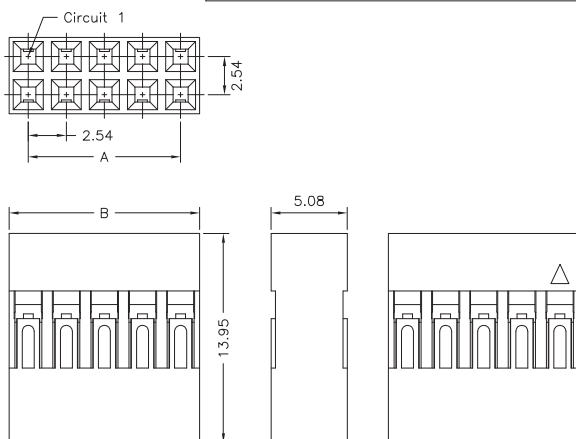
Reference Informations:

- *Material: Nylon 66,UL94V-0
- *Suitable A2541 series Terminal or A2545M series Terminal
- *Mates with A2546 series dual row Pin Header or A2548 series dual row Box Header



	A2546HA-2X05P						
	N	0	B	NP	N	00	G
	①	②	③	④	⑤	⑥	⑦

① N=Halogen Free
 ② Material: 0=Nylon 66-V0
 ③ Color: B=Black
 ④ Plating code: NP=Non-plating
 ⑤ Plating code: N=Non-plating
 ⑥ Option code: 00=Standard
 ⑦ Packing code: G=Bag



Ordering Information & Dimensions:

PART NO.	Dimensions		PART NO.	Dimensions	
	A	B		A	B
A2546HA-2X02P	2.54	5.08	A2546HA-2X22P	53.34	55.88
A2546HA-2X03P	5.08	7.62	A2546HA-2X23P	55.88	58.42
A2546HA-2X04P	7.62	10.16	A2546HA-2X24P	58.42	60.96
A2546HA-2X05P	10.16	12.70	A2546HA-2X25P	60.96	63.50
A2546HA-2X06P	12.70	15.24	A2546HA-2X26P	63.50	66.04
A2546HA-2X07P	15.24	17.78	A2546HA-2X27P	66.04	68.58
A2546HA-2X08P	17.78	20.32	A2546HA-2X28P	68.58	71.12
A2546HA-2X09P	20.32	22.86	A2546HA-2X29P	71.12	73.66
A2546HA-2X10P	22.86	25.40	A2546HA-2X30P	73.66	76.20
A2546HA-2X11P	25.40	27.94	A2546HA-2X31P	76.20	78.74
A2546HA-2X12P	27.94	30.48	A2546HA-2X32P	78.74	81.28
A2546HA-2X13P	30.48	33.02	A2546HA-2X33P	81.28	83.82
A2546HA-2X14P	33.02	35.56	A2546HA-2X34P	83.82	86.36
A2546HA-2X15P	35.56	38.10	A2546HA-2X35P	86.36	88.90
A2546HA-2X16P	38.10	40.64	A2546HA-2X36P	88.90	91.44
A2546HA-2X17P	40.64	43.18	A2546HA-2X37P	91.44	93.98
A2546HA-2X18P	43.18	45.72	A2546HA-2X38P	93.98	96.52
A2546HA-2X19P	45.72	48.26	A2546HA-2X39P	96.52	99.06
A2546HA-2X20P	48.26	50.80	A2546HA-2X40P	99.06	101.60
A2546HA-2X21P	50.80	53.34			

Unit:mm

A
B
C
F
ST
HRJ
DC

A2546 SERIES

2.54mm pitch wire to board connector

A2546H-N-2

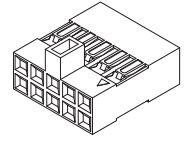
2.54mm pitch Dual Row Housing With Nose

Reference Informations:

- *Material: Nylon 66,UL94V-0
- *Suitable A2541 series Terminal or A2545M series Terminal
- *Mates with A2546 series dual row Pin Header or A2548 series dual row Box Header

	A2546H-N-2X05P	N	0	B	NP	N	00	G
		①	②	③	④	⑤	⑥	⑦

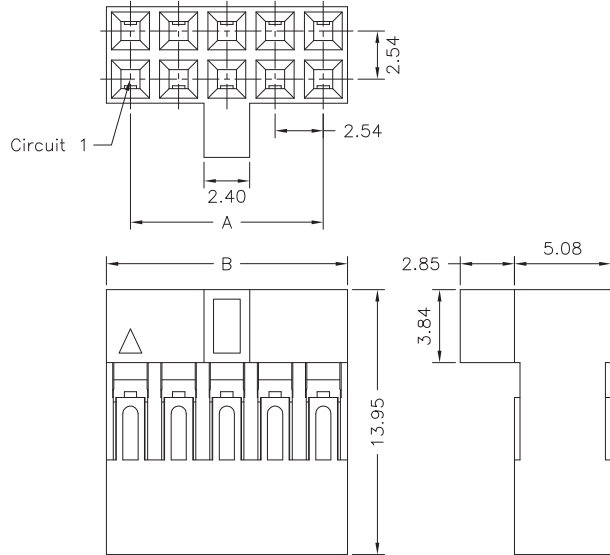
① N=Halogen Free
 ② Material: 0=Nylon 66-V0
 ③ Color: B=Black
 ④ Plating code: NP=Non-plating
 ⑤ Plating code: N=Non-plating
 ⑥ Option code: 00=Standard
 ⑦ Packing code: G=Bag



Ordering Information & Dimensions:

PART NO.	Dimensions		PART NO.	Dimensions	
	A	B		A	B
A2546H-N-2X02P	2.54	5.08	A2546H-N-2X22P	53.34	55.88
A2546H-N-2X03P	5.08	7.62	A2546H-N-2X23P	55.88	58.42
A2546H-N-2X04P	7.62	10.16	A2546H-N-2X24P	58.42	60.96
A2546H-N-2X05P	10.16	12.70	A2546H-N-2X25P	60.96	63.50
A2546H-N-2X06P	12.70	15.24	A2546H-N-2X26P	63.50	66.04
A2546H-N-2X07P	15.24	17.78	A2546H-N-2X27P	66.04	68.58
A2546H-N-2X08P	17.78	20.32	A2546H-N-2X28P	68.58	71.12
A2546H-N-2X09P	20.32	22.86	A2546H-N-2X29P	71.12	73.66
A2546H-N-2X10P	22.86	25.40	A2546H-N-2X30P	73.66	76.20
A2546H-N-2X11P	25.40	27.94	A2546H-N-2X31P	76.20	78.74
A2546H-N-2X12P	27.94	30.48	A2546H-N-2X32P	78.74	81.28
A2546H-N-2X13P	30.48	33.02	A2546H-N-2X33P	81.28	83.82
A2546H-N-2X14P	33.02	35.56	A2546H-N-2X34P	83.82	86.36
A2546H-N-2X15P	35.56	38.10	A2546H-N-2X35P	86.36	88.90
A2546H-N-2X16P	38.10	40.64	A2546H-N-2X36P	88.90	91.44
A2546H-N-2X17P	40.64	43.18	A2546H-N-2X37P	91.44	93.98
A2546H-N-2X18P	43.18	45.72	A2546H-N-2X38P	93.98	96.52
A2546H-N-2X19P	45.72	48.26	A2546H-N-2X39P	96.52	99.06
A2546H-N-2X20P	48.26	50.80	A2546H-N-2X40P	99.06	101.60
A2546H-N-2X21P	50.80	53.34			

Unit:mm



A2546WV-2

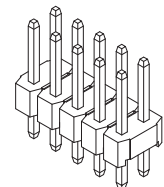
2.54mm pitch 180° Dual Row Pin Header

Reference Informations:

- *Material: Pin: Brass/Gold-flash
Wafer: PBT30%GF,UL94V-0
- *Mates with A2546 series dual row Housing
- *Optional Dim. available but MOQ requested
- *Nylon 6T or Nylon 66 is available

	A2546WV-2X05P	N	P	B	G1	N	00	G
		①	②	③	④	⑤	⑥	⑦

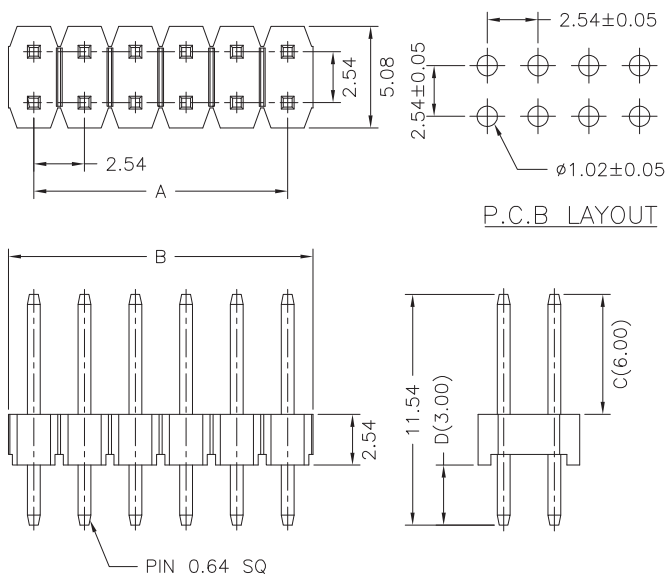
① N=Halogen Free
 ② Material: P=PBT, 0=Nylon 66-V0, 6=Nylon 6T
 ③ Color: B=Black
 ④ Plating code: G1=Gold-flash
 ⑤ Plating code: N=Non-plating
 ⑥ Option code: 00=Standard
 ⑦ Packing code: G=Bag



Ordering Information & Dimensions:

PART NO.	Dimensions		PART NO.	Dimensions	
	A	B		A	B
A2546WV-2X02P	2.54	5.08	A2546WV-2X22P	53.34	55.88
A2546WV-2X03P	5.08	7.62	A2546WV-2X23P	55.88	58.42
A2546WV-2X04P	7.62	10.16	A2546WV-2X24P	58.42	60.96
A2546WV-2X05P	10.16	12.70	A2546WV-2X25P	60.96	63.50
A2546WV-2X06P	12.70	15.24	A2546WV-2X26P	63.50	66.04
A2546WV-2X07P	15.24	17.78	A2546WV-2X27P	66.04	68.58
A2546WV-2X08P	17.78	20.32	A2546WV-2X28P	68.58	71.12
A2546WV-2X09P	20.32	22.86	A2546WV-2X29P	71.12	73.66
A2546WV-2X10P	22.86	25.40	A2546WV-2X30P	73.66	76.20
A2546WV-2X11P	25.40	27.94	A2546WV-2X31P	76.20	78.74
A2546WV-2X12P	27.94	30.48	A2546WV-2X32P	78.74	81.28
A2546WV-2X13P	30.48	33.02	A2546WV-2X33P	81.28	83.82
A2546WV-2X14P	33.02	35.56	A2546WV-2X34P	83.82	86.36
A2546WV-2X15P	35.56	38.10	A2546WV-2X35P	86.36	88.90
A2546WV-2X16P	38.10	40.64	A2546WV-2X36P	88.90	91.44
A2546WV-2X17P	40.64	43.18	A2546WV-2X37P	91.44	93.98
A2546WV-2X18P	43.18	45.72	A2546WV-2X38P	93.98	96.52
A2546WV-2X19P	45.72	48.26	A2546WV-2X39P	96.52	99.06
A2546WV-2X20P	48.26	50.80	A2546WV-2X40P	99.06	101.60
A2546WV-2X21P	50.80	53.34			

Unit:mm



A2546 SERIES

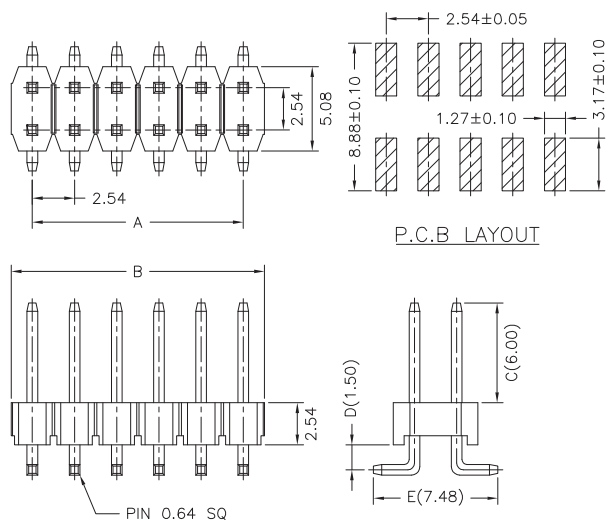
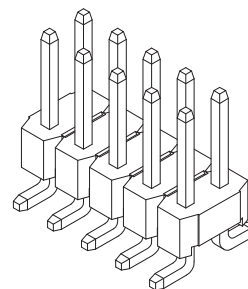
2.54mm pitch wire to board connector

A2546WV-S-2

—2.54mm pitch 180° Dual Row Pin Header - SMT TYPE—

Reference Informations:

- *Material: Pin: Brass/Gold-flash
Wafer: Nylon 6T,UL94V-0
- *Mates with A2546 series dual row Housing
- *Optional Dim. available but MOQ requested



Ordering Information & Dimensions:

PART NO.	Dimensions		PART NO.	Dimensions	
	A	B		A	B
A2546WV-S-2X02P	2.54	5.08	A2546WV-S-2X22P	53.34	55.88
A2546WV-S-2X03P	5.08	7.62	A2546WV-S-2X23P	55.88	58.42
A2546WV-S-2X04P	7.62	10.16	A2546WV-S-2X24P	58.42	60.96
A2546WV-S-2X05P	10.16	12.70	A2546WV-S-2X25P	60.96	63.50
A2546WV-S-2X06P	12.70	15.24	A2546WV-S-2X26P	63.50	66.04
A2546WV-S-2X07P	15.24	17.78	A2546WV-S-2X27P	66.04	68.58
A2546WV-S-2X08P	17.78	20.32	A2546WV-S-2X28P	68.58	71.12
A2546WV-S-2X09P	20.32	22.86	A2546WV-S-2X29P	71.12	73.66
A2546WV-S-2X10P	22.86	25.40	A2546WV-S-2X30P	73.66	76.20
A2546WV-S-2X11P	25.40	27.94	A2546WV-S-2X31P	76.20	78.74
A2546WV-S-2X12P	27.94	30.48	A2546WV-S-2X32P	78.74	81.28
A2546WV-S-2X13P	30.48	33.02	A2546WV-S-2X33P	81.28	83.82
A2546WV-S-2X14P	33.02	35.56	A2546WV-S-2X34P	83.82	86.36
A2546WV-S-2X15P	35.56	38.10	A2546WV-S-2X35P	86.36	88.90
A2546WV-S-2X16P	38.10	40.64	A2546WV-S-2X36P	88.90	91.44
A2546WV-S-2X17P	40.64	43.18	A2546WV-S-2X37P	91.44	93.98
A2546WV-S-2X18P	43.18	45.72	A2546WV-S-2X38P	93.98	96.52
A2546WV-S-2X19P	45.72	48.26	A2546WV-S-2X39P	96.52	99.06
A2546WV-S-2X20P	48.26	50.80	A2546WV-S-2X40P	99.06	101.60
A2546WV-S-2X21P	50.80	53.34			

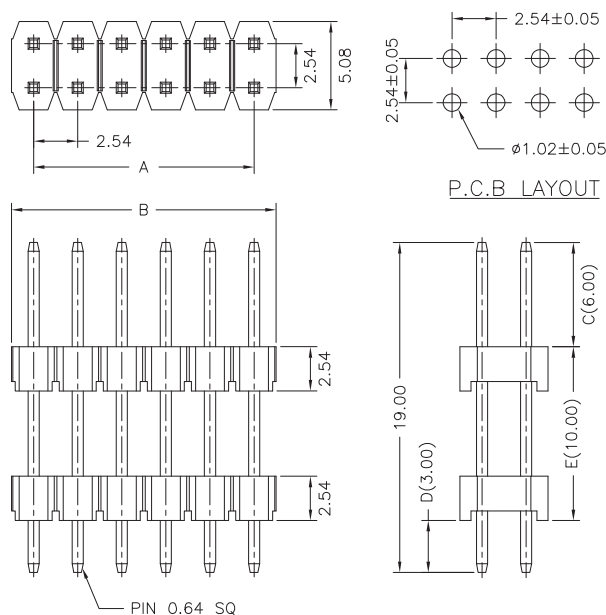
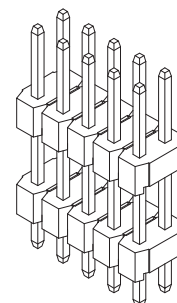
Unit:mm

A2546WVA-2

—2.54mm pitch 180° Dual Row Pin Header—

Reference Informations:

- *Material: Pin: Brass/Gold-flash
Wafer: PBT30%GF,UL94V-0
- *Optional Dim. available but MOQ requested
- *Nylon 6T or Nylon 66 is available



Ordering Information & Dimensions:

PART NO.	Dimensions		PART NO.	Dimensions	
	A	B		A	B
A2546WVA-2X02P	2.54	5.08	A2546WVA-2X22P	53.34	55.88
A2546WVA-2X03P	5.08	7.62	A2546WVA-2X23P	55.88	58.42
A2546WVA-2X04P	7.62	10.16	A2546WVA-2X24P	58.42	60.96
A2546WVA-2X05P	10.16	12.70	A2546WVA-2X25P	60.96	63.50
A2546WVA-2X06P	12.70	15.24	A2546WVA-2X26P	63.50	66.04
A2546WVA-2X07P	15.24	17.78	A2546WVA-2X27P	66.04	68.58
A2546WVA-2X08P	17.78	20.32	A2546WVA-2X28P	68.58	71.12
A2546WVA-2X09P	20.32	22.86	A2546WVA-2X29P	71.12	73.66
A2546WVA-2X10P	22.86	25.40	A2546WVA-2X30P	73.66	76.20
A2546WVA-2X11P	25.40	27.94	A2546WVA-2X31P	76.20	78.74
A2546WVA-2X12P	27.94	30.48	A2546WVA-2X32P	78.74	81.28
A2546WVA-2X13P	30.48	33.02	A2546WVA-2X33P	81.28	83.82
A2546WVA-2X14P	33.02	35.56	A2546WVA-2X34P	83.82	86.36
A2546WVA-2X15P	35.56	38.10	A2546WVA-2X35P	86.36	88.90
A2546WVA-2X16P	38.10	40.64	A2546WVA-2X36P	88.90	91.44
A2546WVA-2X17P	40.64	43.18	A2546WVA-2X37P	91.44	93.98
A2546WVA-2X18P	43.18	45.72	A2546WVA-2X38P	93.98	96.52
A2546WVA-2X19P	45.72	48.26	A2546WVA-2X39P	96.52	99.06
A2546WVA-2X20P	48.26	50.80	A2546WVA-2X40P	99.06	101.60
A2546WVA-2X21P	50.80	53.34			

Unit:mm

A
B
C
F
ST
HRJ
DC

A2546 SERIES

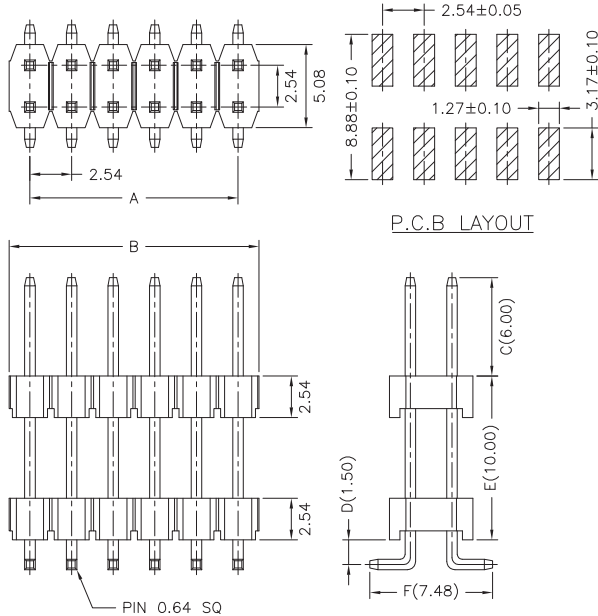
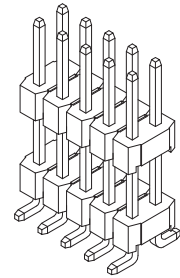
2.54mm pitch wire to board connector

A2546WVA-S-2

2.54mm pitch 180° Dual Row Pin Header - SMT TYPE

Reference Informations:

- *Material: Pin: Brass/Gold-flash
Wafer: Nylon 6T,UL94V-0
- *Optional Dim. available but MOQ requested



Ordering Information & Dimensions:

PART NO.	Dimensions		PART NO.	Dimensions	
	A	B		A	B
A2546WVA-S-2X02P	2.54	5.08	A2546WVA-S-2X22P	53.34	55.88
A2546WVA-S-2X03P	5.08	7.62	A2546WVA-S-2X23P	55.88	58.42
A2546WVA-S-2X04P	7.62	10.16	A2546WVA-S-2X24P	58.42	60.96
A2546WVA-S-2X05P	10.16	12.70	A2546WVA-S-2X25P	60.96	63.50
A2546WVA-S-2X06P	12.70	15.24	A2546WVA-S-2X26P	63.50	66.04
A2546WVA-S-2X07P	15.24	17.78	A2546WVA-S-2X27P	66.04	68.58
A2546WVA-S-2X08P	17.78	20.32	A2546WVA-S-2X28P	68.58	71.12
A2546WVA-S-2X09P	20.32	22.86	A2546WVA-S-2X29P	71.12	73.66
A2546WVA-S-2X10P	22.86	25.40	A2546WVA-S-2X30P	73.66	76.20
A2546WVA-S-2X11P	25.40	27.94	A2546WVA-S-2X31P	76.20	78.74
A2546WVA-S-2X12P	27.94	30.48	A2546WVA-S-2X32P	78.74	81.28
A2546WVA-S-2X13P	30.48	33.02	A2546WVA-S-2X33P	81.28	83.82
A2546WVA-S-2X14P	33.02	35.56	A2546WVA-S-2X34P	83.82	86.36
A2546WVA-S-2X15P	35.56	38.10	A2546WVA-S-2X35P	86.36	88.90
A2546WVA-S-2X16P	38.10	40.64	A2546WVA-S-2X36P	88.90	91.44
A2546WVA-S-2X17P	40.64	43.18	A2546WVA-S-2X37P	91.44	93.98
A2546WVA-S-2X18P	43.18	45.72	A2546WVA-S-2X38P	93.98	96.52
A2546WVA-S-2X19P	45.72	48.26	A2546WVA-S-2X39P	96.52	99.06
A2546WVA-S-2X20P	48.26	50.80	A2546WVA-S-2X40P	99.06	101.60
A2546WVA-S-2X21P	50.80	53.34			

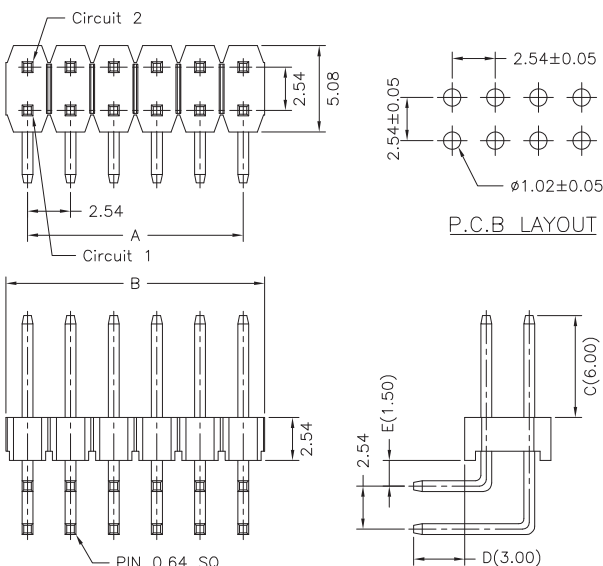
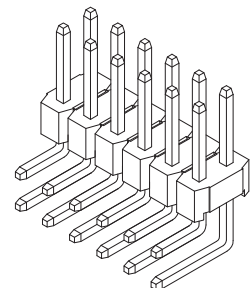
Unit:mm

A2546WR-2

2.54mm pitch 90° Dual Row Pin Header

Reference Informations:

- *Material: Pin: Brass/Gold-flash
Wafer: PBT30%GF,UL94V-0
- *Mates with A2546 series dual row Housing
- *Optional Dim. available but MOQ requested
- *Nylon 6T or Nylon 66 is available



Ordering Information & Dimensions:

PART NO.	Dimensions		PART NO.	Dimensions	
	A	B		A	B
A2546WR-2X02P	2.54	5.08	A2546WR-2X22P	53.34	55.88
A2546WR-2X03P	5.08	7.62	A2546WR-2X23P	55.88	58.42
A2546WR-2X04P	7.62	10.16	A2546WR-2X24P	58.42	60.96
A2546WR-2X05P	10.16	12.70	A2546WR-2X25P	60.96	63.50
A2546WR-2X06P	12.70	15.24	A2546WR-2X26P	63.50	66.04
A2546WR-2X07P	15.24	17.78	A2546WR-2X27P	66.04	68.58
A2546WR-2X08P	17.78	20.32	A2546WR-2X28P	68.58	71.12
A2546WR-2X09P	20.32	22.86	A2546WR-2X29P	71.12	73.66
A2546WR-2X10P	22.86	25.40	A2546WR-2X30P	73.66	76.20
A2546WR-2X11P	25.40	27.94	A2546WR-2X31P	76.20	78.74
A2546WR-2X12P	27.94	30.48	A2546WR-2X32P	78.74	81.28
A2546WR-2X13P	30.48	33.02	A2546WR-2X33P	81.28	83.82
A2546WR-2X14P	33.02	35.56	A2546WR-2X34P	83.82	86.36
A2546WR-2X15P	35.56	38.10	A2546WR-2X35P	86.36	88.90
A2546WR-2X16P	38.10	40.64	A2546WR-2X36P	88.90	91.44
A2546WR-2X17P	40.64	43.18	A2546WR-2X37P	91.44	93.98
A2546WR-2X18P	43.18	45.72	A2546WR-2X38P	93.98	96.52
A2546WR-2X19P	45.72	48.26	A2546WR-2X39P	96.52	99.06
A2546WR-2X20P	48.26	50.80	A2546WR-2X40P	99.06	101.60
A2546WR-2X21P	50.80	53.34			

Unit:mm

A2546 SERIES

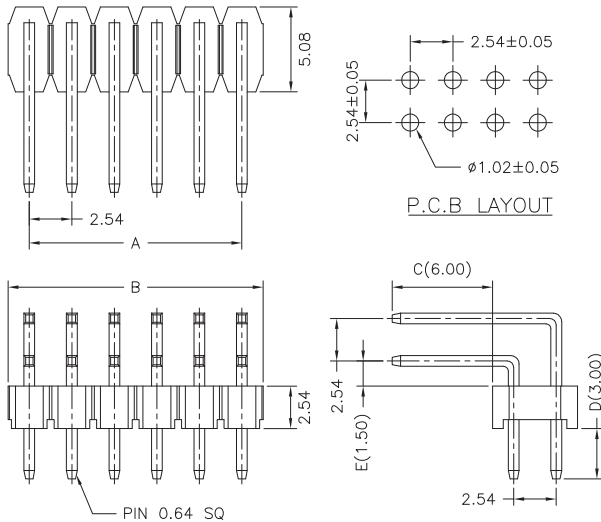
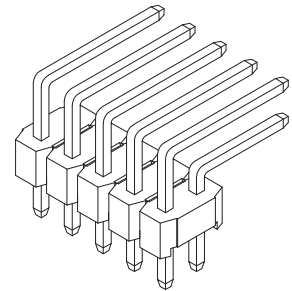
2.54mm pitch wire to board connector

A2546WRA-2

2.54mm pitch 90° Dual Row Pin Header

Reference Informations:

- *Material: Pin: Brass/Gold-flash
Wafer: PBT30%GF,UL94V-0
- *Mates with A2546 series dual row Housing
- *Optional Dim. available but MOQ requested
- *Nylon 6T or Nylon 66 is available



Ordering Information & Dimensions:

PART NO.	Dimensions		PART NO.	Dimensions	
	A	B		A	B
A2546WRA-2X02P	2.54	5.08	A2546WRA-2X22P	53.34	55.88
A2546WRA-2X03P	5.08	7.62	A2546WRA-2X23P	55.88	58.42
A2546WRA-2X04P	7.62	10.16	A2546WRA-2X24P	58.42	60.96
A2546WRA-2X05P	10.16	12.70	A2546WRA-2X25P	60.96	63.50
A2546WRA-2X06P	12.70	15.24	A2546WRA-2X26P	63.50	66.04
A2546WRA-2X07P	15.24	17.78	A2546WRA-2X27P	66.04	68.58
A2546WRA-2X08P	17.78	20.32	A2546WRA-2X28P	68.58	71.12
A2546WRA-2X09P	20.32	22.86	A2546WRA-2X29P	71.12	73.66
A2546WRA-2X10P	22.86	25.40	A2546WRA-2X30P	73.66	76.20
A2546WRA-2X11P	25.40	27.94	A2546WRA-2X31P	76.20	78.74
A2546WRA-2X12P	27.94	30.48	A2546WRA-2X32P	78.74	81.28
A2546WRA-2X13P	30.48	33.02	A2546WRA-2X33P	81.28	83.82
A2546WRA-2X14P	33.02	35.56	A2546WRA-2X34P	83.82	86.36
A2546WRA-2X15P	35.56	38.10	A2546WRA-2X35P	86.36	88.90
A2546WRA-2X16P	38.10	40.64	A2546WRA-2X36P	88.90	91.44
A2546WRA-2X17P	40.64	43.18	A2546WRA-2X37P	91.44	93.98
A2546WRA-2X18P	43.18	45.72	A2546WRA-2X38P	93.98	96.52
A2546WRA-2X19P	45.72	48.26	A2546WRA-2X39P	96.52	99.06
A2546WRA-2X20P	48.26	50.80	A2546WRA-2X40P	99.06	101.60
A2546WRA-2X21P	50.80	53.34			

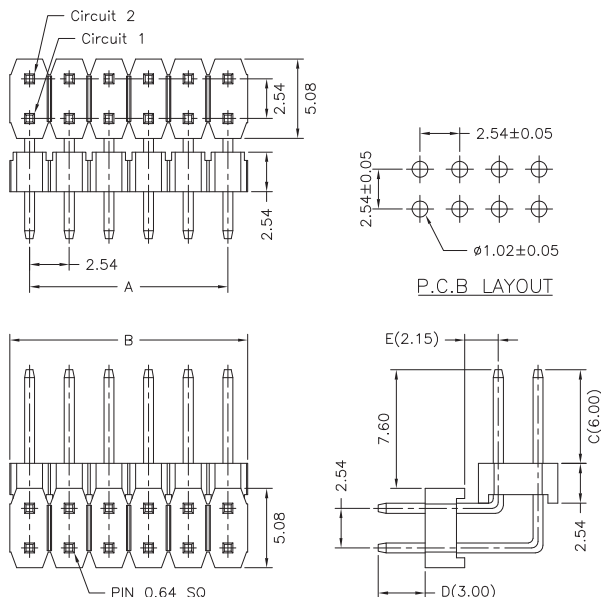
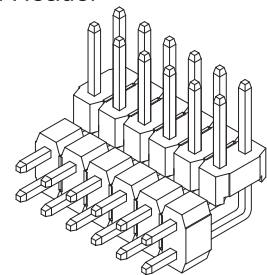
Unit:mm

A2546WRB-2

2.54mm pitch 90° Dual Row Pin Header

Reference Informations:

- *Material: Pin: Brass/Gold-flash
Wafer: PBT30%GF,UL94V-0
- *Mates with A2546 series dual row Housing
- *Optional Dim. available but MOQ requested
- *Nylon 6T or Nylon 66 is available

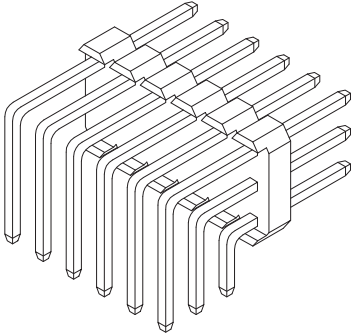
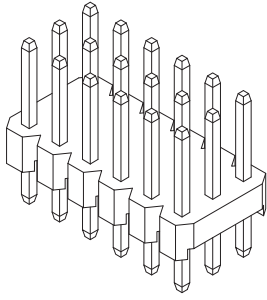


Ordering Information & Dimensions:

PART NO.	Dimensions		PART NO.	Dimensions	
	A	B		A	B
A2546WRB-2X02P	2.54	5.08	A2546WRB-2X22P	53.34	55.88
A2546WRB-2X03P	5.08	7.62	A2546WRB-2X23P	55.88	58.42
A2546WRB-2X04P	7.62	10.16	A2546WRB-2X24P	58.42	60.96
A2546WRB-2X05P	10.16	12.70	A2546WRB-2X25P	60.96	63.50
A2546WRB-2X06P	12.70	15.24	A2546WRB-2X26P	63.50	66.04
A2546WRB-2X07P	15.24	17.78	A2546WRB-2X27P	66.04	68.58
A2546WRB-2X08P	17.78	20.32	A2546WRB-2X28P	68.58	71.12
A2546WRB-2X09P	20.32	22.86	A2546WRB-2X29P	71.12	73.66
A2546WRB-2X10P	22.86	25.40	A2546WRB-2X30P	73.66	76.20
A2546WRB-2X11P	25.40	27.94	A2546WRB-2X31P	76.20	78.74
A2546WRB-2X12P	27.94	30.48	A2546WRB-2X32P	78.74	81.28
A2546WRB-2X13P	30.48	33.02	A2546WRB-2X33P	81.28	83.82
A2546WRB-2X14P	33.02	35.56	A2546WRB-2X34P	83.82	86.36
A2546WRB-2X15P	35.56	38.10	A2546WRB-2X35P	86.36	88.90
A2546WRB-2X16P	38.10	40.64	A2546WRB-2X36P	88.90	91.44
A2546WRB-2X17P	40.64	43.18	A2546WRB-2X37P	91.44	93.98
A2546WRB-2X18P	43.18	45.72	A2546WRB-2X38P	93.98	96.52
A2546WRB-2X19P	45.72	48.26	A2546WRB-2X39P	96.52	99.06
A2546WRB-2X20P	48.26	50.80	A2546WRB-2X40P	99.06	101.60
A2546WRB-2X21P	50.80	53.34			

Unit:mm

A
B
C
F
ST
HRJ
DC



Specifications

Current rating: 3A AC,DC
Voltage rating: 250V AC,DC
Temperature range: -25°C ~ +85°C
Contact resistance: 20mΩ Max.
Insulation resistance: 1000MΩ Min.
Withstanding voltage: 1500V AC/minute

Standards

Ordering code

① A2547 ② WV- ③ 3X ④ 05P

- ① Series No.
- ② Connector type: WV=Vertical, WR=Right angle
- ③ 3X=Triple row
- ④ No. of circuits

A2547 SERIES

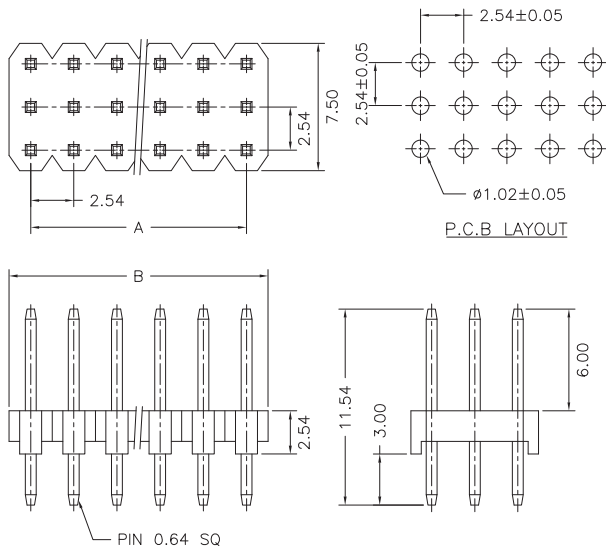
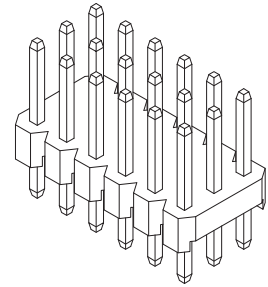
2.54mm pitch wire to board connector

A2547WV-3

— 2.54mm pitch 180° Triple Row Pin Header —

Reference Informations:

*Material: Pin: Brass/Gold-flash
Wafer: PBT30%GF,UL94V-0



Ordering Information & Dimensions:

PART NO.	Dimensions		PART NO.	Dimensions	
	A	B		A	B
A2547WV-3X02P	2.54	5.08	A2547WV-3X22P	53.34	55.88
A2547WV-3X03P	5.08	7.62	A2547WV-3X23P	55.88	58.42
A2547WV-3X04P	7.62	10.16	A2547WV-3X24P	58.42	60.96
A2547WV-3X05P	10.16	12.70	A2547WV-3X25P	60.96	63.50
A2547WV-3X06P	12.70	15.24	A2547WV-3X26P	63.50	66.04
A2547WV-3X07P	15.24	17.78	A2547WV-3X27P	66.04	68.58
A2547WV-3X08P	17.78	20.32	A2547WV-3X28P	68.58	71.12
A2547WV-3X09P	20.32	22.86	A2547WV-3X29P	71.12	73.66
A2547WV-3X10P	22.86	25.40	A2547WV-3X30P	73.66	76.20
A2547WV-3X11P	25.40	27.94	A2547WV-3X31P	76.20	78.74
A2547WV-3X12P	27.94	30.48	A2547WV-3X32P	78.74	81.28
A2547WV-3X13P	30.48	33.02	A2547WV-3X33P	81.28	83.82
A2547WV-3X14P	33.02	35.56	A2547WV-3X34P	83.82	86.36
A2547WV-3X15P	35.56	38.10	A2547WV-3X35P	86.36	88.90
A2547WV-3X16P	38.10	40.64	A2547WV-3X36P	88.90	91.44
A2547WV-3X17P	40.64	43.18	A2547WV-3X37P	91.44	93.98
A2547WV-3X18P	43.18	45.72	A2547WV-3X38P	93.98	96.52
A2547WV-3X19P	45.72	48.26	A2547WV-3X39P	96.52	99.06
A2547WV-3X20P	48.26	50.80	A2547WV-3X40P	99.06	101.60
A2547WV-3X21P	50.80	53.34			

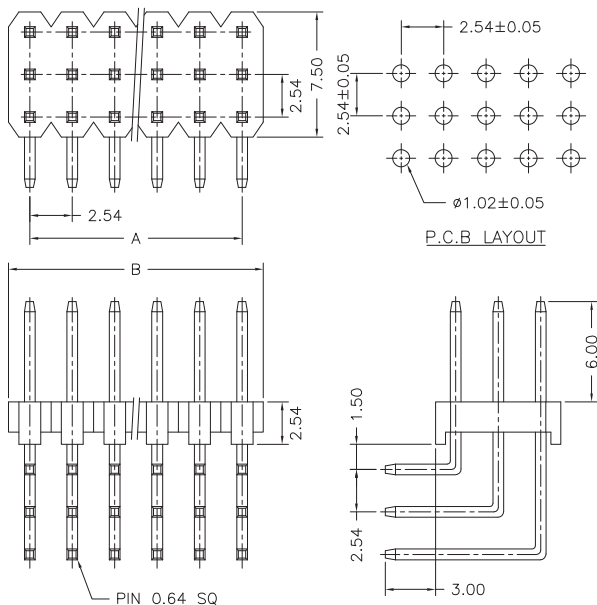
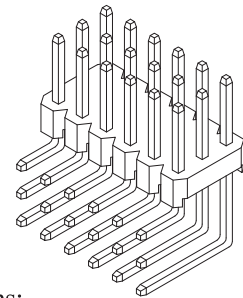
Unit:mm

A2547WR-3

— 2.54mm pitch 90° Triple Row Pin Header —

Reference Informations:

*Material: Pin: Brass/Gold-flash
Wafer: PBT30%GF,UL94V-0



Ordering Information & Dimensions:

PART NO.	Dimensions		PART NO.	Dimensions	
	A	B		A	B
A2547WR-3X02P	2.54	5.08	A2547WR-3X22P	53.34	55.88
A2547WR-3X03P	5.08	7.62	A2547WR-3X23P	55.88	58.42
A2547WR-3X04P	7.62	10.16	A2547WR-3X24P	58.42	60.96
A2547WR-3X05P	10.16	12.70	A2547WR-3X25P	60.96	63.50
A2547WR-3X06P	12.70	15.24	A2547WR-3X26P	63.50	66.04
A2547WR-3X07P	15.24	17.78	A2547WR-3X27P	66.04	68.58
A2547WR-3X08P	17.78	20.32	A2547WR-3X28P	68.58	71.12
A2547WR-3X09P	20.32	22.86	A2547WR-3X29P	71.12	73.66
A2547WR-3X10P	22.86	25.40	A2547WR-3X30P	73.66	76.20
A2547WR-3X11P	25.40	27.94	A2547WR-3X31P	76.20	78.74
A2547WR-3X12P	27.94	30.48	A2547WR-3X32P	78.74	81.28
A2547WR-3X13P	30.48	33.02	A2547WR-3X33P	81.28	83.82
A2547WR-3X14P	33.02	35.56	A2547WR-3X34P	83.82	86.36
A2547WR-3X15P	35.56	38.10	A2547WR-3X35P	86.36	88.90
A2547WR-3X16P	38.10	40.64	A2547WR-3X36P	88.90	91.44
A2547WR-3X17P	40.64	43.18	A2547WR-3X37P	91.44	93.98
A2547WR-3X18P	43.18	45.72	A2547WR-3X38P	93.98	96.52
A2547WR-3X19P	45.72	48.26	A2547WR-3X39P	96.52	99.06
A2547WR-3X20P	48.26	50.80	A2547WR-3X40P	99.06	101.60
A2547WR-3X21P	50.80	53.34			

Unit:mm

A

B

C

F

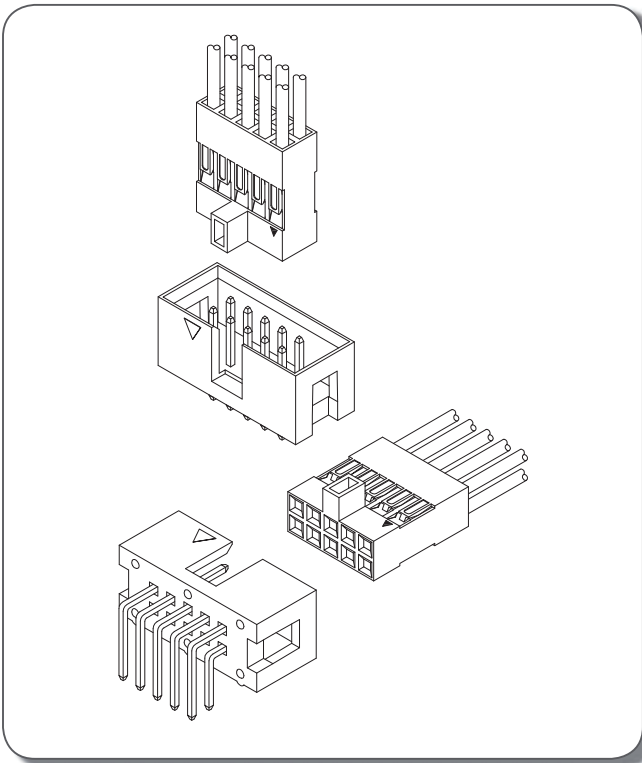
ST

HRJ

DC

*

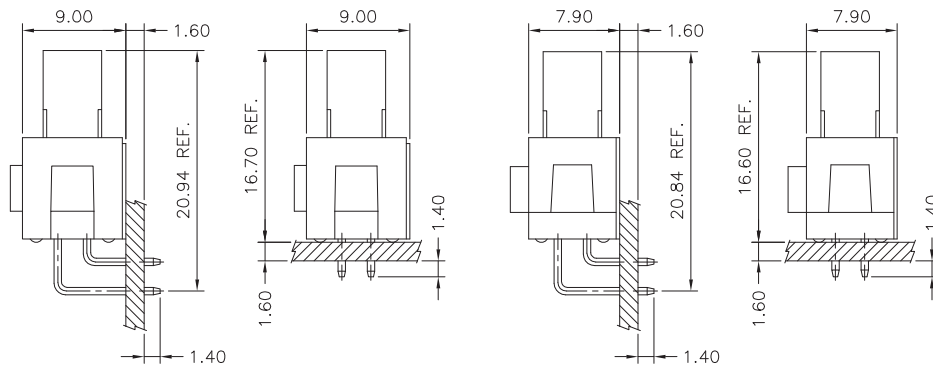
A
B
C
F
ST
HRJ
DC



Specifications

Current rating: 3A AC,DC
 Voltage rating: 250V AC,DC
 Temperature range: -25°C ~ +85°C
 Contact resistance: 20mΩ Max.
 Insulation resistance: 1000MΩ Min.
 Withstanding voltage: 1500V AC/minute

Assembly layout



Ordering code

① A2548 ② WV ③ A ④ 2X ⑤ 05P ⑥ 46

- ① Series No.
- ② Connector type: WV=Vertical, WR=Right angle
- ③ Blank=Normal type
A=A type
- ④ 2X=Dual row
- ⑤ No. of circuits
- ⑥ Option code:
46=Nylon 46,Black
6T=Nylon 6T, Black

A2548 SERIES

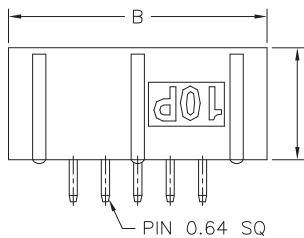
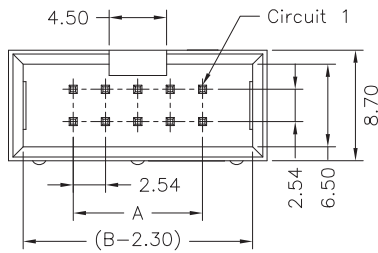
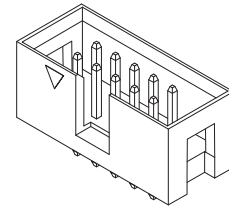
2.54mm pitch wire to board connector

A2548WV-2

2.54mm pitch 180° Box Header

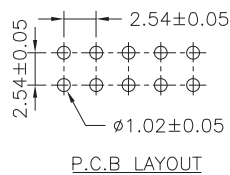
Reference Informations:

- *Material: Pin: Brass/Gold-flash
Wafer: PBT15%GF,UL94V-0
- *Mates with A2546 series dual row Housing
- *Nylon 46 or Nylon 6T is available



	A2548WV-2X05P	N	P	B	G1	N	00	G
		①	②	③	④	⑤	⑥	⑦

- ① N=Halogen Free
- ② Material: P=PBT, 6=Nylon 6T
- ③ Color: B=Black
- ④ Plating code: G1=Gold-flash
- ⑤ Plating code: N=Non-plating
- ⑥ Option code: 00=Standard
- ⑦ Packing code: G=Bag(2X03P~2X05P), B=Tray



Ordering Information & Dimensions:

PART NO.	Dimensions	
	A	B
A2548WV-2X03P	5.08	15.24
A2548WV-2X04P	7.62	17.78
A2548WV-2X05P	10.16	20.32
A2548WV-2X06P	12.70	22.86
A2548WV-2X07P	15.24	25.40
A2548WV-2X08P	17.78	27.94
A2548WV-2X10P	22.86	33.02
A2548WV-2X12P	27.94	38.10
A2548WV-2X13P	30.48	40.64
A2548WV-2X15P	35.56	45.72
A2548WV-2X17P	40.64	50.80
A2548WV-2X20P	48.26	58.42
A2548WV-2X22P	53.34	63.50
A2548WV-2X24P	58.42	68.58
A2548WV-2X25P	60.96	71.12
A2548WV-2X30P	73.66	83.82
A2548WV-2X32P	78.74	88.90

Unit:mm

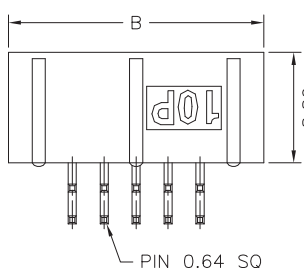
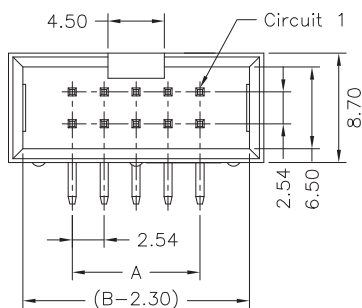
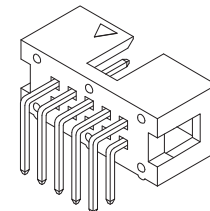
A
B
C
F
ST
HRJ
DC

A2548WR-2

2.54mm pitch 90° Box Header

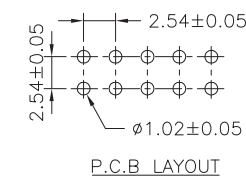
Reference Informations:

- *Material: Pin: Brass/Gold-flash
Wafer: PBT15%GF,UL94V-0
- *Mates with A2546 series dual row Housing
- *Nylon 46 or Nylon 6T is available



	A2548WR-2X05P	N	P	B	G1	N	00	G
		①	②	③	④	⑤	⑥	⑦

- ① N=Halogen Free
- ② Material: P=PBT, 6=Nylon 6T
- ③ Color: B=Black
- ④ Plating code: G1=Gold-flash
- ⑤ Plating code: N=Non-plating
- ⑥ Option code: 00=Standard
- ⑦ Packing code: G=Bag(2X03P~2X05P), B=Tray



Ordering Information & Dimensions:

PART NO.	Dimensions	
	A	B
A2548WR-2X03P	5.08	15.24
A2548WR-2X04P	7.62	17.78
A2548WR-2X05P	10.16	20.32
A2548WR-2X06P	12.70	22.86
A2548WR-2X07P	15.24	25.40
A2548WR-2X08P	17.78	27.94
A2548WR-2X10P	22.86	33.02
A2548WR-2X12P	27.94	38.10
A2548WR-2X13P	30.48	40.64
A2548WR-2X15P	35.56	45.72
A2548WR-2X17P	40.64	50.80
A2548WR-2X20P	48.26	58.42
A2548WR-2X22P	53.34	63.50
A2548WR-2X24P	58.42	68.58
A2548WR-2X25P	60.96	71.12
A2548WR-2X30P	73.66	83.82
A2548WR-2X32P	78.74	88.90

Unit:mm

A2548 SERIES

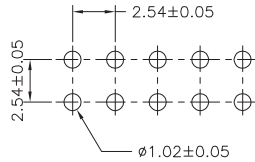
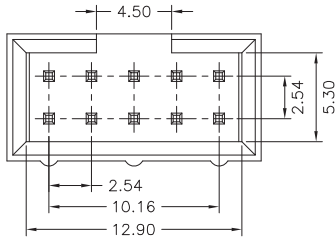
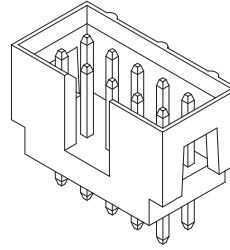
2.54mm pitch wire to board connector

A2548WVA-2X05P

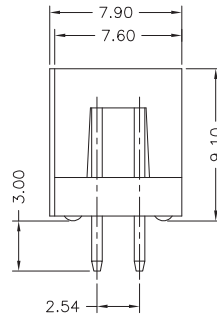
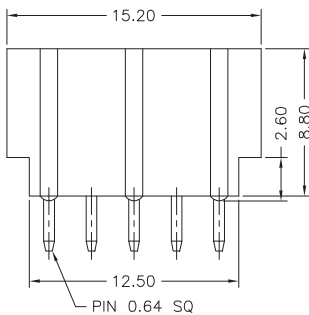
2.54mm pitch 180° Box Header

Reference Informations:

- *Material: Pin: Brass/Gold-flash
Wafer: PBT15%GF,UL94V-0
- *Mates with A2546 series dual row Housing
- *Nylon 46 or Nylon 6T is available



P.C.B. LAYOUT



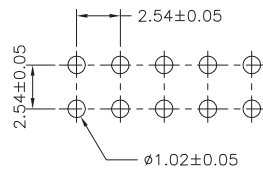
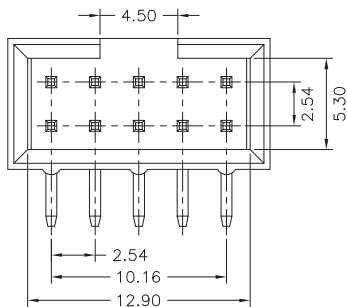
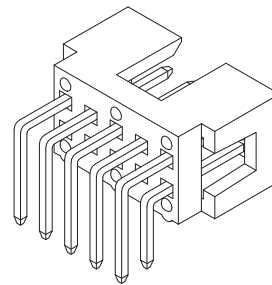
	A2548WVA-2X05P	N	P	B	G1	N	00	G
		①	②	③	④	⑤	⑥	⑦
①	N=Halogen Free							
②	Material: P=PBT, 6=Nylon 6T							
③	Color: B=Black							
④	Plating code: G1=Gold-flash							
⑤	Plating code: N=Non-plating							
⑥	Option code: 00=Standard							
⑦	Packing code: G=Bag							

A2548WRA-2X05P

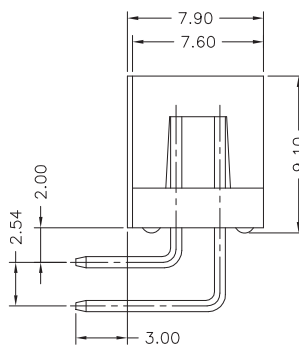
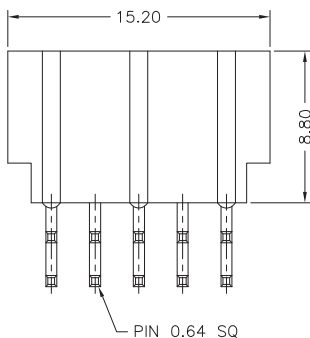
2.54mm pitch 90° Box Header

Reference Informations:

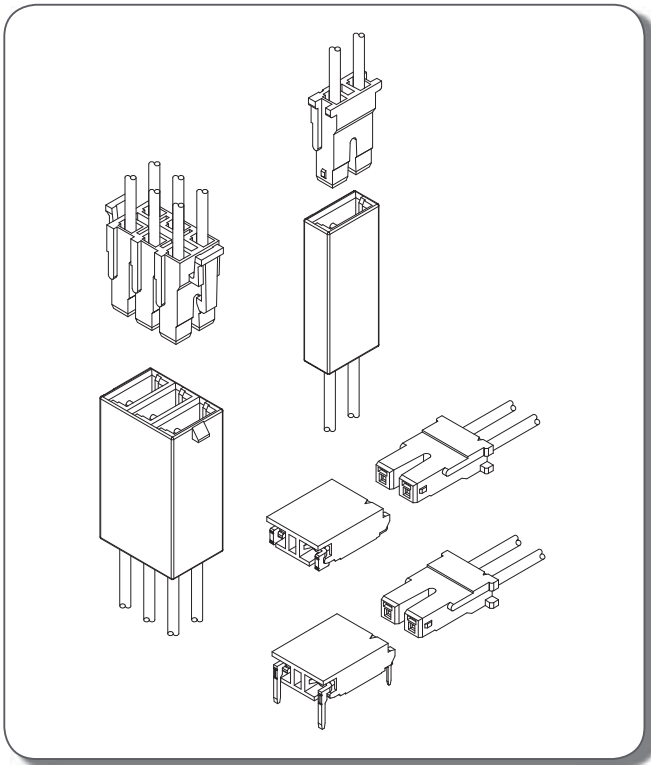
- *Material: Pin: Brass/Gold-flash
Wafer: PBT15%GF,UL94V-0
- *Mates with A2546 series dual row Housing
- *Nylon 46 or Nylon 6T is available



P.C.B. LAYOUT



	A2548WRA-2X05P	N	P	B	G1	N	00	G
		①	②	③	④	⑤	⑥	⑦
①	N=Halogen Free							
②	Material: P=PBT, 6=Nylon 6T							
③	Color: B=Black							
④	Plating code: G1=Gold-flash							
⑤	Plating code: N=Non-plating							
⑥	Option code: 00=Standard							
⑦	Packing code: G=Bag							



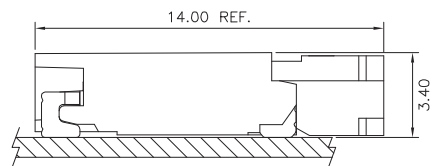
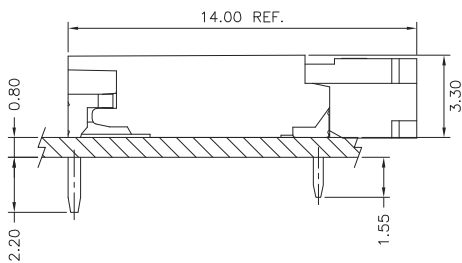
Specifications

Current rating: 1A AC,DC
 Voltage rating: 1400V AC,DC
 Temperature range: -25°C ~ +85°C
 Contact resistance: 10mΩ Max.
 Insulation resistance: 1000MΩ Min.
 Withstanding voltage: 3800V AC/minute

A
B
C
F
ST
HRJ
DC

Standards

Assembly layout



Ordering code

① ② ③ ④ ⑤ ⑥
A3500 M-T P E -1

- ① Series No.
- ② Terminal type: Blank=Female, M=Male
- ③ Plating code: T=Tin-plated
- ④ Material: P=Phosphor bronze
- ⑤ E=Stamping before plating
- ⑥ Option code: -1=Type 1

① ② ③ ④ ⑤
A3500 H M- 2X 03P

- ① Series No.
- ② H=Housing
- ③ Blank=Receptacle, M=Plug
- ④ Blank=Single row, 2X=Dual row
- ⑤ No. of circuits

① ② ③ ④ ⑤
A3500 WR -S-02P D01

- ① Series No.
- ② Connector type: WR=Right angle
- ③ Mounting type: Blank=Through hole
-S=SMT
- ④ No. of circuits
- ⑤ Option code:
D01=Gold-flash, Taping reel(SMT type only)

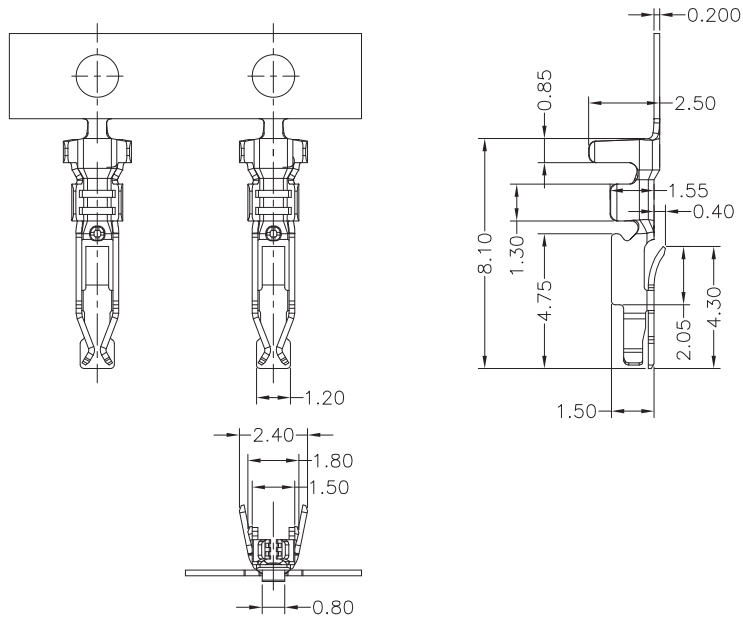
A3500 SERIES

3.50mm pitch wire to board and wire to wire connector

A3500-T — 3.50mm pitch Crimp Terminal

Reference Informations:

*Used in A3500H series Housing



Ordering Information & Specifications:

Unit:mm

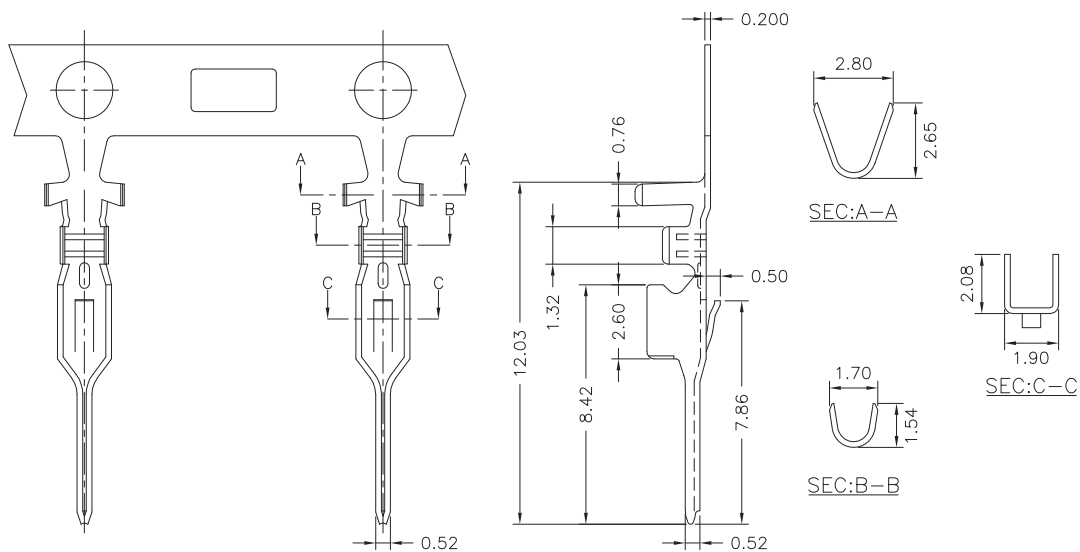
Part No.	Wire Range	Insulation O.D.	Material	Finish	Qty/reel
A3500-TPE	AWG#24-#28	1.60mm(max)	Phosphor Bronze	Tin-plated	10,000pcs

Note:E-Stamping before Tin-plated

A3500M-T — 3.50mm pitch Crimp Terminal

Reference Informations:

*Used in A3500HM series Housing



Ordering Information & Specifications:

Unit:mm

Part No.	Wire Range	Insulation O.D.	Material	Finish	Qty/reel
A3500M-TPE	AWG#24-#28	1.80mm(max)	Phosphor Bronze	Tin-plated	5,000pcs

Note:E-Stamping before Tin-plated

A3500 SERIES

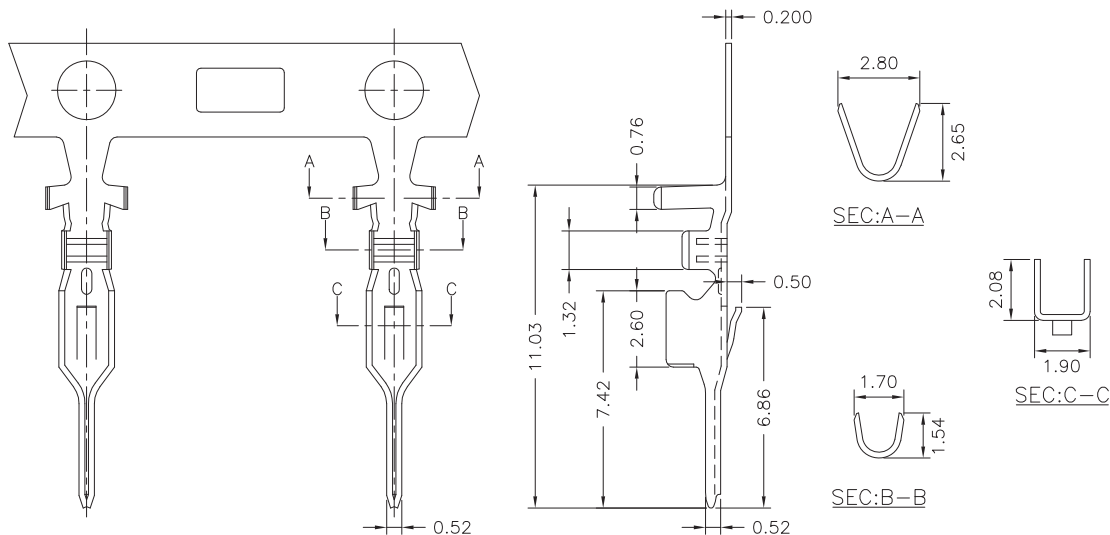
3.50mm pitch wire to board and wire to wire connector

A3500M-T

3.50mm pitch Crimp Terminal

Reference Informations:

*Used in A3500HM series Housing



A
B
C
F
ST
HRJ
DC

Ordering Information & Specifications:

Unit:mm

Part No.	Wire Range	Insulation O.D.	Material	Finish	Qty/reel
A3500M-TPE-1	AWG#24-#28	1.80mm(max)	Phosphor Bronze	Tin-plated	5,000pcs

Note:E-Stamping before Tin-plated

A3500H-02P

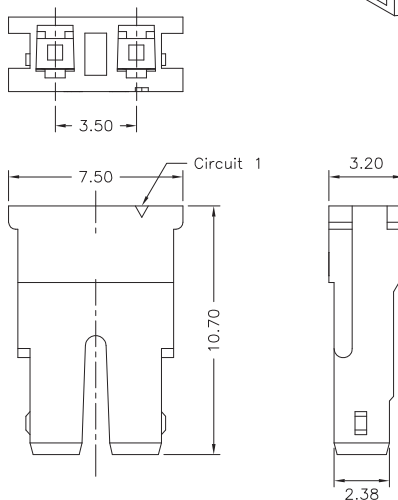
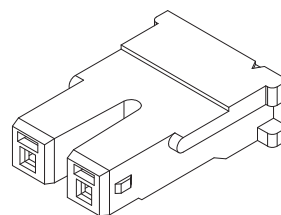
3.50mm pitch Housing

Reference Informations:

*Material: Nylon 66,UL94V-0

*Suitable A3500 series Terminal

*Mates with A3500HM series Housing
or A3500 series Wafer



	A3500H-02P	N	0	W	NP	N	00	G
		①	②	③	④	⑤	⑥	⑦

① N=Halogen Free
 ② Material: 0=Nylon 66-V0
 ③ Color: W=White
 ④ Plating code: NP=Non-plating
 ⑤ Plating code: N=Non-plating
 ⑥ Option code: 00=Standard
 ⑦ Packing code: G=Bag

A3500 SERIES

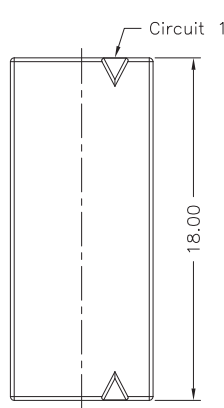
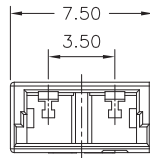
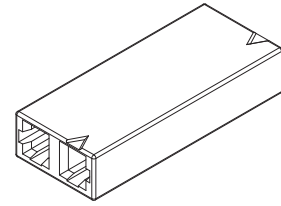
3.50mm pitch wire to board and wire to wire connector

A3500HM-02P

3.50mm pitch Housing

Reference Informations:

- *Material: Nylon 66,UL94V-0
- *Suitable A3500M series Terminal
- *Mates with A3500H series Housing



	A3500HM-02P	N	0	W	NP	N	00	G
		①	②	③	④	⑤	⑥	⑦
	① N=Halogen Free							
	② Material: 0=Nylon 66-V0							
	③ Color: W=White							
	④ Plating code: NP=Non-plating							
	⑤ Plating code: N=Non-plating							
	⑥ Option code: 00=Standard							
	⑦ Packing code: G=Bag							

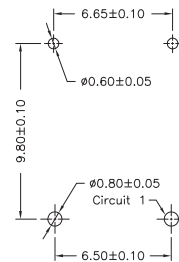
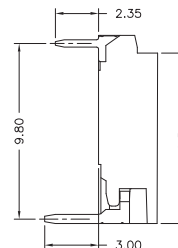
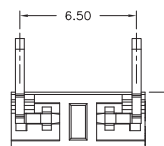
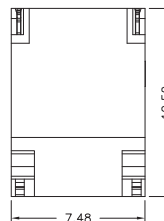
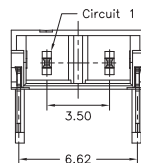
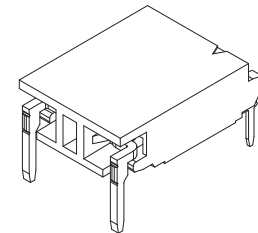
A
B
C
F
ST
HRJ
DC

A3500WR-02P

3.50mm pitch 90° Wafer

Reference Informations:

- *Material: Pin: Brass/Tin-plated
- Solder Pin: Brass/Tin-plated
- Wafer: Nylon 6T,UL94V-0
- *Mates with A3500H series Housing



P.C.B LAYOUT

	A3500WR-02P	N	6	B	T1	T	00	T
		①	②	③	④	⑤	⑥	⑦
	① N=Halogen Free							
	② Material: 6=Nylon 6T							
	③ Color: B=Black							
	④ Plating code: T1=Tin-plated							
	⑤ Plating code: T=Tin-plated							
	⑥ Option code: 00=Standard							
	⑦ Packing code: T=Tube							

A3500 SERIES

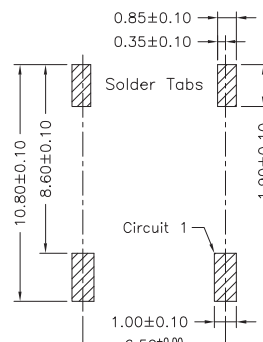
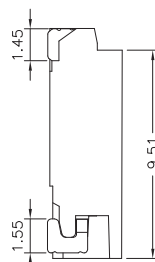
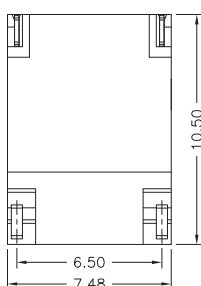
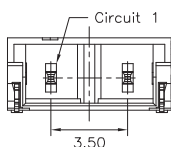
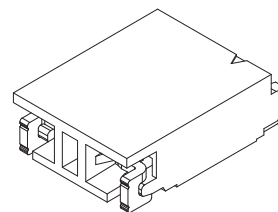
3.50mm pitch wire to board and wire to wire connector

A3500WR-S-02P

3.50mm pitch 90° Wafer - SMT TYPE

Reference Informations:

- *Material: Pin: Brass/Tin-plated
Solder Tabs: Brass/Tin-plated
Wafer: Nylon 6T,UL94V-0
- *Mates with A3500H series Housing



P.C.B. LAYOUT

	A3500WR-S-02P	N	6	B	T1	T	00	R
		①	②	③	④	⑤	⑥	⑦
①	N=Halogen Free							
②	Material: 6=Nylon 6T							
③	Color: B=Black							
④	Plating code: T1=Tin-plated, G1=Gold-flash							
⑤	Plating code: T=Tin-plated, G=Gold-flash							
⑥	Option code: 00=Standard							
⑦	Packing code: R=Tape & Reel							

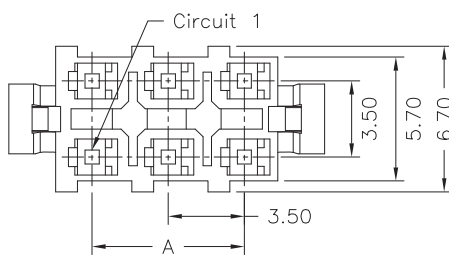
A
B
C
F
ST
HRJ
DC

A3500H-2

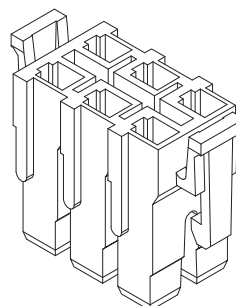
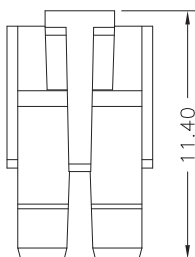
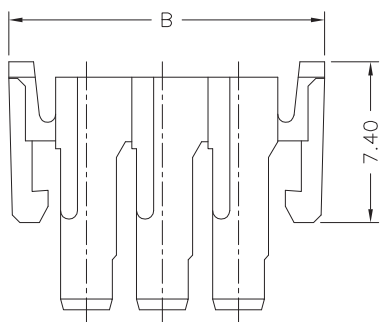
3.50mm pitch Dual Row Housing

Reference Informations:

- *Material: Nylon 66,UL94V-0
- *Suitable A3500 series Terminal
- *Mates with A3500HM series dual row Housing



	A3500H-2X03P	N	0	W	NP	N	00	G
		①	②	③	④	⑤	⑥	⑦
①	N=Halogen Free							
②	Material: 0=Nylon 66-V0							
③	Color: W=White							
④	Plating code: NP=Non-plating							
⑤	Plating code: N=Non-plating							
⑥	Option code: 00=Standard							
⑦	Packing code: G=Bag							



Ordering Information & Dimensions:

PART NO.	Dimensions	
	A	B
A3500H-2X03P	7.00	14.50
A3500H-2X06P	17.50	25.00

Unit:mm

A3500 SERIES

3.50mm pitch wire to board and wire to wire connector

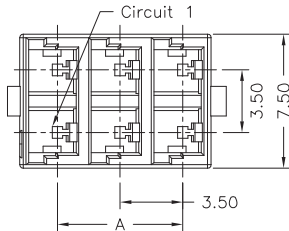
A3500HM-2

3.50mm pitch Dual Row Housing

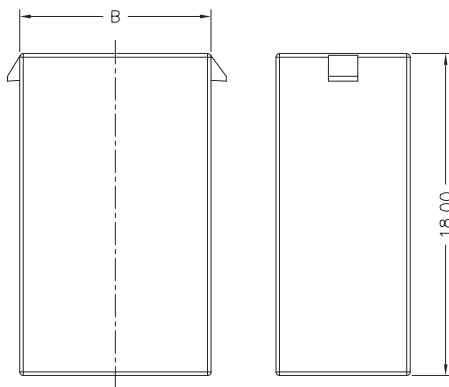
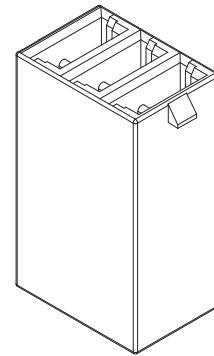
Reference Informations:

- *Material: Nylon 66,UL94V-0
- *Suitable A3500M series Terminal
- *Mates with A3500H series dual row Housing

A
B
C
F
ST
HRJ
DC



	A3500HM-2X03P						
	N	0	W	NP	N	00	G
	①	②	③	④	⑤	⑥	⑦
① N=Halogen Free ② Material: 0=Nylon 66-V0 ③ Color: W=White ④ Plating code: NP=Non-plating ⑤ Plating code: N=Non-plating ⑥ Option code: 00=Standard ⑦ Packing code: G=Bag							



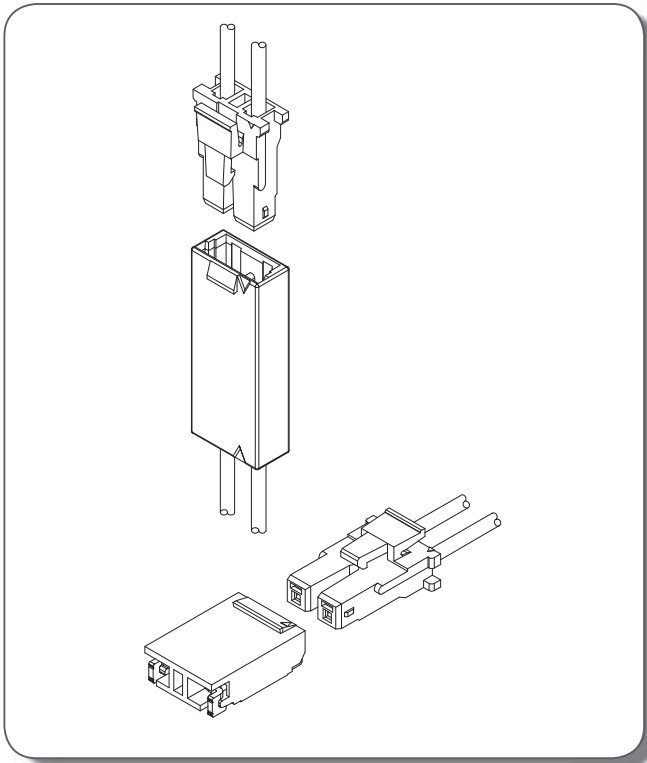
Ordering Information & Dimensions:

PART NO.	Dimensions	
	A	B
A3500HM-2X03P	7.00	10.70
A3500HM-2X06P	17.50	21.20

Unit:mm

A3501 SERIES

3.50mm pitch wire to board and wire to wire connector

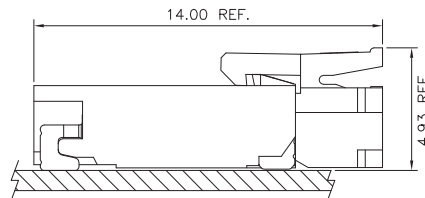


Specifications

Current rating: 1A AC,DC
Voltage rating: 1400V AC,DC
Temperature range: -25°C ~ +85°C
Contact resistance: 10mΩ Max.
Insulation resistance: 1000MΩ Min.
Withstanding voltage: 3800V AC/minute

A
B
C
F
ST
HRJ
DC

Assembly layout



Ordering code

① A3501 ② H ③ M-02P ④ -GY

- ① Series No.
- ② H=Housing
- ③ Blank=Receptacle, M=Plug
- ④ No. of circuits
- ⑤ Option code:
-GY=Gray

① A3501 ② WR-S-02P ⑤ D01

- ① Series No.
- ② Connector type: WR=Right angle
- ③ Mounting type: S=SMT
- ④ No. of circuits
- ⑤ Option code:
D01=Gold-flash, Taping reel

A3501 SERIES

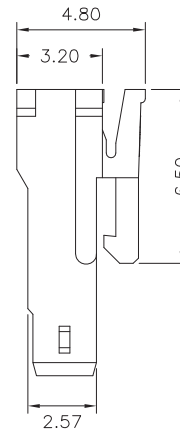
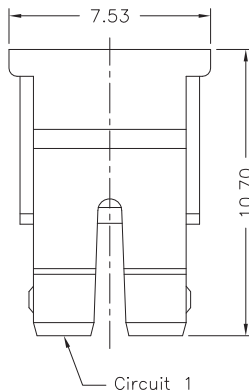
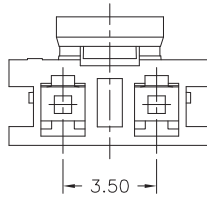
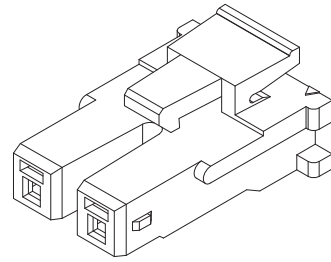
3.50mm pitch wire to board and wire to wire connector

A3501H-02P

3.50mm pitch Housing

Reference Informations:

- *Material: Nylon 66,UL94V-0
- *Suitable A3500 series Terminal
- *Mates with A3501 series Wafer



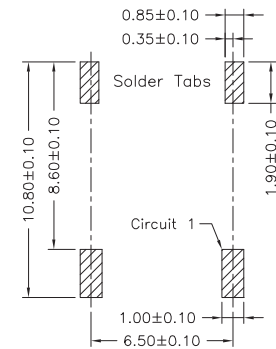
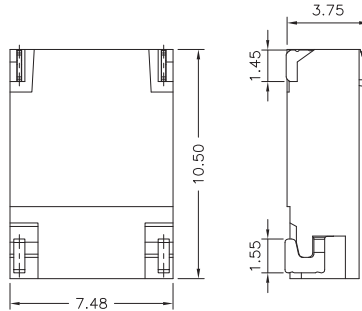
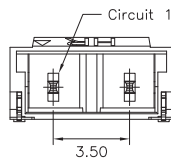
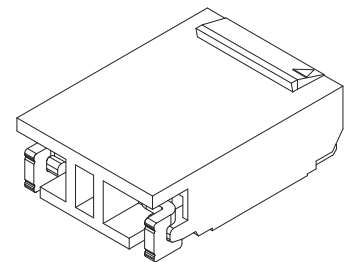
	A3501H-02P	N	0	W	NP	N	00	G	
		①	②	③	④	⑤	⑥	⑦	
①	N=Halogen Free								
②	Material: 0=Nylon 66-V0								
③	Color: W=White								
④	Plating code: NP=Non-plating								
⑤	Plating code: N=Non-plating								
⑥	Option code: 00=Standard								
⑦	Packing code: G=Bag								

A3501WR-S-02P

3.50mm pitch 90° Wafer - SMT TYPE

Reference Informations:

- *Material: Pin: Brass/Tin-plated
Solder Tabs: Brass/Tin-plated
Wafer: Nylon 6T,UL94V-0
- *Mates with A3501H series Housing



	A3501WR-S-02P	N	6	B	T1	T	00	R	
		①	②	③	④	⑤	⑥	⑦	
①	N=Halogen Free								
②	Material: 6=Nylon 6T								
③	Color: B=Black								
④	Plating code: T1=Tin-plated, G1=Gold-flash								
⑤	Plating code: T=Tin-plated, G=Gold-flash								
⑥	Option code: 00=Standard								
⑦	Packing code: R=Tape & Reel								



A3501 SERIES

3.50mm pitch wire to board and wire to wire connector

A3501HM-02P

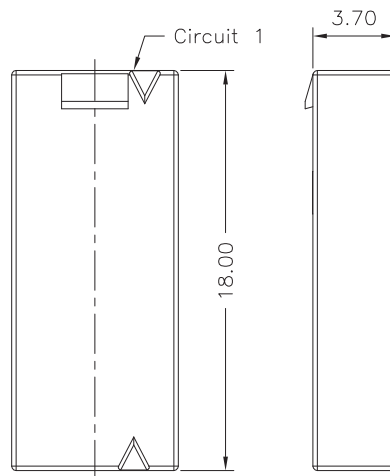
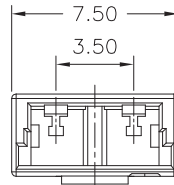
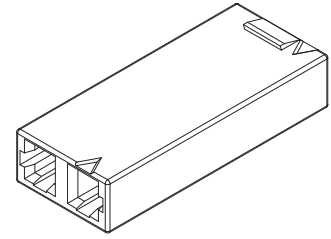
3.50mm pitch Housing

Reference Informations:

*Material: Nylon 66,UL94V-0

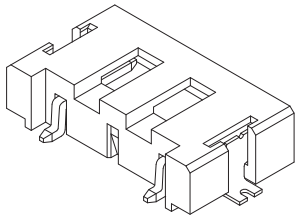
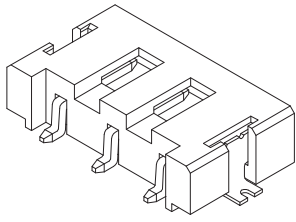
*Suitable A3500M series Terminal

*Mates with A3501H series Housing



	A3501HM-02P	N	0	W	NP	N	00	G
		①	②	③	④	⑤	⑥	⑦
		① N=Halogen Free						
		② Material: 0=Nylon 66-V0						
		③ Color: W=White						
		④ Plating code: NP=Non-plating						
		⑤ Plating code: N=Non-plating						
		⑥ Option code: 00=Standard						
		⑦ Packing code: G=Bag						

A
B
C
F
ST
HRJ
DC



Specifications

Current rating: 1A AC,DC
Voltage rating: 1400V AC,DC
Temperature range: -25°C ~ +85°C
Contact resistance: 20mΩ Max.
Insulation resistance: 1000MΩ Min.
Withstanding voltage: 3800V AC/minute

Ordering code

① ② ③ ④ ⑤
A3800 WR-SF-03P D01

- ① Series No.
- ② Connector type: WR=Right angle
- ③ Mounting type: SF=SMT with boss
- ④ No. of circuits
- ⑤ Option code:
 - D01=Gold-flash, Taping reel
 - DQ2=Gold-flash, Taping reel, Cut #2-pin

A3800 SERIES

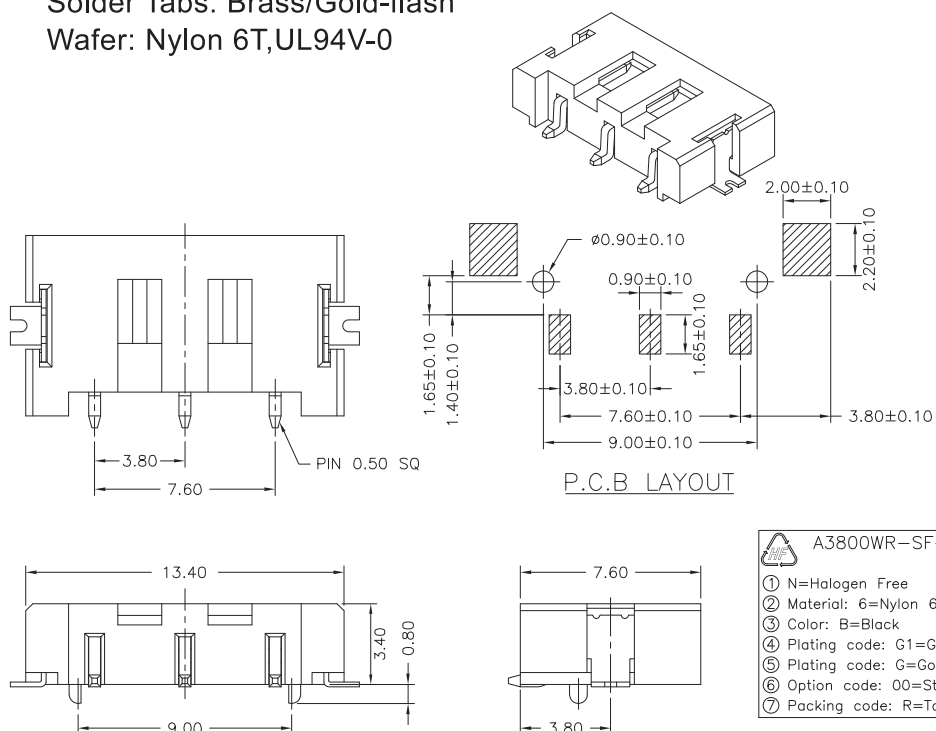
3.80mm pitch wire to board connector

A3800WR-SF-03PD01

3.80mm pitch 90° Wafer - SMT TYPE

Reference Informations:

*Material: Pin: Brass/Gold-flash
Solder Tabs: Brass/Gold-flash
Wafer: Nylon 6T,UL94V-0



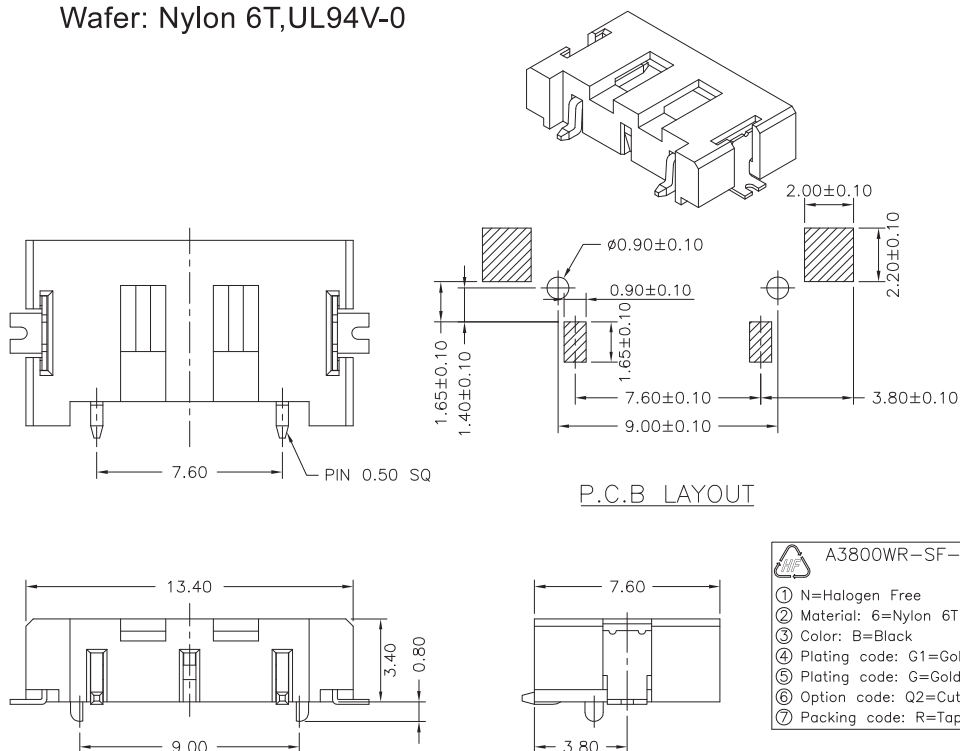
A
B
C
F
ST
HRJ
DC

A3800WR-SF-03PDQ2

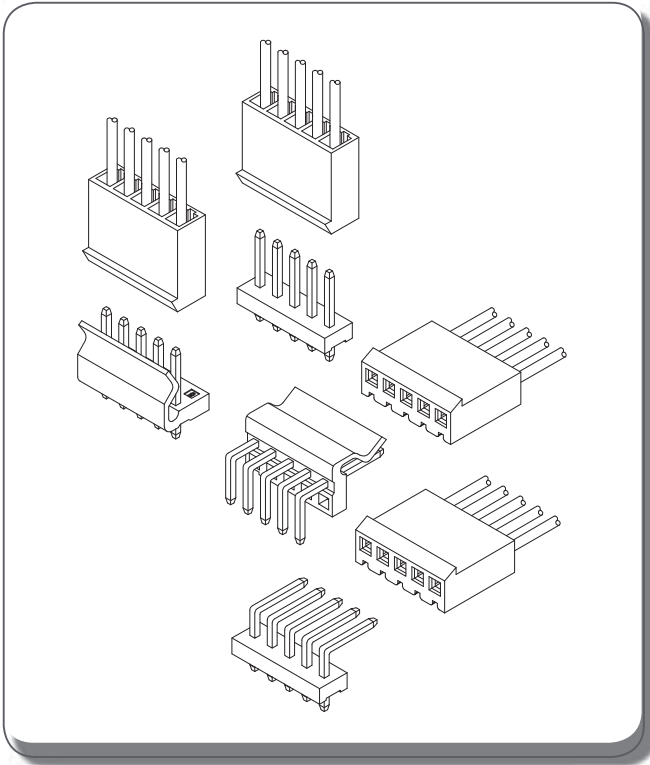
3.80mm pitch 90° Wafer - SMT TYPE

Reference Informations:

*Material: Pin: Brass/Gold-flash
Solder Tabs: Brass/Gold-flash
Wafer: Nylon 6T,UL94V-0



A
B
C
F
ST
HRJ
DC



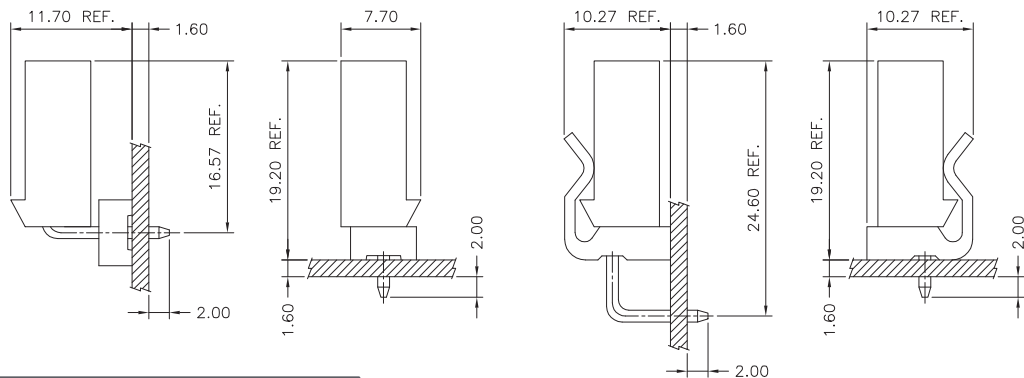
Specifications

Current rating: 7A AC,DC
 Voltage rating: 250V AC,DC
 Temperature range: -25°C ~ +85°C
 Contact resistance: 10mΩ Max.
 Insulation resistance: 1000MΩ Min.
 Withstanding voltage: 1500V AC/minute

Standards



Assembly layout



Ordering code

① ② ③ ④ ⑤
A3960-T B E -S1

- ① Series No.
- ② Plating code: T=Tin-plated, G=Gold-flash
- ③ Material: B=Brass
- ④ E=Stamping before plating
- ⑤ Option code: (Refer to drawings)

① ② ③ ④
A3960 H-05P-1

- ① Series No.
- ② H=Housing
- ③ No. of circuits
- ④ Option code:
 1=Type 1; 2=Type 2
 1V0=UL94V-0, Type 1; 2V0=UL94V-0, Type 2

① ② ③ ④ ⑤
A3960 WV A-05P R

- ① Series No.
- ② Connector type: WV=Vertical, WR=Right angle
- ③ Blank=With locking ramp
 A=Without locking ramp
- ④ No. of circuits
- ⑤ Option code:
 R=Round pin(Vertical type only)
 V0=UL94V-0, White
 BK=UL94V-2, Black
 46G=Nylon 46, Gold-flash

A3960 SERIES

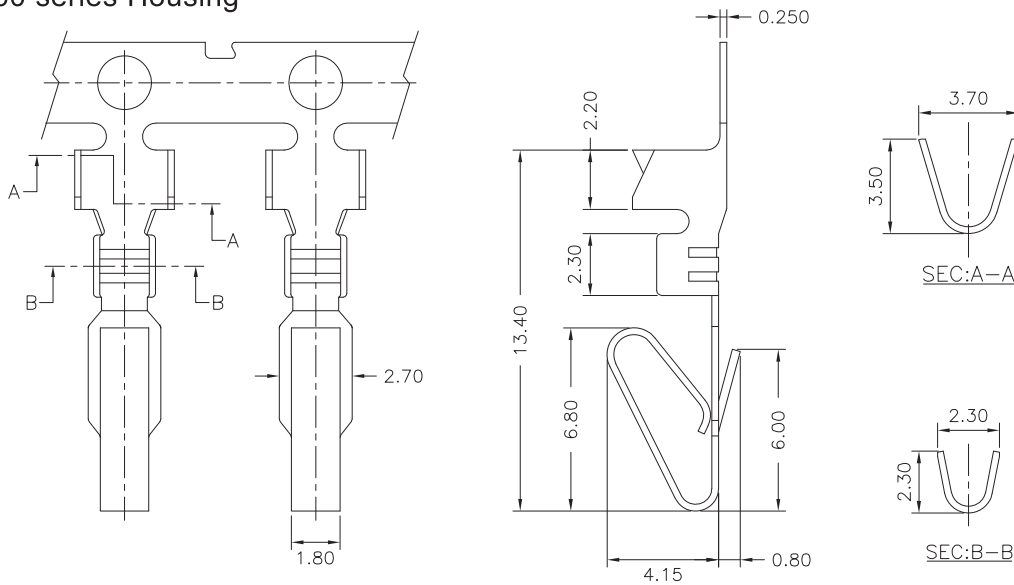
3.96mm pitch wire to board connector

A3960-T

3.96mm pitch Crimp Terminal

Reference Informations:

*Used in A3960 series Housing



A
B
C
F
ST
HRJ
DC

Ordering Information & Specifications:

Unit:mm

Part No.	Wire Range	Insulation O.D.	Material	Finish	Qty/reel
A3960-TBE	AWG#18-#24	2.80mm(max)	Brass	Tin-plated	6,000pcs
A3960-GBE	AWG#18-#24	2.80mm(max)	Brass	Gold-flash	6,000pcs

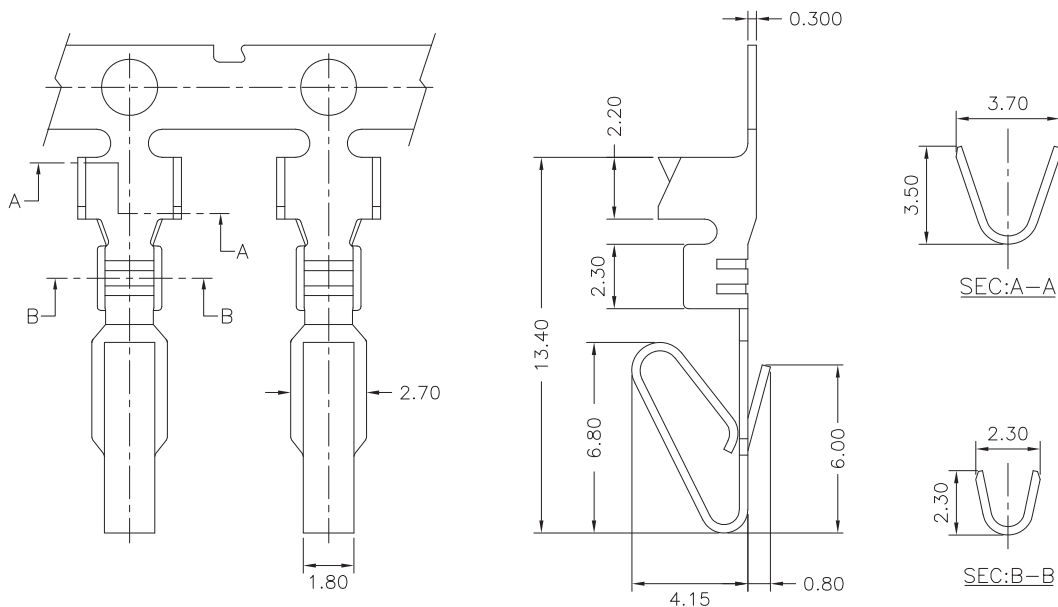
Note:E-Stamping before Tin-plated or Gold-flash

A3960-T

3.96mm pitch Crimp Terminal

Reference Informations:

*Used in A3960 series Housing



Ordering Information & Specifications:

Unit:mm

Part No.	Wire Range	Insulation O.D.	Material	Finish	Qty/reel
A3960-TBE-S1	AWG#18-#24	2.80mm(max)	Brass	Tin-plated	6,000pcs

Note:E-Stamping before Tin-plated

A3960 SERIES

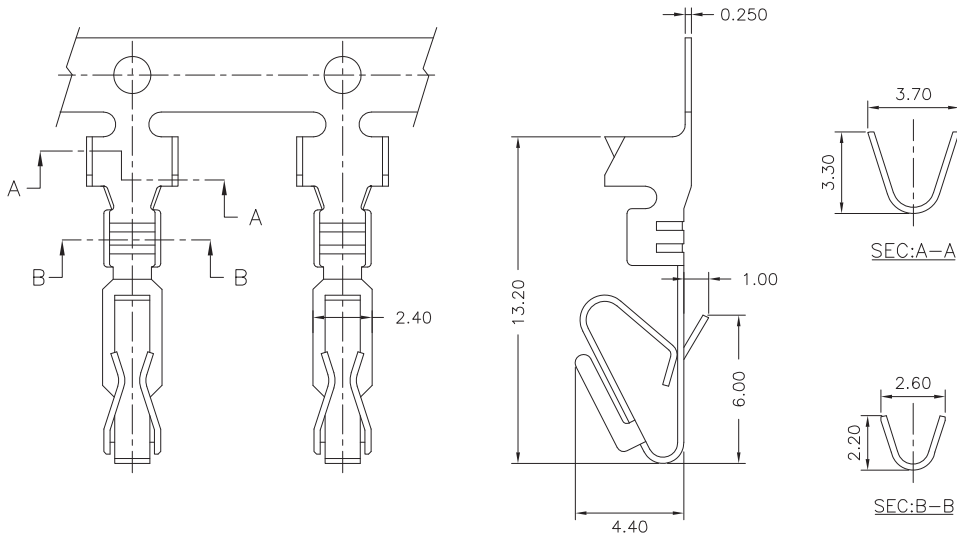
3.96mm pitch wire to board connector

A3960-T

3.96mm pitch Crimp Terminal

Reference Informations:

*Used in A3960 series Housing



Ordering Information & Specifications:

Unit:mm

Part No.	Wire Range	Insulation O.D.	Material	Finish	Qty/reel
A3960-TBE-1	AWG#18-#24	2.80mm(max)	Brass	Tin-plated	6,000pcs

Note:E-Stamping before Tin-plated

A3960H

3.96mm pitch Housing

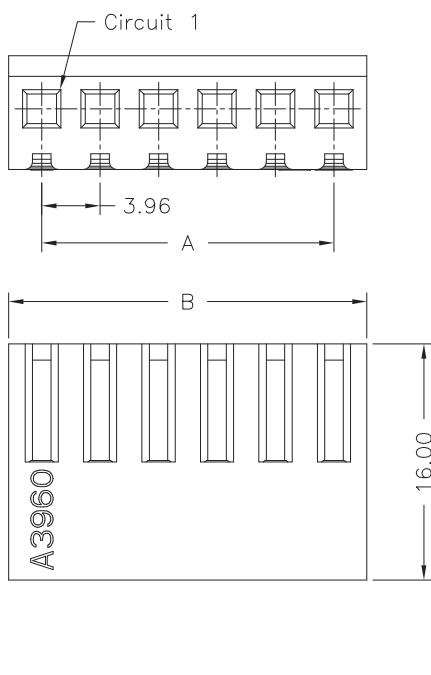
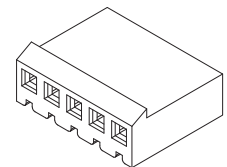
Reference Informations:

*Material: Nylon 66,UL94V-2

*Suitable A3960 series Terminal

*Mates with A3960 or A7920 series Wafer

A3960H-05P		N	2	N	NP	N	10	G
		①	②	③	④	⑤	⑥	⑦
① N=Halogen Free								
② Material: 2=Nylon 66-V2								
③ Color: N=Natural(Translucent)								
④ Plating code: NP=Non-plating								
⑤ Plating code: N=Non-plating								
⑥ Option code: 10=With ramp, 20=Without ramp								
⑦ Packing code: G=Bag								



Ordering Information:

A3960H-XP-*

1.Part No.
2.Style:
1-Type 1
2-Type 2

Ordering Information & Dimensions:

PART NO.	Dimensions	
	A	B
A3960H-02P	3.96	8.43
A3960H-03P	7.92	12.39
A3960H-04P	11.88	16.35
A3960H-05P	15.84	20.31
A3960H-06P	19.80	24.27
A3960H-07P	23.76	28.23
A3960H-08P	27.72	32.19
A3960H-09P	31.68	36.15
A3960H-10P	35.64	40.11
A3960H-11P	39.60	44.07
A3960H-12P	43.56	48.03
A3960H-13P	47.52	51.99
A3960H-14P	51.48	55.95
A3960H-15P	55.44	59.91
A3960H-16P	59.40	63.87
A3960H-17P	63.36	67.83
A3960H-18P	67.32	71.79
A3960H-19P	71.28	75.75
A3960H-20P	75.24	79.71

Unit:mm

A3960 SERIES

3.96mm pitch wire to board connector

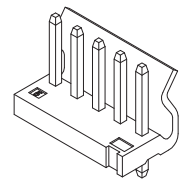
A3960WV

3.96mm pitch 180° Wafer

Reference Informations:

- *Material: Pin: Brass/Tin-plated
Wafer: Nylon 66,UL94V-2
- *Mates with A3960 or A3962 series Housing
- *Nylon 46 is available

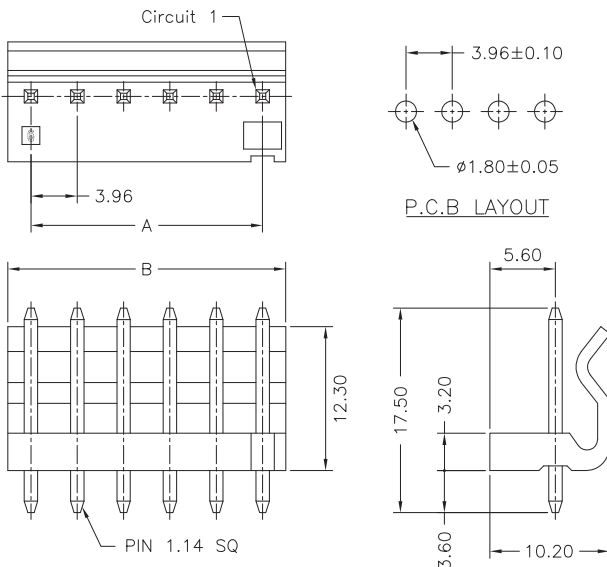
	A3960WV-05P						
	N	2	N	T1	N	00	G
①	②	③	④	⑤	⑥	⑦	
① N=Halogen Free ② Material: 2=Nylon 66-V2 ③ Color: N=Natural(Translucent) ④ Plating code: T1=Tin-plated ⑤ Plating code: N=Non-plating ⑥ Option code: 00=Standard ⑦ Packing code: G=Bag							



Ordering Information & Dimensions:

PART NO.	Dimensions	
	A	B
A3960WV-02P	3.96	7.92
A3960WV-03P	7.92	11.88
A3960WV-04P	11.88	15.84
A3960WV-05P	15.84	19.80
A3960WV-06P	19.80	23.76
A3960WV-07P	23.76	27.72
A3960WV-08P	27.72	31.68
A3960WV-09P	31.68	35.64
A3960WV-10P	35.64	39.60
A3960WV-11P	39.60	43.56
A3960WV-12P	43.56	47.52
A3960WV-13P	47.52	51.48
A3960WV-14P	51.48	55.44
A3960WV-15P	55.44	59.40
A3960WV-16P	59.40	63.36
A3960WV-17P	63.36	67.32
A3960WV-18P	67.32	71.28
A3960WV-19P	71.28	75.24
A3960WV-20P	75.24	79.20

Unit:mm



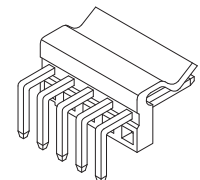
A3960WR

3.96mm pitch 90° Wafer

Reference Informations:

- *Material: Pin: Brass/Tin-plated
Wafer: Nylon 66,UL94V-2
- *Mates with A3960 or A3962 series Housing
- *Nylon 46 is available

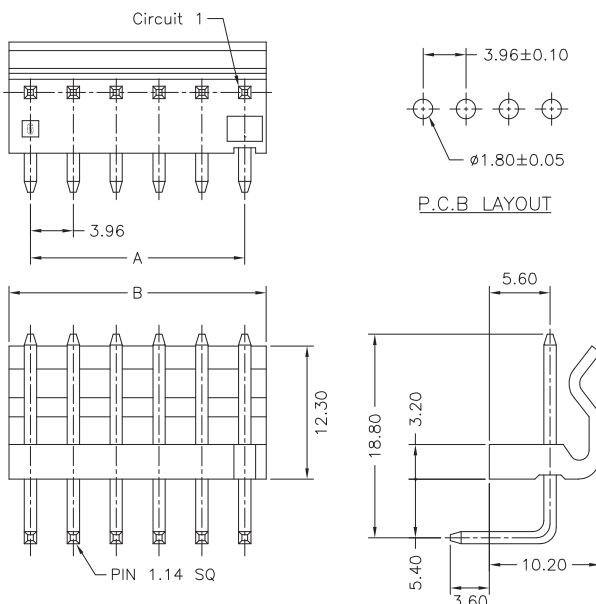
	A3960WR-05P						
	N	2	N	T1	N	00	G
①	②	③	④	⑤	⑥	⑦	
① N=Halogen Free ② Material: 2=Nylon 66-V2 ③ Color: N=Natural(Translucent) ④ Plating code: T1=Tin-plated ⑤ Plating code: N=Non-plating ⑥ Option code: 00=Standard ⑦ Packing code: G=Bag							



Ordering Information & Dimensions:

PART NO.	Dimensions	
	A	B
A3960WR-02P	3.96	7.92
A3960WR-03P	7.92	11.88
A3960WR-04P	11.88	15.84
A3960WR-05P	15.84	19.80
A3960WR-06P	19.80	23.76
A3960WR-07P	23.76	27.72
A3960WR-08P	27.72	31.68
A3960WR-09P	31.68	35.64
A3960WR-10P	35.64	39.60
A3960WR-11P	39.60	43.56
A3960WR-12P	43.56	47.52
A3960WR-13P	47.52	51.48
A3960WR-14P	51.48	55.44
A3960WR-15P	55.44	59.40
A3960WR-16P	59.40	63.36
A3960WR-17P	63.36	67.32
A3960WR-18P	67.32	71.28
A3960WR-19P	71.28	75.24
A3960WR-20P	75.24	79.20

Unit:mm



A3960 SERIES

3.96mm pitch wire to board connector

A3960WVA

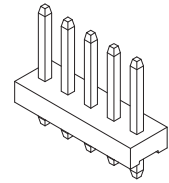
—3.96mm pitch 180° Wafer—

Reference Informations:

- *Material: Pin: Brass/Tin-plated
Wafer: Nylon 66,UL94V-2
- *Mates with A3960 or A3962 series Housing

	A3960WVA-05P						
	N	2	N	T1	N	00	G
	①	②	③	④	⑤	⑥	⑦

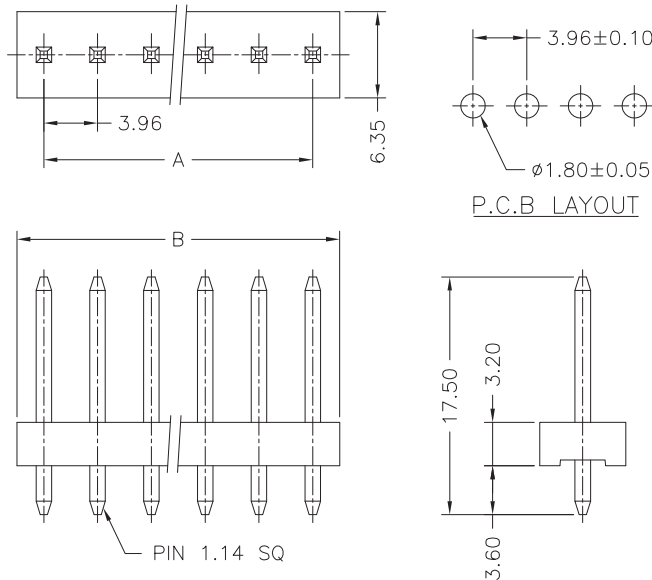
① N=Halogen Free
② Material: 2=Nylon 66-V2
③ Color: N=Natural(Translucent)
④ Plating code: T1=Tin-plated
⑤ Plating code: N=Non-plating
⑥ Option code: 00=Standard
⑦ Packing code: G=Bag



Ordering Information & Dimensions:

PART NO.	Dimensions	
	A	B
A3960WVA-02P	3.96	7.92
A3960WVA-03P	7.92	11.88
A3960WVA-04P	11.88	15.84
A3960WVA-05P	15.84	19.80
A3960WVA-06P	19.80	23.76
A3960WVA-07P	23.76	27.72
A3960WVA-08P	27.72	31.68
A3960WVA-09P	31.68	35.64
A3960WVA-10P	35.64	39.60
A3960WVA-11P	39.60	43.56
A3960WVA-12P	43.56	47.52
A3960WVA-13P	47.52	51.48
A3960WVA-14P	51.48	55.44
A3960WVA-15P	55.44	59.40
A3960WVA-16P	59.40	63.36
A3960WVA-17P	63.36	67.32
A3960WVA-18P	67.32	71.28
A3960WVA-19P	71.28	75.24
A3960WVA-20P	75.24	79.20

Unit:mm



P.C.B LAYOUT

A
B
C
F
ST
HRJ
DC

A3960WRA

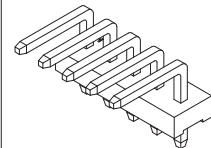
—3.96mm pitch 90° Wafer—

Reference Informations:

- *Material: Pin: Brass/Tin-plated
Wafer: Nylon 66,UL94V-2
- *Mates with A3960 or A3962 series Housing

	A3960WRA-05P						
	N	2	N	T1	N	00	G
	①	②	③	④	⑤	⑥	⑦

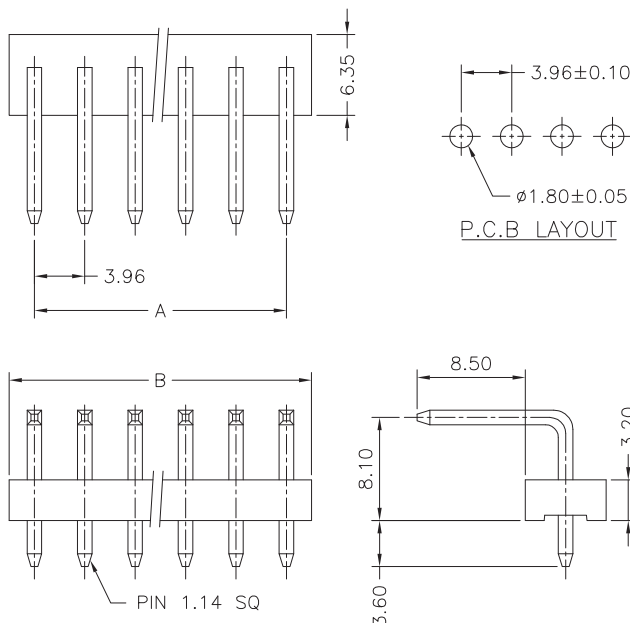
① N=Halogen Free
② Material: 2=Nylon 66-V2
③ Color: N=Natural(Translucent)
④ Plating code: T1=Tin-plated
⑤ Plating code: N=Non-plating
⑥ Option code: 00=Standard
⑦ Packing code: G=Bag



Ordering Information & Dimensions:

PART NO.	Dimensions	
	A	B
A3960WRA-02P	3.96	7.92
A3960WRA-03P	7.92	11.88
A3960WRA-04P	11.88	15.84
A3960WRA-05P	15.84	19.80
A3960WRA-06P	19.80	23.76
A3960WRA-07P	23.76	27.72
A3960WRA-08P	27.72	31.68
A3960WRA-09P	31.68	35.64
A3960WRA-10P	35.64	39.60
A3960WRA-11P	39.60	43.56
A3960WRA-12P	43.56	47.52
A3960WRA-13P	47.52	51.48
A3960WRA-14P	51.48	55.44
A3960WRA-15P	55.44	59.40
A3960WRA-16P	59.40	63.36
A3960WRA-17P	63.36	67.32
A3960WRA-18P	67.32	71.28
A3960WRA-19P	71.28	75.24
A3960WRA-20P	75.24	79.20

Unit:mm



P.C.B LAYOUT

A3960 SERIES

3.96mm pitch wire to board connector

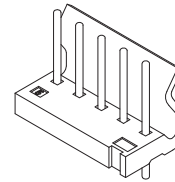
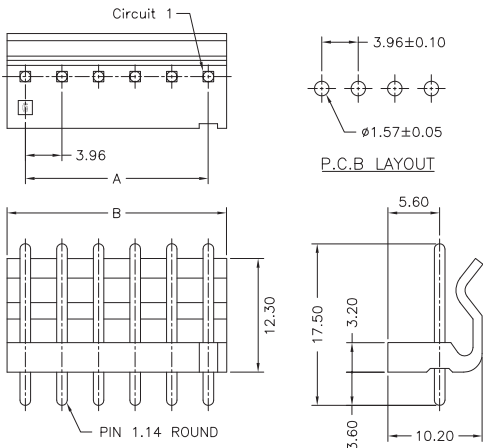
A3960WV

3.96mm pitch 180° Wafer, Round Pin

Reference Informations:

- *Material: Pin: Brass/Tin-plated
Wafer: Nylon 66,UL94V-2
- *Mates with A3960 or A3962 series Housing
- *Nylon 46 is available

	A3960WV-05P	N	2	N	T1	N	R0	G
		①	②	③	④	⑤	⑥	⑦
①	N=Halogen Free							
②	Material: 2=Nylon 66-V2							
③	Color: N=Natural(Translucent)							
④	Plating code: T1=Tin-plated							
⑤	Plating code: N=Non-plating							
⑥	Option code: R0=Round pin							
⑦	Packing code: G=Bag							



Ordering Information & Dimensions:

PART NO.	Dimensions	
	A	B
A3960WV-02PR	3.96	7.92
A3960WV-03PR	7.92	11.88
A3960WV-04PR	11.88	15.84
A3960WV-05PR	15.84	19.80
A3960WV-06PR	19.80	23.76
A3960WV-07PR	23.76	27.72
A3960WV-08PR	27.72	31.68
A3960WV-09PR	31.68	35.64
A3960WV-10PR	35.64	39.60
A3960WV-11PR	39.60	43.56
A3960WV-12PR	43.56	47.52
A3960WV-13PR	47.52	51.48
A3960WV-14PR	51.48	55.44
A3960WV-15PR	55.44	59.40
A3960WV-16PR	59.40	63.36
A3960WV-17PR	63.36	67.32
A3960WV-18PR	67.32	71.28
A3960WV-19PR	71.28	75.24
A3960WV-20PR	75.24	79.20

Unit:mm

A
B
C
F
ST
HRJ
DC

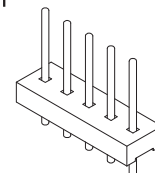
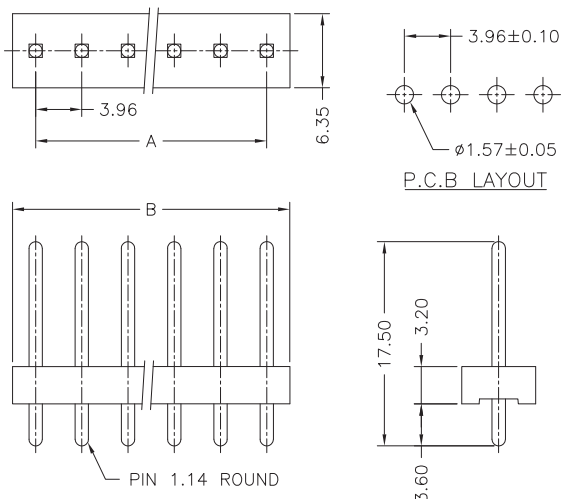
A3960WVA

3.96mm pitch 180° Wafer, Round Pin

Reference Informations:

- *Material: Pin: Brass/Tin-plated
Wafer: Nylon 66,UL94V-2
- *Mates with A3960 or A3962 series Housing

	A3960WVA-05P	N	2	N	T1	N	R0	G
		①	②	③	④	⑤	⑥	⑦
①	N=Halogen Free							
②	Material: 2=Nylon 66-V2							
③	Color: N=Natural(Translucent)							
④	Plating code: T1=Tin-plated							
⑤	Plating code: N=Non-plating							
⑥	Option code: R0=Round pin							
⑦	Packing code: G=Bag							

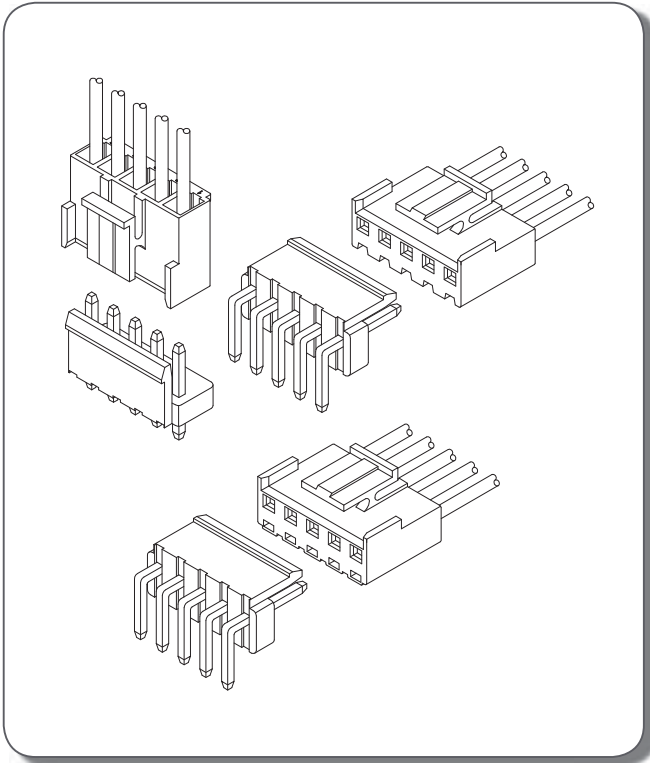


Ordering Information & Dimensions:

PART NO.	Dimensions	
	A	B
A3960WVA-02PR	3.96	7.92
A3960WVA-03PR	7.92	11.88
A3960WVA-04PR	11.88	15.84
A3960WVA-05PR	15.84	19.80
A3960WVA-06PR	19.80	23.76
A3960WVA-07PR	23.76	27.72
A3960WVA-08PR	27.72	31.68
A3960WVA-09PR	31.68	35.64
A3960WVA-10PR	35.64	39.60
A3960WVA-11PR	39.60	43.56
A3960WVA-12PR	43.56	47.52
A3960WVA-13PR	47.52	51.48
A3960WVA-14PR	51.48	55.44
A3960WVA-15PR	55.44	59.40
A3960WVA-16PR	59.40	63.36
A3960WVA-17PR	63.36	67.32
A3960WVA-18PR	67.32	71.28
A3960WVA-19PR	71.28	75.24
A3960WVA-20PR	75.24	79.20

Unit:mm

A
B
C
F
ST
HRJ
DC



Specifications

Current rating: 7A AC,DC
 Voltage rating: 250V AC,DC
 Temperature range: -25°C ~ +85°C
 Contact resistance: 10mΩ Max.
 Insulation resistance: 1000MΩ Min.
 Withstanding voltage: 1500V AC/minute

Standards



E179987

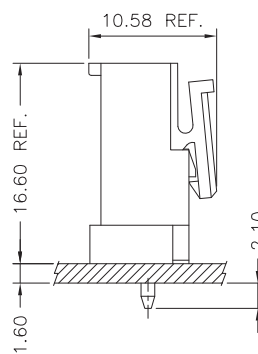
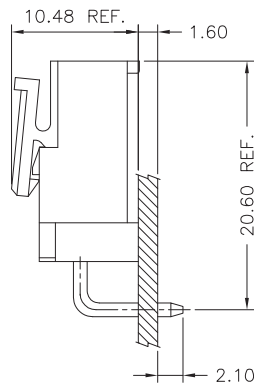


LR113464



R 3-50004394

Assembly layout



Ordering code

① ② ③ ④
A3961-T B E

- ① Series No.
- ② Plating code: T= Tin-plated, G= Gold-flash
- ③ Material: B= Brass, P= Phosphor bronze
- ④ E= Stamping before plating

① ② ③ ④
A3961 H A-05P

- ① Series No.
- ② H= Housing
- ③ Blank= Normal type
A= A type
- ④ No. of circuits

① ② ③ ④ ⑤
A3961 WV A-05P 46G

- ① Series No.
- ② Connector type: WV= Vertical, WR= Right angle
- ③ Blank= With locking ramp
A= Without locking ramp
- ④ No. of circuits
- ⑤ Option code:
46G= Nylon 46, Gold-flash

A3961 SERIES

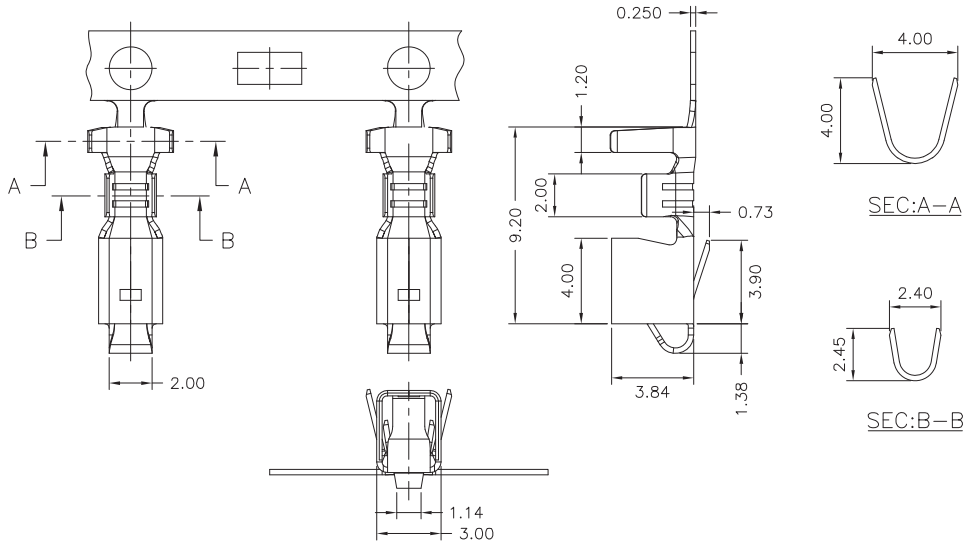
3.96mm pitch wire to board connector

A3961-T

3.96mm pitch Crimp Terminal

Reference Informations:

*Used in A3961 series Housing



A
B
C
F
ST
HRJ
DC

Ordering Information & Specifications:

Unit:mm

Part No.	Wire Range	Insulation O.D.	Material	Finish	Qty/reel
A3961-TBE	AWG#18-#22	3.00mm(max)	Brass	Tin-plated	4,000pcs
A3961-TPE	AWG#18-#22	3.00mm(max)	Phosphor Bronze	Tin-plated	4,000pcs
A3961-GPE	AWG#18-#22	3.00mm(max)	Phosphor Bronze	Gold-flash	4,000pcs

Note:E-Stamping before Tin-plated or Gold-flash

A3961H

3.96mm pitch Housing

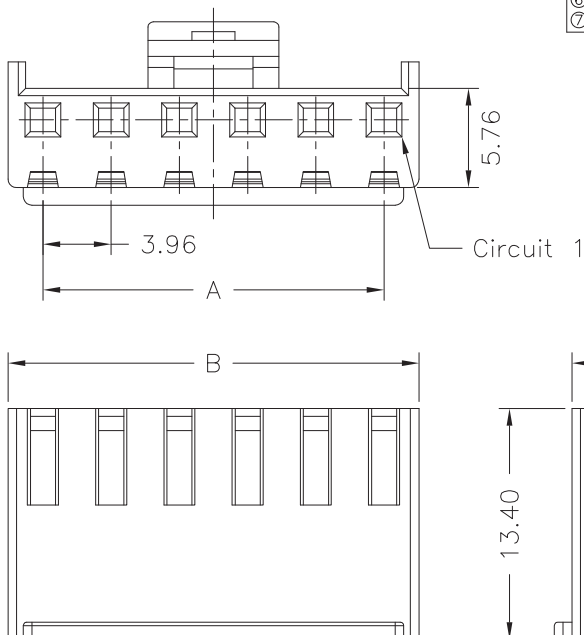
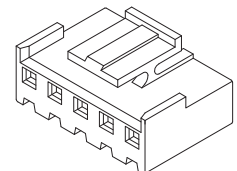
Reference Informations:

*Material: Nylon 66,UL94V-0

*Suitable A3961 series Terminal

*Mates with A3961 or A7921 series Wafer

A3961H-05P		N	Q	W	NP	N	00	G
		①	②	③	④	⑤	⑥	⑦
①	N=Halogen Free							
②	Material: 0=Nylon 66-V0							
③	Color: W=White							
④	Plating code: NP=Non-plating							
⑤	Plating code: N=Non-plating							
⑥	Option code: 00=Standard							
⑦	Packing code: G=Bag							



Ordering Information & Dimensions:

PART NO.	Dimensions	
	A	B
A3961H-02P	3.96	8.02
A3961H-03P	7.92	11.98
A3961H-04P	11.88	15.94
A3961H-05P	15.84	19.90
A3961H-06P	19.80	23.86
A3961H-07P	23.76	27.82
A3961H-08P	27.72	31.78
A3961H-09P	31.68	35.74
A3961H-10P	35.64	39.70
A3961H-11P	39.60	43.66
A3961H-12P	43.56	47.62
A3961H-13P	47.52	51.58
A3961H-14P	51.48	55.54
A3961H-15P	55.44	59.50

Unit:mm

A3961 SERIES

3.96mm pitch wire to board connector

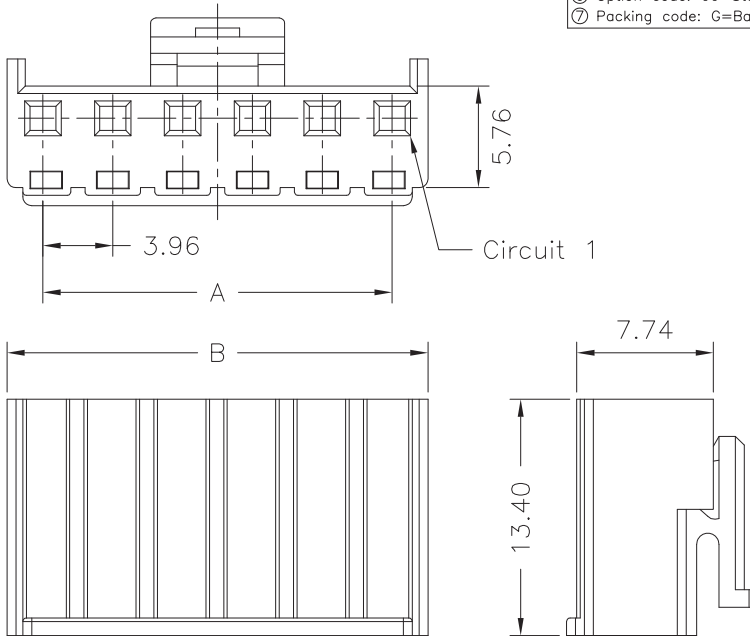
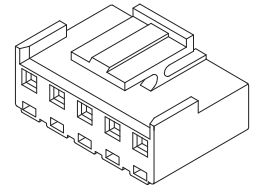
A3961HA

3.96mm pitch Housing

Reference Informations:

- *Material: Nylon 66,UL94V-0
- *Suitable A3961 series Terminal
- *Mates with A3961 or A7921 series Wafer

	A3961HA-05P N 0 W NP N 00 G						
	①	②	③	④	⑤	⑥	⑦
①	N=Halogen Free						
②	Material: 0=Nylon 66-V0						
③	Color: W=White						
④	Plating code: NP=Non-plating						
⑤	Plating code: N=Non-plating						
⑥	Option code: 00=Standard						
⑦	Packing code: G=Bag						



Ordering Information & Dimensions:

PART NO.	Dimensions	
	A	B
A3961HA-02P	3.96	8.02
A3961HA-03P	7.92	11.98
A3961HA-04P	11.88	15.94
A3961HA-05P	15.84	19.90
A3961HA-06P	19.80	23.86
A3961HA-07P	23.76	27.82
A3961HA-08P	27.72	31.78
A3961HA-09P	31.68	35.74
A3961HA-10P	35.64	39.70
A3961HA-11P	39.60	43.66
A3961HA-12P	43.56	47.62
A3961HA-13P	47.52	51.58
A3961HA-14P	51.48	55.54
A3961HA-15P	55.44	59.50

Unit:mm

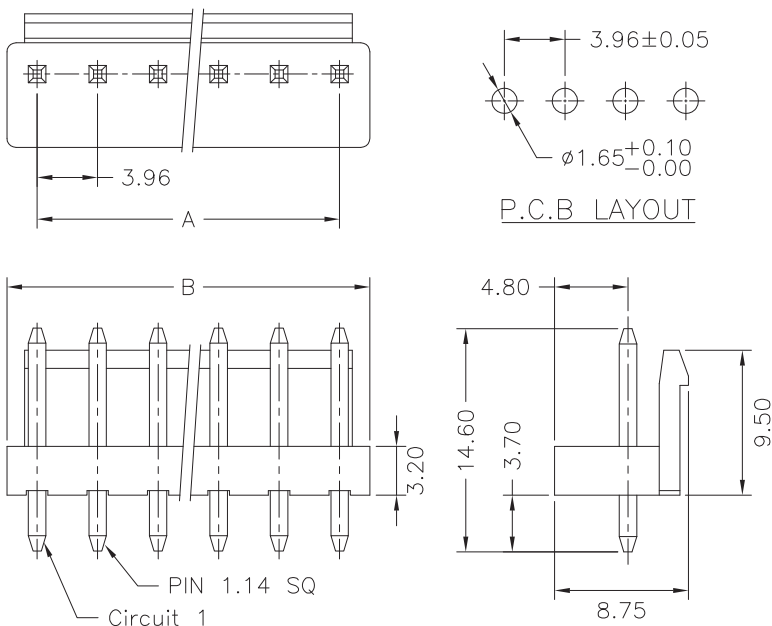
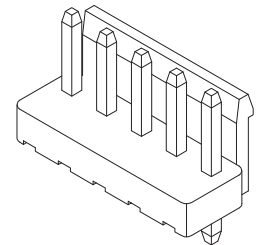
A3961WV

3.96mm pitch 180° Wafer

Reference Informations:

- *Material: Pin: Brass/Tin-plated
Wafer: Nylon 66,UL94V-0
- *Mates with A3961 series Housing
- *Nylon 46 is available

	A3961WV-05P N 0 W T1 N 00 G						
	①	②	③	④	⑤	⑥	⑦
①	N=Halogen Free						
②	Material: 0=Nylon 66-V0, 6=Nylon 6T						
③	Color: W=White, B=Black						
④	Plating code: T1=Tin-plated, G1=Gold-flash						
⑤	Plating code: N=Non-plating						
⑥	Option code: 00=Standard						
⑦	Packing code: G=Bag						



Ordering Information & Dimensions:

PART NO.	Dimensions	
	A	B
A3961WV-02P	3.96	7.92
A3961WV-03P	7.92	11.88
A3961WV-04P	11.88	15.84
A3961WV-05P	15.84	19.80
A3961WV-06P	19.80	23.76
A3961WV-07P	23.76	27.72
A3961WV-08P	27.72	31.68
A3961WV-09P	31.68	35.64
A3961WV-10P	35.64	39.60
A3961WV-11P	39.60	43.56
A3961WV-12P	43.56	47.52
A3961WV-13P	47.52	51.48
A3961WV-14P	51.48	55.44
A3961WV-15P	55.44	59.40

Unit:mm

A3961 SERIES

3.96mm pitch wire to board connector

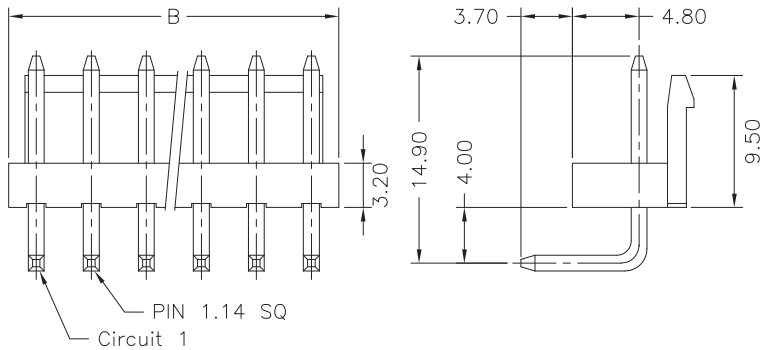
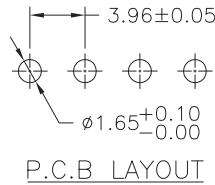
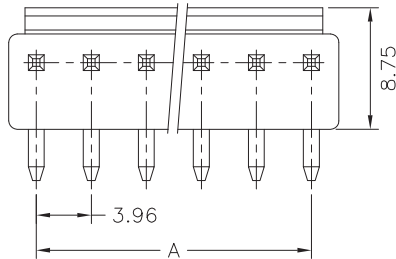
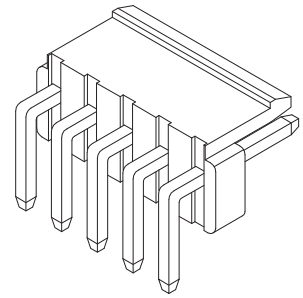
A3961WR

3.96mm pitch 90° Wafer

Reference Informations:

- *Material: Pin: Brass/Tin-plated
Wafer: Nylon 66,UL94V-0
- *Mates with A3961 series Housing
- *Nylon 46 is available

	A3961WR-05P	N	0	W	T1	N	00	G
①	N=Halogen Free	①	②	③	④	⑤	⑥	⑦
②	Material: 0=Nylon 66-V0, 6=Nylon 6T							
③	Color: W=White, B=Black							
④	Plating code: T1=Tin-plated, G1=Gold-flash							
⑤	Plating code: N=Non-plating							
⑥	Option code: 00=Standard							
⑦	Packing code: G=Bag							



Ordering Information & Dimensions:

PART NO.	Dimensions	
	A	B
A3961WR-02P	3.96	7.92
A3961WR-03P	7.92	11.88
A3961WR-04P	11.88	15.84
A3961WR-05P	15.84	19.80
A3961WR-06P	19.80	23.76
A3961WR-07P	23.76	27.72
A3961WR-08P	27.72	31.68
A3961WR-09P	31.68	35.64
A3961WR-10P	35.64	39.60
A3961WR-11P	39.60	43.56
A3961WR-12P	43.56	47.52
A3961WR-13P	47.52	51.48
A3961WR-14P	51.48	55.44
A3961WR-15P	55.44	59.40

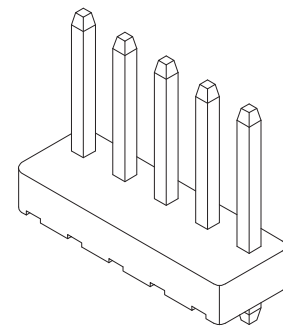
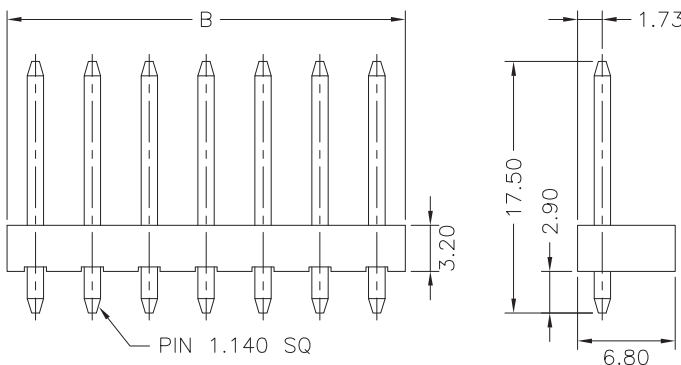
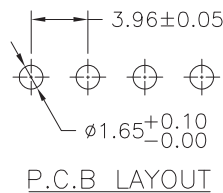
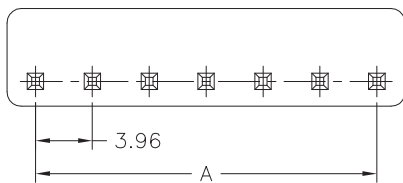
Unit:mm

A3961WVA

3.96mm pitch 180° Wafer

Reference Informations:

- *Material: Pin: Brass/Tin-plated
Wafer: Nylon 66,UL94V-0
- *Mates with A3961 series Housing



	A3961WVA-07P	N	0	W	T1	N	00	G
①	N=Halogen Free	①	②	③	④	⑤	⑥	⑦
②	Material: 0=Nylon 66-V0							
③	Color: W=White							
④	Plating code: T1=Tin-plated							
⑤	Plating code: N=Non-plating							
⑥	Option code: 00=Standard							
⑦	Packing code: G=Bag							

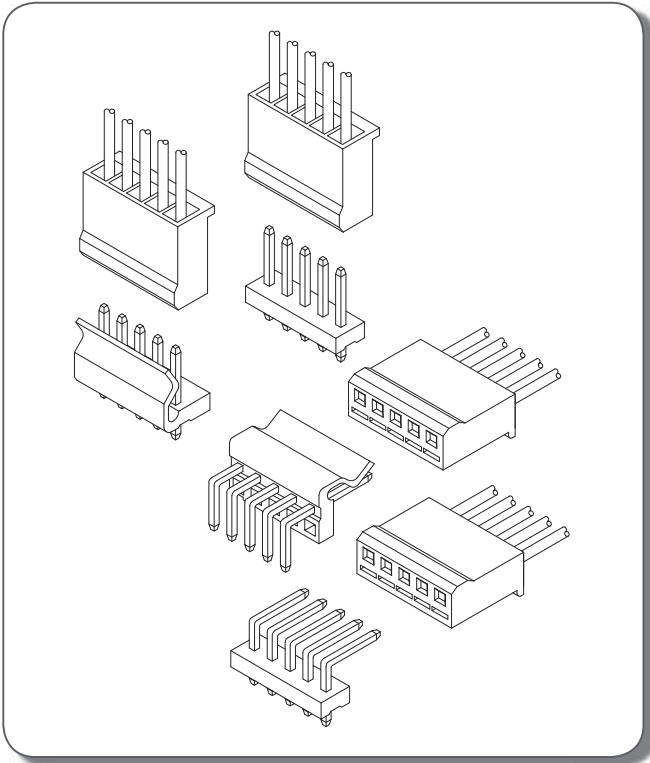
Ordering Information & Dimensions:

PART NO.	Dimensions	
	A	B
A3961WVA-07P	23.76	27.72
A3961WVA-11P	39.60	43.56

Unit:mm

A
B
C
F
ST
HRJ
DC

A
B
C
F
ST
HRJ
DC



Specifications

- Current rating: 7A AC,DC
- Voltage rating: 250V AC,DC
- Temperature range: -25°C ~ +85°C
- Contact resistance: 10mΩ Max.
- Insulation resistance: 1000MΩ Min.
- Withstanding voltage: 1500V AC/minute

Standards

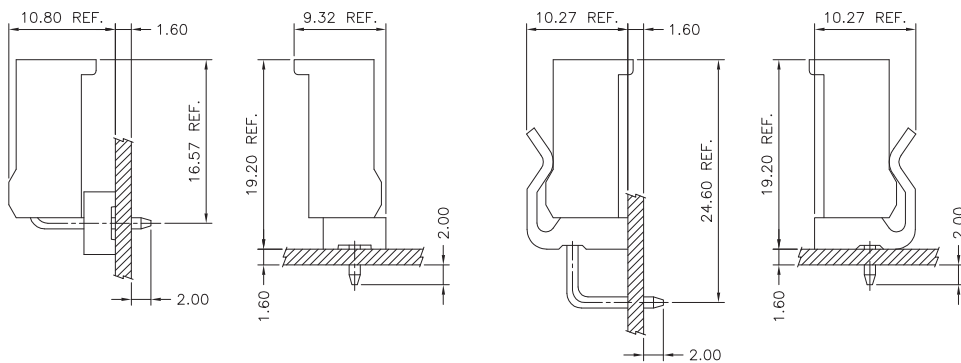


E179987



R 3-50004394

Assembly layout



Ordering code

① ② ③ ④
A3962-T B E

- ① Series No.
- ② Plating code: T=Tin-plated
- ③ Material: B=Brass
- ④ E=Stamping before plating

① ② ③
A3962 H-05P

- ① Series No.
- ② H=Housing
- ③ No. of circuits

A3962 SERIES

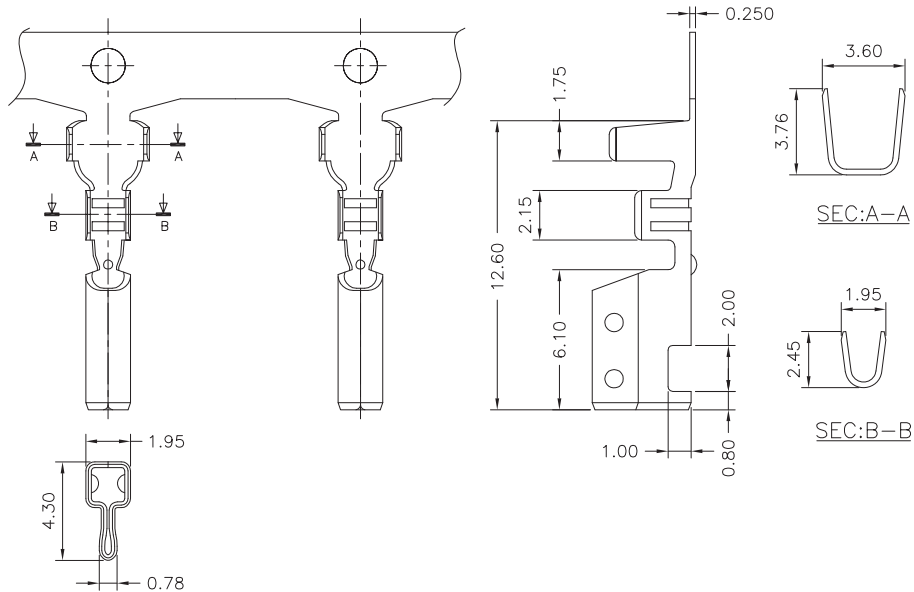
3.96mm pitch wire to board connector

A3962-T

3.96mm pitch Crimp Terminal

Reference Informations:

*Used in A3962 series Housing



A
B
C
F
ST
HRJ
DC

Ordering Information & Specifications:

Unit:mm

Part No.	Wire Range	Insulation O.D.	Material	Finish	Qty/reel
A3962-TBE	AWG#18-#24	3.20mm(max)	Brass	Tin-plated	5,000pcs

Note:E-Stamping before Tin-plated

A3962H

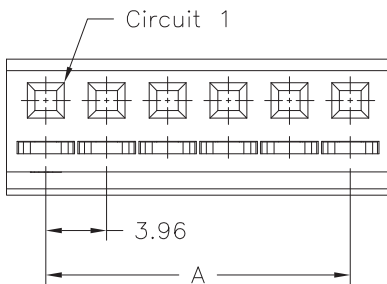
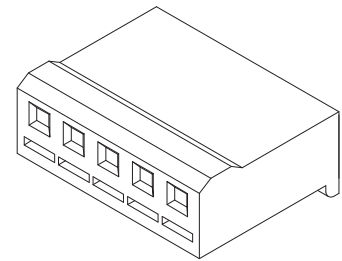
3.96mm pitch Housing

Reference Informations:

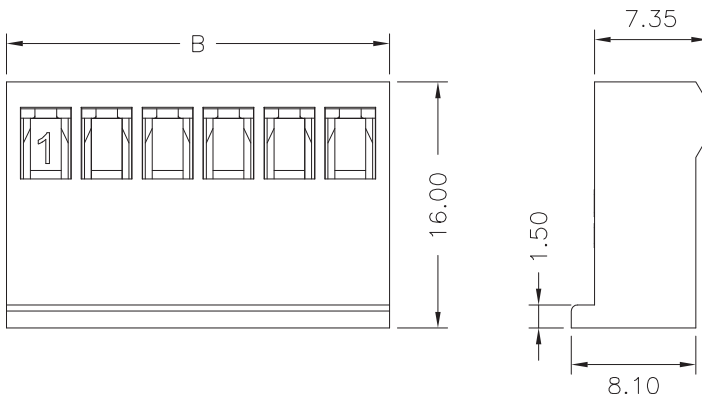
*Material: Nylon 66,UL94V-2

*Suitable A3962 series Terminal

*Mates with A3960 or A7920 series Wafer



A3962H-05P		N	2	N	NP	N	00	G
		①	②	③	④	⑤	⑥	⑦
① N=Halogen Free								
② Material: 2=Nylon 66-V2								
③ Color: N=Natural(Translucent)								
④ Plating code: NP=Non-plating								
⑤ Plating code: N=Non-plating								
⑥ Option code: 00=Standard								
⑦ Packing code: G=Bag								



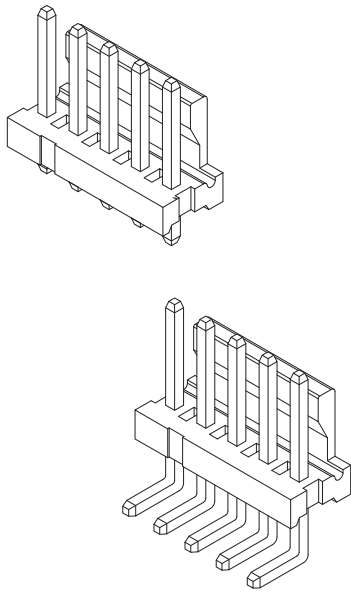
Ordering Information & Dimensions:

PART NO.	Dimensions	
	A	B
A3962H-02P	3.96	9.06
A3962H-03P	7.92	13.02
A3962H-04P	11.88	16.98
A3962H-05P	15.84	20.94
A3962H-06P	19.80	24.90
A3962H-07P	23.76	28.86
A3962H-08P	27.72	32.82
A3962H-09P	31.68	36.78
A3962H-10P	35.64	40.74
A3962H-11P	39.60	44.70
A3962H-12P	43.56	48.66

Unit:mm

Specifications

Current rating: 7A AC,DC
Voltage rating: 600V AC,DC
Temperature range: -25°C ~ +85°C
Contact resistance: 3mΩ Max.
Insulation resistance: 5000MΩ Min.
Withstanding voltage: 2200V AC/minute



Ordering code

① A3963 ② WV-③ 05P ④ R

- ① Series No.
- ② Connector type: WV=Vertical, WR=Right angle
- ③ No. of circuits
- ④ Option code:
 - R=Round pin(Vertical type only)
 - Y01=Soldertail length 4.45mm
 - YR1=Soldertail length 4.45mm, Round pin(Vertical type only)

A3963 SERIES

3.96mm pitch wire to board connector

A3963WV

3.96mm pitch 180° Wafer

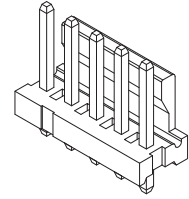
Reference Informations:

*Material: Pin: Brass/Tin-plated

Wafer: Nylon 66,UL94V-0

*Solder-tail Length 4.45mm is available

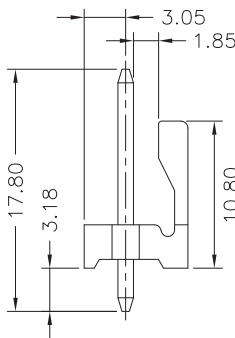
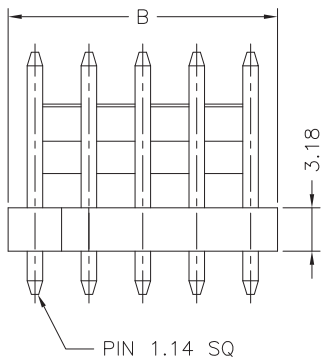
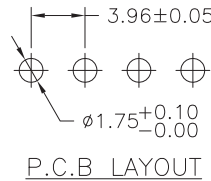
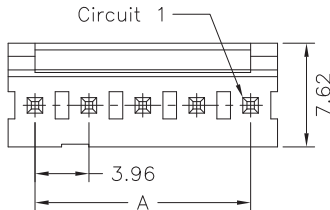
	A3963WV-05P N 0 W T1 N 00 G						
	①	②	③	④	⑤	⑥	⑦
①	N=Halogen Free						
②	Material: 0=Nylon 66-V0						
③	Color: W=White						
④	Plating code: T1=Tin-plated						
⑤	Plating code: N=Non-plating						
⑥	Option code: 00=Standard, Y1=Solder-tail 4.45mm						
⑦	Packing code: G=Bag						



Ordering Information & Dimensions:

PART NO.	Dimensions	
	A	B
A3963WV-02P	3.96	7.92
A3963WV-03P	7.92	11.88
A3963WV-04P	11.88	15.84
A3963WV-05P	15.84	19.80
A3963WV-06P	19.80	23.76
A3963WV-07P	23.76	27.72
A3963WV-08P	27.72	31.68
A3963WV-09P	31.68	35.64
A3963WV-10P	35.64	39.60
A3963WV-11P	39.60	43.56
A3963WV-12P	43.56	47.52
A3963WV-13P	47.52	51.48
A3963WV-14P	51.48	55.44
A3963WV-15P	55.44	59.40
A3963WV-16P	59.40	63.36
A3963WV-17P	63.36	67.32
A3963WV-18P	67.32	71.28
A3963WV-19P	71.28	75.24
A3963WV-20P	75.24	79.20

Unit:mm



A
B
C
F
ST
HRJ
DC

A3963WR

3.96mm pitch 90° Wafer

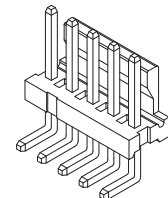
Reference Informations:

*Material: Pin: Brass/Tin-plated

Wafer: Nylon 66,UL94V-0

*Solder-tail Length 4.45mm is available

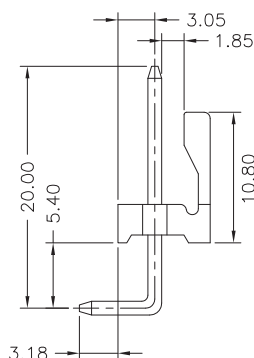
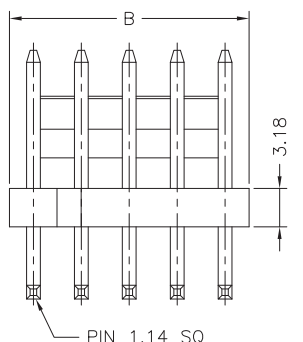
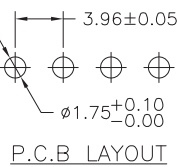
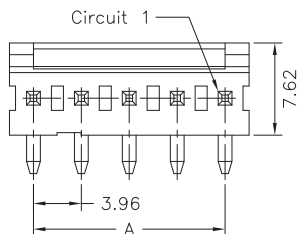
	A3963WR-05P N 0 W T1 N 00 G						
	①	②	③	④	⑤	⑥	⑦
①	N=Halogen Free						
②	Material: 0=Nylon 66-V0						
③	Color: W=White						
④	Plating code: T1=Tin-plated						
⑤	Plating code: N=Non-plating						
⑥	Option code: 00=Standard, Y1=Solder-tail 4.45mm						
⑦	Packing code: G=Bag						



Ordering Information & Dimensions:

PART NO.	Dimensions	
	A	B
A3963WR-02P	3.96	7.92
A3963WR-03P	7.92	11.88
A3963WR-04P	11.88	15.84
A3963WR-05P	15.84	19.80
A3963WR-06P	19.80	23.76
A3963WR-07P	23.76	27.72
A3963WR-08P	27.72	31.68
A3963WR-09P	31.68	35.64
A3963WR-10P	35.64	39.60
A3963WR-11P	39.60	43.56
A3963WR-12P	43.56	47.52
A3963WR-13P	47.52	51.48
A3963WR-14P	51.48	55.44
A3963WR-15P	55.44	59.40
A3963WR-16P	59.40	63.36
A3963WR-17P	63.36	67.32
A3963WR-18P	67.32	71.28
A3963WR-19P	71.28	75.24
A3963WR-20P	75.24	79.20

Unit:mm



A3963WV

3.96mm pitch 180° Wafer, Round Pin

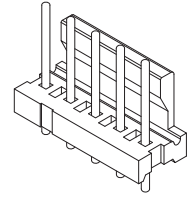
Reference Informations:

*Material: Pin: Brass/Tin-plated

Wafer: Nylon 66,UL94V-0

*Soldertail Length 4.45mm is available

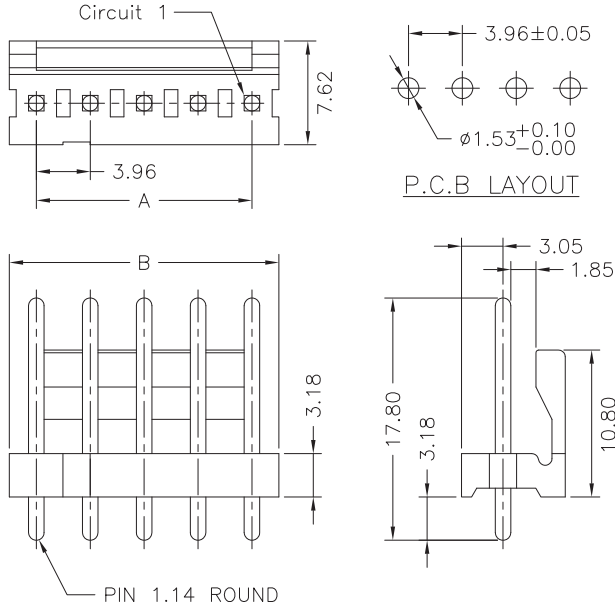
	A3963WV-05P N 0 W T1 N R0 G						
	①	②	③	④	⑤	⑥	⑦
①	N=Halogen Free						
②	Material: 0=Nylon 66-V0						
③	Color: W=White						
④	Plating code: T1=Tin-plated						
⑤	Plating code: N=Non-plating						
⑥	Option code: R0=Round pin, R1=Soldertail 4.45mm						
⑦	Packing code: G=Bag						



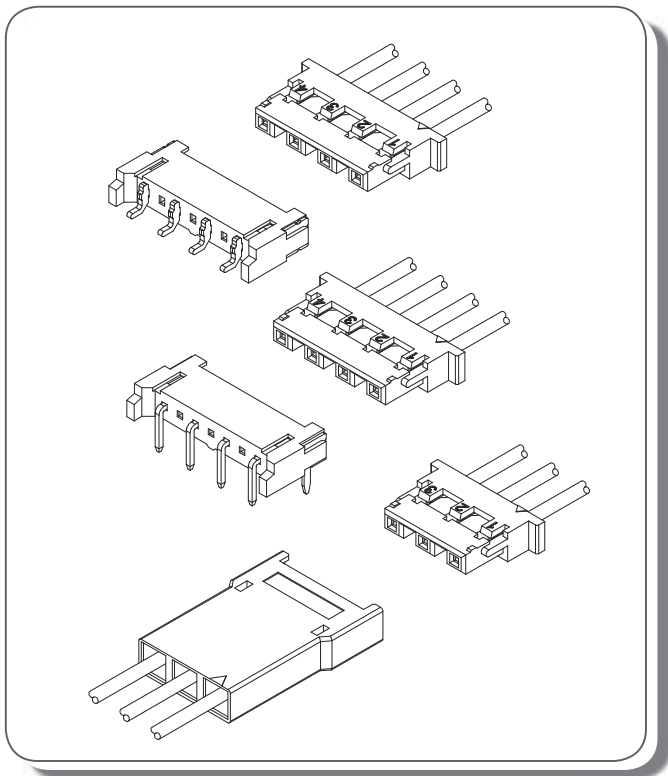
Ordering Information & Dimensions:

PART NO.	Dimensions	
	A	B
A3963WV-02PR	3.96	7.92
A3963WV-03PR	7.92	11.88
A3963WV-04PR	11.88	15.84
A3963WV-05PR	15.84	19.80
A3963WV-06PR	19.80	23.76
A3963WV-07PR	23.76	27.72
A3963WV-08PR	27.72	31.68
A3963WV-09PR	31.68	35.64
A3963WV-10PR	35.64	39.60
A3963WV-11PR	39.60	43.56
A3963WV-12PR	43.56	47.52
A3963WV-13PR	47.52	51.48
A3963WV-14PR	51.48	55.44
A3963WV-15PR	55.44	59.40
A3963WV-16PR	59.40	63.36
A3963WV-17PR	63.36	67.32
A3963WV-18PR	67.32	71.28
A3963WV-19PR	71.28	75.24
A3963WV-20PR	75.24	79.20

Unit:mm



A
B
C
F
ST
HRJ
DC



Specifications

Current rating: 1A AC,DC
 Voltage rating: 600V AC,DC
 Temperature range: -25°C ~ +85°C
 Contact resistance: 10mΩ Max.
 Insulation resistance: 1000MΩ Min.
 Withstanding voltage: 1800V AC/minute

A
B
C
F
ST
HRJ
DC

Standards

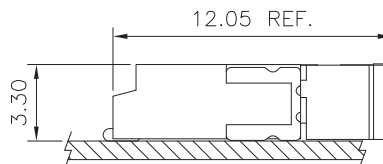
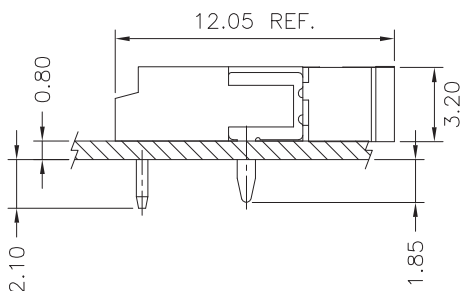


E179987



LR113464

Assembly layout



Ordering code

① ② ③ ④ ⑤
A4000 M-T P E

- ① Series No.
- ② Terminal type: Blank=Female, M=Male
- ③ Plating code: T=Tin-plated
- ④ Material: P=Phosphor bronze
- ⑤ E=Stamping before plating

① ② ③ ④
A4000 H M-05P

- ① Series No.
- ② H=Housing
- ③ Blank=Receptacle, M=Plug
- ④ No. of circuits

① ② ③ ④ ⑤
A4000 WR -DS-05P DQ3

- ① Series No.
- ② Connector type: WR=Right angle
- ③ Mounting type: Blank=Through hole
 -S=SMT
 -DS=SMT, Square pin
- ④ No. of circuits
- ⑤ Option code:
 (Refer to drawings)

A4000 SERIES

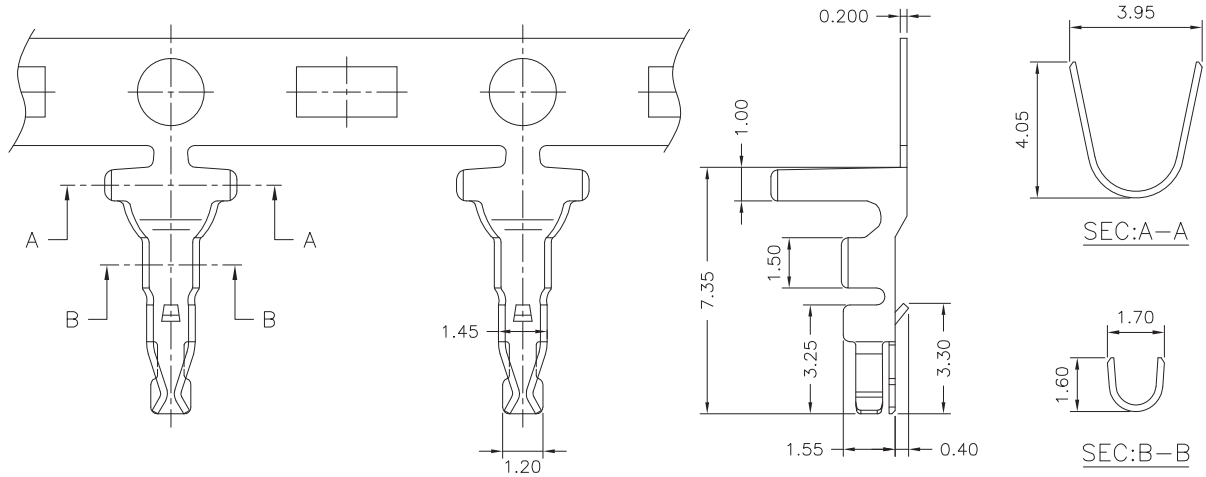
4.00mm pitch wire to board and wire to wire connector

A4000-T

4.00mm pitch Crimp Terminal

Reference Informations:

*Used in A4000H series Housing



Ordering Information & Specifications:

Unit:mm

Part No.	Wire Range	Insulation O.D.	Material	Finish	Qty/reel
A4000-TPE	AWG#22-#28	2.40mm(max)	Phosphor Bronze	Tin-plated	5,000pcs

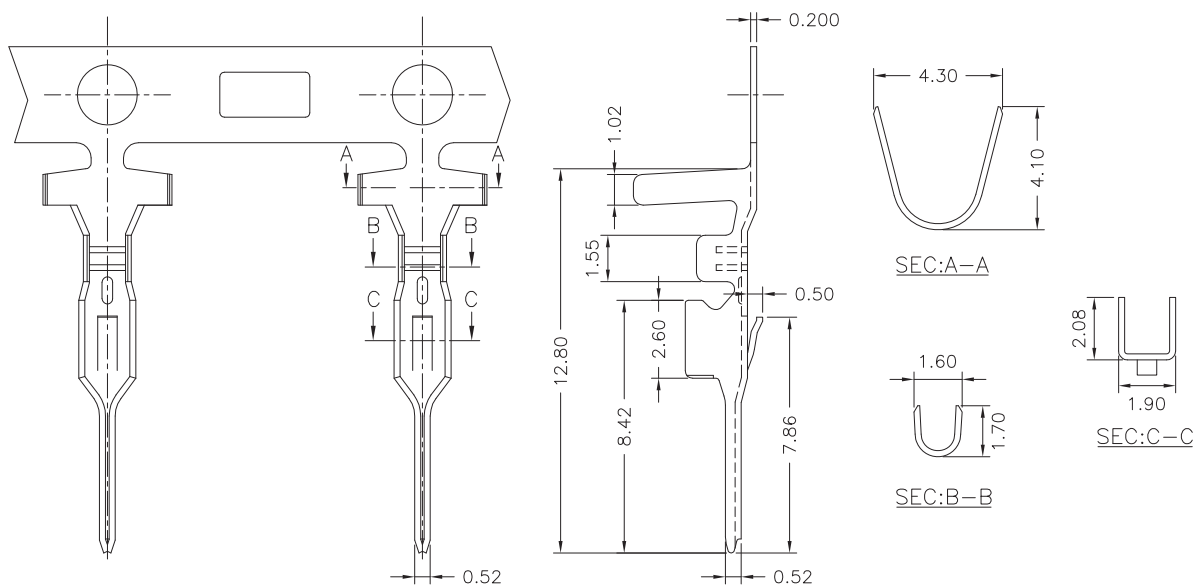
Note:E-Stamping before Tin-plated

A4000M-T

4.00mm pitch Crimp Terminal

Reference Informations:

*Used in A4000HM series Housing



Ordering Information & Specifications:

Unit:mm

Part No.	Wire Range	Insulation O.D.	Material	Finish	Qty/reel
A4000M-TPE	AWG#22-#28	2.40mm(max)	Phosphor Bronze	Tin-plated	5,000pcs

Note:E-Stamping before Tin-plated

A4000 SERIES

4.00mm pitch wire to board and wire to wire connector

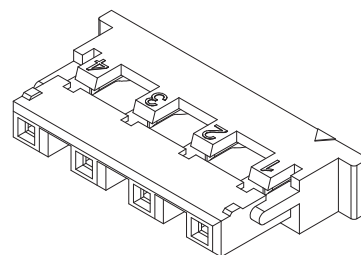
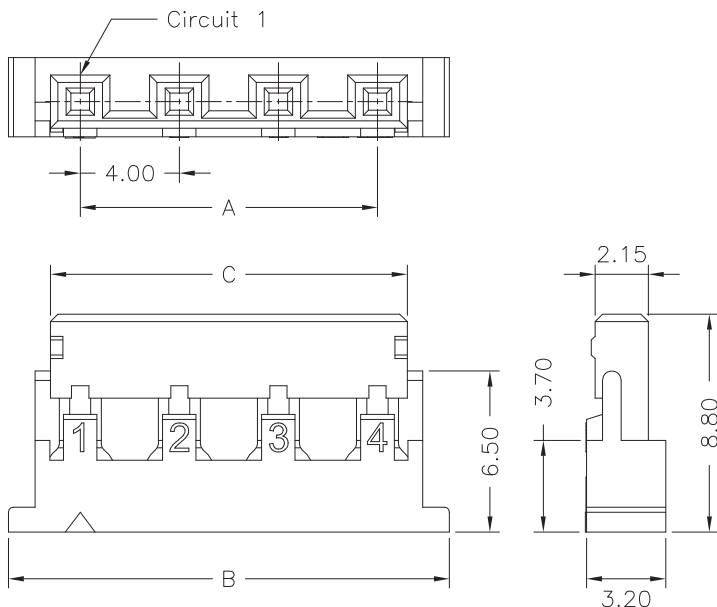
A4000H

4.00mm pitch Housing

Reference Informations:

- *Material: Nylon 66,UL94V-0
- *Suitable A4000 series Terminal
- *Mates with A4000HM series Housing or A4000 series Wafer

	A4000H-05P	N	0	W	NP	N	00	G
		①	②	③	④	⑤	⑥	⑦
①	N=Halogen Free							
②	Material: 0=Nylon 66-V0							
③	Color: W=White							
④	Plating code: NP=Non-plating							
⑤	Plating code: N=Non-plating							
⑥	Option code: 00=Standard							
⑦	Packing code: G=Bag							



A
B
C
F
ST
HRJ
DC

Ordering Information & Dimensions:

PART NO.	Dimensions		
	A	B	C
A4000H-02P	4.00	9.80	6.40
A4000H-03P	8.00	13.80	10.40
A4000H-04P	12.00	17.80	14.40
A4000H-05P	16.00	21.80	18.40

Unit:mm

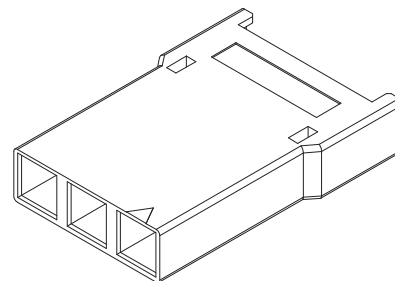
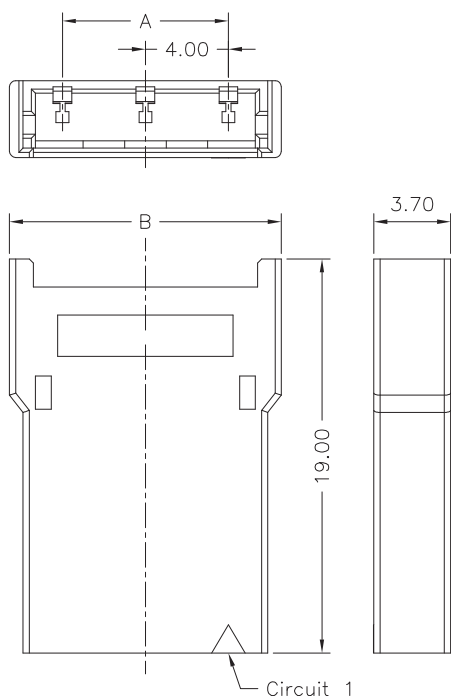
A4000HM

4.00mm pitch Housing

Reference Informations:

- *Material: Nylon 66,UL94V-0
- *Suitable A4000M series Terminal
- *Mates with A4000H series Housing

	A4000HM-05P	N	0	W	NP	N	00	G
		①	②	③	④	⑤	⑥	⑦
①	N=Halogen Free							
②	Material: 0=Nylon 66-V0							
③	Color: W=White							
④	Plating code: NP=Non-plating							
⑤	Plating code: N=Non-plating							
⑥	Option code: 00=Standard							
⑦	Packing code: G=Bag							



Ordering Information & Dimensions:

PART NO.	Dimensions	
	A	B
A4000HM-02P	4.00	9.10
A4000HM-03P	8.00	13.10
A4000HM-04P	12.00	17.10
A4000HM-05P	16.00	21.10

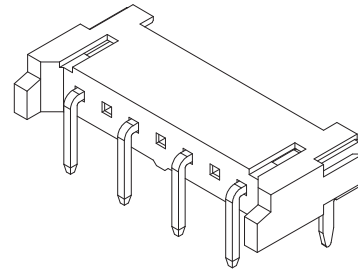
Unit:mm

A4000WR

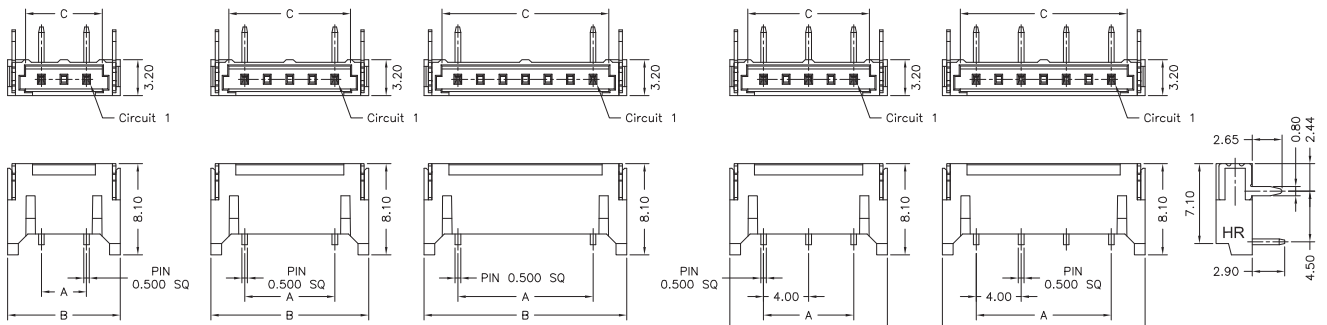
4.00mm pitch 90° Wafer

Reference Informations:

- *Material: Pin: Brass/Gold-flash
Solder Pin: Brass/Gold-flash
Wafer: Nylon 6T,UL94V-0
- *Mates with A4000H series Housing



A
B
C
F
ST
HRJ
DC



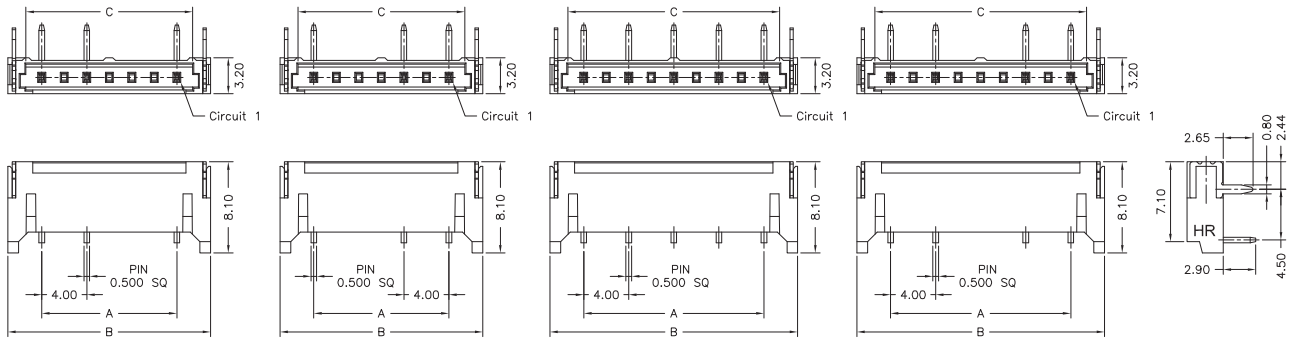
A4000WR-02PD1

A4000WR-02PD2

A4000WR-02PD3

A4000WR-03PD

A4000WR-04PD



A4000WR-04PDQ2

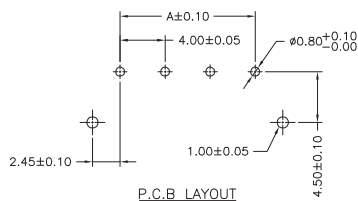
A4000WR-04PDQ3

A4000WR-05PD

A4000WR-05PDQ3

A4000WR-05P N 6 B G1 G Q1 T
① ② ③ ④ ⑤ ⑥ ⑦

- ① N=Halogen Free
- ② Material: 6=Nylon 6T
- ③ Color: B=Black
- ④ Plating code: G1=Gold-flash
- ⑤ Plating code: G=Gold-flash
- ⑥ Option code: 00=Standard; Q1, Q2,.....=With cut-pin (Cut-pin position refer to drawings for details)
- ⑦ Packing code: T=Tube



Ordering Information & Dimensions:

PART NO.	Dimensions		
	A	B	C
A4000WR-02PD1	4.00	10.00	6.80
A4000WR-02PD2	8.00	14.00	10.80
A4000WR-02PD3	12.00	18.00	14.80
A4000WR-03PD	8.00	14.00	10.80
A4000WR-04PD	12.00	18.00	14.80
A4000WR-04PDQ2	12.00	18.00	14.80
A4000WR-04PDQ3	12.00	18.00	14.80
A4000WR-05PD	16.00	22.00	18.80
A4000WR-05PDQ3	16.00	22.00	18.80

Unit:mm

A4000 SERIES

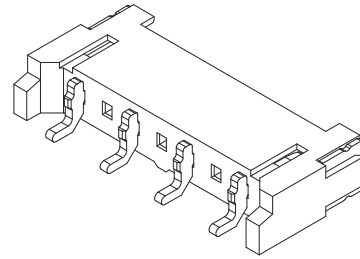
4.00mm pitch wire to board and wire to wire connector

A4000WR-S

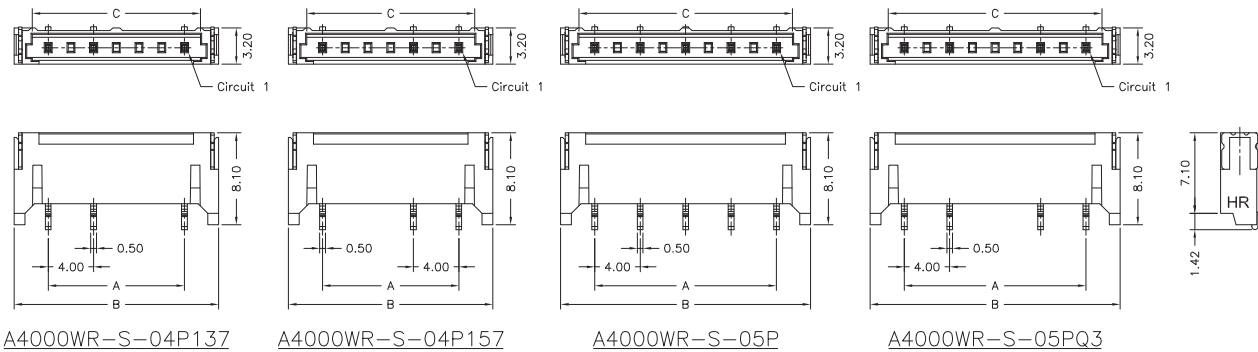
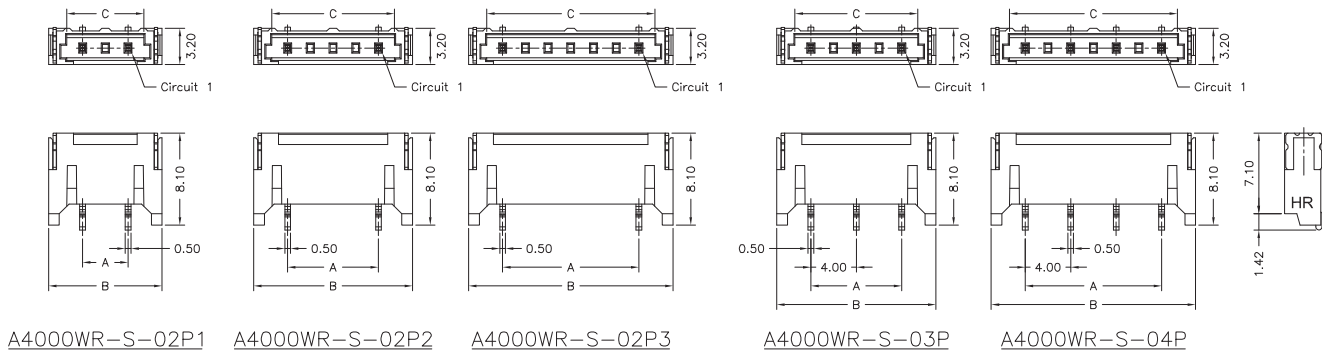
4.00mm pitch 90° Wafer- SMT TYPE

Reference Informations:

- *Material: Pin: Brass/Tin-plated
Solder Tabs: Brass/Tin-plated
Wafer: Nylon 6T,UL94V-0
- *Mates with A4000H series Housing

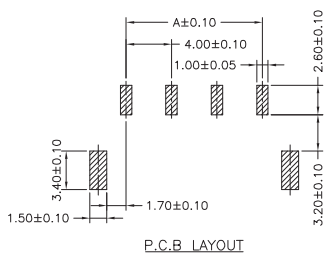


A
B
C
F
ST
HRJ
DC



	A4000WR-S-05P	N	6	B	T1	T	Q1	R
		①	②	③	④	⑤	⑥	⑦

① N=Halogen Free
② Material: 6=Nylon 6T
③ Color: B=Black
④ Plating code: T1=Tin-plated
⑤ Plating code: T=Tin-plated
⑥ Option code: 00=Standard; Q1, Q2,...=With cut-pin (Cut-pin position refer to drawings for details)
⑦ Packing code: R=Tape & Reel



Ordering Information & Dimensions:

PART NO.	Dimensions		
	A	B	C
A4000WR-S-02P1	4.00	10.00	6.80
A4000WR-S-02P2	8.00	14.00	10.80
A4000WR-S-02P3	12.00	18.00	14.80
A4000WR-S-03P	8.00	14.00	10.80
A4000WR-S-04P	12.00	18.00	14.80
A4000WR-S-04P137	12.00	18.00	14.80
A4000WR-S-04P157	12.00	18.00	14.80
A4000WR-S-05P	16.00	22.00	18.80
A4000WR-S-05PQ3	16.00	22.00	18.80

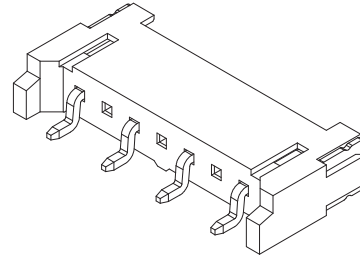
Unit:mm

A4000WR-DS

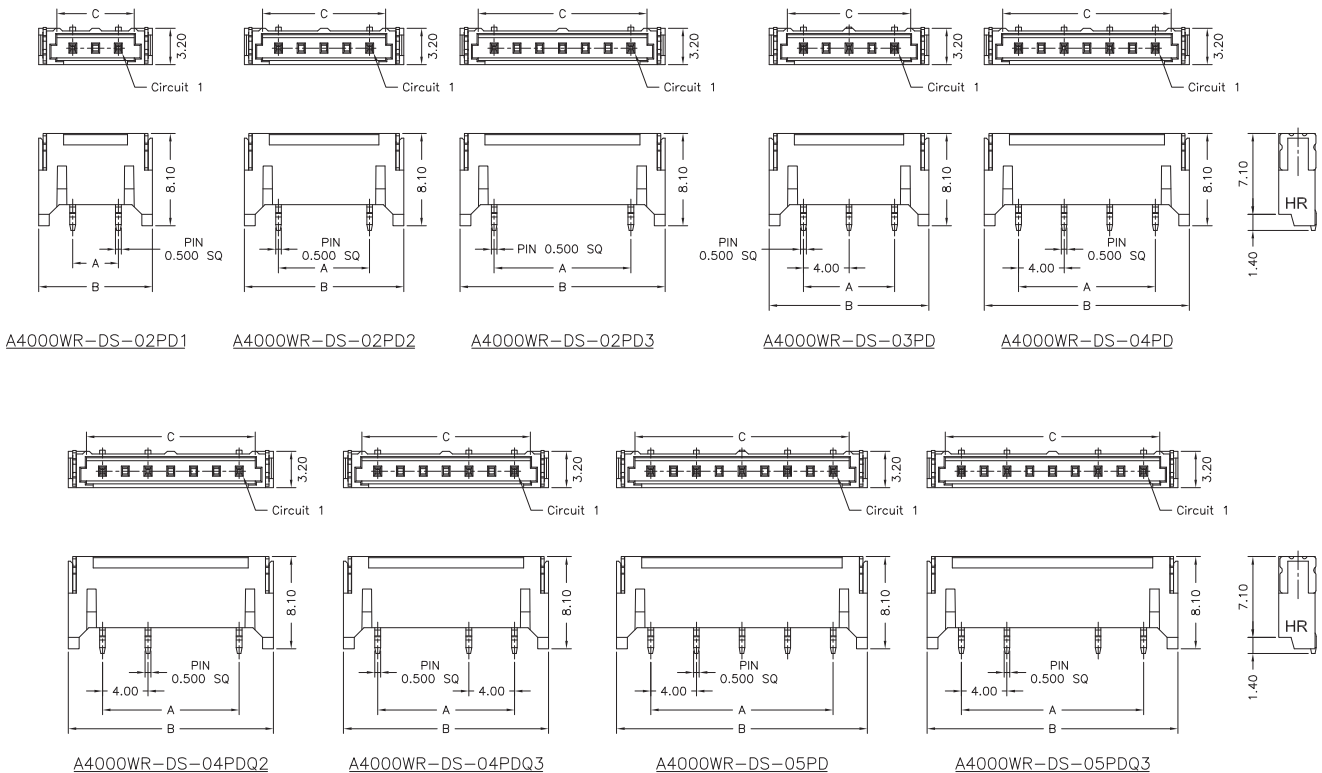
4.00mm pitch 90° Wafer- SMT TYPE

Reference Informations:

- *Material: Pin: Brass/Gold-flash
Solder Tabs: Brass/Gold-flash
Wafer: Nylon 6T,UL94V-0
- *Mates with A4000H series Housing

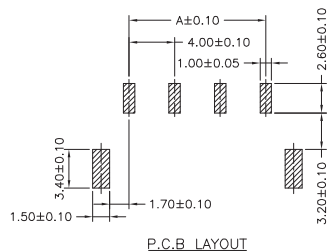


A
B
C
F
ST
HR
J
DC



A4000WR-DS-05P N 6 B G1 G Q1 R
 ① ② ③ ④ ⑤ ⑥ ⑦

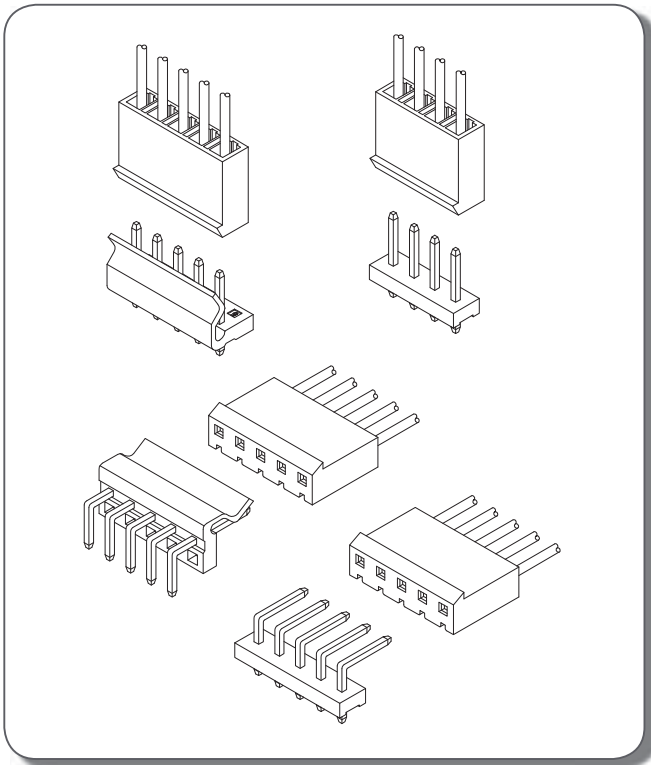
- ① N=Halogen Free
- ② Material: 6=Nylon 6T
- ③ Color: B=Black
- ④ Plating code: G1=Gold-flash
- ⑤ Plating code: G=Gold-flash
- ⑥ Option code: 00=Standard; Q1, Q2,.....=With cut-pin (Cut-pin position refer to drawings for details)
- ⑦ Packing code: R=Tape & Reel



Ordering Information & Dimensions:

PART NO.	Dimensions		
	A	B	C
A4000WR-DS-02PD1	4.00	10.00	6.80
A4000WR-DS-02PD2	8.00	14.00	10.80
A4000WR-DS-02PD3	12.00	18.00	14.80
A4000WR-DS-03PD	8.00	14.00	10.80
A4000WR-DS-04PD	12.00	18.00	14.80
A4000WR-DS-04PDQ2	12.00	18.00	14.80
A4000WR-DS-04PDQ3	12.00	18.00	14.80
A4000WR-DS-05PD	16.00	22.00	18.80
A4000WR-DS-05PDQ3	16.00	22.00	18.80

Unit:mm



Specifications

Current rating: 7A AC,DC
 Voltage rating: 250V AC,DC
 Temperature range: -25°C ~ +85°C
 Contact resistance: 10mΩ Max.
 Insulation resistance: 1000MΩ Min.
 Withstanding voltage: 1500V AC/minute

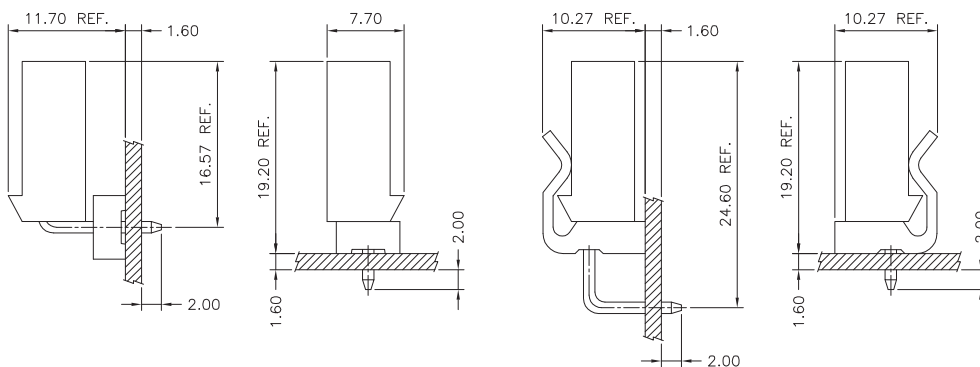
A
B
C
F
ST
HRJ
DC

Standards



E179987

Assembly layout



Ordering code

① A5081 ② H ③ -05P ④ -1

- ① Series No.
- ② H=Housing
- ③ No. of circuits
- ④ Option code:
 1=Type 1
 2=Type 2
 1V0=UL94V-0, Type 1
 2V0=UL94V-0, Type 2

① A5081 ② WV ③ A-05P ④ R ⑤

- ① Series No.
- ② Connector type: WV=Vertical, WR=Right angle
- ③ Blank=With locking ramp
 A=Without locking ramp
 B=With polarizing backwall
- ④ No. of circuits
- ⑤ Option code:
 R=Round pin(Vertical type only)
 V0=UL94V-0, White

A5081 SERIES

5.08mm pitch wire to board connector

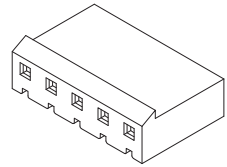
A5081H

5.08mm pitch Housing

Reference Informations:

- *Material: Nylon 66,UL94V-2
- *Suitable A3960 series Terminal
- *Mates with A5081 series Wafer

	A5081H-05P	N	2	N	NP	N	10	G
		①	②	③	④	⑤	⑥	⑦
① N=Halogen Free ② Material: 2=Nylon 66-V2 ③ Color: N=Natural(Translucent) ④ Plating code: NP=Non-plating ⑤ Plating code: N=Non-plating ⑥ Option code: 10=With ramp, 20=Without ramp ⑦ Packing code: G=Bag								



Ordering Information & Dimensions:

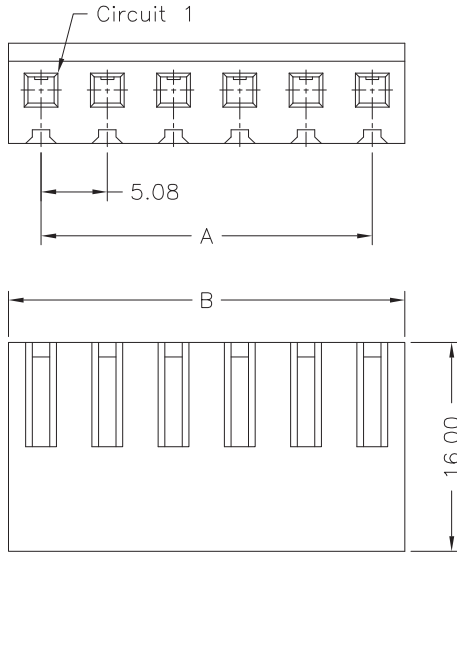
PART NO.	Dimensions	
	A	B
A5081H-02P	5.08	10.08
A5081H-03P	10.16	15.16
A5081H-04P	15.24	20.24
A5081H-05P	20.32	25.32
A5081H-06P	25.40	30.40
A5081H-07P	30.48	35.48
A5081H-08P	35.56	40.56
A5081H-09P	40.64	45.64
A5081H-10P	45.72	50.72
A5081H-11P	50.80	55.80
A5081H-12P	55.88	60.88
A5081H-13P	60.96	65.96
A5081H-14P	66.04	71.04
A5081H-15P	71.12	76.12
A5081H-16P	76.20	81.20
A5081H-17P	81.28	86.28
A5081H-18P	86.36	91.36
A5081H-19P	91.44	96.44
A5081H-20P	96.52	101.52

Unit:mm

Ordering Information:

A5081H-XP-*

- 1.Part No.
2.Style:
1-Type 1
2-Type 2



A
B
C
F
ST
HRJ
DC

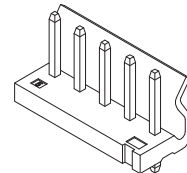
A5081WV

5.08mm pitch 180° Wafer

Reference Informations:

- *Material: Pin: Brass/Tin-plated
Wafer: Nylon 66,UL94V-2
- *Mates with A5081 series Housing

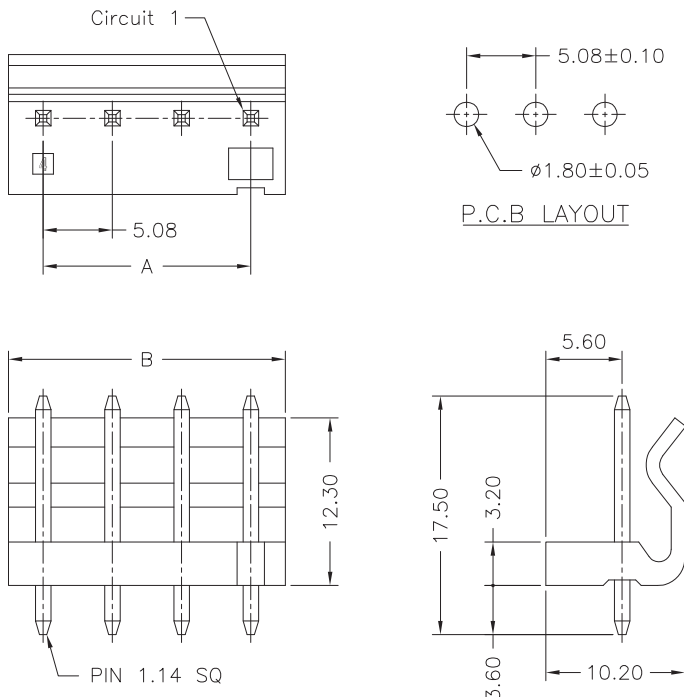
	A5081WV-05P	N	2	N	T1	N	00	G
		①	②	③	④	⑤	⑥	⑦
① N=Halogen Free ② Material: 2=Nylon 66-V2 ③ Color: N=Natural(Translucent) ④ Plating code: T1=Tin-plated ⑤ Plating code: N=Non-plating ⑥ Option code: 00=Standard ⑦ Packing code: G=Bag								



Ordering Information & Dimensions:

PART NO.	Dimensions	
	A	B
A5081WV-02P	5.08	10.16
A5081WV-03P	10.16	15.24
A5081WV-04P	15.24	20.32
A5081WV-05P	20.32	25.40
A5081WV-06P	25.40	30.48
A5081WV-07P	30.48	35.56
A5081WV-08P	35.56	40.64
A5081WV-09P	40.64	45.72
A5081WV-10P	45.72	50.80
A5081WV-11P	50.80	55.88
A5081WV-12P	55.88	60.96
A5081WV-13P	60.96	65.04
A5081WV-14P	66.04	71.12
A5081WV-15P	71.12	76.20
A5081WV-16P	76.20	81.28
A5081WV-17P	81.28	86.36
A5081WV-18P	86.36	91.44
A5081WV-19P	91.44	96.52
A5081WV-20P	96.52	101.60

Unit:mm



A5081 SERIES

5.08mm pitch wire to board connector

A5081WR

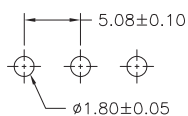
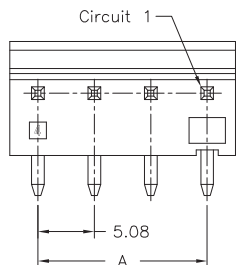
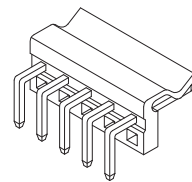
5.08mm pitch 90° Wafer

Reference Informations:

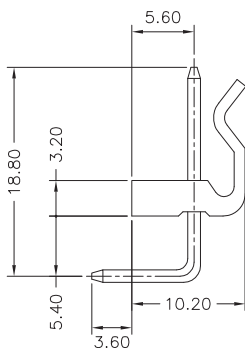
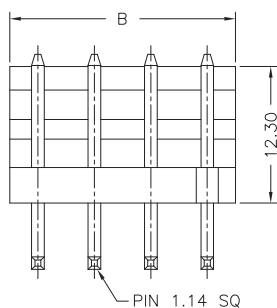
- *Material: Pin: Brass/Tin-plated
Wafer: Nylon 66,UL94V-2
- *Mates with A5081 series Housing

	A5081WR-05P						
	N	2	N	T1	N	00	G
①	②	③	④	⑤	⑥	⑦	

- N=Halogen Free
- Material: 2=Nylon 66-V2
- Color: N=Natural(Translucent)
- Plating code: T1=Tin-plated
- Plating code: N=Non-plating
- Option code: 00=Standard
- Packing code: G=Bag



P.C.B. LAYOUT



Ordering Information & Dimensions:

PART NO.	Dimensions	
	A	B
A5081WR-02P	5.08	10.16
A5081WR-03P	10.16	15.24
A5081WR-04P	15.24	20.32
A5081WR-05P	20.32	25.40
A5081WR-06P	25.40	30.48
A5081WR-07P	30.48	35.56
A5081WR-08P	35.56	40.64
A5081WR-09P	40.64	45.72
A5081WR-10P	45.72	50.80
A5081WR-11P	50.80	55.88
A5081WR-12P	55.88	60.96
A5081WR-13P	60.96	65.04
A5081WR-14P	66.04	71.12
A5081WR-15P	71.12	76.20
A5081WR-16P	76.20	81.28
A5081WR-17P	81.28	86.36
A5081WR-18P	86.36	91.44
A5081WR-19P	91.44	96.52
A5081WR-20P	96.52	101.60

Unit:mm

A
B
C
F
ST
HRJ
DC

A5081WVA

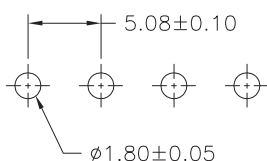
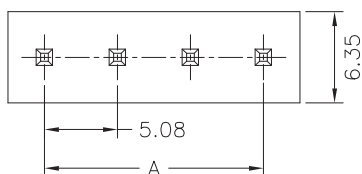
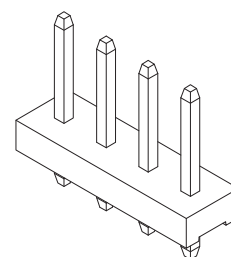
5.08mm pitch 180° Wafer

Reference Informations:

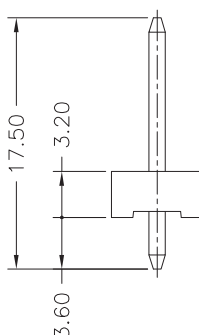
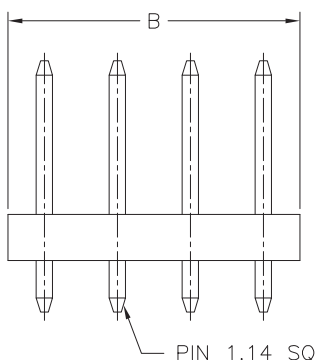
- *Material: Pin: Brass/Tin-plated
Wafer: Nylon 66,UL94V-2
- *Mates with A5081 series Housing

	A5081WVA-05P						
	N	2	N	T1	N	00	G
①	②	③	④	⑤	⑥	⑦	

- N=Halogen Free
- Material: 2=Nylon 66-V2
- Color: N=Natural(Translucent)
- Plating code: T1=Tin-plated
- Plating code: N=Non-plating
- Option code: 00=Standard
- Packing code: G=Bag



P.C.B. LAYOUT



Ordering Information & Dimensions:

PART NO.	Dimensions	
	A	B
A5081WVA-02P	5.08	10.16
A5081WVA-03P	10.16	15.24
A5081WVA-04P	15.24	20.32
A5081WVA-05P	20.32	25.40
A5081WVA-06P	25.40	30.48
A5081WVA-07P	30.48	35.56
A5081WVA-08P	35.56	40.64
A5081WVA-09P	40.64	45.72

Unit:mm

A5081 SERIES

5.08mm pitch wire to board connector

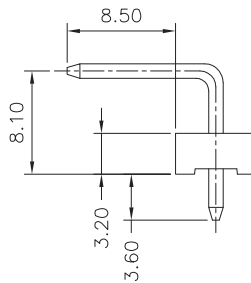
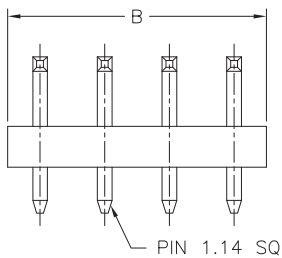
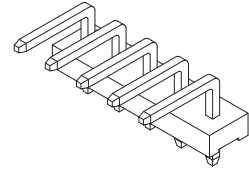
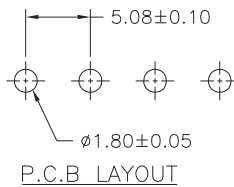
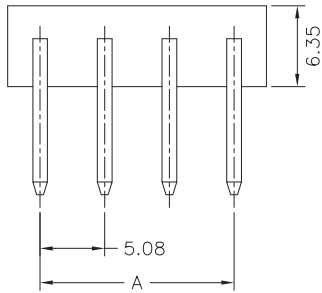
A5081WRA

5.08mm pitch 90° Wafer

Reference Informations:

- *Material: Pin: Brass/Tin-plated
Wafer: Nylon 66,UL94V-2
- *Mates with A5081 series Housing

	A5081WRA-05P						
	N	2	N	T1	N	00	G
①	②	③	④	⑤	⑥	⑦	
①	N=Halogen Free						
②	Material: 2=Nylon 66-V2						
③	Color: N=Natural(Translucent)						
④	Plating code: T1=Tin-plated						
⑤	Plating code: N=Non-plating						
⑥	Option code: 00=Standard						
⑦	Packing code: G=Bag						



Ordering Information & Dimensions:

PART NO.	Dimensions	
	A	B
A5081WRA-02P	5.08	10.16
A5081WRA-03P	10.16	15.24
A5081WRA-04P	15.24	20.32
A5081WRA-05P	20.32	25.40
A5081WRA-06P	25.40	30.48
A5081WRA-07P	30.48	35.56
A5081WRA-08P	35.56	40.64
A5081WRA-09P	40.64	45.72

Unit:mm

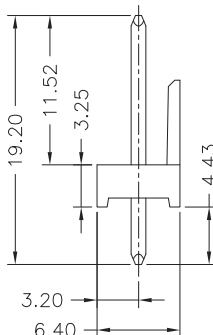
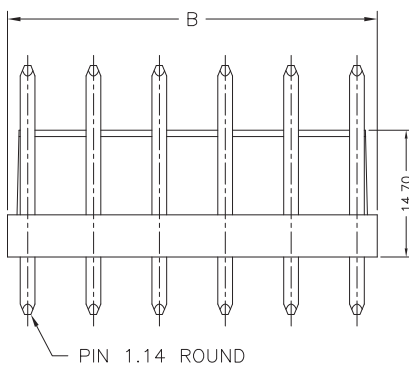
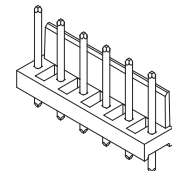
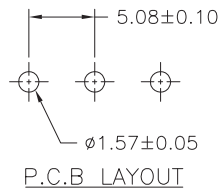
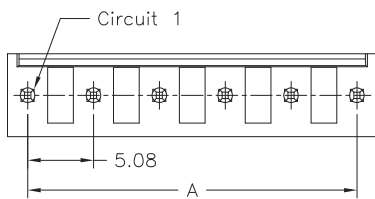
A5081WVB

5.08mm pitch 180° Wafer

Reference Informations:

- *Material: Pin: Brass/Tin-plated
Wafer: Nylon 66,UL94V-2
- *Mates with A5081 series Housing

	A5081WVB-05P						
	N	2	N	T1	N	00	G
①	②	③	④	⑤	⑥	⑦	
①	N=Halogen Free						
②	Material: 2=Nylon 66-V2						
③	Color: N=Natural(Translucent)						
④	Plating code: T1=Tin-plated						
⑤	Plating code: N=Non-plating						
⑥	Option code: 00=Standard						
⑦	Packing code: G=Bag						



Ordering Information & Dimensions:

PART NO.	Dimensions	
	A	B
A5081WVB-02P	5.08	8.20
A5081WVB-03P	10.16	13.28
A5081WVB-04P	15.24	18.36
A5081WVB-05P	20.32	23.44
A5081WVB-06P	25.40	28.52
A5081WVB-07P	30.48	33.60
A5081WVB-08P	35.56	38.68
A5081WVB-09P	40.64	43.76
A5081WVB-10P	45.72	48.84
A5081WVB-11P	50.80	53.92
A5081WVB-12P	55.88	59.00
A5081WVB-13P	60.96	64.08
A5081WVB-14P	66.04	69.16
A5081WVB-15P	71.12	74.24
A5081WVB-16P	76.20	79.32
A5081WVB-17P	81.28	84.40

Unit:mm

A5081 SERIES

5.08mm pitch wire to board connector

A5081WV

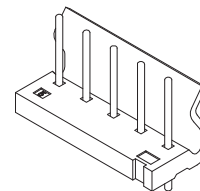
5.08mm pitch 180° Wafer, Round Pin

Reference Informations:

- *Material: Pin: Brass/Tin-plated
Wafer: Nylon 66,UL94V-2
- *Mates with A5081 series Housing

	A5081WV-05P						
	N	2	N	T1	N	R0	G
	①	②	③	④	⑤	⑥	⑦

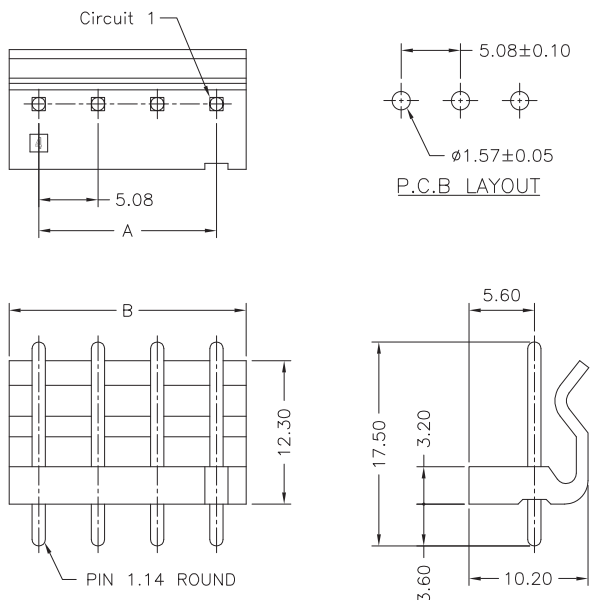
① N=Halogen Free
② Material: 2=Nylon 66-V2
③ Color: N=Natural(Translucent)
④ Plating code: T1=Tin-plated
⑤ Plating code: N=Non-plating
⑥ Option code: R0=Round pin
⑦ Packing code: G=Bag



Ordering Information & Dimensions:

PART NO.	Dimensions	
	A	B
A5081WV-02PR	5.08	10.16
A5081WV-03PR	10.16	15.24
A5081WV-04PR	15.24	20.32
A5081WV-05PR	20.32	25.40
A5081WV-06PR	25.40	30.48
A5081WV-07PR	30.48	35.56
A5081WV-08PR	35.56	40.64
A5081WV-09PR	40.64	45.72
A5081WV-10PR	45.72	50.80
A5081WV-11PR	50.80	55.88
A5081WV-12PR	55.88	60.96
A5081WV-13PR	60.96	66.04
A5081WV-14PR	66.04	71.12
A5081WV-15PR	71.12	76.20
A5081WV-16PR	76.20	81.28
A5081WV-17PR	81.28	86.36
A5081WV-18PR	86.36	91.44
A5081WV-19PR	91.44	96.52
A5081WV-20PR	96.52	101.60

Unit:mm



A
B
C
F
ST
HRJ
DC

A5081WVA

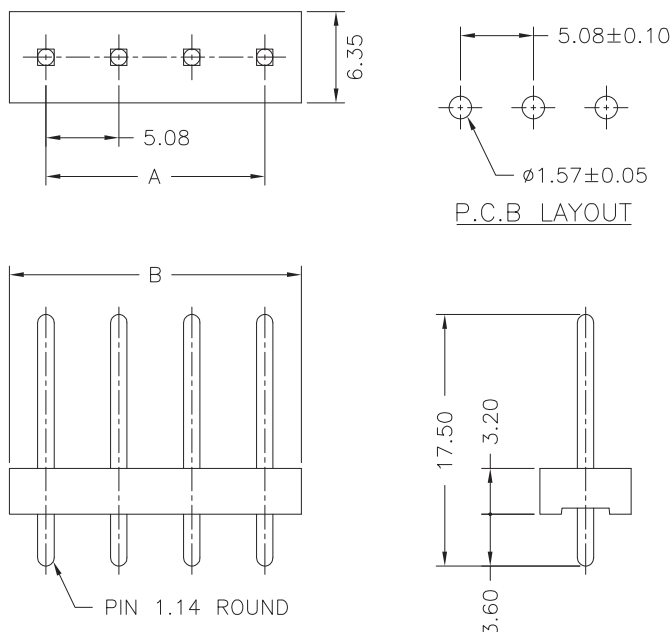
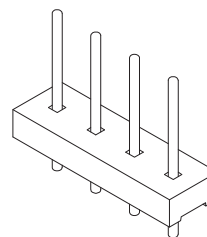
5.08mm pitch 180° Wafer, Round Pin

Reference Informations:

- *Material: Pin: Brass/Tin-plated
Wafer: Nylon 66,UL94V-2
- *Mates with A5081 series Housing

	A5081WVA-05P						
	N	2	N	T1	N	R0	G
	①	②	③	④	⑤	⑥	⑦

① N=Halogen Free
② Material: 2=Nylon 66-V2
③ Color: N=Natural(Translucent)
④ Plating code: T1=Tin-plated
⑤ Plating code: N=Non-plating
⑥ Option code: R0=Round pin
⑦ Packing code: G=Bag



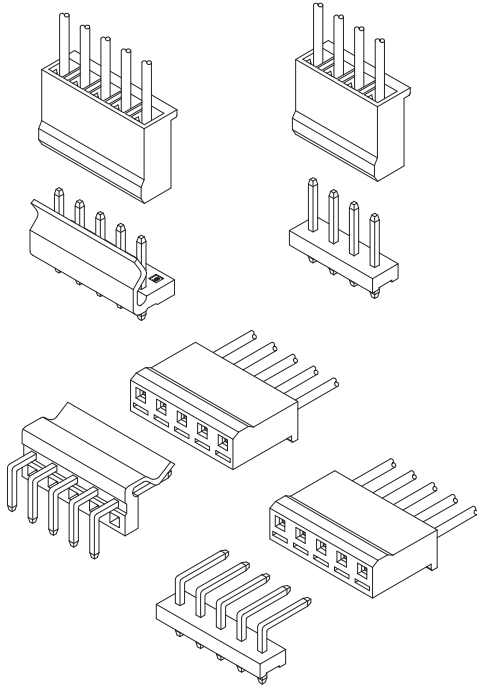
Ordering Information & Dimensions:

PART NO.	Dimensions	
	A	B
A5081WVA-02PR	5.08	10.16
A5081WVA-03PR	10.16	15.24
A5081WVA-04PR	15.24	20.32
A5081WVA-05PR	20.32	25.40
A5081WVA-06PR	25.40	30.48
A5081WVA-07PR	30.48	35.56
A5081WVA-08PR	35.56	40.64
A5081WVA-09PR	40.64	45.72

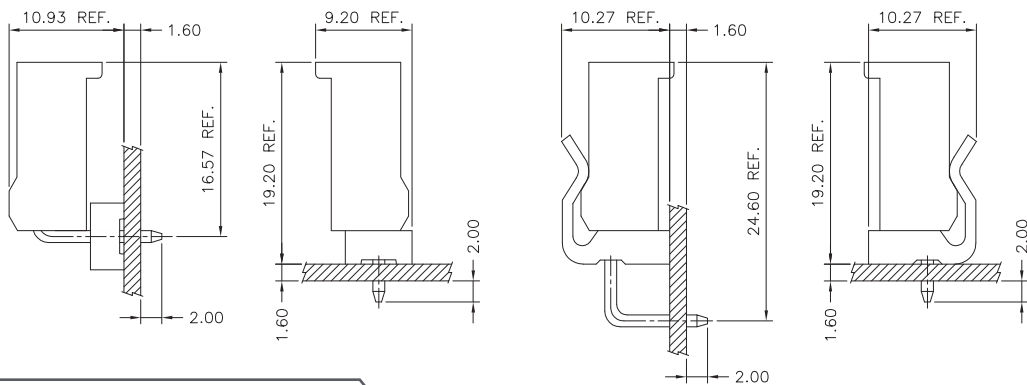
Unit:mm

Specifications

Current rating: 7A AC,DC
 Voltage rating: 250V AC,DC
 Temperature range: -25°C ~ +85°C
 Contact resistance: 10mΩ Max.
 Insulation resistance: 1000MΩ Min.
 Withstanding voltage: 1500V AC/minute



Assembly layout



Ordering code

① A5082 ② H-③ 05P

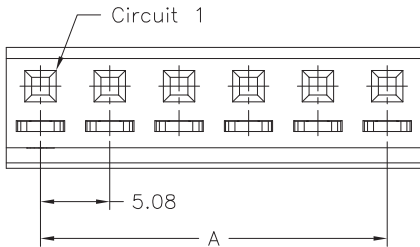
- ① Series No.
- ② H=Housing
- ③ No. of circuits

A5082H

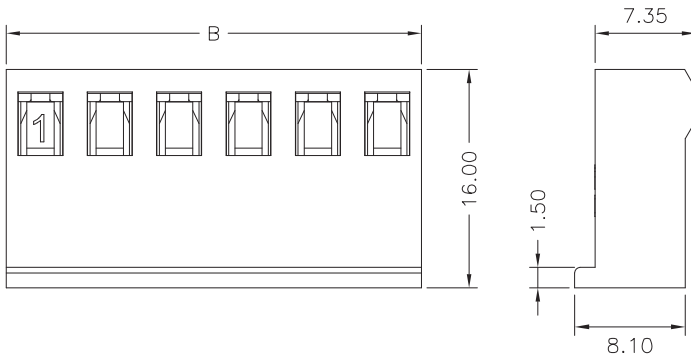
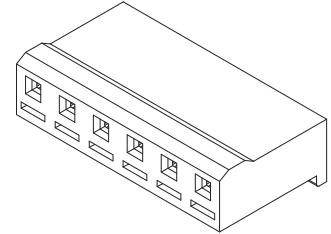
5.08mm pitch Housing

Reference Informations:

- *Material: Nylon 66,UL94V-2
- *Suitable A3962 series Terminal
- *Mates with A5081 series Wafer



	A5082H-05P						
	N	2	N	NP	N	00	G
①	②	③	④	⑤	⑥	⑦	
① N=Halogen Free ② Material: 2=Nylon 66-V2 ③ Color: N=Natural(Translucent) ④ Plating code: NP=Non-plating ⑤ Plating code: N=Non-plating ⑥ Option code: 00=Standard ⑦ Packing code: G=Bag							



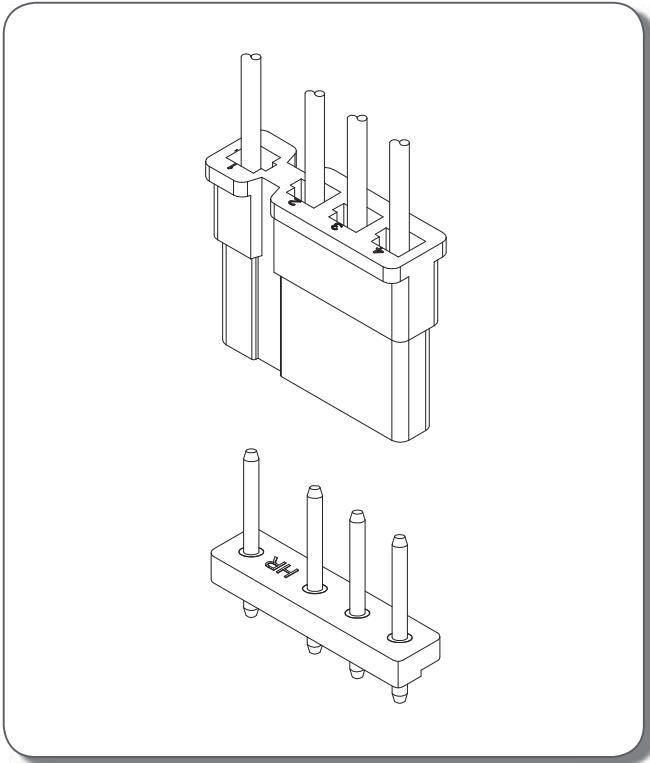
Ordering Information & Dimensions:

PART NO.	Dimensions	
	A	B
A5082H-02P	5.08	10.08
A5082H-03P	10.16	15.16
A5082H-04P	15.24	20.24
A5082H-05P	20.32	25.32
A5082H-06P	25.40	30.40
A5082H-07P	30.48	35.48
A5082H-08P	35.56	40.56
A5082H-09P	40.64	45.64

Unit:mm

A
B
C
F
ST
HRJ
DC

A
B
C
F
ST
HRJ
DC



Specifications

Current rating: 7A AC,DC
 Voltage rating: 250V AC,DC
 Temperature range: -25°C ~ +85°C
 Contact resistance: 10mΩ Max.
 Insulation resistance: 1000MΩ Min.
 Withstanding voltage: 1500V AC/minute

Standards



E179987

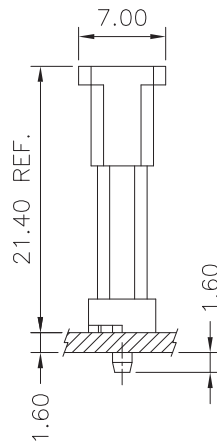


LR113464



R 3-50004394

Assembly layout



Ordering code

① ② ③ ④
A7500-T B E

- ① Series No.
- ② Plating code: T=Tin-plated
- ③ Material: B=Brass
- ④ E=Stamping before plating

① ② ③ ④
A7500 H-05P -BK

- ① Series No.
- ② H=Housing
- ③ No. of circuits
- ④ Option code:
-BK=Black

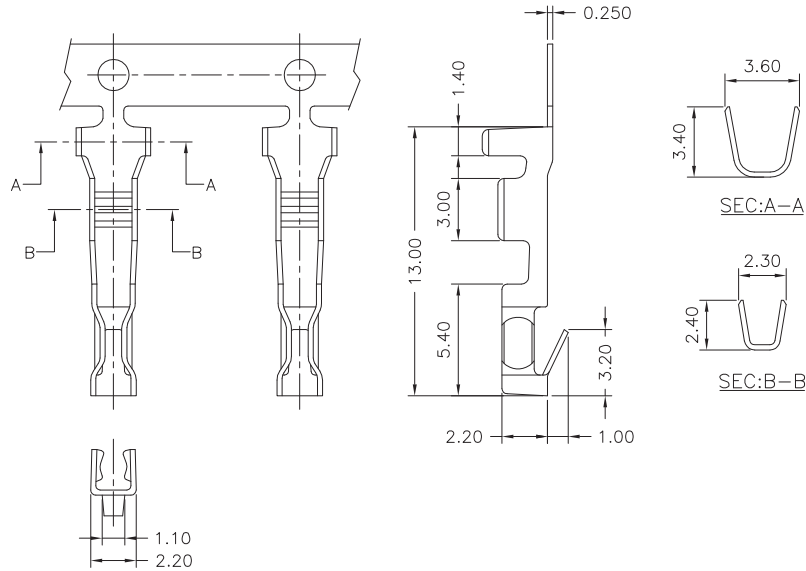
① ② ③ ④
A7500 WV-05P BK

- ① Series No.
- ② Connector type: WV=Vertical
- ③ No. of circuits
- ④ Option code:
BK=Black

A7500-T — 7.50-5.00mm pitch Crimp Terminal

Reference Informations:

*Used in A7500 series Housing



A
B
C
F
ST
HRJ
DC

Ordering Information & Specifications:

Unit:mm

Part No.	Wire Range	Insulation O.D.	Material	Finish	Qty/reel
A7500-TBE	AWG#18-#24	2.70mm(max)	Brass	Tin-plated	6,000pcs

Note:E-Stamping before Tin-plated

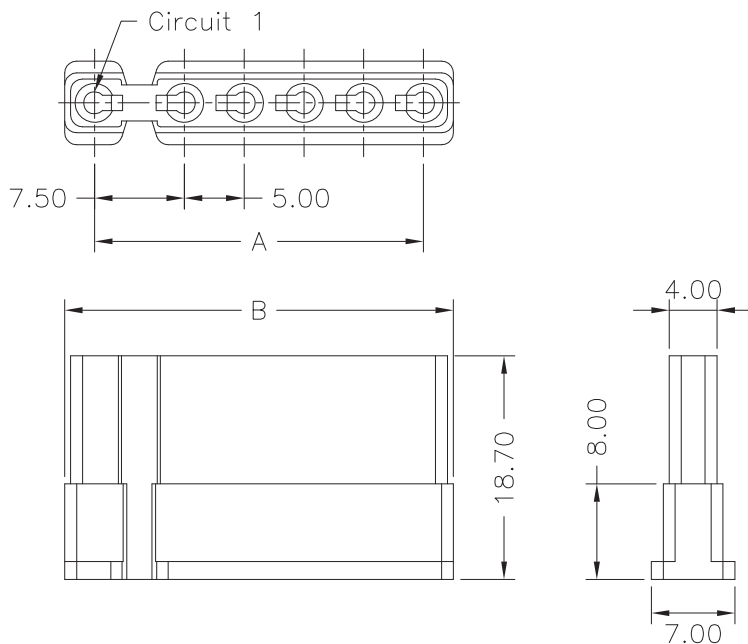
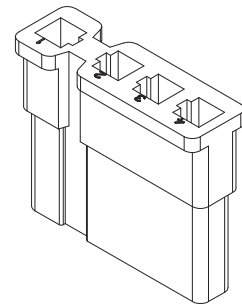
A7500H — 7.50-5.00mm pitch Housing

Reference Informations:

*Material: Nylon 66,UL94V-0

*Suitable A7500 series Terminal

*Mates with A7500 series Wafer



	A7500H-05P	N	0	W	NP	N	00	G
		①	②	③	④	⑤	⑥	⑦

① N=Halogen Free
 ② Material: 0=Nylon 66-V0
 ③ Color: W=White
 ④ Plating code: NP=Non-plating
 ⑤ Plating code: N=Non-plating
 ⑥ Option code: 00=Standard
 ⑦ Packing code: G=Bag

Ordering Information & Dimensions:

PART NO.	Dimensions	
	A	B
A7500H-01P	---	6.30
A7500H-02P	7.50	12.50
A7500H-03P	12.50	17.50
A7500H-04P	17.50	22.50
A7500H-05P	22.50	27.50
A7500H-06P	27.50	32.50

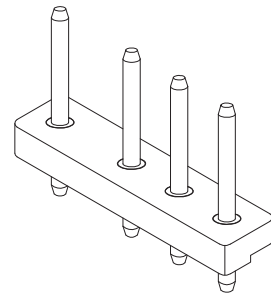
Unit:mm

A7500WV

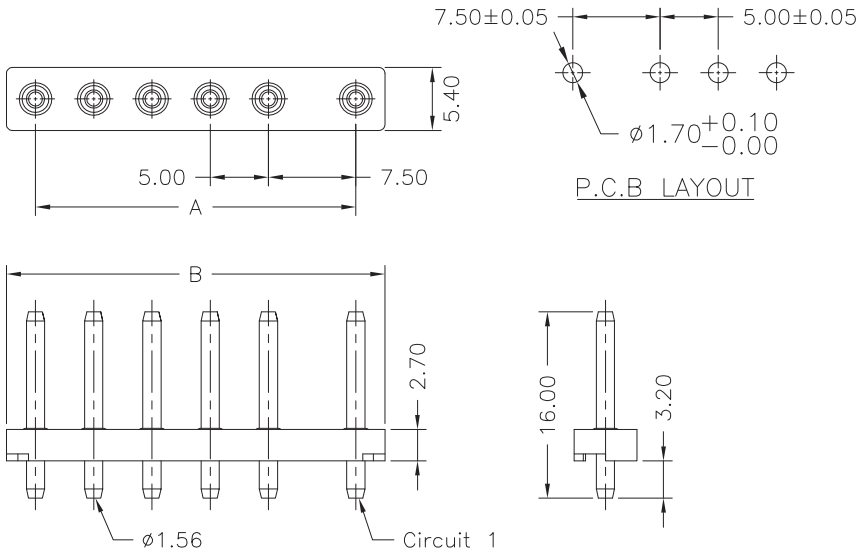
7.50-5.00mm pitch 180° Wafer

Reference Informations:

- *Material: Pin: Brass/Tin-plated
Wafer: Nylon 66,UL94V-0
- *Mates with A7500 series Housing



A
B
C
F
ST
HRJ
DC



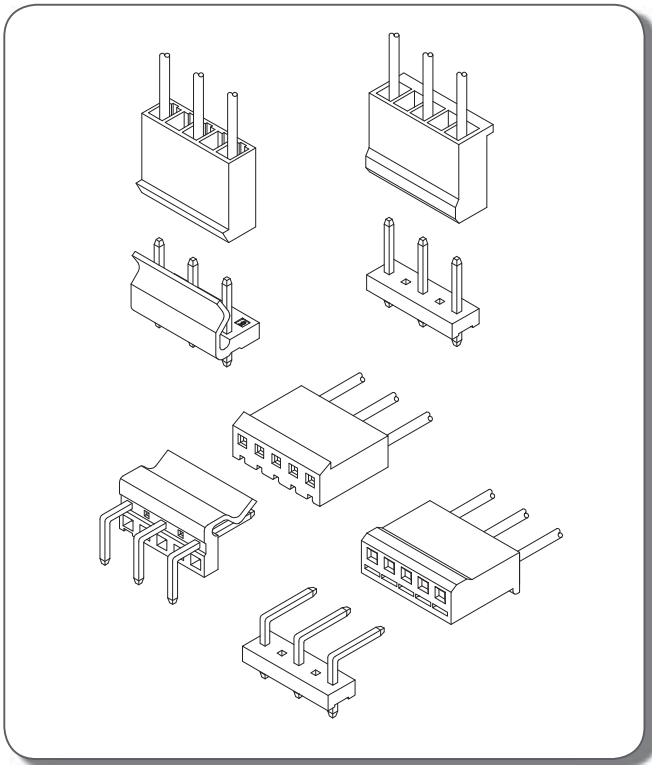
	A7500WV-05P						
	N	0	W	T1	N	00	G
	①	②	③	④	⑤	⑥	⑦
① N=Halogen Free ② Material: 0=Nylon 66-V0 ③ Color: W=White ④ Plating code: T1=Tin-plated ⑤ Plating code: N=Non-plating ⑥ Option code: 00=Standard ⑦ Packing code: G=Bag							

Ordering Information & Dimensions:

PART NO.	Dimensions	
	A	B
A7500WV-01P	---	5.00
A7500WV-02P	7.50	12.50
A7500WV-03P	12.50	17.50
A7500WV-04P	17.50	22.50
A7500WV-05P	22.50	27.50
A7500WV-06P	27.50	32.50

Unit:mm

1.25mm pitch Crimp Terminal



Specifications

Current rating: 7A AC,DC
 Voltage rating: 250V AC,DC
 Temperature range: -25°C ~ +85°C
 Contact resistance: 10mΩ Max.
 Insulation resistance: 1000MΩ Min.
 Withstanding voltage: 1500V AC/minute

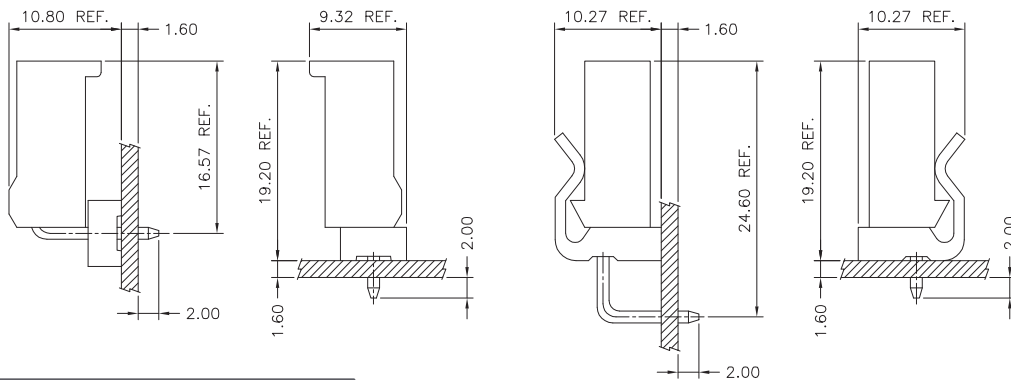
A
B
C
F
ST
HRJ
DC

Assembly layout

Standards



E179987



Ordering code

① A7920 ② WV ③ A-05P ④ R

- ① Series No.
- ② Connector type: WV=Vertical, WR=Right angle
- ③ Blank=With locking ramp
A=Without locking ramp
- ④ No. of circuits
- ⑤ Option code:
R=Round pin(Vertical type only)
V0=UL94V-0, White
BK=UL94V-2, Black
46G=Nylon 46, Gold-flash

A7920 SERIES

7.92mm pitch wire to board connector

A7920WV

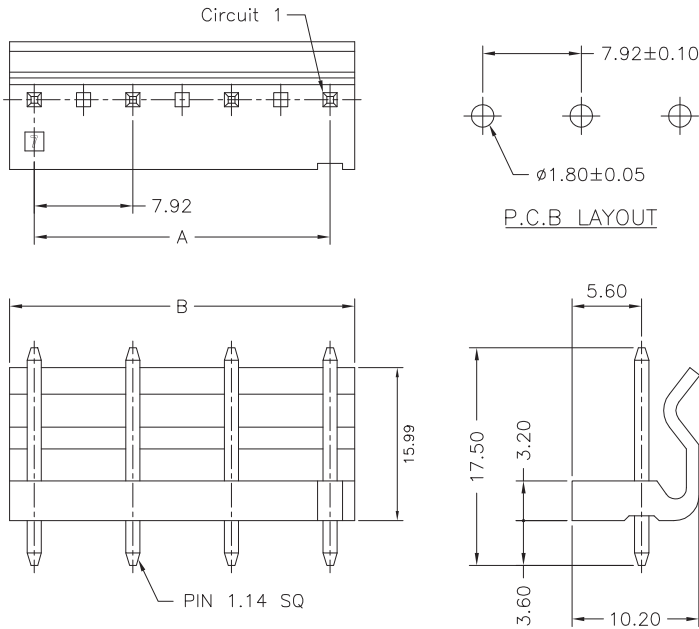
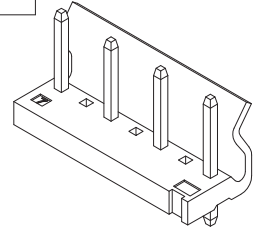
7.92mm pitch 180° Wafer

Reference Informations:

- *Material: Pin: Brass/Tin-plated
Wafer: Nylon 66,UL94V-2
- *Mates with A3960 or A3962 series Housing
- *Nylon 46 is available

	A7920WV-05P	N	2	N	T1	N	00	G
		①	②	③	④	⑤	⑥	⑦

① N=Halogen Free
 ② Material: 2=Nylon 66-V2
 ③ Color: N=Natural(Translucent)
 ④ Plating code: T1=Tin-plated
 ⑤ Plating code: N=Non-plating
 ⑥ Option code: 00=Standard
 ⑦ Packing code: G=Bag



Ordering Information & Dimensions:

PART NO.	Dimensions	
	A	B
A7920WV-02P	7.92	11.88
A7920WV-03P	15.84	19.80
A7920WV-04P	23.76	27.72
A7920WV-05P	31.68	35.64
A7920WV-06P	39.60	43.56
A7920WV-07P	47.52	51.48
A7920WV-08P	55.44	59.40
A7920WV-09P	63.36	67.32
A7920WV-10P	71.28	75.24

Unit:mm

A7920WR

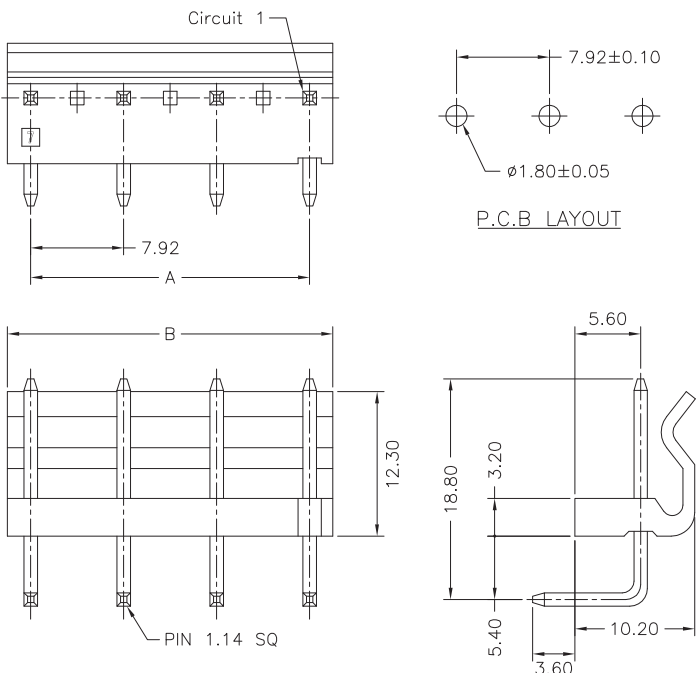
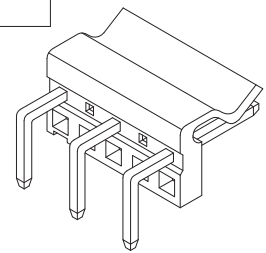
7.92mm pitch 90° Wafer

Reference Informations:

- *Material: Pin: Brass/Tin-plated
Wafer: Nylon 66,UL94V-2
- *Mates with A3960 or A3962 series Housing
- *Nylon 46 is available

	A7920WR-05P	N	2	N	T1	N	00	G
		①	②	③	④	⑤	⑥	⑦

① N=Halogen Free
 ② Material: 2=Nylon 66-V2
 ③ Color: N=Natural(Translucent)
 ④ Plating code: T1=Tin-plated
 ⑤ Plating code: N=Non-plating
 ⑥ Option code: 00=Standard
 ⑦ Packing code: G=Bag



Ordering Information & Dimensions:

PART NO.	Dimensions	
	A	B
A7920WR-02P	7.92	11.88
A7920WR-03P	15.84	19.80
A7920WR-04P	23.76	27.72
A7920WR-05P	31.68	35.64
A7920WR-06P	39.60	43.56
A7920WR-07P	47.52	51.48
A7920WR-08P	55.44	59.40
A7920WR-09P	63.36	67.32
A7920WR-10P	71.28	75.24

Unit:mm

A7920 SERIES

7.92mm pitch wire to board connector

A7920WVA

7.92mm pitch 180° Wafer

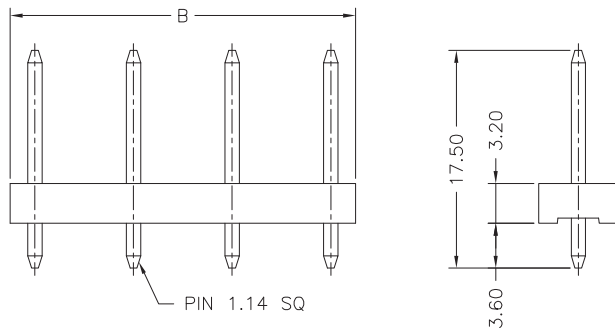
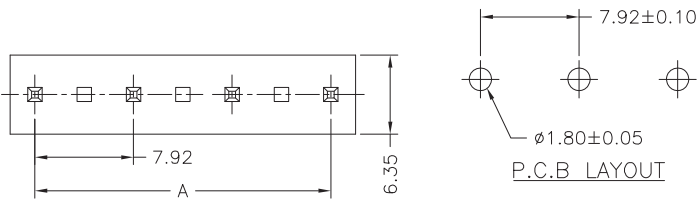
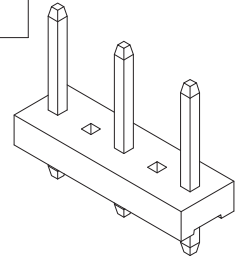
Reference Informations:

*Material: Pin: Brass/Tin-plated

Wafer: Nylon 66,UL94V-2

*Mates with A3960 or A3962 series Housing

	A7920WVA-05P						
	N	2	N	T1	N	00	G
①	②	③	④	⑤	⑥	⑦	
① N=Halogen Free ② Material: 2=Nylon 66-V2 ③ Color: N=Natural(Translucent) ④ Plating code: T1=Tin-plated ⑤ Plating code: N=Non-plating ⑥ Option code: 00=Standard ⑦ Packing code: G=Bag							



Ordering Information & Dimensions:

PART NO.	Dimensions	
	A	B
A7920WVA-02P	7.92	11.88
A7920WVA-03P	15.84	19.80
A7920WVA-04P	23.76	27.72
A7920WVA-05P	31.68	35.64
A7920WVA-06P	39.60	43.56
A7920WVA-07P	47.52	51.48
A7920WVA-08P	55.44	59.40
A7920WVA-09P	63.36	67.32
A7920WVA-10P	71.28	75.24

Unit:mm

A7920WRA

7.92mm pitch 90° Wafer

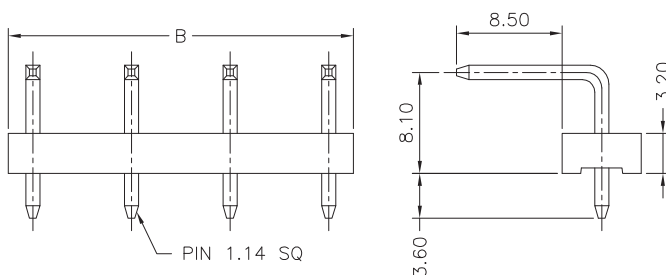
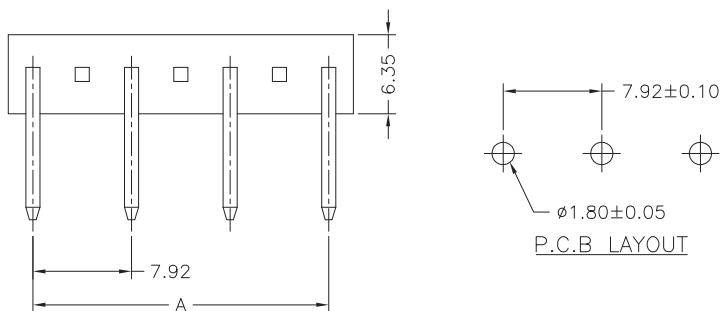
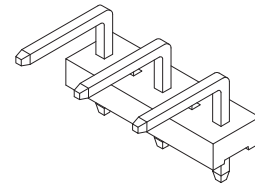
Reference Informations:

*Material: Pin: Brass/Tin-plated

Wafer: Nylon 66,UL94V-2

*Mates with H.R A3960 or A3962 series Housing

	A7920WRA-05P						
	N	2	N	T1	N	00	G
①	②	③	④	⑤	⑥	⑦	
① N=Halogen Free ② Material: 2=Nylon 66-V2 ③ Color: N=Natural(Translucent) ④ Plating code: T1=Tin-plated ⑤ Plating code: N=Non-plating ⑥ Option code: 00=Standard ⑦ Packing code: G=Bag							



Ordering Information & Dimensions:

PART NO.	Dimensions	
	A	B
A7920WRA-02P	7.92	11.88
A7920WRA-03P	15.84	19.80
A7920WRA-04P	23.76	27.72
A7920WRA-05P	31.68	35.64
A7920WRA-06P	39.60	43.56
A7920WRA-07P	47.52	51.48
A7920WRA-08P	55.44	59.40
A7920WRA-09P	63.36	67.32
A7920WRA-10P	71.28	75.24

Unit:mm

A
B
C
F
ST
HRJ
DC

A7920 SERIES

7.92mm pitch wire to board connector

A7920WV

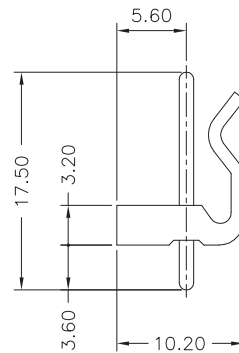
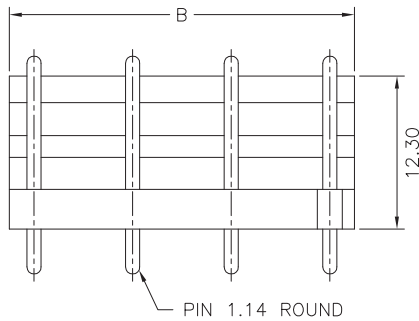
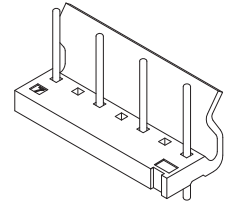
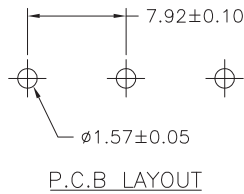
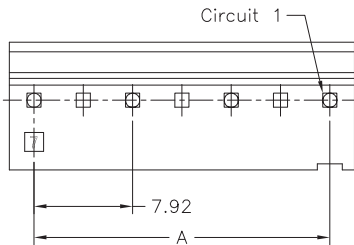
—7.92mm pitch 180° Wafer, Round Pin—

Reference Informations:

- *Material: Pin: Brass/Tin-plated
Wafer: Nylon 66,UL94V-2
- *Mates with H.R A3960 or A3962 series Housing
- *Nylon 46 is available

	A7920WV-05P	N	2	N	T1	N	R0	G
		①	②	③	④	⑤	⑥	⑦

① N=Halogen Free
② Material: 2=Nylon 66-V2
③ Color: N=Natural(Translucent)
④ Plating code: T1=Tin-plated
⑤ Plating code: N=Non-plating
⑥ Option code: R0=Round pin
⑦ Packing code: G=Bag



Ordering Information & Dimensions:

PART NO.	Dimensions	
	A	B
A7920WV-02PR	7.92	11.88
A7920WV-03PR	15.84	19.80
A7920WV-04PR	23.76	27.72
A7920WV-05PR	31.68	35.64
A7920WV-06PR	39.60	43.56
A7920WV-07PR	47.52	51.48
A7920WV-08PR	55.44	59.40
A7920WV-09PR	63.36	67.32
A7920WV-10PR	71.28	75.24

Unit:mm

A7920WVA

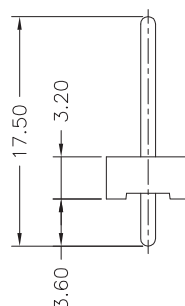
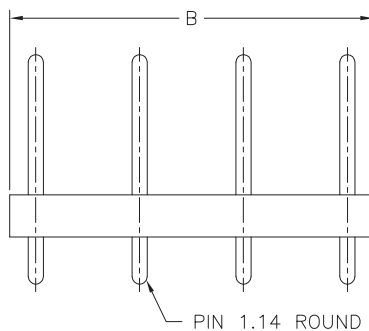
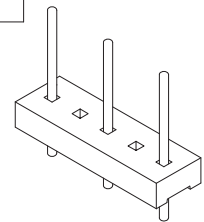
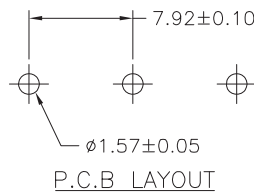
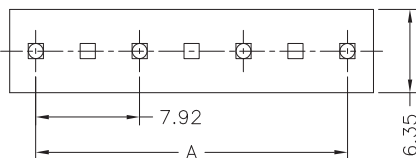
—7.92mm pitch 180° Wafer, Round Pin—

Reference Informations:

- *Material: Pin: Brass/Tin-plated
Wafer: Nylon 66,UL94V-2
- *Mates with H.R A3960 or A3962 series Housing

	A7920WVA-05P	N	2	N	T1	N	R0	G
		①	②	③	④	⑤	⑥	⑦

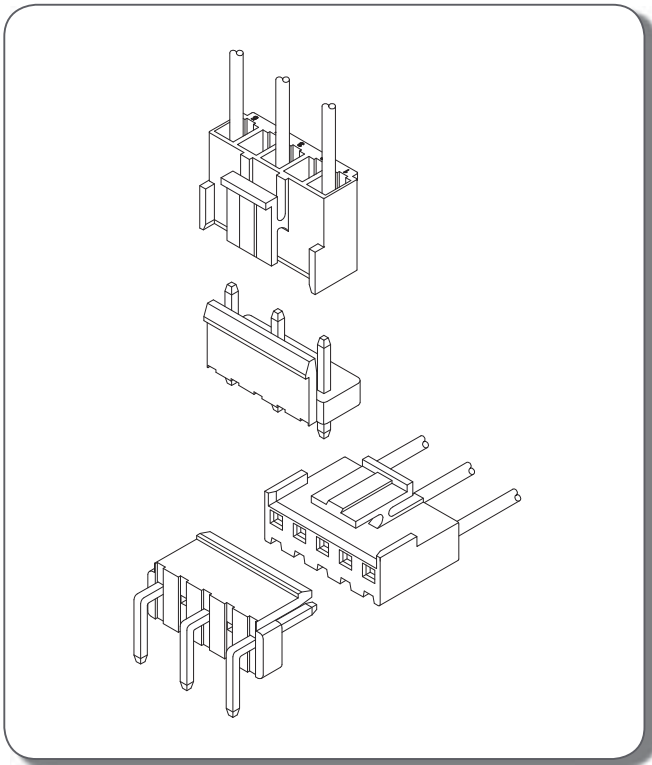
① N=Halogen Free
② Material: 2=Nylon 66-V2
③ Color: N=Natural(Translucent)
④ Plating code: T1=Tin-plated
⑤ Plating code: N=Non-plating
⑥ Option code: R0=Round pin
⑦ Packing code: G=Bag



Ordering Information & Dimensions:

PART NO.	Dimensions	
	A	B
A7920WVA-02PR	7.92	11.88
A7920WVA-03PR	15.84	19.80
A7920WVA-04PR	23.76	27.72
A7920WVA-05PR	31.68	35.64
A7920WVA-06PR	39.60	43.56
A7920WVA-07PR	47.52	51.48
A7920WVA-08PR	55.44	59.40
A7920WVA-09PR	63.36	67.32
A7920WVA-10PR	71.28	75.24

Unit:mm



Specifications

Current rating: 7A AC,DC
 Voltage rating: 250V AC,DC
 Temperature range: -25°C ~ +85°C
 Contact resistance: 10mΩ Max.
 Insulation resistance: 1000MΩ Min.
 Withstanding voltage: 1500V AC/minute
 Contact H.R for details

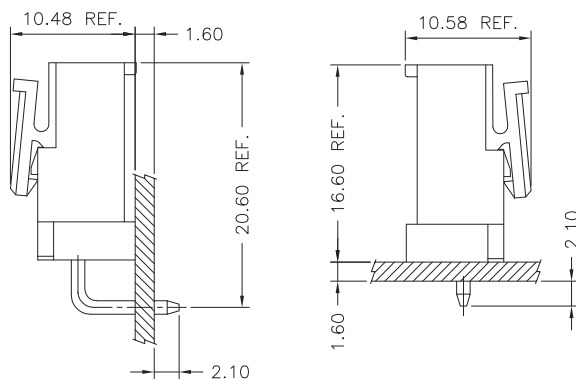
A
B
C
F
ST
HRJ
DC

Standards



E179987

Assembly layout



Ordering code

① A7921 ② WV ③ -05P ④ 46G

- ① Series No.
- ② Connector type: WV=Vertical, WR=Right angle
- ③ No. of circuits
- ④ Option code:
46G=Nylon 46, Gold-flash

A7921 SERIES

7.92mm pitch wire to board connector

A7921WV

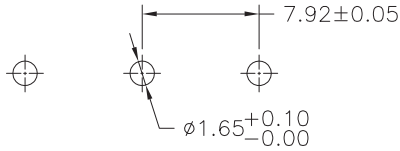
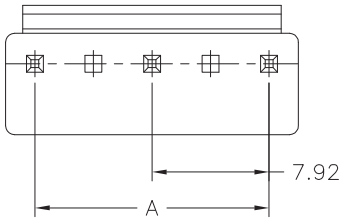
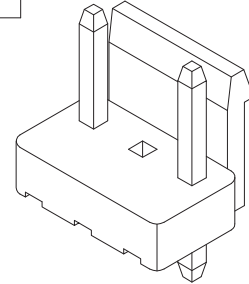
7.92mm pitch 180° Wafer

Reference Informations:

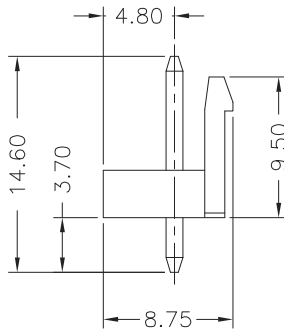
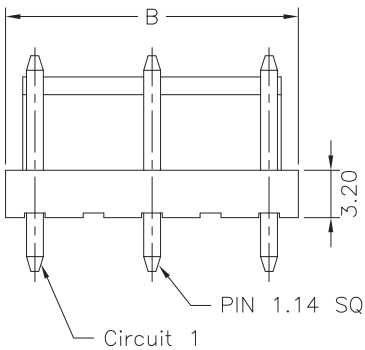
- *Material: Pin: Brass/Tin-plated
Wafer: Nylon 66,UL94V-0
- *Mates with A3961 series Housing
- *Nylon 46 is available

	A7921WV-05P	N	0	W	T1	N	00	G
		①	②	③	④	⑤	⑥	⑦

① N=Halogen Free
 ② Material: 0=Nylon 66-V0, 6=Nylon 6T
 ③ Color: W=White, B=Black
 ④ Plating code: T1=Tin-plated, G1=Gold-flash
 ⑤ Plating code: N=Non-plating
 ⑥ Option code: 00=Standard
 ⑦ Packing code: G=Bag



P.C.B. LAYOUT



Ordering Information & Dimensions:

PART NO.	Dimensions	
	A	B
A7921WV-02P	7.92	11.88
A7921WV-03P	15.84	19.80
A7921WV-04P	23.76	27.72
A7921WV-05P	31.68	35.64
A7921WV-06P	39.60	43.56
A7921WV-07P	47.52	51.48
A7921WV-08P	55.44	59.40

Unit:mm

A7921WR

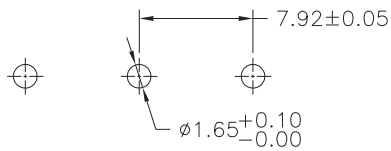
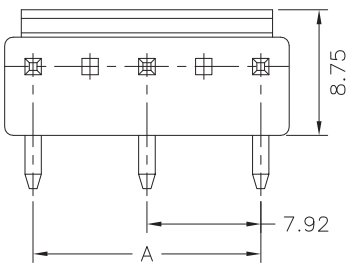
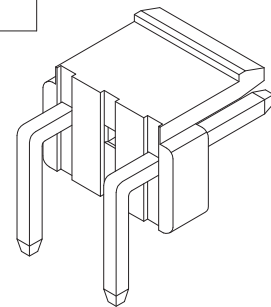
7.92mm pitch 90° Wafer

Reference Informations:

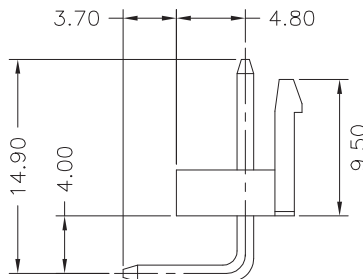
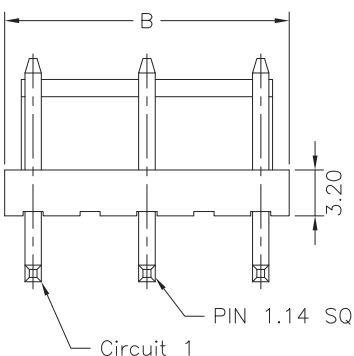
- *Material: Pin: Brass/Tin-plated
Wafer: Nylon 66,UL94V-0
- *Mates with A3961 series Housing
- *Nylon 46 is available

	A7921WR-05P	N	0	W	T1	N	00	G
		①	②	③	④	⑤	⑥	⑦

① N=Halogen Free
 ② Material: 0=Nylon 66-V0, 6=Nylon 6T
 ③ Color: W=White, B=Black
 ④ Plating code: T1=Tin-plated, G1=Gold-flash
 ⑤ Plating code: N=Non-plating
 ⑥ Option code: 00=Standard
 ⑦ Packing code: G=Bag



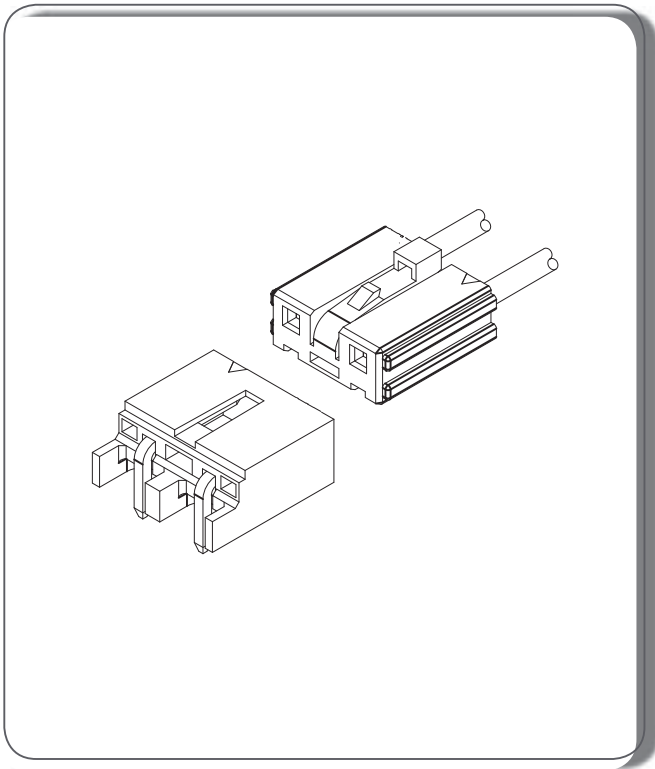
P.C.B. LAYOUT



Ordering Information & Dimensions:

PART NO.	Dimensions	
	A	B
A7921WR-02P	7.92	11.88
A7921WR-03P	15.84	19.80
A7921WR-04P	23.76	27.72
A7921WR-05P	31.68	35.64
A7921WR-06P	39.60	43.56
A7921WR-07P	47.52	51.48
A7921WR-08P	55.44	59.40

Unit:mm

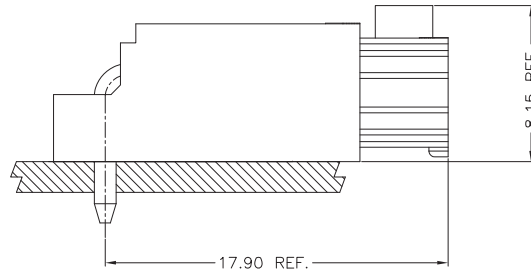


Specifications

Current rating: 7.5A AC,DC
Voltage rating: 250V AC,DC
Temperature range: -25°C ~ +85°C
Contact resistance: 20mΩ Max.
Insulation resistance: 1000MΩ Min.
Withstanding voltage: 1500V AC/minute

A
B
C
F
ST
HRJ
DC

Assembly layout



Ordering code

① A7922 ② H-③ 02P

- ① Series No.
- ② H=Housing
- ③ No. of circuits

① A7922 ② WR-③ 02P

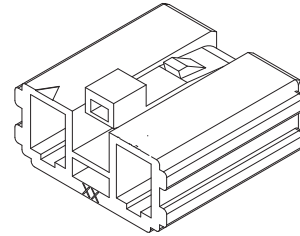
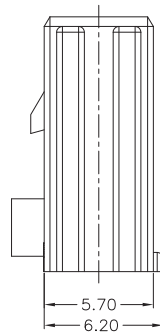
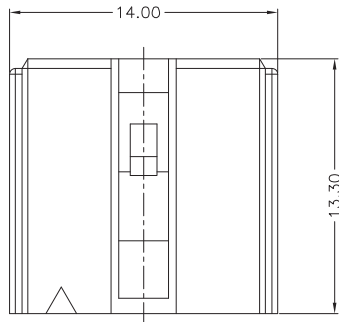
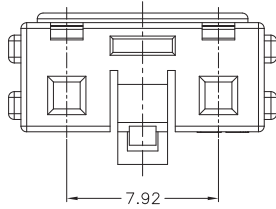
- ① Series No.
- ② Connector type: WR=Right angle
- ③ No. of circuits

A7922H

7.92mm pitch single row Housin

Reference Informations:

- *Material: Nylon 66,UL94V-0
- *Suitable A3960 series Terminal
- *Mates with A7922 serie Wafer



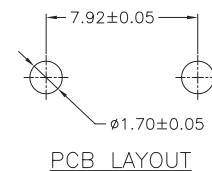
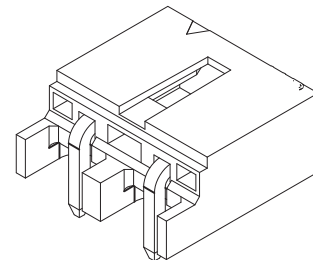
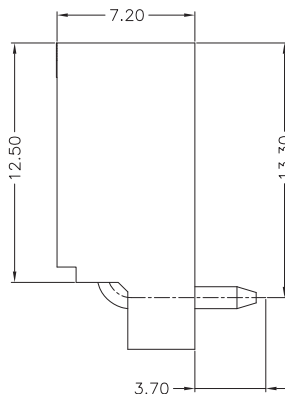
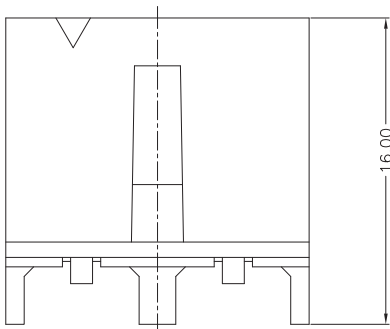
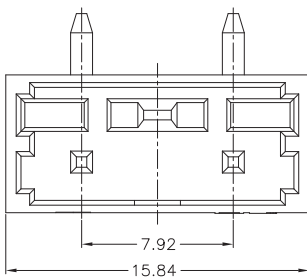
	A7922H-02P N 0 W NP N 00 G						
	①	②	③	④	⑤	⑥	⑦
① N=Halogen Free							
② Material: 0=Nylon 66-V0							
③ Color: W=White							
④ Plating code: NP=Non-plating							
⑤ Plating code: N=Non-plating							
⑥ Option code: 00=Standard							
⑦ Packing code: G=Bag							

A7922WR

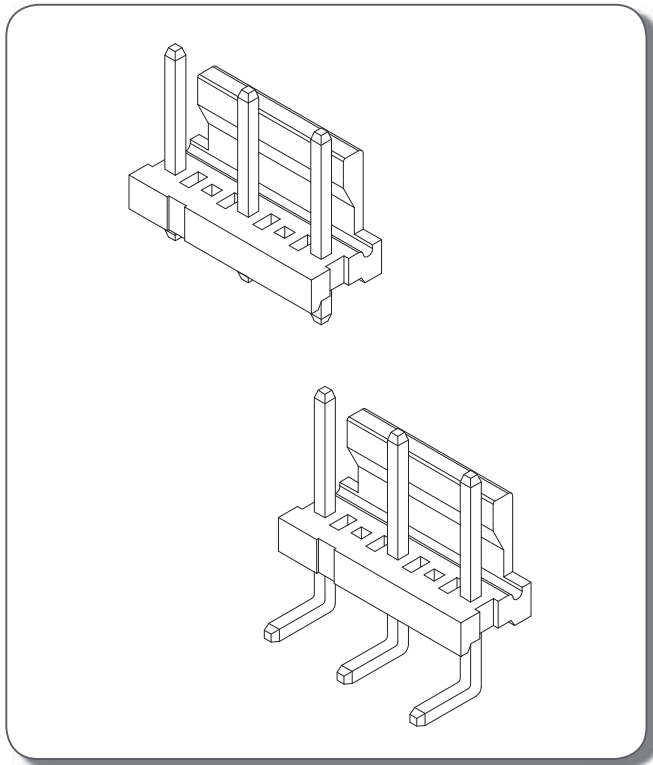
7.92mm pitch single row 90° Wafer

Reference Informations:

- *Material: Pin: Brass/Tin-plated
Wafer: Nylon 66,UL94V-0
- *Mates with A7922 series Housing



	A7922WR-02P N 0 W T1 N 00 G						
	①	②	③	④	⑤	⑥	⑦
① N=Halogen Free							
② Material: 0=Nylon 66-V0							
③ Color: W=White							
④ Plating code: T1=Tin-plated							
⑤ Plating code: N=Non-plating							
⑥ Option code: 00=Standard							
⑦ Packing code: G=Bag							



Specifications

Current rating: 7A AC,DC
Voltage rating: 600V AC,DC
Temperature range: -25°C ~ +85°C
Contact resistance: 3mΩ Max.
Insulation resistance: 5000MΩ Min.
Withstanding voltage: 2200V AC/minute

A
B
C
F
ST
HRJ
DC

Ordering code

① A7923 ② WV ③ -05P ④ R

- ① Series No.
- ② Connector type: WV=Vertical, WR=Right angle
- ③ No. of circuits
- ④ Option code:
 - R=Round pin(Vertical type only)
 - Y01=Soldertail length 4.45mm
 - YR1=Soldertail length 4.45mm, Round pin(Vertical type only)

A7923 SERIES

7.92mm pitch wire to board connector

A7923WV

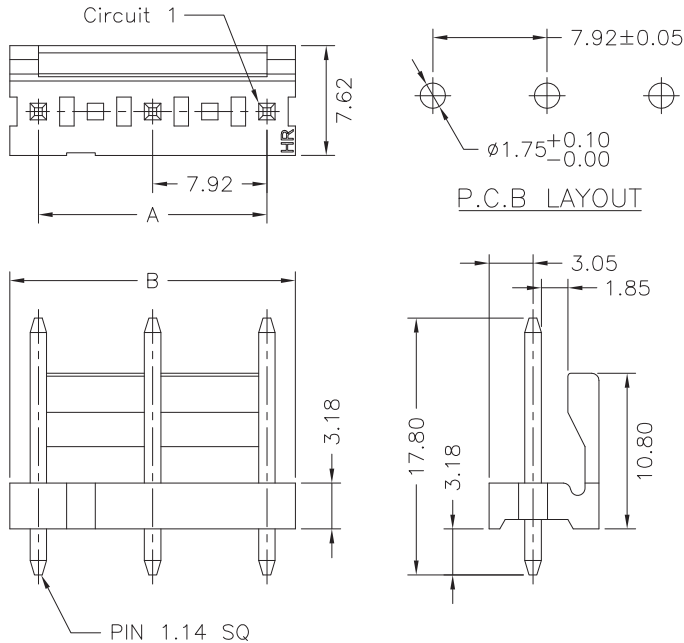
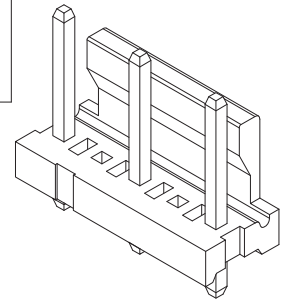
7.92mm pitch 180° Wafer

Reference Informations:

- *Material: Pin: Brass/Tin-plated
Wafer: Nylon 66,UL94V-0
- *Soldertail Length 4.45mm is available

	A7923WV-05P	N	0	W	T1	N	00	G
		①	②	③	④	⑤	⑥	⑦

- ① N=Halogen Free
- ② Material: 0=Nylon 66-V0
- ③ Color: W=White
- ④ Plating code: T1=Tin-plated
- ⑤ Plating code: N=Non-plating
- ⑥ Option code: 00=Standard, Y1=Soldertail 4.45mm
- ⑦ Packing code: G=Bag



Ordering Information & Dimensions:

PART NO.	Dimensions	
	A	B
A7923WV-02P	7.92	11.88
A7923WV-03P	15.84	19.80
A7923WV-04P	23.76	27.72
A7923WV-05P	31.68	35.64
A7923WV-06P	39.60	43.56
A7923WV-07P	47.52	51.48
A7923WV-08P	55.44	59.40
A7923WV-09P	63.36	67.32
A7923WV-10P	71.28	75.24

Unit:mm

A7923WR

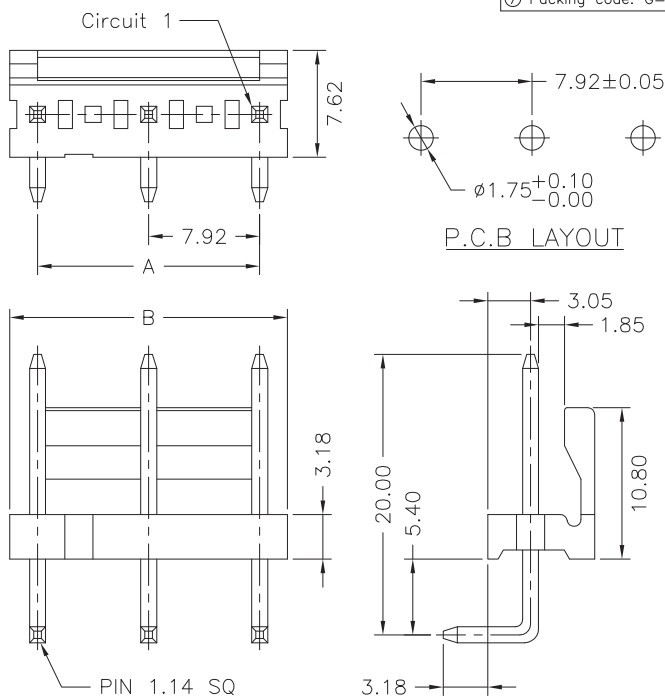
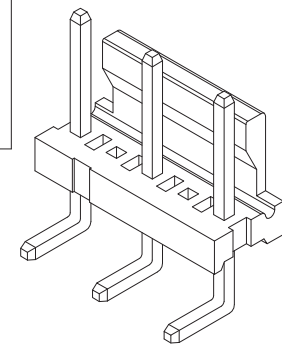
7.92mm pitch 90° Wafer

Reference Informations:

- *Material: Pin: Brass/Tin-plated
Wafer: Nylon 66,UL94V-0
- *Soldertail Length 4.45mm is available

	A7923WR-05P	N	0	W	T1	N	00	G
		①	②	③	④	⑤	⑥	⑦

- ① N=Halogen Free
- ② Material: 0=Nylon 66-V0
- ③ Color: W=White
- ④ Plating code: T1=Tin-plated
- ⑤ Plating code: N=Non-plating
- ⑥ Option code: 00=Standard, Y1=Soldertail 4.45mm
- ⑦ Packing code: G=Bag



Ordering Information & Dimensions:

PART NO.	Dimensions	
	A	B
A7923WR-02P	7.92	11.88
A7923WR-03P	15.84	19.80
A7923WR-04P	23.76	27.72
A7923WR-05P	31.68	35.64
A7923WR-06P	39.60	43.56
A7923WR-07P	47.52	51.48
A7923WR-08P	55.44	59.40
A7923WR-09P	63.36	67.32
A7923WR-10P	71.28	75.24

Unit:mm

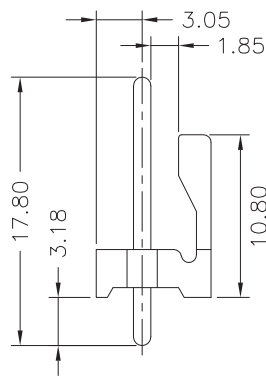
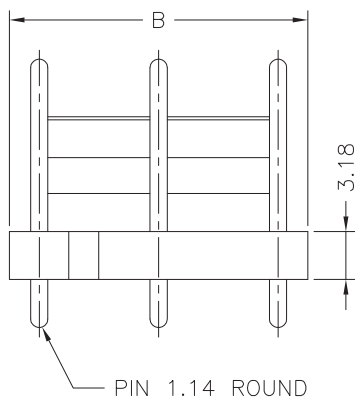
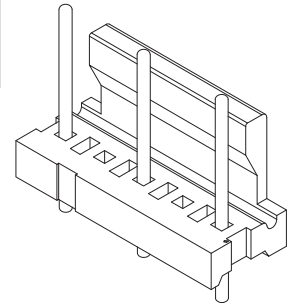
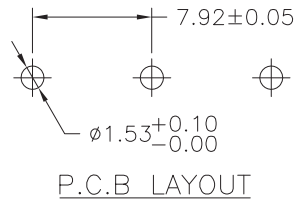
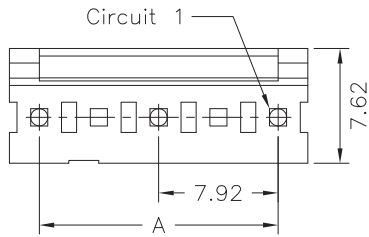
A7923WV

7.92mm pitch 180° Wafer, Round Pin

Reference Informations:

- *Material: Pin: Brass/Tin-plated
Wafer: Nylon 66,UL94V-0
- *Soldertail Length 4.45mm is available

	A7923WV-05P						
	N	O	W	T1	N	R0	G
①	②	③	④	⑤	⑥	⑦	
① N=Halogen Free ② Material: O=Nylon 66-V0 ③ Color: W=White ④ Plating code: T1=Tin-plated ⑤ Plating code: N=Non-plating ⑥ Option code: R0=Round pin, R1=Soldertail 4.45mm ⑦ Packing code: G=Bag							



Ordering Information & Dimensions:

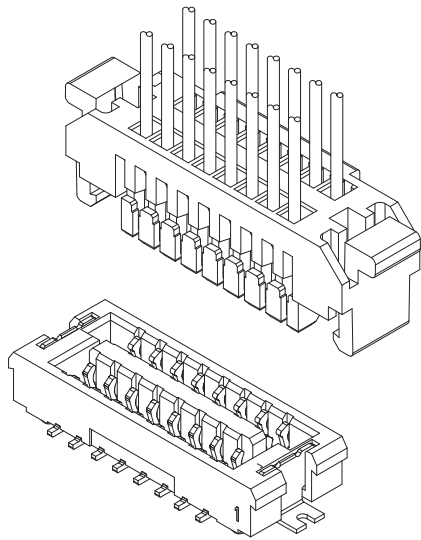
PART NO.	Dimensions	
	A	B
A7923WV-02PR	7.92	11.88
A7923WV-03PR	15.84	19.80
A7923WV-04PR	23.76	27.72
A7923WV-05PR	31.68	35.64
A7923WV-06PR	39.60	43.56
A7923WV-07PR	47.52	51.48
A7923WV-08PR	55.44	59.40
A7923WV-09PR	63.36	67.32
A7923WV-10PR	71.28	75.24

Unit:mm

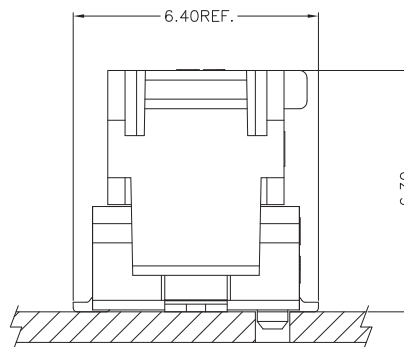
A
B
C
F
ST
HRJ
DC

Specifications

Current rating: 1A AC,DC
 Voltage rating: 50V AC,DC
 Temperature range: -25°C ~ +85°C
 Contact resistance: 20mΩ Max.
 Insulation resistance: 100MΩ Min.
 Withstanding voltage: 500V AC/minute



Assembly layout



Ordering code

① ② ③ ④
A12511-TPE

- ① Series No.
- ② Plating code: T=Tin-plated, G=Gold-plated
- ③ Material: P=Phosphor bronze
- ④ E=Stamping before plating

① ② ③ ④ ⑤
A12511 H A-2X-08P

- ① Series No.
- ② H=Housing
- ③ Blank=Without lock structure type
A=With lock structure type
- ④ Blank=Single row, 2X=Dual row
- ⑤ No. of circuits

① ② ③ ④ ⑤ ⑥ ⑦
A12511 WV A-SF-2X 08P D01

- ① Series No.
- ② Connector type: WV=Vertical
- ③ Blank=Normal type, A=A type
- ④ Mounting type: SF=SMT with boss
- ⑤ Blank=Single row, 2X=Dual row
- ⑥ No. of circuits
- ⑦ Option code:
D01=Gold-flash, Taping reel

A12511 SERIES

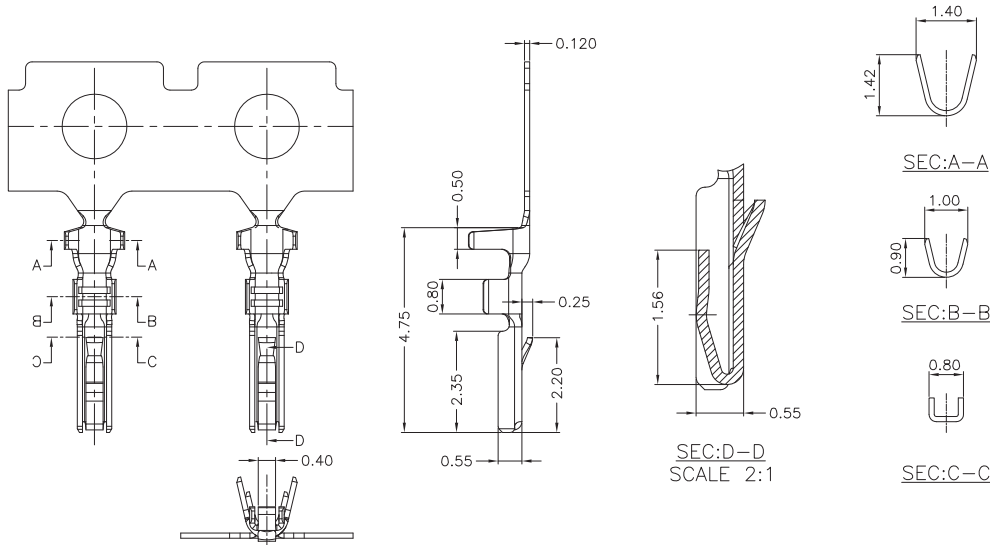
1.25mm pitch wire to board connector

A12511-T

1.25mm pitch Crimp Terminal

Reference Informations:

*Used in A12511 series Housing



A
B
C
F
ST
HRJ
DC

Ordering Information & Specifications:

Unit:mm

Part No.	Wire Range	Insulation O.D.	Material	Finish	Qty/reel
A12511-TPE	AWG#28-#32	0.80mm(max)	Phosphor	Tin-plated	15,000 pcs
A12511-GPE	AWG#28-#32	0.80mm(max)	Phosphor	Gold-plated	15,000 pcs

Note:E-Stamping before Tin-plated or Gold-flash

A12511HA-2

1.25mm pitch Dual Row Housing With Lock

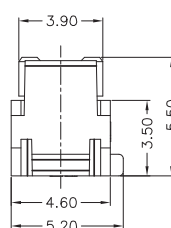
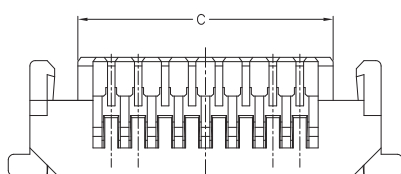
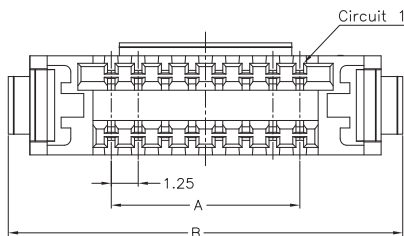
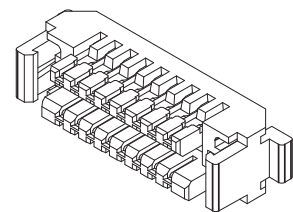
Reference Informations:

*Material: Nylon 66 UL94V-0

*Suitable A12511 series Terminal

*Mates with A12511 series dual row Wafer

A12511HA-2XNP		N	0	W	NP	N	00	G
		①	②	③	④	⑤	⑥	⑦
①	N=Halogen Free							
②	Material: 0=Nylon 66-V0							
③	Color: W=White							
④	Plating code: NP=Non-plating							
⑤	Plating code: N=Non-plating							
⑥	Option code: 00=Standard							
⑦	Packing code: G=Bag							



Ordering Information & Dimensions:

PART NO.	Dimensions		
	A	B	C
A12511HA-2X05P	5.00	14.55	8.10
A12511HA-2X07P	7.50	17.50	10.60
A12511HA-2X08P	8.75	18.30	11.85
A12511HA-2X10P	11.25	20.80	14.35
A12511HA-2X15P	17.50	27.05	20.60
A12511HA-2X18P	21.25	30.80	24.35
A12511HA-2X20P	23.75	33.00	26.85
A12511HA-2X21P	25.00	34.55	28.10
A12511HA-2X25P	30.00	39.55	33.10
A12511HA-2X30P	36.25	45.80	39.35

Unit:mm

A12511 SERIES

1.25mm pitch wire to board connector

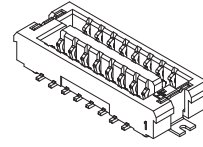
A12511WVA-SF-2

1.25mm pitch 180° Dual Row Wafer-
SMT TYPE

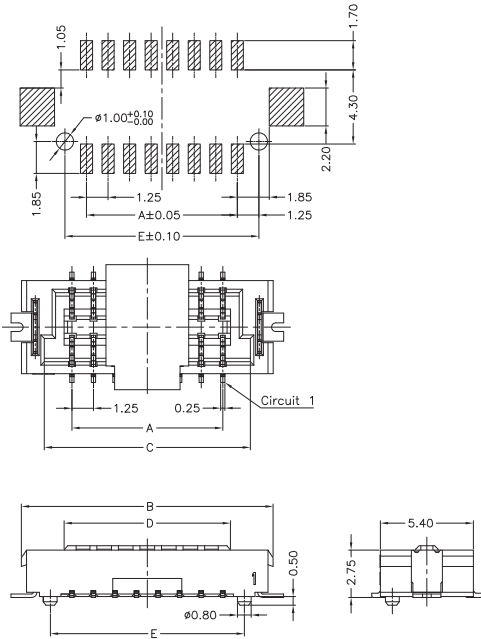
Reference Informations:

- *Material: Pin: Phosphor Bronze/Gold-flash
Solder Tabs: Brass/Matte Tin-plated
Wafer: LCP, UL94V-0
Cap: Nylon 6T, UL94V-0

*Mates with A12511HA serie dual row Housing



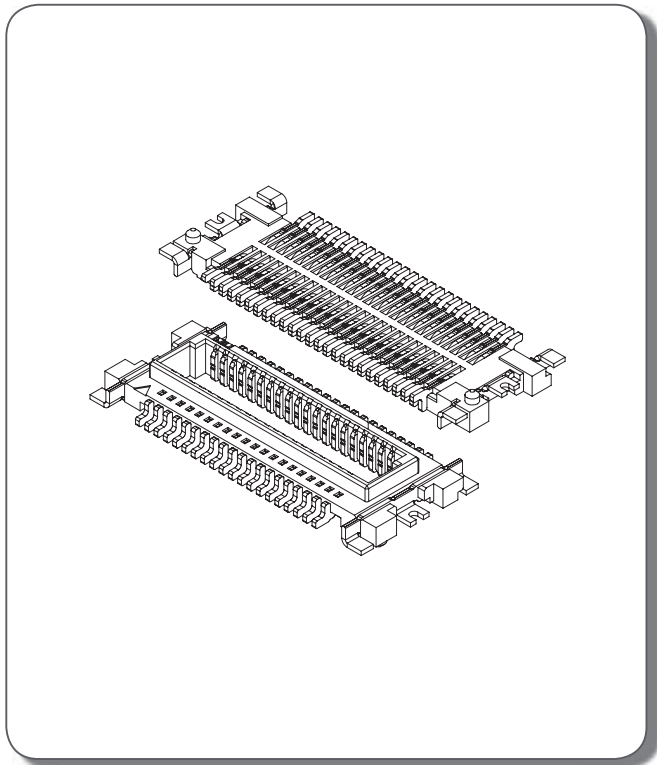
	A12511WVA-SF-2XNP						
	N	L	N	XX	X	00	L
①	②	③	④	⑤	⑥	⑦	
① N=Halogen Free ② Material: L=LCP ③ Color: N=Natural(Beige) ④ Plating code for contacts: T1=Matte Tin-plated; G1=Gold-flash ⑤ Plating code for solder tabs: T=Matte Tin-plated; G=Gold-flash ⑥ Option code: 00=Standard ⑦ Packing code: L=Tape & Reel(With Cap)							



Ordering Information & Dimensions:

PART NO.	Dimensions				
	A	B	C	D	E
A12511WVA-SF-2X05P	5.00	10.85	8.20	5.90	7.50
A12511WVA-SF-2X07P	7.50	13.35	10.70	8.40	10.00
A12511WVA-SF-2X08P	8.75	14.60	11.95	9.65	11.25
A12511WVA-SF-2X10P	11.25	17.10	14.45	12.15	13.75
A12511WVA-SF-2X15P	17.50	23.35	20.70	18.40	20.00
A12511WVA-SF-2X18P	21.25	27.10	24.45	22.15	23.75
A12511WVA-SF-2X20P	23.75	29.60	26.95	24.65	26.25
A12511WVA-SF-2X21P	25.00	30.85	28.20	25.90	27.50
A12511WVA-SF-2X25P	30.00	35.85	33.20	30.90	32.50
A12511WVA-SF-2X30P	36.25	42.10	39.45	37.15	38.75

Unit:mm

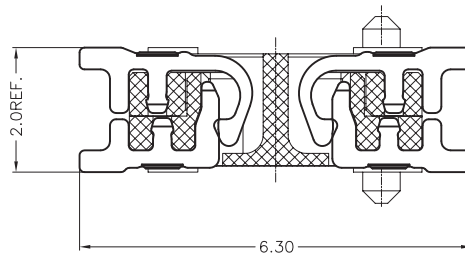


Specifications

Current rating: 0.5A AC,DC
Voltage rating: 50V AC,DC
Temperature range: -25°C ~ +85°C
Contact resistance: 30mΩ Max.
Insulation resistance: 100MΩMin.
Withstanding voltage: 250V AC/minute

A
B
C
F
ST
HRJ
DC

Assembly layout



Ordering code

① B0510 ② HF ③ SF ④ 2X ⑤ 20P

- ① Series No.
- ② Connector type: HF=Female
- ③ Mounting type: SF=SMT with boss
- ④ 2X=Dual row
- ⑤ No. of circuits

① B0510 ② HM ③ SF ④ 2X ⑤ 20P

- ① Series No.
- ② Connector type: HM=Male
- ③ Mounting type: SF=SMT with boss
- ④ 2X=Dual row
- ⑤ No. of circuits

B0510 SERIES

0.50mm pitch board to board connector

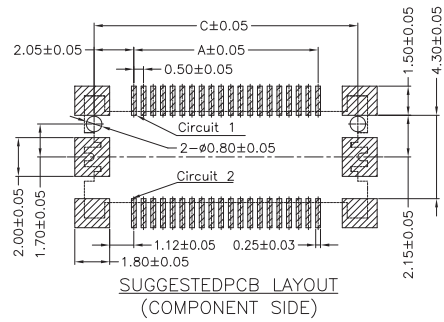
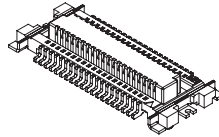
B0510HF-SF

0.50mm pitch board to board connector SMT TYPE

Reference Informations:

- *Material: Pin: Phosphor Bronze/Gold-flash
Solder Tabs: Brass/Matte Tin-Plated
Housing: LCP,UL94V-0
- *Mates with B0510HM serie Housing

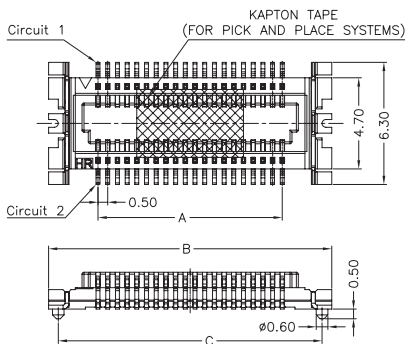
	B0510HF-SF-2XNP	N	L	X	G1	T	00	L
		①	②	③	④	⑤	⑥	⑦
① N=Halogen Free ② Material: L=LCP ③ Color: N=Natural; B=Black ④ Plating code for contacts: G1=Gold-flash ⑤ Plating code for forklock: T=Matte Tin-plated ⑥ Option code: 00=Standard ⑦ Packing code: L=Tape & Reel(With Mylar)								



Ordering Information & Dimensions:

PART NO.	Dimensions		
	A	B	C
B0510HF-SF-2X05P	2.00	7.10	6.10
B0510HF-SF-2X07P	3.00	8.10	7.10
B0510HF-SF-2X08P	3.50	8.60	7.60
B0510HF-SF-2X10P	4.50	9.60	8.60
B0510HF-SF-2X12P	5.50	10.60	9.60
B0510HF-SF-2X15P	7.00	12.10	11.10
B0510HF-SF-2X17P	8.00	13.10	12.10
B0510HF-SF-2X18P	8.50	13.60	12.60
B0510HF-SF-2X20P	9.50	14.60	13.60
B0510HF-SF-2X25P	12.00	17.10	16.10
B0510HF-SF-2X30P	14.50	19.60	18.60
B0510HF-SF-2X35P	17.00	22.10	21.10
B0510HF-SF-2X50P	24.50	29.60	28.60

Unit:mm



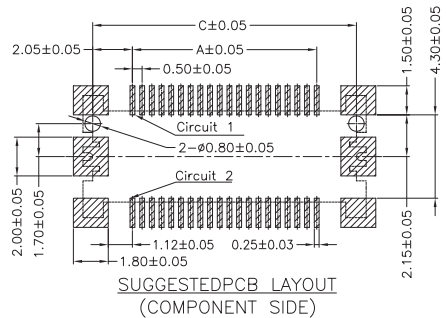
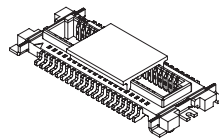
B0510HM-SF

0.50mm pitch board to board connector SMT TYPE

Reference Informations:

- *Material: Pin: Phosphor Bronze/Gold-flash
Solder Tabs: Brass/Matte Tin-Plated
Housing: LCP,UL94V-0
- *Mates with B0510HF serie Housing

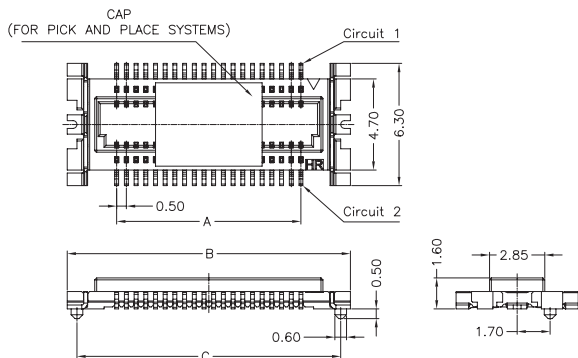
	B0510HM-SF-2XNP	N	L	X	G1	T	00	L
		①	②	③	④	⑤	⑥	⑦
① N=Halogen Free ② Material: L=LCP ③ Color: N=Natural; B=Black ④ Plating code for contacts: G1=Gold-flash ⑤ Plating code for forklock: T=Matte Tin-plated ⑥ Option code: 00=Standard ⑦ Packing code: L=Tape & Reel(With Cap)								

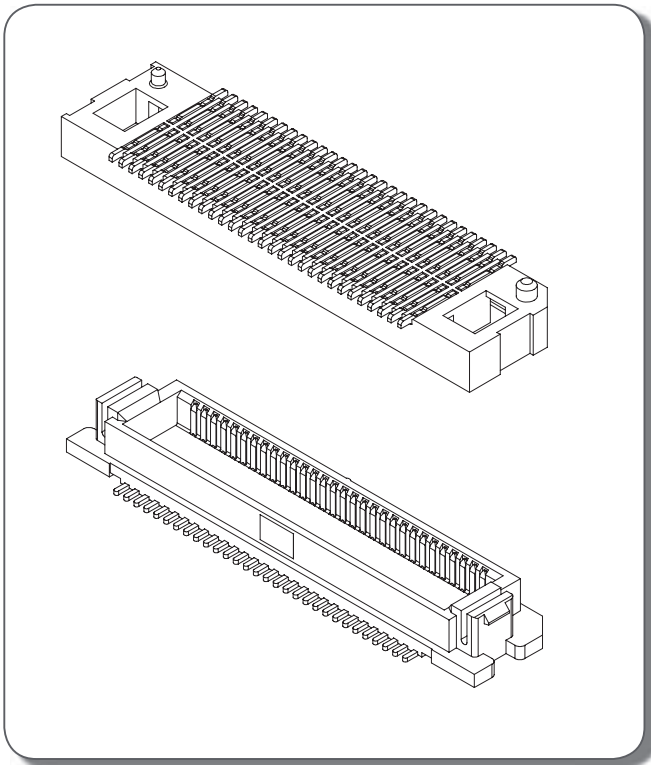


Ordering Information & Dimensions:

PART NO.	Dimensions		
	A	B	C
B0510HM-SF-2X05P	2.00	7.10	6.10
B0510HM-SF-2X07P	3.00	8.10	7.10
B0510HM-SF-2X08P	3.50	8.60	7.60
B0510HM-SF-2X10P	4.50	9.60	8.60
B0510HM-SF-2X12P	5.50	10.60	9.60
B0510HM-SF-2X15P	7.00	12.10	11.10
B0510HM-SF-2X17P	8.00	13.10	12.10
B0510HM-SF-2X18P	8.50	13.60	12.60
B0510HM-SF-2X20P	9.50	14.60	13.60
B0510HM-SF-2X25P	12.00	17.10	16.10
B0510HM-SF-2X30P	14.50	19.60	18.60
B0510HM-SF-2X35P	17.00	22.10	21.10
B0510HM-SF-2X50P	24.50	29.60	28.60

Unit:mm





Specifications

Current rating: 0.4A AC,DC
 Voltage rating: 100V AC,DC
 Temperature range: -25°C ~ +85°C
 Contact resistance: 45mΩ Max.
 Insulation resistance: 1000MΩ Min.
 Withstanding voltage: 300V AC/minute

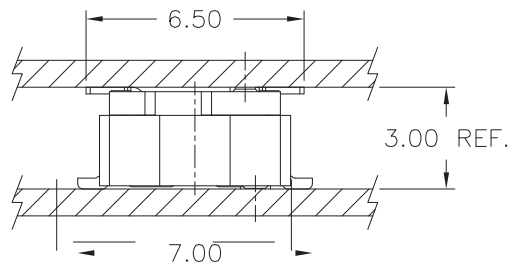
A
B
 C
 F
 ST
 HRJ
 DC

Standards



E179987

Assembly layout



Ordering code

① B0600 ② HF ③ SF ④ 2X ⑤ 30P

- ① Series No.
- ② Connector type: HF=Female
- ③ Mounting type: SF=SMT with boss
- ④ 2X=Dual row
- ⑤ No. of circuits

① B0600 ② HM ③ A-SF ④ 2X ⑤ 30P ⑥

- ① Series No.
- ② Connector type: HM=Male
- ③ Blank=With lock structure type
A=Without lock structure type
- ④ Mounting type: SF=SMT with boss
- ⑤ 2X=Dual row
- ⑥ No. of circuits

B0600 SERIES

0.60mm pitch board to board connector

B0600HF-SF

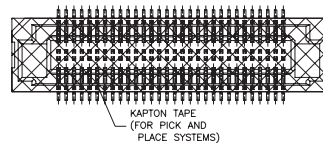
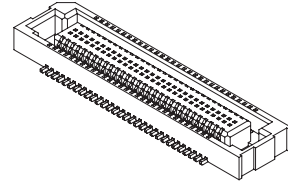
—0.60mm pitch Housing - SMT TYPE—

Reference Informations:

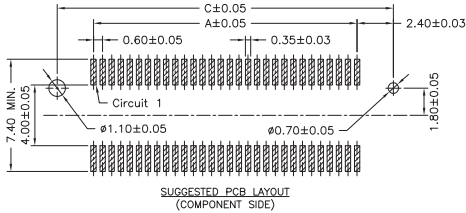
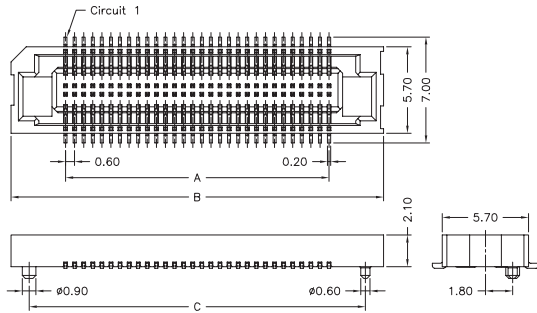
- *Material: Pin: Phosphor Bronze/Gold-plated
Housing: Nylon 6T,UL94V-0
- *Mates with B0600HM series Housing

B0600HF-SF-2X30P	N	6	B	G2	N	00	L
	①	②	③	④	⑤	⑥	⑦

① N=Halogen Free
 ② Material: 6=Nylon 6T, L=LCP
 ③ Color: B=Black, N=Natural(Beige)
 ④ Plating code: G2=Gold-plated 3u"
 ⑤ Plating code: N=Non-plating
 ⑥ Option code: 00=Standard
 ⑦ Packing code: L=Tape & Reel(With Mylar)



KAPTON TAPE
(FOR PICK AND PLACE SYSTEMS)



Ordering Information & Dimensions:

PART NO.	Dimensions		
	A	B	C
B0600HF-SF-2X30P	17.40	24.60	22.20
B0600HF-SF-2X40P	23.40	30.60	28.20
B0600HF-SF-2X50P	29.40	36.60	34.20
B0600HF-SF-2X60P	35.40	42.60	40.20

Unit:mm

B0600HM-SF

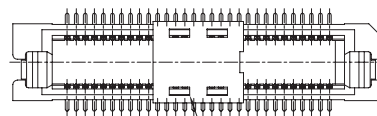
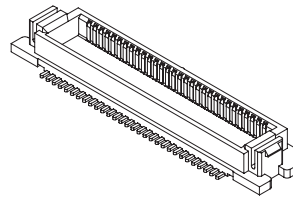
—0.60mm pitch Housing - SMT TYPE—

Reference Informations:

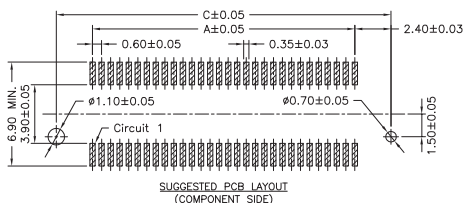
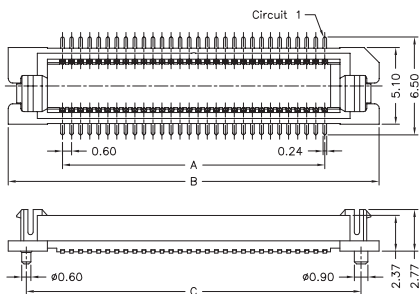
- *Material: Pin: Phosphor Bronze/Gold-plated
Housing: Nylon 6T,UL94V-0
Cap: Nylon 6T,UL94V-0
- *Mates with B0600HF series Housing

B0600HM-SF-2X30P	N	6	B	G2	N	00	L
	①	②	③	④	⑤	⑥	⑦

① N=Halogen Free
 ② Material: 6=Nylon 6T, L=LCP
 ③ Color: B=Black, N=Natural(Beige)
 ④ Plating code: G2=Gold-plated 3u"
 ⑤ Plating code: N=Non-plating
 ⑥ Option code: 00=Standard
 ⑦ Packing code: L=Tape & Reel(With Cap)



CAP
(FOR PICK AND PLACE SYSTEMS)



Ordering Information & Dimensions:

PART NO.	Dimensions		
	A	B	C
B0600HM-SF-2X30P	17.40	24.60	22.20
B0600HM-SF-2X40P	23.40	30.60	28.20
B0600HM-SF-2X50P	29.40	36.60	34.20
B0600HM-SF-2X60P	35.40	42.60	40.20

Unit:mm

B0600HMA-SF

0.60mm pitch Housing - SMT TYPE

Reference Informations:

*Material: Pin: Phosphor Bronze/Gold-plated

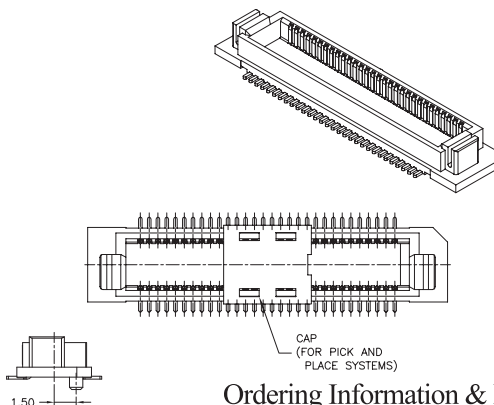
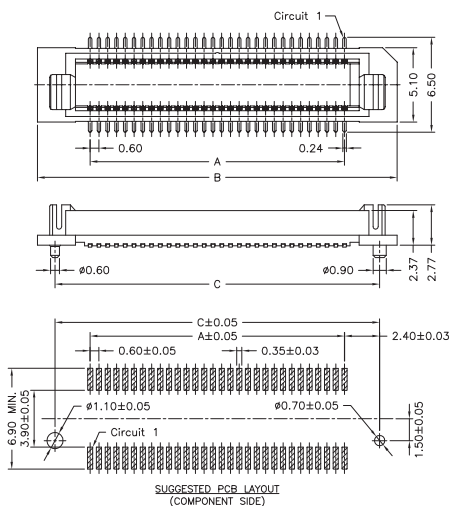
Housing: Nylon 6T,UL94V-0

Cap: Nylon 6T,UL94V-0

*Mates with B0600HF series Housing

	B0600HMA-SF-2X30P	N	6	B	G2	N	00	L
		①	②	③	④	⑤	⑥	⑦

① N=Halogen Free
 ② Material: 6=Nylon 6T, L=LCP
 ③ Color: B=Black, N=Natural(Beige)
 ④ Plating code: G2=Gold-plated 3u"
 ⑤ Plating code: N=Non-plating
 ⑥ Option code: 00=Standard
 ⑦ Packing code: L=Tape & Reel(With Cap)



Ordering Information & Dimensions:

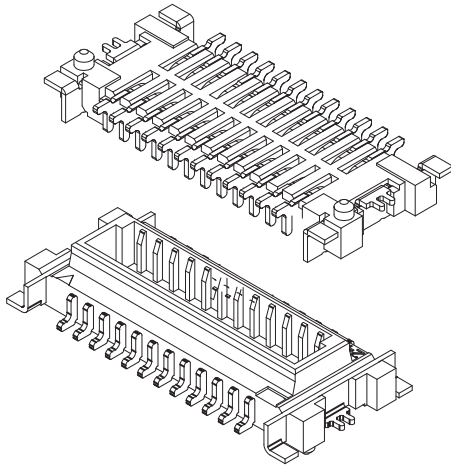
PART NO.	Dimensions		
	A	B	C
B0600HMA-SF-2X30P	17.40	24.60	22.20
B0600HMA-SF-2X40P	23.40	30.60	28.20
B0600HMA-SF-2X50P	29.40	36.60	34.20
B0600HMA-SF-2X60P	35.40	42.60	40.20

Unit:mm

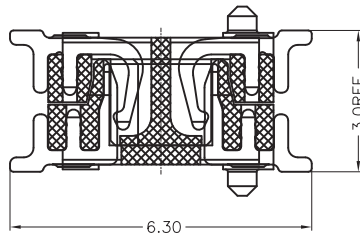
A
B
 C
 F
 ST
 HRJ
 DC

Specifications

Current rating: 0.5A AC,DC
 Voltage rating: 50V AC,DC
 Temperature range: -25°C ~ +85°C
 Contact resistance: 30mΩ Max.
 Insulation resistance: 100MΩ Min.
 Withstanding voltage: 250V AC/minute



Assembly layout



Ordering code

① B0802 ② HF ③ SF ④ 2X ⑤ 12P

- ① Series No.
- ② Connector type: HF=Female
- ③ Mounting type: SF=SMT with boss
- ④ 2X=Dual row
- ⑤ No. of circuits

① B0802 ② HM ③ SF ④ 2X ⑤ 12P

- ① Series No.
- ② Connector type: HM=Male
- ③ Mounting type: SF=SMT with boss
- ④ 2X=Dual row
- ⑤ No. of circuits

B0802 SERIES

0.80mm pitch board to board connector

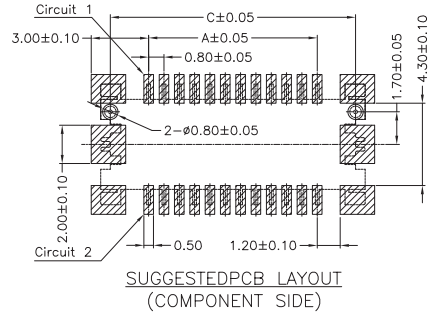
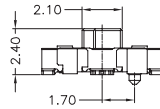
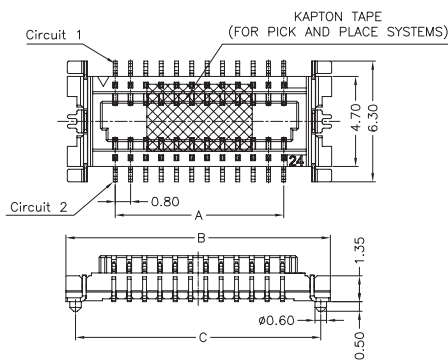
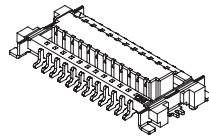
B0802HF-SF

0.80mm pitch board to board connector SMT

Reference Informations:

- *Material: Pin: Phosphor Bronze/Gold-flash
Solder Tabs: Brass/Matte Tin-Plated
Housing: LCP,UL94V-0
- *Mates with B0802HM serie Housing

	B0802HF-SF-2XNP						
	N	L	X	G1	T	00	L
	①	②	③	④	⑤	⑥	⑦
	① N=Halogen Free						
	② Material: L=LCP						
	③ Color: N=Natural; B=Black						
	④ Plating code for contacts: G1=Gold-flash						
	⑤ Plating code for forklock: T=Matte Tin-plated						
⑥ Option code: 00=Standard							
⑦ Packing code: L=Tape & Reel(With Mylar)							



SUGGESTED PCB LAYOUT
(COMPONENT SIDE)

Ordering Information & Dimensions:

PART NO.	Dimensions		
	A	B	C
B0802HF-SF-2X05P	3.20	8.20	7.20
B0802HF-SF-2X06P	4.00	9.00	8.00
B0802HF-SF-2X07P	4.80	9.80	8.80
B0802HF-SF-2X08P	5.60	10.60	9.60
B0802HF-SF-2X10P	7.20	12.20	11.20
B0802HF-SF-2X12P	8.00	13.80	12.80
B0802HF-SF-2X13P	9.60	14.60	13.60
B0802HF-SF-2X15P	11.20	16.20	15.20
B0802HF-SF-2X17P	12.80	17.80	16.80
B0802HF-SF-2X18P	13.60	18.60	17.60
B0802HF-SF-2X20P	15.20	20.20	19.20
B0802HF-SF-2X25P	19.20	24.20	23.20
B0802HF-SF-2X30P	23.20	28.20	27.20
B0802HF-SF-2X40P	31.20	36.20	35.20

Unit:mm

A
B
C
ST
HRJ
DC

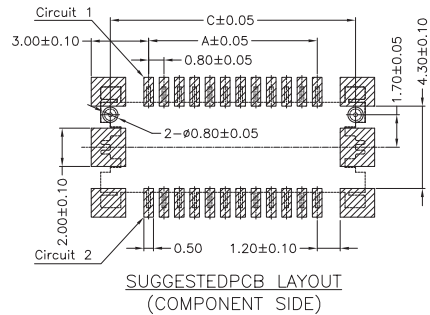
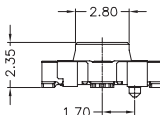
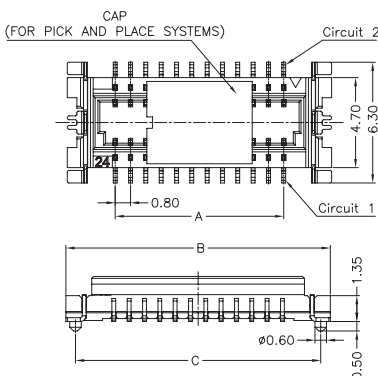
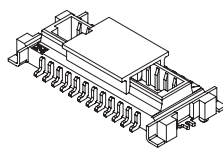
B0802HM-SF

0.80mm pitch board to board connector SMT

Reference Informations:

- *Material: Pin: Phosphor Bronze/Gold-flash
Solder Tabs: Brass/Matte Tin-Plated
Housing: LCP,UL94V-0
- *Mates with B0802HF serie Housing

	B0802HM-SF-2XNP						
	N	L	X	G1	T	00	L
	①	②	③	④	⑤	⑥	⑦
	① N=Halogen Free						
	② Material: L=LCP						
	③ Color: N=Natural; B=Black						
	④ Plating code for contacts: G1=Gold-flash						
	⑤ Plating code for forklock: T=Matte Tin-plated						
⑥ Option code: 00=Standard							
⑦ Packing code: L=Tape & Reel(With Cap)							



SUGGESTED PCB LAYOUT
(COMPONENT SIDE)

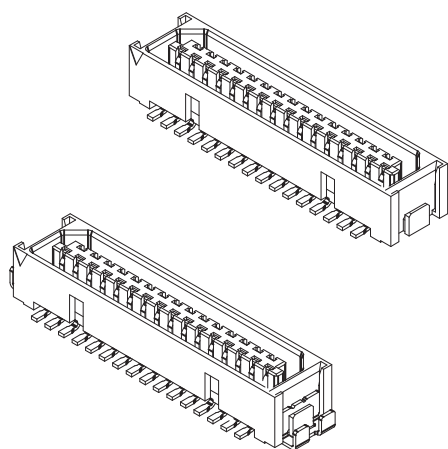
Ordering Information & Dimensions:

PART NO.	Dimensions		
	A	B	C
B0802HM-SF-2X05P	3.20	8.20	7.20
B0802HM-SF-2X06P	4.00	9.00	8.00
B0802HM-SF-2X07P	4.80	9.80	8.80
B0802HM-SF-2X08P	5.60	10.60	9.60
B0802HM-SF-2X10P	7.20	12.20	11.20
B0802HM-SF-2X12P	8.00	13.80	12.80
B0802HM-SF-2X13P	9.60	14.60	13.60
B0802HM-SF-2X15P	11.20	16.20	15.20
B0802HM-SF-2X17P	12.80	17.80	16.80
B0802HM-SF-2X18P	13.60	18.60	17.60
B0802HM-SF-2X20P	15.20	20.20	19.20
B0802HM-SF-2X25P	19.20	24.20	23.20
B0802HM-SF-2X30P	23.20	28.20	27.20
B0802HM-SF-2X40P	31.20	36.20	35.20

Unit:mm

Specifications

Current rating: 0.5A AC,DC
Voltage rating: 150V AC,DC
Temperature range: -45°C ~ +125°C
Contact resistance: 50mΩ Max.
Insulation resistance: 500MΩ Min.
Withstanding voltage: 250V AC/minute



Ordering code

① ② ③ ④ ⑤
B1027 HF-S-2X 31P

- ① Series No.
- ② Connector type: HF=Female
- ③ Mounting type: S=SMT
- ④ 2X=Dual row
- ⑤ No. of circuits

B1027 SERIES

1.00mm pitch board to board connector

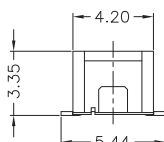
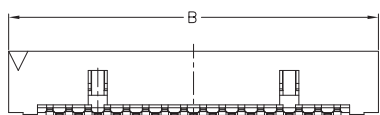
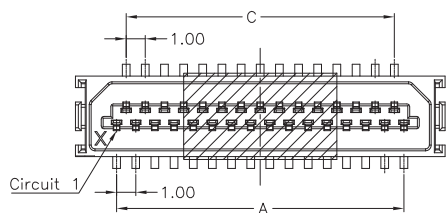
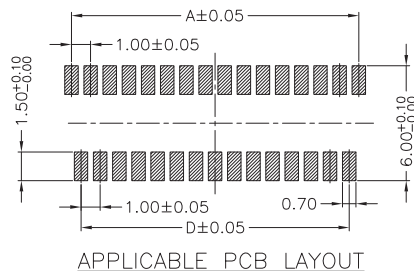
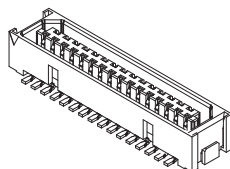
B1027HF-S

1.00mm pitch board to board connector SMT TYPE

Reference Informations:

*Material: Pin: Phosphor Bronze/Gold-flash
Housing: LCP,UL94V-0

	B1027HF-S-XP	N	L	N	HA	N	00	L
		①	②	③	④	⑤	⑥	⑦
①	N=Halogen Free							
②	Material: L=LCP							
③	Color: N=Natural;							
④	Plating code for contacts: HA=Gold-plated 4u" on contact area, Tin-plated on solder area							
⑤	N=Non-plating							
⑥	Option code: 00=Standard							
⑦	Packing code: L=Tape & Reel(With Mylar)							



Ordering Information & Dimensions:

PART NO.	Dimensions		
	A	B	C
B1027HF-S-09P	4.00	8.30	3.00
B1027HF-S-11P	5.00	9.30	4.00
B1027HF-S-13P	6.00	10.30	5.00
B1027HF-S-15P	7.00	11.30	6.00
B1027HF-S-17P	8.00	12.30	7.00
B1027HF-S-19P	9.00	13.30	8.00
B1027HF-S-21P	10.00	14.30	9.00
B1027HF-S-23P	11.00	15.30	10.00
B1027HF-S-25P	12.00	16.30	11.00
B1027HF-S-31P	15.00	19.30	14.00
B1027HF-S-41P	20.00	24.30	19.00
B1027HF-S-51P	25.00	29.30	24.00

Unit:mm

A
B
C
ST
HRJ
DC

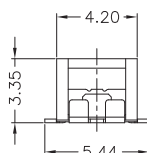
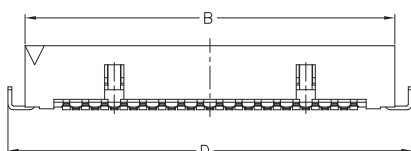
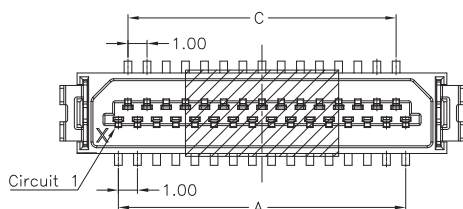
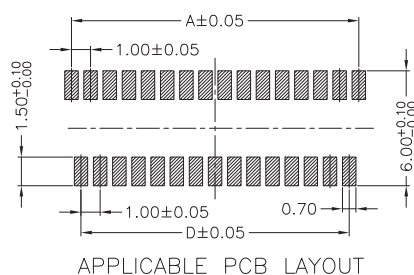
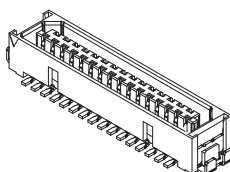
B1027HF-S

1.00mm pitch board to board connector SMT TYPE

Reference Informations:

*Material: Pin: Phosphor Bronze/Gold-flash
Solder Tabs: Brass/Tin-Plated
Housing: LCP,UL94V-0

	B1027HF-S-XP	N	L	N	HA	T	00	L
		①	②	③	④	⑤	⑥	⑦
①	N=Halogen Free							
②	Material: L=LCP							
③	Color: N=Natural;							
④	Plating code for contacts: HA=Gold-plated 4u" on contact area, Tin-plated on solder area							
⑤	Plating code for solder tabs: T=Tin Plated							
⑥	Option code: 00=Standard							
⑦	Packing code: L=Tape & Reel(With Mylar)							



Ordering Information & Dimensions:

PART NO.	Dimensions			
	A	B	C	D
B1027HF-S-09P	4.00	8.30	3.00	10.10
B1027HF-S-11P	5.00	9.30	4.00	11.10
B1027HF-S-13P	6.00	10.30	5.00	12.10
B1027HF-S-15P	7.00	11.30	6.00	13.10
B1027HF-S-17P	8.00	12.30	7.00	14.10
B1027HF-S-19P	9.00	13.30	8.00	15.10
B1027HF-S-21P	10.00	14.30	9.00	16.10
B1027HF-S-23P	11.00	15.30	10.00	17.10
B1027HF-S-25P	12.00	16.30	11.00	18.10
B1027HF-S-31P	15.00	19.30	14.00	21.10
B1027HF-S-41P	20.00	24.30	19.00	26.10
B1027HF-S-51P	25.00	29.30	24.00	31.10

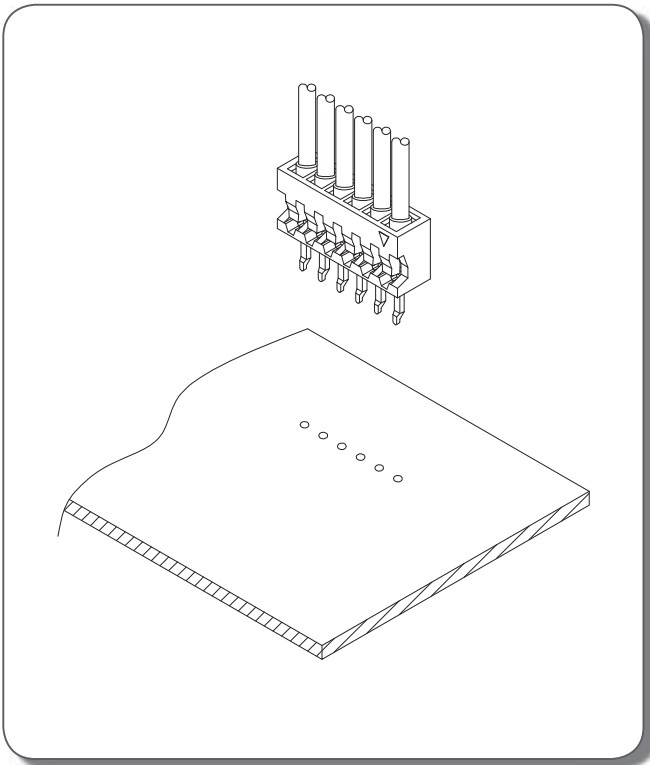
Unit:mm

Specifications

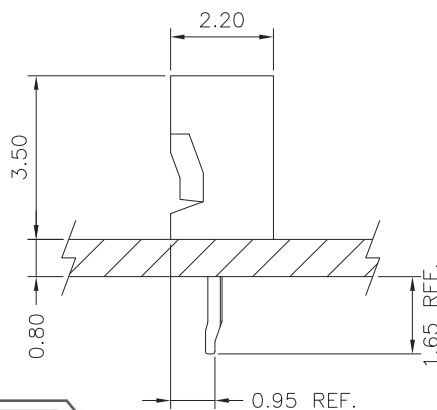
Current rating: 1A AC,DC
 Voltage rating: 125V AC,DC
 Temperature range: -25°C ~ +85°C
 Contact resistance: 20mΩ Max.
 Insulation resistance: 100MΩ Min.
 Withstanding voltage: 500V AC/minute

Standards

A
B
 C
 F
 ST
 HRJ
 DC



Assembly layout



Ordering code

① B1259 ② V-T ③ P ④ E

- ① Series No.
- ② Terminal type: V=Vertical
- ③ Plating code: T=Tin-plated
- ④ Material: P=Phosphor bronze
- ⑤ E=Stamping before plating

① B1259 ② HV-05P

- ① Series No.
- ② Housing type: HV=Vertical
- ③ No. of circuits

B1259 SERIES

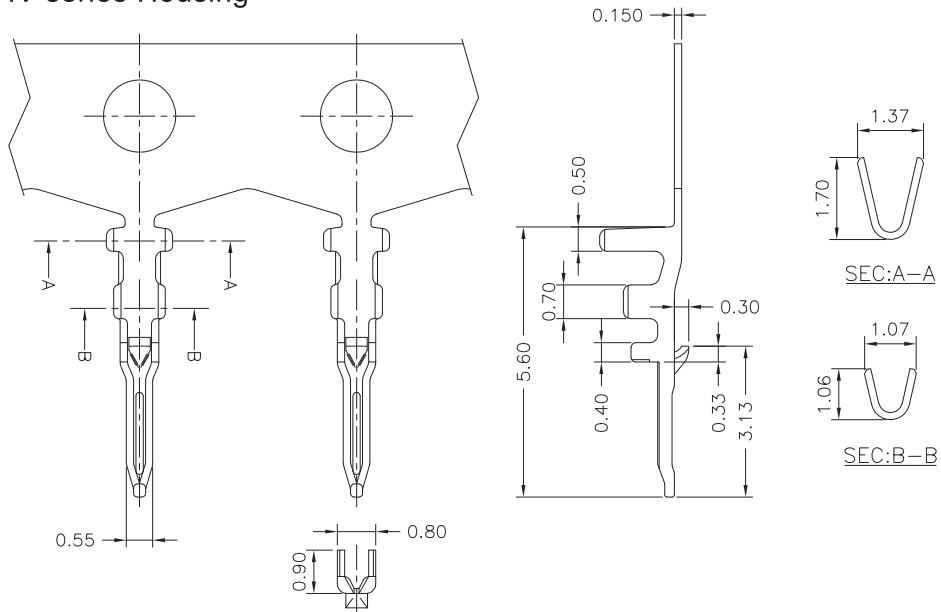
1.25mm pitch board-in connector

B 1259V-T

1.25mm pitch 180° Crimp Terminal

Reference Informations:

*Used in B1259HV series Housing



A
B
C
F
ST
HRJ
DC

Ordering Information & Specifications:

Unit:mm

Part No.	Wire Range	Insulation O.D.	Material	Finish	Qty/reel
B1259V-TPE	AWG#28-#32	1.00mm(max)	Phosphor Bronze	Tin-plated	15,000pcs

Note:E-Stamping before Tin-plated

B 1259HV

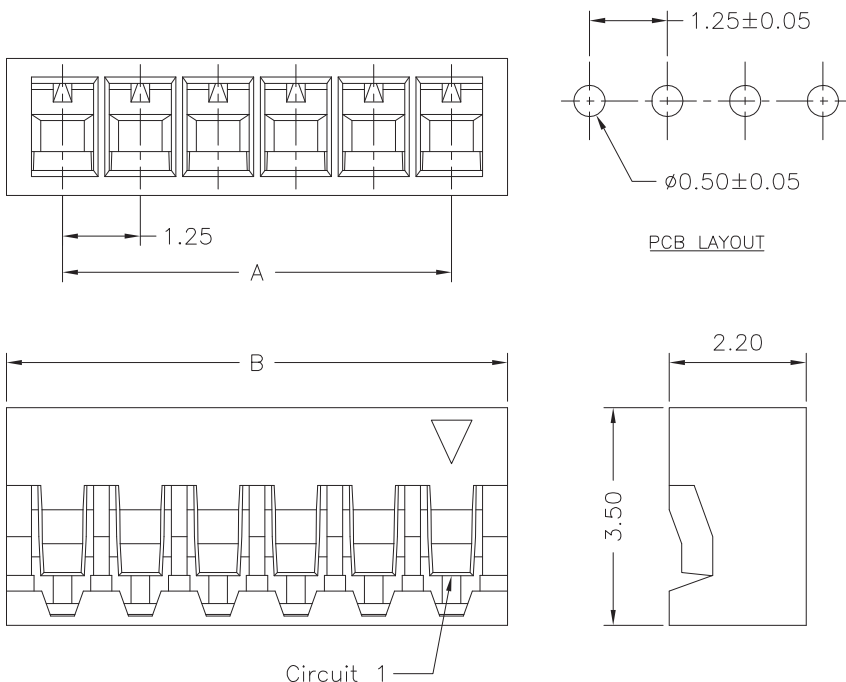
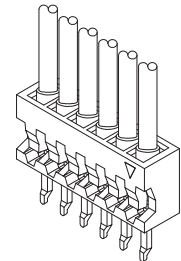
1.25mm pitch 180° Housing

Reference Informations:

*Material: Nylon 66,UL94V-0

*Suitable B1259V series Terminal

B1259HV-05P		N	Q	W	NP	N	00	G
		①	②	③	④	⑤	⑥	⑦
① N=Halogen Free								
② Material: 0=Nylon 66-V0								
③ Color: W=White								
④ Plating code: NP=Non-plating								
⑤ Plating code: N=Non-plating								
⑥ Option code: 00=Standard								
⑦ Packing code: G=Bag								

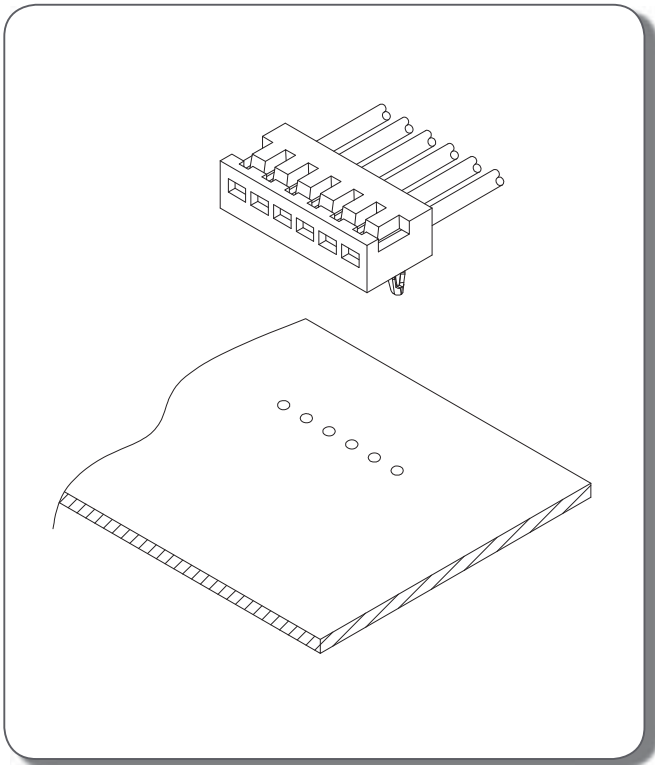


Ordering Information & Dimensions:

PART NO.	Dimensions	
	A	B
B1259HV-02P	1.25	3.05
B1259HV-03P	2.50	4.30
B1259HV-04P	3.75	5.55
B1259HV-05P	5.00	6.80
B1259HV-06P	6.25	8.05
B1259HV-07P	7.50	9.30
B1259HV-08P	8.75	10.55
B1259HV-09P	10.00	11.80
B1259HV-10P	11.25	13.05
B1259HV-11P	12.50	14.30
B1259HV-12P	13.75	15.55
B1259HV-13P	15.00	16.80
B1259HV-14P	16.25	18.05
B1259HV-15P	17.50	19.30

Unit:mm

A
B
C
F
ST
HRJ
DC

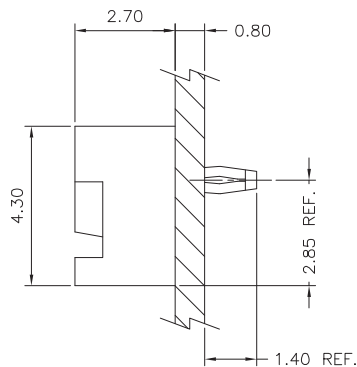


Specifications

- Current rating: 1A AC,DC
- Voltage rating: 200V AC,DC
- Temperature range: -25°C ~ +85°C
- Contact resistance: 20mΩ Max.
- Insulation resistance: 500MΩ Min.
- Withstanding voltage: 500V AC/minute

Standards

Assembly layout



Ordering code

① B1502 ② R-T ③ B E

- ① Series No.
- ② Terminal type: R=Right angle
- ③ Plating code: T=Tin-plated
- ④ Material: B=Brass
- ⑤ E=Stamping before plating

① B1502 ② HR-05P

- ① Series No.
- ② Housing type: HR=Right angle
- ③ No. of circuits

B1502 SERIES

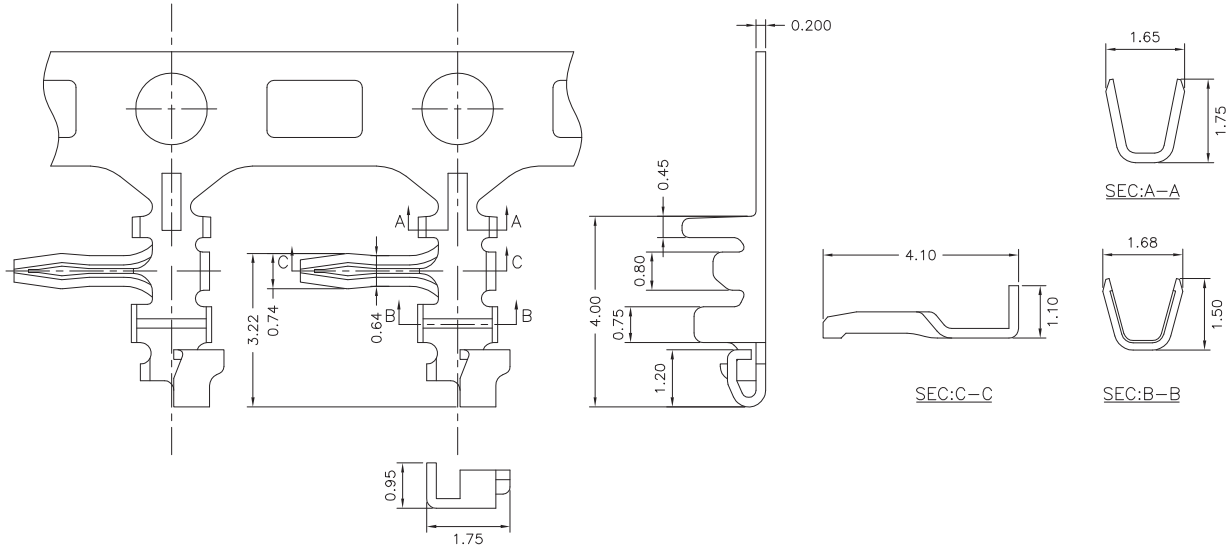
1.50mm pitch board-in connector

B1502R-T

1.50mm pitch 90° Crimp Terminal

Reference Informations:

*Used in B1502HR series Housing



A
B
C
F
ST
HRJ
DC

Ordering Information & Specifications:

Unit:mm

Part No.	Wire Range	Insulation O.D.	Material	Finish	Qty/reel
B1502R-TBE	AWG#28-#30	1.00mm(max)	Brass	Tin-plated	10,000pcs

Note:E-Stamping before Tin-plated

B1502HR

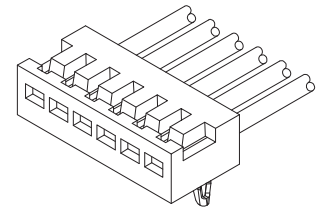
1.50mm pitch 90° Housing

Reference Informations:

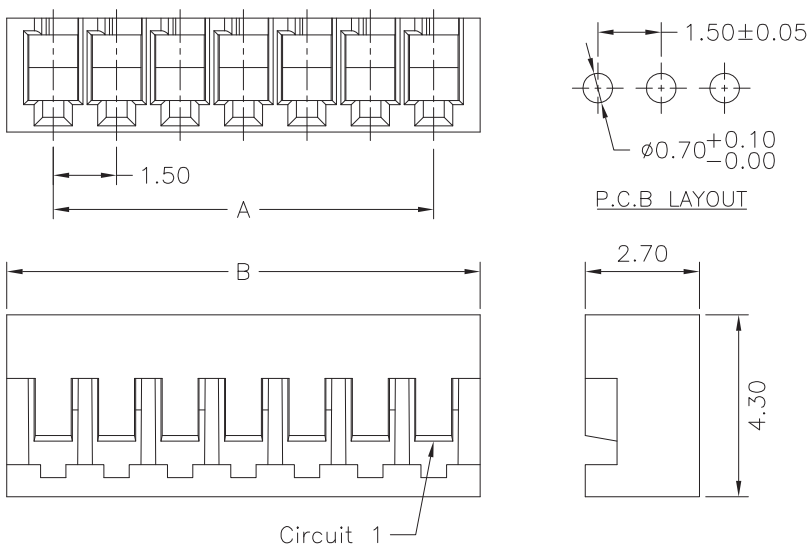
*Material: Nylon 66,UL94V-0

*Suitable B1502R series Terminal

B1502HR-05P		N	0	W	NP	N	00	G
		①	②	③	④	⑤	⑥	⑦
① N=Halogen Free								
② Material: 0=Nylon 66-V0								
③ Color: W=White								
④ Plating code: NP=Non-plating								
⑤ Plating code: N=Non-plating								
⑥ Option code: 00=Standard								
⑦ Packing code: G=Bag								



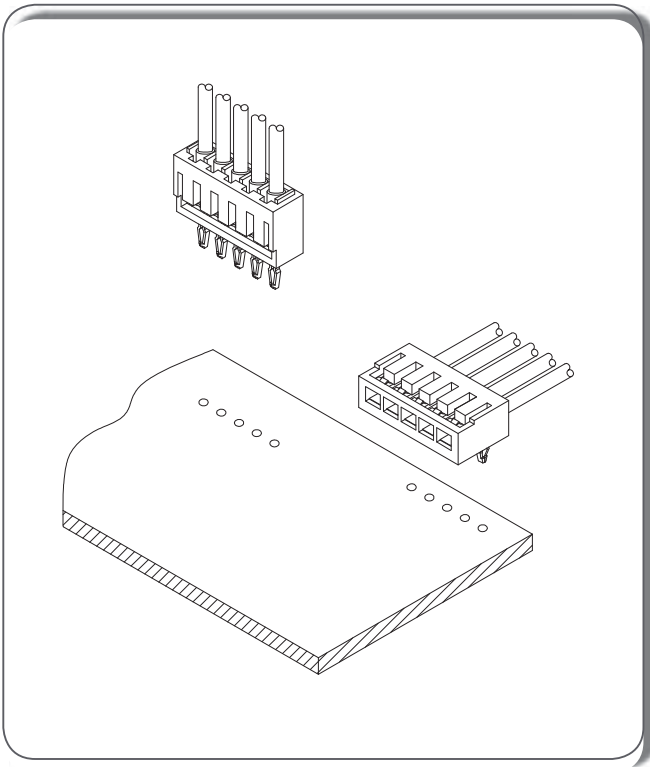
Ordering Information & Dimensions:



PART NO.	Dimensions	
	A	B
B1502HR-02P	1.50	3.70
B1502HR-03P	3.00	5.20
B1502HR-04P	4.50	6.70
B1502HR-05P	6.00	8.20
B1502HR-06P	7.50	9.70
B1502HR-07P	9.00	11.20
B1502HR-08P	10.50	12.70
B1502HR-09P	12.00	14.20
B1502HR-10P	13.50	15.70
B1502HR-11P	15.00	17.20
B1502HR-12P	16.50	18.70
B1502HR-13P	18.00	20.20
B1502HR-14P	19.50	21.70
B1502HR-15P	21.00	23.20

Unit:mm

A
B
C
F
ST
HRJ
DC

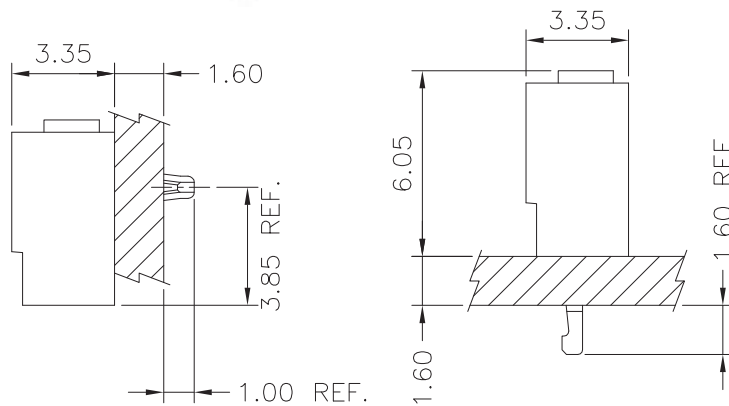


Specifications

Current rating: 2A AC,DC
 Voltage rating: 250V AC,DC
 Temperature range: -25°C ~ +85°C
 Contact resistance: 20mΩ Max.
 Insulation resistance: 1000MΩ Min.
 Withstanding voltage: 800V AC/minute

Standards

Assembly layout



Ordering code

① ② ③ ④ ⑤
B2011 V-T B E

- ① Series No.
- ② Terminal type: V=Vertical, R=Right angle
- ③ Plating code: T=Tin-plated
- ④ Material: B=Brass
- ⑤ E=Stamping before plating

① ② ③ ④
B2011 HV-05P -46

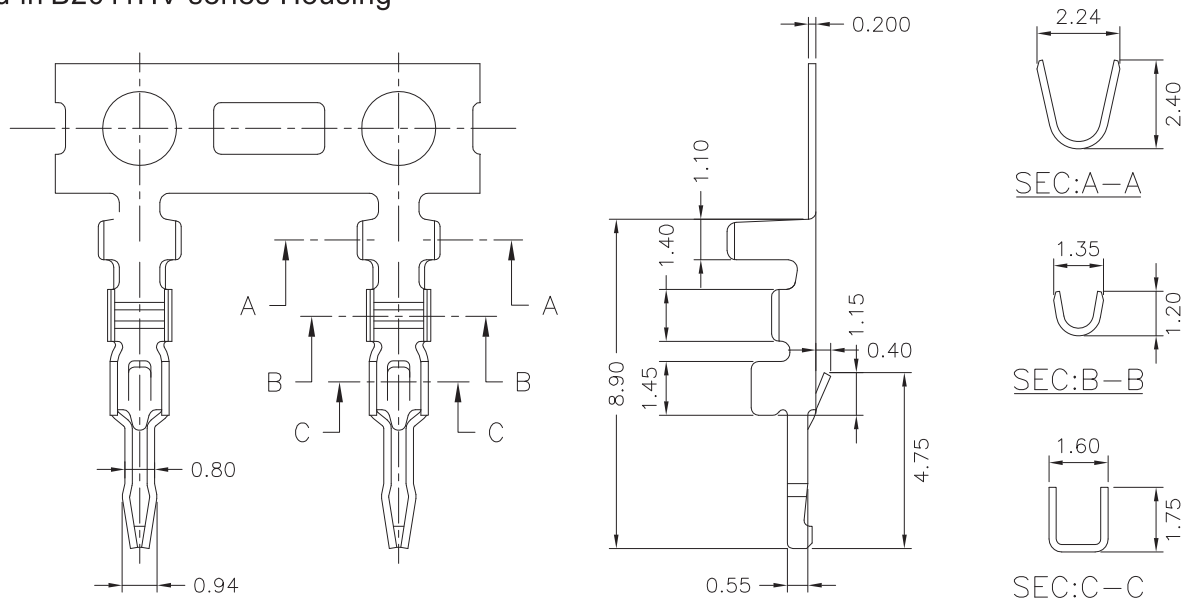
- ① Series No.
- ② Housing type: HV=Vertical, HR=Right angle
- ③ No. of circuits
- ④ Option code:
-46=Nylon 46

B2011V-T

—2.00mm pitch 180° Crimp Terminal—

Reference Informations:

*Used in B2011HV series Housing



Ordering Information & Specifications:

Unit:mm

Part No.	Wire Range	Insulation O.D.	Material	Finish	Qty/reel
B2011V-TBE	AWG#24-#30	1.30mm(max)	Brass	Tin-plated	10,000pcs

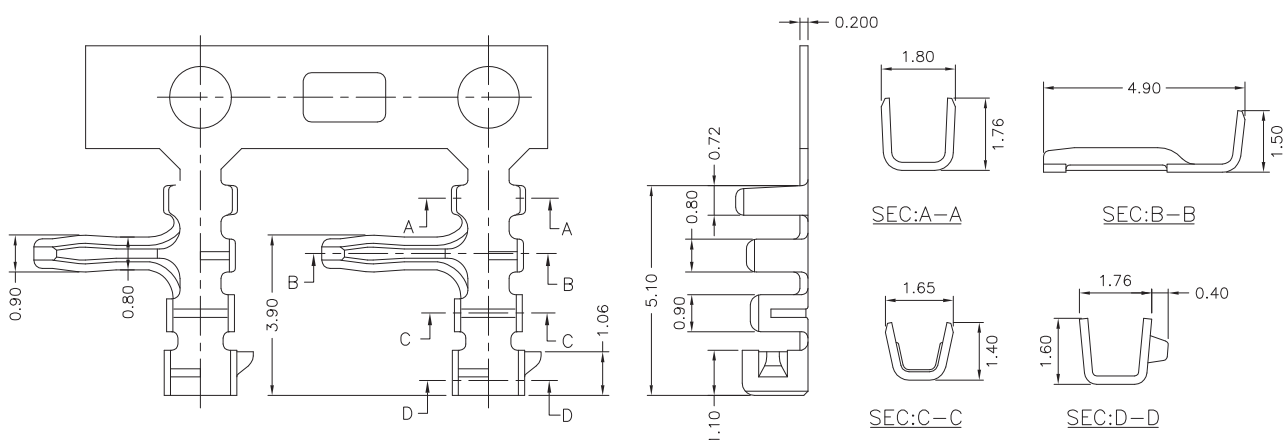
Note:E-Stamping before Tin-plated

B2011R-T

—2.00mm pitch 90° Crimp Terminal—

Reference Informations:

*Used in B2011HR series Housing



Ordering Information & Specifications:

Unit:mm

Part No.	Wire Range	Insulation O.D.	Material	Finish	Qty/reel
B2011R-TBE	AWG#24-#30	1.30mm(max)	Brass	Tin-plated	10,000pcs

Note:E-Stamping before Tin-plated

B2011 SERIES

2.00mm pitch board-in connector

B2011HV

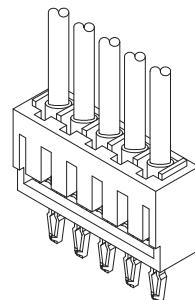
2.00mm pitch 180° Housing

Reference Informations:

- *Material: Nylon 66,UL94V-0
- *Suitable B2011V series Terminal
- *Nylon 46 is available

	B2011HV-05P	N	0	W	NP	N	00	G
		①	②	③	④	⑤	⑥	⑦

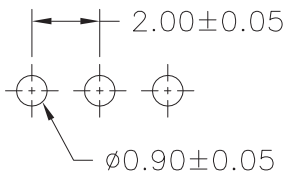
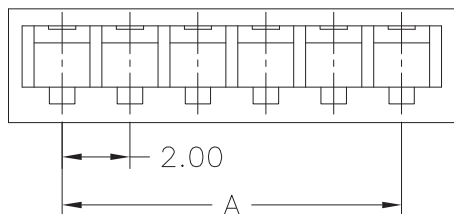
① N=Halogen Free
 ② Material: 0=Nylon 66-V0
 ③ Color: W=White
 ④ Plating code: NP=Non-plating
 ⑤ Plating code: N=Non-plating
 ⑥ Option code: 00=Standard
 ⑦ Packing code: G=Bag



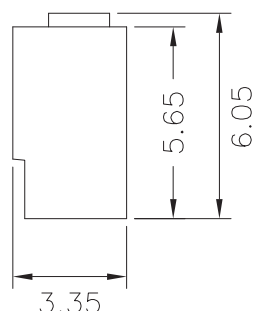
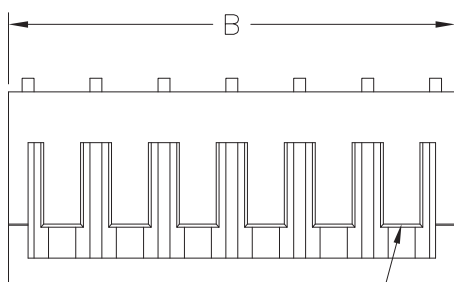
Ordering Information & Dimensions:

PART NO.	Dimensions	
	A	B
B2011HV-02P	2.00	5.15
B2011HV-03P	4.00	7.15
B2011HV-04P	6.00	9.15
B2011HV-05P	8.00	11.15
B2011HV-06P	10.00	13.15
B2011HV-07P	12.00	15.15
B2011HV-08P	14.00	17.15
B2011HV-09P	16.00	19.15
B2011HV-10P	18.00	21.15
B2011HV-11P	20.00	23.15
B2011HV-12P	22.00	25.15
B2011HV-13P	24.00	27.15
B2011HV-14P	26.00	29.15
B2011HV-15P	28.00	31.15
B2011HV-16P	30.00	33.15

Unit:mm



P.C.B. LAYOUT



Circuit 1

B2011HR

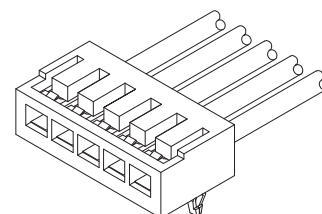
2.00mm pitch 90° Housing

Reference Informations:

- *Material: Nylon 66,UL94V-0
- *Suitable B2011R series Terminal
- *Nylon 46 is available

	B2011HR-05P	N	0	W	NP	N	00	G
		①	②	③	④	⑤	⑥	⑦

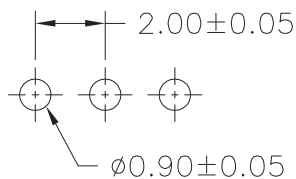
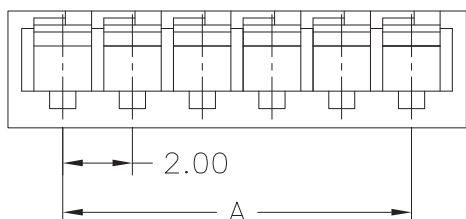
① N=Halogen Free
 ② Material: 0=Nylon 66-V0
 ③ Color: W=White
 ④ Plating code: NP=Non-plating
 ⑤ Plating code: N=Non-plating
 ⑥ Option code: 00=Standard
 ⑦ Packing code: G=Bag



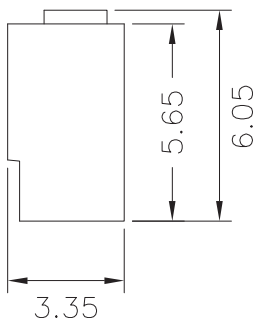
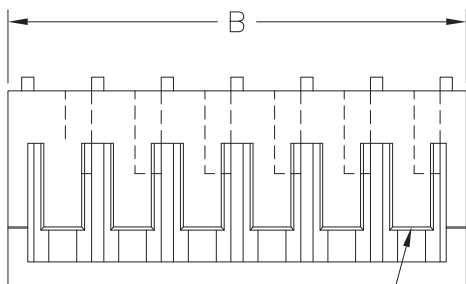
Ordering Information & Dimensions:

PART NO.	Dimensions	
	A	B
B2011HR-02P	2.00	5.15
B2011HR-03P	4.00	7.15
B2011HR-04P	6.00	9.15
B2011HR-05P	8.00	11.15
B2011HR-06P	10.00	13.15
B2011HR-07P	12.00	15.15
B2011HR-08P	14.00	17.15
B2011HR-09P	16.00	19.15
B2011HR-10P	18.00	21.15
B2011HR-11P	20.00	23.15
B2011HR-12P	22.00	25.15
B2011HR-13P	24.00	27.15
B2011HR-14P	26.00	29.15
B2011HR-15P	28.00	31.15
B2011HR-16P	30.00	33.15

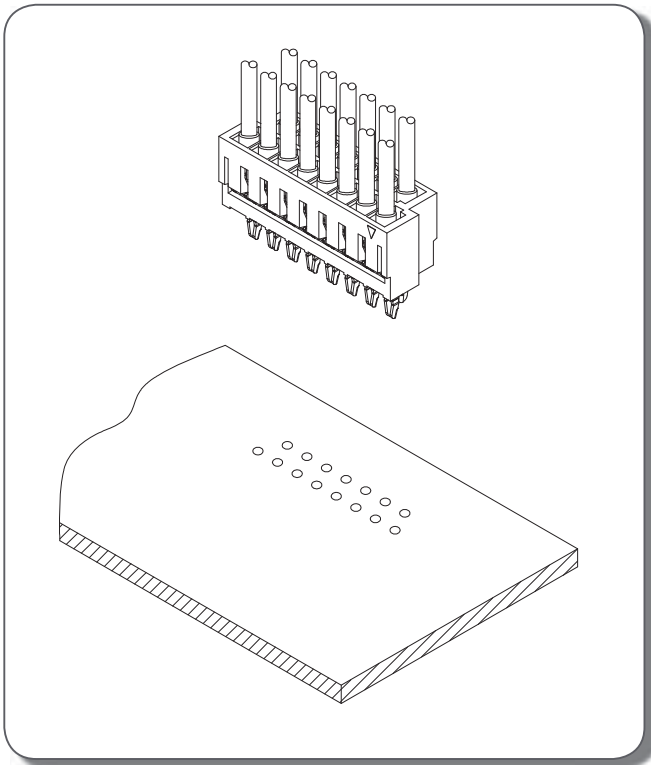
Unit:mm



P.C.B. LAYOUT



Circuit 1

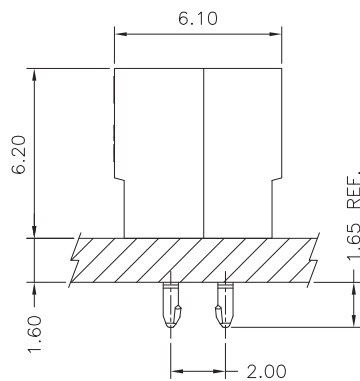


Specifications

Current rating: 2A AC,DC
Voltage rating: 250V AC,DC
Temperature range: -25°C ~ +85°C
Contact resistance: 20mΩ Max.
Insulation resistance: 1000MΩ Min.
Withstanding voltage: 800V AC/minute

A
B
C
F
ST
HRJ
DC

Assembly layout



Ordering code

① B2012 ② V-T ③ B ④ E

- ① Series No.
- ② Terminal type: V=Vertical
- ③ Plating code: T=Tin-plated
- ④ Material: B=Brass
- ⑤ E=Stamping before plating

① B2012 ② HV-05P

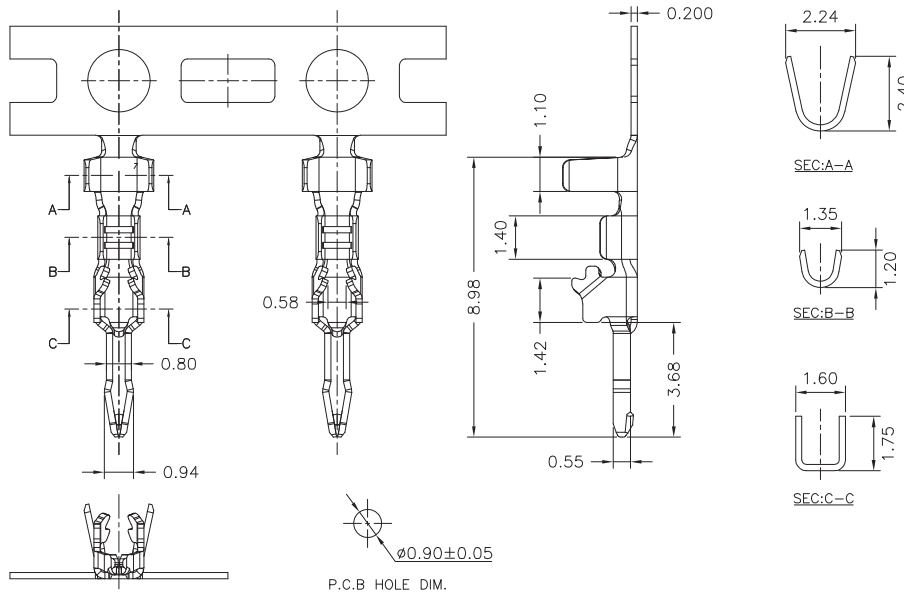
- ① Series No.
- ② Housing type: HV=Vertical
- ③ No. of circuits

B2012V-T

—2.00mm pitch 180° Crimp Terminal—

Reference Informations:

*Used in B2012HV series Housing



Ordering Information & Specifications:

Unit:mm

Part No.	Wire Range	Insulation O.D.	Material	Finish	Qty/reel
B2012V-TBE	AWG#24-#30	1.30mm(max)	Brass	Tin-plated	10,000pcs

Note:E-Stamping before Tin-plated

B2012HV

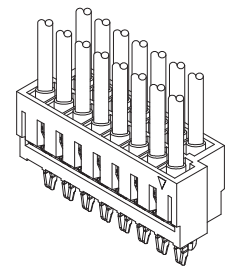
—2.00mm pitch 180° Dual Row Housing—

Reference Informations:

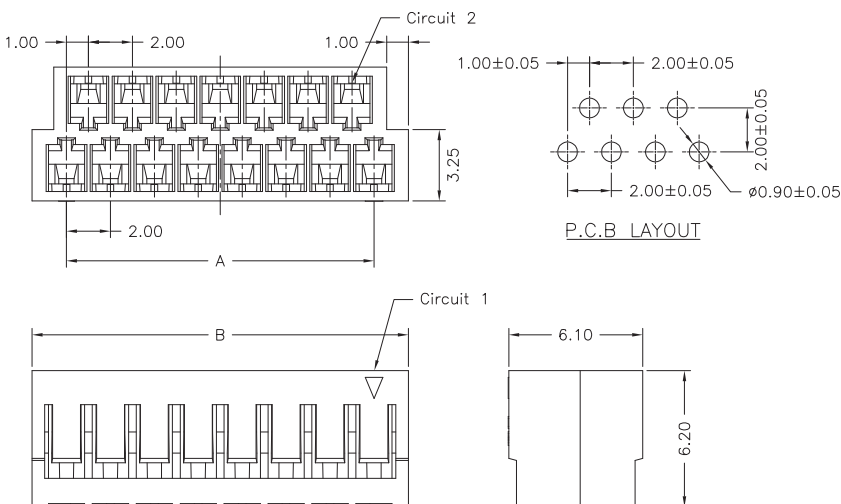
*Material: Nylon 46,UL94V-0

*Suitable B2012V series Terminal

B2012HV-05P		N	0	B	NP	N	00	G
		①	②	③	④	⑤	⑥	⑦
①	N=Halogen Free							
②	Material: 0=Nylon 66-V0							
③	Color: B=Black							
④	Plating code: NP=Non-plating							
⑤	Plating code: N=Non-plating							
⑥	Option code: 00=Standard							
⑦	Packing code: G=Bag							

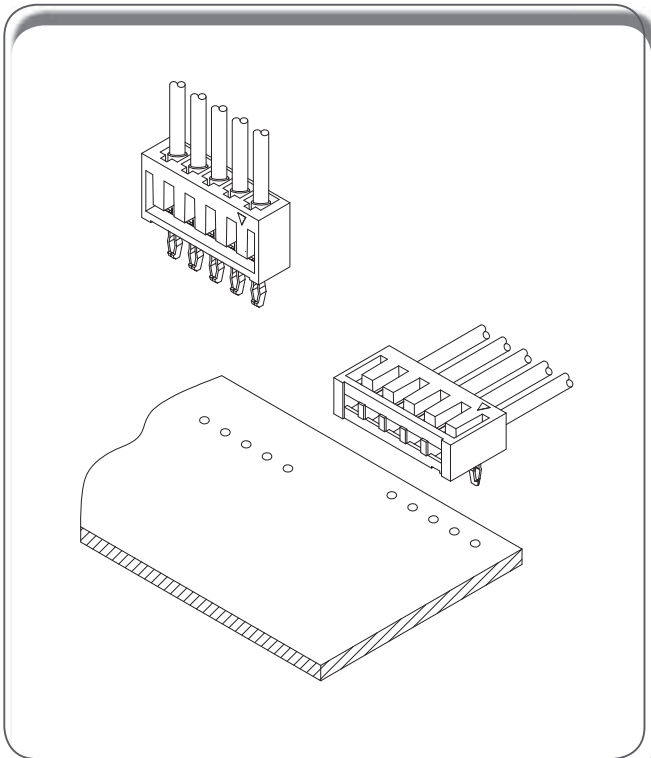


Ordering Information & Dimensions:



PART NO.	Dimensions	
	A	B
B2012HV-05P	4.00	7.15
B2012HV-07P	6.00	9.15
B2012HV-09P	8.00	11.15
B2012HV-11P	10.00	13.15
B2012HV-13P	12.00	15.15
B2012HV-15P	14.00	17.15
B2012HV-17P	16.00	19.15
B2012HV-19P	18.00	21.15
B2012HV-21P	20.00	23.15
B2012HV-23P	22.00	25.15
B2012HV-25P	24.00	27.15
B2012HV-27P	26.00	29.15
B2012HV-29P	28.00	31.15
B2012HV-31P	30.00	33.15

Unit:mm



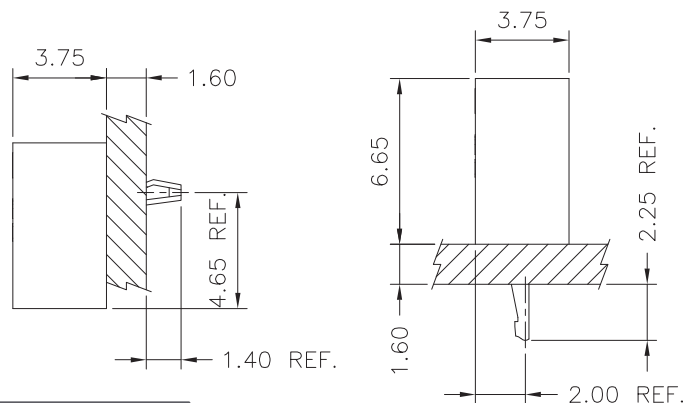
Specifications

Current rating: 3A AC,DC
 Voltage rating: 250V AC,DC
 Temperature range: -25°C ~ +85°C
 Contact resistance: 10mΩ Max.
 Insulation resistance: 1000MΩ Min.
 Withstanding voltage: 800V AC/minute

A
B
 C
 F
 ST
 HRJ
 DC

Standards

Assembly layout



Ordering code

① ② ③ ④ ⑤
B2512 V-T B E

- ① Series No.
- ② Terminal type: V=Vertical, R=Right angle
- ③ Plating code: T=Tin-plated
- ④ Material: B=Brass
- ⑤ E=Stamping before plating

① ② ③ ④ ⑤
B2512 HV A-05P -46

- ① Series No.
- ② Housing type: HV=Vertical, HR=Right angle
- ③ Blank=Normal type, A=A type
- ④ No. of circuits
- ⑤ Option code:
 -46=Nylon 46

B2512 SERIES

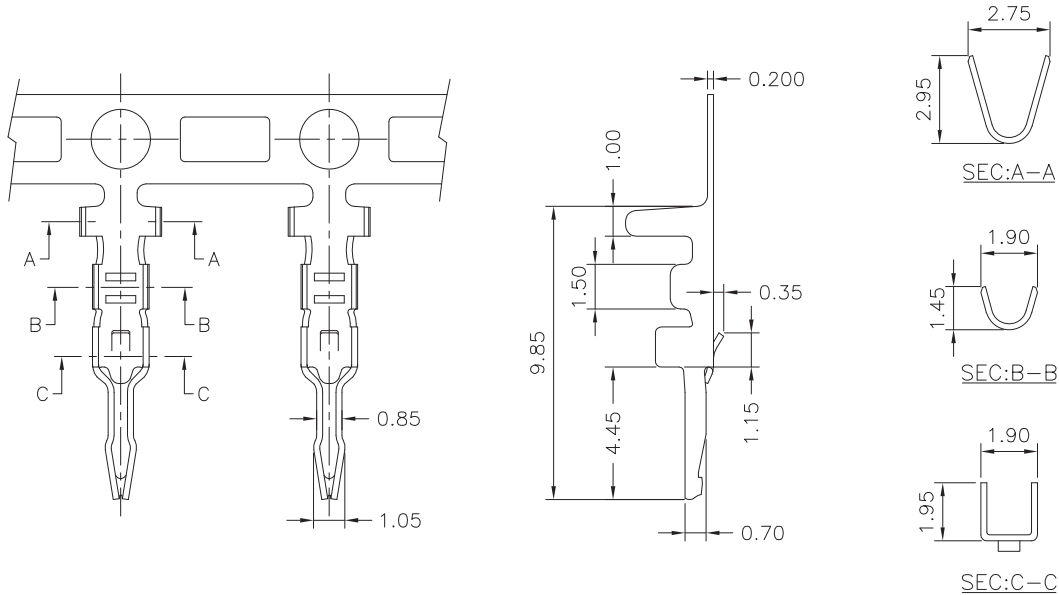
2.50mm pitch board-in connector

B2512V-T

—2.50mm pitch 180° Crimp Terminal—

Reference Informations:

*Used in B2512HV series Housing



Ordering Information & Specifications:

Unit:mm

Part No.	Wire Range	Insulation O.D.	Material	Finish	Qty/reel
B2512V-TBE	AWG#22-#28	1.70mm(max)	Brass	Tin-plated	10,000pcs

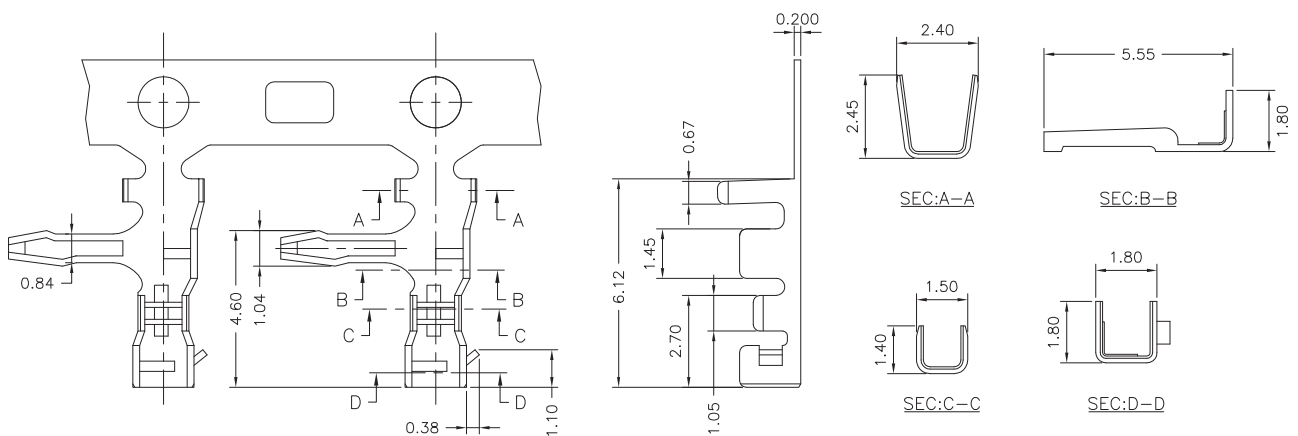
Note:E-Stamping before Tin-plated

B2512R-T

—2.50mm pitch 90° Crimp Terminal—

Reference Informations:

*Used in B2512HR series Housing



Ordering Information & Specifications:

Unit:mm

Part No.	Wire Range	Insulation O.D.	Material	Finish	Qty/reel
B2512R-TBE	AWG#22-#28	1.70mm(max)	Brass	Tin-plated	10,000pcs

Note:E-Stamping before Tin-plated

B2512 SERIES

2.50mm pitch board-in connector

B2512HV

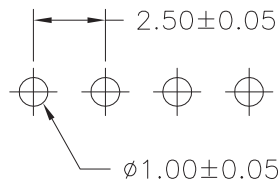
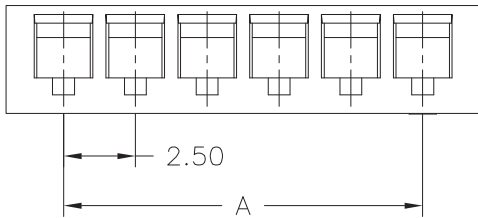
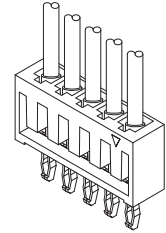
— 2.50mm pitch 180° Housing —

Reference Informations:

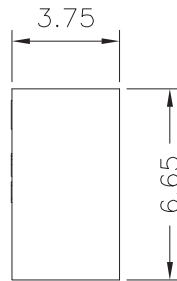
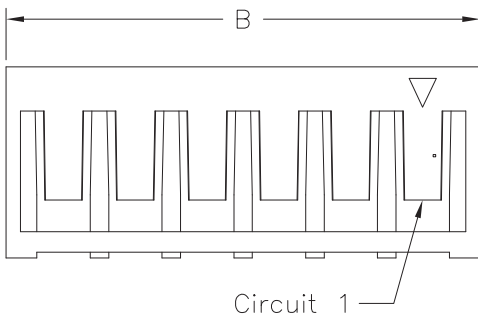
- *Material: Nylon 66,UL94V-0
- *Suitable B2512V series Terminal
- *Nylon 46 is available

	B2512HV-05P	N	0	W	NP	N	00	G
		①	②	③	④	⑤	⑥	⑦

- ① N=Halogen Free
- ② Material: 0=Nylon 66-V0
- ③ Color: W=White
- ④ Plating code: NP=Non-plating
- ⑤ Plating code: N=Non-plating
- ⑥ Option code: 00=Standard
- ⑦ Packing code: G=Bag



P.C.B. LAYOUT



Ordering Information & Dimensions:

PART NO.	Dimensions	
	A	B
B2512HV-02P	2.50	6.50
B2512HV-03P	5.00	9.00
B2512HV-04P	7.50	11.50
B2512HV-05P	10.00	14.00
B2512HV-06P	12.50	16.50
B2512HV-07P	15.00	19.00
B2512HV-08P	17.50	21.50
B2512HV-09P	20.00	24.00
B2512HV-10P	22.50	26.50
B2512HV-11P	25.00	29.00
B2512HV-12P	27.50	31.50
B2512HV-13P	30.00	34.00
B2512HV-14P	32.50	36.50
B2512HV-15P	35.00	39.00
B2512HV-16P	37.50	41.50

Unit:mm

A
B
C
F
ST
HRJ
DC

B2512HR

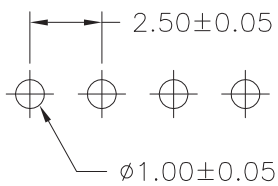
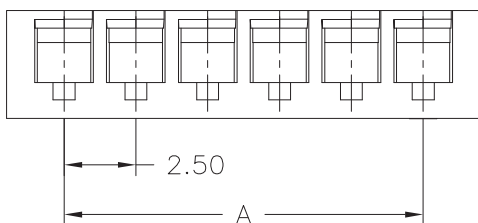
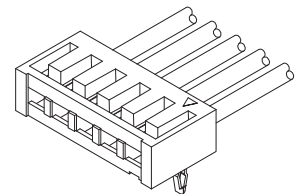
— 2.50mm pitch 90° Housing —

Reference Informations:

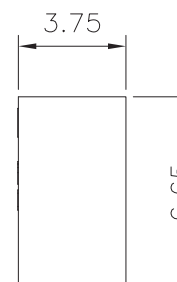
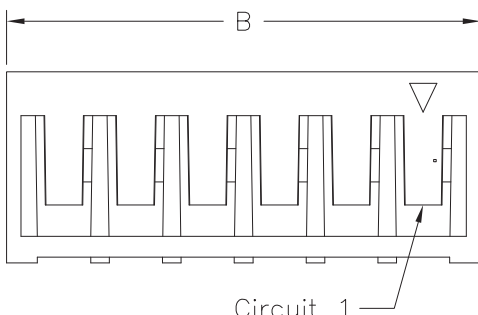
- *Material: Nylon 66,UL94V-0
- *Suitable B2512R series Terminal
- *Nylon 46 is available

	B2512HR-05P	N	0	W	NP	N	00	G
		①	②	③	④	⑤	⑥	⑦

- ① N=Halogen Free
- ② Material: 0=Nylon 66-V0
- ③ Color: W=White
- ④ Plating code: NP=Non-plating
- ⑤ Plating code: N=Non-plating
- ⑥ Option code: 00=Standard
- ⑦ Packing code: G=Bag



P.C.B. LAYOUT



Ordering Information & Dimensions:

PART NO.	Dimensions	
	A	B
B2512HR-02P	2.50	6.50
B2512HR-03P	5.00	9.00
B2512HR-04P	7.50	11.50
B2512HR-05P	10.00	14.00
B2512HR-06P	12.50	16.50
B2512HR-07P	15.00	19.00
B2512HR-08P	17.50	21.50
B2512HR-09P	20.00	24.00
B2512HR-10P	22.50	26.50
B2512HR-11P	25.00	29.00
B2512HR-12P	27.50	31.50
B2512HR-13P	30.00	34.00
B2512HR-14P	32.50	36.50
B2512HR-15P	35.00	39.00
B2512HR-16P	37.50	41.50

Unit:mm

B2512 SERIES

2.50mm pitch board-in connector

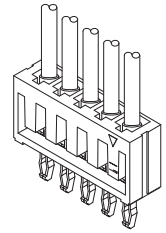
B2512HVA

—2.50mm pitch 180° Housing—

Reference Informations:

- *Material: Nylon 66,UL94V-0
- *Suitable B2512V series Terminal
- *Nylon 46 is available

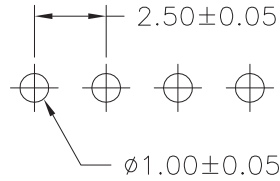
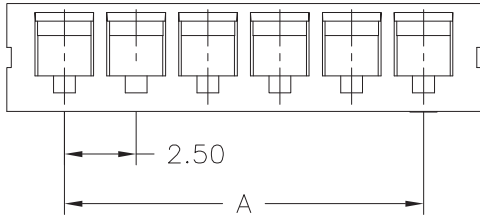
	B2512HVA-05P	N	0	W	NP	N	00	G
		①	②	③	④	⑤	⑥	⑦
①	N=Halogen Free							
②	Material: 0=Nylon 66-V0							
③	Color: W=White							
④	Plating code: NP=Non-plating							
⑤	Plating code: N=Non-plating							
⑥	Option code: 00=Standard							
⑦	Packing code: G=Bag							



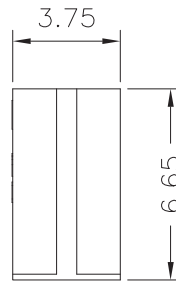
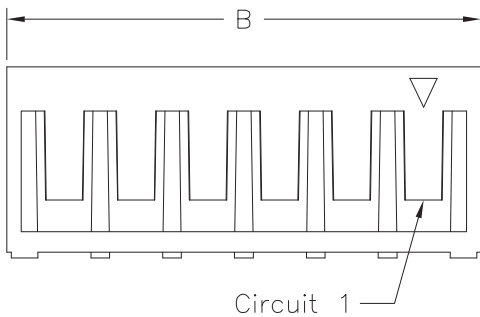
Ordering Information & Dimensions:

PART NO.	Dimensions	
	A	B
B2512HVA-02P	2.50	6.50
B2512HVA-03P	5.00	9.00
B2512HVA-04P	7.50	11.50
B2512HVA-05P	10.00	14.00
B2512HVA-06P	12.50	16.50
B2512HVA-07P	15.00	19.00
B2512HVA-08P	17.50	21.50
B2512HVA-09P	20.00	24.00
B2512HVA-10P	22.50	26.50
B2512HVA-11P	25.00	29.00
B2512HVA-12P	27.50	31.50
B2512HVA-13P	30.00	34.00
B2512HVA-14P	32.50	36.50
B2512HVA-15P	35.00	39.00
B2512HVA-16P	37.50	41.50

Unit:mm



P.C.B LAYOUT



A
B
C
F
ST
HRJ
DC

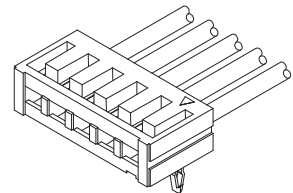
B2512HRA

—2.50mm pitch 90° Housing—

Reference Informations:

- *Material: Nylon 66,UL94V-0
- *Suitable B2512R series Terminal
- *Nylon 46 is available

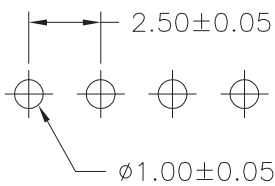
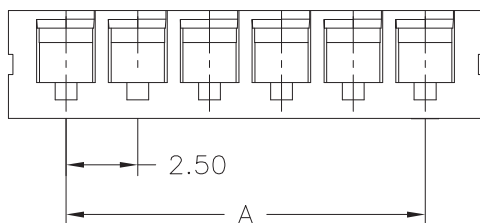
	B2512HRA-05P	N	0	W	NP	N	00	G
		①	②	③	④	⑤	⑥	⑦
①	N=Halogen Free							
②	Material: 0=Nylon 66-V0							
③	Color: W=White							
④	Plating code: NP=Non-plating							
⑤	Plating code: N=Non-plating							
⑥	Option code: 00=Standard							
⑦	Packing code: G=Bag							



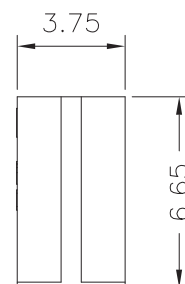
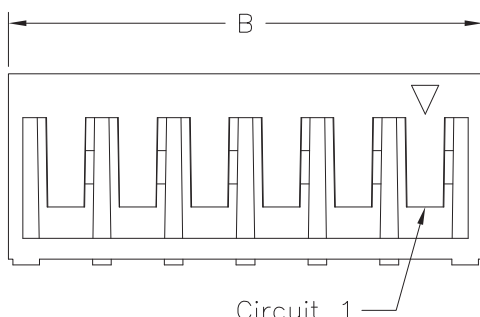
Ordering Information & Dimensions:

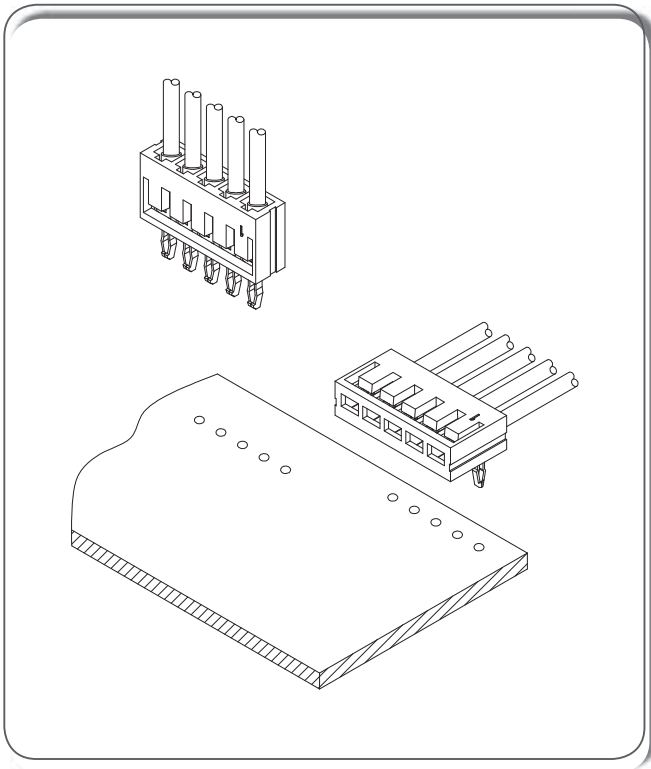
PART NO.	Dimensions	
	A	B
B2512HRA-02P	2.50	6.50
B2512HRA-03P	5.00	9.00
B2512HRA-04P	7.50	11.50
B2512HRA-05P	10.00	14.00
B2512HRA-06P	12.50	16.50
B2512HRA-07P	15.00	19.00
B2512HRA-08P	17.50	21.50
B2512HRA-09P	20.00	24.00
B2512HRA-10P	22.50	26.50
B2512HRA-11P	25.00	29.00
B2512HRA-12P	27.50	31.50
B2512HRA-13P	30.00	34.00
B2512HRA-14P	32.50	36.50
B2512HRA-15P	35.00	39.00
B2512HRA-16P	37.50	41.50

Unit:mm



P.C.B LAYOUT





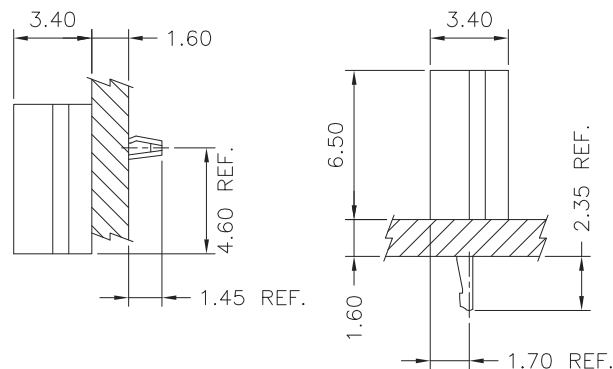
Specifications

Current rating: 3A AC,DC
Voltage rating: 250V AC,DC
Temperature range: -25°C ~ +85°C
Contact resistance: 10mΩ Max.
Insulation resistance: 1000MΩ Min.
Withstanding voltage: 800V AC/minute

A
B
C
F
ST
HRJ
DC

Standards

Assembly layout



Ordering code

① B2513 ② HV ③ 05P

- ① Series No.
- ② Housing type: HV=Vertical, HR=Right angle
- ③ No. of circuits

B2513 SERIES

2.50mm pitch board-in connector

B2513HV

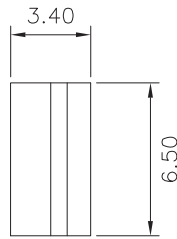
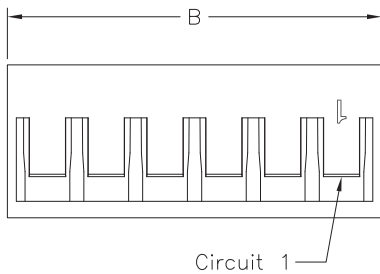
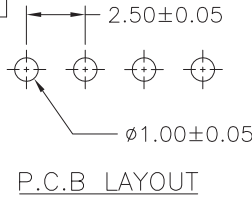
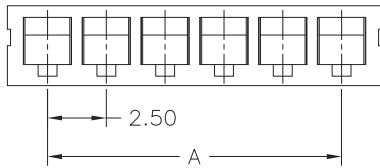
—2.50mm pitch 180° Housing

Reference Informations:

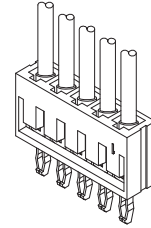
*Material: Nylon 66,UL94V-0

*Suitable B2512V series Terminal

	B2513HV-05P	N	0	W	NP	N	00	G
		①	②	③	④	⑤	⑥	⑦
①	N=Halogen Free							
②	Material: 0=Nylon 66-V0							
③	Color: W=White							
④	Plating code: NP=Non-plating							
⑤	Plating code: N=Non-plating							
⑥	Option code: 00=Standard							
⑦	Packing code: G=Bag							



Circuit 1



Ordering Information & Dimensions:

PART NO.	Dimensions	
	A	B
B2513HV-02P	2.50	5.90
B2513HV-03P	5.00	8.40
B2513HV-04P	7.50	10.90
B2513HV-05P	10.00	13.40
B2513HV-06P	12.50	15.90
B2513HV-07P	15.00	18.40
B2513HV-08P	17.50	20.90
B2513HV-09P	20.00	23.40
B2513HV-10P	22.50	25.90
B2513HV-11P	25.00	28.40
B2513HV-12P	27.50	30.90
B2513HV-13P	30.00	33.40
B2513HV-14P	32.50	35.90
B2513HV-15P	35.00	38.40
B2513HV-16P	37.50	40.90

Unit:mm

B2513HR

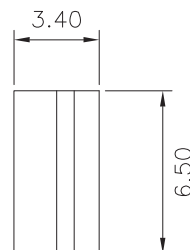
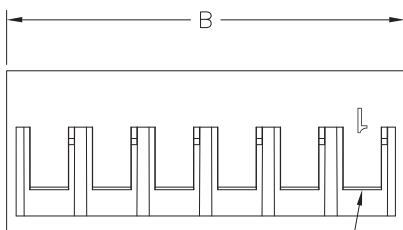
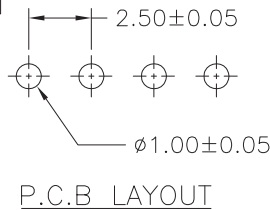
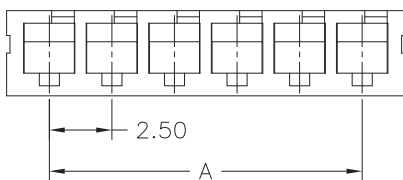
—2.50mm pitch 90° Housing

Reference Informations:

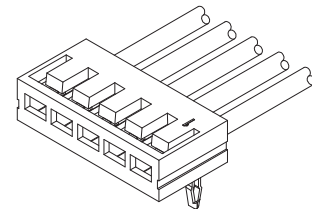
*Material: Nylon 66,UL94V-0

*Suitable B2512R series Terminal

	B2513HR-05P	N	0	W	NP	N	00	G
		①	②	③	④	⑤	⑥	⑦
①	N=Halogen Free							
②	Material: 0=Nylon 66-V0							
③	Color: W=White							
④	Plating code: NP=Non-plating							
⑤	Plating code: N=Non-plating							
⑥	Option code: 00=Standard							
⑦	Packing code: G=Bag							



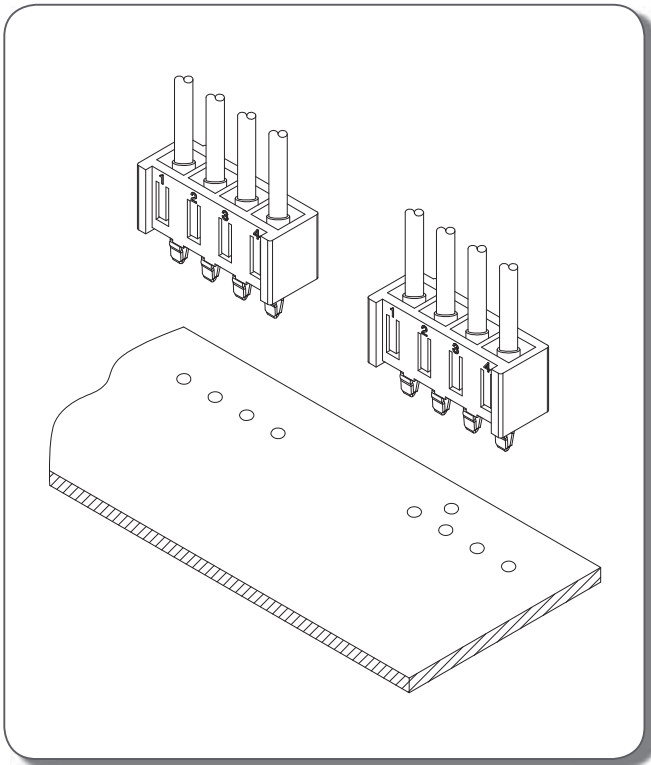
Circuit 1



Ordering Information & Dimensions:

PART NO.	Dimensions	
	A	B
B2513HR-02P	2.50	5.90
B2513HR-03P	5.00	8.40
B2513HR-04P	7.50	10.90
B2513HR-05P	10.00	13.40
B2513HR-06P	12.50	15.90
B2513HR-07P	15.00	18.40
B2513HR-08P	17.50	20.90
B2513HR-09P	20.00	23.40
B2513HR-10P	22.50	25.90
B2513HR-11P	25.00	28.40
B2513HR-12P	27.50	30.90
B2513HR-13P	30.00	33.40
B2513HR-14P	32.50	35.90
B2513HR-15P	35.00	38.40
B2513HR-16P	37.50	40.90

Unit:mm

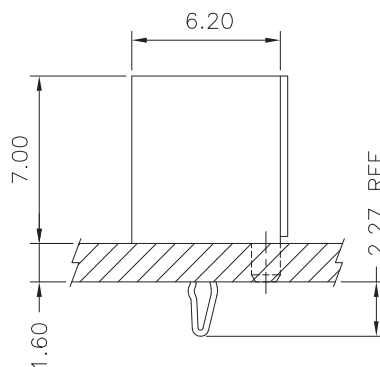


Specifications

Current rating: 7A AC,DC
 Voltage rating: 250V AC,DC
 Temperature range: -25°C ~ +85°C
 Contact resistance: 10mΩ Max.
 Insulation resistance: 1000MΩ Min.
 Withstanding voltage: 1500V AC/minute

A
 B
 C
 F
 ST
 HRJ
 DC

Assembly layout



Ordering code

① B3965 ② V ③ T ④ P ⑤ E

- ① Series No.
- ② Terminal type: V=Vertical
- ③ Plating code: T=Tin-plated
- ④ Material: P=Phosphor bronze
- ⑤ E=Stamping before plating

① B3965 ② HV ③ -F ④ -05P

- ① Series No.
- ② Housing type: HV=Vertical
- ③ Blank=Normal type
-F=With boss
- ④ No. of circuits

B3965 SERIES

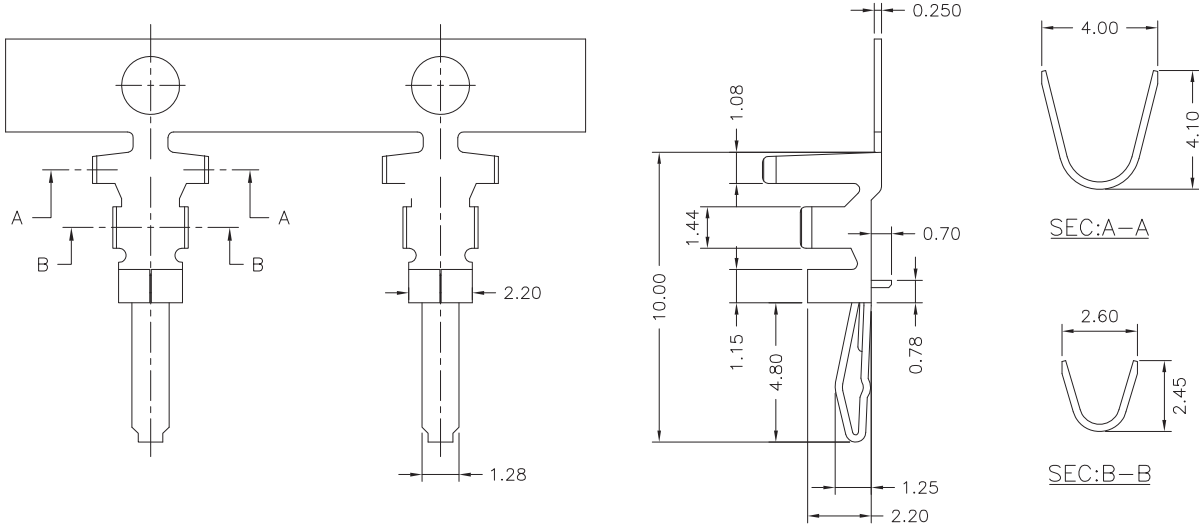
3.96mm pitch board-in connector

B3965V-T

3.96mm pitch 180° Crimp Terminal

Reference Informations:

*Used in B3965HV series Housing



Ordering Information & Specifications:

Unit:mm

Part No.	Wire Range	Insulation O.D.	Material	Finish	Qty/reel
B3965V-TPE	AWG#18-#22	3.00mm(max)	Phosphor Bronze	Tin-plated	5,000pcs

Note:E-Stamping before Tin-plated

B3965HV

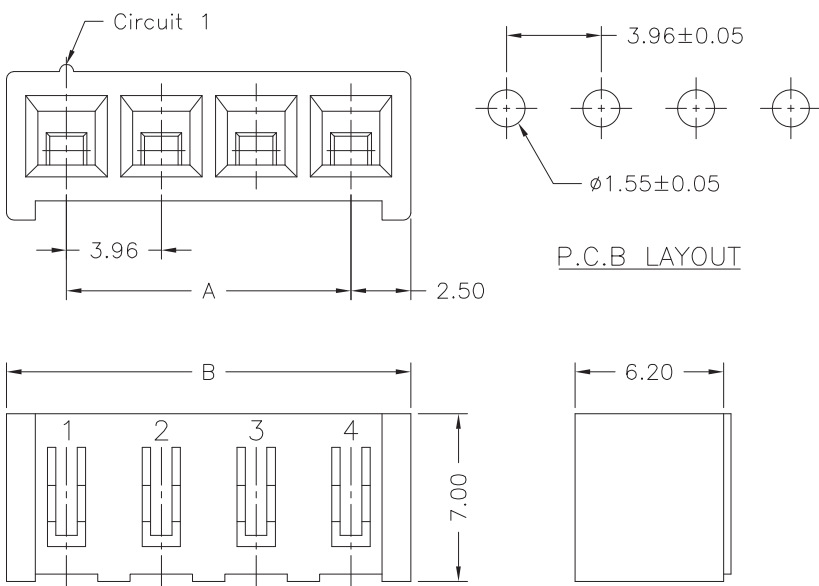
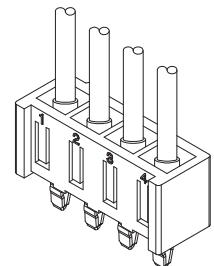
3.96mm pitch 180° Housing

Reference Informations:

*Material: Nylon 66,UL94V-0

*Suitable B3965V series Terminal

B3965HV-05P		N	Q	W	NP	N	00	G
		①	②	③	④	⑤	⑥	⑦
① N=Halogen Free								
② Material: 0=Nylon 66-V0								
③ Color: W=White								
④ Plating code: NP=Non-plating								
⑤ Plating code: N=Non-plating								
⑥ Option code: 00=Standard								
⑦ Packing code: G=Bag								



Ordering Information & Dimensions:

PART NO.	Dimensions	
	A	B
B3965HV-02P	3.96	8.96
B3965HV-03P	7.92	12.92
B3965HV-04P	11.88	16.88
B3965HV-05P	15.84	20.84
B3965HV-06P	19.80	24.80
B3965HV-07P	23.76	28.76
B3965HV-08P	27.72	32.72
B3965HV-09P	31.68	36.68
B3965HV-10P	35.64	40.64
B3965HV-11P	39.60	44.60
B3965HV-12P	43.56	48.56
B3965HV-13P	47.52	52.52
B3965HV-14P	51.48	56.48
B3965HV-15P	55.44	60.44

Unit:mm

B3965HV-F

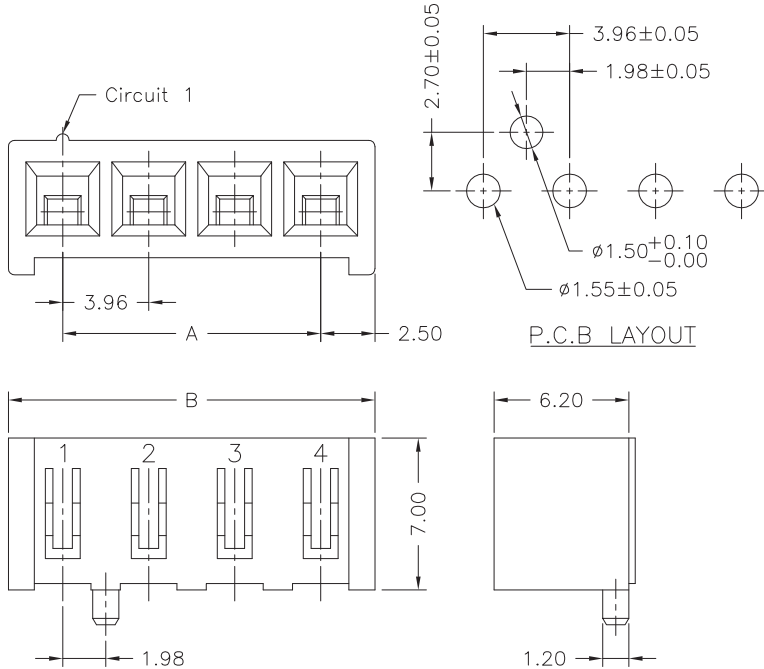
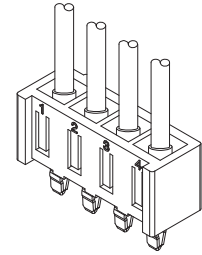
3.96mm pitch 180° Housing With Polarizing Peg

Reference Informations:

*Material: Nylon 66,UL94V-0

*Suitable B3965V series Terminal

	B3965HV-F-05P						
	N	0	W	NP	N	00	G
①	②	③	④	⑤	⑥	⑦	
① N=Halogen Free ② Material: 0=Nylon 66-V0 ③ Color: W=White ④ Plating code: NP=Non-plating ⑤ Plating code: N=Non-plating ⑥ Option code: 00=Standard ⑦ Packing code: G=Bag							

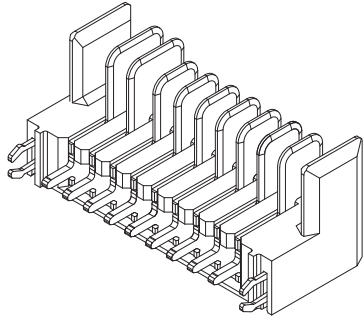


Ordering Information & Dimensions:

PART NO.	Dimensions	
	A	B
B3965HV-F-02P	3.96	8.96
B3965HV-F-03P	7.92	12.92
B3965HV-F-04P	11.88	16.88
B3965HV-F-05P	15.84	20.84
B3965HV-F-06P	19.80	24.80
B3965HV-F-07P	23.76	28.76
B3965HV-F-08P	27.72	32.72
B3965HV-F-09P	31.68	36.68
B3965HV-F-10P	35.64	40.64
B3965HV-F-11P	39.60	44.60
B3965HV-F-12P	43.56	48.56
B3965HV-F-13P	47.52	52.52
B3965HV-F-14P	51.48	56.48
B3965HV-F-15P	55.44	60.44

Unit:mm





Specifications

Current rating: 8A AC,DC
Voltage rating: 500V AC,DC
Temperature range: -25°C ~ +85°C
Contact resistance: 30mΩ Max.
Insulation resistance: 100MΩ Min.
Withstanding voltage: 500V AC/minute

Ordering code

① BTP2002 ② 09

- ① Series No.
- ② No. of circuits

BTP2002

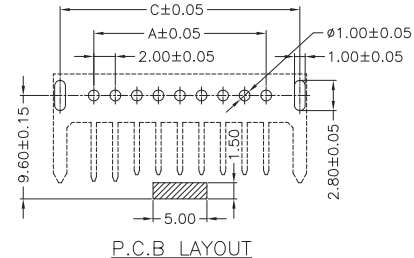
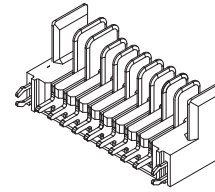
— 2.00mm pitch battery connector male type —

Reference Informations:

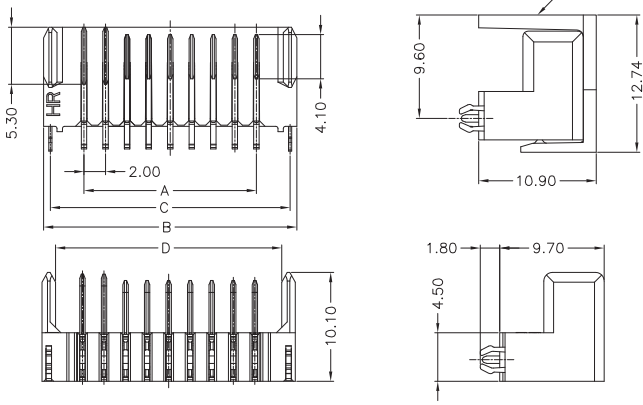
- *Material: Pin: Brass/Gold-plated
- Forklock: Brass/Matte Tin-plated
- Housing: LCP,UL94V-0,Natural(Black)
- Cap: LCP,UL94V-0,Natural(Black)

 BTP2002 XX- N L B S2 T 00 L

① N=Halogen Free
 ② Material: L=LCP UL94V-0
 ③ Color: B=Black
 ④ Plating code for contacts: S2=Gold-plated 3u" on contact area, Gold-flash on solder area
 ⑤ Plating code: T=Matte Tin-plated
 ⑥ Option code: 00=Standard
 ⑦ Packing code: L=Tape & Reel(With Cap)



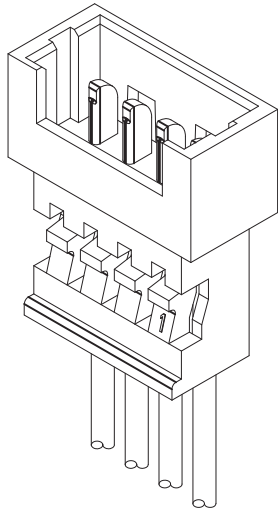
A
 B
 C
 F
 ST
 HRJ
 DC



Ordering Information & Dimensions:

PART NO.	Dimensions			
	A	B	C	D
BTP200205NLBS2T00L	8.00	15.50	14.25	13.00
BTP200206NLBS2T00L	10.00	17.50	16.25	15.00
BTP200207NLBS2T00L	12.00	19.50	18.25	17.00
BTP200208NLBS2T00L	14.00	21.50	20.25	19.00
BTP200209NLBS2T00L	16.00	23.50	22.25	21.00
BTP200210NLBS2T00L	18.00	25.50	24.25	23.00
BTP200211NLBS2T00L	20.00	27.50	26.25	25.00
BTP200212NLBS2T00L	22.00	29.50	28.25	27.00

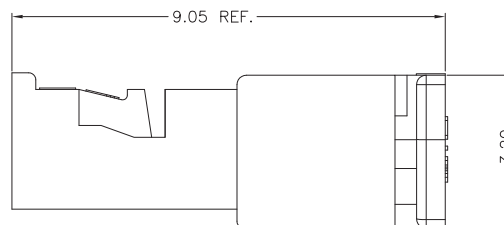
Unit:mm



Specifications

Current rating: 1A AC,DC
Voltage rating: 125V AC,DC
Temperature range: -25°C ~ +85°C
Contact resistance: 20mΩ Max.
Insulation resistance: 100MΩ Min.
Withstanding voltage: 500V AC/minute

Assembly layout



Ordering code

① ② ③ ④ ⑤
C1250 M-T P E

- ① Series No.
- ② Terminal type: M=Male
- ③ Plating code: T=Tin-plated
- ④ Material: P=Phosphor bronze
- ⑤ E=Stamping before plating

① ② ③
C1250 HM-06P

- ① Series No.
- ② Housing type: HM=Plug
- ③ No. of circuits

C1250 SERIES

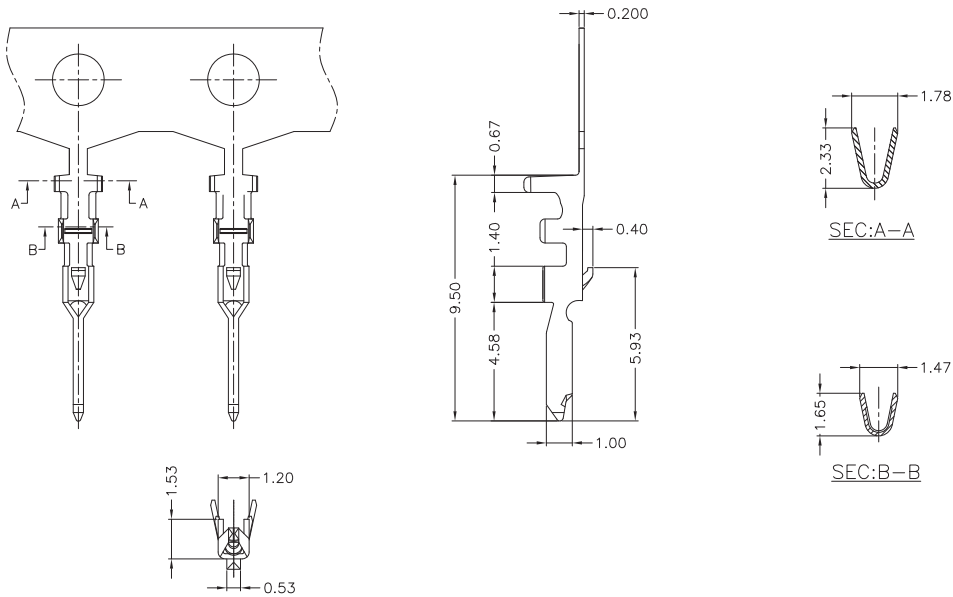
1.25mm pitch wire to wire connector

C1250M-T

1.25mm pitch Crimp Terminal

Reference Informations:

*Use in C1250HM serie Housing



A
B
C
F
ST
HRJ
DC

Ordering Information & Specifications:

Unit:mm

Part No.	Wire Range	Insulation O.D.	Material	Finish	Qty/reel
C1250M-TPE	AWG#28-#32	1.00mm(max)	Phosphor Bronze	Tin-plated	10,000pcs

C1250HM

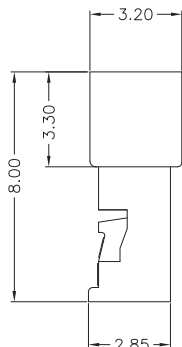
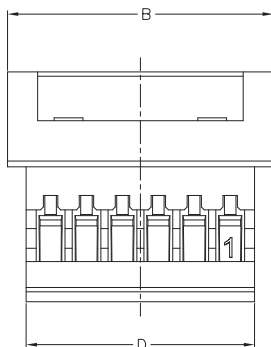
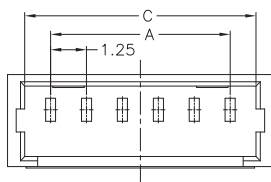
1.25mm pitch Housing-Plug

Reference Informations:

*Material: Nylon 66 UL94V-0

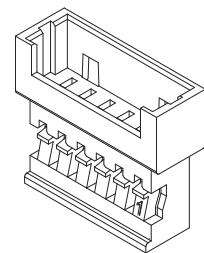
*Suitable C1250M serie Terminal

*Mates with A1250 serie Housing



	C1250HM-06P						
	N	0	W	NP	N	00	G
①	②	③	④	⑤	⑥	⑦	

① N=Halogen Free
 ② Material: 0=Nylon 66-V0
 ③ Color: W=Natural(White)
 ④ Plating code: NP=Non-plating
 ⑤ Plating code: N=Non-plating
 ⑥ Option code: 00=Standard
 ⑦ Packing code: G=Bag



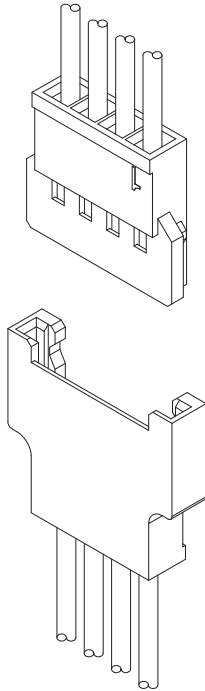
Ordering Information & Dimensions:

PART NO.	Dimensions			
	A	B	C	D
C1250HM-02P	1.25	4.25	3.05	2.95
C1250HM-03P	2.50	5.50	4.30	4.20
C1250HM-04P	3.75	6.75	5.55	5.45
C1250HM-05P	5.00	8.00	6.80	6.70
C1250HM-06P	6.25	9.25	8.05	7.95
C1250HM-07P	7.50	10.50	9.30	9.20
C1250HM-08P	8.75	11.75	10.55	10.45
C1250HM-09P	10.00	13.00	11.80	11.70
C1250HM-10P	11.25	14.25	13.05	12.95

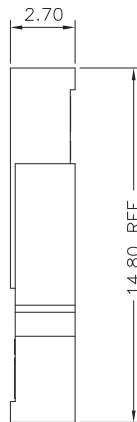
Unit:mm

Specifications

Current rating: 2A AC,DC
Voltage rating: 125V AC,DC
Temperature range: -25°C ~ +85°C
Contact resistance: 20mΩ Max.
Insulation resistance: 1000MΩ Min.
Withstanding voltage: 500V AC/minute



Assembly layout



Ordering code

① C2003 ② F-T ③ B ④ E

- ① Series No.
- ② Terminal type: F=Female, M=Male
- ③ Plating code: T=Tin-plated
- ④ Material: B=Brass
- ⑤ E=Stamping before plating

① C2003 ② HF-05P

- ① Series No.
- ② Housing type: HF=Receptacle
HM=Plug
- ③ No. of circuits

C2003 SERIES

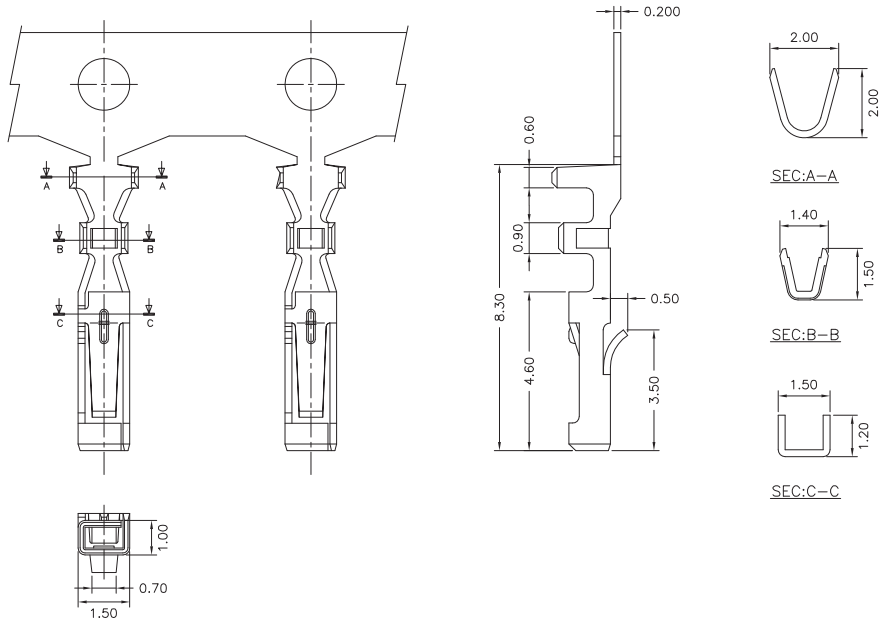
2.00mm pitch wire to wire connector

C2003F-T

2.00mm pitch Crimp Terminal

Reference Informations:

*Used in C2003HF series Housing



A
B
C
F
ST
HRJ
DC

Ordering Information & Specifications:

Unit:mm

Part No.	Wire Range	Insulation O.D.	Material	Finish	Qty/reel
C2003F-TBE	AWG#24-#28	1.15mm(max)	Brass	Tin-plated	10,000pcs

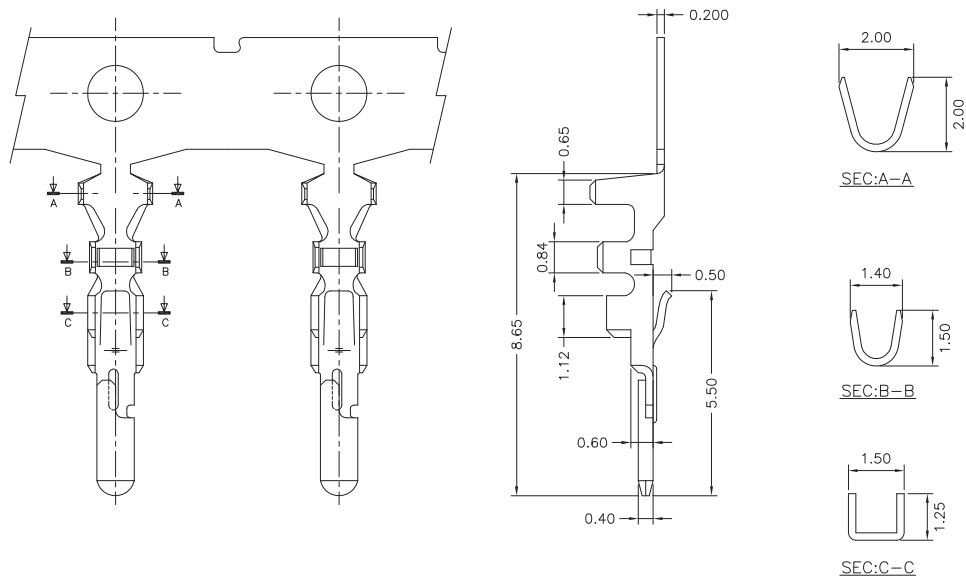
Note:E-Stamping before Tin-plated

C2003M-T

2.00mm pitch Crimp Terminal

Reference Informations:

*Used in C2003HM series Housing



Ordering Information & Specifications:

Unit:mm

Part No.	Wire Range	Insulation O.D.	Material	Finish	Qty/reel
C2003M-TBE	AWG#24-#28	1.15mm(max)	Brass	Tin-plated	10,000pcs

Note:E-Stamping before Tin-plated

C2003 SERIES

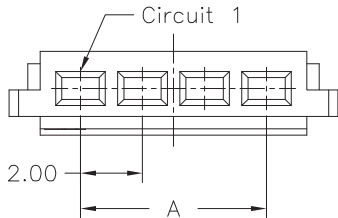
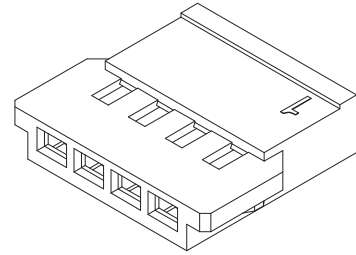
2.00mm pitch wire to wire connector

C2003HF

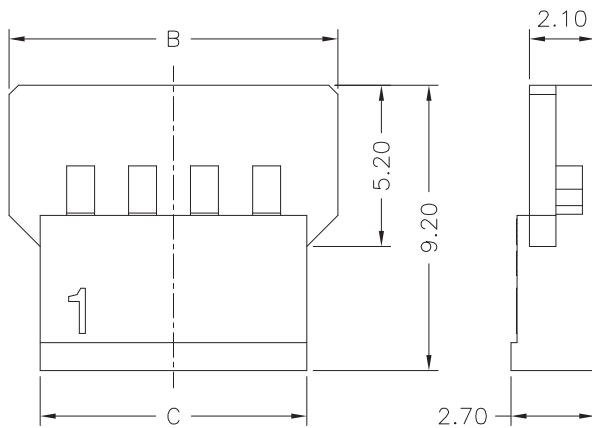
2.00mm pitch Housing

Reference Informations:

- *Material: Nylon 66,UL94V-0
- *Suitable C2003F series Terminal
- *Mates with C2003HM series Housing



	C2003HF-05P N 0 W NP N 00 G						
	①	②	③	④	⑤	⑥	⑦
①	N=Halogen Free						
②	Material: 0=Nylon 66-V0						
③	Color: W=White						
④	Plating code: NP=Non-plating						
⑤	Plating code: N=Non-plating						
⑥	Option code: 00=Standard						
⑦	Packing code: G=Bag						



Ordering Information & Dimensions:

PART NO.	Dimensions		
	A	B	C
C2003HF-02P	2.00	6.60	4.60
C2003HF-03P	4.00	8.60	6.60
C2003HF-04P	6.00	10.60	8.60
C2003HF-05P	8.00	12.60	10.60
C2003HF-06P	10.00	14.60	12.60
C2003HF-07P	12.00	16.60	14.60
C2003HF-08P	14.00	18.60	16.60
C2003HF-09P	16.00	20.60	18.60
C2003HF-10P	18.00	22.60	20.60
C2003HF-11P	20.00	24.60	22.60
C2003HF-13P	24.00	28.60	26.60

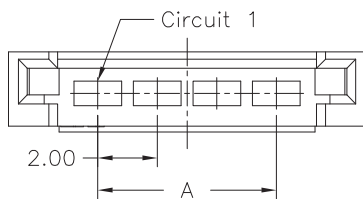
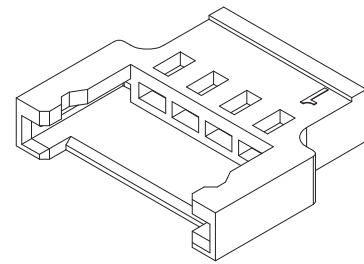
Unit:mm

C2003HM

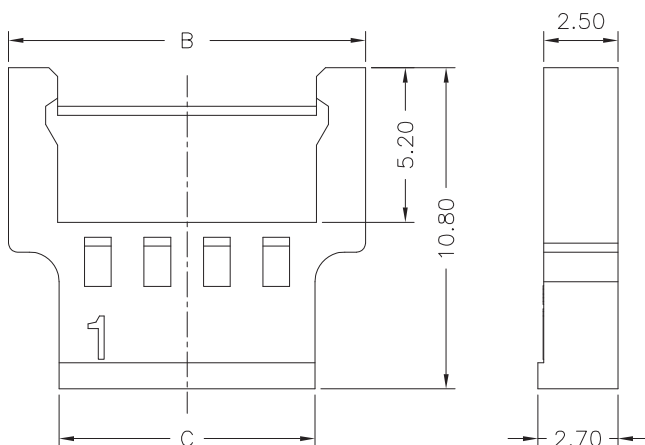
2.00mm pitch Housing

Reference Informations:

- *Material: Nylon 66,UL94V-0
- *Suitable C2003M series Terminal
- *Mates with C2003HF series Housing



	C2003HM-05P N 0 W NP N 00 G						
	①	②	③	④	⑤	⑥	⑦
①	N=Halogen Free						
②	Material: 0=Nylon 66-V0						
③	Color: W=White						
④	Plating code: NP=Non-plating						
⑤	Plating code: N=Non-plating						
⑥	Option code: 00=Standard						
⑦	Packing code: G=Bag						



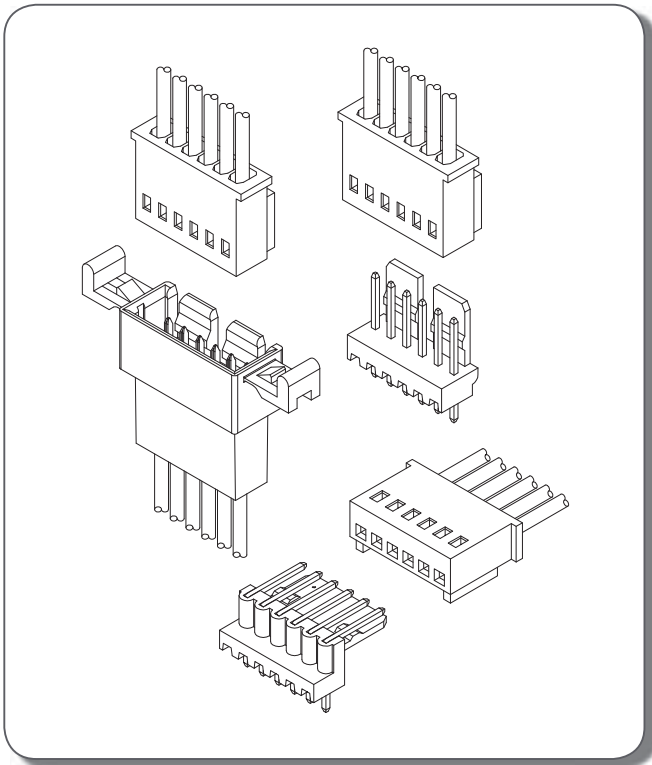
Ordering Information & Dimensions:

PART NO.	Dimensions		
	A	B	C
C2003HM-02P	2.00	8.00	4.60
C2003HM-03P	4.00	10.00	6.60
C2003HM-04P	6.00	12.00	8.60
C2003HM-05P	8.00	14.00	10.60
C2003HM-06P	10.00	16.00	12.60
C2003HM-07P	12.00	18.00	14.60
C2003HM-08P	14.00	20.00	16.60
C2003HM-09P	16.00	22.00	18.60
C2003HM-10P	18.00	24.00	20.60
C2003HM-11P	20.00	26.00	22.60
C2003HM-13P	24.00	30.00	26.60

Unit:mm

C2504 SERIES

2.50mm pitch wire to wire and wire to board connector

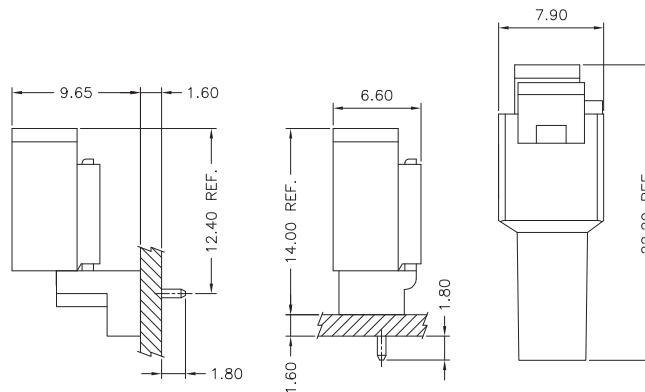


Specifications

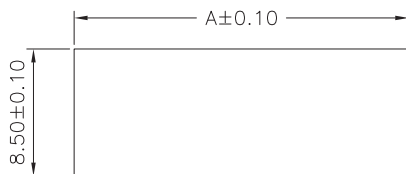
- Current rating: 3A AC,DC
- Voltage rating: 250V AC,DC
- Temperature range: -25°C ~ +85°C
- Contact resistance: 20mΩ Max.
- Insulation resistance: 1000MΩ Min.
- Withstanding voltage: 1000V AC/minute

A
B
C
F
ST
HRJ
DC

Assembly layout



Panel hole layout



PART NO.	Dim.A	PART NO.	Dim.A
C2504HM-02P	12.40	C2504HM-10P	32.40
C2504HM-03P	14.90	C2504HM-11P	34.90
C2504HM-04P	17.40	C2504HM-12P	37.40
C2504HM-05P	19.90	C2504HM-13P	39.90
C2504HM-06P	22.40	C2504HM-14P	42.40
C2504HM-07P	24.90	C2504HM-15P	44.90
C2504HM-08P	27.40	C2504HM-16P	47.40
C2504HM-09P	29.90		

Unit:mm

C2504 SERIES

2.50mm pitch wire to wire and wire to board connector

Ordering code

① C2504 ② F-T ③ P ④ E

- ① Series No.
- ② Terminal type: F=Female, M=Male
- ③ Plating code: T=Tin-plated
- ④ Material: P=Phosphor bronze, B=Brass
- ⑤ E=Stamping before plating

① C2504 ② WV- ③ 05P

- ① Series No.
- ② Connector type: WV=Vertical, WR=Right angle
- ③ No. of circuits

① C2504 ② HM ③ A- ④ 05P

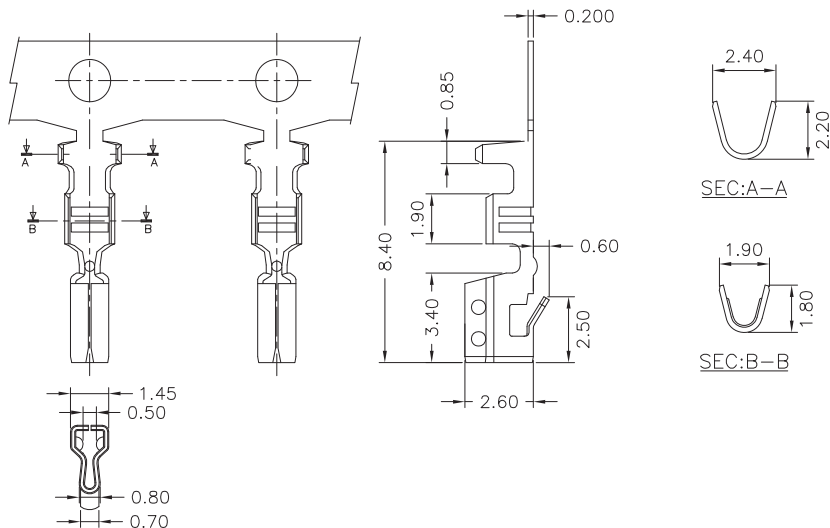
- ① Series No.
- ② Housing type: HF=Receptacle
HM=Plug
- ③ Blank=With mounting ears
A=Without mounting ears
- ④ No. of circuits

C2504F-T

2.50mm pitch Crimp Terminal

Reference Informations:

*Used in H.R C2504HF series Housing



Ordering Information & Specifications:

Unit:mm

Part No.	Wire Range	Insulation O.D.	Material	Finish	Qty/reel
C2504F-TBE	AWG#22-#28	1.90mm(max)	Brass	Tin-plated	10,000pcs
C2504F-TPE	AWG#22-#28	1.90mm(max)	Phosphor Bronze	Tin-plated	10,000pcs

Note:E-Stamping before Tin-plated

C2504 SERIES

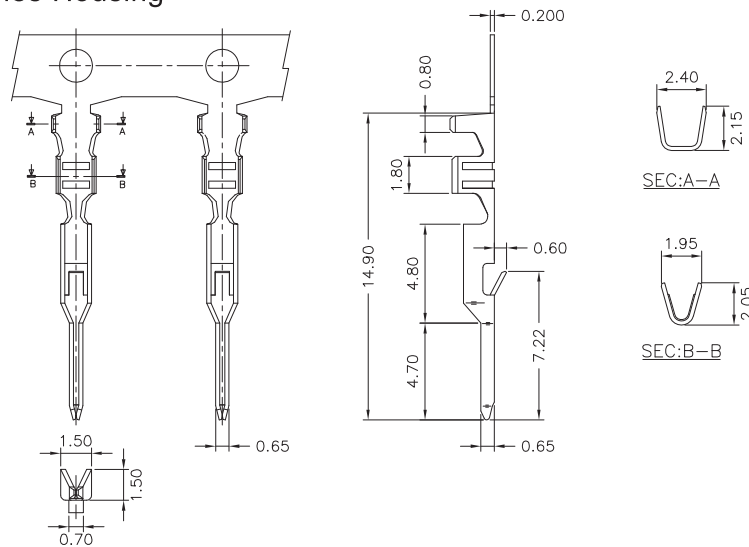
2.50mm pitch wire to wire and wire to board connector

C2504M-T

2.50mm pitch Crimp Terminal

Reference Informations:

*Used in C2504HM series Housing



A
B
C
F
ST
HRJ
DC

Ordering Information & Specifications:

Unit:mm

Part No.	Wire Range	Insulation O.D.	Material	Finish	Qty/reel
C2504M-TBE	AWG#22-#28	1.90mm(max)	Brass	Tin-plated	10,000pcs
C2504M-TPE	AWG#22-#28	1.90mm(max)	Phosphor Bronze	Tin-plated	10,000pcs

Note:E-Stamping before Tin-plated

C2504HF

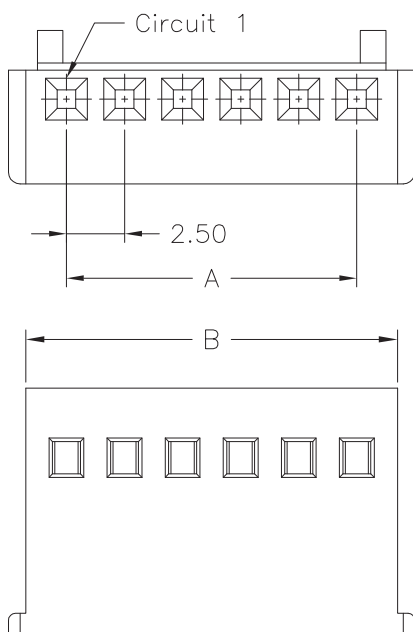
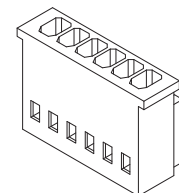
2.50mm pitch Housing

Reference Informations:

*Material: Nylon 66,UL94V-0

*Suitable C2504F series Terminal

*Mates with C2504HM,C2504HMA series Housing
or C2504 series Wafer



C2504HF-05P		N	O	W	NP	N	00	G
		①	②	③	④	⑤	⑥	⑦
①	N=Halogen Free							
②	Material: O=Nylon 66-V0							
③	Color: W=White							
④	Plating code: NP=Non-plating							
⑤	Plating code: N=Non-plating							
⑥	Option code: 00=Standard							
⑦	Packing code: G=Bag							

Ordering Information & Dimensions:

PART NO.	Dimensions	
	A	B
C2504HF-02P	2.50	6.00
C2504HF-03P	5.00	8.50
C2504HF-04P	7.50	11.00
C2504HF-05P	10.00	13.50
C2504HF-06P	12.50	16.00
C2504HF-07P	15.00	18.50
C2504HF-08P	17.50	21.00
C2504HF-09P	20.00	23.50
C2504HF-10P	22.50	26.00
C2504HF-11P	25.00	28.50
C2504HF-12P	27.50	31.00
C2504HF-13P	30.00	33.50
C2504HF-14P	32.50	36.00
C2504HF-15P	35.00	38.50
C2504HF-16P	37.50	41.00
C2504HF-17P	40.00	43.50
C2504HF-18P	42.50	46.00
C2504HF-19P	45.00	48.50
C2504HF-20P	47.50	51.00

Unit:mm

C2504 SERIES

2.50mm pitch wire to wire and wire to board connector

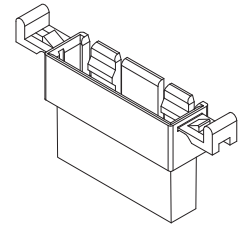
C2504HM

—2.50mm pitch Housing

Reference Informations:

- *Material: Nylon 66,UL94V-0
- *Suitable C2504M series Terminal
- *Mates with C2504HF series Housing

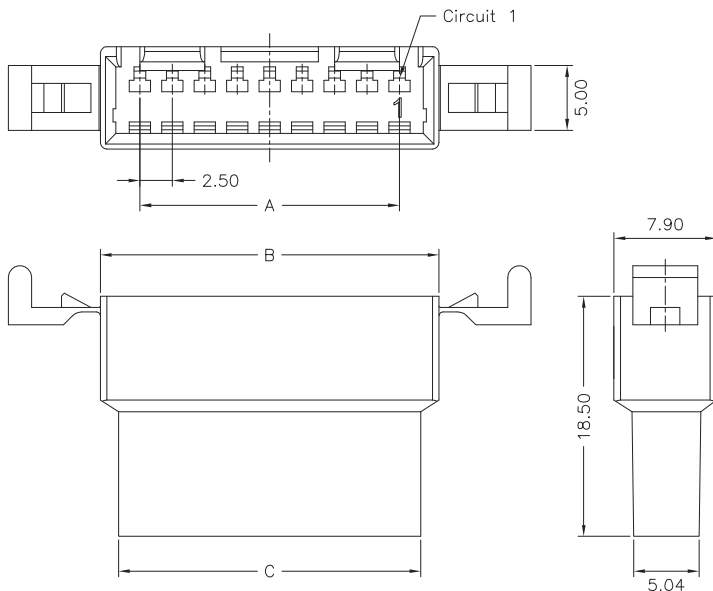
	C2504HM-05P N 0 W NP N 00 G						
	①	②	③	④	⑤	⑥	⑦
	① N=Halogen Free ② Material: 0=Nylon 66-V0 ③ Color: W=White ④ Plating code: NP=Non-plating ⑤ Plating code: N=Non-plating ⑥ Option code: 00=Standard ⑦ Packing code: G=Bag						



Ordering Information & Dimensions:

PART NO.	Dimensions		
	A	B	C
C2504HM-02P	2.50	8.60	5.80
C2504HM-03P	5.00	11.10	8.30
C2504HM-04P	7.50	13.60	10.80
C2504HM-05P	10.00	16.10	13.30
C2504HM-06P	12.50	18.60	15.80
C2504HM-07P	15.00	21.10	18.30
C2504HM-08P	17.50	23.60	20.80
C2504HM-09P	20.00	26.10	23.30
C2504HM-10P	22.50	28.60	25.80
C2504HM-11P	25.00	31.10	28.30
C2504HM-12P	27.50	33.60	30.80
C2504HM-13P	30.00	36.10	33.30
C2504HM-14P	32.50	38.60	35.80
C2504HM-15P	35.00	41.10	38.30
C2504HM-16P	37.50	43.60	40.80

Unit:mm



A
B
C
F
ST
HRJ
DC

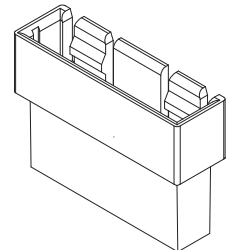
C2504HMA

—2.50mm pitch Housing

Reference Informations:

- *Material: Nylon 66,UL94V-0
- *Suitable C2504M series Terminal
- *Mates with C2504HF series Housing

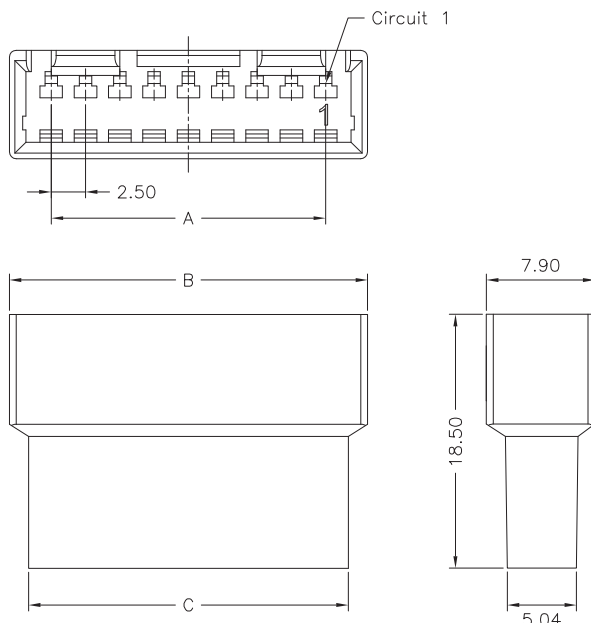
	C2504HMA-05P N 0 W NP N 00 G						
	①	②	③	④	⑤	⑥	⑦
	① N=Halogen Free ② Material: 0=Nylon 66-V0 ③ Color: W=White ④ Plating code: NP=Non-plating ⑤ Plating code: N=Non-plating ⑥ Option code: 00=Standard ⑦ Packing code: G=Bag						



Ordering Information & Dimensions:

PART NO.	Dimensions		
	A	B	C
C2504HMA-02P	2.50	8.60	5.80
C2504HMA-03P	5.00	11.10	8.30
C2504HMA-04P	7.50	13.60	10.80
C2504HMA-05P	10.00	16.10	13.30
C2504HMA-06P	12.50	18.60	15.80
C2504HMA-07P	15.00	21.10	18.30
C2504HMA-08P	17.50	23.60	20.80
C2504HMA-09P	20.00	26.10	23.30
C2504HMA-10P	22.50	28.60	25.80
C2504HMA-11P	25.00	31.10	28.30
C2504HMA-12P	27.50	33.60	30.80
C2504HMA-13P	30.00	36.10	33.30
C2504HMA-14P	32.50	38.60	35.80
C2504HMA-15P	35.00	41.10	38.30
C2504HMA-16P	37.50	43.60	40.80

Unit:mm



C2504 SERIES

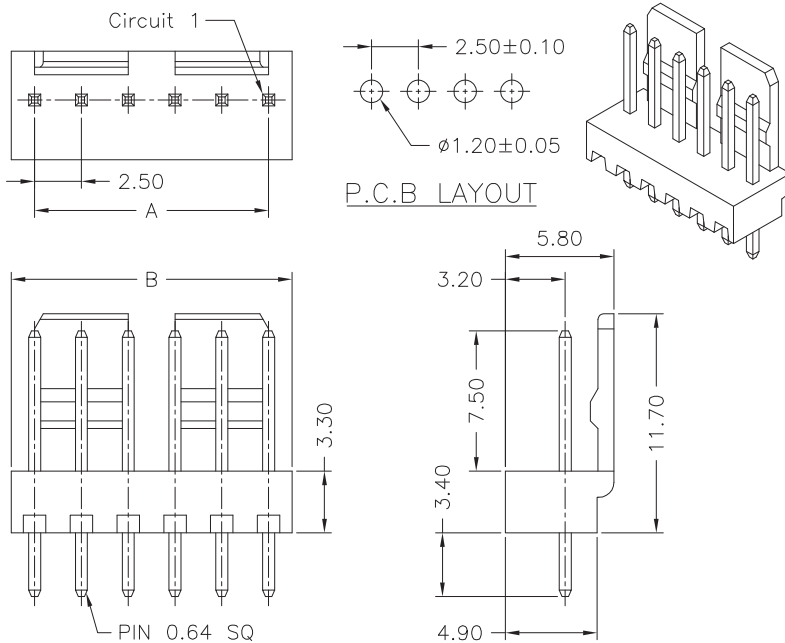
2.50mm pitch wire to wire and wire to board connector

C2504WV

2.50mm pitch 180° Wafer

Reference Informations:

- *Material: Pin: Brass/Tin-plated
Wafer: Nylon 66,UL94V-0
- *Mates with C2504HF series Housing



Ordering Information & Dimensions:

PART NO.	Dimensions	
	A	B
C2504WV-02P	2.50	5.00
C2504WV-03P	5.00	7.50
C2504WV-04P	7.50	10.00
C2504WV-05P	10.00	12.50
C2504WV-06P	12.50	15.00
C2504WV-07P	15.00	17.50
C2504WV-08P	17.50	20.00
C2504WV-09P	20.00	22.50
C2504WV-10P	22.50	25.00
C2504WV-11P	25.00	27.50
C2504WV-12P	27.50	30.00
C2504WV-13P	30.00	32.50
C2504WV-14P	32.50	35.00
C2504WV-15P	35.00	37.50
C2504WV-16P	37.50	40.00
C2504WV-17P	40.00	42.50
C2504WV-18P	42.50	45.00
C2504WV-19P	45.00	47.50
C2504WV-20P	47.50	50.00

Unit:mm

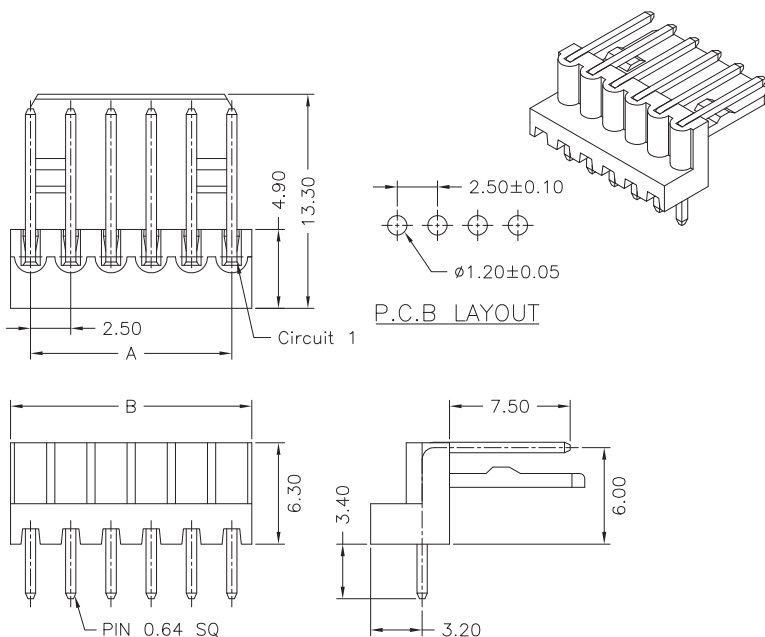
A
B
C
F
ST
HRJ
DC

C2504WR

2.50mm pitch 90° Wafer

Reference Informations:

- *Material: Pin: Brass/Tin-plated
Wafer: Nylon 66,UL94V-0
- *Mates with C2504HF series Housing

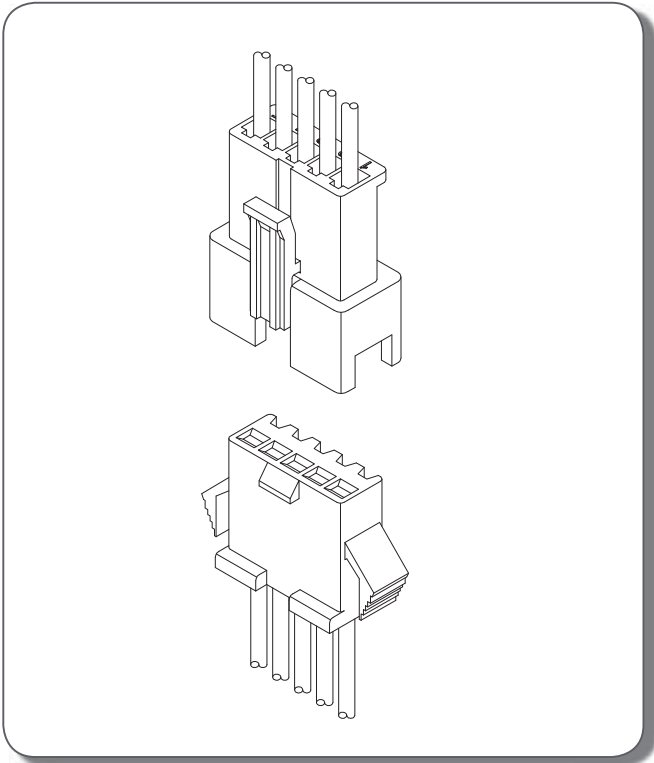


Ordering Information & Dimensions:

PART NO.	Dimensions	
	A	B
C2504WR-02P	2.50	5.00
C2504WR-03P	5.00	7.50
C2504WR-04P	7.50	10.00
C2504WR-05P	10.00	12.50
C2504WR-06P	12.50	15.00
C2504WR-07P	15.00	17.50
C2504WR-08P	17.50	20.00
C2504WR-09P	20.00	22.50
C2504WR-10P	22.50	25.00
C2504WR-11P	25.00	27.50
C2504WR-12P	27.50	30.00
C2504WR-13P	30.00	32.50
C2504WR-14P	32.50	35.00
C2504WR-15P	35.00	37.50
C2504WR-16P	37.50	40.00
C2504WR-17P	40.00	42.50
C2504WR-18P	42.50	45.00
C2504WR-19P	45.00	47.50
C2504WR-20P	47.50	50.00

Unit:mm

A
B
C
F
ST
HRJ
DC

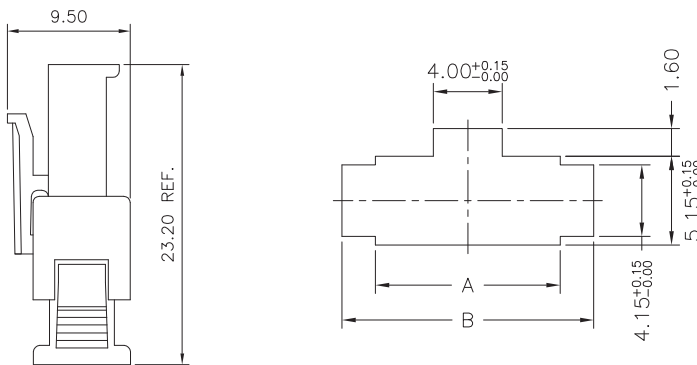


Specifications

Current rating: 3A AC,DC
 Voltage rating: 250V AC,DC
 Temperature range: -25°C ~ +85°C
 Contact resistance: 10mΩ Max.
 Insulation resistance: 500MΩ Min.
 Withstanding voltage: 1500V AC/minute

Standards

Assembly layout & Panel hole layout



PART NO.	Dimensions	
	A	B
C2505HF-02P	5.70	9.60
C2505HF-03P	8.20	12.10
C2505HF-04P	10.70	14.60
C2505HF-05P	13.20	17.10
C2505HF-06P	15.70	19.60
C2505HF-07P	18.20	22.10
C2505HF-08P	20.70	24.60
C2505HF-09P	23.20	27.10
C2505HF-10P	25.70	29.60
C2505HF-11P	28.20	32.10
C2505HF-12P	30.70	34.60

Unit:mm

Ordering code

① C2505 ② F-T ③ B ④ E

- ① Series No.
- ② Terminal type: F=Female, M=Male
- ③ Plating code: T=Tin-plated
- ④ Material: B=Brass
- ⑤ E=Stamping before plating

① C2505 ② HM-05P

- ① Series No.
- ② Housing type: HF=Receptacle
HM=Plug
- ③ No. of circuits

C2505 SERIES

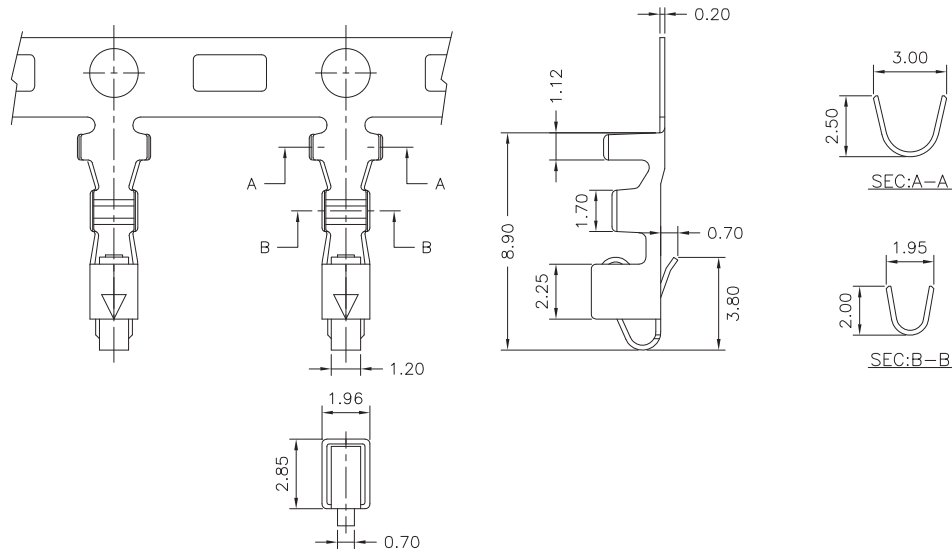
2.50mm pitch wire to wire connector

C2505F-T

2.50mm pitch Crimp Terminal

Reference Informations:

*Used in C2505HF series Housing



A
B
C
F
ST
HRJ
DC

Ordering Information & Specifications:

Unit:mm

Part No.	Wire Range	Insulation O.D.	Material	Finish	Qty/reel
C2505F-TBE	AWG#22-#28	1.80mm(max)	Brass	Tin-plated	7,000pcs

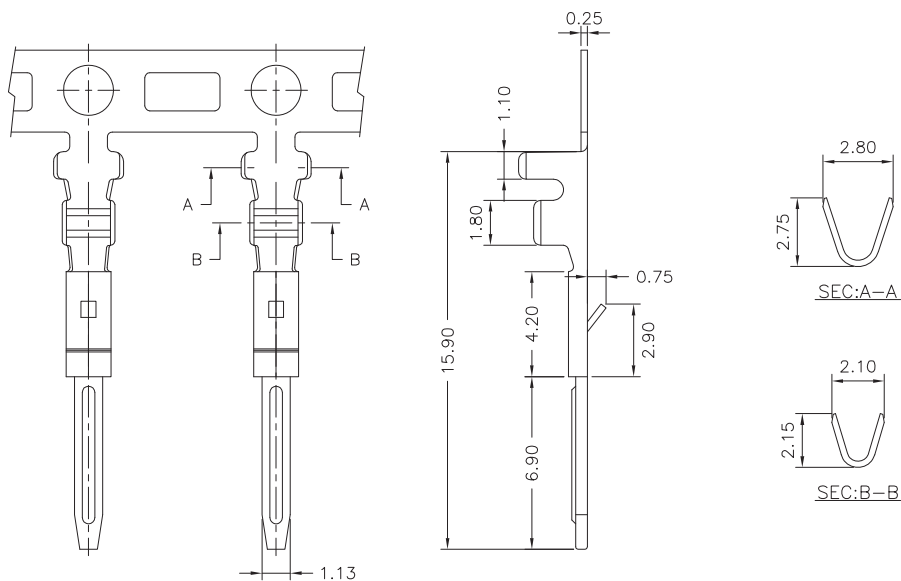
Note:E-Stamping before Tin-plated

C2505M-T

2.50mm pitch Crimp Terminal

Reference Informations:

*Used in C2505HM series Housing



Ordering Information & Specifications:

Unit:mm

Part No.	Wire Range	Insulation O.D.	Material	Finish	Qty/reel
C2505M-TBE	AWG#22-#28	1.80mm(max)	Brass	Tin-plated	7,000pcs

Note:E-Stamping before Tin-plated

C2505 SERIES

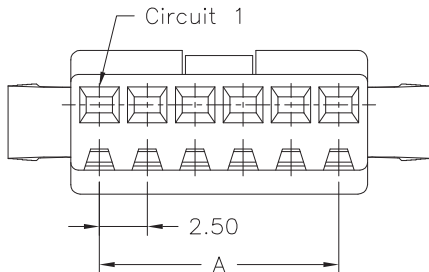
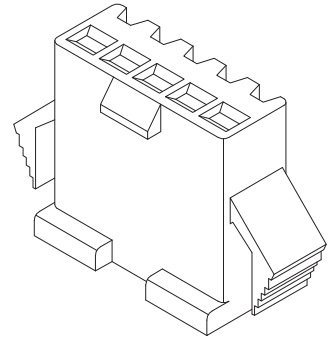
2.50mm pitch wire to wire connector

C2505HF

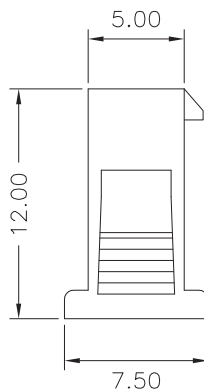
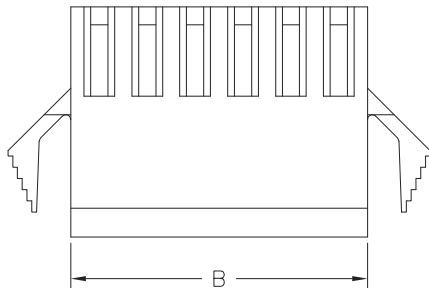
2.50mm pitch Housing

Reference Informations:

- *Material: Nylon 66,UL94V-0
- *Suitable C2505F series Terminal
- *Mates with C2505HM series Housing



	C2505HF-05P N 0 B NP N 00 G						
	①	②	③	④	⑤	⑥	⑦
①	N=Halogen Free						
②	Material: 0=Nylon 66-V0						
③	Color: B=Black						
④	Plating code: NP=Non-plating						
⑤	Plating code: N=Non-plating						
⑥	Option code: 00=Standard						
⑦	Packing code: G=Bag						



Ordering Information & Dimensions:

PART NO.	Dimensions	
	A	B
C2505HF-02P	2.50	5.50
C2505HF-03P	5.00	8.00
C2505HF-04P	7.50	10.50
C2505HF-05P	10.00	13.00
C2505HF-06P	12.50	15.50
C2505HF-07P	15.00	18.00
C2505HF-08P	17.50	20.50
C2505HF-09P	20.00	23.00
C2505HF-10P	22.50	25.50
C2505HF-11P	25.00	28.00
C2505HF-12P	27.50	30.50

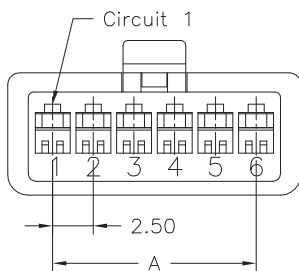
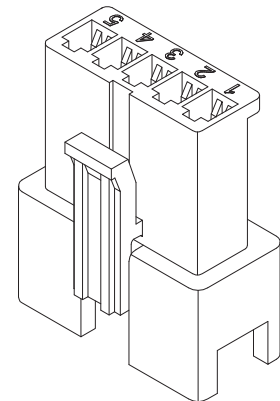
Unit:mm

C2505HM

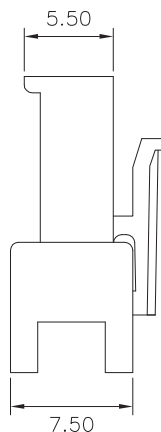
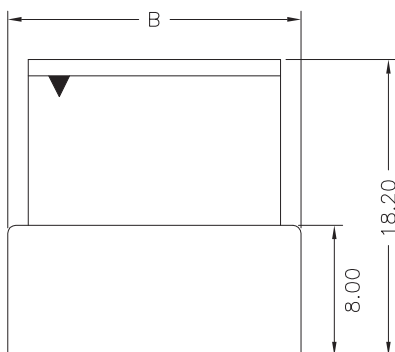
2.50mm pitch Housing

Reference Informations:

- *Material: Nylon 66,UL94V-0
- *Suitable C2505M series Terminal
- *Mates with C2505HF series Housing



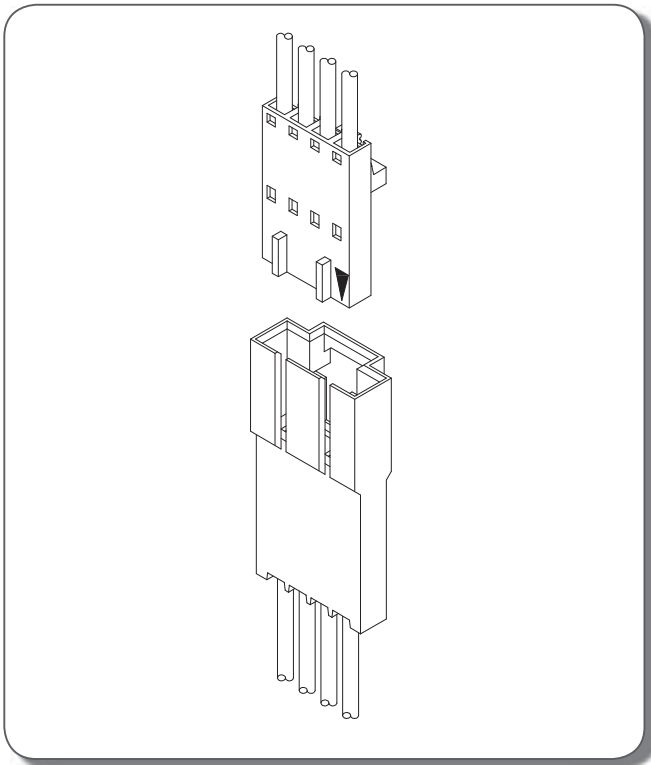
	C2505HM-05P N 0 B NP N 00 G						
	①	②	③	④	⑤	⑥	⑦
①	N=Halogen Free						
②	Material: 0=Nylon 66-V0						
③	Color: B=Black						
④	Plating code: NP=Non-plating						
⑤	Plating code: N=Non-plating						
⑥	Option code: 00=Standard						
⑦	Packing code: G=Bag						



Ordering Information & Dimensions:

PART NO.	Dimensions	
	A	B
C2505HM-02P	2.50	8.00
C2505HM-03P	5.00	10.50
C2505HM-04P	7.50	13.00
C2505HM-05P	10.00	15.50
C2505HM-06P	12.50	18.00
C2505HM-07P	15.00	20.50
C2505HM-08P	17.50	23.00
C2505HM-09P	20.00	25.50
C2505HM-10P	22.50	28.00
C2505HM-11P	25.00	30.50
C2505HM-12P	27.50	33.00

Unit:mm

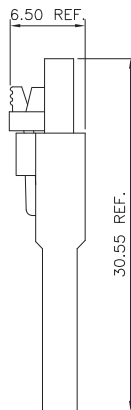


Specifications

Current rating: 2A AC,DC
Voltage rating: 250V AC,DC
Temperature range: -25°C ~ +85°C
Contact resistance: 10mΩ Max.
Insulation resistance: 1000MΩ Min.
Withstanding voltage: 500V AC/minute

A
B
C
F
ST
HRJ
DC

Assembly layout



Ordering code

① ② ③ ④ ⑤
C2544 M-H P E

- ① Series No.
- ② Terminal type: M=Male
- ③ Plating code: T=Tin-plated, H=Gold-flash on contact area
- ④ Material: P=Phosphor bronze
- ⑤ E=Stamping before plating

① ② ③
C2544 HM-05P

- ① Series No.
- ② Housing type: HM=Plug
- ③ No. of circuits



C2544 SERIES

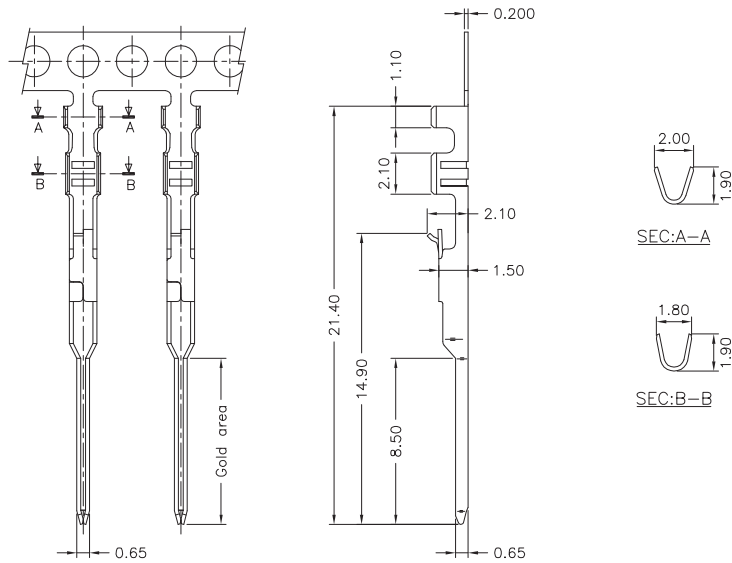
2.54mm pitch wire to wire connector

C2544M-T

— 2.54mm pitch Crimp Terminal

Reference Informations:

*Used in C2544HM series Housing



Ordering Information & Specifications:

Unit:mm

Part No.	Wire Range	Insulation O.D.	Material	Finish	Qty/reel
C2544M-TPE	AWG#22-#26	1.60mm(max)	Phosphor Bronze	Tin-plated	15,000pcs
C2544M-HPE	AWG#22-#26	1.60mm(max)	Phosphor Bronze	Gold-flash	15,000pcs

Note:E-Stamping before Tin-plated or Gold-flash

C2544HM

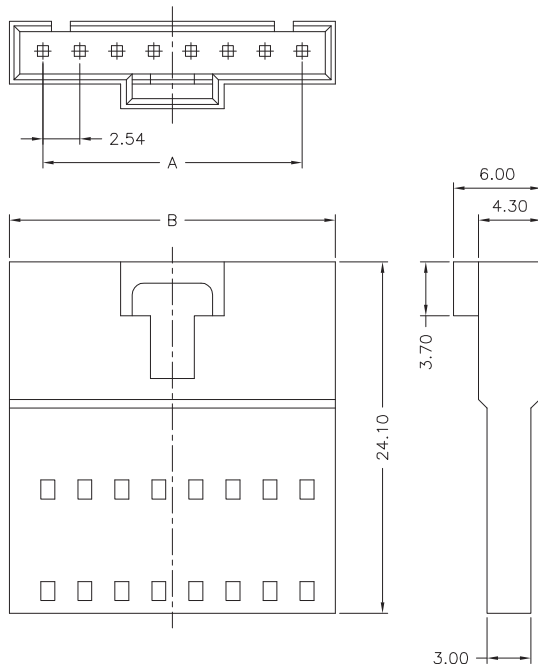
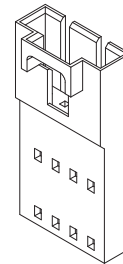
— 2.54mm pitch Housing

Reference Informations:

*Material: PBT,UL94V-0

*Suitable C2544M series Terminal

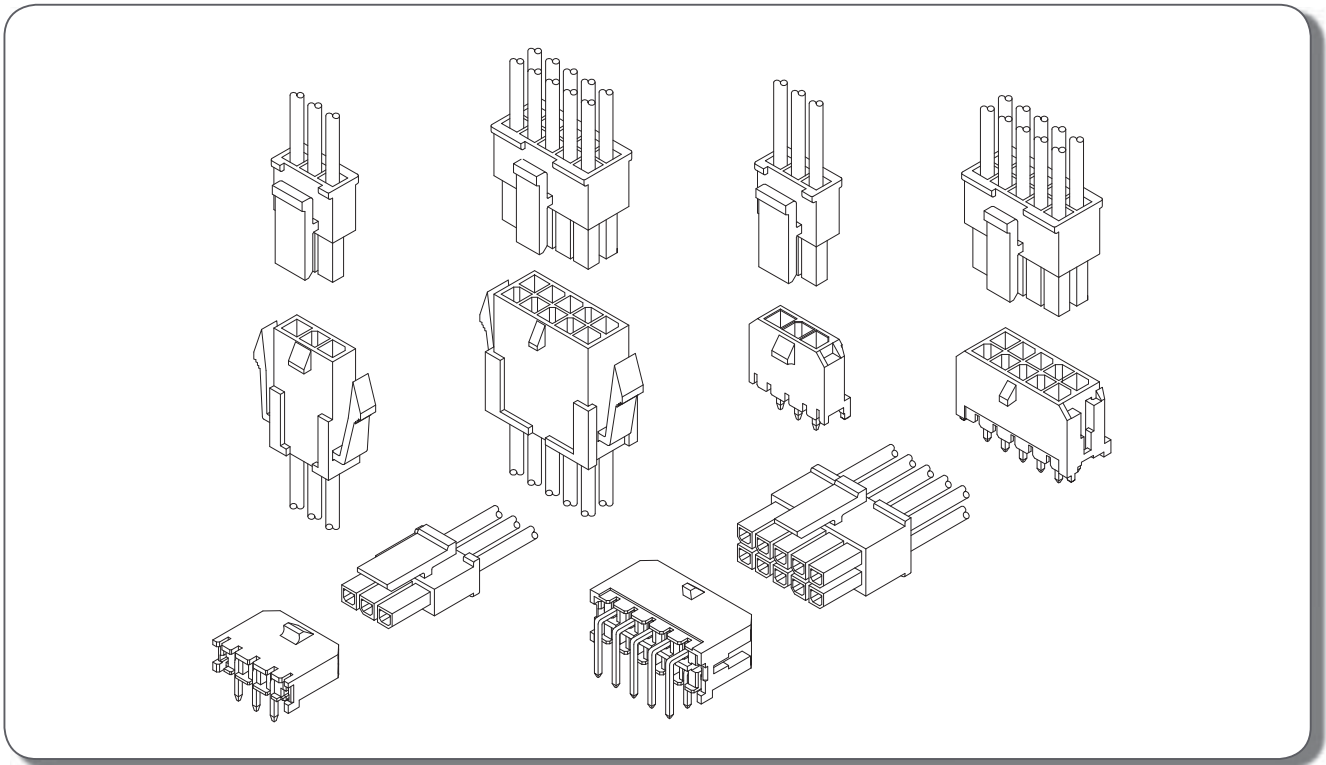
*Mates with A2541 series Housing or F2544H series Housing



Ordering Information & Dimensions:

PART NO.	Dimensions	
	A	B
C2544HM-02P	2.54	7.11
C2544HM-03P	5.08	9.65
C2544HM-04P	7.62	12.19
C2544HM-05P	10.16	14.73
C2544HM-06P	12.70	17.27
C2544HM-07P	15.24	19.81
C2544HM-08P	17.78	22.35
C2544HM-09P	20.32	24.89
C2544HM-10P	22.86	27.43
C2544HM-11P	25.40	29.97
C2544HM-12P	27.94	32.51
C2544HM-13P	30.48	35.05
C2544HM-14P	33.02	37.59
C2544HM-15P	35.56	40.13

Unit:mm



A
B
C
F
ST
HRJ
DC

Specifications

Current rating: 5A AC,DC
 Voltage rating: 250V AC,DC
 Temperature range: -25°C ~ +85°C
 Contact resistance: 10mΩ Max.
 Insulation resistance: 1000MΩ Min.
 Withstanding voltage: 1500V AC/minute

Standards

Ordering code

① ② ③ ④ ⑤ ⑥
C3030 F-T P E -A

- ① Series No.
- ② Terminal type: F=Female, M=Male
- ③ Plating code: T=Tin-plated, H=Gold-flash on contact area
- ④ Material: P=Phosphor bronze
- ⑤ E=Stamping before plating
- ⑥ Option code: (Refer to drawings)

① ② ③ ④ ⑤
C3030 HM A-2X 05P

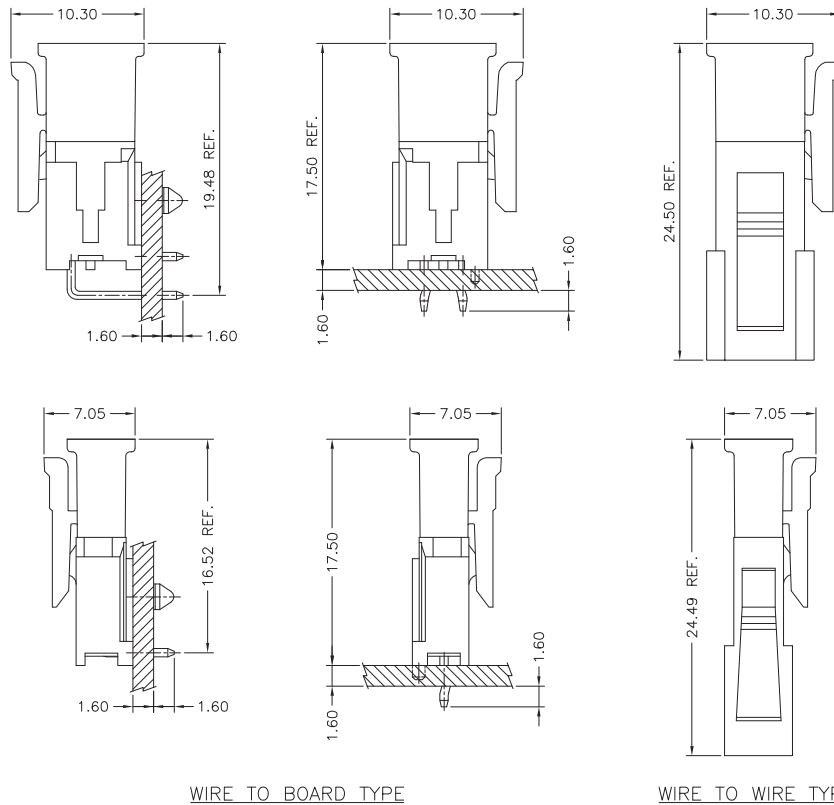
- ① Series No.
- ② Housing type: HF=Receptacle, HM=Plug
- ③ Blank=With mounting ears
A=Without mounting ears
- ④ Blank=Single row, 2X=Dual row
- ⑤ No. of circuits

① ② ③ ④ ⑤ ⑥
C3030 WV-F-2X 05P LP

- ① Series No.
- ② Connector type: WV=Vertical, WR=Right angle
- ③ F=With boss or peg
- ④ Blank=Single row, 2X=Dual row
- ⑤ No. of circuits
- ⑥ Option code:
LP=LCP, Black

Assembly layout

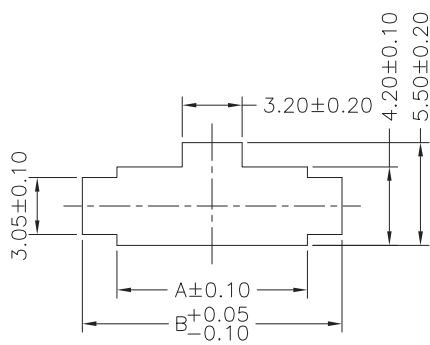
A
B
C
F
ST
HRJ
DC



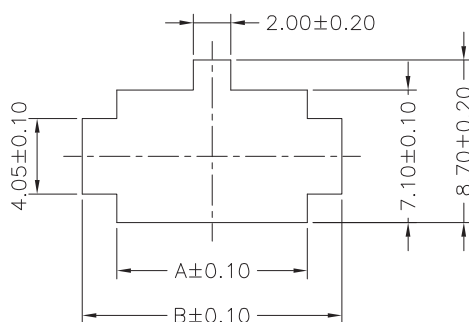
WIRE TO BOARD TYPE

WIRE TO WIRE TYPE

Panel hole layout



SINGLE ROW



DUAL ROW

PART NO.		Dimensions	
SINGLE ROW	DUAL ROW	A	B
-----	C3030HM-2X01P	4.20	7.90
C3030HM-02P	C3030HM-2X02P	7.20	10.90
C3030HM-03P	C3030HM-2X03P	10.20	13.90
C3030HM-04P	C3030HM-2X04P	13.20	16.90
C3030HM-05P	C3030HM-2X05P	16.20	19.90
C3030HM-06P	C3030HM-2X06P	19.20	22.90
C3030HM-07P	C3030HM-2X07P	22.20	25.90
C3030HM-08P	C3030HM-2X08P	25.20	28.90
C3030HM-09P	C3030HM-2X09P	28.20	31.90
C3030HM-10P	C3030HM-2X10P	31.20	34.90
C3030HM-11P	C3030HM-2X11P	34.20	37.90
C3030HM-12P	C3030HM-2X12P	37.20	40.90

Unit:mm

C3030 SERIES

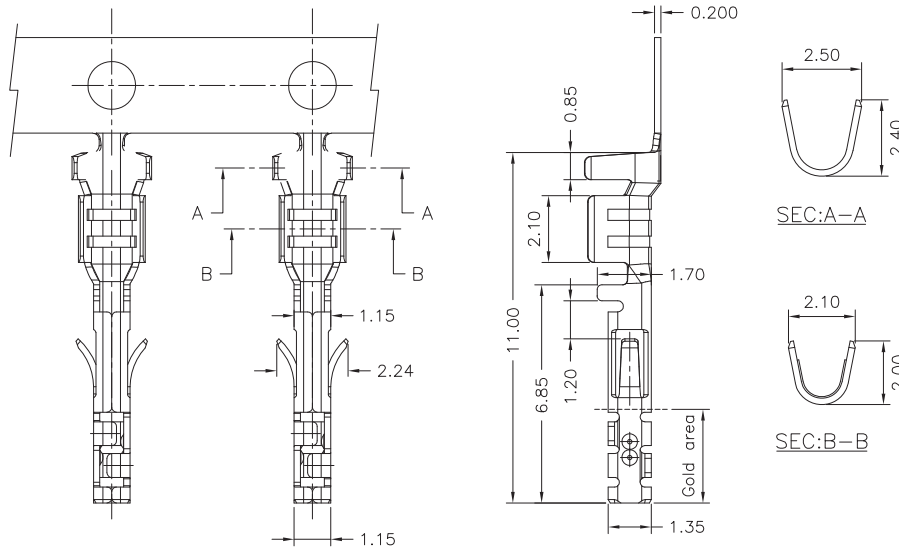
3.00mm pitch wire to wire and wire to board connector

C3030F-T

3.00mm pitch Crimp Terminal

Reference Informations:

*Used in C3030HF series Housing



A
B
C
F
ST
HRJ
DC

Ordering Information & Specifications:

Unit:mm

Part No.	Wire Range	Insulation O.D.	Material	Finish	Qty/reel
C3030F-TPE-A	AWG#20-#24	1.85mm(max)	Phosphor Bronze	Tin-plated	15,000pcs
C3030F-HPE-A	AWG#20-#24	1.85mm(max)	Phosphor Bronze	Gold-flash	15,000pcs

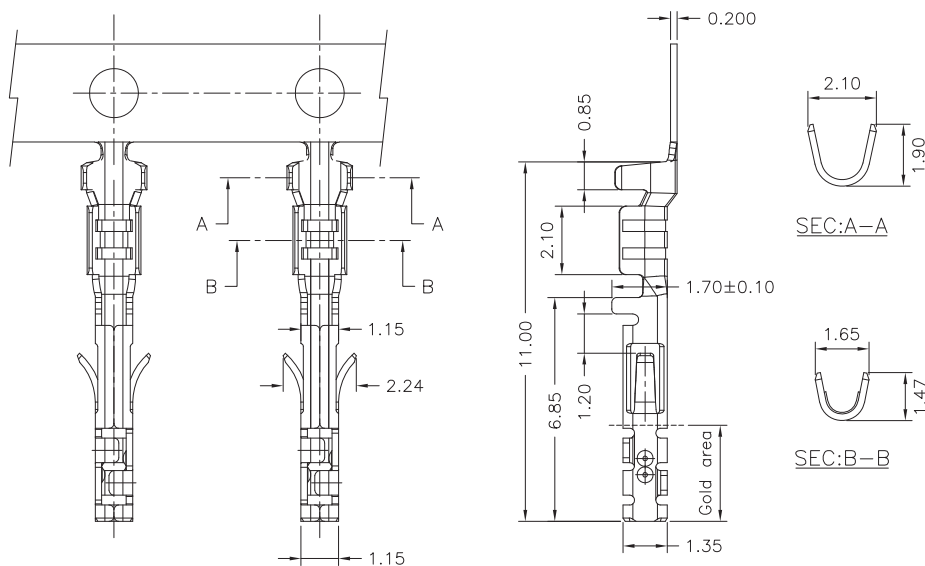
Note:E-Stamping before Tin-plated or Gold-flash

C3030F-T

3.00mm pitch Crimp Terminal

Reference Informations:

*Used in C3030HF series Housing



Ordering Information & Specifications:

Unit:mm

Part No.	Wire Range	Insulation O.D.	Material	Finish	Qty/reel
C3030F-TPE-LA	AWG#26-#30	1.27mm(max)	Phosphor Bronze	Tin-plated	15,000pcs
C3030F-HPE-LA	AWG#26-#30	1.27mm(max)	Phosphor Bronze	Gold-flash	15,000pcs

Note:E-Stamping before Tin-plated or Gold-flash

C3030 SERIES

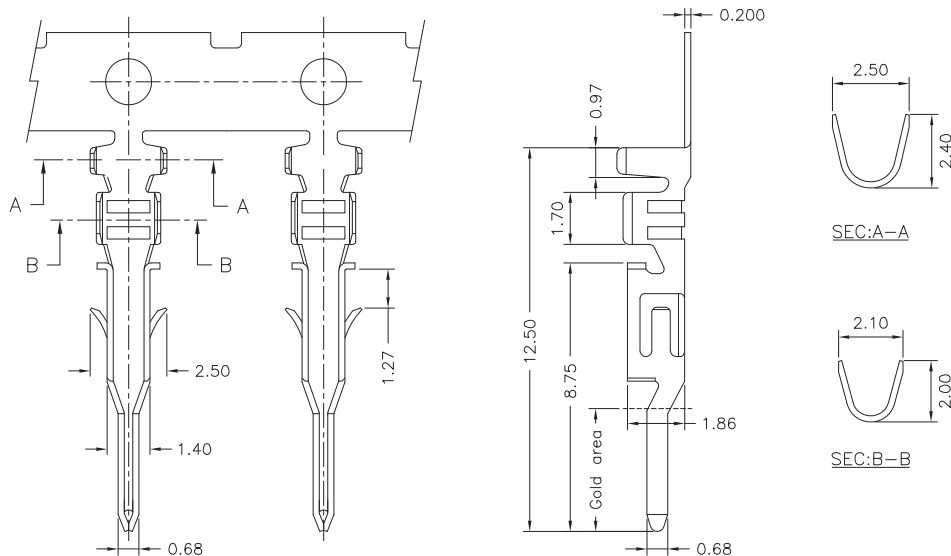
3.00mm pitch wire to wire and wire to board connector

C3030M-T

3.00mm pitch Crimp Terminal

Reference Informations:

*Used in C3030HM series Housing



Ordering Information & Specifications:

Unit:mm

Part No.	Wire Range	Insulation O.D.	Material	Finish	Qty/reel
C3030M-TPE	AWG#20-#24	1.85mm(max)	Phosphor Bronze	Tin-plated	15,000pcs
C3030M-HPE	AWG#20-#24	1.85mm(max)	Phosphor Bronze	Gold-flash	15,000pcs

Note:E-Stamping before Tin-plated or Gold-flash

C3030HF

3.00mm pitch Single Row Housing

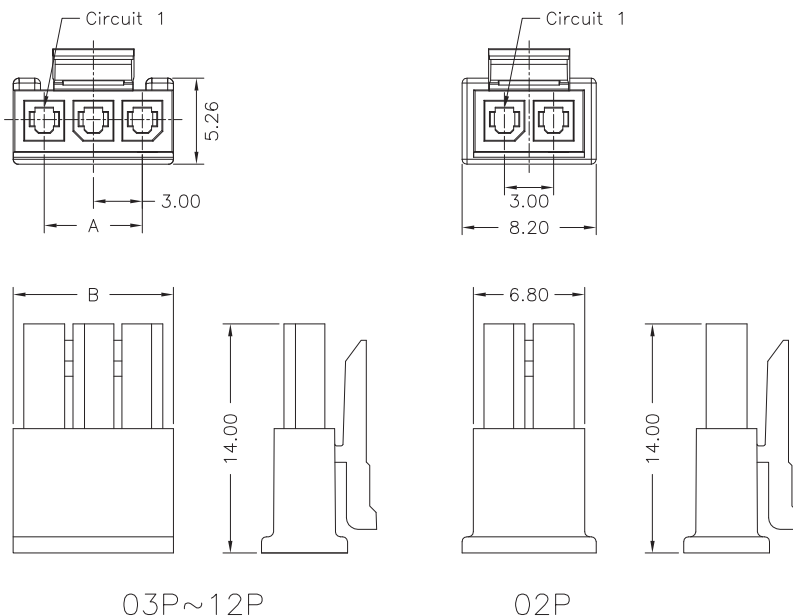
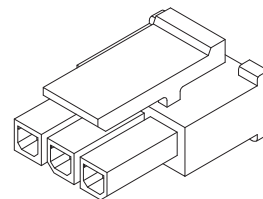
Reference Informations:

*Material: Nylon 66,UL94V-2

*Suitable C3030F series Terminal

*Mates with C3030HM,C3030HMA series single row Housing or C3030 series single row Wafer

C3030HF-05P		N	2	B	NP	N	00	G
		①	②	③	④	⑤	⑥	⑦
① N=Halogen Free								
② Material: 2=Nylon 66-V2								
③ Color: B=Black								
④ Plating code: NP=Non-plating								
⑤ Plating code: N=Non-plating								
⑥ Option code: 00=Standard								
⑦ Packing code: G=Bag								



Ordering Information & Dimensions:

PART NO.	Dimensions	
	A	B
C3030HF-02P	3.00	6.80
C3030HF-03P	6.00	9.80
C3030HF-04P	9.00	12.80
C3030HF-05P	12.00	15.80
C3030HF-06P	15.00	18.80
C3030HF-07P	18.00	21.80
C3030HF-08P	21.00	24.80
C3030HF-09P	24.00	27.80
C3030HF-10P	27.00	30.80
C3030HF-11P	30.00	33.80
C3030HF-12P	33.00	36.80

Unit:mm

C3030 SERIES

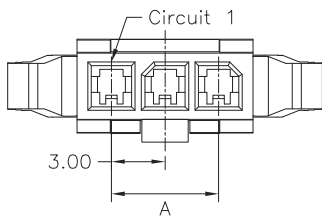
3.00mm pitch wire to wire and wire to board connector

C3030HM

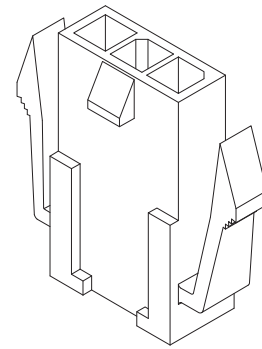
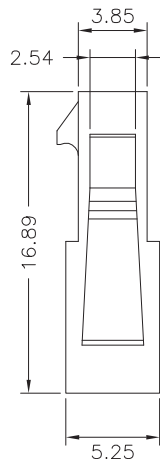
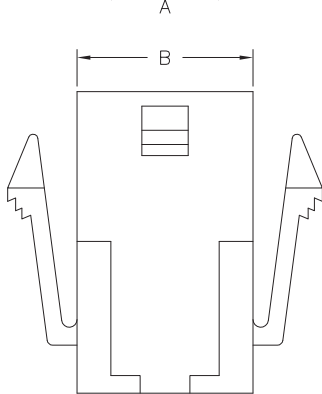
3.00mm pitch Single Row Housing

Reference Informations:

- *Material: Nylon 66,UL94V-2
- *Suitable C3030M series Terminal
- *Mates with C3030HF series single row Housing



	C3030HM-05P	N	2	B	NP	N	00	G
		①	②	③	④	⑤	⑥	⑦
①	N=Halogen Free							
②	Material: 2=Nylon 66-V2							
③	Color: B=Black							
④	Plating code: NP=Non-plating							
⑤	Plating code: N=Non-plating							
⑥	Option code: 00=Standard							
⑦	Packing code: G=Bag							



Ordering Information & Dimensions:

PART NO.	Dimensions	
	A	B
C3030HM-02P	3.00	6.85
C3030HM-03P	6.00	9.85
C3030HM-04P	9.00	12.85
C3030HM-05P	12.00	15.85
C3030HM-06P	15.00	18.85
C3030HM-07P	18.00	21.85
C3030HM-08P	21.00	24.85
C3030HM-09P	24.00	27.85
C3030HM-10P	27.00	30.85
C3030HM-11P	30.00	33.85
C3030HM-12P	33.00	36.85

Unit:mm

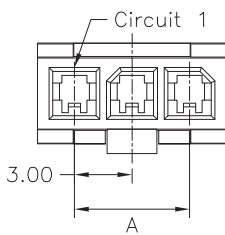
A
B
C
F
ST
HRJ
DC

C3030HMA

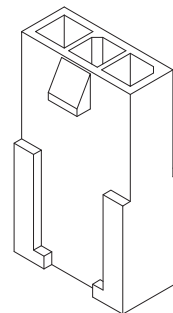
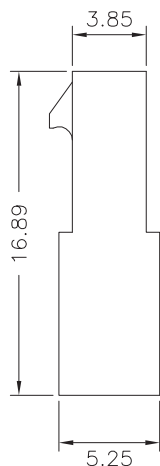
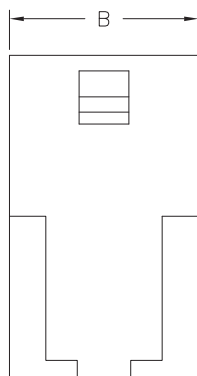
3.00mm pitch Single Row Housing

Reference Informations:

- *Material: Nylon 66,UL94V-2
- *Suitable C3030M series Terminal
- *Mates with C3030HF series single row Housing



	C3030HMA-05P	N	2	B	NP	N	00	G
		①	②	③	④	⑤	⑥	⑦
①	N=Halogen Free							
②	Material: 2=Nylon 66-V2							
③	Color: B=Black							
④	Plating code: NP=Non-plating							
⑤	Plating code: N=Non-plating							
⑥	Option code: 00=Standard							
⑦	Packing code: G=Bag							



Ordering Information & Dimensions:

PART NO.	Dimensions	
	A	B
C3030HMA-02P	3.00	6.85
C3030HMA-03P	6.00	9.85
C3030HMA-04P	9.00	12.85
C3030HMA-05P	12.00	15.85
C3030HMA-06P	15.00	18.85
C3030HMA-07P	18.00	21.85
C3030HMA-08P	21.00	24.85
C3030HMA-09P	24.00	27.85
C3030HMA-10P	27.00	30.85
C3030HMA-11P	30.00	33.85
C3030HMA-12P	33.00	36.85

Unit:mm

C3030 SERIES

3.00mm pitch wire to wire and wire to board connector

C3030WV-F

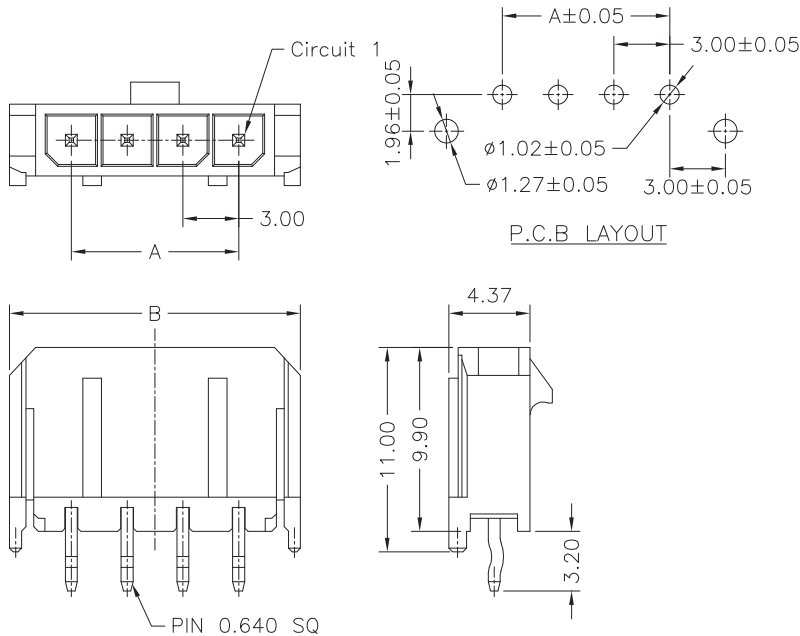
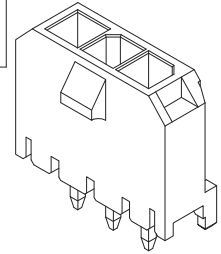
3.00mm pitch 180° Single Row Wafer

Reference Informations:

- *Material: Pin: Brass/Tin-plated
Wafer: PBT15%GF,UL94V-0
- *Mates with C3030HF series single row Housing
- *LCP is available

	C3030WV-F-05P						
	N	P	B	T1	N	00	B
	①	②	③	④	⑤	⑥	⑦

① N=Halogen Free
② Material: P=PBT, L=LCP
③ Color: B=Black
④ Plating code: T1=Tin-plated
⑤ Plating code: N=Non-plating
⑥ Option code: 00=Standard
⑦ Packing code: B=Tray



Ordering Information & Dimensions:

PART NO.	Dimensions	
	A	B
C3030WV-F-02P	3.00	9.65
C3030WV-F-03P	6.00	12.65
C3030WV-F-04P	9.00	15.65
C3030WV-F-05P	12.00	18.65
C3030WV-F-06P	15.00	21.65
C3030WV-F-07P	18.00	24.65
C3030WV-F-08P	21.00	27.65
C3030WV-F-09P	24.00	30.65
C3030WV-F-10P	27.00	33.65
C3030WV-F-11P	30.00	36.65
C3030WV-F-12P	33.00	39.65

Unit:mm

C3030WR-F

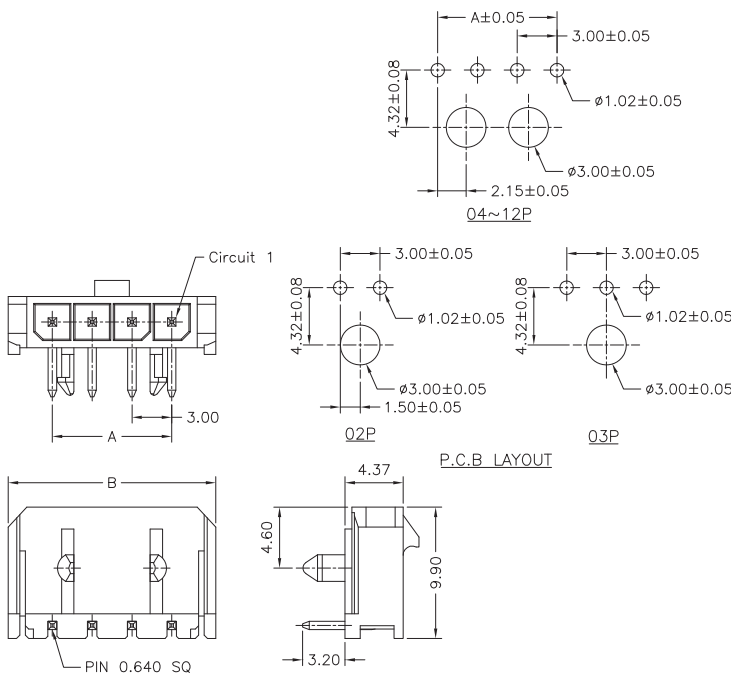
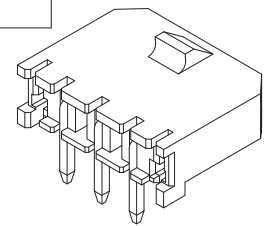
3.00mm pitch 90° Single Row Wafer

Reference Informations:

- *Material: Pin: Brass/Tin-plated
Wafer: PBT15%GF,UL94V-0
- *Mates with C3030HF series single row Housing
- *LCP is available

	C3030WR-F-05P						
	N	P	B	T1	N	00	B
	①	②	③	④	⑤	⑥	⑦

① N=Halogen Free
② Material: P=PBT, L=LCP
③ Color: B=Black
④ Plating code: T1=Tin-plated
⑤ Plating code: N=Non-plating
⑥ Option code: 00=Standard
⑦ Packing code: B=Tray



Ordering Information & Dimensions:

PART NO.	Dimensions	
	A	B
C3030WR-F-02P	3.00	9.65
C3030WR-F-03P	6.00	12.65
C3030WR-F-04P	9.00	15.65
C3030WR-F-05P	12.00	18.65
C3030WR-F-06P	15.00	21.65
C3030WR-F-07P	18.00	24.65
C3030WR-F-08P	21.00	27.65
C3030WR-F-09P	24.00	30.65
C3030WR-F-10P	27.00	33.65
C3030WR-F-11P	30.00	36.65
C3030WR-F-12P	33.00	39.65

Unit:mm

C3030 SERIES

3.00mm pitch wire to wire and wire to board connector

C3030HF-2

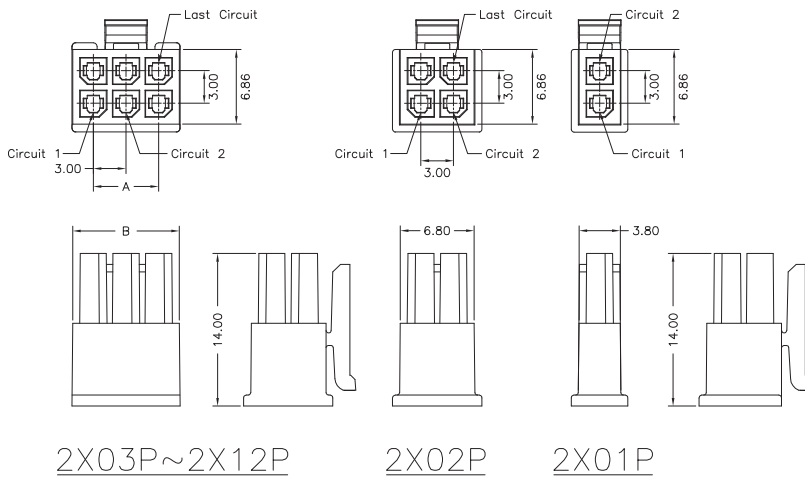
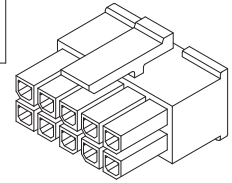
3.00mm pitch Dual Row Housing

Reference Informations:

- *Material: Nylon 66,UL94V-2
- *Suitable C3030F series Terminal
- *Mates with C3030HM series dual row Housing or C3030 series dual row Wafer

	C3030HF-2X05P						
	N	2	B	NP	N	00	G
	①	②	③	④	⑤	⑥	⑦

① N=Halogen Free
② Material: 2=Nylon 66-V2
③ Color: B=Black
④ Plating code: NP=Non-plating
⑤ Plating code: N=Non-plating
⑥ Option code: 00=Standard
⑦ Packing code: G=Bag



Ordering Information & Dimensions:

PART NO.	Dimensions	
	A	B
C3030HF-2X01P	----	3.80
C3030HF-2X02P	3.00	6.80
C3030HF-2X03P	6.00	9.80
C3030HF-2X04P	9.00	12.80
C3030HF-2X05P	12.00	15.80
C3030HF-2X06P	15.00	18.80
C3030HF-2X07P	18.00	21.80
C3030HF-2X08P	21.00	24.80
C3030HF-2X09P	24.00	27.80
C3030HF-2X10P	27.00	30.80
C3030HF-2X11P	30.00	33.80
C3030HF-2X12P	33.00	36.80

Unit:mm

C3030HM-2

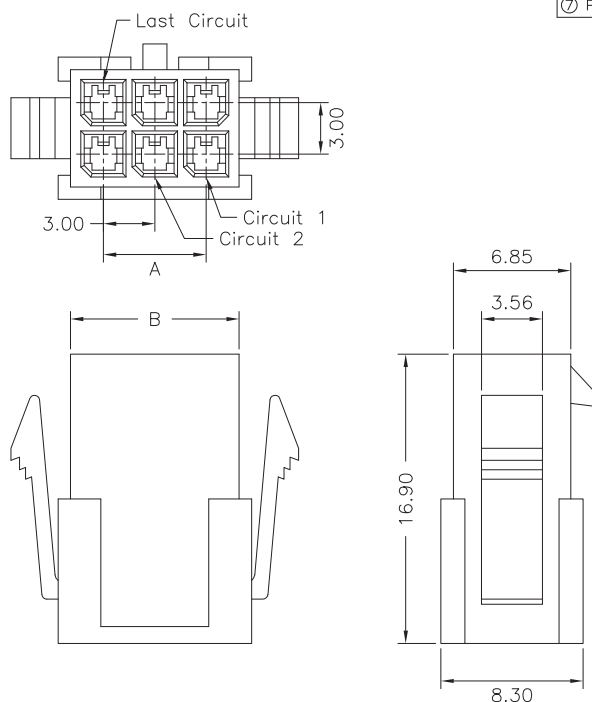
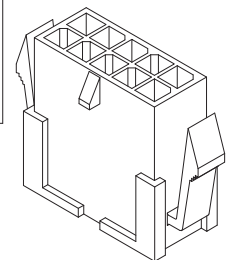
3.00mm pitch Dual Row Housing

Reference Informations:

- *Material: Nylon 66,UL94V-2
- *Suitable C3030M series Terminal
- *Mates with C3030HF series dual row Housing

	C3030HM-2X05P						
	N	2	B	NP	N	00	G
	①	②	③	④	⑤	⑥	⑦

① N=Halogen Free
② Material: 2=Nylon 66-V2
③ Color: B=Black
④ Plating code: NP=Non-plating
⑤ Plating code: N=Non-plating
⑥ Option code: 00=Standard
⑦ Packing code: G=Bag



Ordering Information & Dimensions:

PART NO.	Dimensions	
	A	B
C3030HM-2X01P	----	3.85
C3030HM-2X02P	3.00	6.85
C3030HM-2X03P	6.00	9.85
C3030HM-2X04P	9.00	12.85
C3030HM-2X05P	12.00	15.85
C3030HM-2X06P	15.00	18.85
C3030HM-2X07P	18.00	21.85
C3030HM-2X08P	21.00	24.85
C3030HM-2X09P	24.00	27.85
C3030HM-2X10P	27.00	30.85
C3030HM-2X11P	30.00	33.85
C3030HM-2X12P	33.00	36.85

Unit:mm

A
B
C
F
ST
HRJ
DC

C3030 SERIES

3.00mm pitch wire to wire and wire to board connector

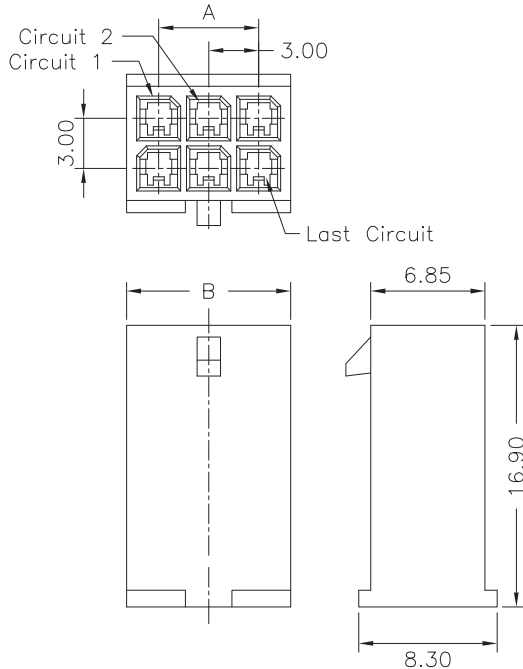
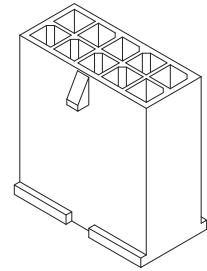
C3030MHA-2

3.00mm pitch Dual Row Housing

Reference Informations:

- *Material: Nylon 66,UL94V-2
- *Suitable C3030M series Terminal
- *Mates with C3030HF series dual row Housing

	C3030HMA-2X05P						
	N	2	B	NP	N	00	G
①	②	③	④	⑤	⑥	⑦	
①	N=Halogen Free						
②	Material: 2=Nylon 66-V2						
③	Color: B=Black						
④	Plating code: NP=Non-plating						
⑤	Plating code: N=Non-plating						
⑥	Option code: 00=Standard						
⑦	Packing code: G=Bag						



Ordering Information & Dimensions:

PART NO.	Dimensions	
	A	B
C3030HMA-2X01P	-----	3.85
C3030HMA-2X02P	3.00	6.85
C3030HMA-2X03P	6.00	9.85
C3030HMA-2X04P	9.00	12.85
C3030HMA-2X05P	12.00	15.85
C3030HMA-2X06P	15.00	18.85
C3030HMA-2X07P	18.00	21.85
C3030HMA-2X08P	21.00	24.85
C3030HMA-2X09P	24.00	27.85
C3030HMA-2X10P	27.00	30.85
C3030HMA-2X11P	30.00	33.85
C3030HMA-2X12P	33.00	36.85

Unit:mm

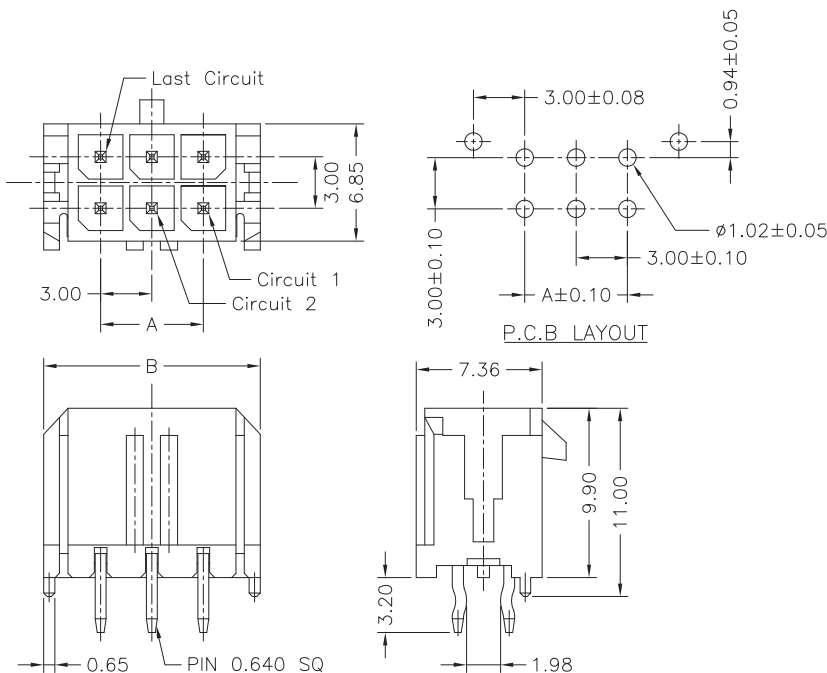
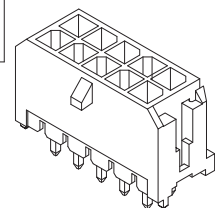
C3030WV-F-2

3.00mm pitch 180° Dual Row Wafer

Reference Informations:

- *Material: Pin: Brass/Tin-plated
Wafer: PBT30%GF,UL94V-0
- *Mates with C3030HF series dual row Housing
- *LCP is available

	C3030WV-F-2X05P						
	N	P	B	T1	N	00	B
①	②	③	④	⑤	⑥	⑦	
①	N=Halogen Free						
②	Material: P=PBT, L=LCP						
③	Color: B=Black						
④	Plating code: T1=Tin-plated						
⑤	Plating code: N=Non-plating						
⑥	Option code: 00=Standard						
⑦	Packing code: B=Tray						



Ordering Information & Dimensions:

PART NO.	Dimensions	
	A	B
C3030WV-F-2X01P	-----	6.65
C3030WV-F-2X02P	3.00	9.65
C3030WV-F-2X03P	6.00	12.65
C3030WV-F-2X04P	9.00	15.65
C3030WV-F-2X05P	12.00	18.65
C3030WV-F-2X06P	15.00	21.65
C3030WV-F-2X07P	18.00	24.65
C3030WV-F-2X08P	21.00	27.65
C3030WV-F-2X09P	24.00	30.65
C3030WV-F-2X10P	27.00	33.65
C3030WV-F-2X11P	30.00	36.65
C3030WV-F-2X12P	33.00	39.65

Unit:mm

C3030 SERIES

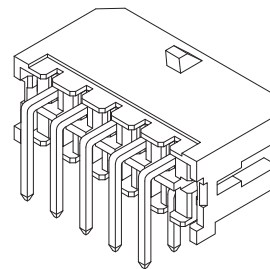
3.00mm pitch wire to wire and wire to board connector

C3030WR-F-2

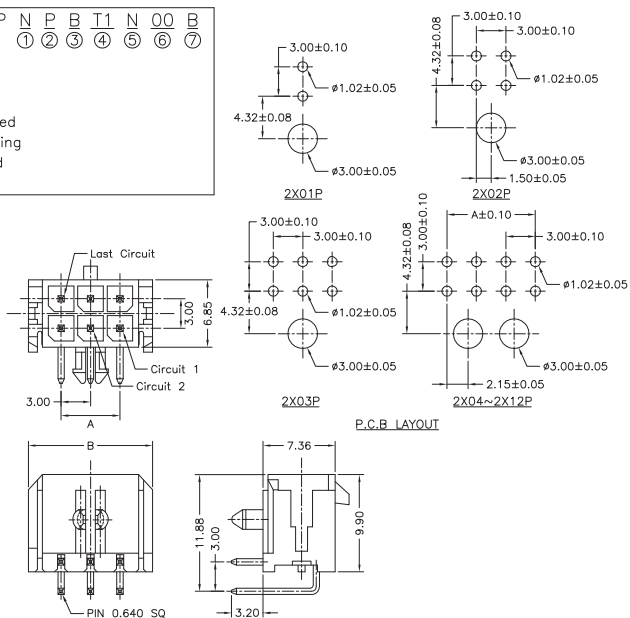
3.00mm pitch 90° Dual Row Wafer

Reference Informations:

- *Material: Pin: Brass/Tin-plated
Wafer: PBT30%GF,UL94V-0
- *Mates with C3030HF series dual row Housing
- *LCP is available



	C3030WR-F-2X05P						
	N	P	B	T1	N	00	B
①	②	③	④	⑤	⑥	⑦	
① N=Halogen Free ② Material: P=PBT, L=LCP ③ Color: B=Black ④ Plating code: T1=Tin-plated ⑤ Plating code: N=Non-plating ⑥ Option code: 00=Standard ⑦ Packing code: B=Tray							



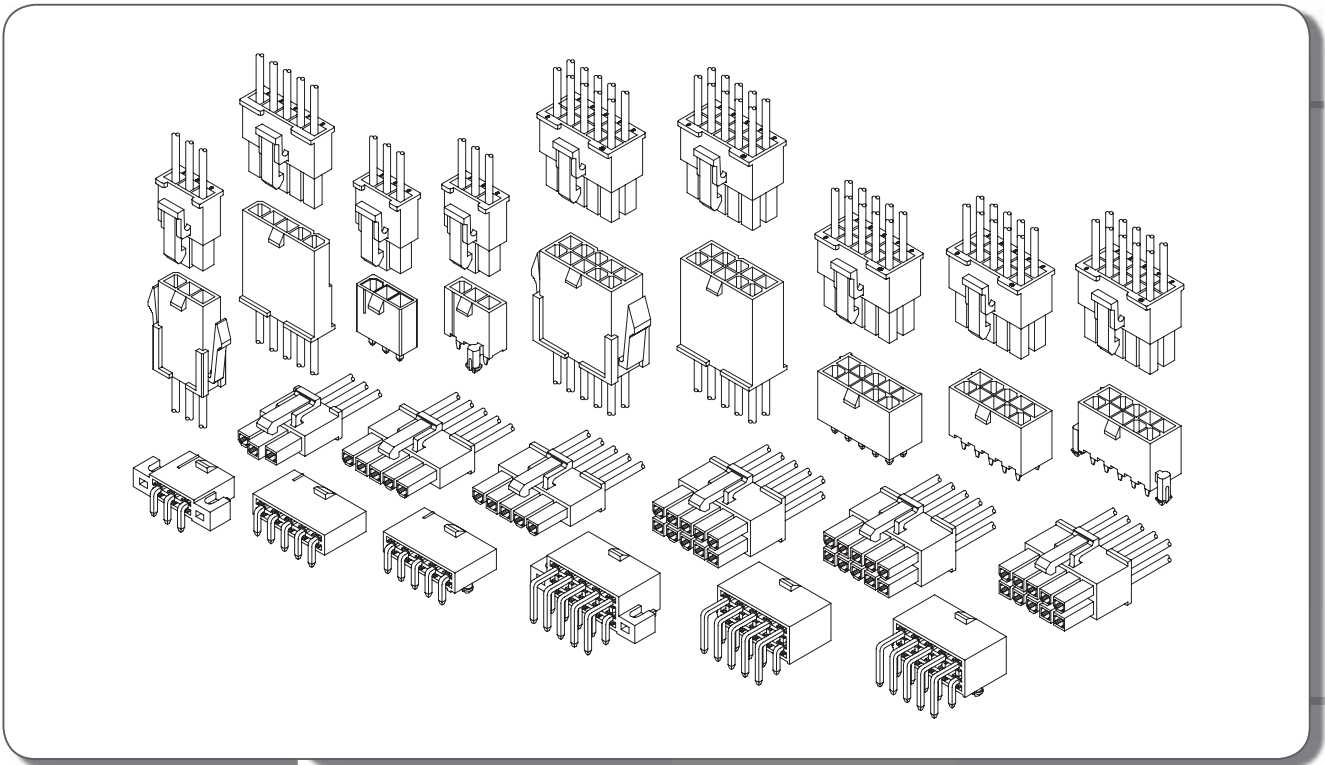
Ordering Information & Dimensions:

PART NO.	Dimensions	
	A	B
C3030WR-F-2X01P	----	6.65
C3030WR-F-2X02P	3.00	9.65
C3030WR-F-2X03P	6.00	12.65
C3030WR-F-2X04P	9.00	15.65
C3030WR-F-2X05P	12.00	18.65
C3030WR-F-2X06P	15.00	21.65
C3030WR-F-2X07P	18.00	24.65
C3030WR-F-2X08P	21.00	27.65
C3030WR-F-2X09P	24.00	30.65
C3030WR-F-2X10P	27.00	33.65
C3030WR-F-2X11P	30.00	36.65
C3030WR-F-2X12P	33.00	39.65

Unit:mm

A
B
C
F
ST
HRJ
DC

A
B
C
F
ST
HRJ
DC



Specifications

Current rating: 9A AC,DC
 Voltage rating: 600V AC,DC
 Temperature range: -25°C ~ +85°C
 Contact resistance: 10mΩ Max.
 Insulation resistance: 1000MΩ Min.
 Withstanding voltage: 1500V AC/minute

Standards

Ordering code

① ② ③ ④ ⑤ ⑥
C4255 F-T B E -A

- ① Series No.
- ② Terminal type: F=Female, M=Male
- ③ Plating code: T=Tin-plated
- ④ Material: P=Phosphor bronze, B=Brass
- ⑤ E=Stamping before plating
- ⑥ Option code: (Refer to drawings)

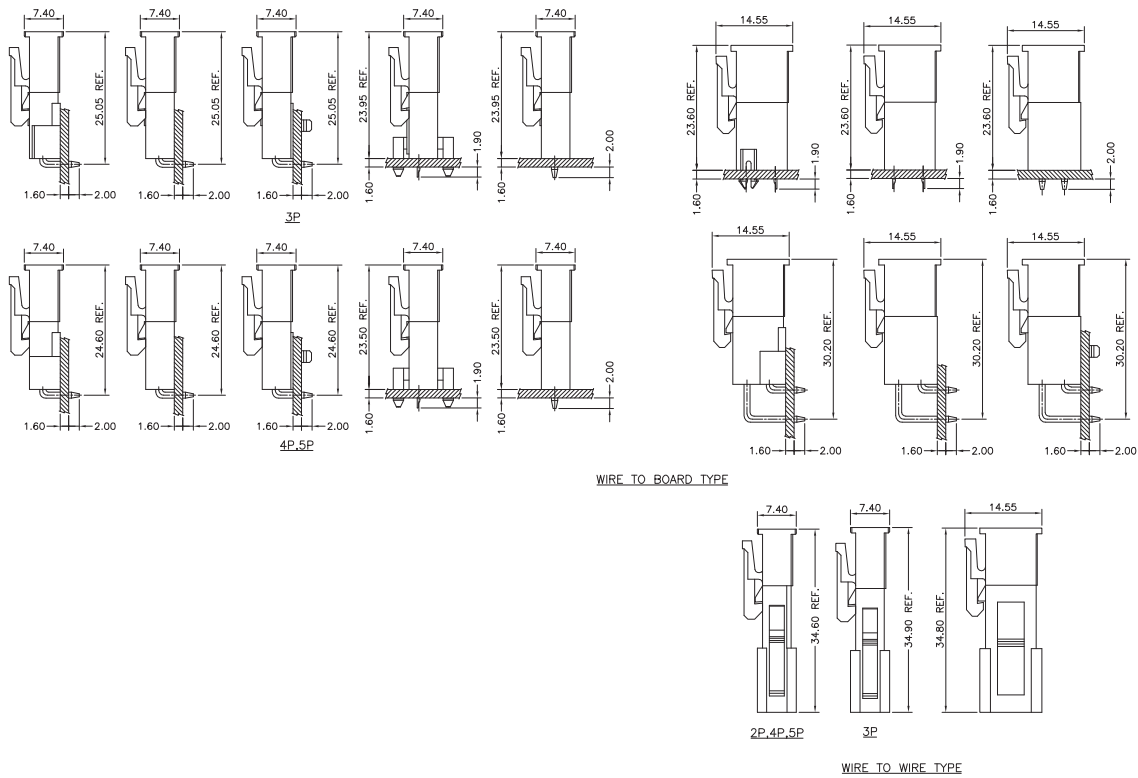
① ② ③ ④ ⑤ ⑥
C4255 HM A-2X 05P -V0

- ① Series No.
- ② Housing type: HF=Receptacle, HM=Plug
- ③ Blank=With mounting ears
A=Without mounting ears
- ④ Blank=Single row, 2X=Dual row
- ⑤ No. of circuits
- ⑥ Option code: -V0=UL94V-0

① ② ③ ④ ⑤ ⑥ ⑦
C4255 WV A -F-2X 05P 46

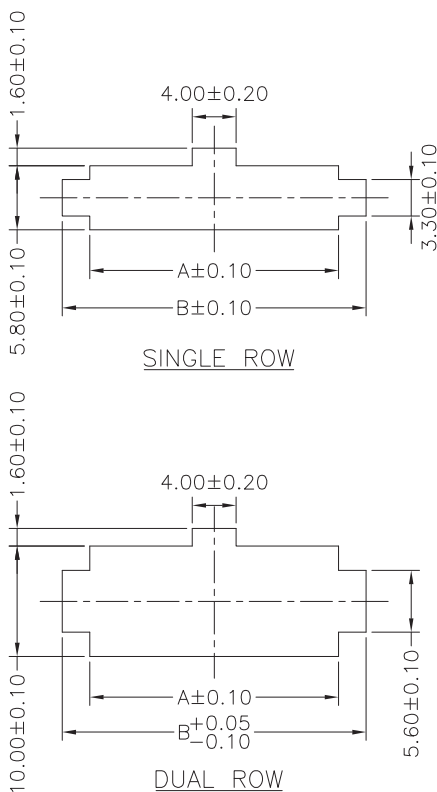
- ① Series No.
- ② Connector type: WV=Vertical, WR=Right angle
- ③ Blank=Square pin
A=Press pin
- ④ Blank=Normal type
-F=With peg, -E=With ear
- ⑤ Blank=Single row, 2X=Dual row
- ⑥ No. of circuits
- ⑦ Option code:
46=Nylon 46(Press pin type only)

Assembly layout



A
B
C
F
ST
HRJ
DC

Panel hole layout



PART NO.		Dimensions	
SINGLE ROW	DUAL ROW	A	B
-----	C4255HM-2X01P	5.80	10.80
C4255HM-02P	C4255HM-2X02P	10.00	15.00
C4255HM-03P	C4255HM-2X03P	14.20	19.20
C4255HM-04P	C4255HM-2X04P	18.40	23.40
C4255HM-05P	C4255HM-2X05P	22.60	27.60
C4255HM-06P	C4255HM-2X06P	26.80	31.80
C4255HM-07P	C4255HM-2X07P	31.00	36.00
C4255HM-08P	C4255HM-2X08P	35.20	40.20
C4255HM-09P	C4255HM-2X09P	39.40	44.40
C4255HM-10P	C4255HM-2X10P	43.60	48.60
C4255HM-11P	C4255HM-2X11P	47.80	52.80
C4255HM-12P	C4255HM-2X12P	52.00	57.00

Unit:mm

C4255 SERIES

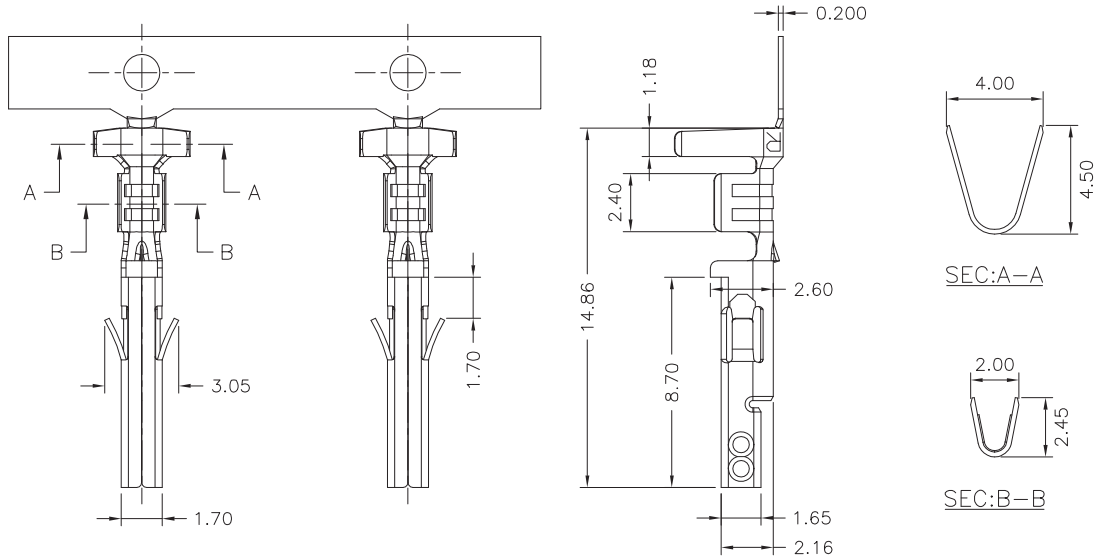
4.20mm pitch wire to wire and wire to board connector

C4255F-T

4.20mm pitch Crimp Terminal

Reference Informations:

*Used in C4255HF series Housing



Ordering Information & Specifications:

Unit:mm

Part No.	Wire Range	Insulation O.D.	Material	Finish	Qty/reel
C4255F-TBE-A	AWG#18-#24	3.10mm(max)	Brass	Tin-plated	5,000pcs
C4255F-TPE-A	AWG#18-#24	3.10mm(max)	Phosphor Bronze	Tin-plated	5,000pcs

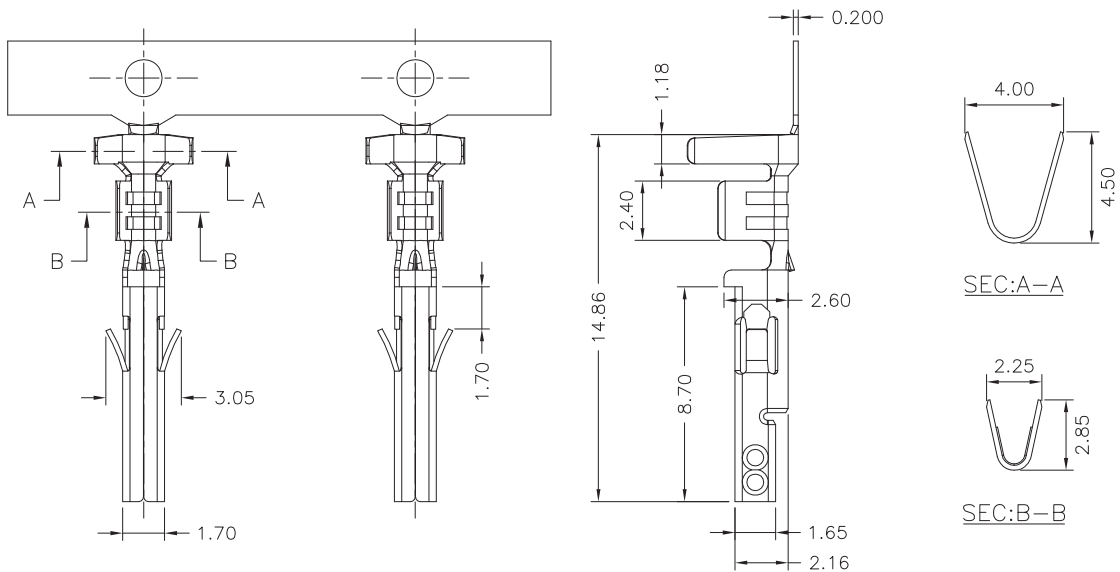
Note:E-Stamping before Tin-plated

C4255F-T

4.20mm pitch Crimp Terminal

Reference Informations:

*Used in C4255HF series Housing



Ordering Information & Specifications:

Unit:mm

Part No.	Wire Range	Insulation O.D.	Material	Finish	Qty/reel
C4255F-TBE-HA	AWG#16-#24	3.10mm(max)	Brass	Tin-plated	5,000pcs
C4255F-TPE-HA	AWG#16-#24	3.10mm(max)	Phosphor Bronze	Tin-plated	5,000pcs

Note:E-Stamping before Tin-plated

C4255 SERIES

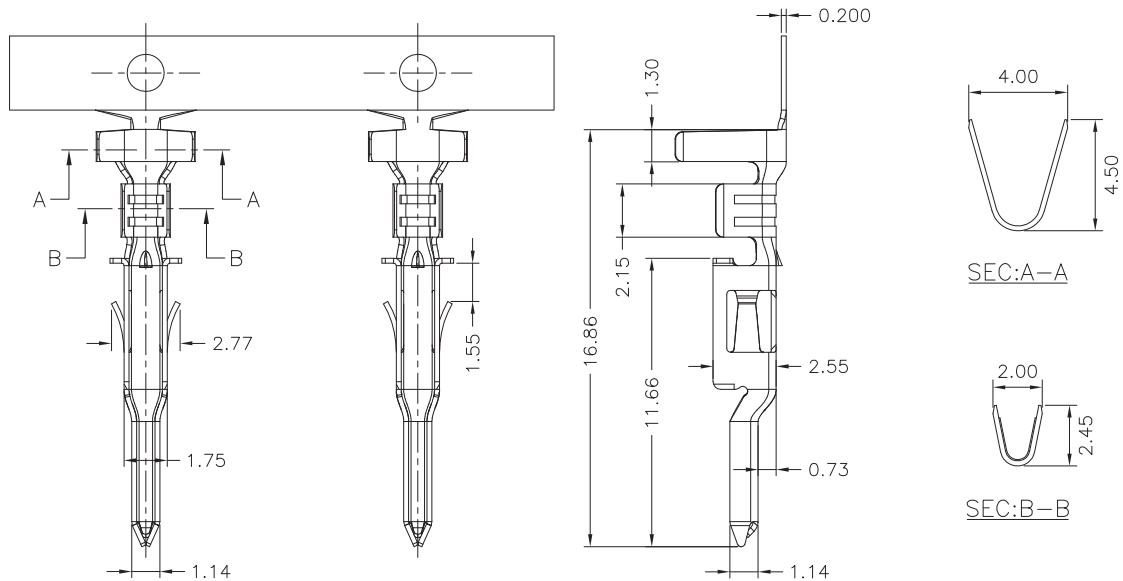
4.20mm pitch wire to wire and wire to board connector

C4255M-T

4.20mm pitch Crimp Terminal

Reference Informations:

*Used in C4255HM or C4255HMA series Housing



A
B
C
F
ST
HRJ
DC

Ordering Information & Specifications:

Unit:mm

Part No.	Wire Range	Insulation O.D.	Material	Finish	Qty/reel
C4255M-TBE-A	AWG#18-#24	3.10mm(max)	Brass	Tin-plated	5,000pcs

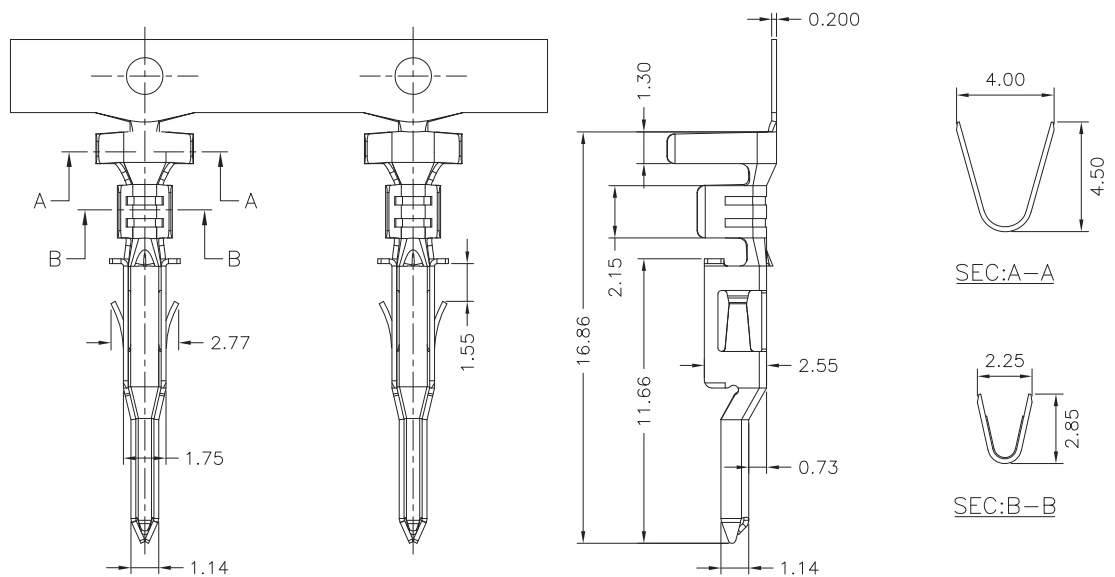
Note:E-Stamping before Tin-plated

C4255M-T

4.20mm pitch Crimp Terminal

Reference Informations:

*Used in C4255HM or C4255HMA series Housing



Ordering Information & Specifications:

Unit:mm

Part No.	Wire Range	Insulation O.D.	Material	Finish	Qty/reel
C4255M-TBE-HA	AWG#16-#24	3.10mm(max)	Brass	Tin-plated	5,000pcs

Note:E-Stamping before Tin-plated

C4255 SERIES

4.20mm pitch wire to wire and wire to board connector

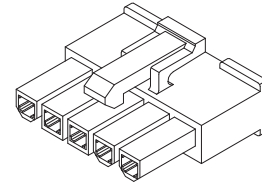
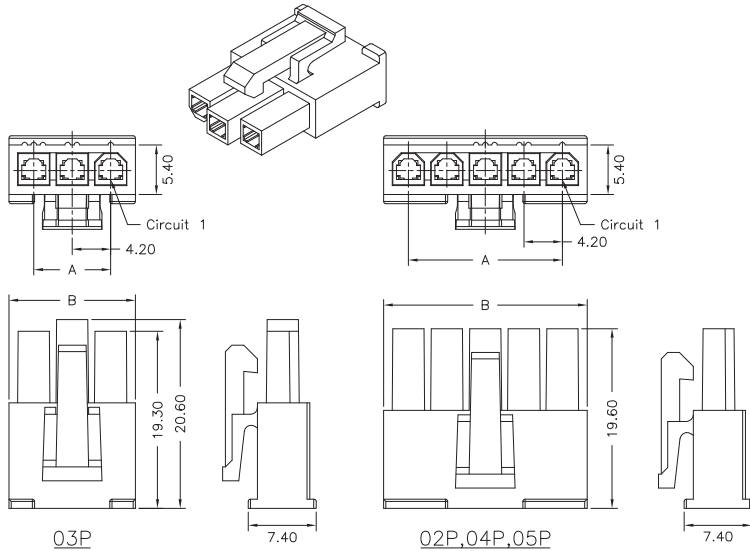
C4255HF

4.20mm pitch Single Row Housing

Reference Informations:

- *Material: Nylon 66,UL94V-2
- *Suitable C4255F series Terminal
- *Mates with C4255HM,C4255HMA series single row Housing or C4255 series single row Wafer
- *Nylon 66,UL94V-0 is available

	C4255HF-05P	N	2	N	NP	N	00	G	
		①	②	③	④	⑤	⑥	⑦	
	①	N=Halogen Free							
	②	Material: 2=Nylon 66-V2, 0=Nylon 66-V0							
	③	Color: N=Natural(Translucent), W=White							
	④	Plating code: NP=Non-plating							
	⑤	Plating code: N=Non-plating							
⑥	Option code: 00=Standard								
⑦	Packing code: G=Bag								



Ordering Information & Dimensions:

PART NO.	Dimensions	
	A	B
C4255HF-02P	4.20	9.60
C4255HF-03P	8.40	13.80
C4255HF-04P	12.60	18.00
C4255HF-05P	16.80	22.20

Unit:mm

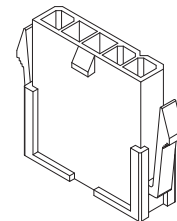
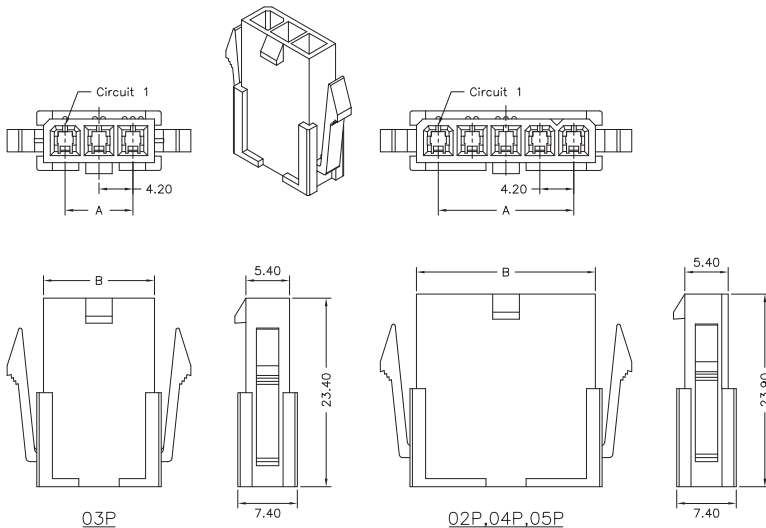
C4255HM

4.20mm pitch Single Row Housing

Reference Informations:

- *Material: Nylon 66,UL94V-2
- *Suitable C4255M series Terminal
- *Mates with C4255HF series single row Housing
- *Nylon 66,UL94V-0 is available

	C4255HM-05P	N	2	N	NP	N	00	G	
		①	②	③	④	⑤	⑥	⑦	
	①	N=Halogen Free							
	②	Material: 2=Nylon 66-V2, 0=Nylon 66-V0							
	③	Color: N=Natural(Translucent), W=White							
	④	Plating code: NP=Non-plating							
	⑤	Plating code: N=Non-plating							
⑥	Option code: 00=Standard								
⑦	Packing code: G=Bag								



Ordering Information & Dimensions:

PART NO.	Dimensions	
	A	B
C4255HM-02P	4.20	9.60
C4255HM-03P	8.40	13.80
C4255HM-04P	12.60	18.00
C4255HM-05P	16.80	22.20

Unit:mm

C4255 SERIES

4.20mm pitch wire to wire and wire to board connector

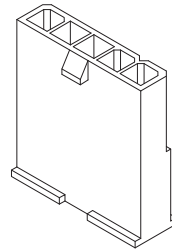
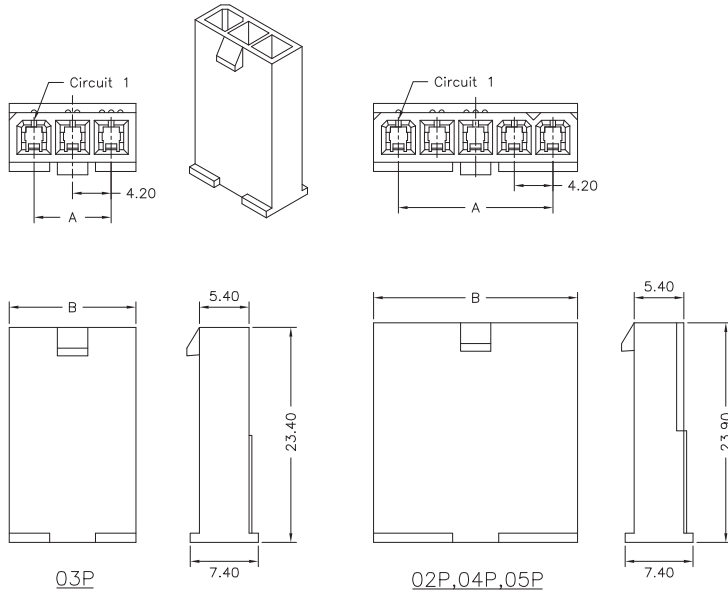
C4255HMA

4.20mm pitch Single Row Housing - Without Mounting Ears

Reference Informations:

- *Material: Nylon 66,UL94V-2
- *Suitable C4255M series Terminal
- *Mates with C4255HF series single row Housing
- *Nylon 66,UL94V-0 is available

	C4255HMA-05P N 2 N NP N 00 G						
	①	②	③	④	⑤	⑥	⑦
① N=Halogen Free							
② Material: 2=Nylon 66-V2, 0=Nylon 66-V0							
③ Color: N=Natural(Translucent), W=White							
④ Plating code: NP=Non-plating							
⑤ Plating code: N=Non-plating							
⑥ Option code: 00=Standard							
⑦ Packing code: G=Bag							



A
B
C
F
ST
HRJ
DC

Ordering Information & Dimensions:

PART NO.	Dimensions	
	A	B
C4255HMA-02P	4.20	9.60
C4255HMA-03P	8.40	13.80
C4255HMA-04P	12.60	18.00
C4255HMA-05P	16.80	22.20

Unit:mm

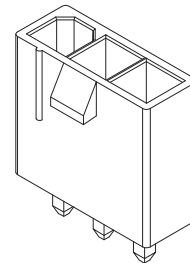
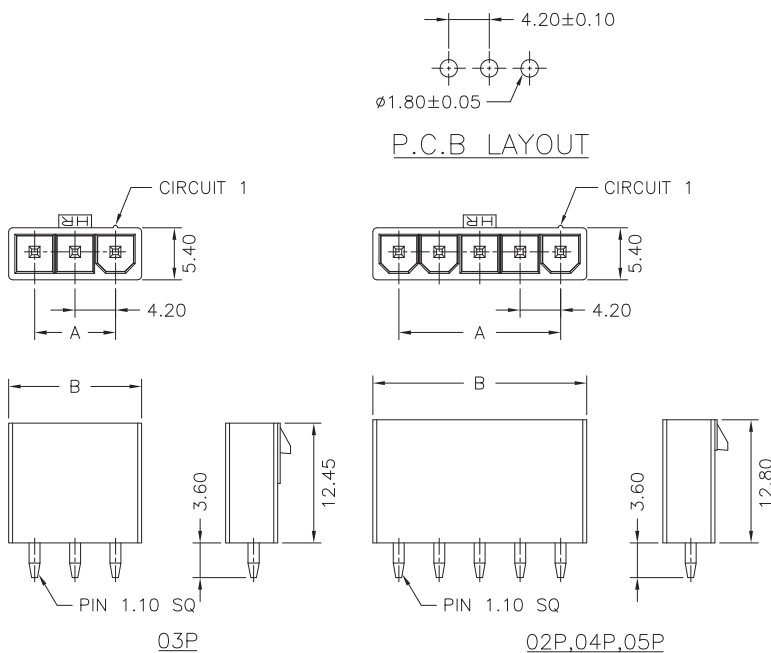
C4255WV

4.20mm pitch 180° Single Row Wafer

Reference Informations:

- *Material: Pin: Brass/Tin-plated
Wafer: Nylon 66,UL94V-2
- *Mates with C4255HF series single row Housing

	C4255WV-05P N 2 N T1 N 00 B						
	①	②	③	④	⑤	⑥	⑦
① N=Halogen Free							
② Material: 2=Nylon 66-V2							
③ Color: N=Natural(Translucent)							
④ Plating code: T1=Tin-plated							
⑤ Plating code: N=Non-plating							
⑥ Option code: 00=Standard							
⑦ Packing code: B=Tray							



Ordering Information & Dimensions:

PART NO.	Dimensions	
	A	B
C4255WV-02P	4.20	9.60
C4255WV-03P	8.40	13.80
C4255WV-04P	12.60	18.00
C4255WV-05P	16.80	22.20

Unit:mm

C4255 SERIES

4.20mm pitch wire to wire and wire to board connector

C4255WR

4.20mm pitch 90° Single Row Wafer

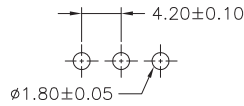
Reference Informations:

*Material: Pin: Brass/Tin-plated

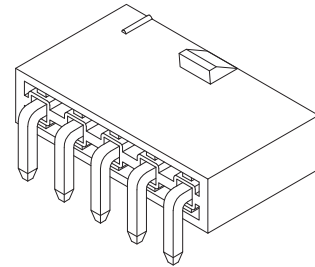
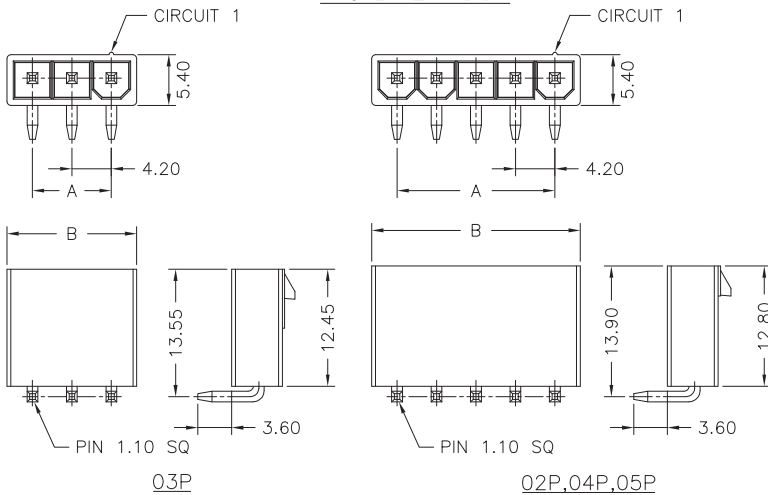
Wafer: Nylon 66,UL94V-2

*Mates with C4255HF series single row Housing

	C4255WR-05P	N	2	N	T1	N	00	B
		①	②	③	④	⑤	⑥	⑦
①	N=Halogen Free							
②	Material: 2=Nylon 66-V2							
③	Color: N=Natural(Translucent)							
④	Plating code: T1=Tin-plated							
⑤	Plating code: N=Non-plating							
⑥	Option code: 00=Standard							
⑦	Packing code: B=Tray							



P.C.B. LAYOUT



Ordering Information & Dimensions:

PART NO.	Dimensions	
	A	B
C4255WR-02P	4.20	9.60
C4255WR-03P	8.40	13.80
C4255WR-04P	12.60	18.00
C4255WR-05P	16.80	22.20

Unit:mm

C4255WR-E

4.20mm pitch 90° Single Row Wafer With Ear

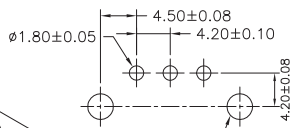
Reference Informations:

*Material: Pin: Brass/Tin-plated

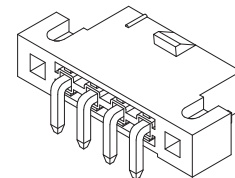
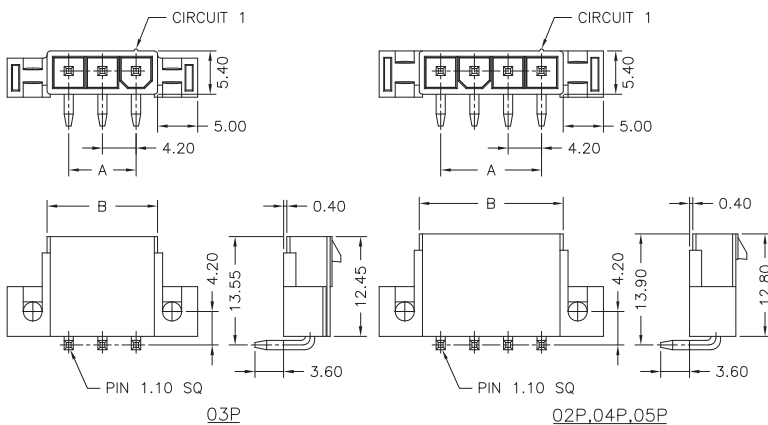
Wafer: Nylon 66,UL94V-2

*Mates with C4255HF series single row Housing

	C4255WR-E-05P	N	2	N	T1	N	00	B
		①	②	③	④	⑤	⑥	⑦
①	N=Halogen Free							
②	Material: 2=Nylon 66-V2							
③	Color: N=Natural(Translucent)							
④	Plating code: T1=Tin-plated							
⑤	Plating code: N=Non-plating							
⑥	Option code: 00=Standard							
⑦	Packing code: B=Tray							



P.C.B. LAYOUT



Ordering Information & Dimensions:

PART NO.	Dimensions	
	A	B
C4255WR-E-02P	4.20	9.60
C4255WR-E-03P	8.40	13.80
C4255WR-E-04P	12.60	18.00
C4255WR-E-05P	16.80	22.20

Unit:mm

C4255 SERIES

4.20mm pitch wire to wire and wire to board connector

C4255WR-F

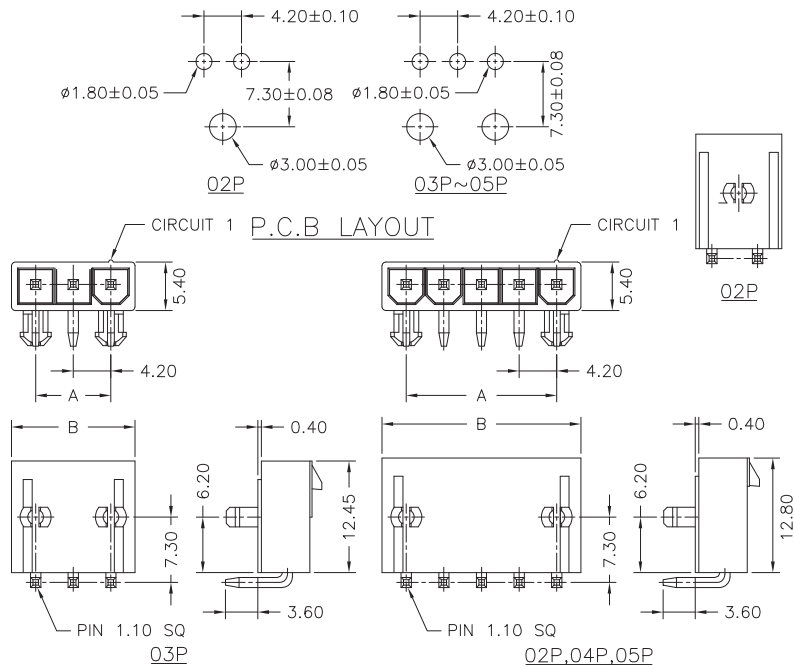
4.20mm pitch 90° Single Row Wafer With Pegs

Reference Informations:

*Material: Pin: Brass/Tin-plated

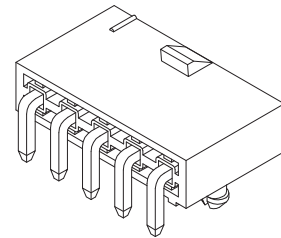
Wafer: Nylon 66,UL94V-2

*Mates with C4255HF series single row Housing



C4255WR-F-05P	N	2	N	T1	N	00	B
	①	②	③	④	⑤	⑥	⑦

① N=Halogen Free
 ② Material: 2=Nylon 66-V2
 ③ Color: N=Natural(Translucent)
 ④ Plating code: T1=Tin-plated
 ⑤ Plating code: N=Non-plating
 ⑥ Option code: 00=Standard
 ⑦ Packing code: B=Tray



A
B
C
F
ST
HRJ
DC

Ordering Information & Dimensions:

PART NO.	Dimensions	
	A	B
C4255WR-F-02P	4.20	9.60
C4255WR-F-03P	8.40	13.80
C4255WR-F-04P	12.60	18.00
C4255WR-F-05P	16.80	22.20

Unit:mm

C4255WVA-F

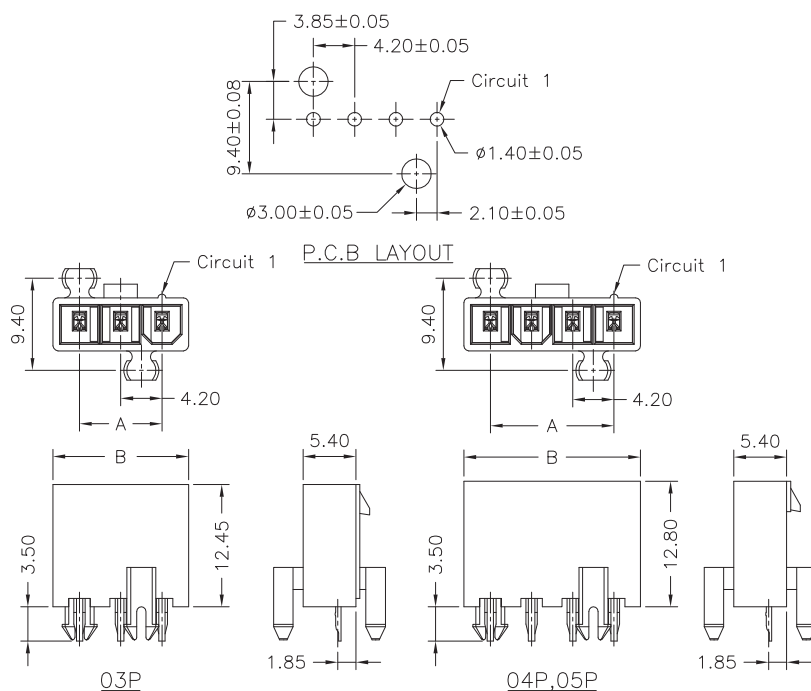
4.20mm pitch 180° Single Row Wafer With Pegs

Reference Informations:

*Material: Pin: Brass/Tin-plated

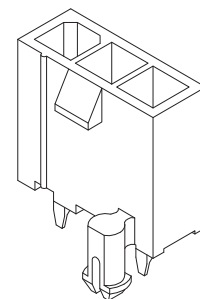
Wafer: Nylon 66,UL94V-2

*Mates with C4255HF series single row Housing



C4255WVA-F-05P	N	2	N	T1	N	00	B
	①	②	③	④	⑤	⑥	⑦

① N=Halogen Free
 ② Material: 2=Nylon 66-V2
 ③ Color: N=Natural(Translucent)
 ④ Plating code: T1=Tin-plated
 ⑤ Plating code: N=Non-plating
 ⑥ Option code: 00=Standard
 ⑦ Packing code: B=Tray



Ordering Information & Dimensions:

PART NO.	Dimensions	
	A	B
C4255WVA-F-03P	8.40	13.80
C4255WVA-F-04P	12.60	18.00
C4255WVA-F-05P	16.80	22.20

Unit:mm

C4255 SERIES

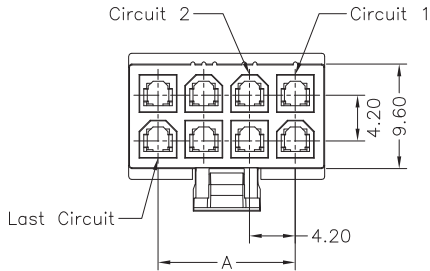
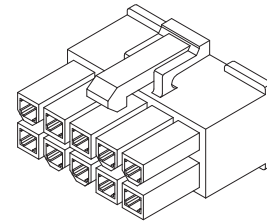
4.20mm pitch wire to wire and wire to board connector

C4255HF-2

4.20mm pitch Dual Row Housing

Reference Informations:

- *Material: Nylon 66,UL94V-2
- *Suitable C4255F series Terminal
- *Mates with C4255HM,C4255HMA series dual row Housing or C4255 series dual row Wafer
- *Nylon 66,UL94V-0 is available

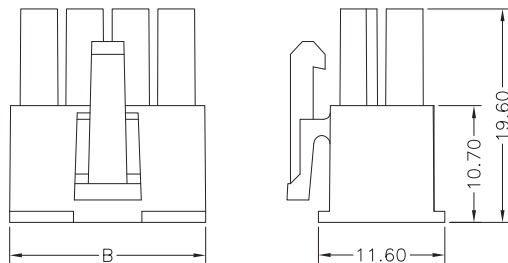


	C4255HF-2X05P						
	N	2	N	NP	N	00	G
①	②	③	④	⑤	⑥	⑦	
① N=Halogen Free							
② Material: 2=Nylon 66-V2, 0=Nylon 66-V0							
③ Color: N=Natural(Translucent), W=White							
④ Plating code: NP=Non-plating							
⑤ Plating code: N=Non-plating							
⑥ Option code: 00=Standard							
⑦ Packing code: G=Bag							

Ordering Information & Dimensions:

PART NO.	Dimensions	
	A	B
C4255HF-2X01P	-----	5.70
C4255HF-2X02P	4.20	9.60
C4255HF-2X03P	8.40	13.80
C4255HF-2X04P	12.60	18.00
C4255HF-2X05P	16.80	22.20
C4255HF-2X06P	21.00	26.40
C4255HF-2X07P	25.20	30.60
C4255HF-2X08P	29.40	34.80
C4255HF-2X09P	33.60	39.00
C4255HF-2X10P	37.80	43.20
C4255HF-2X11P	42.00	47.40
C4255HF-2X12P	46.20	51.60

Unit:mm

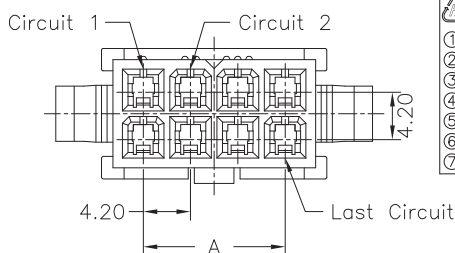
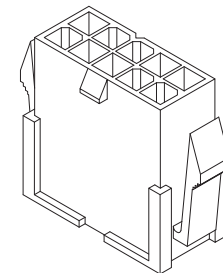


C4255HM-2

4.20mm pitch Dual Row Housing

Reference Informations:

- *Material: Nylon 66,UL94V-2
- *Suitable C4255M series Terminal
- *Mates with C4255HF series dual row Housing
- *Nylon 66,UL94V-0 is available

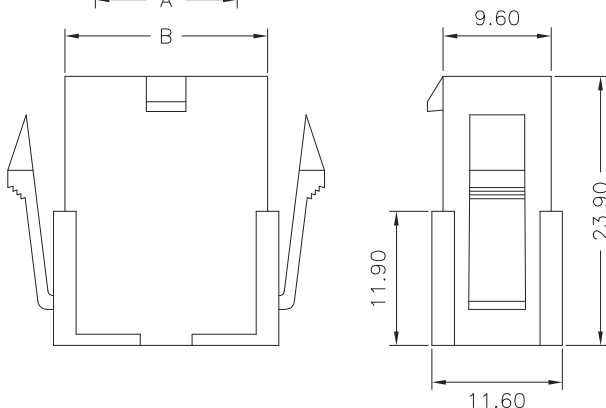


	C4255HM-2X05P						
	N	2	N	NP	N	00	G
①	②	③	④	⑤	⑥	⑦	
① N=Halogen Free							
② Material: 2=Nylon 66-V2, 0=Nylon 66-V0							
③ Color: N=Natural(Translucent), W=White							
④ Plating code: NP=Non-plating							
⑤ Plating code: N=Non-plating							
⑥ Option code: 00=Standard							
⑦ Packing code: G=Bag							

Ordering Information & Dimensions:

PART NO.	Dimensions	
	A	B
C4255HM-2X01P	-----	5.40
C4255HM-2X02P	4.20	9.60
C4255HM-2X03P	8.40	13.80
C4255HM-2X04P	12.60	18.00
C4255HM-2X05P	16.80	22.20
C4255HM-2X06P	21.00	26.40
C4255HM-2X07P	25.20	30.60
C4255HM-2X08P	29.40	34.80
C4255HM-2X09P	33.60	39.00
C4255HM-2X10P	37.80	43.20
C4255HM-2X11P	42.00	47.40
C4255HM-2X12P	46.20	51.60

Unit:mm



C4255 SERIES

4.20mm pitch wire to wire and wire to board connector

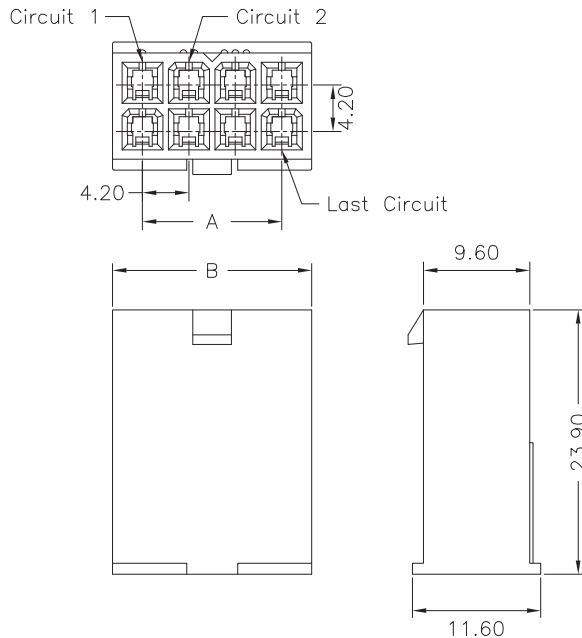
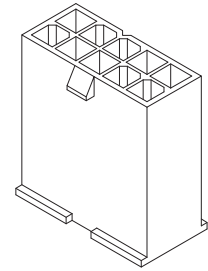
C4255HMA-2

4.20mm pitch Dual Row Housing - Without Mounting Ears

Reference Informations:

- *Material: Nylon 66,UL94V-2
- *Suitable C4255M series Terminal
- *Mates with C4255HF series dual row Housing
- *Nylon 66,UL94V-0 is available

	C4255HMA-2X05P						
	N	2	N	NP	N	00	G
①	②	③	④	⑤	⑥	⑦	
① N=Halogen Free							
② Material: 2=Nylon 66-V2, 0=Nylon 66-V0							
③ Color: N=Natural(Translucent), W=White							
④ Plating code: NP=Non-plating							
⑤ Plating code: N=Non-plating							
⑥ Option code: 00=Standard							
⑦ Packing code: G=Bag							



Ordering Information & Dimensions:

PART NO.	Dimensions	
	A	B
C4255HMA-2X01P	-----	5.40
C4255HMA-2X02P	4.20	9.60
C4255HMA-2X03P	8.40	13.80
C4255HMA-2X04P	12.60	18.00
C4255HMA-2X05P	16.80	22.20
C4255HMA-2X06P	21.00	26.40
C4255HMA-2X07P	25.20	30.60
C4255HMA-2X08P	29.40	34.80
C4255HMA-2X09P	33.60	39.00
C4255HMA-2X10P	37.80	43.20
C4255HMA-2X11P	42.00	47.40
C4255HMA-2X12P	46.20	51.60

Unit:mm

A
B
C
F
ST
HRJ
DC

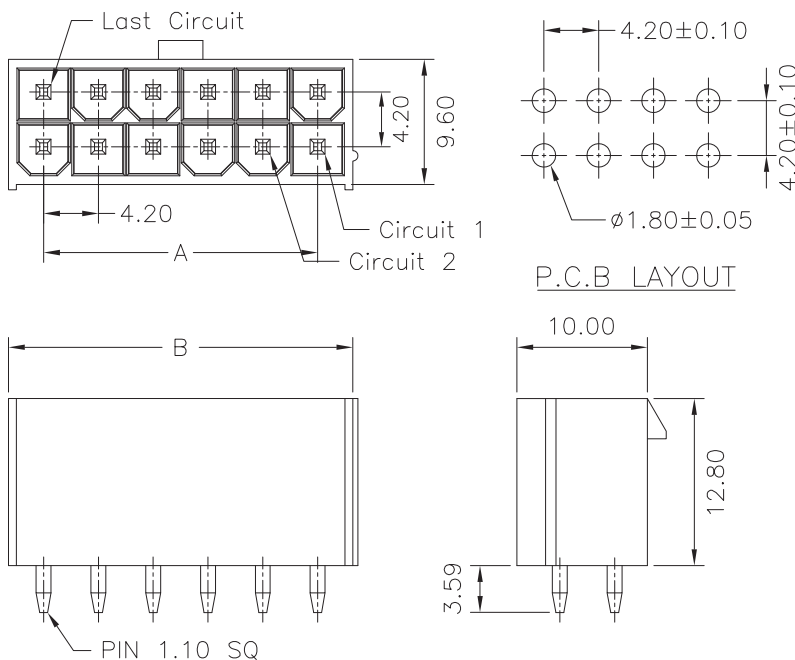
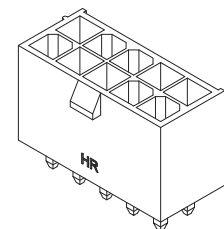
C4255WV-2

4.20mm pitch 180° Dual Row Wafer

Reference Informations:

- *Material: Pin: Brass/Tin-plated
Wafer: Nylon 66,UL94V-2
- *Mates with C4255HF series dual row Housing

	C4255WV-2X05P						
	N	2	N	T1	N	00	B
①	②	③	④	⑤	⑥	⑦	
① N=Halogen Free							
② Material: 2=Nylon 66-V2							
③ Color: N=Natural(Translucent)							
④ Plating code: T1=Tin-plated							
⑤ Plating code: N=Non-plating							
⑥ Option code: 00=Standard							
⑦ Packing code: B=Tray							



Ordering Information & Dimensions:

PART NO.	Dimensions	
	A	B
C4255WV-2X01P	-----	5.40
C4255WV-2X02P	4.20	9.60
C4255WV-2X03P	8.40	13.80
C4255WV-2X04P	12.60	18.00
C4255WV-2X05P	16.80	22.20
C4255WV-2X06P	21.00	26.40
C4255WV-2X07P	25.20	30.60
C4255WV-2X08P	29.40	34.80
C4255WV-2X09P	33.60	39.00
C4255WV-2X10P	37.80	43.20
C4255WV-2X11P	42.00	47.40
C4255WV-2X12P	46.20	51.60

Unit:mm

C4255 SERIES

4.20mm pitch wire to wire and wire to board connector

C4255WR-2

4.20mm pitch 90° Dual Row Wafer

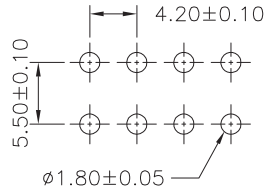
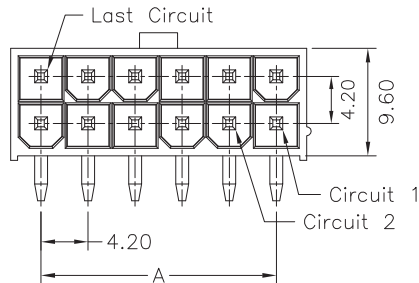
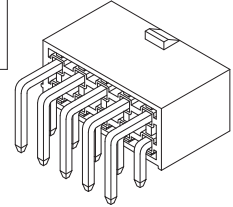
Reference Informations:

*Material: Pin: Brass/Tin-plated

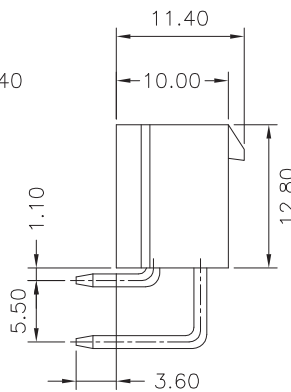
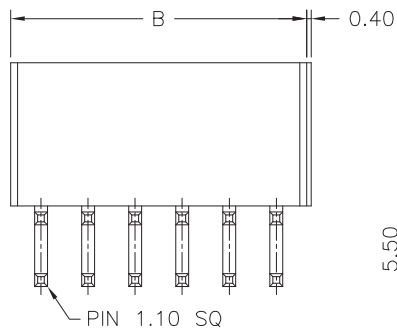
Wafer: Nylon 66,UL94V-2

*Mates with C4255HF series dual row Housing

	C4255WR-2X05P						
	N	2	N	T1	N	00	B
①	②	③	④	⑤	⑥	⑦	
①	N=Halogen Free						
②	Material: 2=Nylon 66-V2						
③	Color: N=Natural(Translucent)						
④	Plating code: T1=Tin-plated						
⑤	Plating code: N=Non-plating						
⑥	Option code: 00=Standard						
⑦	Packing code: B=Tray						



P.C.B LAYOUT



Ordering Information & Dimensions:

PART NO.	Dimensions	
	A	B
C4255WR-2X01P	-----	5.40
C4255WR-2X02P	4.20	9.60
C4255WR-2X03P	8.40	13.80
C4255WR-2X04P	12.60	18.00
C4255WR-2X05P	16.80	22.20
C4255WR-2X06P	21.00	26.40
C4255WR-2X07P	25.20	30.60
C4255WR-2X08P	29.40	34.80
C4255WR-2X09P	33.60	39.00
C4255WR-2X10P	37.80	43.20
C4255WR-2X11P	42.00	47.40
C4255WR-2X12P	46.20	51.60

Unit:mm

C4255WR-E-2

4.20mm pitch 90° Dual Row Wafer With Ear

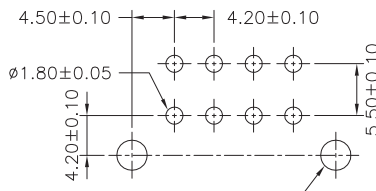
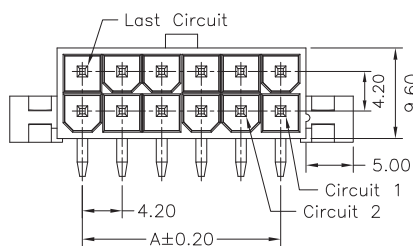
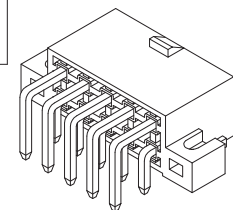
Reference Informations:

*Material: Pin: Brass/Tin-plated

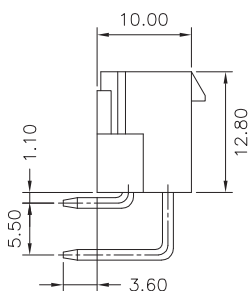
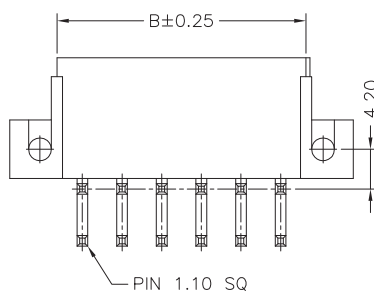
Wafer: Nylon 66,UL94V-2

*Mates with C4255HF series dual row Housing

	C4255WR-E-2X05P						
	N	2	N	T1	N	00	B
①	②	③	④	⑤	⑥	⑦	
①	N=Halogen Free						
②	Material: 2=Nylon 66-V2						
③	Color: N=Natural(Translucent)						
④	Plating code: T1=Tin-plated						
⑤	Plating code: N=Non-plating						
⑥	Option code: 00=Standard						
⑦	Packing code: B=Tray						



P.C.B LAYOUT



Ordering Information & Dimensions:

PART NO.	Dimensions	
	A	B
C4255WR-E-2X01P	-----	5.40
C4255WR-E-2X02P	4.20	9.60
C4255WR-E-2X03P	8.40	13.80
C4255WR-E-2X04P	12.60	18.00
C4255WR-E-2X05P	16.80	22.20
C4255WR-E-2X06P	21.00	26.40
C4255WR-E-2X07P	25.20	30.60
C4255WR-E-2X08P	29.40	34.80
C4255WR-E-2X09P	33.60	39.00
C4255WR-E-2X10P	37.80	43.20
C4255WR-E-2X11P	42.00	47.40
C4255WR-E-2X12P	46.20	51.60

Unit:mm

C4255 SERIES

4.20mm pitch wire to wire and wire to board connector

C4255WR-F-2

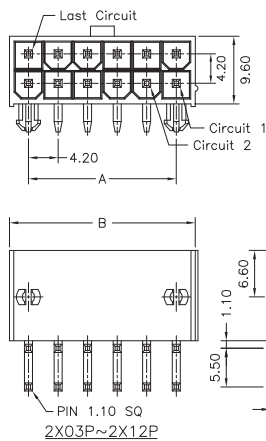
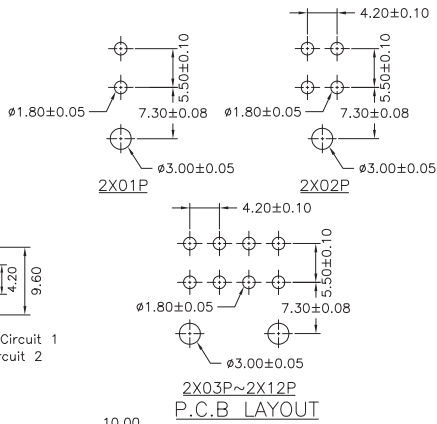
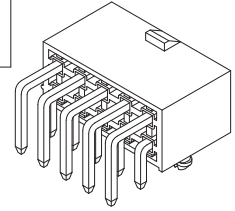
4.20mm pitch 90° Dual Row Wafer With Foot

Reference Informations:

- *Material: Pin: Brass/Tin-plated
Wafer: Nylon 66,UL94V-2
- *Mates with C4255HF series dual row Housing

	C4255WR-F-2X05P						
	N	2	N	T1	N	00	B
	①	②	③	④	⑤	⑥	⑦

① N=Halogen Free
 ② Material: 2=Nylon 66-V2
 ③ Color: N=Natural(Translucent)
 ④ Plating code: T1=Tin-plated
 ⑤ Plating code: N=Non-plating
 ⑥ Option code: 00=Standard
 ⑦ Packing code: B=Tray



Ordering Information & Dimensions:

PART NO.	Dimensions	
	A	B
C4255WR-F-2X01P	-----	5.40
C4255WR-F-2X02P	4.20	9.60
C4255WR-F-2X03P	8.40	13.80
C4255WR-F-2X04P	12.60	18.00
C4255WR-F-2X05P	16.80	22.20
C4255WR-F-2X06P	21.00	26.40
C4255WR-F-2X07P	25.20	30.60
C4255WR-F-2X08P	29.40	34.80
C4255WR-F-2X09P	33.60	39.00
C4255WR-F-2X10P	37.80	43.20
C4255WR-F-2X11P	42.00	47.40
C4255WR-F-2X12P	46.20	51.60

Unit:mm

C4255WVA-2

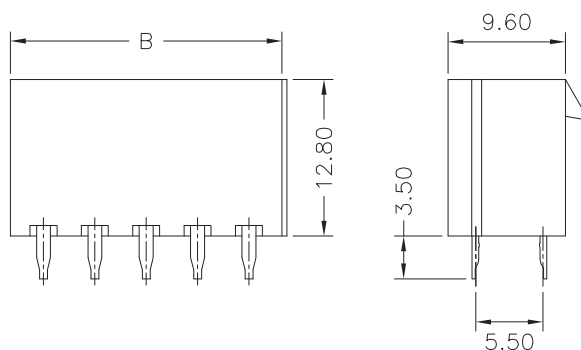
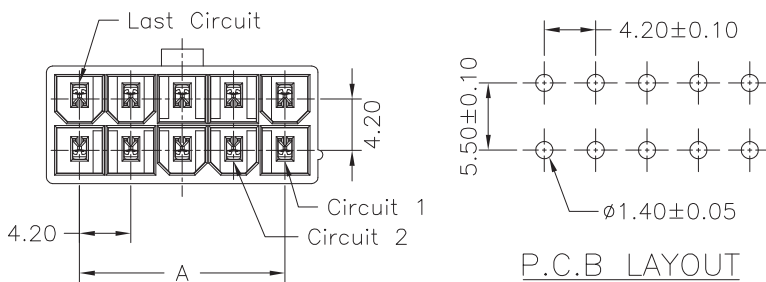
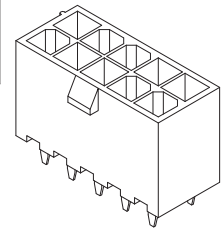
4.20mm pitch 180° Dual Row Wafer

Reference Informations:

- *Material: Pin: Brass/Tin-plated
Wafer: Nylon 66,UL94V-2
- *Mates with C4255HF series dual row Housing
- *Nylon 46 is available

	C4255WVA-2X05P						
	N	2	N	T1	N	00	B
	①	②	③	④	⑤	⑥	⑦

① N=Halogen Free
 ② Material: 2=Nylon 66-V2, 0=Nylon 66-V0
 ③ Color: N=Natural(Translucent), W=White
 ④ Plating code: T1=Tin-plated
 ⑤ Plating code: N=Non-plating
 ⑥ Option code: 00=Standard
 ⑦ Packing code: B=Tray



Ordering Information & Dimensions:

PART NO.	Dimensions	
	A	B
C4255WVA-2X01P	-----	5.40
C4255WVA-2X02P	4.20	9.60
C4255WVA-2X03P	8.40	13.80
C4255WVA-2X04P	12.60	18.00
C4255WVA-2X05P	16.80	22.20
C4255WVA-2X06P	21.00	26.40
C4255WVA-2X07P	25.20	30.60
C4255WVA-2X08P	29.40	34.80
C4255WVA-2X09P	33.60	39.00
C4255WVA-2X10P	37.80	43.20
C4255WVA-2X11P	42.00	47.40
C4255WVA-2X12P	46.20	51.60

Unit:mm

A
B
C
F
ST
HRJ
DC

C4255 SERIES

4.20mm pitch wire to wire and wire to board connector

C4255WVA-F-2

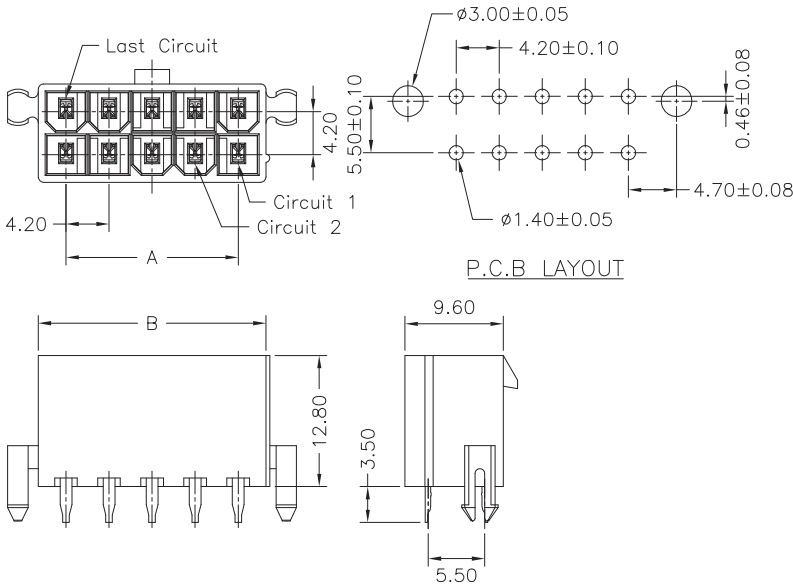
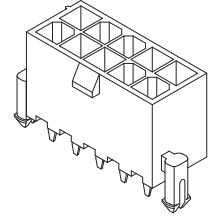
4.20mm pitch 180° Dual Row Wafer With Foot

Reference Informations:

- *Material: Pin: Brass/Tin-plated
Wafer: Nylon 66,UL94V-2
- *Mates with C4255HF series dual row Housing
- *Nylon 46 is available

C4255WVA-F-2X05P	N	2	N	T1	N	00	B
	①	②	③	④	⑤	⑥	⑦

- ① N=Halogen Free
- ② Material: 2=Nylon 66-V2, 0=Nylon 66-V0
- ③ Color: N=Natural(Translucent), W=White
- ④ Plating code: T1=Tin-plated
- ⑤ Plating code: N=Non-plating
- ⑥ Option code: 00=Standard
- ⑦ Packing code: B=Tray



Ordering Information & Dimensions:

PART NO.	Dimensions	
	A	B
C4255WVA-F-2X01P	-----	5.40
C4255WVA-F-2X02P	4.20	9.60
C4255WVA-F-2X03P	8.40	13.80
C4255WVA-F-2X04P	12.60	18.00
C4255WVA-F-2X05P	16.80	22.20
C4255WVA-F-2X06P	21.00	26.40
C4255WVA-F-2X07P	25.20	30.60
C4255WVA-F-2X08P	29.40	34.80
C4255WVA-F-2X09P	33.60	39.00
C4255WVA-F-2X10P	37.80	43.20
C4255WVA-F-2X11P	42.00	47.40
C4255WVA-F-2X12P	46.20	51.60

Unit:mm

C4255HF-2X03P

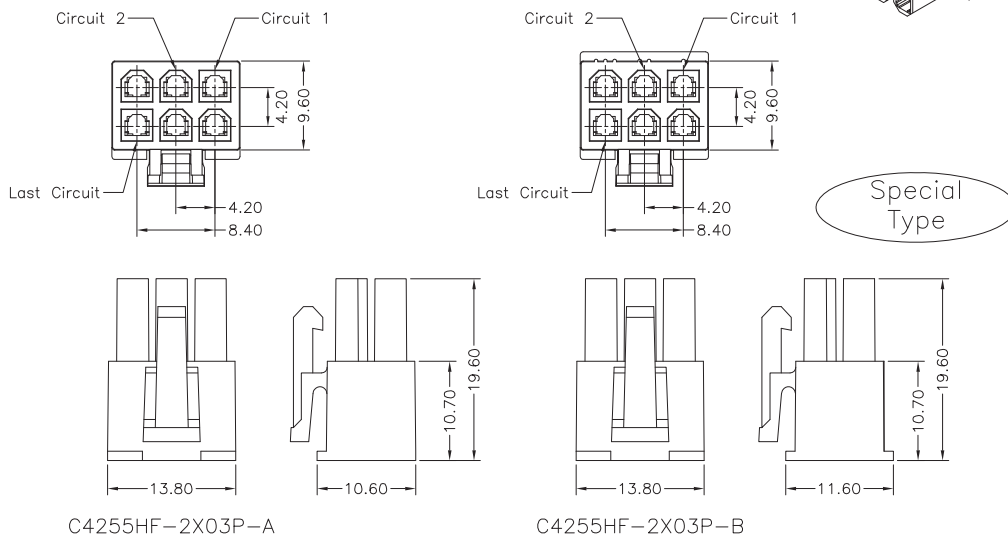
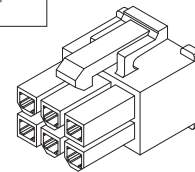
4.20mm pitch Dual Row Housing - Special Type

Reference Informations:

- *Material: Nylon 66,UL94V-2,Black
- *Suitable C4255F series Terminal
- *Mates with C4255HM series dual row Housing or C4255 series dual row Wafer

C4255HF-2X03P	N	2	B	NP	N	A0	G
	①	②	③	④	⑤	⑥	⑦

- ① N=Halogen Free
- ② Material: 2=Nylon 66-V2
- ③ Color: B=Black
- ④ Plating code: NP=Non-plating
- ⑤ Plating code: N=Non-plating
- ⑥ Option code: A0=Special type A, B0=Special type B
- ⑦ Packing code: G=Bag



C4255 SERIES

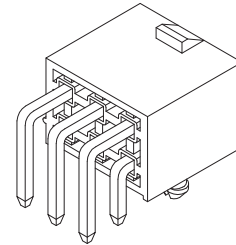
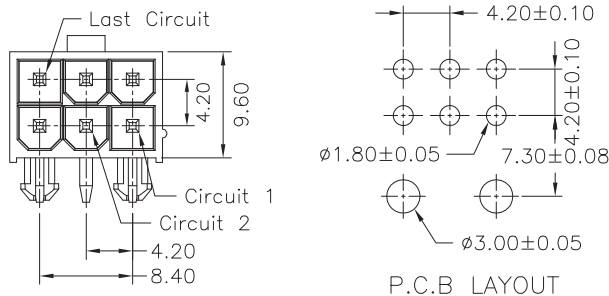
4.20mm pitch wire to wire and wire to board connector

C4255WR-F-2X03PA

4.20mm pitch 90° Dual Row Wafer With Foot - Special Type

Reference Informations:

- *Material: Pin: Brass/Tin-plated
Wafer: Nylon 66,UL94V-2,Black
- *Mates with C4255HF-2X03P series special type Housing



Special Type

	C4255WR-F-2X03P						
	N	2	B	T1	N	A0	B
	①	②	③	④	⑤	⑥	⑦
①	N=Halogen Free						
②	Material: 2=Nylon 66-V2						
③	Color: B=Black						
④	Plating code: T1=Tin-plated						
⑤	Plating code: N=Non-plating						
⑥	Option code: A0=Special type A						
⑦	Packing code: B=Tray						

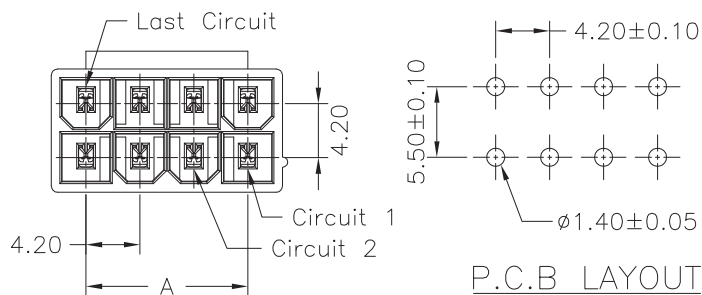
A
B
C
F
ST
HRJ
DC

C4255WVA-2

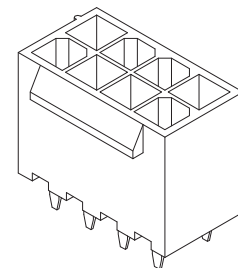
4.20mm pitch 180° Dual Row Wafer - Special Type

Reference Informations:

- *Material: Pin: Brass/Tin-plated
Wafer: Nylon 66,UL94V-2
- *Mates with C4255HF series dual row Housing



	C4255WVA-2X12P						
	N	2	N	T1	N	S0	B
	①	②	③	④	⑤	⑥	⑦
①	N=Halogen Free						
②	Material: 2=Nylon 66-V2						
③	Color: N=Natural(translucent)						
④	Plating code: T1=Tin-plated						
⑤	Plating code: N=Non-plating						
⑥	Option code: S0=Special type						
⑦	Packing code: B=Tray						



Special Type

Ordering Information & Dimensions:

PART NO.	Dimensions	
	A	B
C4255WVA-2X04PS	12.60	18.00
C4255WVA-2X12PS	46.20	51.60

Unit:mm

C4255 SERIES

4.20mm pitch wire to wire and wire to board connector

C4255WVA-F4

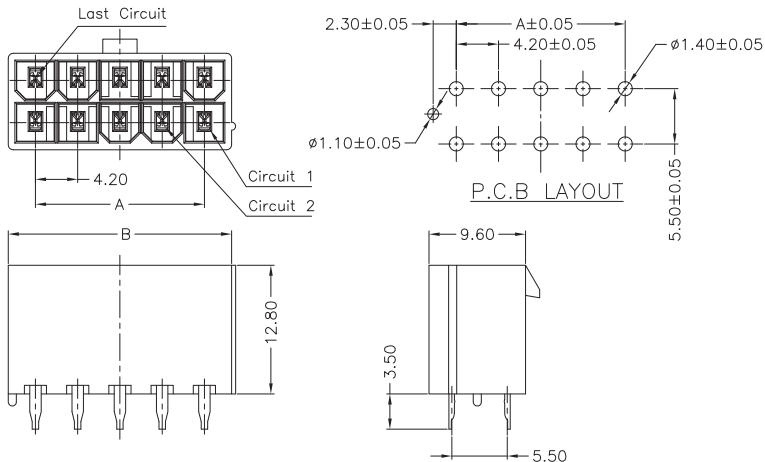
4.20mm pitch 90° Dual Row Wafer With Foot

Reference Informations:

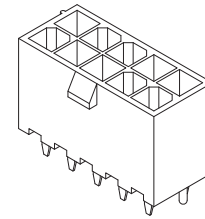
*Material: Pin: Brass/Tin-plated

Wafer: Nylon 66,UL94V-0

*Mates with C4255HF series dual row Housing



	C4255WVA-F4-2X05P		N	0	X	T1	N	00	B
	①	②	③	④	⑤	⑥	⑦		
① N=Halogen Free ② Material: 0=Nylon 66-V0 ③ Color: B=Black; E=Beige ④ Plating code: T1=Tin-plated ⑤ Plating code: N=Non-plating ⑥ Option code: 00=Standard ⑦ Packing code: B=Tray									



Ordering Information & Dimensions:

PART NO.	Dimensions	
	A	B
C4255WVA-F4-2X01P	---	5.40
C4255WVA-F4-2X02P	4.20	9.60
C4255WVA-F4-2X03P	8.40	13.80
C4255WVA-F4-2X04P	12.60	18.00
C4255WVA-F4-2X05P	16.80	22.20
C4255WVA-F4-2X06P	21.00	26.40
C4255WVA-F4-2X07P	25.20	30.60
C4255WVA-F4-2X08P	29.40	34.80
C4255WVA-F4-2X09P	33.60	39.00
C4255WVA-F4-2X10P	37.80	43.20
C4255WVA-F4-2X11P	42.00	47.40
C4255WVA-F4-2X12P	46.20	51.60

Unit:mm

C4255WVA-F5

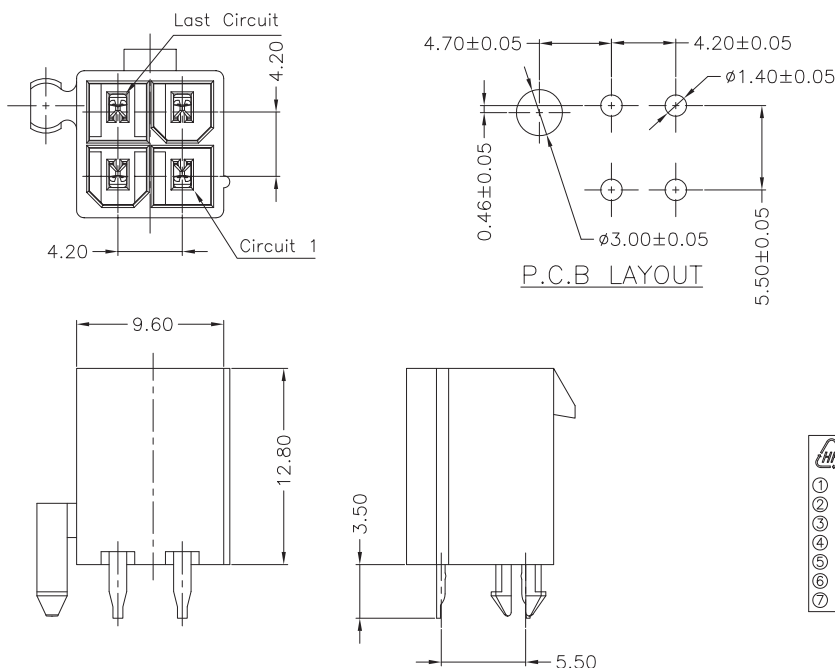
4.20mm pitch 90° Dual Row Wafer With Foot

Reference Informations:

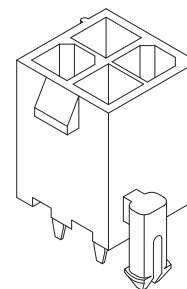
*Material: Pin: Brass/Tin-plated

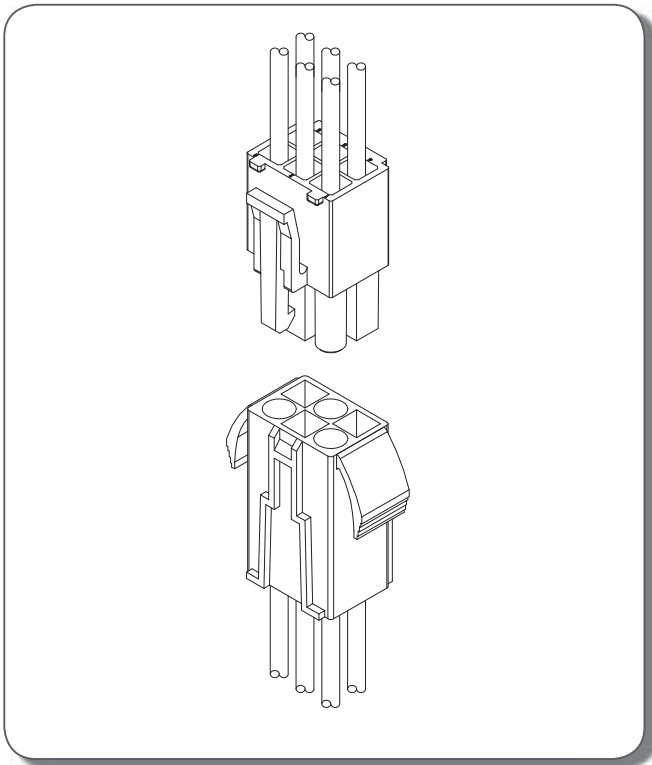
Wafer: Nylon 66,UL94V-0

*Mates with C4255HF series dual row Housing



	C4255WVA-F5-2X02P		N	0	E	T1	N	00	B
	①	②	③	④	⑤	⑥	⑦		
① N=Halogen Free ② Material: 0=Nylon 66-V0 ③ Color: E=Beige ④ Plating code: T1=Tin-plated ⑤ Plating code: N=Non-plating ⑥ Option code: 00=Standard ⑦ Packing code: B=Tray									



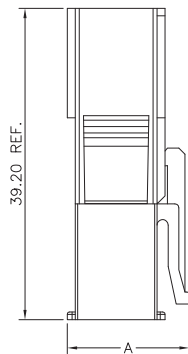


Specifications

Current rating: 10A AC,DC
 Voltage rating: 300V AC,DC
 Temperature range: -25°C ~ +85°C
 Contact resistance: 7mΩ Max.
 Insulation resistance: 1000MΩ Min.
 Withstanding voltage: 1500V AC/minute

A
 B
C
 F
 ST
 HRJ
 DC

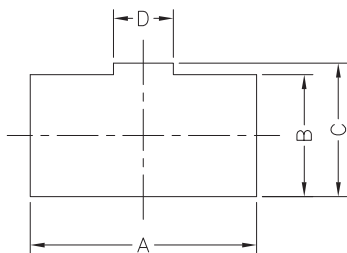
Assembly layout



PART NO.	Dimension A
C4500-02P	10.85
C4500-03P	10.85
C4500-04P	10.85
C4500-2X02P	15.35
C4500-2X03P	15.35
C4500-3X03P	19.85
C4500-3X04P	19.85
C4500-3X05P	19.85

Unit:mm

Panel hole layout



PART NO.	Dimensions			
	A	B	C	D
C4500HM-02P	15.00	6.00	6.85	5.20
C4500HM-03P	19.70	6.00	6.85	5.20
C4500HM-04P	24.20	6.00	6.85	5.20
C4500HM-2X02P	15.60	10.60	11.60	5.20
C4500HM-2X03P	19.70	10.60	11.60	5.20
C4500HM-3X03P	19.70	14.80	15.70	5.20
C4500HM-3X04P	24.20	14.80	15.70	5.20
C4500HM-3X05P	28.70	14.80	15.70	5.20

Unit:mm

Ordering code

① C4500 ② F-T ③ B ④ E ⑤ -H

- ① Series No.
- ② Terminal type: F=Female, M=Male
- ③ Plating code: T=Tin-plated
- ④ Material: B=Brass
- ⑤ E=Stamping before plating
- ⑥ Option code:
-H=For AWG#16-#20 wire

① C4500 ② HM ③ A- ④ 2X ⑤ 05P

- ① Series No.
- ② Housing type: HF=Receptacle
HM=Plug
- ③ Blank=With mounting ears
A=Without mounting ears
- ④ Blank=Single row, 2X=Dual row, 3X=Triple row
- ⑤ No. of circuits

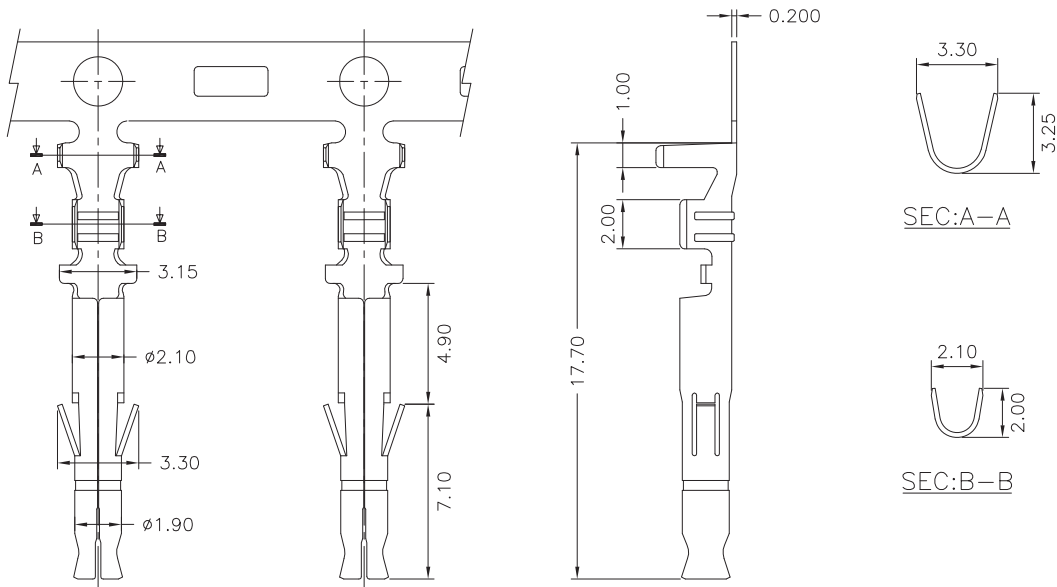
A
B
C
F
ST
HRJ
DC

C4500F-T

4.50mm pitch Crimp Terminal

Reference Informations:

*Used in H.R C4500HF series Housing



Ordering Information & Specifications:

Unit:mm

Part No.	Wire Range	Insulation O.D.	Material	Finish	Qty/reel
C4500F-TBE	AWG#20-#26	2.70mm(max)	Brass	Tin-plated	5,000pcs

Note:E-Stamping before Tin-plated

C4500 SERIES

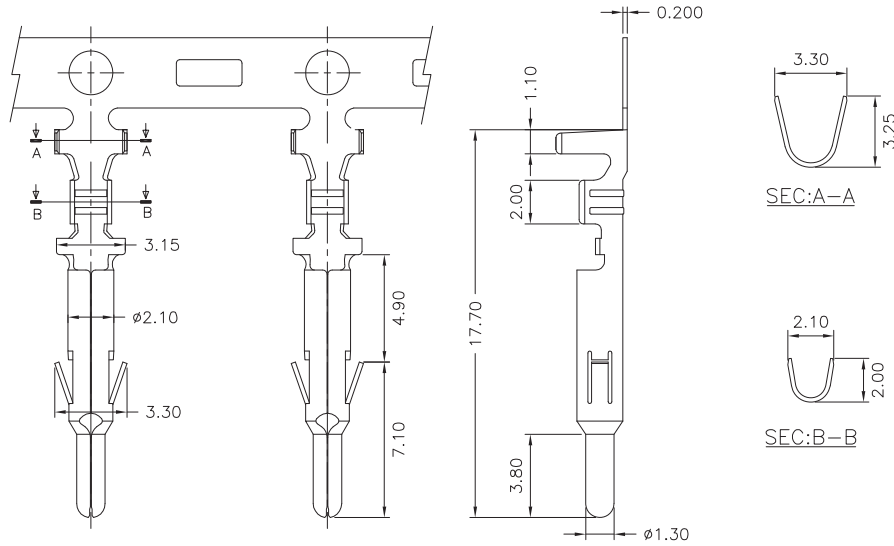
4.50mm pitch wire to wire connector

C4500M-T

4.50mm pitch Crimp Terminal

Reference Informations:

*Used in C4500HM series Housing



A
B
C
F
ST
HRJ
DC

Ordering Information & Specifications:

Unit:mm

Part No.	Wire Range	Insulation O.D.	Material	Finish	Qty/reel
C4500M-TBE	AWG#20-#26	2.70mm(max)	Brass	Tin-plated	5,000pcs

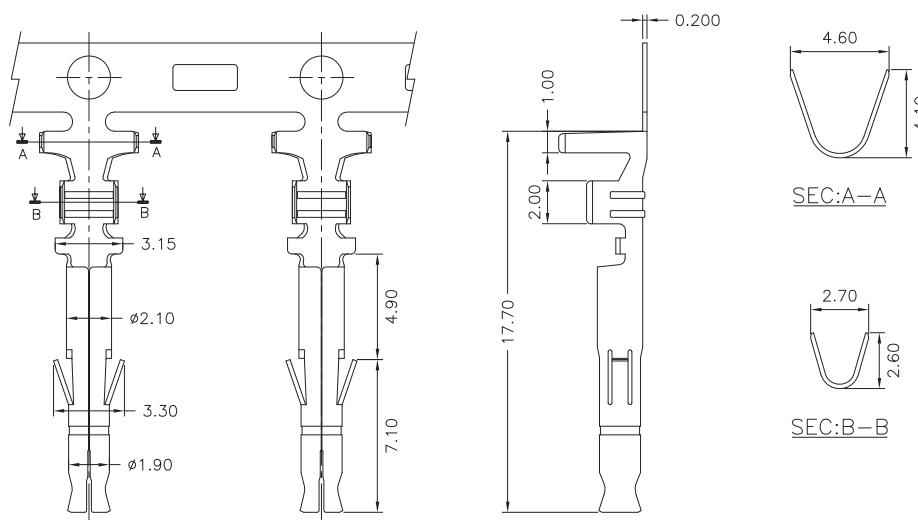
Note:E-Stamping before Tin-plated

C4500F-T

4.50mm pitch Crimp Terminal

Reference Informations:

*Used in C4500HF series Housing



Ordering Information & Specifications:

Unit:mm

Part No.	Wire Range	Insulation O.D.	Material	Finish	Qty/reel
C4500F-TBE-H	AWG#16-#20	3.40mm(max)	Brass	Tin-plated	4,000pcs

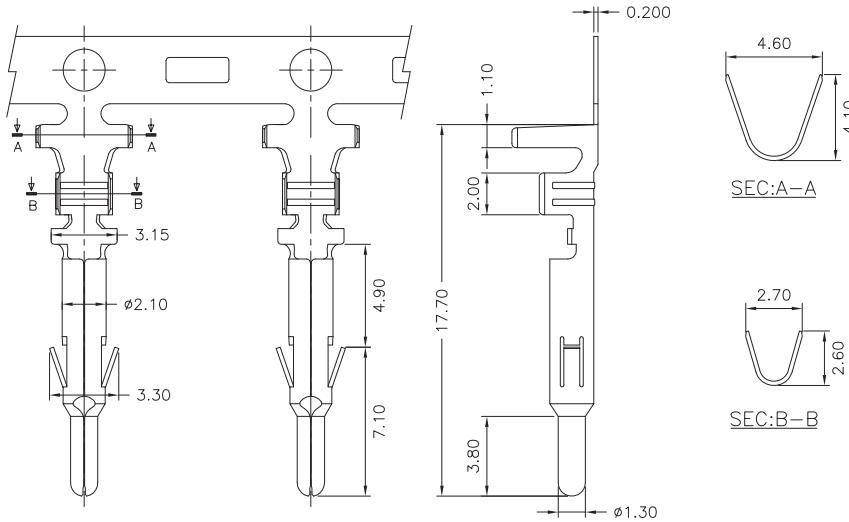
Note:E-Stamping before Tin-plated

C4500M-T

4.50mm pitch Crimp Terminal

Reference Informations:

*Used in C4500HM series Housing



Ordering Information & Specifications:

Unit:mm

Part No.	Wire Range	Insulation O.D.	Material	Finish	Qty/reel
C4500M-TBE-H	AWG#16-#20	3.40mm(max)	Brass	Tin-plated	4,000pcs

Note:E-Stamping before Tin-plated

C4500 SERIES

4.50mm pitch wire to wire connector

C4500H — 4.50mm pitch Housing

Reference Informations:

*Material: Nylon 66,UL94V-0

	C4500HMA-2X05P						
	N	0	W	NP	N	00	G
	①	②	③	④	⑤	⑥	⑦
①	N=Halogen Free						
②	Material: 0=Nylon 66-V0						
③	Color: W=White						
④	Plating code: NP=Non-plating						
⑤	Plating code: N=Non-plating						
⑥	Option code: 00=Standard						
⑦	Packing code: G=Bag						

Ordering Information & Dimensions:

Unit:mm

C4500HM(A)	C4500HF
<p>C4500HM-02P</p>	<p>C4500HF-02P</p>
<p>C4500HM-03P</p>	<p>C4500HF-03P</p>
<p>C4500HM-04P</p>	<p>C4500HF-04P</p>
<p>C4500HM-2X02P</p>	<p>C4500HF-2X02P</p>

A
B
C
F
ST
HRJ
DC

C4500 SERIES

4.50mm pitch wire to board connector

C4500H

4.50mm pitch Housing

Reference Informations:

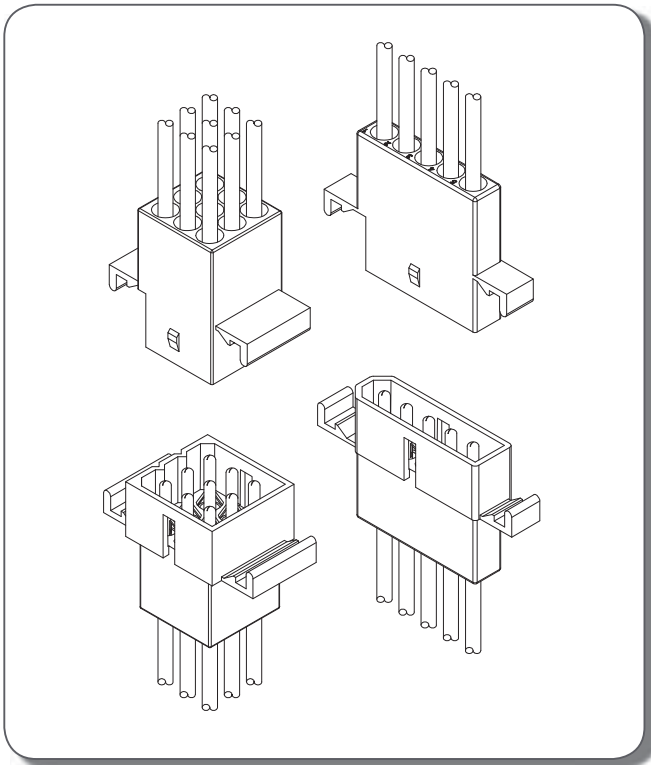
*Material: Nylon 66,UL94V-0

Ordering Information & Dimensions:

Unit:mm

A
B
C
F
ST
HRJ
DC

C4500HM(A)	C4500HF
<p>C4500HM-2X03P</p>	<p>C4500HF-2X03P</p>
<p>C4500HM-3X03P</p>	<p>C4500HF-3X03P</p>
<p>C4500HM-3X04P</p>	<p>C4500HF-3X04P</p>
<p>C4500HM-3X05P</p>	<p>C4500HF-3X05P</p>

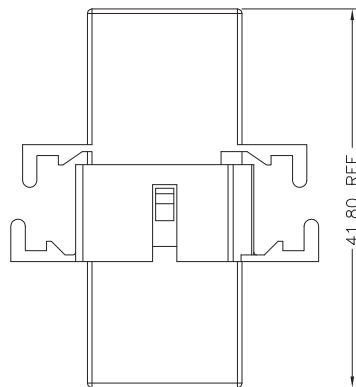


Specifications

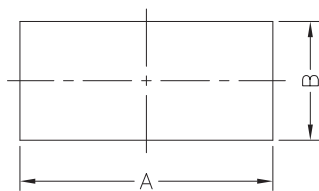
Current rating: 12A AC,DC
 Voltage rating: 250V AC,DC
 Temperature range: -25°C ~ +85°C
 Contact resistance: 10mΩ Max.
 Insulation resistance: 1000MΩ Min.
 Withstanding voltage: 1500V AC/minute

A
 B
C
 F
 ST
 HRJ
 DC

Assembly layout



Panel hole layout



PART NO.	Dimensions		PART NO.	Dimensions	
	A	B		A	B
C5030HM-02P	20.32	9.53	C5030HF-02P	18.42	7.92
C5030HM-03P	23.70	9.53	C5030HF-03P	21.08	7.92
C5030HM-04P	28.73	9.53	C5030HF-04P	26.36	7.92
C5030HM-05P	33.78	9.53	C5030HF-05P	31.24	7.92
C5030HM-2X02P	14.10	17.65	C5030HF-2X02P	12.70	15.24
C5030HM-3X02P	19.05	17.65	C5030HF-3X02P	18.24	15.24
C5030HM-3X03P	23.62	19.30	C5030HF-3X03P	21.03	18.42
C5030HM-3X04P	29.34	19.30	C5030HF-3X04P	26.67	18.42
C5030HM-3X05P	34.11	19.30	C5030HF-3X05P	31.50	18.42

Unit:mm

Ordering code

① C5030 ② F-T ③ B ④ E ⑤ -H

- ① Series No.
- ② Terminal type: F=Female, M=Male
- ③ Plating code: T=Tin-plated
- ④ Material: B=Brass
- ⑤ E=Stamping before plating
- ⑥ Option code:
-H=For AWG#14-#20 wire

① C5030 ② HM ③ A- ④ 3X ⑤ 05P

- ① Series No.
- ② Housing type: HF=Receptacle
HM=Plug
- ③ Blank=With mounting ears
A=Without mounting ears
- ④ Blank=Single row, 2X=Dual row, 3X=Triple row
- ⑤ No. of circuits

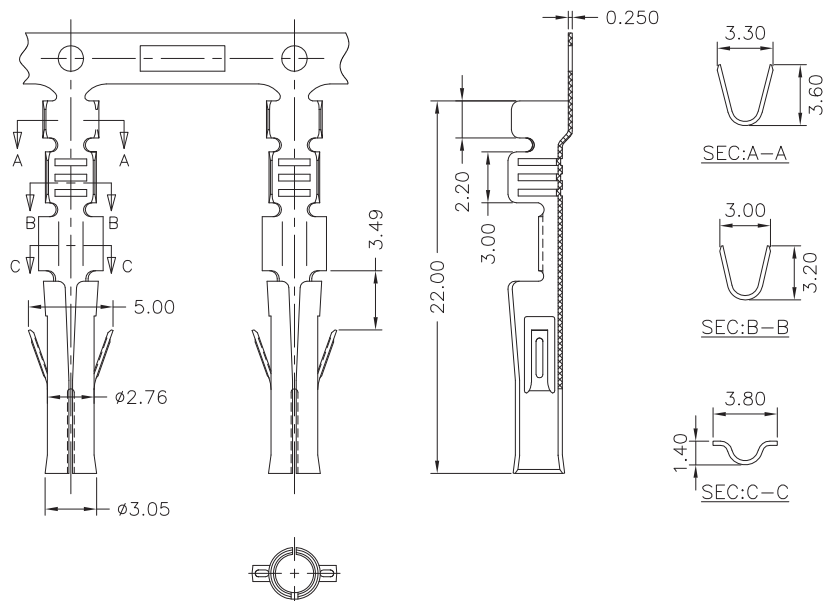
A
B
C
F
ST
HRJ
DC

C5030F-T

5.03mm pitch Crimp Terminal

Reference Informations:

*Used in H.R C5030HF series Housing



Ordering Information & Specifications:

Unit:mm

Part No.	Wire Range	Insulation O.D.	Material	Finish	Qty/reel
C5030F-TBE	AWG#18-#24	3.10mm(max)	Brass	Tin-plated	5,000pcs

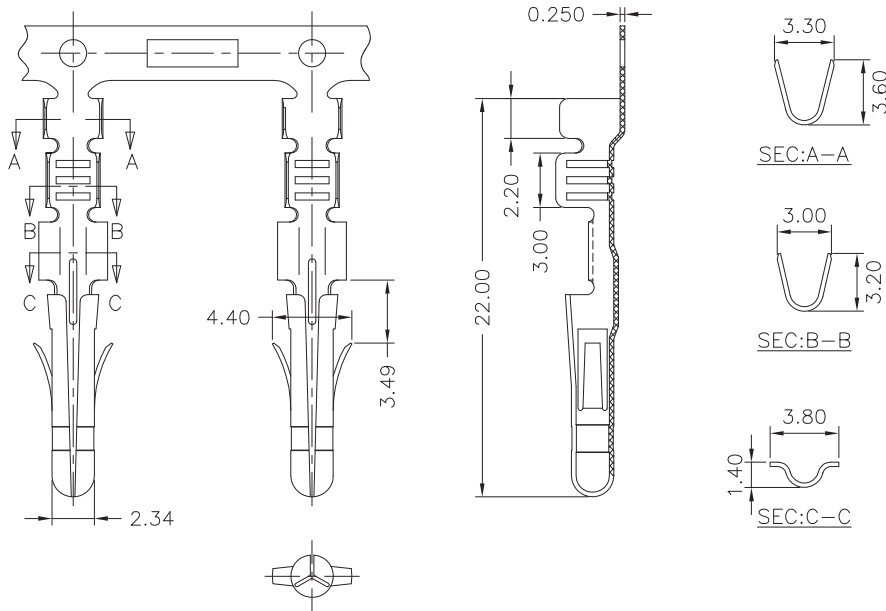
Note:E-Stamping before Tin-plated

C5030M-T

5.03mm pitch Crimp Terminal

Reference Informations:

*Used in C5030HM series Housing



A
B
C
F
ST
HRJ
DC

Ordering Information & Specifications:

Unit:mm

Part No.	Wire Range	Insulation O.D.	Material	Finish	Qty/reel
C5030M-TBE	AWG#18-#24	3.10mm(max)	Brass	Tin-plated	5,000pcs

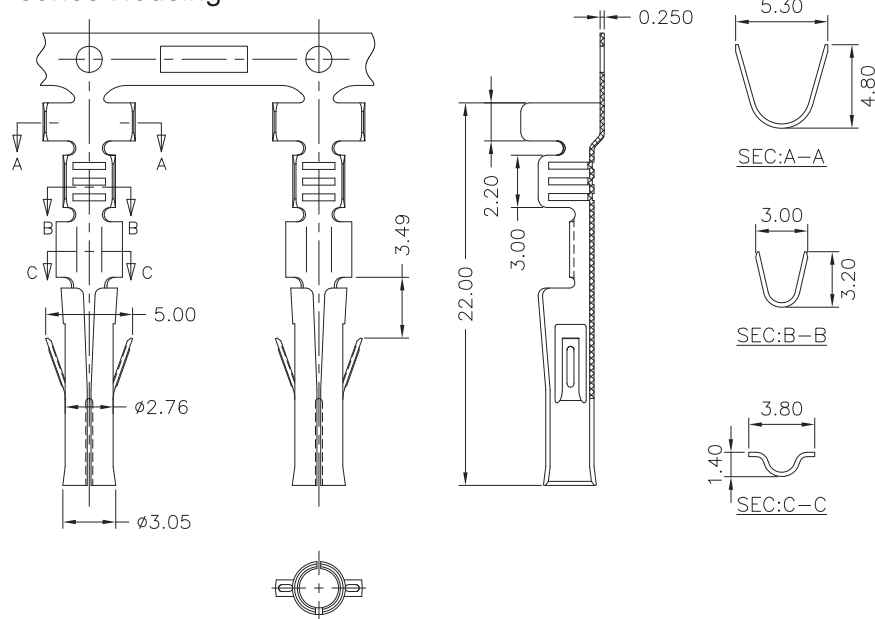
Note:E-Stamping before Tin-plated

C5030F-T

5.03mm pitch Crimp Terminal

Reference Informations:

*Used in C5030HF series Housing



Ordering Information & Specifications:

Unit:mm

Part No.	Wire Range	Insulation O.D.	Material	Finish	Qty/reel
C5030F-TBE-H	AWG#14-#20	4.10mm(max)	Brass	Tin-plated	4,000pcs

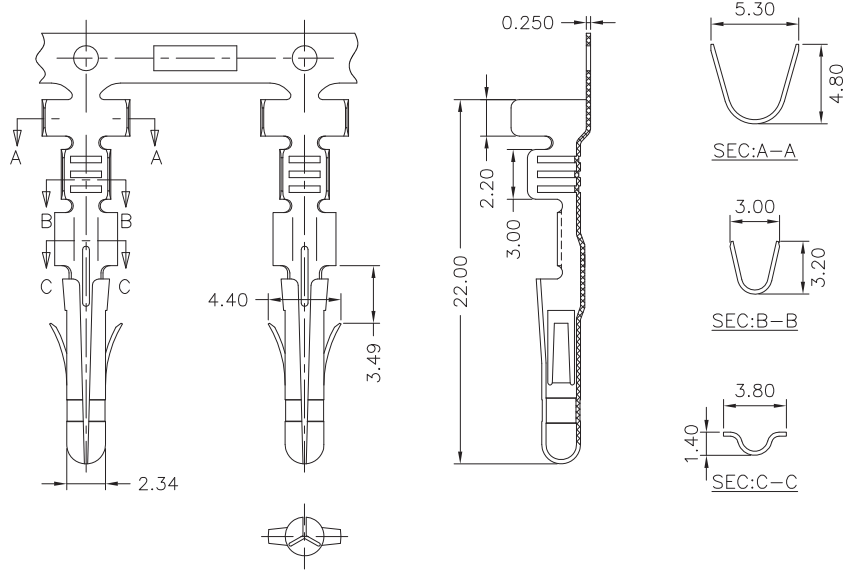
Note:E-Stamping before Tin-plated

C5030M-T

5.03mm pitch Crimp Terminal

Reference Informations:

*Used in C5030HM series Housing



Ordering Information & Specifications:

Unit:mm

Part No.	Wire Range	Insulation O.D.	Material	Finish	Qty/reel
C5030M-TBE-H	AWG#14-#20	4.10mm(max)	Brass	Tin-plated	4,000pcs

Note:E-Stamping before Tin-plated

C5030H

5.03mm pitch Crimp Terminal

Reference Informations:

*Material: Nylon 66,UL94V-2

	C5030HMA-3X05P						
	N	2	N	NP	N	00	G
	①	②	③	④	⑤	⑥	⑦
① N=Halogen Free							
② Material: 2=Nylon 66-V2							
③ Color: N=Natural(Translucent)							
④ Plating code: NP=Non-plating							
⑤ Plating code: N=Non-plating							
⑥ Option code: 00=Standard							
⑦ Packing code: G=Bag							

Ordering Information & Dimensions:

Unit:mm

C5030HM(A)	C5030HF(A)
<p><u>C5030HM-01P</u></p>	<p><u>C5030HF-01P</u></p>
<p><u>C5030HM-02P</u> <u>C5030HMA-02P(WITHOUT MOUNTING EAR)</u></p>	<p><u>C5030HF-02P</u> <u>C5030HFA-02P(WITHOUT MOUNTING EAR)</u></p>
<p><u>C5030HM-03P</u> <u>C5030HMA-03P(WITHOUT MOUNTING EAR)</u></p>	<p><u>C5030HF-03P</u> <u>C5030HFA-03P(WITHOUT MOUNTING EAR)</u></p>
<p><u>C5030HM-04P</u> <u>C5030HMA-04P(WITHOUT MOUNTING EAR)</u></p>	<p><u>C5030HF-04P</u> <u>C5030HFA-04P(WITHOUT MOUNTING EAR)</u></p>

A
B
C
F
ST
HRJ
DC

C5030H

5.03mm pitch Housing

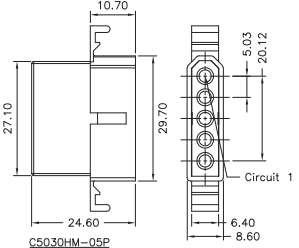
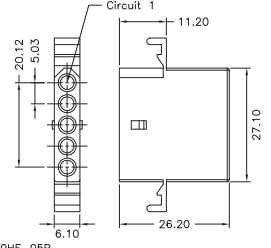
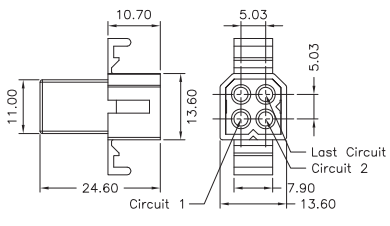
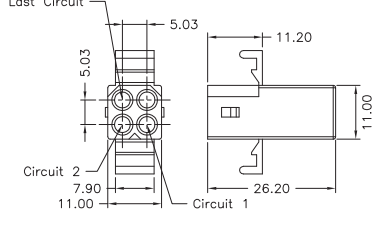
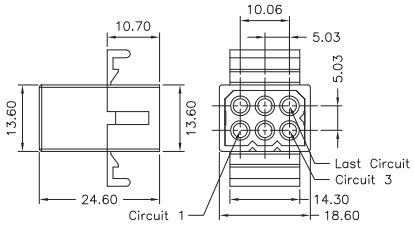
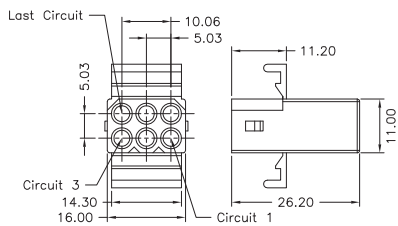
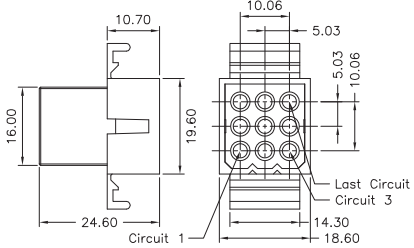
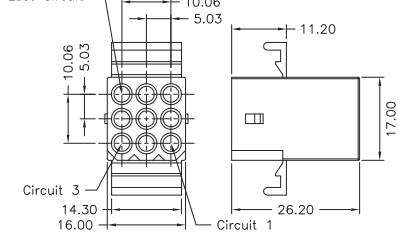
Reference Informations:

*Material: Nylon 66,UL94V-2

Ordering Information & Dimensions:

Unit:mm

A
B
C
F
ST
HRJ
DC

C5030HM(A)	C5030HF(A)
 <p>C5030HM-05P C5030HMA-05P(WITHOUT MOUNTING EAR)</p>	 <p>C5030HF-05P C5030HFA-05P(WITHOUT MOUNTING EAR)</p>
 <p>C5030HM-2X02P C5030HMA-2X02P(WITHOUT MOUNTING EAR)</p>	 <p>C5030HF-2X02P C5030HFA-2X02P(WITHOUT MOUNTING EAR)</p>
 <p>C5030HM-3X02P C5030HMA-3X02P(WITHOUT MOUNTING EAR)</p>	 <p>C5030HF-3X02P C5030HFA-3X02P(WITHOUT MOUNTING EAR)</p>
 <p>C5030HM-3X03P C5030HMA-3X03P(WITHOUT MOUNTING EAR)</p>	 <p>C5030HF-3X03P C5030HFA-3X03P(WITHOUT MOUNTING EAR)</p>



C5030H

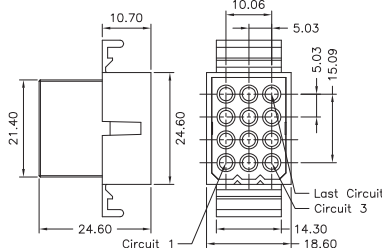
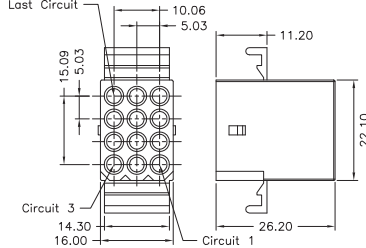
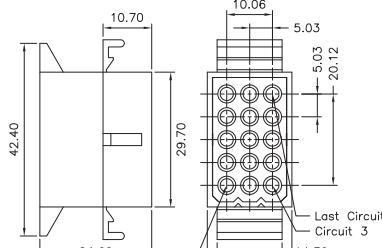
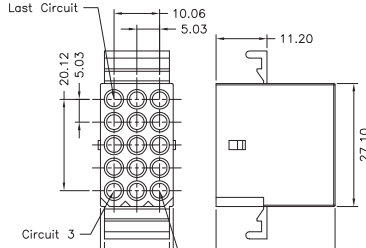
5.03mm pitch Housing

Reference Informations:

*Material: Nylon 66,UL94V-2

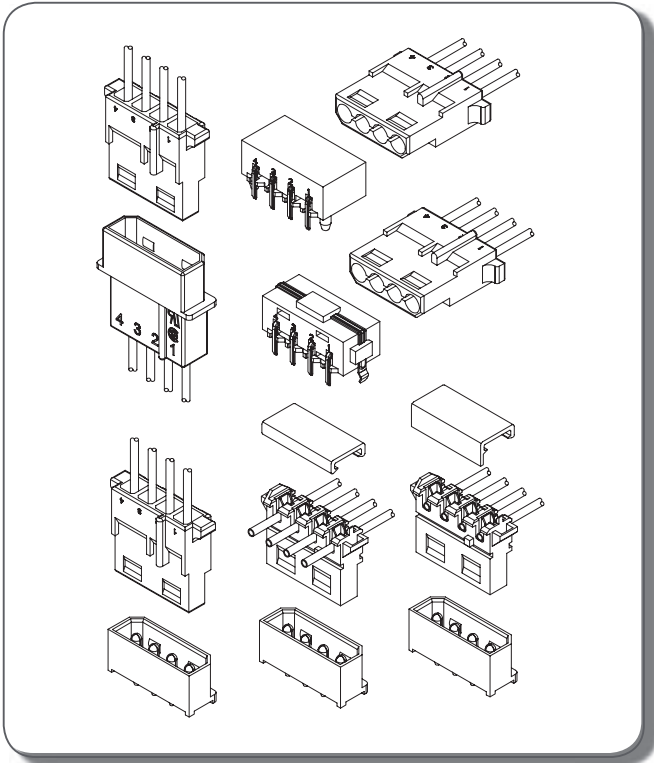
Ordering Information & Dimensions:

Unit:mm

C5030HM(A)	C5030HF(A)
 <p><u>C5030HM-3X04P</u> <u>C5030HMA-3X04P(WITHOUT MOUNTING EAR)</u></p>	 <p><u>C5030HF-3X04P</u> <u>C5030HFA-3X04P(WITHOUT MOUNTING EAR)</u></p>
 <p><u>C5030HM-3X05P</u> <u>C5030HMA-3X05P(WITHOUT MOUNTING EAR)</u></p>	 <p><u>C5030HF-3X05P</u> <u>C5030HFA-3X05P(WITHOUT MOUNTING EAR)</u></p>

A
B
C
F
ST
HRJ
DC

A
B
C
F
ST
HRJ
DC



Specifications

Current rating: 10A AC,DC
 Voltage rating: 250V AC,DC
 Temperature range: -25°C ~ +85°C
 Contact resistance: 10mΩ Max.
 Insulation resistance: 1000MΩ Min.
 Withstanding voltage: 1500V AC/minute

Standards



E179987

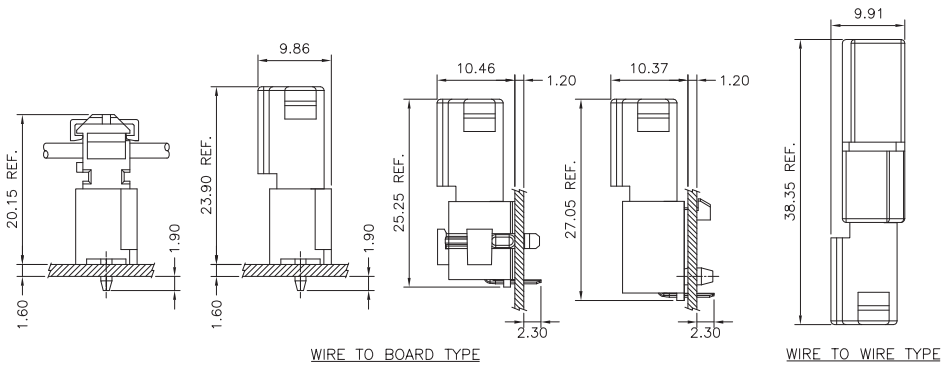


LR113464



R 3-50004394

Assembly layout



Ordering code

① C5080 ② F-T ③ B ④ E ⑤ -H

- ① Series No.
- ② Terminal type: F=Female, M=Male
- ③ Plating code: T=Tin-plated
- ④ Material: B=Brass
- ⑤ E=Stamping before plating
- ⑥ Option code: -H=For AWG#14-#20 wire

① C5080 ② HI ③ -04P ④ -18

- ① Series No.
- ② Housing type: HF=Receptacle, HM=Plug, HI=I.D.C. Connector
- ③ No. of circuits
- ④ Option code: -18=For AWG#18 wire,

① C5080 ② WR ③ -F ④ -04P ⑤ R

- ① Series No.
- ② Connector type: WV=Vertical, WR=Right angle
- ③ Blank=Normal type
-F=With Peg
- ④ No. of circuits
- ⑤ Option code:
R=Reverse type

C5080 SERIES

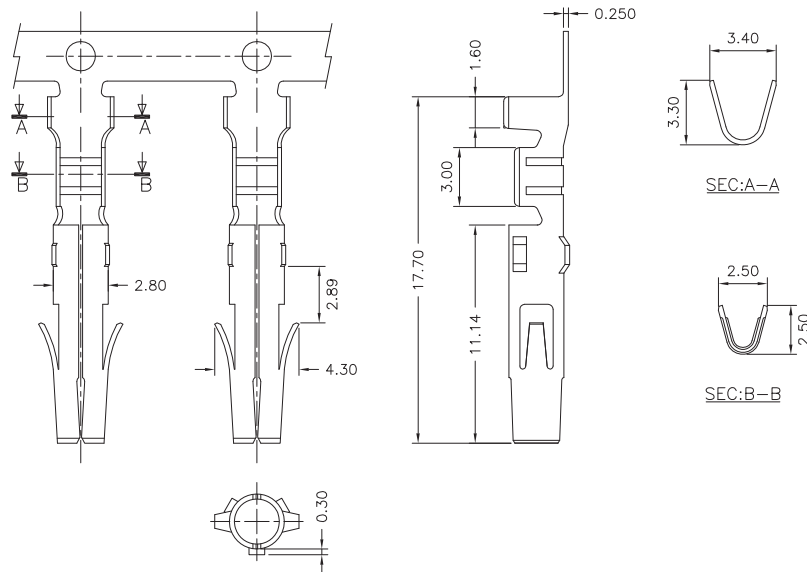
5.08mm pitch wire to wire and wire to board connector

C5080F-T

5.08mm pitch Crimp Terminal

Reference Informations:

*Used in C5080HF series Housing



A
B
C
F
ST
HRJ
DC

Ordering Information & Specifications:

Unit:mm

Part No.	Wire Range	Insulation O.D.	Material	Finish	Qty/reel
C5080F-TBE	AWG#18-#24	2.50mm(max)	Brass	Tin-plated	7,000pcs

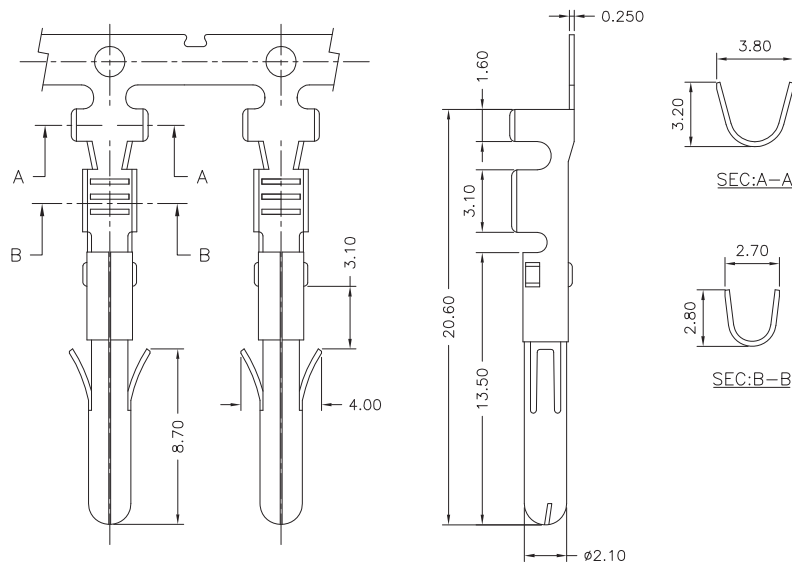
Note:E-Stamping before Tin-plated

C5080M-T

5.08mm pitch Crimp Terminal

Reference Informations:

*Used in C5080HM series Housing



Ordering Information & Specifications:

Unit:mm

Part No.	Wire Range	Insulation O.D.	Material	Finish	Qty/reel
C5080M-TBE	AWG#18-#24	2.50mm(max)	Brass	Tin-plated	7,000pcs

Note:E-Stamping before Tin-plated

C5080 SERIES

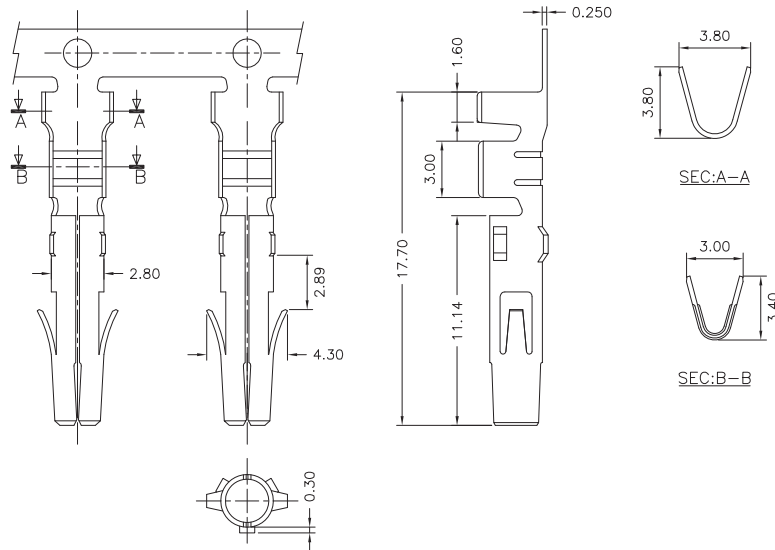
5.08mm pitch wire to wire and wire to board connector

C5080F-T

5.08mm pitch Crimp Terminal

Reference Informations:

*Used in C5080HF series Housing



Ordering Information & Specifications:

Unit:mm

Part No.	Wire Range	Insulation O.D.	Material	Finish	Qty/reel
C5080F-TBE-H	AWG#14-#20	3.30mm(max)	Brass	Tin-plated	7,000pcs

Note:E-Stamping before Tin-plated

C5080HF-04P

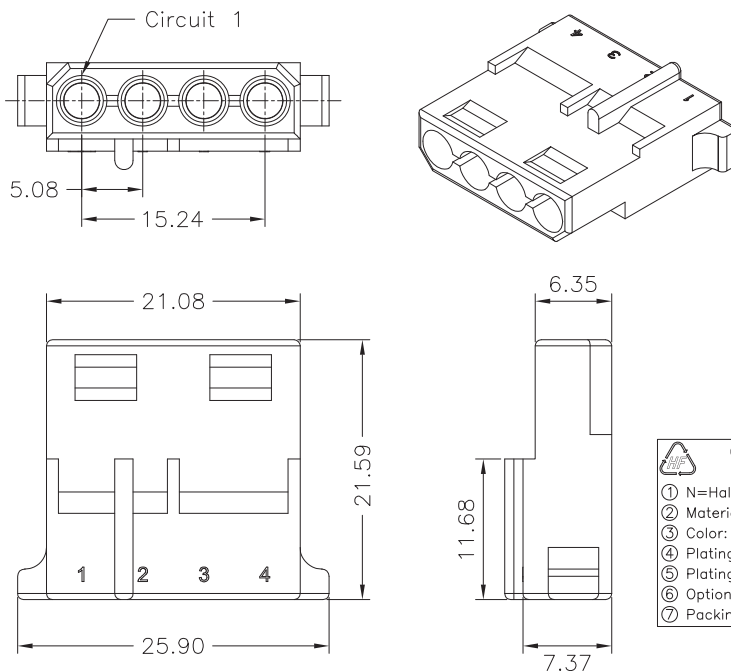
5.08mm pitch Housing

Reference Informations:

*Material: Nylon 66,UL94V-2

*Suitable C5080F series Terminal

*Mates with C5080HM series Housing or C5080 series Wafer



C5080HF-04P		N	2	N	NP	N	00	G
		①	②	③	④	⑤	⑥	⑦
①	N=Halogen Free							
②	Material: 2=Nylon 66-V2, 0=Nylon 66-V0							
③	Color: N=Natural(Translucent), W=White							
④	Plating code: NP=Non-plating							
⑤	Plating code: N=Non-plating							
⑥	Option code: 00=Standard							
⑦	Packing code: G=Bag							

C5080 SERIES

5.08mm pitch wire to wire and wire to board connector

C5080HM-04P

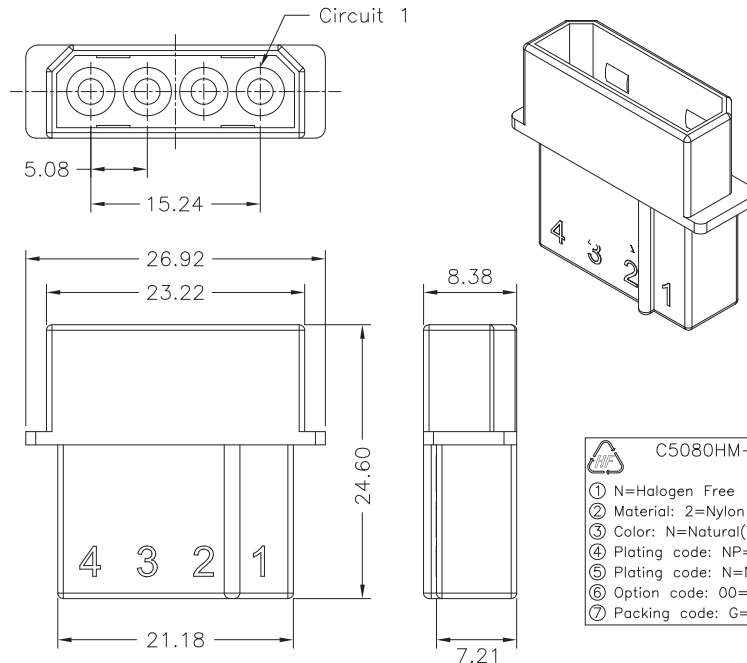
5.08mm pitch Housing

Reference Informations:

*Material: Nylon 66,UL94V-2

*Suitable C5080M series Terminal

*Mates with C5080HF series Housing or C5080HI series I.D.C. Connector



	C5080HM-04P	N	2	N	NP	N	00	G
		①	②	③	④	⑤	⑥	⑦
①	N=Halogen Free							
②	Material: 2=Nylon 66-V2, 0=Nylon 66-V0							
③	Color: N=Natural(Translucent), W=White							
④	Plating code: NP=Non-plating							
⑤	Plating code: N=Non-plating							
⑥	Option code: 00=Standard							
⑦	Packing code: G=Bag							

A
B
C
F
ST
HRJ
DC

C5080HI-04P

5.08mm pitch Insulation Displacement Connector

Reference Informations:

*Material: Terminal: Phosphor Bronze/Tin-plated

Housing: Nylon 66,UL94V-2

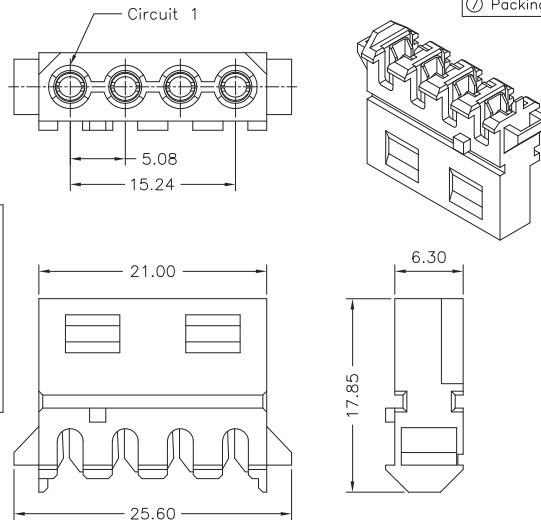
Cap: Nylon 66,UL94V-2

*Mates with C5080HM series Housing or C5080 series Wafer

Ordering Information:

C5080HI-04P-*

1. Part No.
2. AWG of Wire:
16-AWG#16
18-AWG#18
20-AWG#20
22-AWG#22



	C5080HI-04P	N	2	N	T1	N	18	G
		①	②	③	④	⑤	⑥	⑦
①	N=Halogen Free							
②	Material: 2=Nylon 66-V2							
③	Color: N=Natural(Translucent)							
④	Plating code: T1=Tin-plated							
⑤	Plating code: N=Non-plating							
⑥	Option code: 16=AWG#16, 18=AWG#18, 20=AWG#20, 22=AWG#22							
⑦	Packing code: G=Bag							

	C5080HI-04P	N	2	N	NP	N	C0	G
		①	②	③	④	⑤	⑥	⑦
①	N=Halogen Free							
②	Material: 2=Nylon 66-V2							
③	Color: N=Natural(Translucent)							
④	Plating code: NP=Non-plating							
⑤	Plating code: N=Non-plating							
⑥	Option code: C0=Through type, CA=End type							
⑦	Packing code: G=Bag							

C5080 SERIES

5.08mm pitch wire to wire and wire to board connector

C5080WV-04P

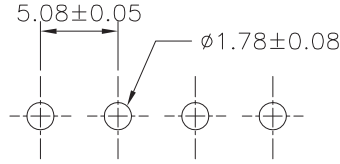
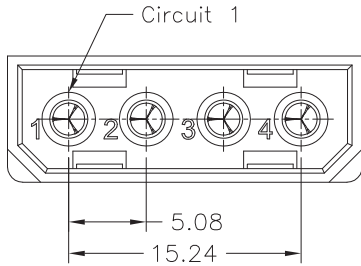
5.08mm pitch 180° Wafer

Reference Informations:

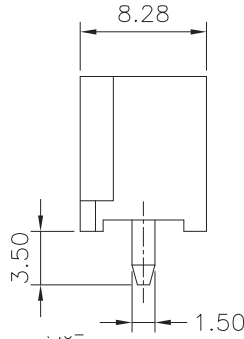
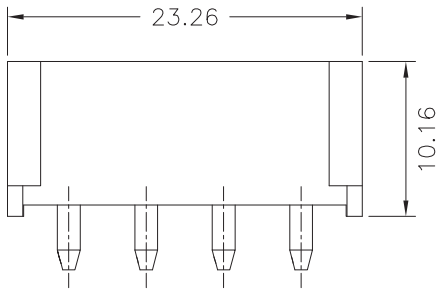
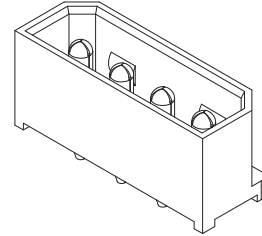
*Material: Pin: Brass/Tin-plated

Wafer: Nylon 66,UL94V-2

*Mates with C5080HF series Housing or C5080HI series I.D.C. Connector



P.C.B. LAYOUT



	C5080WV-04P						
	N	2	N	T1	N	00	B
①	②	③	④	⑤	⑥	⑦	

① N=Halogen Free
② Material: 2=Nylon 66-V2
③ Color: N=Natural(Translucent)
④ Plating code: T1=Tin-plated
⑤ Plating code: N=Non-plating
⑥ Option code: 00=Standard
⑦ Packing code: B=Tray

C5080WR-F-04P

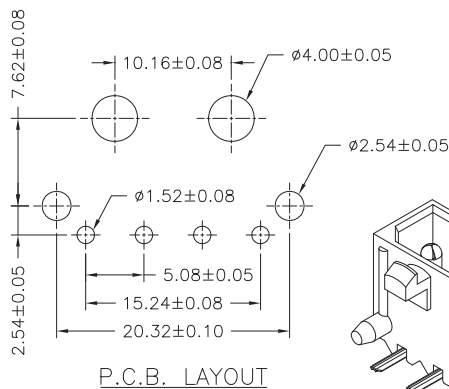
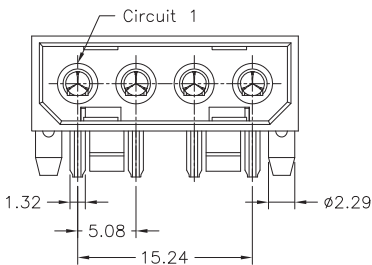
5.08mm pitch 90° Wafer With Peg

Reference Informations:

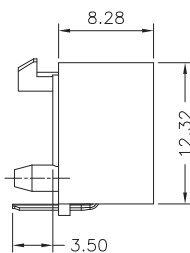
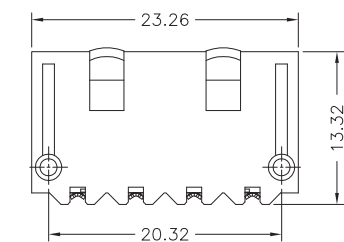
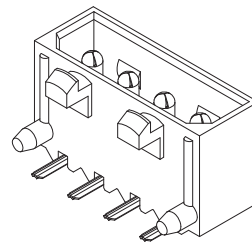
*Material: Pin: Brass/Tin-plated

Wafer: Nylon 66,UL94V-2

*Mates with C5080HF series Housing or C5080HI series I.D.C. Connector



P.C.B. LAYOUT



	C5080WR-F-04P						
	N	2	N	T1	N	00	B
①	②	③	④	⑤	⑥	⑦	

① N=Halogen Free
② Material: 2=Nylon 66-V2
③ Color: N=Natural(Translucent)
④ Plating code: T1=Tin-plated
⑤ Plating code: N=Non-plating
⑥ Option code: 00=Standard
⑦ Packing code: B=Tray

C5080 SERIES

5.08mm pitch wire to wire and wire to board connecto

C5080WR-04P

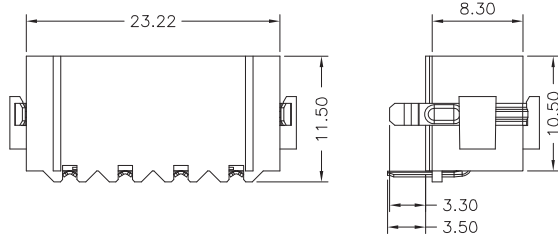
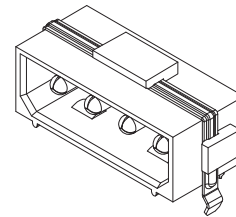
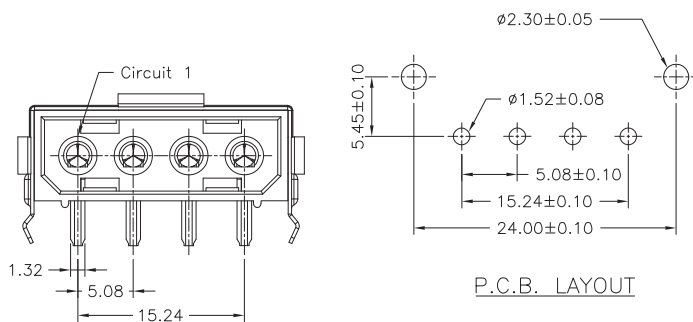
5.08mm pitch 90° Wafer

Reference Informations:

*Material: Pin: Brass/Tin-plated
Metal Band: Brass/Tin-plated
Wafer: Nylon 6T,UL94V-0

*Mates with C5080HF series Housing or C5080HI series I.D.C. Connector

	C5080WR-04P	N	6	B	T1	T	00	B
		①	②	③	④	⑤	⑥	⑦
①	N=Halogen Free							
②	Material: 6=Nylon 6T							
③	Color: B=Black							
④	Plating code: T1=Tin-plated							
⑤	Plating code: T=Tin-plated							
⑥	Option code: 00=Standard							
⑦	Packing code: B=Tray							



A
B
C
F
ST
HRJ
DC

C5080WR-04PR

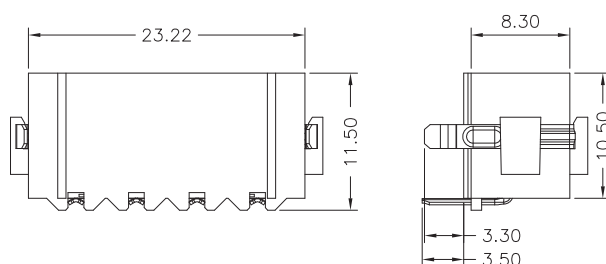
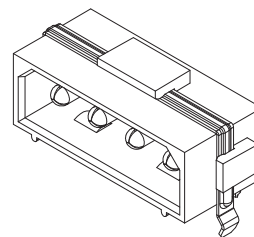
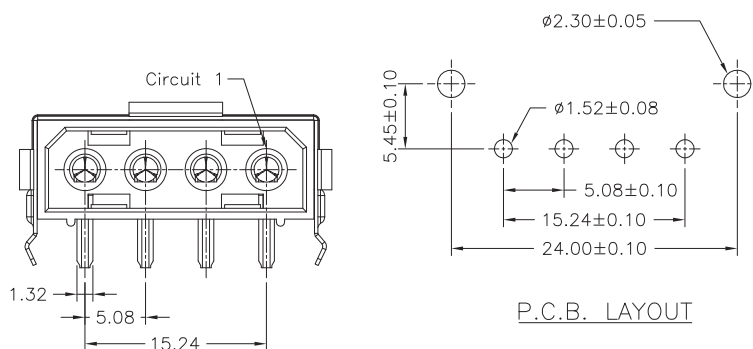
5.08mm pitch 90° Wafer - Reverse Type

Reference Informations:

*Material: Pin: Brass/Tin-plated
Metal Band: Brass/Tin-plated
Wafer: Nylon 6T,UL94V-0

*Mates with C5080HF series Housing or C5080HI series I.D.C. Connector

	C5080WR-04P	N	6	B	T1	T	R0	B
		①	②	③	④	⑤	⑥	⑦
①	N=Halogen Free							
②	Material: 6=Nylon 6T							
③	Color: B=Black							
④	Plating code: T1=Tin-plated							
⑤	Plating code: T=Tin-plated							
⑥	Option code: R0=Reverse type							
⑦	Packing code: B=Tray							



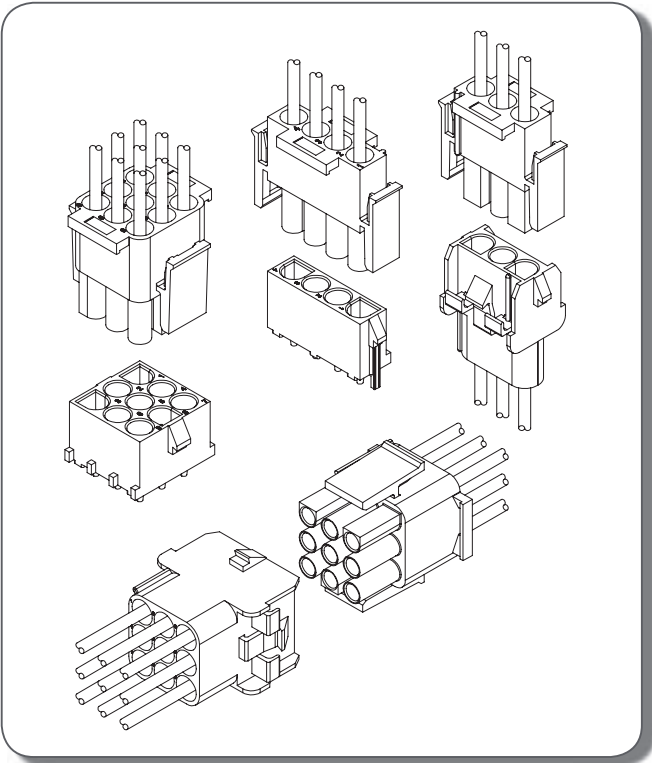
C6350 SERIES

6.35mm pitch wire to wire and wire to board connector

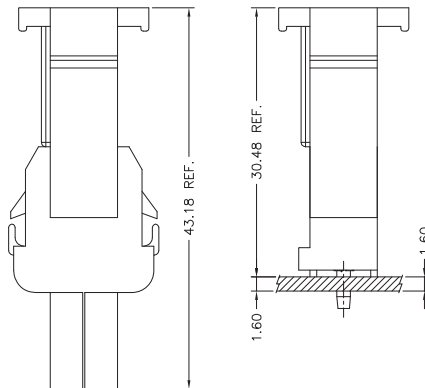
Specifications

Current rating: 15A AC,DC
 Voltage rating: 600V AC,DC
 Temperature range: -25°C ~ +85°C
 Contact resistance: 3.5mΩ Max.
 Insulation resistance: 1000MΩ Min.
 Withstanding voltage: 5000V AC/minute

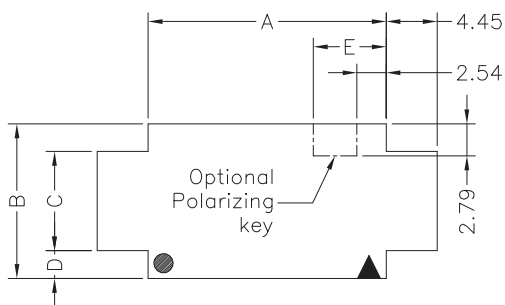
A
B
C
F
ST
HRJ
DC



Assembly layout



Panel hole layout



PART NO.	Dimensions				
	A	B	C	D	E
C6350HM-02P	14.35	13.46	8.64	2.41	6.35
C6350HM-03P	20.70	13.46	8.64	2.41	6.35
C6350HM-04P	27.05	13.46	8.64	2.41	6.35
C6350HM-05P	33.40	13.46	8.64	2.41	6.35
C6350HM-06P	39.75	13.46	8.64	2.41	6.35
C6350HM-08P	52.45	13.46	8.64	2.41	6.35
C6350HM-3X02P	14.35	26.16	12.19	6.99	6.35
C6350HM-3X03P	20.70	26.16	12.19	6.99	6.35
C6350HM-3X04P	27.05	26.16	12.19	6.99	8.89
C6350HM-3X05P	33.40	26.16	12.19	6.99	8.89

Unit:mm

Ordering code

① ② ③ ④ ⑤
C6350 F-T B E

- ① Series No.
- ② Terminal type: F=Female, M=Male
- ③ Plating code: T=Tin-plated
- ④ Material: B=Brass
- ⑤ E=Stamping before plating

① ② ③ ④ ⑤
C6350 HF-3X 05P -V2

- ① Series No.
- ② Housing type: HF=Receptacle
HM=Plug
- ③ Blank=Single row, 3X=Triple row
- ④ No. of circuits
- ⑤ Option code:
-V0=UL94V-0
-V2=UL94V-2

① ② ③ ④ ⑤ ⑥
C6350 WV -F-3X 05P MV2

- ① Series No.
- ② Connector type: WV=Vertical
- ③ Blank=Normal type
-F=With boss
- ④ Blank=Single row, 3X=Triple row
- ⑤ No. of circuits
- ⑥ Option code:
MV0=UL94V-0, Male type
MV2=UL94V-2, Male type
FV0=UL94V-0, Female type
FV2=UL94V-2, Female type

A

B

C

F

ST

HRJ

DC

C6350 SERIES

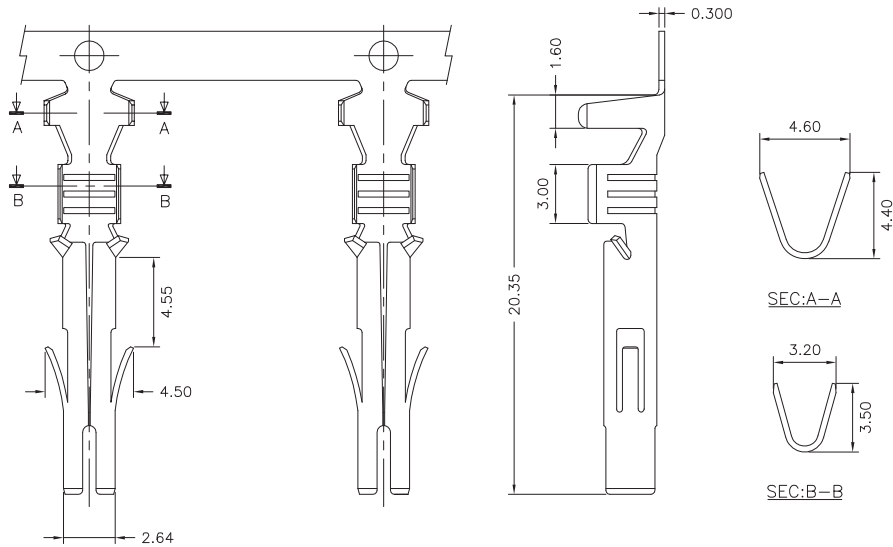
6.35mm pitch wire to wire and wire to board connector

C6350F-T

6.35mm pitch Crimp Terminal

Reference Informations:

*Used in C6350HF or C6350HM series Housing



Ordering Information & Specifications:

Unit:mm

Part No.	Wire Range	Insulation O.D.	Material	Finish	Qty/reel
C6350F-TBE	AWG#14-#20	3.30mm(max)	Brass	Tin-plated	4,000pcs

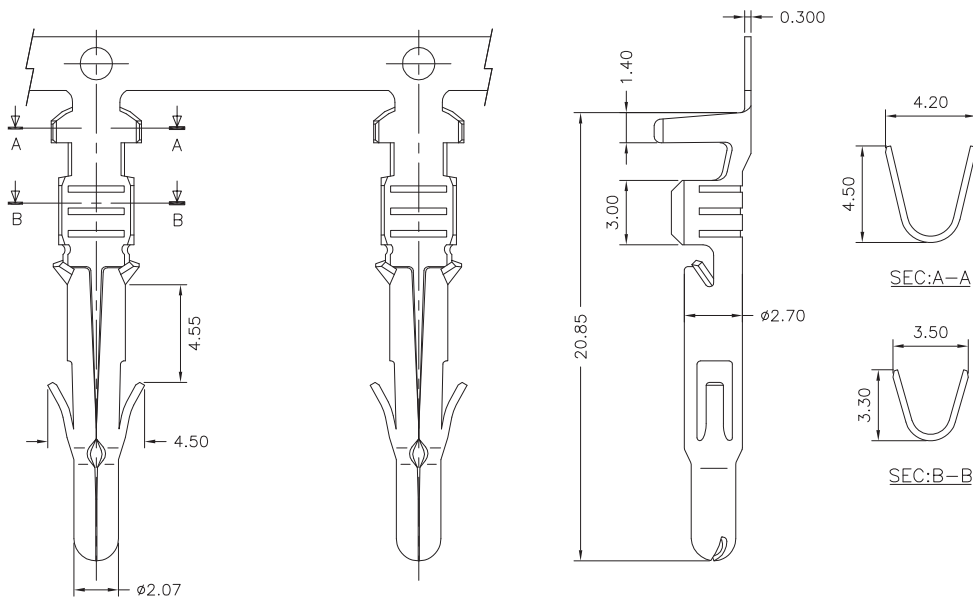
Note:E-Stamping before Tin-plated

C6350M-T

6.35mm pitch Crimp Terminal

Reference Informations:

*Used in C6350HF or C6350HM series Housing



Ordering Information & Specifications:

Unit:mm

Part No.	Wire Range	Insulation O.D.	Material	Finish	Qty/reel
C6350M-TBE	AWG#14-#20	3.30mm(max)	Brass	Tin-plated	4,000pcs

Note:E-Stamping before Tin-plated

C6350 SERIES

6.35mm pitch wire to wire and wire to board connector

C6350HF

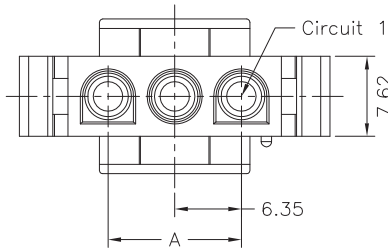
6.35mm pitch Single Row Housing

Reference Informations:

- *Material: Nylon 66,UL94V-0 or UL94V-2
- *Suitable C6350F or C6350M series Terminal
- *Mates with C6350HM series single row Housing or C6350 series single row Wafer

	C6350HF-05P	N	0	W	NP	N	00	G
		①	②	③	④	⑤	⑥	⑦

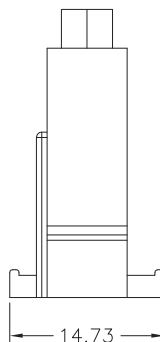
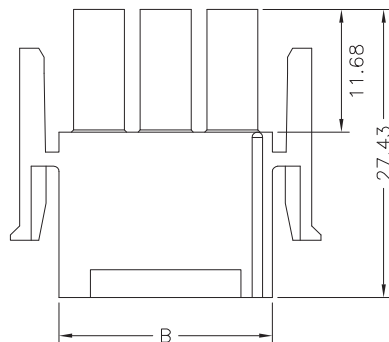
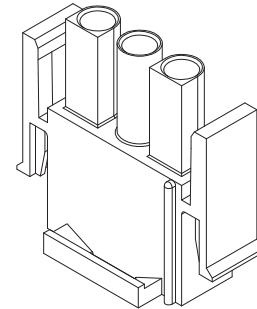
① N=Halogen Free
② Material: 0=Nylon 66-V0, 2=Nylon 66-V2
③ Color: W=White, N=Natural(Translucent)
④ Plating code: NP=Non-plating
⑤ Plating code: N=Non-plating
⑥ Option code: 00=Standard
⑦ Packing code: G=Bag



Ordering Information:

C6350HF-XP-*

1. Part No.
2. Material:
V0-UL94V-0
V2-UL94V-2



Ordering Information & Dimensions:

PART NO.	Dimensions	
	A	B
C6350HF-02P	6.35	13.97
C6350HF-03P	12.70	20.32
C6350HF-04P	19.05	26.67
C6350HF-05P	25.40	33.02
C6350HF-06P	31.75	39.37
C6350HF-08P	44.45	52.07

Unit:mm

C6350HM

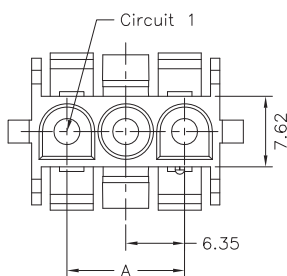
6.35mm pitch Single Row Housing

Reference Informations:

- *Material: Nylon 66,UL94V-0 or UL94V-2
- *Suitable C6350M or C6350F series Terminal
- *Mates with C6350HF series single row Housing

	C6350HM-05P	N	0	W	NP	N	00	G
		①	②	③	④	⑤	⑥	⑦

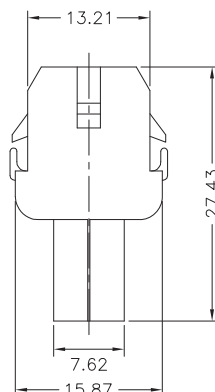
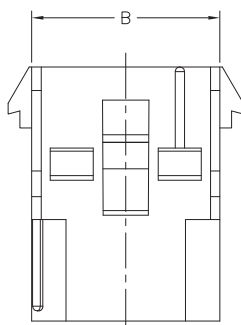
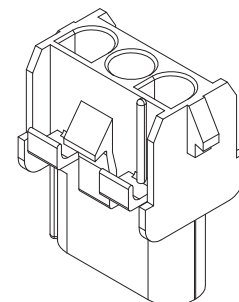
① N=Halogen Free
② Material: 0=Nylon 66-V0, 2=Nylon 66-V2
③ Color: W=White, N=Natural(Translucent)
④ Plating code: NP=Non-plating
⑤ Plating code: N=Non-plating
⑥ Option code: 00=Standard
⑦ Packing code: G=Bag



Ordering Information:

C6350HM-XP-*

1. Part No.
2. Material:
V0-UL94V-0
V2-UL94V-2



Ordering Information & Dimensions:

PART NO.	Dimensions	
	A	B
C6350HM-02P	6.35	13.97
C6350HM-03P	12.70	20.32
C6350HM-04P	19.05	26.67
C6350HM-05P	25.40	33.02
C6350HM-06P	31.75	39.37
C6350HM-08P	44.45	52.07

Unit:mm

A
B
C
F
ST
HRJ
DC

C6350 SERIES

6.35mm pitch wire to wire and wire to board connector

C6350HF-3

6.35mm pitch Triple Row Housing

Reference Informations:

- *Material: Nylon 66, UL94V-0 or UL94V-2
- *Suitable C6350F or C6350M series Terminal
- *Mates with C6350HM series triple row Housing or C6350 series triple row Wafer

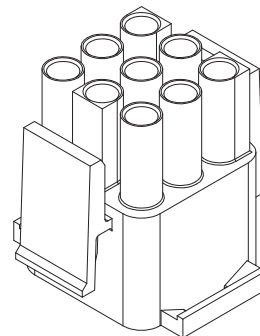
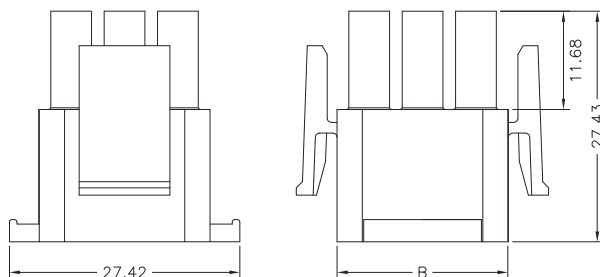
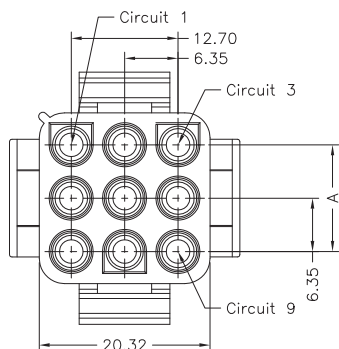
	C6350HF-3X05P						
	N	Q	W	NP	N	00	G
	①	②	③	④	⑤	⑥	⑦

① N=Halogen Free
② Material: 0=Nylon 66-V0, 2=Nylon 66-V2
③ Color: W=White, N=Natural(Translucent)
④ Plating code: NP=Non-plating
⑤ Plating code: N=Non-plating
⑥ Option code: 00=Standard
⑦ Packing code: G=Bag

Ordering Information:

C6350HF-3XNP-*

1. Part No.
2. Material:
V0-UL94V-0
V2-UL94V-2



Ordering Information & Dimensions:

PART NO.	Dimensions	
	A	B
C6350HF-3X02P	6.35	13.97
C6350HF-3X03P	12.70	20.32
C6350HF-3X04P	19.05	26.67
C6350HF-3X05P	25.40	33.02

Unit:mm

C6350HM-3

6.35mm pitch Triple Row Housing

Reference Informations:

- *Material: Nylon 66, UL94V-0 or UL94V-2
- *Suitable C6350M or C6350F series Terminal
- *Mates with C6350HF series triple row Housing

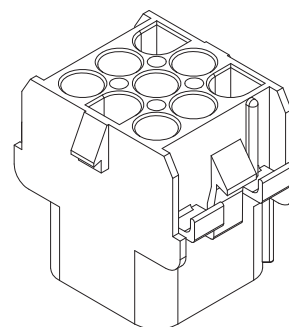
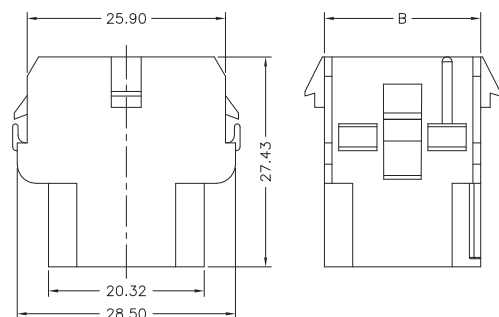
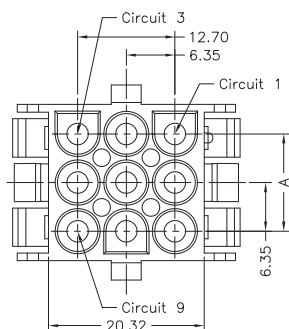
	C6350HM-3X05P						
	N	Q	W	NP	N	00	G
	①	②	③	④	⑤	⑥	⑦

① N=Halogen Free
② Material: 0=Nylon 66-V0, 2=Nylon 66-V2
③ Color: W=White, N=Natural(Translucent)
④ Plating code: NP=Non-plating
⑤ Plating code: N=Non-plating
⑥ Option code: 00=Standard
⑦ Packing code: G=Bag

Ordering Information:

C6350HM-3XNP-*

1. Part No.
2. Material:
V0-UL94V-0
V2-UL94V-2



Ordering Information & Dimensions:

PART NO.	Dimensions	
	A	B
C6350HM-3X02P	6.35	14.05
C6350HM-3X03P	12.70	20.40
C6350HM-3X04P	19.05	26.75
C6350HM-3X05P	25.40	33.10

Unit:mm

C6350 SERIES

6.35mm pitch wire to wire and wire to board connector

C6350WV

6.35mm pitch 180° Single Row Wafer - Male Type

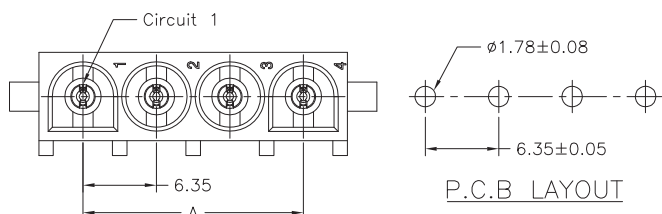
Reference Informations:

*Material: Pin: Brass/Tin-plated
Wafer: Nylon 66,UL94V-0 or UL94V-2

*Mates with C6350HF series
single row Housing

	C6350WV-05P	N	0	W	T1	N	M0	G
		①	②	③	④	⑤	⑥	⑦

① N=Halogen Free
② Material: 0=Nylon 66-V0, 2=Nylon 66-V2
③ Color: W=White, N=Natural(Translucent)
④ Plating code: T1=Tin-plated
⑤ Plating code: N=Non-plating
⑥ Option code: M0=Male pin
⑦ Packing code: G=Bag



Ordering Information:

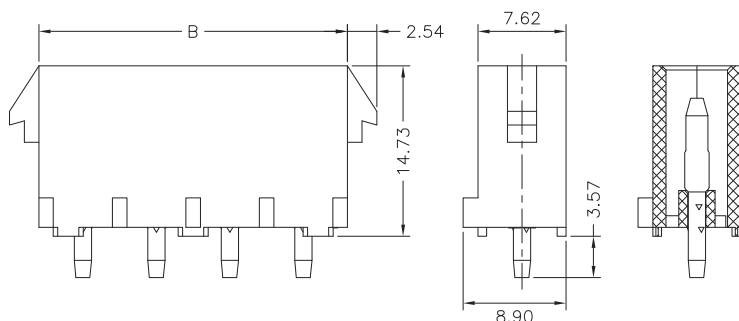
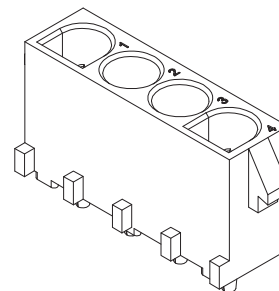
C6350WV-XPM *

1

2. Part No.

V0-UL94V-0

V2-UL94V-2



Ordering Information & Dimensions:

PART NO.	Dimensions	
	A	B
C6350WV-02PM	6.35	13.97
C6350WV-03PM	12.70	20.32
C6350WV-04PM	19.05	26.67
C6350WV-05PM	25.40	33.02
C6350WV-06PM	31.75	39.37
C6350WV-08PM	44.45	52.07

Unit:mm

C6350WV-F

6.35mm pitch 180° Single Row Wafer With Polarizing Peg - Male Type

Reference Informations:

*Material: Pin: Brass/Tin-plated
Wafer: Nylon 66,UL94V-0 or UL94V-2

*Mates with C6350HF series
single row Housing

	C6350WV-F-05P	N	0	W	T1	N	M0	G
		①	②	③	④	⑤	⑥	⑦

① N=Halogen Free
② Material: 0=Nylon 66-V0, 2=Nylon 66-V2
③ Color: W=White, N=Natural(Translucent)
④ Plating code: T1=Tin-plated
⑤ Plating code: N=Non-plating
⑥ Option code: M0=Male pin
⑦ Packing code: G=Bag

Ordering Information:

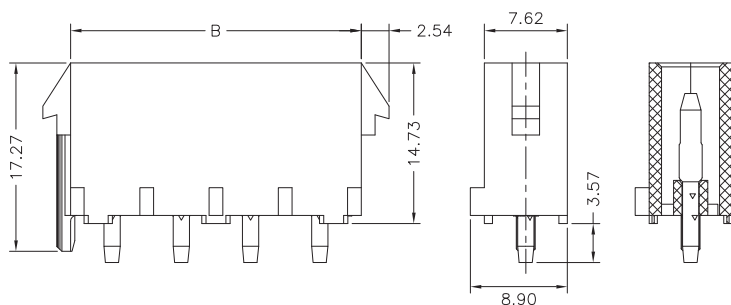
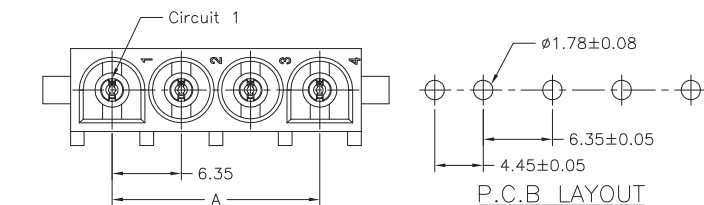
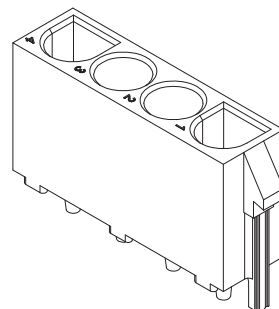
C6350WV-F-XPM *

1

2. Part No.

V0-UL94V-0

V2-UL94V-2



Ordering Information & Dimensions:

PART NO.	Dimensions	
	A	B
C6350WV-F-02PM	6.35	13.97
C6350WV-F-03PM	12.70	20.32
C6350WV-F-04PM	19.05	26.67
C6350WV-F-05PM	25.40	33.02
C6350WV-F-06PM	31.75	39.37
C6350WV-F-08PM	44.45	52.07

Unit:mm

A
B
C
F
ST
HRJ
DC

C6350 SERIES

6.35mm pitch wire to wire and wire to board connector

C6350WV-3

6.35mm pitch 180° Triple Row Wafer - Male Type

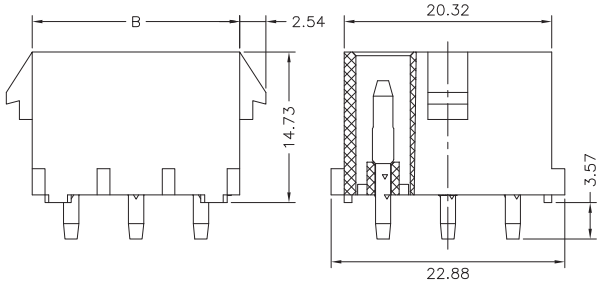
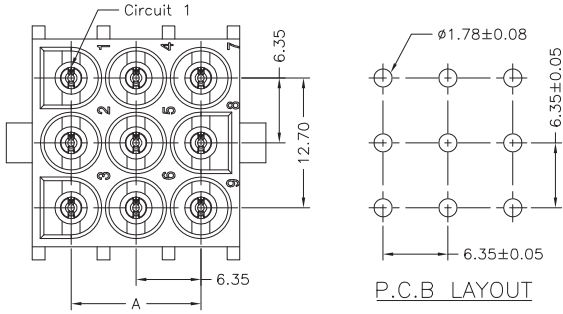
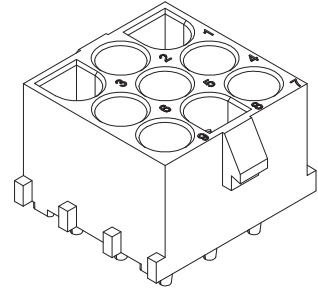
Reference Informations:

- *Material: Pin: Brass/Tin-plated
Wafer: Nylon 66, UL94V-0 or UL94V-2
- *Mates with C6350HF series triple row Housing

	C6350WV-3X05P N 0 W T1 N M0 G						
	①	②	③	④	⑤	⑥	⑦
① N=Halogen Free							
② Material: 0=Nylon 66-V0, 2=Nylon 66-V2							
③ Color: W=White, N=Natural(Translucent)							
④ Plating code: T1=Tin-plated							
⑤ Plating code: N=Non-plating							
⑥ Option code: M0=Male pin							
⑦ Packing code: G=Bag							

Ordering Information: C6350WV-3XNPM *

1. Part No.
2. Material:
V0-UL94V-0
V2-UL94V-2



Ordering Information & Dimensions:

PART NO.	Dimensions	
	A	B
C6350WV-3X02PM	6.35	13.97
C6350WV-3X03PM	12.70	20.32
C6350WV-3X04PM	19.05	26.67
C6350WV-3X05PM	25.40	33.02

Unit:mm

C6350WV-F-3

6.35mm pitch 180° Triple Row Wafer With Polarizing Peg - Male Type

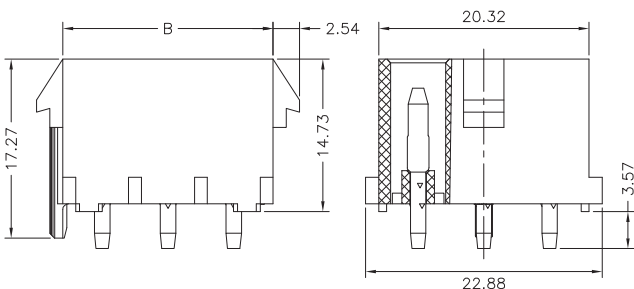
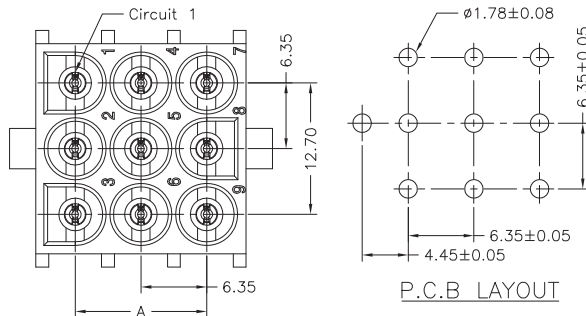
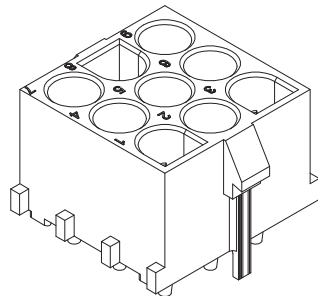
Reference Informations:

- *Material: Pin: Brass/Tin-plated
Wafer: Nylon 66, UL94V-0 or UL94V-2
- *Mates with C6350HF series triple row Housing

	C6350WV-F-3X05P N 0 W T1 N M0 G						
	①	②	③	④	⑤	⑥	⑦
① N=Halogen Free							
② Material: 0=Nylon 66-V0, 2=Nylon 66-V2							
③ Color: W=White, N=Natural(Translucent)							
④ Plating code: T1=Tin-plated							
⑤ Plating code: N=Non-plating							
⑥ Option code: M0=Male pin							
⑦ Packing code: G=Bag							

Ordering Information: C6350WV-F-3XNPM *

1. Part No.
2. Material:
V0-UL94V-0
V2-UL94V-2



Ordering Information & Dimensions:

PART NO.	Dimensions	
	A	B
C6350WV-F-3X02PM	6.35	13.97
C6350WV-F-3X03PM	12.70	20.32
C6350WV-F-3X04PM	19.05	26.67
C6350WV-F-3X05PM	25.40	33.02

Unit:mm

C6350 SERIES

6.35mm pitch wire to wire and wire to board connector

C6350WV

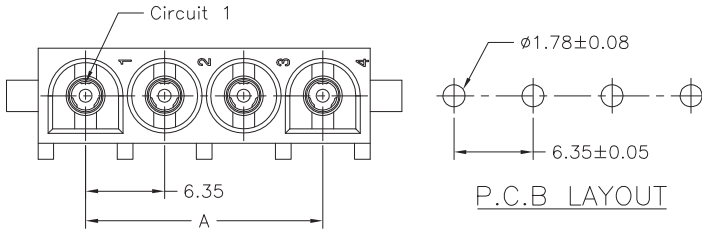
6.35mm pitch 180° Single Row Wafer - Female Type

Reference Informations:

- *Material: Pin: Brass/Tin-plated
Wafer: Nylon 66, UL94V-0 or UL94V-2
- *Mates with C6350HF series single row Housing

	C6350WV-05P	N	0	W	T1	N	F0	G
		①	②	③	④	⑤	⑥	⑦

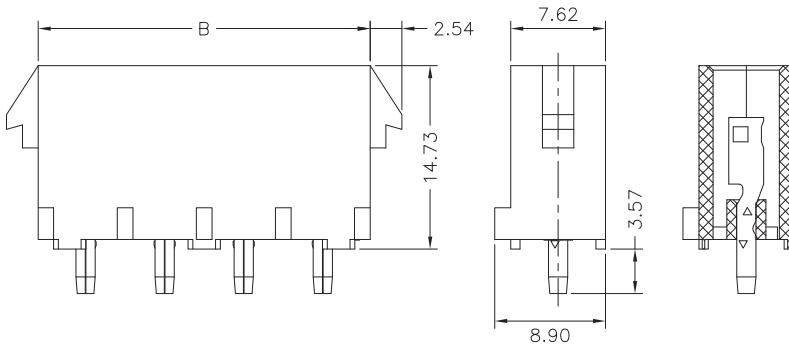
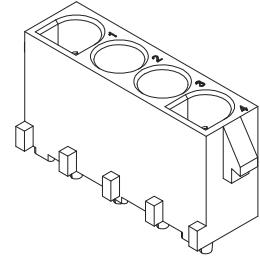
① N=Halogen Free
② Material: 0=Nylon 66-V0, 2=Nylon 66-V2
③ Color: W=White, N=Natural(Translucent)
④ Plating code: T1=Tin-plated
⑤ Plating code: N=Non-plating
⑥ Option code: F0=Female pin
⑦ Packing code: G=Bag



Ordering Information:

C6350WV-XPF *

1. Part No. _____
2. Material: V0-UL94V-0
V2-UL94V-2



Ordering Information & Dimensions:

PART NO.	Dimensions	
	A	B
C6350WV-02PF	6.35	13.97
C6350WV-03PF	12.70	20.32
C6350WV-04PF	19.05	26.67
C6350WV-05PF	25.40	33.02
C6350WV-06PF	31.75	39.37
C6350WV-08PF	44.45	52.07

Unit:mm

C6350WV-F

6.35mm pitch 180° Single Row Wafer With Polarizing Peg - Female Type

Reference Informations:

- Material: Pin: Brass/Tin-plated
Wafer: Nylon 66, UL94V-0 or UL94V-2
- *Mates with C6350HF series single row Housing

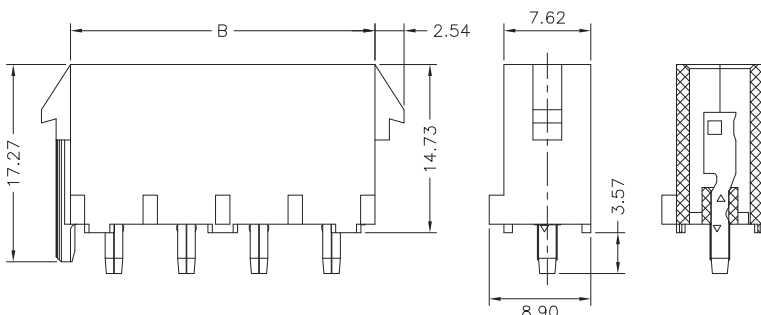
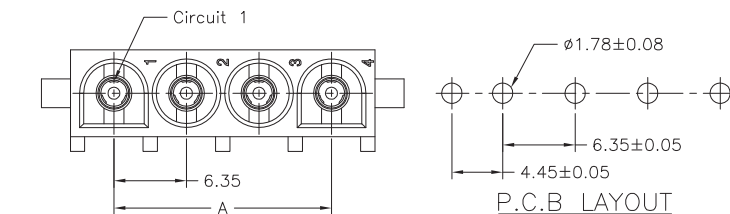
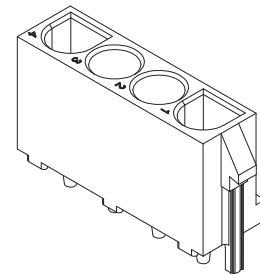
	C6350WV-F-05P	N	0	W	T1	N	F0	G
		①	②	③	④	⑤	⑥	⑦

① N=Halogen Free
② Material: 0=Nylon 66-V0, 2=Nylon 66-V2
③ Color: W=White, N=Natural(Translucent)
④ Plating code: T1=Tin-plated
⑤ Plating code: N=Non-plating
⑥ Option code: F0=Female pin
⑦ Packing code: G=Bag

Ordering Information:

C6350WV-F-XPF *

1. Part No. _____
2. Material: V0-UL94V-0
V2-UL94V-2



Ordering Information & Dimensions:

PART NO.	Dimensions	
	A	B
C6350WV-F-02PF	6.35	13.97
C6350WV-F-03PF	12.70	20.32
C6350WV-F-04PF	19.05	26.67
C6350WV-F-05PF	25.40	33.02
C6350WV-F-06PF	31.75	39.37
C6350WV-F-08PF	44.45	52.07

Unit:mm

A
B
C
F
ST
HRJ
DC

C6350 SERIES

6.35mm pitch wire to wire and wire to board connector

C6350WV-3

6.35mm pitch 180° Triple Row Wafer - Female Type

Reference Informations:

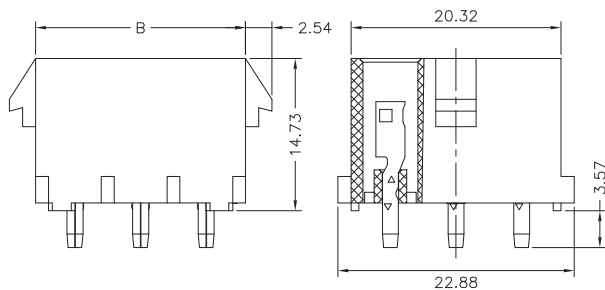
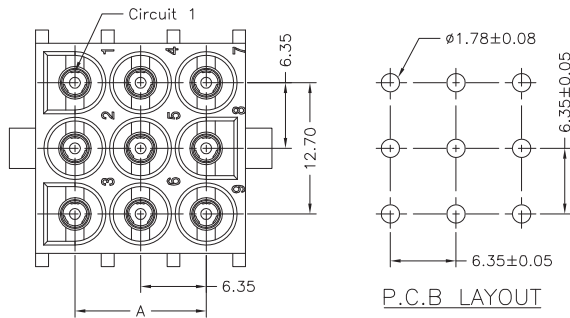
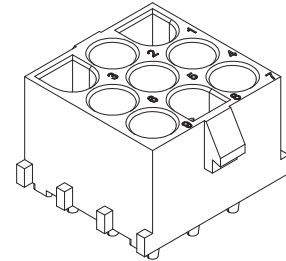
- *Material: Pin: Brass/Tin-plated
Wafer: Nylon 66, UL94V-0 or UL94V-2
- *Mates with C6350HF series triple row Housing

	C6350WV-3X05P						
	N	0	W	T1	N	F0	G
①	②	③	④	⑤	⑥	⑦	
① N=Halogen Free							
② Material: 0=Nylon 66-V0, 2=Nylon 66-V2							
③ Color: W=White, N=Natural(Translucent)							
④ Plating code: T1=Tin-plated							
⑤ Plating code: N=Non-plating							
⑥ Option code: F0=Female pin							
⑦ Packing code: G=Bag							

Ordering Information:

C6350WV-3XNPF *

1. Part No.
2. Material:
V0-UL94V-0
V2-UL94V-2



Ordering Information & Dimensions:

PART NO.	Dimensions	
	A	B
C6350WV-3X02PF	6.35	13.97
C6350WV-3X03PF	12.70	20.32
C6350WV-3X04PF	19.05	26.67
C6350WV-3X05PF	25.40	33.02

Unit:mm

C6350WV-F-3

6.35mm pitch 180° Triple Row Wafer With Polarizing Peg - Female Type

Reference Informations:

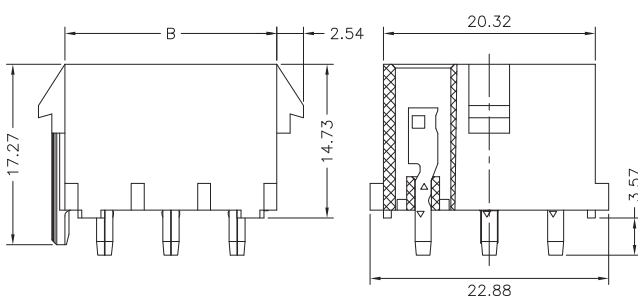
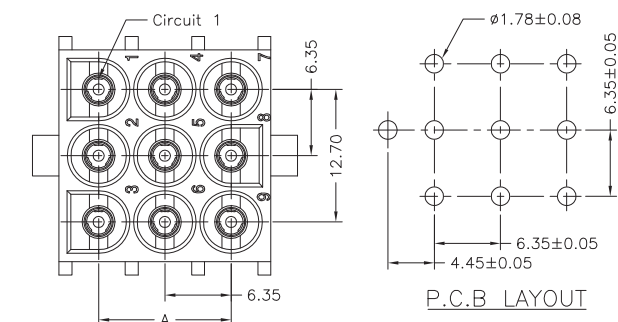
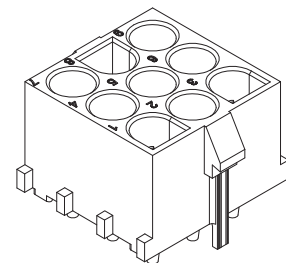
- *Material: Pin: Brass/Tin-plated
Wafer: Nylon 66, UL94V-0 or UL94V-2
- *Mates with C6350HF series triple row Housing

	C6350WV-F-3X05P						
	N	0	W	T1	N	F0	G
①	②	③	④	⑤	⑥	⑦	
① N=Halogen Free							
② Material: 0=Nylon 66-V0, 2=Nylon 66-V2							
③ Color: W=White, N=Natural(Translucent)							
④ Plating code: T1=Tin-plated							
⑤ Plating code: N=Non-plating							
⑥ Option code: F0=Female pin							
⑦ Packing code: G=Bag							

Ordering Information:

C6350WV-F-3XNPF *

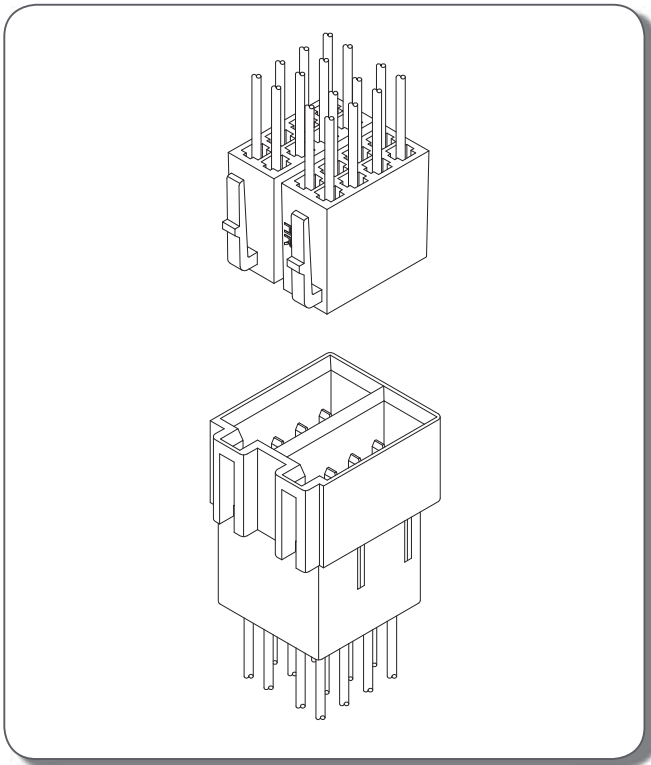
1. Part No.
2. Material:
V0-UL94V-0
V2-UL94V-2



Ordering Information & Dimensions:

PART NO.	Dimensions	
	A	B
C6350WV-F-3X02PF	6.35	13.97
C6350WV-F-3X03PF	12.70	20.32
C6350WV-F-3X04PF	19.05	26.67
C6350WV-F-3X05PF	25.40	33.02

Unit:mm



Specifications

Current rating: 7A AC,DC
 Voltage rating: 250V AC,DC
 Temperature range: -25°C ~ +85°C
 Contact resistance: 10mΩ Max.
 Insulation resistance: 1000MΩ Min.
 Withstanding voltage: 1500V AC/minute

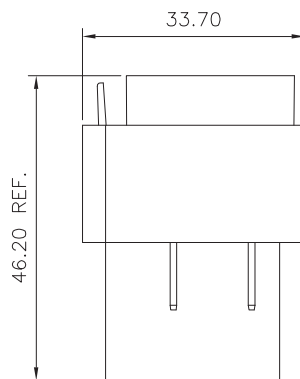
A
 B
C
 F
 ST
 HRJ
 DC

Standards



E179987

Assembly layout



Ordering code

① C6500 ② F-T ③ B ④ E

- ① Series No.
- ② Terminal type: F=Female, M=Male
- ③ Plating code: T=Tin-plated
- ④ Material: B=Brass, P=Phosphor bronze
- ⑤ E=Stamping before plating

① C6500 ② HF-08P ③ -L

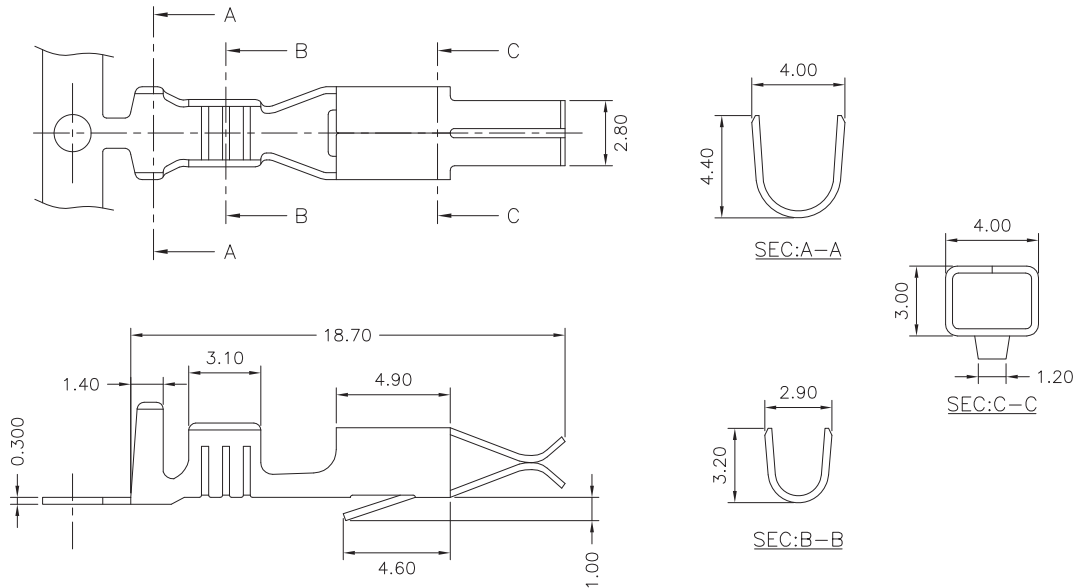
- ① Series No.
- ② Housing type: HF=Receptacle
HM=Plug
- ③ No. of circuits
- ④ Option code:
-L=Left type
-R=Right type

C6500F-T

6.00-5.00mm pitch Crimp Terminal

Reference Informations:

*Used in C6500HF or C6501HF series Housing



Ordering Information & Specifications:

Unit:mm

Part No.	Wire Range	Insulation O.D.	Material	Finish	Qty/reel
C6500F-TPE	AWG#18-#22	3.10mm(max)	Phosphor Bronze	Tin-plated	4,000pcs

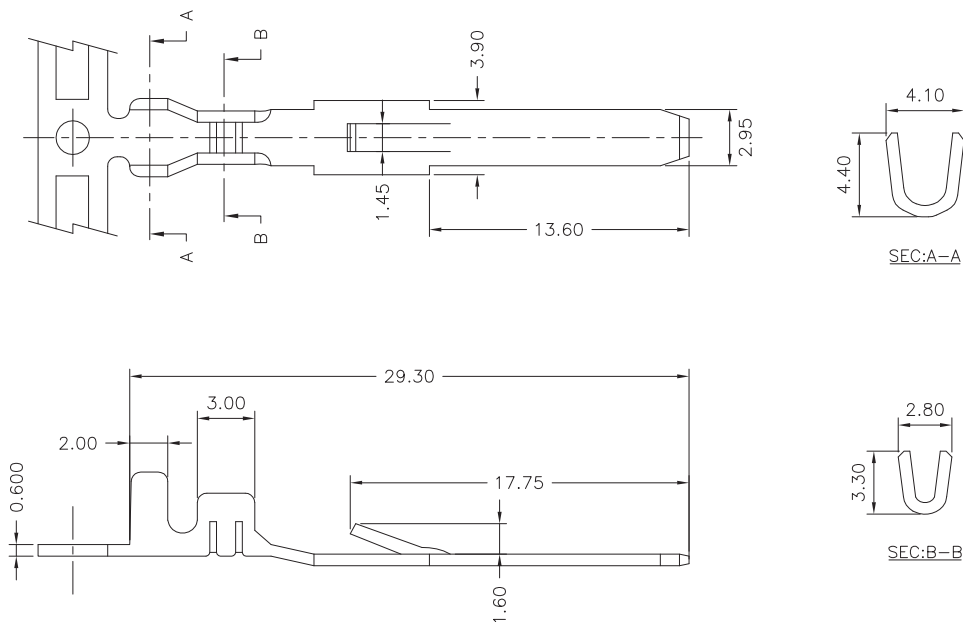
Note:E-Stamping before Tin-plated

C6500M-T

6.00-5.00mm pitch Crimp Terminal

Reference Informations:

*Used in C6500HM series Housing



Ordering Information & Specifications:

Unit:mm

Part No.	Wire Range	Insulation O.D.	Material	Finish	Qty/reel
C6500M-TBE	AWG#18-#22	3.10mm(max)	Brass	Tin-plated	4,000pcs

Note:E-Stamping before Tin-plated

C6500 SERIES

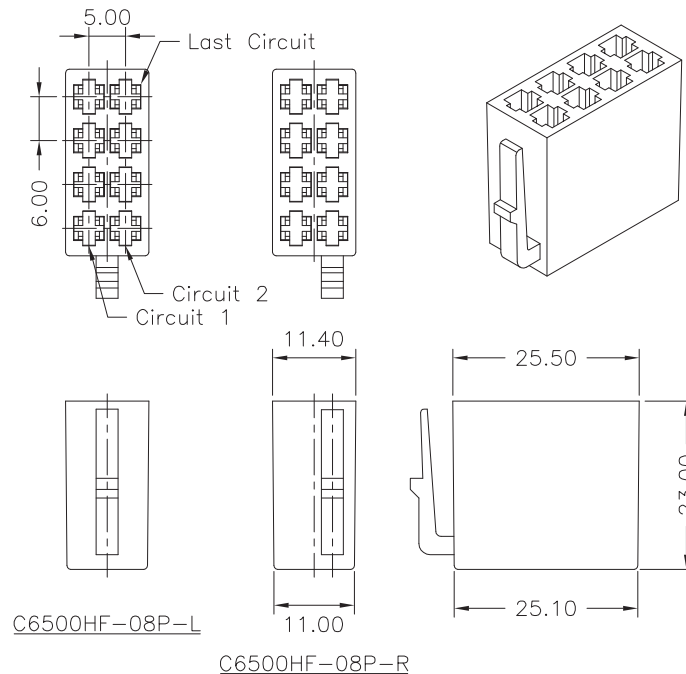
6.00-5.00mm pitch wire to wire connector

C6500HF-08P

6.00-5.00mm pitch Housing

Reference Informations:

- *Material: Nylon 66,UL94V-2
- *Suitable C6500F series Terminal
- *Mates with C6500HM,C6501HM or C6502HM series Housing



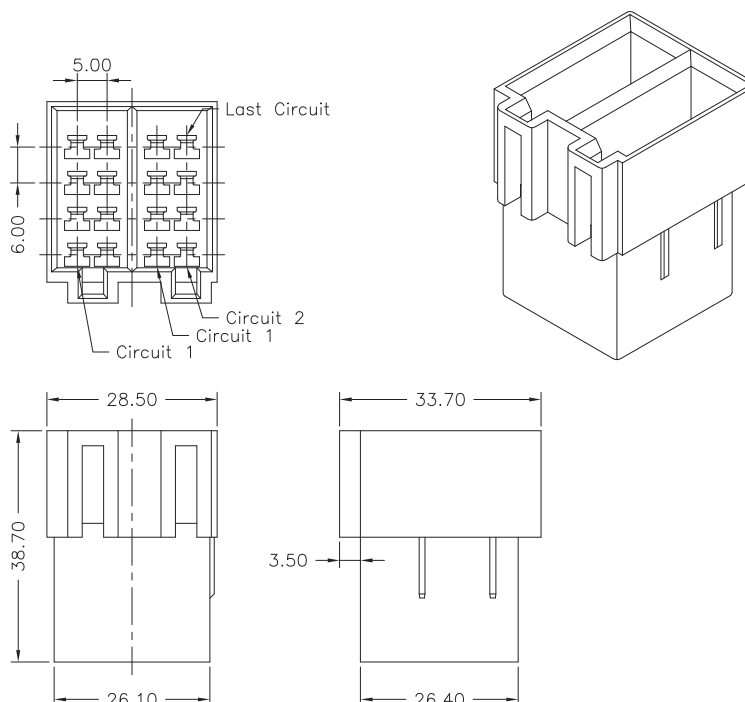
A
B
C
F
ST
HRJ
DC

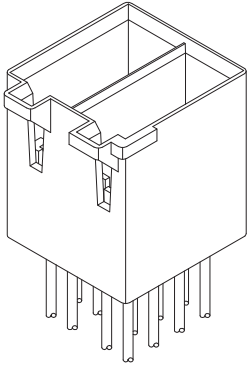
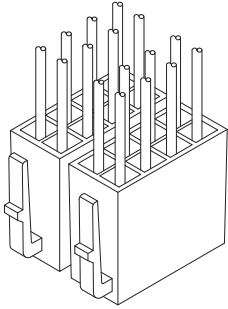
C6500HM-16P

6.00-5.00mm pitch Housing

Reference Informations:

- *Material: Nylon 66,UL94V-0
- *Suitable C6500M series Terminal
- *Mates with C6500HF or C6501HF series Housing

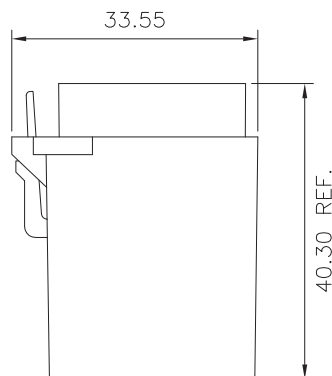




Specifications

Current rating: 7A AC,DC
Voltage rating: 250V AC,DC
Temperature range: -25°C ~ +85°C
Contact resistance: 10mΩ Max.
Insulation resistance: 1000MΩ Min.
Withstanding voltage: 1500V AC/minute

Assembly layout



Ordering code

① C6501 ② HF ③ -08P ④ -L

- ① Series No.
- ② Housing type: HF=Receptacle
HM=Plug
- ③ No. of circuits
- ④ Option code:
 - L=Left type
 - R=Right type

C6501 SERIES

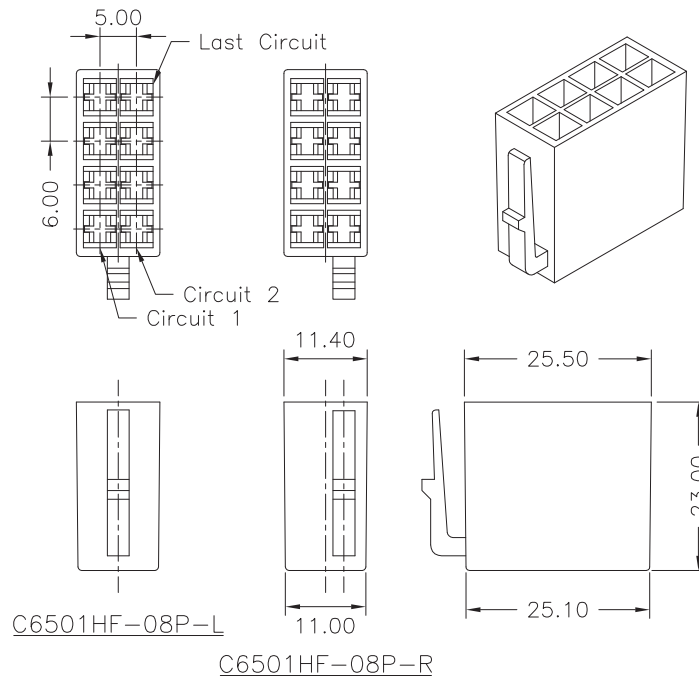
6.00-5.00mm pitch wire to wire connector

C6501HF-08P

6.00-5.00mm pitch Housing

Reference Informations:

- *Material: Nylon 66,UL94V-2
- *Suitable C6500F series Terminal
- *Mates with C6500HM, C6501HM or C6502HM series Housing



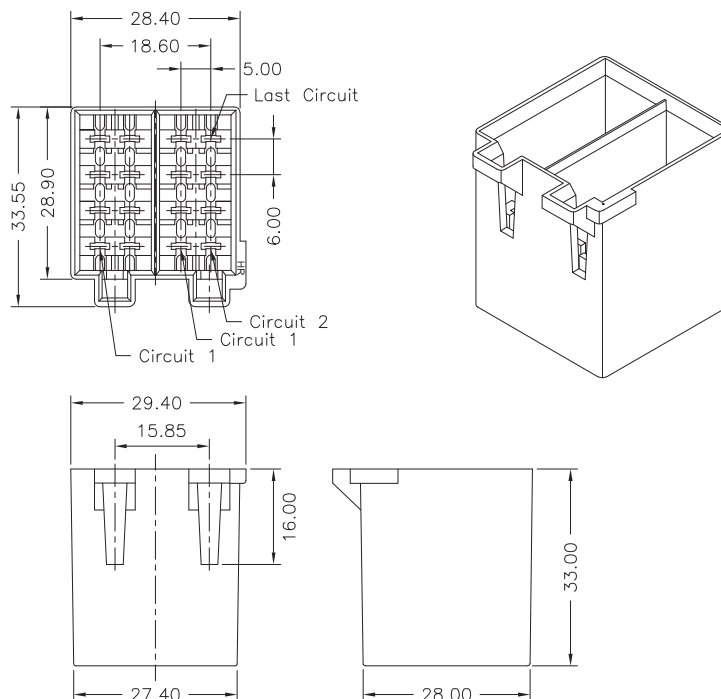
A
B
C
F
ST
HRJ
DC

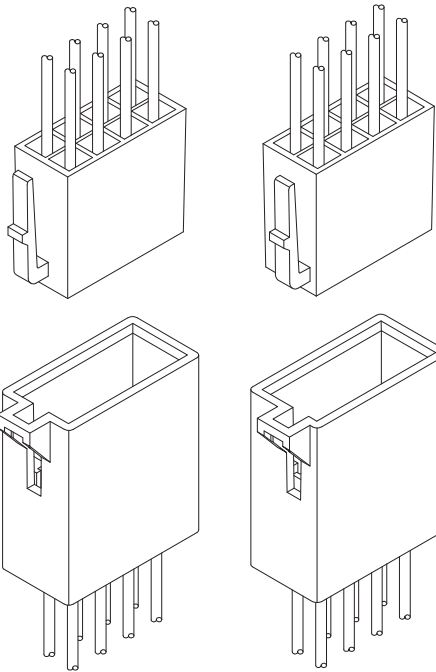
C6501HM-16P

6.00-5.00mm pitch Housing

Reference Informations:

- *Material: Nylon 66,UL94V-0
- *Suitable C6502M series Terminal
- *Mates with C6500HF or C6501HF series Housing

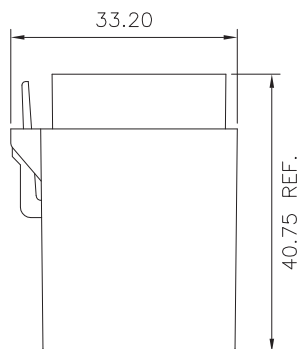




Specifications

Current rating: 7A AC,DC
Voltage rating: 250V AC,DC
Temperature range: -25°C ~ +85°C
Contact resistance: 10mΩ Max.
Insulation resistance: 1000MΩ Min.
Withstanding voltage: 1500V AC/minute

Assembly layout



Ordering code

① C6502 ② HM ③ -08P ④ -L

- ① Series No.
- ② Housing type: HM=Plug
- ③ No. of circuits
- ④ Option code:
 - L=Left type
 - R=Right type

C6502 SERIES

6.00-5.00mm pitch wire to wire connector

C6502HM-08P

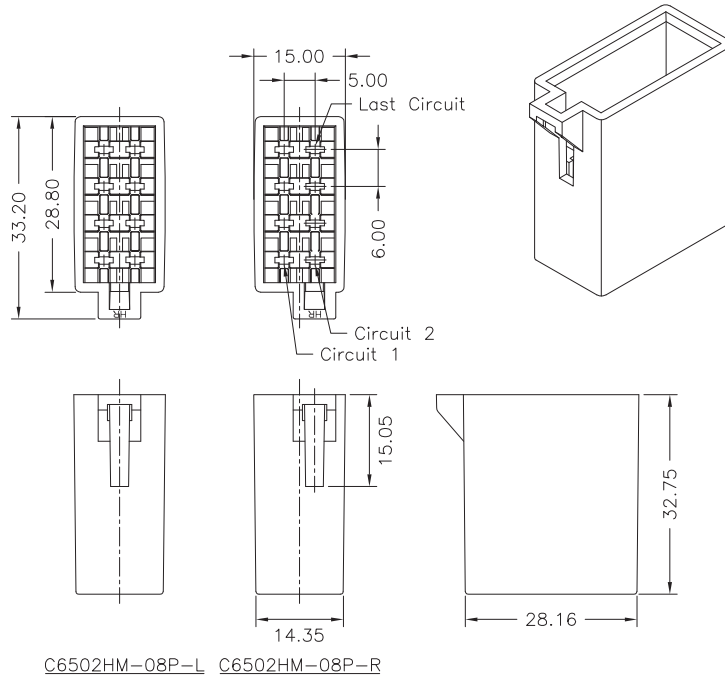
6.00-5.00mm pitch Housing

Reference Informations:

*Material: Nylon 66,UL94V-2

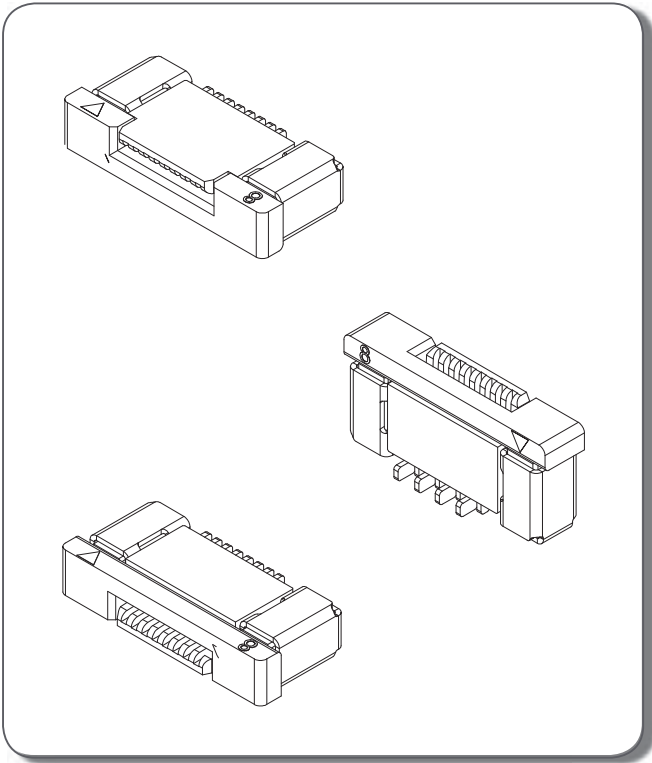
*Suitable C6502M series Terminal

*Mates with C6500HF or C6501HF series Housing



A
B
C
F
ST
HRJ
DC

A
B
C
F
ST
HRJ
DC



Specifications

- Current rating: 0.5A AC,DC
- Voltage rating: 50V AC,DC
- Temperature range: -25°C ~ +85°C
- Contact resistance: 30mΩ Max.
- Insulation resistance: 100MΩ Min.
- Withstanding voltage: 250V AC/minute

Ordering code

① ② ③ ④ ⑤
F0500 WV A-S-30P

- ① Series No.
- ② Connector type: WV=Vertical
- ③ Blank=Normal type
A=Reverse type
- ④ Mounting type: S=SMT
- ⑤ No. of circuits

① ② ③ ④ ⑤
F0500 WR-S-30P T

- ① Series No.
- ② Connector type: WR=Right angle
- ③ Mounting type: S=SMT
- ④ No. of circuits
- ⑤ Option code:
T=Top contact style
B=Bottom contact style

F0500 SERIES

0.50mm pitch FFC/FPC connector

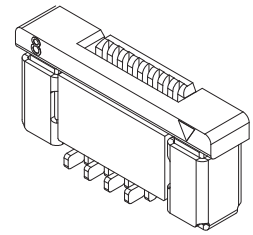
F0500WV-S

0.50mm pitch FFC/FPC 180° Connector, ZIF, SMT TYPE

Reference Informations:

*Material: Pin: Phosphor Bronze/Gold-flash
Solder Tabs: Brass/Gold-flash
Housing: Nylon 6T,UL94V-0
Actuator: Nylon 6T,UL94V-0

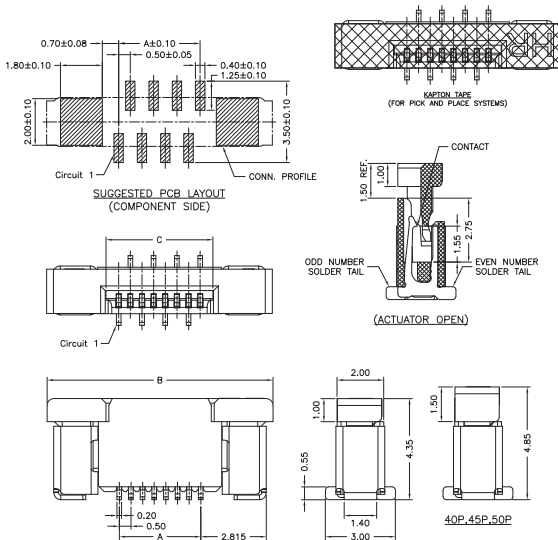
	F0500WV-S-30P						
	N	L	N	G1	G	00	L
	①	②	③	④	⑤	⑥	⑦
	① N=Halogen Free						
	② Material: L=LCP						
	③ Color: N=Natural(Beige)						
	④ Plating code: G1=Gold-flash						
⑤ Plating code: G=Gold-flash							
⑥ Option code: 00=Standard							
⑦ Packing code: L=Tape & Reel(With Mylar)							



Ordering Information & Dimensions:

PART NO.	Dimensions			PART NO.	Dimensions		
	A	B	C		A	B	C
F0500WV-S-04P	1.50	7.70	2.60	F0500WV-S-24P	11.50	17.70	12.60
F0500WV-S-05P	2.00	8.20	3.10	F0500WV-S-25P	12.00	18.20	13.10
F0500WV-S-06P	2.50	8.70	3.60	F0500WV-S-26P	12.50	18.70	13.60
F0500WV-S-07P	3.00	9.20	4.10	F0500WV-S-27P	13.00	19.20	14.10
F0500WV-S-08P	3.50	9.70	4.60	F0500WV-S-28P	13.50	19.70	14.60
F0500WV-S-09P	4.00	10.20	5.10	F0500WV-S-29P	14.00	20.20	15.10
F0500WV-S-10P	4.50	10.70	5.60	F0500WV-S-30P	14.50	20.70	15.60
F0500WV-S-11P	5.00	11.20	6.10	F0500WV-S-31P	15.00	21.20	16.10
F0500WV-S-12P	5.50	11.70	6.60	F0500WV-S-32P	15.50	21.70	16.60
F0500WV-S-13P	6.00	12.20	7.10	F0500WV-S-33P	16.00	22.20	17.10
F0500WV-S-14P	6.50	12.70	7.60	F0500WV-S-34P	16.50	22.70	17.60
F0500WV-S-15P	7.00	13.20	8.10	F0500WV-S-35P	17.00	23.20	18.10
F0500WV-S-16P	7.50	13.70	8.60	F0500WV-S-36P	17.50	23.70	18.60
F0500WV-S-17P	8.00	14.20	9.10	F0500WV-S-37P	18.00	24.20	19.10
F0500WV-S-18P	8.50	14.70	9.60	F0500WV-S-38P	18.50	24.70	19.60
F0500WV-S-19P	9.00	15.20	10.10	F0500WV-S-39P	19.00	25.20	20.10
F0500WV-S-20P	9.50	15.70	10.60	F0500WV-S-40P	19.50	25.70	20.60
F0500WV-S-21P	10.00	16.20	11.10	F0500WV-S-45P	22.00	28.20	23.10
F0500WV-S-22P	10.50	16.70	11.60	F0500WV-S-50P	24.50	30.70	25.60
F0500WV-S-23P	11.00	17.20	12.10				

Unit:mm



A
B
C
F
ST
HRJ
DC

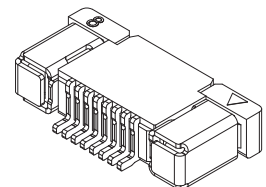
F0500WR-S

0.50mm pitch FFC/FPC 90° Connector, ZIF, SMT TYPE, Top Contact Style

Reference Informations:

*Material: Pin: Phosphor Bronze/Gold-flash
Solder Tabs: Brass/Gold-flash
Housing: Nylon 6T,UL94V-0
Actuator: Nylon 6T,UL94V-0

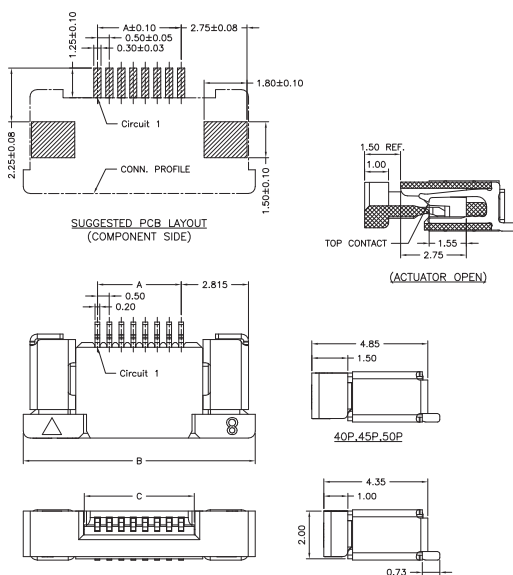
	F0500WR-S-30P						
	N	L	N	G1	G	T0	R
	①	②	③	④	⑤	⑥	⑦
	① N=Halogen Free						
	② Material: L=LCP						
	③ Color: N=Natural(Beige)						
	④ Plating code: G1=Gold-flash						
⑤ Plating code: G=Gold-flash							
⑥ Option code: T0=Top contact							
⑦ Packing code: R=Tape & Reel							

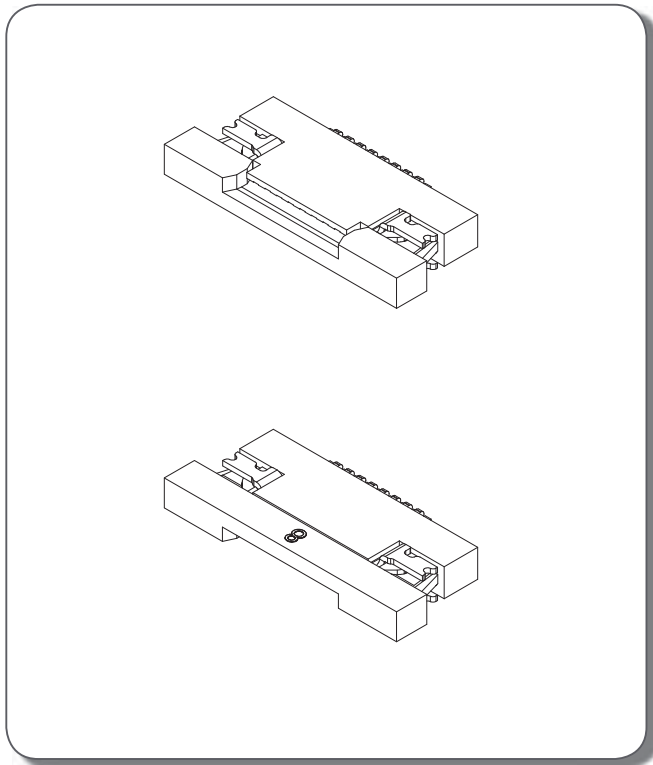


Ordering Information & Dimensions:

PART NO.	Dimensions			PART NO.	Dimensions		
	A	B	C		A	B	C
F0500WR-S-04PT	1.50	7.70	2.60	F0500WR-S-24PT	11.50	17.70	12.60
F0500WR-S-05PT	2.00	8.20	3.10	F0500WR-S-25PT	12.00	18.20	13.10
F0500WR-S-06PT	2.50	8.70	3.60	F0500WR-S-26PT	12.50	18.70	13.60
F0500WR-S-07PT	3.00	9.20	4.10	F0500WR-S-27PT	13.00	19.20	14.10
F0500WR-S-08PT	3.50	9.70	4.60	F0500WR-S-28PT	13.50	19.70	14.60
F0500WR-S-09PT	4.00	10.20	5.10	F0500WR-S-29PT	14.00	20.20	15.10
F0500WR-S-10PT	4.50	10.70	5.60	F0500WR-S-30PT	14.50	20.70	15.60
F0500WR-S-11PT	5.00	11.20	6.10	F0500WR-S-31PT	15.00	21.20	16.10
F0500WR-S-12PT	5.50	11.70	6.60	F0500WR-S-32PT	15.50	21.70	16.60
F0500WR-S-13PT	6.00	12.20	7.10	F0500WR-S-33PT	16.00	22.20	17.10
F0500WR-S-14PT	6.50	12.70	7.60	F0500WR-S-34PT	16.50	22.70	17.60
F0500WR-S-15PT	7.00	13.20	8.10	F0500WR-S-35PT	17.00	23.20	18.10
F0500WR-S-16PT	7.50	13.70	8.60	F0500WR-S-36PT	17.50	23.70	18.60
F0500WR-S-17PT	8.00	14.20	9.10	F0500WR-S-37PT	18.00	24.20	19.10
F0500WR-S-18PT	8.50	14.70	9.60	F0500WR-S-38PT	18.50	24.70	19.60
F0500WR-S-19PT	9.00	15.20	10.10	F0500WR-S-39PT	19.00	25.20	20.10
F0500WR-S-20PT	9.50	15.70	10.60	F0500WR-S-40PT	19.50	25.70	20.60
F0500WR-S-21PT	10.00	16.20	11.10	F0500WR-S-45PT	22.00	28.20	23.10
F0500WR-S-22PT	10.50	16.70	11.60	F0500WR-S-50PT	24.50	30.70	25.60
F0500WR-S-23PT	11.00	17.20	12.10				

Unit:mm





Specifications

Current rating: 0.5A AC,DC
Voltage rating: 50V AC,DC
Temperature range: -25°C ~ +85°C
Contact resistance: 30mΩ Max.
Insulation resistance: 100MΩ Min.
Withstanding voltage: 250V AC/minute

A
B
C
F
ST
HRJ
DC

Ordering code

① ② ③ ④ ⑤
F0501 WR-S-30P DT1

- ① Series No.
- ② Connector type: WR=Right angle
- ③ Mounting type: S=SMT
- ④ No. of circuits
- ⑤ Option code:
DT1=Top contact style, Gold-plated, Taping reel
DB1=Bottom contact style, Gold-plated, Taping reel

F0501 SERIES

0.50mm pitch FFC/FPC connector

F0501WR-S

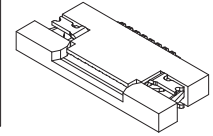
0.50mm pitch FFC/FPC 90° Connector, ZIF, SMT TYPE, Top Contact Style

Reference Informations:

- *Material: Pin: Phosphor Bronze/Gold-plated
- Solder Tabs: Phosphor Bronze/Gold-flash
- Housing: LCP,UL94V-0
- Actuator: Nylon 6T,UL94V-0

	F0501WR-S-30P	N	L	N	G2	G	T0	R
		①	②	③	④	⑤	⑥	⑦

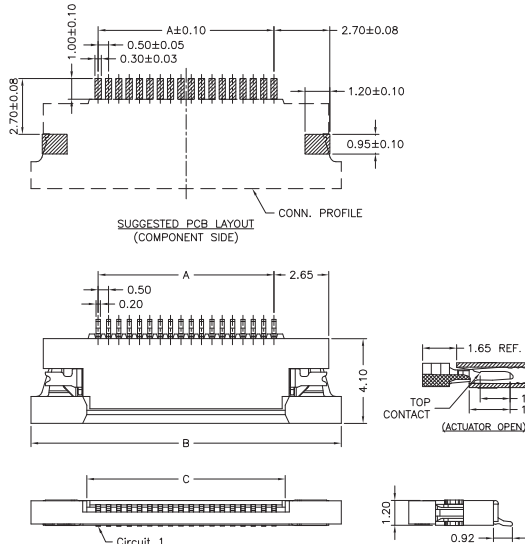
① N=Halogen Free
② Material: L=LCP
③ Color: N=Natural(Beige)
④ Plating code: G2=Gold-plated 3u"
⑤ Plating code: G=Gold-flash
⑥ Option code: T0=Top contact
⑦ Packing code: R=Tape & Reel



Ordering Information & Dimensions:

PART NO.	Dimensions			PART NO.	Dimensions		
	A	B	C		A	B	C
F0501WR-S-04PDT1	1.50	8.00	2.60	F0501WR-S-28PDT1	13.50	20.00	14.60
F0501WR-S-05PDT1	2.00	8.50	3.10	F0501WR-S-29PDT1	14.00	20.50	15.10
F0501WR-S-06PDT1	2.50	9.00	3.60	F0501WR-S-30PDT1	14.50	21.00	15.60
F0501WR-S-07PDT1	3.00	9.50	4.10	F0501WR-S-31PDT1	15.00	21.50	16.10
F0501WR-S-08PDT1	3.50	10.00	4.60	F0501WR-S-32PDT1	15.50	22.00	16.60
F0501WR-S-09PDT1	4.00	10.50	5.10	F0501WR-S-33PDT1	16.00	22.50	17.10
F0501WR-S-10PDT1	4.50	11.00	5.60	F0501WR-S-34PDT1	16.50	23.00	17.60
F0501WR-S-11PDT1	5.00	11.50	6.10	F0501WR-S-35PDT1	17.00	23.50	18.10
F0501WR-S-12PDT1	5.50	12.00	6.60	F0501WR-S-36PDT1	17.50	24.00	18.60
F0501WR-S-13PDT1	6.00	12.50	7.10	F0501WR-S-37PDT1	18.00	24.50	19.10
F0501WR-S-14PDT1	6.50	13.00	7.60	F0501WR-S-38PDT1	18.50	25.00	19.60
F0501WR-S-15PDT1	7.00	13.50	8.10	F0501WR-S-39PDT1	19.00	25.50	20.10
F0501WR-S-16PDT1	7.50	14.00	8.60	F0501WR-S-40PDT1	19.50	26.00	20.60
F0501WR-S-17PDT1	8.00	14.50	9.10	F0501WR-S-41PDT1	20.00	26.50	21.10
F0501WR-S-18PDT1	8.50	15.00	9.60	F0501WR-S-42PDT1	20.50	27.00	21.60
F0501WR-S-19PDT1	9.00	15.50	10.10	F0501WR-S-43PDT1	21.00	27.50	22.10
F0501WR-S-20PDT1	9.50	16.00	10.60	F0501WR-S-44PDT1	21.50	28.00	22.60
F0501WR-S-21PDT1	10.00	16.50	11.10	F0501WR-S-45PDT1	22.00	28.50	23.10
F0501WR-S-22PDT1	10.50	17.00	11.60	F0501WR-S-46PDT1	22.50	29.00	23.60
F0501WR-S-23PDT1	11.00	17.50	12.10	F0501WR-S-47PDT1	23.00	29.50	24.10
F0501WR-S-24PDT1	11.50	18.00	12.60	F0501WR-S-48PDT1	23.50	30.00	24.60
F0501WR-S-25PDT1	12.00	18.50	13.10	F0501WR-S-49PDT1	24.00	30.50	25.10
F0501WR-S-26PDT1	12.50	19.00	13.60	F0501WR-S-50PDT1	24.50	31.00	25.60
F0501WR-S-27PDT1	13.00	19.50	14.10				

Unit:mm



F0501WR-S

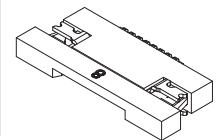
0.50mm pitch FFC/FPC 90° Connector, ZIF, SMT TYPE, Bottom Contact Style

Reference Informations:

- *Material: Pin: Phosphor Bronze/Gold-plated
- Solder Tabs: Phosphor Bronze/Gold-flash
- Housing: LCP,UL94V-0
- Actuator: Nylon 6T,UL94V-0

	F0501WR-S-30P	N	L	N	G2	G	B0	R
		①	②	③	④	⑤	⑥	⑦

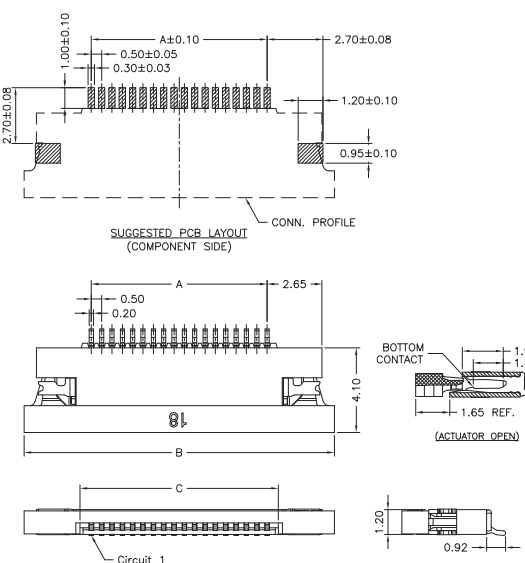
① N=Halogen Free
② Material: L=LCP
③ Color: N=Natural(Beige)
④ Plating code: G2=Gold-plated 3u"
⑤ Plating code: G=Gold-flash
⑥ Option code: B0=Bottom contact
⑦ Packing code: R=Tape & Reel

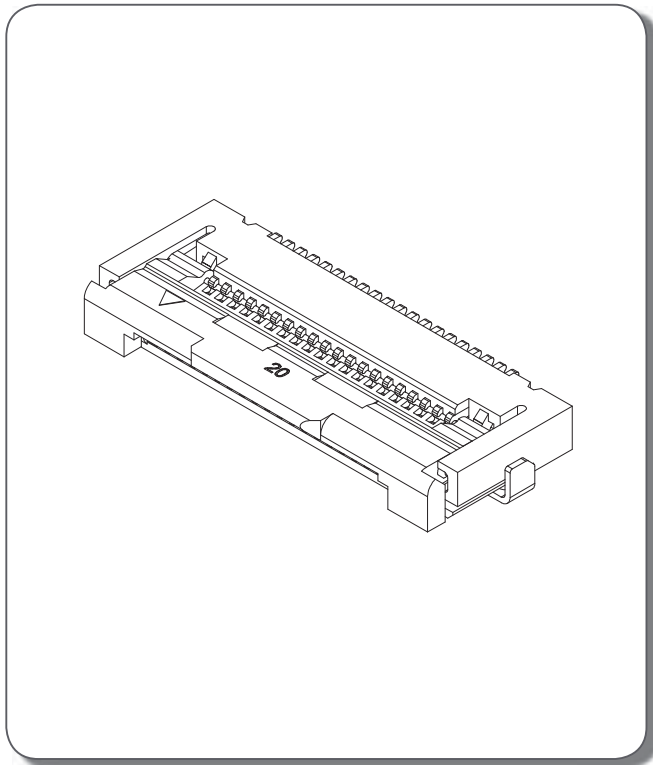


Ordering Information & Dimensions:

PART NO.	Dimensions			PART NO.	Dimensions		
	A	B	C		A	B	C
F0501WR-S-04PDB1	1.50	8.00	2.60	F0501WR-S-28PDB1	13.50	20.00	14.60
F0501WR-S-05PDB1	2.00	8.50	3.10	F0501WR-S-29PDB1	14.00	20.50	15.10
F0501WR-S-06PDB1	2.50	9.00	3.60	F0501WR-S-30PDB1	14.50	21.00	15.60
F0501WR-S-07PDB1	3.00	9.50	4.10	F0501WR-S-31PDB1	15.00	21.50	16.10
F0501WR-S-08PDB1	3.50	10.00	4.60	F0501WR-S-32PDB1	15.50	22.00	16.60
F0501WR-S-09PDB1	4.00	10.50	5.10	F0501WR-S-33PDB1	16.00	22.50	17.10
F0501WR-S-10PDB1	4.50	11.00	5.60	F0501WR-S-34PDB1	16.50	23.00	17.60
F0501WR-S-11PDB1	5.00	11.50	6.10	F0501WR-S-35PDB1	17.00	23.50	18.10
F0501WR-S-12PDB1	5.50	12.00	6.60	F0501WR-S-36PDB1	17.50	24.00	18.60
F0501WR-S-13PDB1	6.00	12.50	7.10	F0501WR-S-37PDB1	18.00	24.50	19.10
F0501WR-S-14PDB1	6.50	13.00	7.60	F0501WR-S-38PDB1	18.50	25.00	19.60
F0501WR-S-15PDB1	7.00	13.50	8.10	F0501WR-S-39PDB1	19.00	25.50	20.10
F0501WR-S-16PDB1	7.50	14.00	8.60	F0501WR-S-40PDB1	19.50	26.00	20.60
F0501WR-S-17PDB1	8.00	14.50	9.10	F0501WR-S-41PDB1	20.00	26.50	21.10
F0501WR-S-18PDB1	8.50	15.00	9.60	F0501WR-S-42PDB1	20.50	27.00	21.60
F0501WR-S-19PDB1	9.00	15.50	10.10	F0501WR-S-43PDB1	21.00	27.50	22.10
F0501WR-S-20PDB1	9.50	16.00	10.60	F0501WR-S-44PDB1	21.50	28.00	22.60
F0501WR-S-21PDB1	10.00	16.50	11.10	F0501WR-S-45PDB1	22.00	28.50	23.10
F0501WR-S-22PDB1	10.50	17.00	11.60	F0501WR-S-46PDB1	22.50	29.00	23.60
F0501WR-S-23PDB1	11.00	17.50	12.10	F0501WR-S-47PDB1	23.00	29.50	24.10
F0501WR-S-24PDB1	11.50	18.00	12.60	F0501WR-S-48PDB1	23.50	30.00	24.60
F0501WR-S-25PDB1	12.00	18.50	13.10	F0501WR-S-49PDB1	24.00	30.50	25.10
F0501WR-S-26PDB1	12.50	19.00	13.60	F0501WR-S-50PDB1	24.50	31.00	25.60
F0501WR-S-27PDB1	13.00	19.50	14.10				

Unit:mm





Specifications

Current rating: 0.5A AC,DC
Voltage rating: 50V AC,DC
Temperature range: -25°C ~ +85°C
Contact resistance: 30mΩ Max.
Insulation resistance: 100MΩ Min.
Withstanding voltage: 250V AC/minute

A
B
C
F
ST
HRJ
DC

Ordering code

① ② ③ ④ ⑤
F0502 **WR-S-30P** **D01**

- ① Series No.
- ② Connector type: WR=Right angle
- ③ Mounting type: S=SMT
- ④ No. of circuits
- ⑤ Option code:
D01=Gold-flash, Taping reel

F0502 SERIES

0.50mm pitch FFC/FPC connector

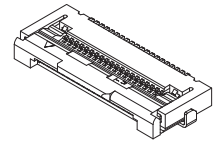
F0502WR-S

0.50mm pitch FFC/FPC 90° Connector, ZIF, SMT TYPE, Bottom Contact Style

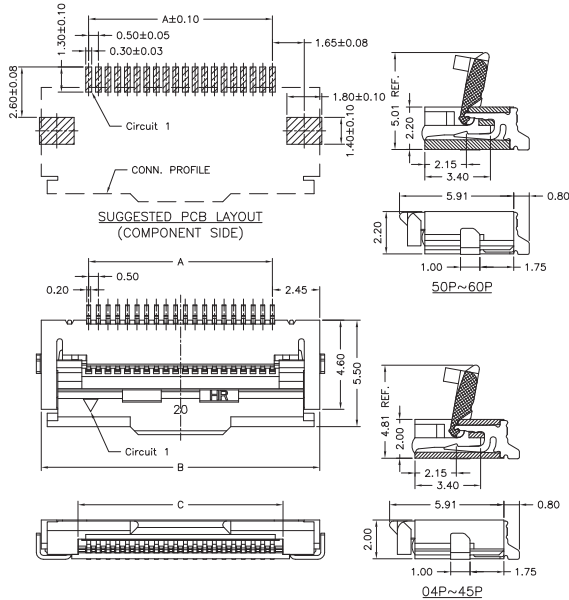
Reference Informations:

- *Material: Pin: Phosphor Bronze/Tin-plated
- Solder Tabs: Phosphor Bronze/Tin-plated
- Housing: Nylon 6T,UL94V-0
- Actuator: Nylon 6T,UL94V-0

	F0502WR-S-30P						
	N	L	N	T1	T	00	R
①	②	③	④	⑤	⑥	⑦	
① N=Halogen Free ② Material: L=LCP ③ Color: N=Natural(Beige) ④ Plating code: T1=Tin-plated, G1=Gold-flash ⑤ Plating code: T=Tin-plated, G=Gold-flash ⑥ Option code: 00=Standard ⑦ Packing code: R=Tape & Reel							



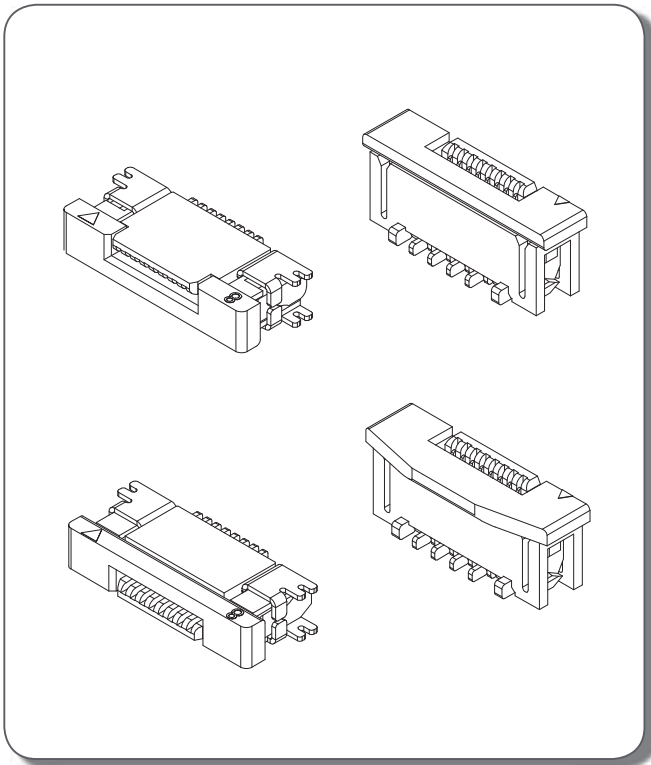
A
B
C
F
ST
HRJ
DC



Ordering Information & Dimensions:

PART NO.	Dimensions			PART NO.	Dimensions		
	A	B	C		A	B	C
F0502WR-S-04P	1.50	6.40	2.60	F0502WR-S-27P	13.00	17.90	14.10
F0502WR-S-06P	2.50	7.40	3.60	F0502WR-S-28P	13.50	18.40	14.60
F0502WR-S-07P	3.00	7.90	4.10	F0502WR-S-29P	14.00	18.90	15.10
F0502WR-S-08P	3.50	8.40	4.60	F0502WR-S-30P	14.50	19.40	15.60
F0502WR-S-09P	4.00	8.90	5.10	F0502WR-S-31P	15.00	19.90	16.10
F0502WR-S-10P	4.50	9.40	5.60	F0502WR-S-32P	15.50	20.40	16.60
F0502WR-S-11P	5.00	9.90	6.10	F0502WR-S-33P	16.00	20.90	17.10
F0502WR-S-12P	5.50	10.40	6.60	F0502WR-S-34P	16.50	21.40	17.60
F0502WR-S-13P	6.00	10.90	7.10	F0502WR-S-35P	17.00	21.90	18.10
F0502WR-S-14P	6.50	11.40	7.60	F0502WR-S-36P	17.50	22.40	18.60
F0502WR-S-15P	7.00	11.90	8.10	F0502WR-S-37P	18.00	22.90	19.10
F0502WR-S-16P	7.50	12.40	8.60	F0502WR-S-38P	18.50	23.40	19.60
F0502WR-S-17P	8.00	12.90	9.10	F0502WR-S-39P	19.00	23.90	20.10
F0502WR-S-18P	8.50	13.40	9.60	F0502WR-S-40P	19.50	24.40	20.60
F0502WR-S-19P	9.00	13.90	10.10	F0502WR-S-42P	20.50	25.40	21.60
F0502WR-S-20P	9.50	14.40	10.60	F0502WR-S-45P	22.00	26.90	23.10
F0502WR-S-21P	10.00	14.90	11.10	F0502WR-S-46P	22.50	27.40	23.60
F0502WR-S-22P	10.50	15.40	11.60	F0502WR-S-50P	24.50	29.40	25.60
F0502WR-S-23P	11.00	15.90	12.10	F0502WR-S-54P	26.50	31.40	27.60
F0502WR-S-24P	11.50	16.40	12.60	F0502WR-S-55P	27.00	31.90	28.10
F0502WR-S-25P	12.00	16.90	13.10	F0502WR-S-60P	29.50	34.40	30.60
F0502WR-S-26P	12.50	17.40	13.60				

Unit:mm



Specifications

Current rating: 0.5A AC,DC
 Voltage rating: 50V AC,DC
 Temperature range: -25°C ~ +85°C
 Contact resistance: 30mΩ Max.
 Insulation resistance: 100MΩ Min.
 Withstanding voltage: 250V AC/minute

A
 B
 C
F
 ST
 HRJ
 DC

Ordering code

① ② ③ ④ ⑤
F0503 WV A-S-30P

- ① Series No.
- ② Connector type: WV=Vertical
- ③ Blank=With pick up kapton tape
 A=Without pick up kapton tape
- ④ Mounting type: S=SMT
- ⑤ No. of circuits

① ② ③ ④ ⑤
F0503 WR-S-30P T

- ① Series No.
- ② Connector type: WR=Right angle
- ③ Mounting type: S=SMT
- ④ No. of circuits
- ⑤ Option code:
 T=Top contact style
 B=Bottom contact style

F0503 SERIES

0.50mm pitch FFC/FPC connector

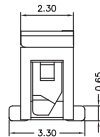
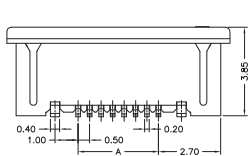
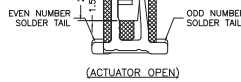
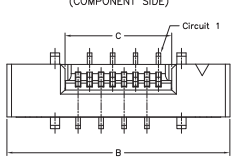
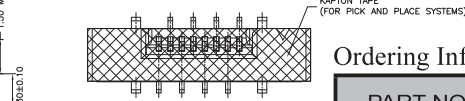
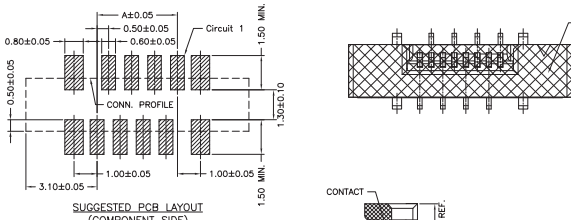
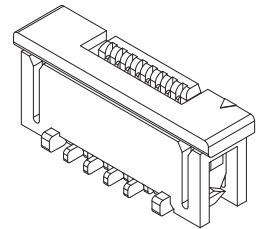
F0503WV-S

0.50mm pitch FFC/FPC 180° Connector, ZIF, SMT TYPE

Reference Informations:

*Material: Pin: Phosphor Bronze/Tin-plated
Solder Tabs: Brass/Tin-plated
Housing: Nylon 46,UL94V-0
Actuator: Nylon 6T,UL94V-0

	F0503WV-S-30P						
	N	L	N	T1	T	00	L
	①	②	③	④	⑤	⑥	⑦
①	N=Halogen Free						
②	Material: L=LCP						
③	Color: N=Natural(Beige)						
④	Plating code: T1=Tin-plated						
⑤	Plating code: T=Tin-plated						
⑥	Option code: 00=Standard						
⑦	Packing code: L=Tape & Reel(With Mylar)						



Ordering Information & Dimensions:

PART NO.	Dimensions			PART NO.	Dimensions		
	A	B	C		A	B	C
F0503WV-S-04P	1.50	7.70	2.65	F0503WV-S-23P	11.00	17.20	12.15
F0503WV-S-05P	2.00	8.20	3.15	F0503WV-S-24P	11.50	17.70	12.65
F0503WV-S-06P	2.50	8.70	3.65	F0503WV-S-25P	12.00	18.20	13.15
F0503WV-S-07P	3.00	9.20	4.15	F0503WV-S-26P	12.50	18.70	13.65
F0503WV-S-08P	3.50	9.70	4.65	F0503WV-S-27P	13.00	19.20	14.15
F0503WV-S-09P	4.00	10.20	5.15	F0503WV-S-28P	13.50	19.70	14.65
F0503WV-S-10P	4.50	10.70	5.65	F0503WV-S-29P	14.00	20.20	15.15
F0503WV-S-11P	5.00	11.20	6.15	F0503WV-S-30P	14.50	20.70	15.65
F0503WV-S-12P	5.50	11.70	6.65	F0503WV-S-31P	15.00	21.20	16.15
F0503WV-S-13P	6.00	12.20	7.15	F0503WV-S-32P	15.50	21.70	16.65
F0503WV-S-14P	6.50	12.70	7.65	F0503WV-S-33P	16.00	22.20	17.15
F0503WV-S-15P	7.00	13.20	8.15	F0503WV-S-34P	16.50	22.70	17.65
F0503WV-S-16P	7.50	13.70	8.65	F0503WV-S-35P	17.00	23.20	18.15
F0503WV-S-17P	8.00	14.20	9.15	F0503WV-S-36P	17.50	23.70	18.65
F0503WV-S-18P	8.50	14.70	9.65	F0503WV-S-37P	18.00	24.20	19.15
F0503WV-S-19P	9.00	15.20	10.15	F0503WV-S-38P	18.50	24.70	19.65
F0503WV-S-20P	9.50	15.70	10.65	F0503WV-S-39P	19.00	25.20	20.15
F0503WV-S-21P	10.00	16.20	11.15	F0503WV-S-40P	19.50	25.70	20.65
F0503WV-S-22P	10.50	16.70	11.65	F0503WV-S-45P	22.00	28.20	23.15

Unit:mm

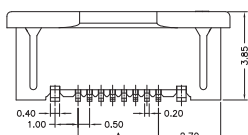
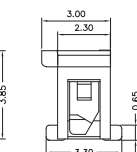
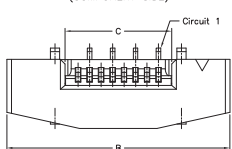
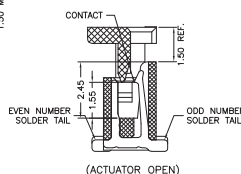
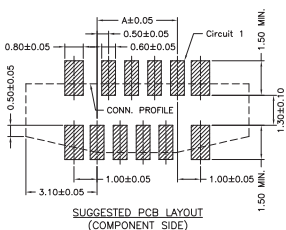
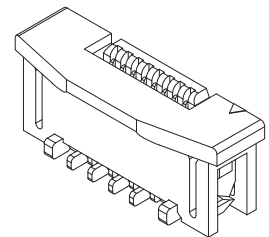
F0503WVA-S

0.50mm pitch FFC/FPC 180° Connector, ZIF, SMT TYPE

Reference Informations:

*Material: Pin: Phosphor Bronze/Tin-plated
Solder Tabs: Brass/Tin-plated
Housing: Nylon 46,UL94V-0
Actuator: Nylon 6T,UL94V-0

	F0503WVA-S-30P						
	N	L	N	T1	T	00	R
	①	②	③	④	⑤	⑥	⑦
①	N=Halogen Free						
②	Material: L=LCP						
③	Color: N=Natural(Beige)						
④	Plating code: T1=Tin-plated						
⑤	Plating code: T=Tin-plated						
⑥	Option code: 00=Standard						
⑦	Packing code: R=Tape & Reel						



Ordering Information & Dimensions:

PART NO.	Dimensions			PART NO.	Dimensions		
	A	B	C		A	B	C
F0503WVA-S-04P	1.50	7.70	2.65	F0503WVA-S-23P	11.00	17.20	12.15
F0503WVA-S-05P	2.00	8.20	3.15	F0503WVA-S-24P	11.50	17.70	12.65
F0503WVA-S-06P	2.50	8.70	3.65	F0503WVA-S-25P	12.00	18.20	13.15
F0503WVA-S-07P	3.00	9.20	4.15	F0503WVA-S-26P	12.50	18.70	13.65
F0503WVA-S-08P	3.50	9.70	4.65	F0503WVA-S-27P	13.00	19.20	14.15
F0503WVA-S-09P	4.00	10.20	5.15	F0503WVA-S-28P	13.50	19.70	14.65
F0503WVA-S-10P	4.50	10.70	5.65	F0503WVA-S-29P	14.00	20.20	15.15
F0503WVA-S-11P	5.00	11.20	6.15	F0503WVA-S-30P	14.50	20.70	15.65
F0503WVA-S-12P	5.50	11.70	6.65	F0503WVA-S-31P	15.00	21.20	16.15
F0503WVA-S-13P	6.00	12.20	7.15	F0503WVA-S-32P	15.50	21.70	16.65
F0503WVA-S-14P	6.50	12.70	7.65	F0503WVA-S-33P	16.00	22.20	17.15
F0503WVA-S-15P	7.00	13.20	8.15	F0503WVA-S-34P	16.50	22.70	17.65
F0503WVA-S-16P	7.50	13.70	8.65	F0503WVA-S-35P	17.00	23.20	18.15
F0503WVA-S-17P	8.00	14.20	9.15	F0503WVA-S-36P	17.50	23.70	18.65
F0503WVA-S-18P	8.50	14.70	9.65	F0503WVA-S-37P	18.00	24.20	19.15
F0503WVA-S-19P	9.00	15.20	10.15	F0503WVA-S-38P	18.50	24.70	19.65
F0503WVA-S-20P	9.50	15.70	10.65	F0503WVA-S-39P	19.00	25.20	20.15
F0503WVA-S-21P	10.00	16.20	11.15	F0503WVA-S-40P	19.50	25.70	20.65
F0503WVA-S-22P	10.50	16.70	11.65	F0503WVA-S-45P	22.00	28.20	23.15

Unit:mm

F0503 SERIES

0.50mm pitch FFC/FPC connector

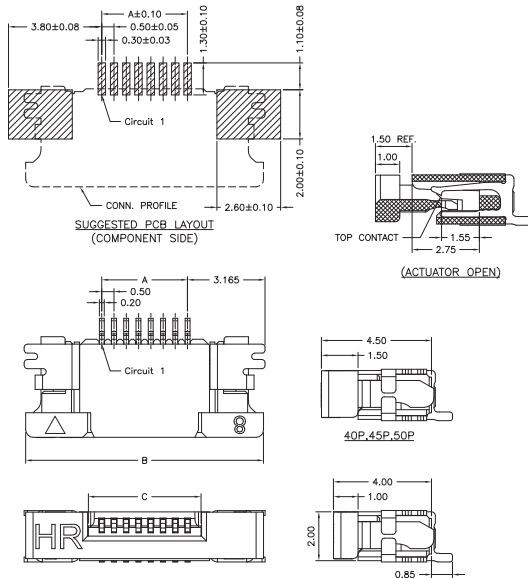
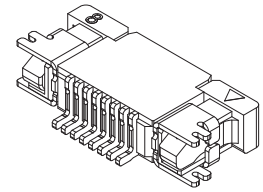
F0503WR-S

0.50mm pitch FFC/FPC 90° Connector, ZIF, SMT TYPE, Top Contact Style

Reference Informations:

*Material: Pin: Phosphor Bronze/Gold-flash
Solder Tabs: Brass/Gold-flash
Housing: Nylon 6T,UL94V-0
Actuator: Nylon 6T,UL94V-0

	F0503WR-S-30P	N	L	N	G1	G	T0	R
		①	②	③	④	⑤	⑥	⑦
①	N=Halogen Free							
②	Material: L=LCP							
③	Color: N=Natural(Beige)							
④	Plating code: G1=Gold-flash							
⑤	Plating code: G=Gold-flash							
⑥	Option code: T0=Top contact							
⑦	Packing code: R=Tape & Reel							



Ordering Information & Dimensions:

PART NO.	Dimensions			PART NO.	Dimensions		
	A	B	C		A	B	C
F0503WR-S-04PT	1.50	7.70	2.60	F0503WR-S-24PT	11.50	17.70	12.60
F0503WR-S-05PT	2.00	8.20	3.10	F0503WR-S-25PT	12.00	18.20	13.10
F0503WR-S-06PT	2.50	8.70	3.60	F0503WR-S-26PT	12.50	18.70	13.60
F0503WR-S-07PT	3.00	9.20	4.10	F0503WR-S-27PT	13.00	19.20	14.10
F0503WR-S-08PT	3.50	9.70	4.60	F0503WR-S-28PT	13.50	19.70	14.60
F0503WR-S-09PT	4.00	10.20	5.10	F0503WR-S-29PT	14.00	20.20	15.10
F0503WR-S-10PT	4.50	10.70	5.60	F0503WR-S-30PT	14.50	20.70	15.60
F0503WR-S-11PT	5.00	11.20	6.10	F0503WR-S-31PT	15.00	21.20	16.10
F0503WR-S-12PT	5.50	11.70	6.60	F0503WR-S-32PT	15.50	21.70	16.60
F0503WR-S-13PT	6.00	12.20	7.10	F0503WR-S-33PT	16.00	22.20	17.10
F0503WR-S-14PT	6.50	12.70	7.60	F0503WR-S-34PT	16.50	22.70	17.60
F0503WR-S-15PT	7.00	13.20	8.10	F0503WR-S-35PT	17.00	23.20	18.10
F0503WR-S-16PT	7.50	13.70	8.60	F0503WR-S-36PT	17.50	23.70	18.60
F0503WR-S-17PT	8.00	14.20	9.10	F0503WR-S-37PT	18.00	24.20	19.10
F0503WR-S-18PT	8.50	14.70	9.60	F0503WR-S-38PT	18.50	24.70	19.60
F0503WR-S-19PT	9.00	15.20	10.10	F0503WR-S-39PT	19.00	25.20	20.10
F0503WR-S-20PT	9.50	15.70	10.60	F0503WR-S-40PT	19.50	25.70	20.60
F0503WR-S-21PT	10.00	16.20	11.10	F0503WR-S-45PT	22.00	28.20	23.10
F0503WR-S-22PT	10.50	16.70	11.60	F0503WR-S-50PT	24.50	30.70	25.60
F0503WR-S-23PT	11.00	17.20	12.10				

Unit:mm

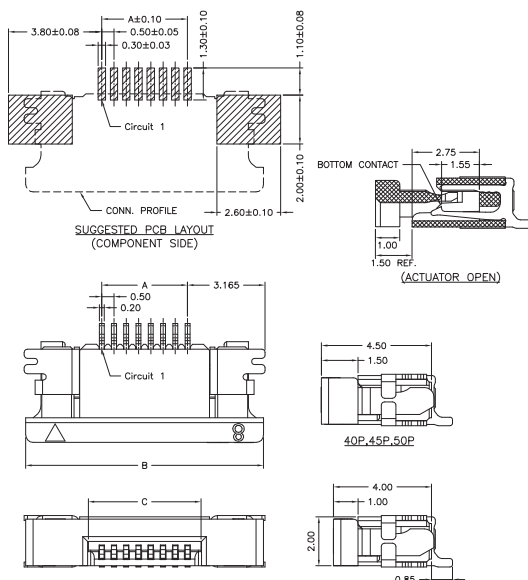
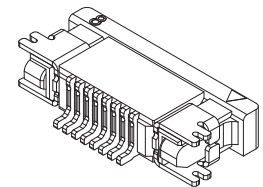
F0503WR-S

0.50mm pitch FFC/FPC 90° Connector, ZIF, SMT TYPE, Bottom Contact Style

Reference Informations:

*Material: Pin: Phosphor Bronze/Gold-flash
Solder Tabs: Brass/Gold-flash
Housing: Nylon 6T,UL94V-0
Actuator: Nylon 6T,UL94V-0

	F0503WR-S-30P	N	L	N	G1	G	B0	R
		①	②	③	④	⑤	⑥	⑦
①	N=Halogen Free							
②	Material: L=LCP							
③	Color: N=Natural(Beige)							
④	Plating code: G1=Gold-flash							
⑤	Plating code: G=Gold-flash							
⑥	Option code: B0=Bottom contact							
⑦	Packing code: R=Tape & Reel							



Ordering Information & Dimensions:

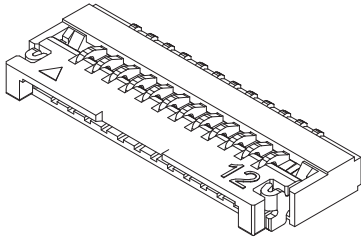
PART NO.	Dimensions			PART NO.	Dimensions		
	A	B	C		A	B	C
F0503WR-S-04PB	1.50	7.70	2.60	F0503WR-S-24PB	11.50	17.70	12.60
F0503WR-S-05PB	2.00	8.20	3.10	F0503WR-S-25PB	12.00	18.20	13.10
F0503WR-S-06PB	2.50	8.70	3.60	F0503WR-S-26PB	12.50	18.70	13.60
F0503WR-S-07PB	3.00	9.20	4.10	F0503WR-S-27PB	13.00	19.20	14.10
F0503WR-S-08PB	3.50	9.70	4.60	F0503WR-S-28PB	13.50	19.70	14.60
F0503WR-S-09PB	4.00	10.20	5.10	F0503WR-S-29PB	14.00	20.20	15.10
F0503WR-S-10PB	4.50	10.70	5.60	F0503WR-S-30PB	14.50	20.70	15.60
F0503WR-S-11PB	5.00	11.20	6.10	F0503WR-S-31PB	15.00	21.20	16.10
F0503WR-S-12PB	5.50	11.70	6.60	F0503WR-S-32PB	15.50	21.70	16.60
F0503WR-S-13PB	6.00	12.20	7.10	F0503WR-S-33PB	16.00	22.20	17.10
F0503WR-S-14PB	6.50	12.70	7.60	F0503WR-S-34PB	16.50	22.70	17.60
F0503WR-S-15PB	7.00	13.20	8.10	F0503WR-S-35PB	17.00	23.20	18.10
F0503WR-S-16PB	7.50	13.70	8.60	F0503WR-S-36PB	17.50	23.70	18.60
F0503WR-S-17PB	8.00	14.20	9.10	F0503WR-S-37PB	18.00	24.20	19.10
F0503WR-S-18PB	8.50	14.70	9.60	F0503WR-S-38PB	18.50	24.70	19.60
F0503WR-S-19PB	9.00	15.20	10.10	F0503WR-S-39PB	19.00	25.20	20.10
F0503WR-S-20PB	9.50	15.70	10.60	F0503WR-S-40PB	19.50	25.70	20.60
F0503WR-S-21PB	10.00	16.20	11.10	F0503WR-S-45PB	22.00	28.20	23.10
F0503WR-S-22PB	10.50	16.70	11.60	F0503WR-S-50PB	24.50	30.70	25.60
F0503WR-S-23PB	11.00	17.20	12.10				

Unit:mm

A
B
C
F
ST
HRJ
DC

Specifications

Current rating: 0.5A AC,DC
Voltage rating: 50V AC,DC
Temperature range: -25°C ~ +85°C
Contact resistance: 100mΩ Max.
Insulation resistance: 500MΩ Min.
Withstanding voltage: 150V AC/minute



Ordering code

① ② ③ ④
F0504 WR-S-30P

- ① Series No.
- ② Connector type: WR=Right angle
- ③ Mounting type: S=SMT
- ④ No. of circuits

F0504 SERIES

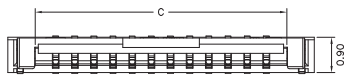
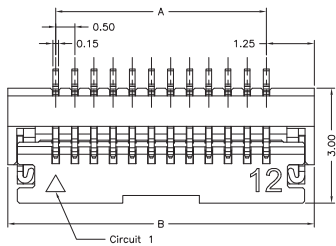
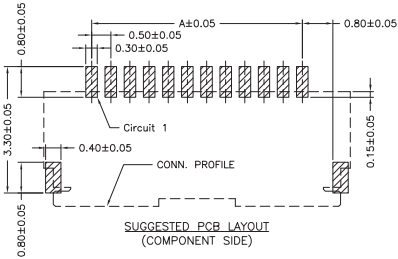
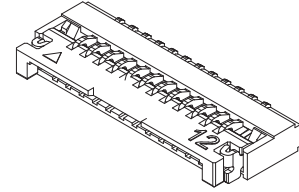
0.50mm pitch FFC/FPC connector

F0504WR-S

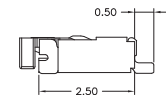
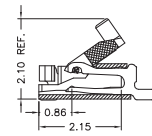
0.50mm pitch FFC/FPC 90° Connector, ZIF, SMT TYPE, _____
Bottom Contact Style

Reference Informations:

- *Material: Pin: Phosphor Bronze/Gold-plated
- Solder Tabs: Phosphor Bronze/Gold-flash
- Housing: LCP,UL94V-0
- Actuator: Nylon 6T,UL94V-0



	F0504WR-S-30P						
	N	L	N	G2	G	00	R
①	②	③	④	⑤	⑥	⑦	
① N=Halogen Free ② Material: L=LCP ③ Color: N=Natural(Beige) ④ Plating code: G2=Gold-plated 3u" ⑤ Plating code: G=Gold-flash ⑥ Option code: 00=Standard ⑦ Packing code: R=Tape & Reel							



Ordering Information & Dimensions:

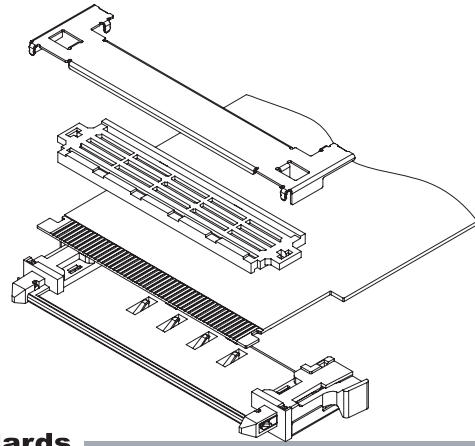
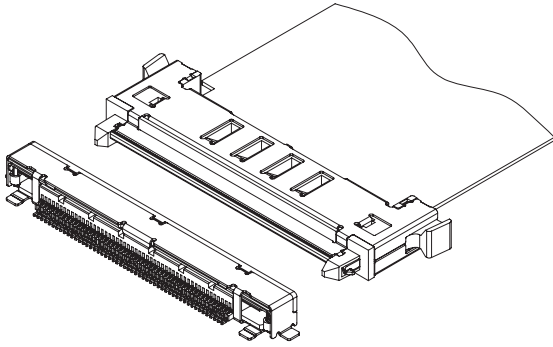
PART NO.	Dimensions		
	A	B	C
F0504WR-S-04P	1.50	4.00	2.57
F0504WR-S-06P	2.50	5.00	3.57
F0504WR-S-09P	4.00	6.50	5.07
F0504WR-S-12P	5.50	8.00	6.57
F0504WR-S-13P	6.00	8.50	7.07
F0504WR-S-17P	8.00	10.50	9.07
F0504WR-S-18P	8.50	11.00	9.57
F0504WR-S-20P	9.50	12.00	10.57
F0504WR-S-22P	10.50	13.00	11.57
F0504WR-S-24P	11.50	14.00	12.57
F0504WR-S-26P	12.50	15.00	13.57
F0504WR-S-27P	13.00	15.50	14.07
F0504WR-S-30P	14.50	17.00	15.57
F0504WR-S-40P	19.50	22.00	20.57
F0504WR-S-50P	24.50	27.00	25.57

Unit:mm

A
B
C
F
ST
HRJ
DC

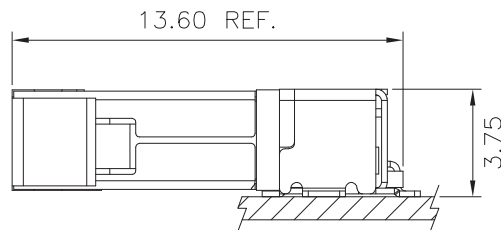
Specifications

Temperature range: -25°C ~ +85°C



Standards

Assembly layout



Ordering code

① F0506 ② H ③ A ④ -51P ⑤ -5

- ① Series No.
- ② H=Housing
- ③ A=Lock type
- ④ No. of circuits
- ⑤ Option code:
Blank=Normal type
-5=Type 5
-C=Cap for Normal type
-C5=Cap for Type 5

① TC ② F0506HA ③ -T ④ -51P ⑤ -QS0

- ① Category code
- ② Series No.
- ③ T=Top cover
- ④ No. of circuits
- ⑤ Material code

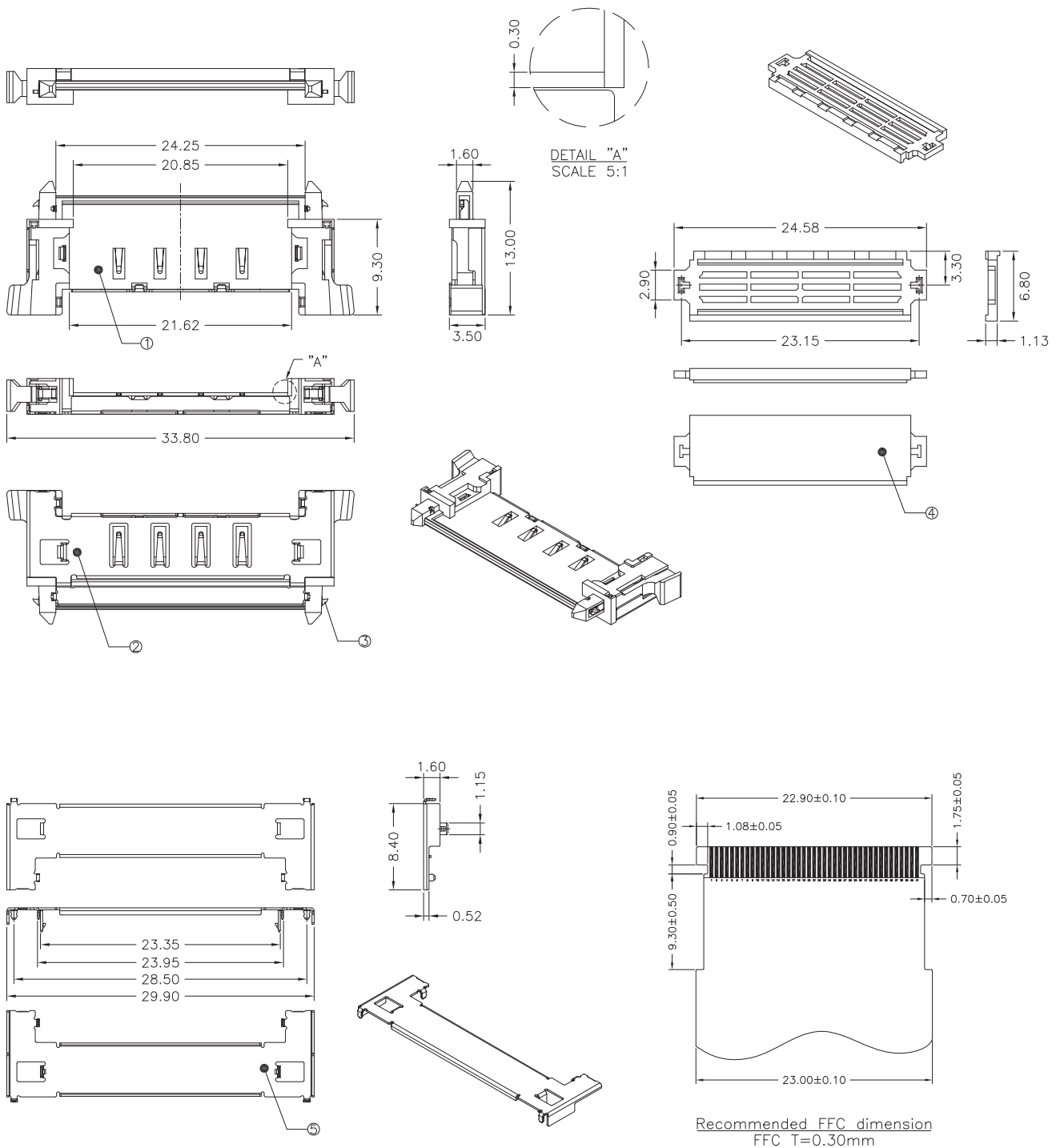
F0506 SERIES

0.50mm pitch FFC connector(Assembly parts)

F0506HA-41P

0.50mm pitch Connector For FFC

Reference Informations:



A
B
C
F
ST
HRJ
DC

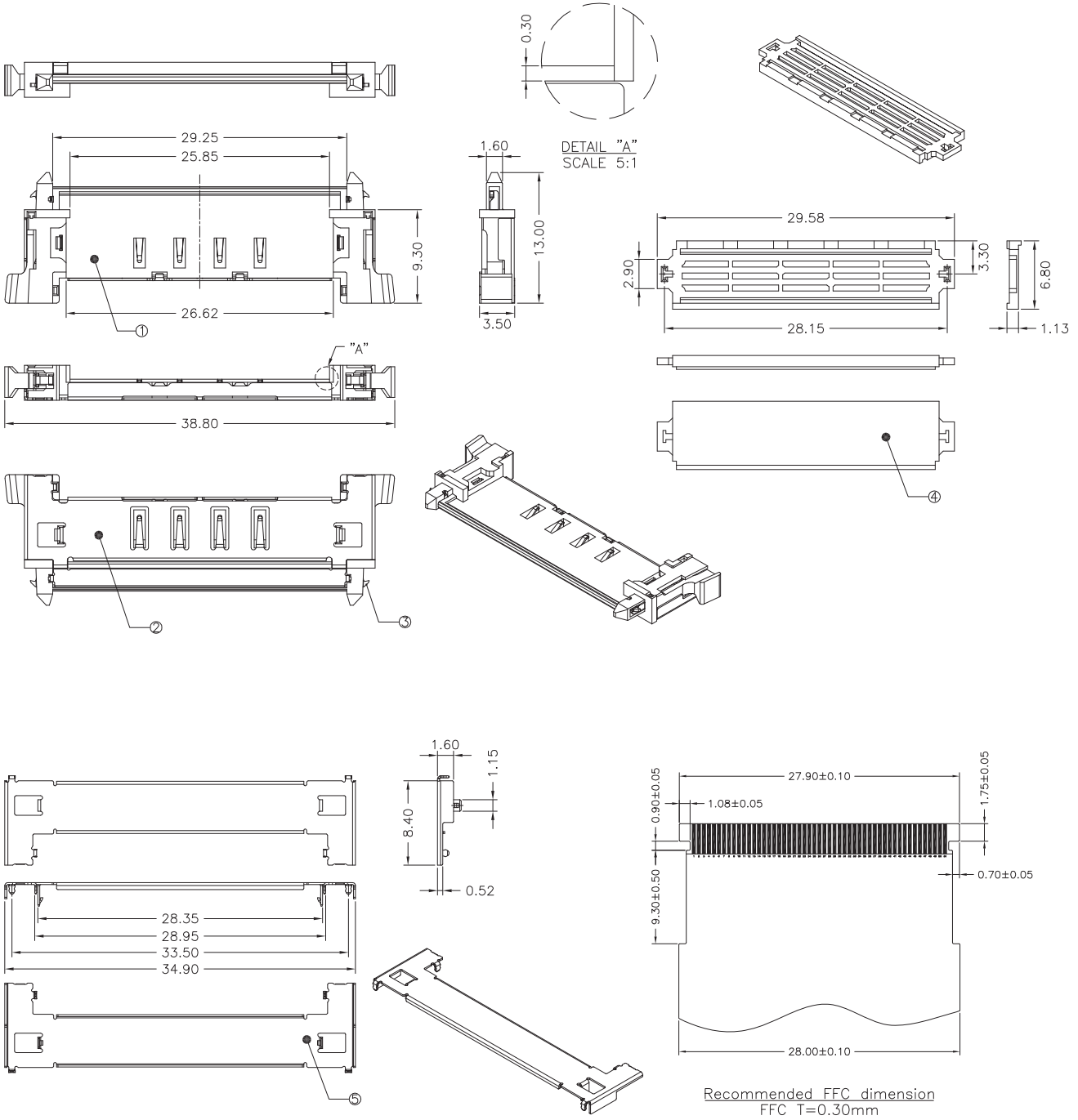
No.	Part No.	Description	Material	Color
1	F0506HA-41P	Insulator	Nylon 46,UL94V-0	Black
2		Ground plate	Stainless	-----
3		Lock lever	Stainless	-----
4	F0506HA-41P-C	Cap	Nylon 46,UL94V-0	Black
5	TCF0506HA-T-41P-QS0	Top cover	Stainless	-----

Unit:mm

F0506HA-51P

Reference Informations:

A
B
C
F
ST
HRJ
DC



No.	Part No.	Description	Material	Color
1	F0506HA-51P	Insulator	Nylon 46,UL94V-0	Black
2		Ground plate	Stainless	-----
3		Lock lever	Stainless	-----
4	F0506HA-51P-C	Cap	Nylon 46,UL94V-0	Black
5	TCF0506HA-T-51P-QS0	Top cover	Stainless	-----

Unit:mm

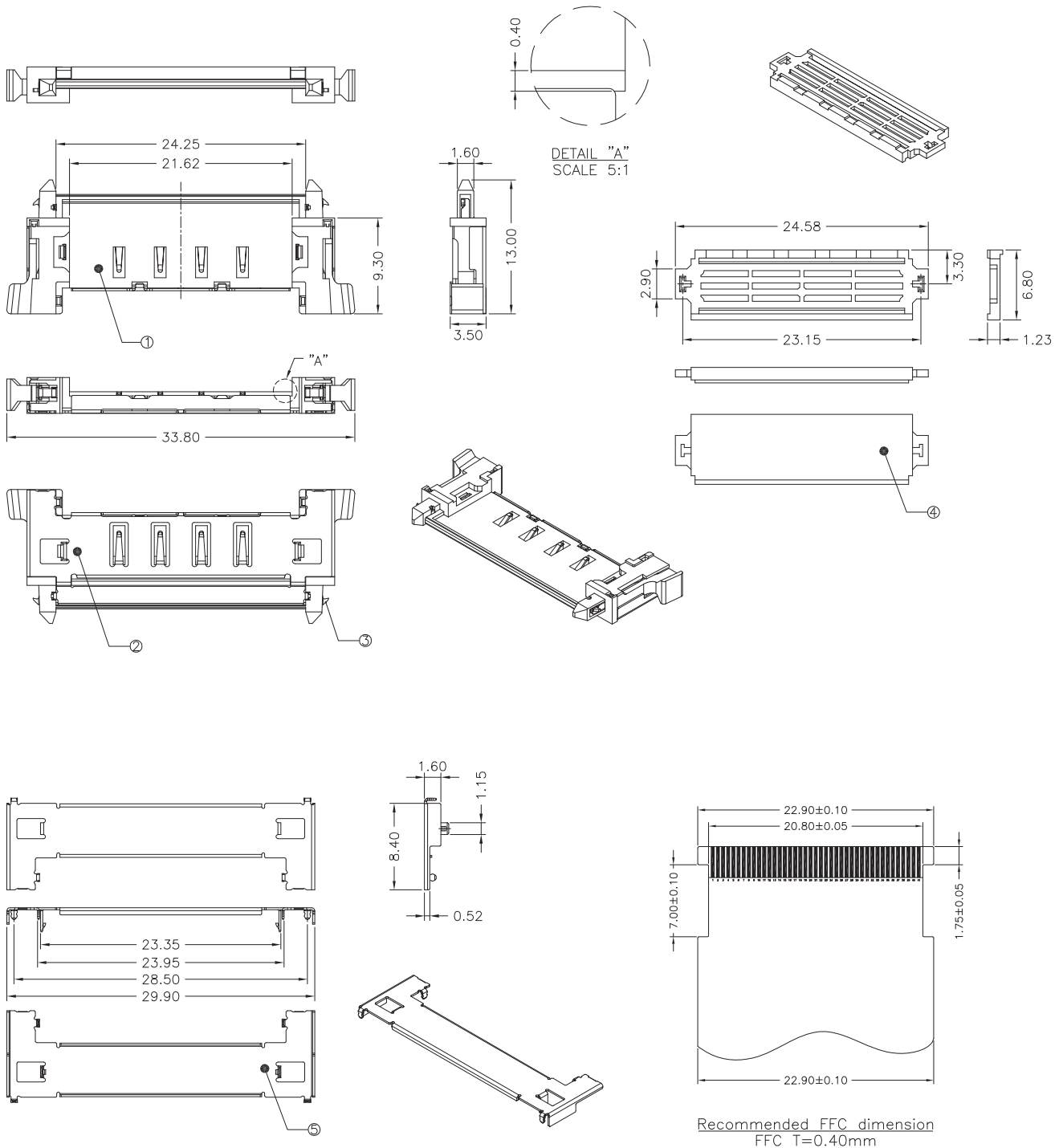
F0506 SERIES

0.50mm pitch FFC connector(Assembly parts)

F0506HA-41P-5

0.50mm pitch Connector For FFC

Reference Informations:



A
B
C
F
ST
HRJ
DC

No.	Part No.	Description	Material	Color
1	F0506HA-41P-5	Insulator	Nylon 46,UL94V-0	Black
2		Ground plate	Stainless	-----
3		Lock lever	Stainless	-----
4	F0506HA-41P-C5	Cap	Nylon 46,UL94V-0	Black
5	TCF0506HA-T-41P-QS0	Top cover	Stainless	-----

Unit:mm

F0506 SERIES

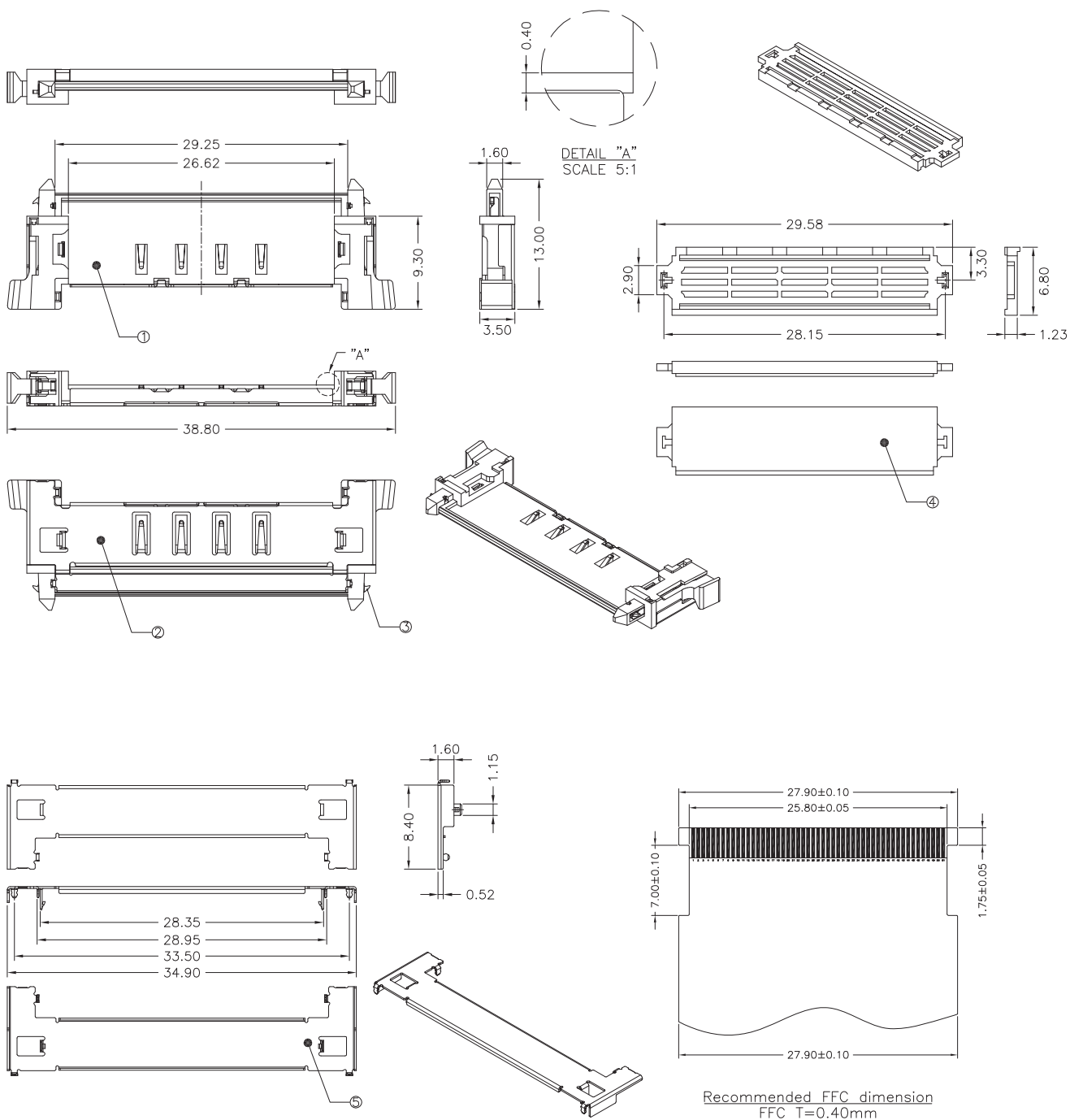
0.50mm pitch FFC connector(Assembly parts)

F0506HA-51P-5

0.50mm pitch Connector For FFC

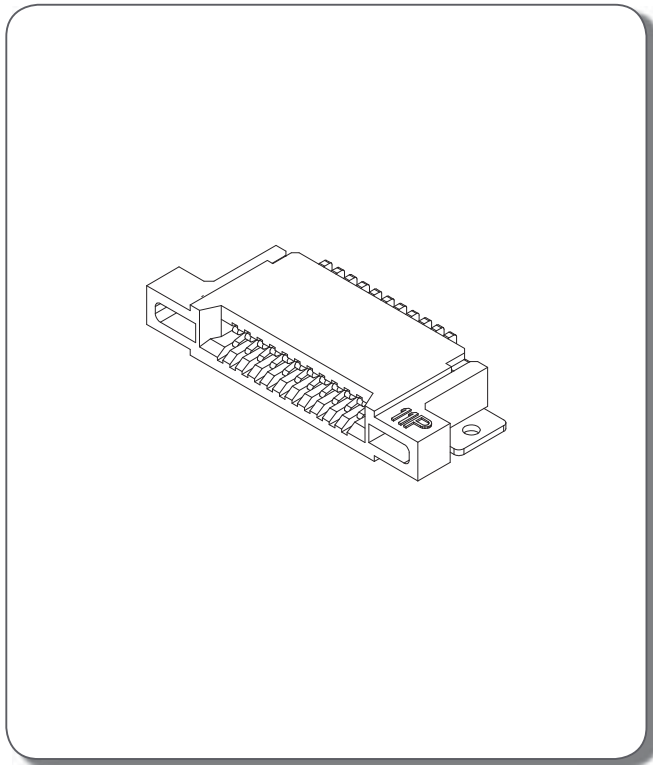
Reference Informations:

A
B
C
F
ST
HRJ
DC



No.	Part No.	Description	Material	Color
1	F0506HA-51P-5	Insulator	Nylon 46,UL94V-0	Black
2		Ground plate	Stainless	-----
3		Lock lever	Stainless	-----
4	F0506HA-51P-C5	Cap	Nylon 46,UL94V-0	Black
5	TCF0506HA-T-51P-QS0	Top cover	Stainless	-----

Unit:mm



Specifications

Current rating: 0.5A AC,DC
Voltage rating: 50V AC,DC
Temperature range: -25°C ~ +85°C
Contact resistance: 30mΩ Max.
Insulation resistance: 100MΩ Min.
Withstanding voltage: 250V AC/minute

A
B
C
F
ST
HRJ
DC

Ordering code

① ② ③ ④
F0507 WR-S-05P

- ① Series No.
- ② Connector type: WR=Right angle
- ③ Mounting type: S=SMT
- ④ No. of circuits

*

F0507WR-S

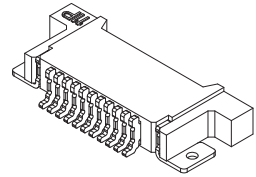
—0.50mm pitch FFC/FPC 90° Connector, NON-ZIF, SMT TYPE—

Reference Informations:

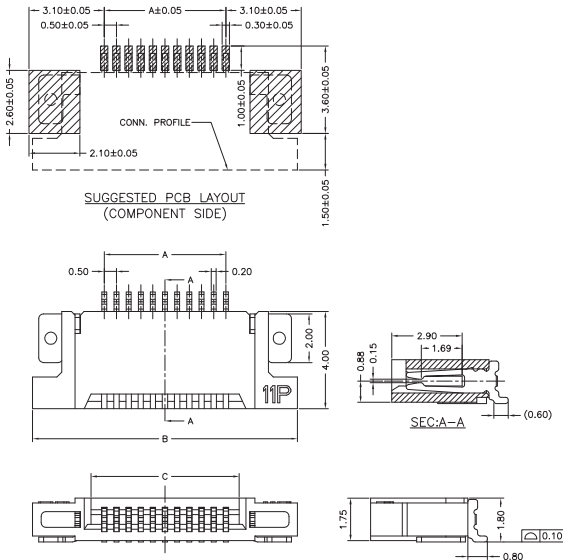
*Material: Pin: Phosphor Bronze/Tin-plated
Solder Tabs: Brass/Tin-plated
Wafer: LCP,UL94V-0

F0507WR-S-05P N L N T1 T 00 R
① ② ③ ④ ⑤ ⑥ ⑦

- ① N=Halogen Free
- ② Material: L=LCP
- ③ Color: N=Natural(Beige)
- ④ Plating code: T1=Tin-plated
- ⑤ Plating code: T=Tin-plated
- ⑥ Option code: 00=Standard
- ⑦ Packing code: R=Tape & Reel



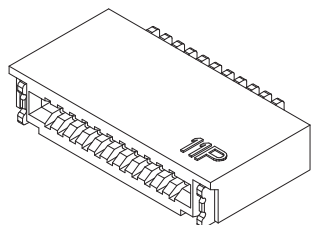
A
B
C
F
ST
HRJ
DC



Ordering Information & Dimensions:

PART NO.	Dimensions			PART NO.	Dimensions		
	A	B	C		A	B	C
F0507WR-S-04P	1.50	7.40	2.60	F0507WR-S-28P	13.50	19.40	14.60
F0507WR-S-05P	2.00	7.90	3.10	F0507WR-S-29P	14.00	19.90	15.10
F0507WR-S-06P	2.50	8.40	3.60	F0507WR-S-30P	14.50	20.40	15.60
F0507WR-S-07P	3.00	8.90	4.10	F0507WR-S-31P	15.00	20.90	16.10
F0507WR-S-08P	3.50	9.40	4.60	F0507WR-S-32P	15.50	21.40	16.60
F0507WR-S-09P	4.00	9.90	5.10	F0507WR-S-33P	16.00	21.90	17.10
F0507WR-S-10P	4.50	10.40	5.60	F0507WR-S-34P	16.50	22.40	17.60
F0507WR-S-11P	5.00	10.90	6.10	F0507WR-S-35P	17.00	22.90	18.10
F0507WR-S-12P	5.50	11.40	6.60	F0507WR-S-36P	17.50	23.40	18.60
F0507WR-S-13P	6.00	11.90	7.10	F0507WR-S-37P	18.00	23.90	19.10
F0507WR-S-14P	6.50	12.40	7.60	F0507WR-S-38P	18.50	24.40	19.60
F0507WR-S-15P	7.00	12.90	8.10	F0507WR-S-39P	19.00	24.90	20.10
F0507WR-S-16P	7.50	13.40	8.60	F0507WR-S-40P	19.50	25.40	20.60
F0507WR-S-17P	8.00	13.90	9.10	F0507WR-S-41P	20.00	25.90	21.10
F0507WR-S-18P	8.50	14.40	9.60	F0507WR-S-43P	21.00	26.90	22.10
F0507WR-S-19P	9.00	14.90	10.10	F0507WR-S-45P	22.00	27.90	23.10
F0507WR-S-20P	9.50	15.40	10.60	F0507WR-S-47P	23.00	28.90	24.10
F0507WR-S-21P	10.00	15.90	11.10	F0507WR-S-49P	24.00	29.90	25.10
F0507WR-S-22P	10.50	16.40	11.60	F0507WR-S-51P	25.00	30.90	26.10
F0507WR-S-23P	11.00	16.90	12.10	F0507WR-S-53P	26.00	31.90	27.10
F0507WR-S-24P	11.50	17.40	12.60	F0507WR-S-55P	27.00	32.90	28.10
F0507WR-S-25P	12.00	17.90	13.10	F0507WR-S-57P	28.00	33.90	29.10
F0507WR-S-26P	12.50	18.40	13.60	F0507WR-S-59P	29.00	34.90	30.10
F0507WR-S-27P	13.00	18.90	14.10	F0507WR-S-61P	30.00	35.90	31.10

Unit:mm



Specifications

Current rating: 0.5A AC,DC
Voltage rating: 50V AC,DC
Temperature range: -25°C ~ +85°C
Contact resistance: 30mΩ Max.
Insulation resistance: 100MΩ Min.
Withstanding voltage: 250V AC/minute

A
B
C
F
ST
HRJ
DC

Ordering code

① ② ③ ④
F0508 WR-S-05P

- ① Series No.
- ② Connector type: WR=Right angle
- ③ Mounting type: S=SMT
- ④ No. of circuits



F0508WR-S

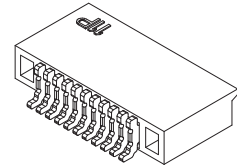
—0.50mm pitch FFC/FPC 90° Connector, NON-ZIF, SMT TYPE—

Reference Informations:

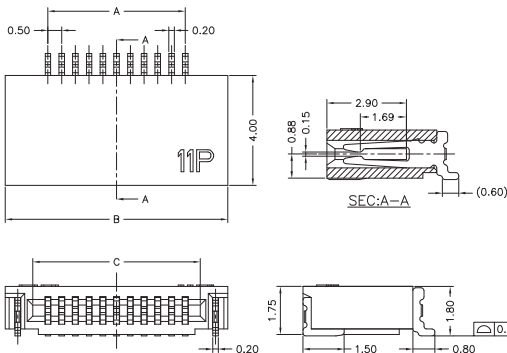
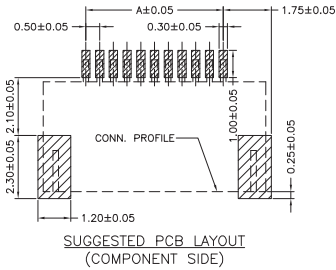
- *Material: Pin: Phosphor Bronze/Tin-plated
- Solder Tabs: Brass/Tin-plated
- Wafer: LCP,UL94V-0

	F0508WR-S-05P						
	N	L	N	T1	T	00	R
①	②	③	④	⑤	⑥	⑦	

- ① N=Halogen Free
- ② Material: L=LCP
- ③ Color: N=Natural(Beige)
- ④ Plating code: T1=Tin-plated
- ⑤ Plating code: T=Tin-plated
- ⑥ Option code: 00=Standard
- ⑦ Packing code: R=Tape & Reel



A
B
C
F
ST
HRJ
DC

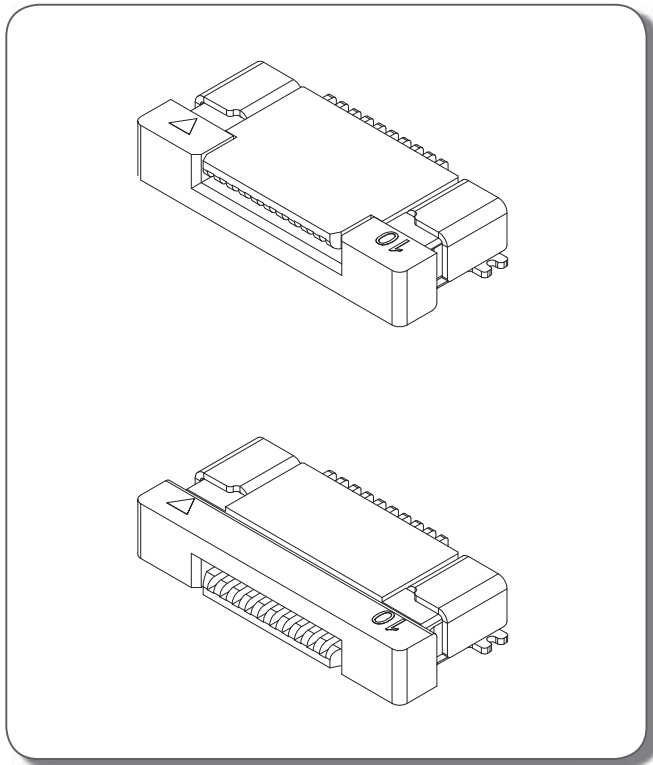


Ordering Information & Dimensions:

PART NO.	Dimensions			PART NO.	Dimensions		
	A	B	C		A	B	C
F0508WR-S-04P	1.50	4.60	2.60	F0508WR-S-29P	14.00	17.10	15.10
F0508WR-S-05P	2.00	5.10	3.10	F0508WR-S-30P	14.50	17.60	15.60
F0508WR-S-06P	2.50	5.60	3.60	F0508WR-S-31P	15.00	18.10	16.10
F0508WR-S-07P	3.00	6.10	4.10	F0508WR-S-32P	15.50	18.60	16.60
F0508WR-S-08P	3.50	6.60	4.60	F0508WR-S-33P	16.00	19.10	17.10
F0508WR-S-09P	4.00	7.10	5.10	F0508WR-S-34P	16.50	19.60	17.60
F0508WR-S-10P	4.50	7.60	5.60	F0508WR-S-35P	17.00	20.10	18.10
F0508WR-S-11P	5.00	8.10	6.10	F0508WR-S-36P	17.50	20.60	18.60
F0508WR-S-12P	5.50	8.60	6.60	F0508WR-S-37P	18.00	21.10	19.10
F0508WR-S-13P	6.00	9.10	7.10	F0508WR-S-38P	18.50	21.60	19.60
F0508WR-S-14P	6.50	9.60	7.60	F0508WR-S-39P	19.00	22.10	20.10
F0508WR-S-15P	7.00	10.10	8.10	F0508WR-S-40P	19.50	22.60	20.60
F0508WR-S-16P	7.50	10.60	8.60	F0508WR-S-41P	20.00	23.10	21.10
F0508WR-S-17P	8.00	11.10	9.10	F0508WR-S-43P	21.00	24.10	22.10
F0508WR-S-18P	8.50	11.60	9.60	F0508WR-S-45P	22.00	25.10	23.10
F0508WR-S-19P	9.00	12.10	10.10	F0508WR-S-47P	23.00	26.10	24.10
F0508WR-S-20P	9.50	12.60	10.60	F0508WR-S-49P	24.00	27.10	25.10
F0508WR-S-21P	10.00	13.10	11.10	F0508WR-S-51P	25.00	28.10	26.10
F0508WR-S-22P	10.50	13.60	11.60	F0508WR-S-53P	26.00	29.10	27.10
F0508WR-S-23P	11.00	14.10	12.10	F0508WR-S-55P	27.00	30.10	28.10
F0508WR-S-24P	11.50	14.60	12.60	F0508WR-S-57P	28.00	31.10	29.10
F0508WR-S-25P	12.00	15.10	13.10	F0508WR-S-59P	29.00	32.10	30.10
F0508WR-S-26P	12.50	15.60	13.60	F0508WR-S-61P	30.00	33.10	31.10
F0508WR-S-27P	13.00	16.10	14.10	F0508WR-S-63P	31.00	34.10	32.10
F0508WR-S-28P	13.50	16.60	14.60	F0508WR-S-65P	32.00	35.10	33.10

Unit:mm





Specifications

Current rating: 0.5A AC,DC
Voltage rating: 50V AC,DC
Temperature range: -25°C ~ +85°C
Contact resistance: 30mΩ Max.
Insulation resistance: 100MΩ Min.
Withstanding voltage: 250V AC/minute

A
B
C
F
ST
HRJ
DC

Ordering code

① ② ③ ④ ⑤
F0509 WR-S-30P T

- ① Series No.
- ② Connector type: WR=Right angle
- ③ Mounting type: S=SMT
- ④ No. of circuits
- ⑤ Option code:
T=Top contact style
B=Bottom contact style

F0509 SERIES

0.50mm pitch FFC/FPC connector

F0509WR-S

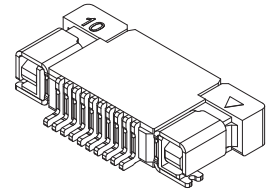
0.50mm pitch FFC/FPC 90° Connector, ZIF, SMT TYPE, Top Contact Style

Reference Informations:

*Material: Pin: Phosphor Bronze/Gold-flash
Solder Tabs: Brass/Gold-flash
Housing: Nylon 6T, UL94V-0
Actuator: Nylon 6T, UL94V-0

F0509WR-S-30P	N	L	N	G1	G	T0	R
	①	②	③	④	⑤	⑥	⑦

① N=Halogen Free
② Material: L=LCP
③ Color: N=Natural(Beige)
④ Plating code: G1=Gold-flash
⑤ Plating code: G=Gold-flash
⑥ Option code: T0=Top contact
⑦ Packing code: R=Tape & Reel



Ordering Information & Dimensions:

PART NO.	Dimensions			PART NO.	Dimensions		
	A	B	C		A	B	C
F0509WR-S-04PT	1.50	7.70	2.60	F0509WR-S-24PT	11.50	17.70	12.60
F0509WR-S-05PT	2.00	8.20	3.10	F0509WR-S-25PT	12.00	18.20	13.10
F0509WR-S-06PT	2.50	8.70	3.60	F0509WR-S-26PT	12.50	18.70	13.60
F0509WR-S-07PT	3.00	9.20	4.10	F0509WR-S-27PT	13.00	19.20	14.10
F0509WR-S-08PT	3.50	9.70	4.60	F0509WR-S-28PT	13.50	19.70	14.60
F0509WR-S-09PT	4.00	10.20	5.10	F0509WR-S-29PT	14.00	20.20	15.10
F0509WR-S-10PT	4.50	10.70	5.60	F0509WR-S-30PT	14.50	20.70	15.60
F0509WR-S-11PT	5.00	11.20	6.10	F0509WR-S-31PT	15.00	21.20	16.10
F0509WR-S-12PT	5.50	11.70	6.60	F0509WR-S-32PT	15.50	21.70	16.60
F0509WR-S-13PT	6.00	12.20	7.10	F0509WR-S-33PT	16.00	22.20	17.10
F0509WR-S-14PT	6.50	12.70	7.60	F0509WR-S-34PT	16.50	22.70	17.60
F0509WR-S-15PT	7.00	13.20	8.10	F0509WR-S-35PT	17.00	23.20	18.10
F0509WR-S-16PT	7.50	13.70	8.60	F0509WR-S-36PT	17.50	23.70	18.60
F0509WR-S-17PT	8.00	14.20	9.10	F0509WR-S-37PT	18.00	24.20	19.10
F0509WR-S-18PT	8.50	14.70	9.60	F0509WR-S-38PT	18.50	24.70	19.60
F0509WR-S-19PT	9.00	15.20	10.10	F0509WR-S-39PT	19.00	25.20	20.10
F0509WR-S-20PT	9.50	15.70	10.60	F0509WR-S-40PT	19.50	25.70	20.60
F0509WR-S-21PT	10.00	16.20	11.10	F0509WR-S-45PT	22.00	28.20	23.10
F0509WR-S-22PT	10.50	16.70	11.60	F0509WR-S-50PT	24.50	30.70	25.60
F0509WR-S-23PT	11.00	17.20	12.10				

Unit:mm

F0509WR-S

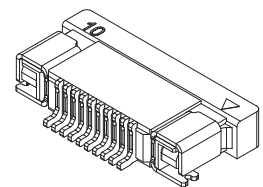
0.50mm pitch FFC/FPC 90° Connector, ZIF, SMT TYPE, Bottom Contact Style

Reference Informations:

*Material: Pin: Phosphor Bronze/Gold-flash
Solder Tabs: Brass/Gold-flash
Housing: Nylon 6T, UL94V-0
Actuator: Nylon 6T, UL94V-0

F0509WR-S-30P	N	L	N	G1	G	B0	R
	①	②	③	④	⑤	⑥	⑦

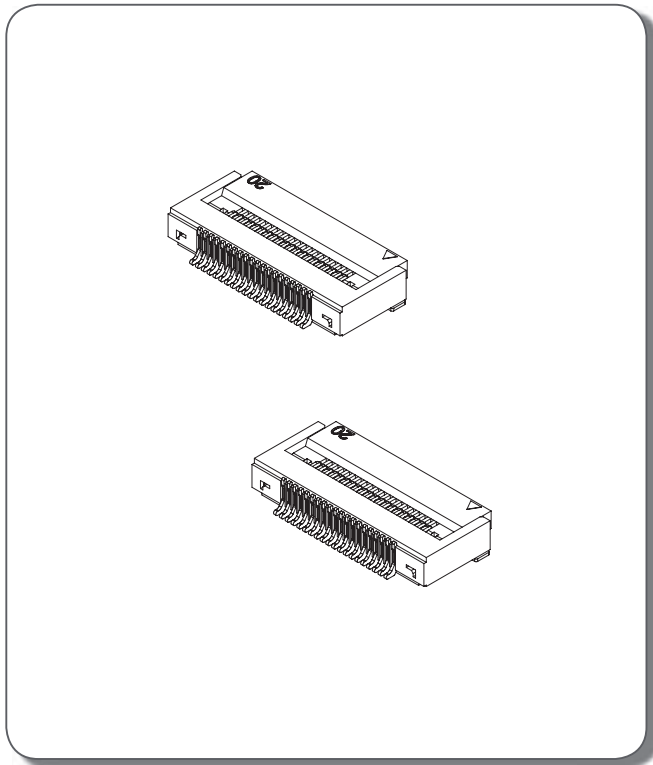
① N=Halogen Free
② Material: L=LCP
③ Color: N=Natural(Beige)
④ Plating code: G1=Gold-flash
⑤ Plating code: G=Gold-flash
⑥ Option code: B0=Bottom contact
⑦ Packing code: R=Tape & Reel



Ordering Information & Dimensions:

PART NO.	Dimensions			PART NO.	Dimensions		
	A	B	C		A	B	C
F0509WR-S-04PB	1.50	7.70	2.60	F0509WR-S-24PB	11.50	17.70	12.60
F0509WR-S-05PB	2.00	8.20	3.10	F0509WR-S-25PB	12.00	18.20	13.10
F0509WR-S-06PB	2.50	8.70	3.60	F0509WR-S-26PB	12.50	18.70	13.60
F0509WR-S-07PB	3.00	9.20	4.10	F0509WR-S-27PB	13.00	19.20	14.10
F0509WR-S-08PB	3.50	9.70	4.60	F0509WR-S-28PB	13.50	19.70	14.60
F0509WR-S-09PB	4.00	10.20	5.10	F0509WR-S-29PB	14.00	20.20	15.10
F0509WR-S-10PB	4.50	10.70	5.60	F0509WR-S-30PB	14.50	20.70	15.60
F0509WR-S-11PB	5.00	11.20	6.10	F0509WR-S-31PB	15.00	21.20	16.10
F0509WR-S-12PB	5.50	11.70	6.60	F0509WR-S-32PB	15.50	21.70	16.60
F0509WR-S-13PB	6.00	12.20	7.10	F0509WR-S-33PB	16.00	22.20	17.10
F0509WR-S-14PB	6.50	12.70	7.60	F0509WR-S-34PB	16.50	22.70	17.60
F0509WR-S-15PB	7.00	13.20	8.10	F0509WR-S-35PB	17.00	23.20	18.10
F0509WR-S-16PB	7.50	13.70	8.60	F0509WR-S-36PB	17.50	23.70	18.60
F0509WR-S-17PB	8.00	14.20	9.10	F0509WR-S-37PB	18.00	24.20	19.10
F0509WR-S-18PB	8.50	14.70	9.60	F0509WR-S-38PB	18.50	24.70	19.60
F0509WR-S-19PB	9.00	15.20	10.10	F0509WR-S-39PB	19.00	25.20	20.10
F0509WR-S-20PB	9.50	15.70	10.60	F0509WR-S-40PB	19.50	25.70	20.60
F0509WR-S-21PB	10.00	16.20	11.10	F0509WR-S-45PB	22.00	28.20	23.10
F0509WR-S-22PB	10.50	16.70	11.60	F0509WR-S-50PB	24.50	30.70	25.60
F0509WR-S-23PB	11.00	17.20	12.10				

Unit:mm



Specifications

Current rating: 0.5A AC,DC
Voltage rating: 50V AC,DC
Temperature range: -25°C ~ +85°C
Contact resistance: 30mΩ Max.
Insulation resistance: 100MΩ Min.
Withstanding voltage: 250V AC/minute

A
B
C
F
ST
HRJ
DC

Ordering code

① ② ③ ④ ⑤
F0513 WR-S-XP D01

- ① Series No.
- ② Connector type: WR=Right angle
- ③ Mounting type: S=SMT
- ④ No. of circuits
- ⑤ Option code:
D01=Gold-flash, Taping reel

F0513 SERIES

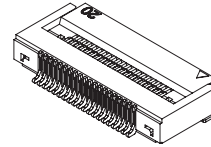
0.50mm pitch FFC/FPC connector

F0513WR-S

0.50mm pitch FFC/FPC connector, 90° SMT TYPE
Bottom Contact Style

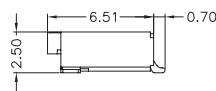
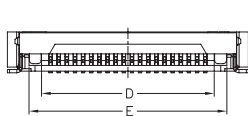
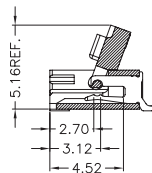
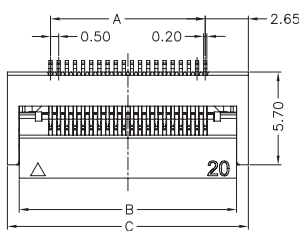
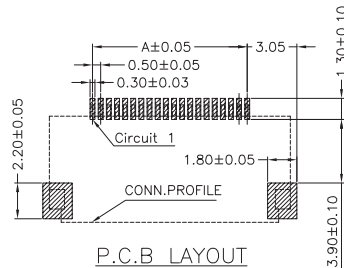
Reference Informations:

- *Material: Contacts: Phosphor Bronze/Gold-plated
- Solder Tabs: Brass/Matte Tin-plated
- Housing: LCP,UL94V-0
- Cover: LCP,UL94V-0



HF	F0513WR-S-20P	N	L	N	G2	T	00	L
		①	②	③	④	⑤	⑥	⑦

① N=Halogen Free
② Material: L=LCP
③ Color: N=Natural(Beige)
④ Plating code for contacts: G2=Gold-plated
⑤ Plating code for Solder Tabs: T=Matte Tin-plated
⑥ Option code: 00=Standard
⑦ Packing code: L=Tape & Reel(with Mylar)



Ordering Information & Dimensions:

PART NO.	Dimensions				
	A	B	C	D	E
F0513WR-S-20P	9.50	13.35	14.80	10.60	12.15
F0513WR-S-30P	14.50	18.35	19.80	15.60	17.15
F0513WR-S-40P	19.50	23.35	24.80	20.60	22.15
F0513WR-S-50P	24.50	28.35	29.80	25.60	27.15
F0513WR-S-55P	27.00	30.85	32.30	28.10	29.65
F0513WR-S-60P	29.50	33.35	34.80	30.60	32.15
F0513WR-S-64P	31.50	35.35	36.80	32.60	34.15
F0513WR-S-68P	33.50	37.35	38.80	34.60	36.15
F0513WR-S-80P	39.50	43.35	44.80	40.60	42.15

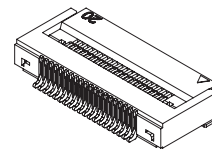
Unit:mm

F0513WRA-S

0.50mm pitch FFC/FPC connector, 90° SMT TYPE
Bottom Contact Style

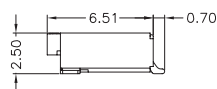
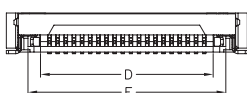
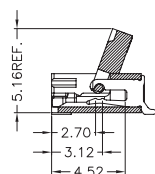
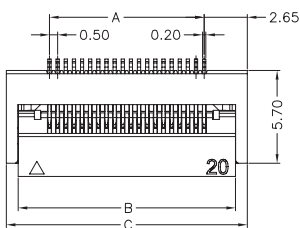
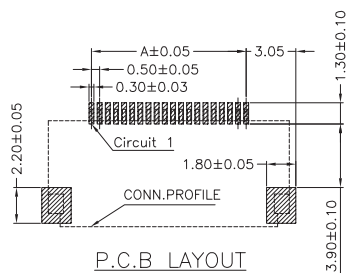
Reference Informations:

- *Material: Contacts: Phosphor Bronze/Gold-plated
- Solder Tabs: Brass/Matte Tin-plated
- Housing: LCP,UL94V-0
- Cover: LCP,UL94V-0



HF	F0513WRA-S-20P	N	L	N	XX	T	00	L
		①	②	③	④	⑤	⑥	⑦

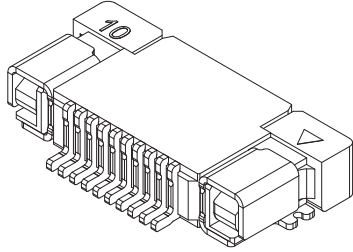
① N=Halogen Free
② Material: L=LCP
③ Color: N=Natural(Beige)
④ Plating code for contacts: G2=Gold-plated, T1=Tin-plated
⑤ Plating code for Solder Tabs: T=Matte Tin-plated
⑥ Option code: 00=Standard
⑦ Packing code: L=Tape & Reel(with Mylar)



Ordering Information & Dimensions:

PART NO.	Dimensions				
	A	B	C	D	E
F0513WRA-S-20P	9.50	13.35	14.80	10.60	12.15
F0513WRA-S-30P	14.50	18.35	19.80	15.60	17.15
F0513WRA-S-40P	19.50	23.35	24.80	20.60	22.15
F0513WRA-S-50P	24.50	28.35	29.80	25.60	27.15
F0513WRA-S-55P	27.00	30.85	32.30	28.10	29.65
F0513WRA-S-60P	29.50	33.35	34.80	30.60	32.15
F0513WRA-S-64P	31.50	35.35	36.80	32.60	34.15
F0513WRA-S-68P	33.50	37.35	38.80	34.60	36.15
F0513WRA-S-80P	39.50	43.35	44.80	40.60	42.15

Unit:mm



Specifications

Current rating: 0.5A AC,DC
Voltage rating: 50V AC,DC
Temperature range: -25°C ~ +85°C
Contact resistance: 30mΩ Max.
Insulation resistance: 100MΩ Min.
Withstanding voltage: 250V AC/minute

A
B
C
F
ST
HRJ
DC

Ordering code

① ② ③ ④ ⑤
F0514 WR-S-XP T

- ① Series No.
- ② Connector type: WR=Right angle
- ③ Mounting type: S=SMT
- ④ No. of circuits
- ⑤ Option code:
T=Top contact style
B=Bottom contact style

F0514 SERIES

0.50mm pitch FFC/FPC connector

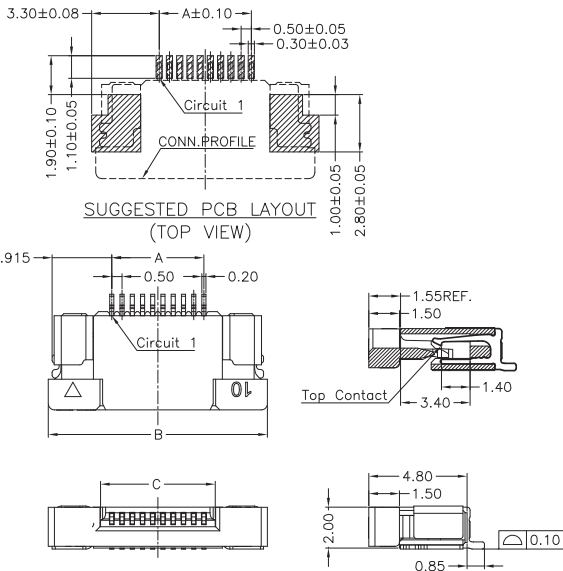
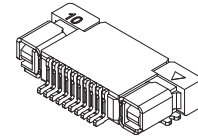
F0514WR-S

0.50mm pitch FFC/FPC Connector, 90° SMT TYPE, ZIF, Top Contact Style

Reference Informations:

- *Material: Pin: Phosphor Bronze/Gold-flash
- Solder Tabs: Brass/Gold-flash
- Housing: Nylon 6T,UL94V-0
- Cover: Nylon 6T,UL94V-0

	F0514 WR-S-XP XXX				
	①	②	③	④	⑤
	① Series No.				
	② Connector type: WR=Right angle				
	③ Mounting type: S=SMT without boss				
④ No. of circuits					
⑤ Option code:					
T=Top contact style					



Ordering Information & Dimensions:

PART NO.	Dimensions			PART NO.	Dimensions		
	A	B	C		A	B	C
F0514WR-S-04PT	1.50	7.70	2.60	F0514WR-S-24PT	11.50	17.70	12.60
F0514WR-S-05PT	2.00	8.20	3.10	F0514WR-S-25PT	12.00	18.20	13.10
F0514WR-S-06PT	2.50	8.70	3.60	F0514WR-S-26PT	12.50	18.70	13.60
F0514WR-S-07PT	3.00	9.20	4.10	F0514WR-S-27PT	13.00	19.20	14.10
F0514WR-S-08PT	3.50	9.70	4.60	F0514WR-S-28PT	13.50	19.70	14.60
F0514WR-S-09PT	4.00	10.20	5.10	F0514WR-S-29PT	14.00	20.20	15.10
F0514WR-S-10PT	4.50	10.70	5.60	F0514WR-S-30PT	14.50	20.70	15.60
F0514WR-S-11PT	5.00	11.20	6.10	F0514WR-S-31PT	15.00	21.20	16.10
F0514WR-S-12PT	5.50	11.70	6.60	F0514WR-S-32PT	15.50	21.70	16.60
F0514WR-S-13PT	6.00	12.20	7.10	F0514WR-S-33PT	16.00	22.20	17.10
F0514WR-S-14PT	6.50	12.70	7.60	F0514WR-S-34PT	16.50	22.70	17.60
F0514WR-S-15PT	7.00	13.20	8.10	F0514WR-S-35PT	17.00	23.20	18.10
F0514WR-S-16PT	7.50	13.70	8.60	F0514WR-S-36PT	17.50	23.70	18.60
F0514WR-S-17PT	8.00	14.20	9.10	F0514WR-S-37PT	18.00	24.20	19.10
F0514WR-S-18PT	8.50	14.70	9.60	F0514WR-S-38PT	18.50	24.70	19.60
F0514WR-S-19PT	9.00	15.20	10.10	F0514WR-S-39PT	19.00	25.20	20.10
F0514WR-S-20PT	9.50	15.70	10.60	F0514WR-S-40PT	19.50	25.70	20.60
F0514WR-S-21PT	10.00	16.20	11.10	F0514WR-S-41PT	20.00	26.20	21.10
F0514WR-S-22PT	10.50	16.70	11.60	F0514WR-S-45PT	22.00	28.20	23.10
F0514WR-S-23PT	11.00	17.20	12.10	F0514WR-S-50PT	24.50	30.70	25.60

Unit:mm

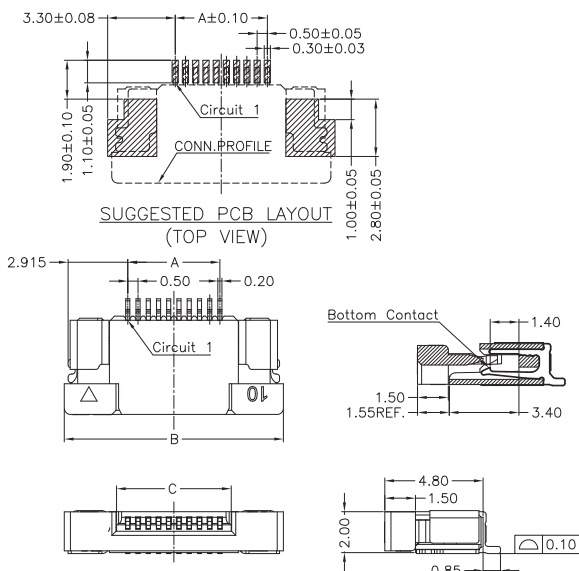
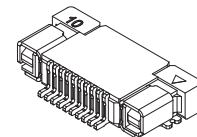
F0514WR-S

0.50mm pitch FFC/FPC Connector,90° SMT TYPE, ZIF Bottom Contact Style

Reference Informations:

- *Material: Pin: Phosphor Bronze/Gold-flash
- Solder Tabs: Brass/Gold-flash
- Housing: Nylon 6T,UL94V-0
- Cover: Nylon 6T,UL94V-0

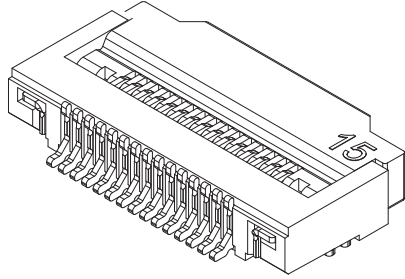
	F0514 WR-S-XP XXX				
	①	②	③	④	⑤
	① Series No.				
	② Connector type: WR=Right angle				
	③ Mounting type: S=SMT without boss				
④ No. of circuits					
⑤ Option code:					
B=Bottom contact style					



Ordering Information & Dimensions:

PART NO.	Dimensions			PART NO.	Dimensions		
	A	B	C		A	B	C
F0514WR-S-04PB	1.50	7.70	2.60	F0514WR-S-24PB	11.50	17.70	12.60
F0514WR-S-05PB	2.00	8.20	3.10	F0514WR-S-25PB	12.00	18.20	13.10
F0514WR-S-06PB	2.50	8.70	3.60	F0514WR-S-26PB	12.50	18.70	13.60
F0514WR-S-07PB	3.00	9.20	4.10	F0514WR-S-27PB	13.00	19.20	14.10
F0514WR-S-08PB	3.50	9.70	4.60	F0514WR-S-28PB	13.50	19.70	14.60
F0514WR-S-09PB	4.00	10.20	5.10	F0514WR-S-29PB	14.00	20.20	15.10
F0514WR-S-10PB	4.50	10.70	5.60	F0514WR-S-30PB	14.50	20.70	15.60
F0514WR-S-11PB	5.00	11.20	6.10	F0514WR-S-31PB	15.00	21.20	16.10
F0514WR-S-12PB	5.50	11.70	6.60	F0514WR-S-32PB	15.50	21.70	16.60
F0514WR-S-13PB	6.00	12.20	7.10	F0514WR-S-33PB	16.00	22.20	17.10
F0514WR-S-14PB	6.50	12.70	7.60	F0514WR-S-34PB	16.50	22.70	17.60
F0514WR-S-15PB	7.00	13.20	8.10	F0514WR-S-35PB	17.00	23.20	18.10
F0514WR-S-16PB	7.50	13.70	8.60	F0514WR-S-36PB	17.50	23.70	18.60
F0514WR-S-17PB	8.00	14.20	9.10	F0514WR-S-37PB	18.00	24.20	19.10
F0514WR-S-18PB	8.50	14.70	9.60	F0514WR-S-38PB	18.50	24.70	19.60
F0514WR-S-19PB	9.00	15.20	10.10	F0514WR-S-39PB	19.00	25.20	20.10
F0514WR-S-20PB	9.50	15.70	10.60	F0514WR-S-40PB	19.50	25.70	20.60
F0514WR-S-21PB	10.00	16.20	11.10	F0514WR-S-41PB	20.00	26.20	21.10
F0514WR-S-22PB	10.50	16.70	11.60	F0514WR-S-45PB	22.00	28.20	23.10
F0514WR-S-23PB	11.00	17.20	12.10	F0514WR-S-50PB	24.50	30.70	25.60

Unit:mm



Specifications

Current rating: 0.5A AC,DC
Voltage rating: 50V AC,DC
Temperature range: -25°C ~ +85°C
Contact resistance: 30mΩ Max.
Insulation resistance: 100MΩ Min.
Withstanding voltage: 250V AC/minute

A
B
C
F
ST
HRJ
DC

Ordering code

① ② ③ ④ ⑤
F0515 WR-S-XP D01

- ① Series No.
- ② Connector type: WR=Right angle
- ③ Mounting type: S=SMT
- ④ No. of circuits
- ⑤ Option code:
D01=Gold-flash, Taping reel

F0515WR-S

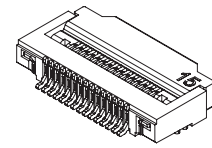
0.50mm pitch FFC/FPC Connector, 90° SMT TYPE, ZIF, Bottom Contact Style

Reference Informations:

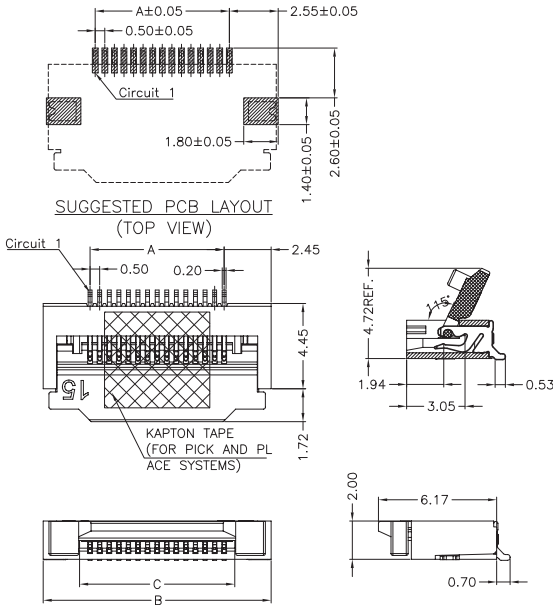
- *Material: Pin: Phosphor Bronze/Gold-flash
- Solder Tabs: Brass/Tin-plated
- Housing: LCP,UL94V-0
- Cover: LCP,UL94V-0

HFE F0515WR-S-15P N L N XX X 00 L

① N=Halogen Free
 ② Material: L=LCP
 ③ Color: N=Natural(Beige)
 ④ Option code: T1=Matte Tin-plated, G1=Gold-flash
 ⑤ Option code: T=Matte Tin-plated, G=Gold-flash
 ⑥ Option code: 00=Standard
 ⑦ Packing code: L=Tape & Reel(with Mylar)



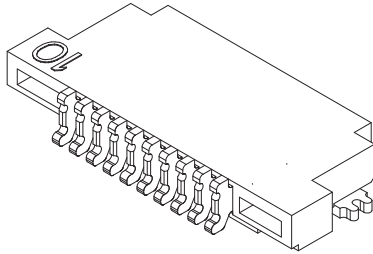
A
B
C
F
ST
HRJ
DC



Ordering Information & Dimensions:

PART NO.	Dimensions			PART NO.	Dimensions		
	A	B	C		A	B	C
F0515WR-S-04P	1.50	6.40	2.60	F0515WR-S-27P	13.00	17.90	14.10
F0515WR-S-06P	2.50	7.40	3.60	F0515WR-S-28P	13.50	18.40	14.60
F0515WR-S-07P	3.00	7.90	4.10	F0515WR-S-29P	14.00	18.90	15.10
F0515WR-S-08P	3.50	8.40	4.60	F0515WR-S-30P	14.50	19.40	15.60
F0515WR-S-09P	4.00	8.90	5.10	F0515WR-S-31P	15.00	19.90	16.10
F0515WR-S-10P	4.50	9.40	5.60	F0515WR-S-32P	15.50	20.40	16.60
F0515WR-S-11P	5.00	9.90	6.10	F0515WR-S-33P	16.00	20.90	17.10
F0515WR-S-12P	5.50	10.40	6.60	F0515WR-S-34P	16.50	21.40	17.60
F0515WR-S-13P	6.00	10.90	7.10	F0515WR-S-35P	17.00	21.90	18.10
F0515WR-S-14P	6.50	11.40	7.60	F0515WR-S-36P	17.50	22.40	18.60
F0515WR-S-15P	7.00	11.90	8.10	F0515WR-S-37P	18.00	22.90	19.10
F0515WR-S-16P	7.50	12.40	8.60	F0515WR-S-38P	18.50	23.40	19.60
F0515WR-S-17P	8.00	12.90	9.10	F0515WR-S-39P	19.00	23.90	20.10
F0515WR-S-18P	8.50	13.40	9.60	F0515WR-S-40P	19.50	24.40	20.60
F0515WR-S-19P	9.00	13.90	10.10	F0515WR-S-42P	20.50	25.40	21.60
F0515WR-S-20P	9.50	14.40	10.60	F0515WR-S-45P	22.00	26.90	23.10
F0515WR-S-21P	10.00	14.90	11.10	F0515WR-S-46P	22.50	27.40	23.60
F0515WR-S-22P	10.50	15.40	11.60	F0515WR-S-49P	24.00	28.90	25.10
F0515WR-S-23P	11.00	15.90	12.10	F0515WR-S-50P	24.50	29.40	25.60
F0515WR-S-24P	11.50	16.40	12.60	F0515WR-S-54P	26.50	31.40	27.60
F0515WR-S-25P	12.00	16.90	13.10	F0515WR-S-55P	27.00	31.90	28.10
F0515WR-S-26P	12.50	17.40	13.60	F0515WR-S-60P	29.50	34.40	30.60

Unit:mm



Specifications

Current rating: 0.5A AC,DC
Voltage rating: 50V AC,DC
Temperature range: -25°C ~ +85°C
Contact resistance: 30mΩ Max.
Insulation resistance: 500MΩ Min.
Withstanding voltage: 500V AC/minute

A

B

C

F

ST

HRJ

DC

Ordering code

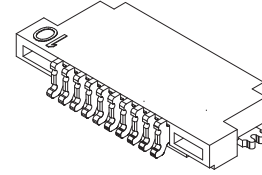
① ② ③ ④ ⑤
F0516 WR-S-XP D01

- ① Series No.
- ② Connector type: WR=Right angle
- ③ Mounting type: S=SMT
- ④ No. of circuits
- ⑤ Option code:
D01=Gold-flash, Taping reel

F0516WR-S — 0.50mm pitch FFC/FPC connector, 90° SMT TYPE NON-ZIF —

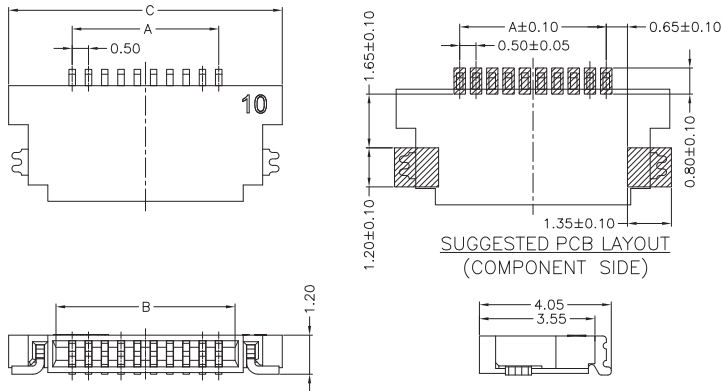
Reference Informations:

- *Material: Contacts: Phosphor Bronze/Gold-plated
- Solder Tabs: Brass/Matte Tin-plated
- Housing: LCP,UL94V-0



F0516WR-S-10P N L N G1 T 00 R
 ① ② ③ ④ ⑤ ⑥ ⑦

- ① N=Halogen Free
- ② Material: L=LCP
- ③ Color: N=Natural(Beige)
- ④ Plating code for contacts: G1=Gold-plated
- ⑤ Plating code for Solder Tabs: T=Matte Tin-plated
- ⑥ Option code: 00=Standard
- ⑦ Packing code: R=Tape & Reel(without Cap or Mylar)



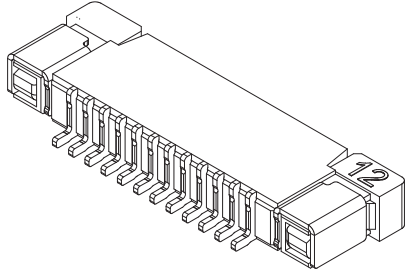
Ordering Information & Dimensions:

PART NO.	Dimensions		
	A	B	C
F0516WR-S-05P	2.00	3.00	5.90
F0516WR-S-06P	2.50	3.50	6.40
F0516WR-S-07P	3.00	4.00	6.90
F0516WR-S-08P	3.50	4.50	7.40
F0516WR-S-10P	4.50	5.50	8.40
F0516WR-S-11P	5.00	6.00	8.90
F0516WR-S-12P	5.50	6.50	9.40
F0516WR-S-14P	6.50	7.50	10.40
F0516WR-S-16P	7.50	8.50	11.40
F0516WR-S-18P	8.50	9.50	12.40
F0516WR-S-20P	9.50	10.50	13.40
F0516WR-S-25P	12.00	13.00	15.90

Unit:mm

Specifications

Current rating: 0.5A AC,DC
Voltage rating: 30V AC,DC
Temperature range: -25°C ~ +85°C
Contact resistance: 20mΩ Max.
Insulation resistance: 100MΩ Min.
Withstanding voltage: 200V AC/minute



A
B
C
F
ST
HRJ
DC

Ordering code

① ② ③ ④ ⑤
F0801 WR-S-XP T

- ① Series No.
- ② Connector type: WR=Right angle
- ③ Mounting type: S=SMT
- ④ No. of circuits
- ⑤ Option code:
 - T=Top contact style
 - B=Bottom contact style

F0801 SERIES

0.80mm pitch FFC/FPC connector

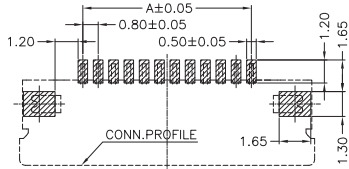
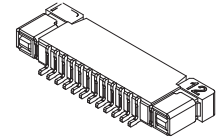
F0801WR-S

0.80mm pitch FFC/FPC Connector, 90° SMT TYPE, ZIF
TOP Contact Style

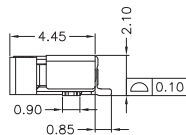
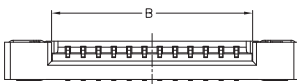
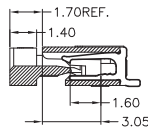
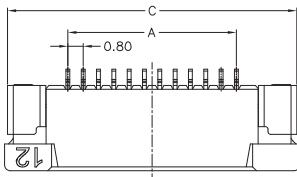
Reference Informations:

- *Material: Pin: Phosphor Bronze/Matte Tin-plated
- Solder Tabs: Brass/Matte Tin-plated
- Housing: LCP, UL94V-0
- Cover: Nylon 6T, UL94V-0

F0801WR-S-12P		N	L	N	T1	T	T0	L
		①	②	③	④	⑤	⑥	⑦
①	N=Halogen Free							
②	Material: L=LCP							
③	Color: N=Natural(Beige)							
④	Option code: T1=Matte Tin-plated							
⑤	Option code: T=Matte Tin-plated							
⑥	Option code: T0=Top contact pin							
⑦	Packing code: R=Tape & Reel(without Cap or Mylar)							



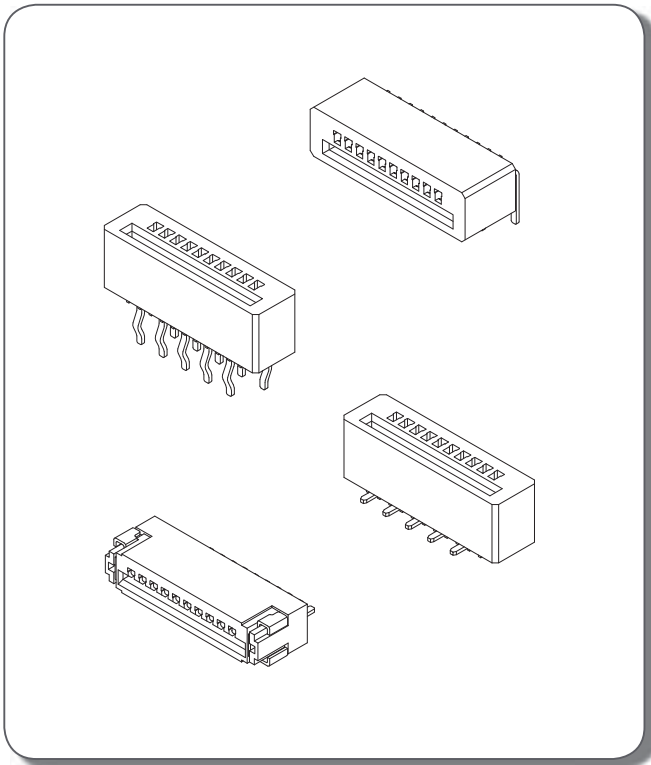
SUGGESTED PCB LAYOUT
(TOP VIEW)



Ordering Information & Dimensions:

PART NO.	Dimensions			PART NO.	Dimensions		
	A	B	C		A	B	C
F0801WR-S-04P	2.40	4.10	8.70	F0801WR-S-23P	17.60	19.30	23.90
F0801WR-S-05P	3.20	4.90	9.50	F0801WR-S-24P	18.40	20.10	24.70
F0801WR-S-06P	4.00	5.70	10.30	F0801WR-S-25P	19.20	20.90	25.50
F0801WR-S-07P	4.80	6.50	11.10	F0801WR-S-26P	20.00	21.70	26.30
F0801WR-S-08P	5.60	7.30	11.90	F0801WR-S-27P	20.80	22.50	27.10
F0801WR-S-09P	6.40	8.10	12.70	F0801WR-S-28P	21.60	23.30	27.90
F0801WR-S-10P	7.20	8.90	13.50	F0801WR-S-29P	22.40	24.10	28.70
F0801WR-S-11P	8.00	9.70	14.30	F0801WR-S-30P	23.20	24.90	29.50
F0801WR-S-12P	8.80	10.50	15.10	F0801WR-S-31P	24.00	25.70	30.30
F0801WR-S-13P	9.60	11.30	15.90	F0801WR-S-32P	24.80	26.50	31.10
F0801WR-S-14P	10.40	12.10	16.70	F0801WR-S-33P	25.60	27.30	31.90
F0801WR-S-15P	11.20	12.90	17.50	F0801WR-S-34P	26.40	28.10	32.70
F0801WR-S-16P	12.00	13.70	18.30	F0801WR-S-35P	27.20	28.90	33.50
F0801WR-S-17P	12.80	14.50	19.10	F0801WR-S-36P	28.00	29.70	34.30
F0801WR-S-18P	13.60	15.30	19.90	F0801WR-S-37P	28.80	30.50	35.10
F0801WR-S-19P	14.40	16.10	20.70	F0801WR-S-38P	29.60	31.30	35.90
F0801WR-S-20P	15.20	16.90	21.50	F0801WR-S-39P	30.40	32.10	36.70
F0801WR-S-21P	16.00	17.70	22.30	F0801WR-S-40P	31.20	32.90	37.50
F0801WR-S-22P	16.80	18.50	23.10	F0801WR-S-41P	32.00	33.70	38.30

Unit:mm



Specifications

Current rating: 0.5A AC,DC
 Voltage rating: 50V AC,DC
 Temperature range: -25°C ~ +85°C
 Contact resistance: 30mΩ Max.
 Insulation resistance: 500MΩ Min.
 Withstanding voltage: 500V AC/minute

A
 B
 C
F
 ST
 HRJ
 DC

Ordering code

① F1000 ② WV ③ -S ④ -05P

- ① Series No.
- ② Connector type: WV=Vertical
- ③ Mounting type: Blank=Through hole
-S=SMT without boss
- ④ No. of circuits

① F1000 ② WR ③ -S ④ -05P ⑤ T

- ① Series No.
- ② Connector type: WR=Right angle
- ③ Mounting type: Blank=Through hole
-S=SMT without boss
- ④ No. of circuits
- ⑤ Option code:
T=Top contact style



F1000 SERIES

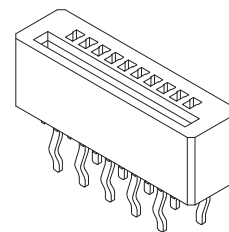
1.00mm pitch FFC/FPC connector, NON-ZIF

F1000WV

1.00mm pitch FFC/FPC 180° Connector, NON-ZIF

Reference Informations:

*Material: Pin: Phosphor Bronze/Tin-plated
Wafer: Nylon 9T,UL94V-0



Ordering Information & Dimensions:

PART NO.	Dimensions		PART NO.	Dimensions	
	A	B		A	B
F1000WV-04P	3.00	7.80	F1000WV-20P	19.00	23.80
F1000WV-05P	4.00	8.80	F1000WV-21P	20.00	24.80
F1000WV-06P	5.00	9.80	F1000WV-22P	21.00	25.80
F1000WV-07P	6.00	10.80	F1000WV-23P	22.00	26.80
F1000WV-08P	7.00	11.80	F1000WV-24P	23.00	27.80
F1000WV-09P	8.00	12.80	F1000WV-25P	24.00	28.80
F1000WV-10P	9.00	13.80	F1000WV-26P	25.00	29.80
F1000WV-11P	10.00	14.80	F1000WV-27P	26.00	30.80
F1000WV-12P	11.00	15.80	F1000WV-28P	27.00	31.80
F1000WV-13P	12.00	16.80	F1000WV-29P	28.00	32.80
F1000WV-14P	13.00	17.80	F1000WV-30P	29.00	33.80
F1000WV-15P	14.00	18.80	F1000WV-31P	30.00	34.80
F1000WV-16P	15.00	19.80	F1000WV-32P	31.00	35.80
F1000WV-17P	16.00	20.80	F1000WV-33P	32.00	36.80
F1000WV-18P	17.00	21.80	F1000WV-34P	33.00	37.80
F1000WV-19P	18.00	22.80			

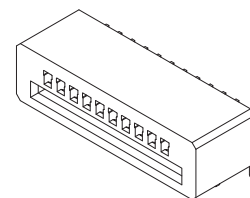
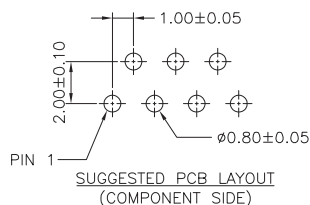
Unit:mm

F1000WR

1.00mm pitch FFC/FPC 180° Connector, NON-ZIF

Reference Informations:

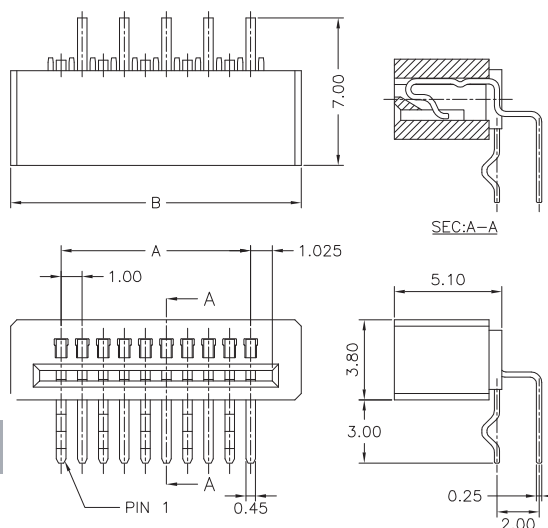
*Material: Pin: Phosphor Bronze/Tin-plated
Wafer: Nylon 9T,UL94V-0



Ordering Information & Dimensions:

PART NO.	Dimensions		PART NO.	Dimensions	
	A	B		A	B
F1000WR-04PT	3.00	7.80	F1000WR-20PT	19.00	23.80
F1000WR-05PT	4.00	8.80	F1000WR-21PT	20.00	24.80
F1000WR-06PT	5.00	9.80	F1000WR-22PT	21.00	25.80
F1000WR-07PT	6.00	10.80	F1000WR-23PT	22.00	26.80
F1000WR-08PT	7.00	11.80	F1000WR-24PT	23.00	27.80
F1000WR-09PT	8.00	12.80	F1000WR-25PT	24.00	28.80
F1000WR-10PT	9.00	13.80	F1000WR-26PT	25.00	29.80
F1000WR-11PT	10.00	14.80	F1000WR-27PT	26.00	30.80
F1000WR-12PT	11.00	15.80	F1000WR-28PT	27.00	31.80
F1000WR-13PT	12.00	16.80	F1000WR-29PT	28.00	32.80
F1000WR-14PT	13.00	17.80	F1000WR-30PT	29.00	33.80
F1000WR-15PT	14.00	18.80	F1000WR-31PT	30.00	34.80
F1000WR-16PT	15.00	19.80	F1000WR-32PT	31.00	35.80
F1000WR-17PT	16.00	20.80	F1000WR-33PT	32.00	36.80
F1000WR-18PT	17.00	21.80	F1000WR-34PT	33.00	37.80
F1000WR-19PT	18.00	22.80			

Unit:mm



F1000 SERIES

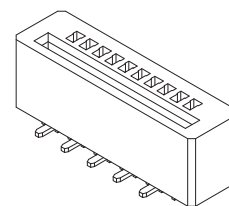
1.00mm pitch FFC/FPC connector

F1000WV-S

1.00mm pitch FFC/FPC 180° Connector, NON-ZIF, SMT TYPE

Reference Informations:

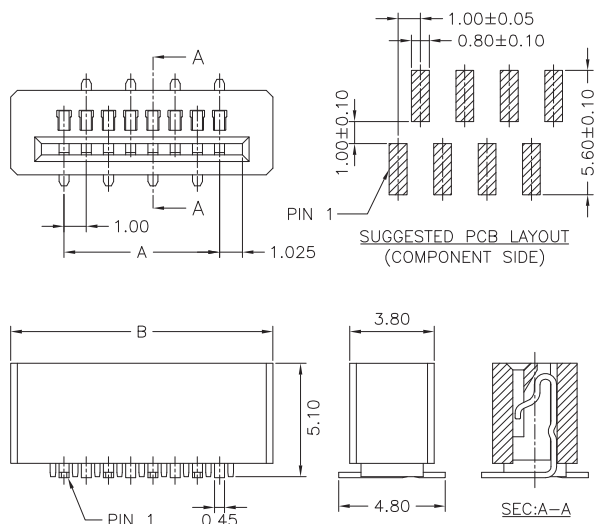
*Material: Pin: Phosphor Bronze/Tin-plated
Wafer: Nylon 9T,UL94V-0



Ordering Information & Dimensions:

PART NO.	Dimensions		PART NO.	Dimensions	
	A	B		A	B
F1000WV-S-04P	3.00	7.80	F1000WV-S-20P	19.00	23.80
F1000WV-S-05P	4.00	8.80	F1000WV-S-21P	20.00	24.80
F1000WV-S-06P	5.00	9.80	F1000WV-S-22P	21.00	25.80
F1000WV-S-07P	6.00	10.80	F1000WV-S-23P	22.00	26.80
F1000WV-S-08P	7.00	11.80	F1000WV-S-24P	23.00	27.80
F1000WV-S-09P	8.00	12.80	F1000WV-S-25P	24.00	28.80
F1000WV-S-10P	9.00	13.80	F1000WV-S-26P	25.00	29.80
F1000WV-S-11P	10.00	14.80	F1000WV-S-27P	26.00	30.80
F1000WV-S-12P	11.00	15.80	F1000WV-S-28P	27.00	31.80
F1000WV-S-13P	12.00	16.80	F1000WV-S-29P	28.00	32.80
F1000WV-S-14P	13.00	17.80	F1000WV-S-30P	29.00	33.80
F1000WV-S-15P	14.00	18.80	F1000WV-S-31P	30.00	34.80
F1000WV-S-16P	15.00	19.80	F1000WV-S-32P	31.00	35.80
F1000WV-S-17P	16.00	20.80	F1000WV-S-33P	32.00	36.80
F1000WV-S-18P	17.00	21.80	F1000WV-S-34P	33.00	37.80
F1000WV-S-19P	18.00	22.80			

Unit:mm



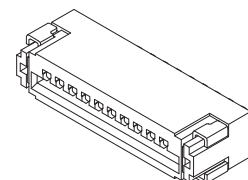
A
B
C
F
ST
HRJ
DC

F1000WR-S

1.00mm pitch FFC/FPC 90° Connector, NON-ZIF, SMT TYPE, Top Contact Style

Reference Informations:

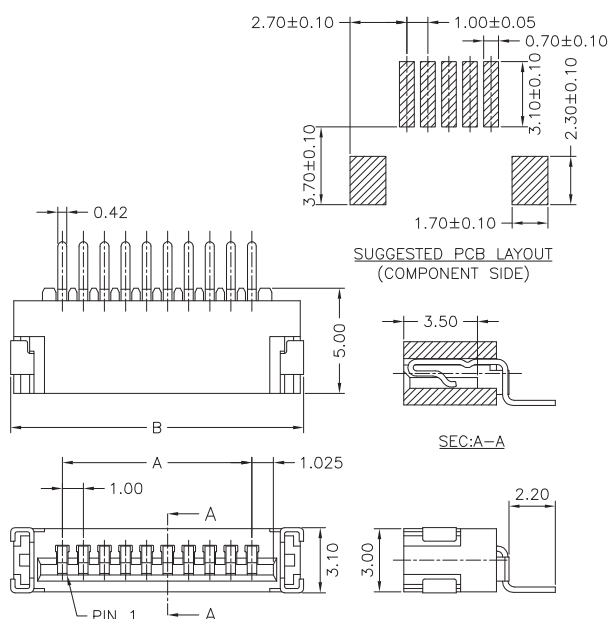
*Material: Pin: Phosphor Bronze/Tin-plated
Solder Tabs: Brass/Tin-plated
Wafer: Nylon 9T,UL94V-0



Ordering Information & Dimensions:

PART NO.	Dimensions		PART NO.	Dimensions	
	A	B		A	B
F1000WR-S-03PT	2.00	6.90	F1000WR-S-19PT	18.00	22.90
F1000WR-S-04PT	3.00	7.90	F1000WR-S-20PT	19.00	23.90
F1000WR-S-05PT	4.00	8.90	F1000WR-S-21PT	20.00	24.90
F1000WR-S-06PT	5.00	9.90	F1000WR-S-22PT	21.00	25.90
F1000WR-S-07PT	6.00	10.90	F1000WR-S-23PT	22.00	26.90
F1000WR-S-08PT	7.00	11.90	F1000WR-S-24PT	23.00	27.90
F1000WR-S-09PT	8.00	12.90	F1000WR-S-25PT	24.00	28.90
F1000WR-S-10PT	9.00	13.90	F1000WR-S-26PT	25.00	29.90
F1000WR-S-11PT	10.00	14.90	F1000WR-S-27PT	26.00	30.90
F1000WR-S-12PT	11.00	15.90	F1000WR-S-28PT	27.00	31.90
F1000WR-S-13PT	12.00	16.90	F1000WR-S-29PT	28.00	32.90
F1000WR-S-14PT	13.00	17.90	F1000WR-S-30PT	29.00	33.90
F1000WR-S-15PT	14.00	18.90	F1000WR-S-31PT	30.00	34.90
F1000WR-S-16PT	15.00	19.90	F1000WR-S-32PT	31.00	35.90
F1000WR-S-17PT	16.00	20.90	F1000WR-S-33PT	32.00	36.90
F1000WR-S-18PT	17.00	21.90	F1000WR-S-34PT	33.00	37.90

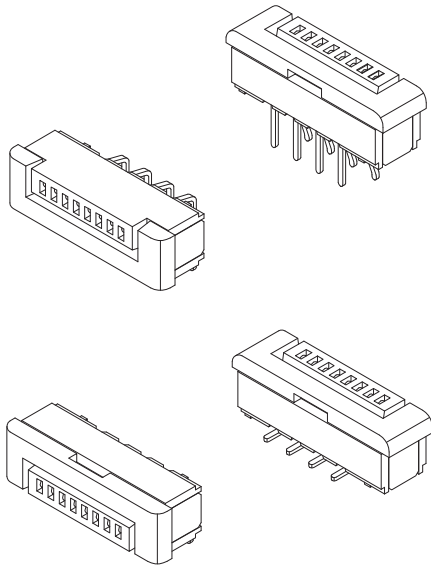
Unit:mm



*

Specifications

Current rating: 0.5A AC,DC
 Voltage rating: 50V AC,DC
 Temperature range: -25°C ~ +85°C
 Contact resistance: 30mΩ Max.
 Insulation resistance: 500MΩ Min.
 Withstanding voltage: 500V AC/minute



Ordering code

① F1002 ② WV ③ -S ④ -05P

- ① Series No.
- ② Connector type: WV=Vertical
- ③ Mounting type: Blank=Through hole
-S=SMT without boss
- ④ No. of circuits

① F1002 ② WR ③ -05P ④ T

- ① Series No.
- ② Connector type: WR=Right angle
- ③ No. of circuits
- ④ Option code:
T=Top contact style
B=Bottom contact style

A
B
C
F
ST
HRJ
DC

*

F1002 SERIES

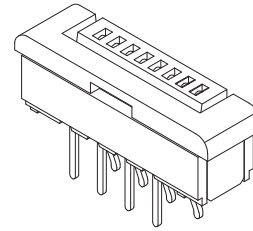
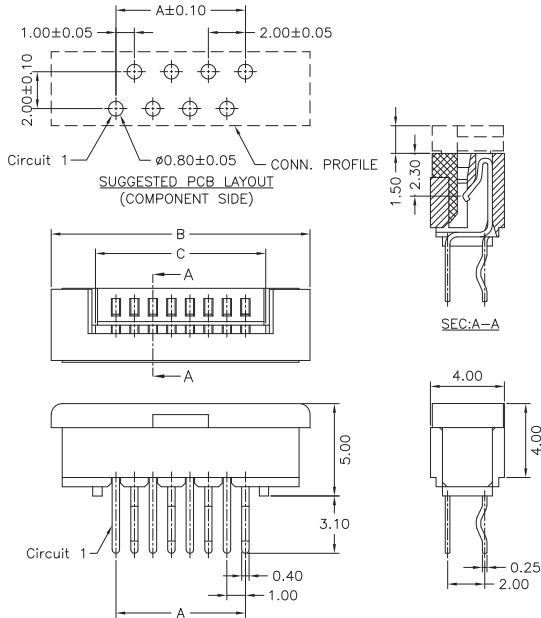
1.00mm pitch FFC/FPC connector

F1002WV

1.00mm pitch FFC/FPC 180° Connector, ZIF

Reference Informations:

- *Material: Pin: Phosphor Bronze/Tin-plated
- Housing: Nylon 46,UL94V-0
- Actuator: Nylon 46,UL94V-0



Ordering Information & Dimensions:

PART NO.	Dimensions			PART NO.	Dimensions		
	A	B	C		A	B	C
F1002WV-04P	3.00	10.00	5.20	F1002WV-19P	18.00	25.00	20.20
F1002WV-05P	4.00	11.00	6.20	F1002WV-20P	19.00	26.00	21.20
F1002WV-06P	5.00	12.00	7.20	F1002WV-21P	20.00	27.00	22.20
F1002WV-07P	6.00	13.00	8.20	F1002WV-22P	21.00	28.00	23.20
F1002WV-08P	7.00	14.00	9.20	F1002WV-23P	22.00	29.00	24.20
F1002WV-09P	8.00	15.00	10.20	F1002WV-24P	23.00	30.00	25.20
F1002WV-10P	9.00	16.00	11.20	F1002WV-25P	24.00	31.00	26.20
F1002WV-11P	10.00	17.00	12.20	F1002WV-26P	25.00	32.00	27.20
F1002WV-12P	11.00	18.00	13.20	F1002WV-27P	26.00	33.00	28.20
F1002WV-13P	12.00	19.00	14.20	F1002WV-28P	27.00	34.00	29.20
F1002WV-14P	13.00	20.00	15.20	F1002WV-29P	28.00	35.00	30.20
F1002WV-15P	14.00	21.00	16.20	F1002WV-30P	29.00	36.00	31.20
F1002WV-16P	15.00	22.00	17.20	F1002WV-31P	30.00	37.00	32.20
F1002WV-17P	16.00	23.00	18.20	F1002WV-32P	31.00	38.00	33.20
F1002WV-18P	17.00	24.00	19.20				

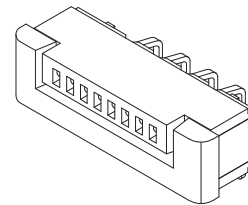
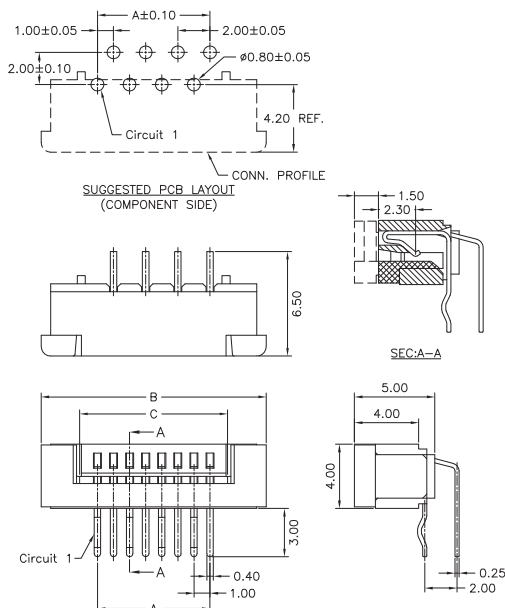
Unit:mm

F1002WR

1.00mm pitch FFC/FPC 90° Connector, ZIF, Top Contact Style

Reference Informations:

- *Material: Pin: Phosphor Bronze/Tin-plated
- Housing: Nylon 46,UL94V-0
- Actuator: Nylon 46,UL94V-0



Ordering Information & Dimensions:

PART NO.	Dimensions			PART NO.	Dimensions		
	A	B	C		A	B	C
F1002WR-04PT	3.00	10.00	5.20	F1002WR-19PT	18.00	25.00	20.20
F1002WR-05PT	4.00	11.00	6.20	F1002WR-20PT	19.00	26.00	21.20
F1002WR-06PT	5.00	12.00	7.20	F1002WR-21PT	20.00	27.00	22.20
F1002WR-07PT	6.00	13.00	8.20	F1002WR-22PT	21.00	28.00	23.20
F1002WR-08PT	7.00	14.00	9.20	F1002WR-23PT	22.00	29.00	24.20
F1002WR-09PT	8.00	15.00	10.20	F1002WR-24PT	23.00	30.00	25.20
F1002WR-10PT	9.00	16.00	11.20	F1002WR-25PT	24.00	31.00	26.20
F1002WR-11PT	10.00	17.00	12.20	F1002WR-26PT	25.00	32.00	27.20
F1002WR-12PT	11.00	18.00	13.20	F1002WR-27PT	26.00	33.00	28.20
F1002WR-13PT	12.00	19.00	14.20	F1002WR-28PT	27.00	34.00	29.20
F1002WR-14PT	13.00	20.00	15.20	F1002WR-29PT	28.00	35.00	30.20
F1002WR-15PT	14.00	21.00	16.20	F1002WR-30PT	29.00	36.00	31.20
F1002WR-16PT	15.00	22.00	17.20	F1002WR-31PT	30.00	37.00	32.20
F1002WR-17PT	16.00	23.00	18.20	F1002WR-32PT	31.00	38.00	33.20
F1002WR-18PT	17.00	24.00	19.20				

Unit:mm

A
B
C
F
ST
HRJ
DC

*

F1002 SERIES

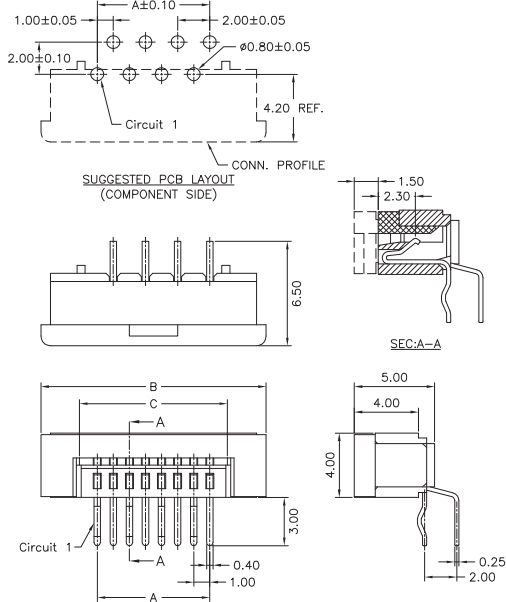
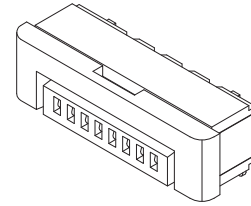
1.00mm pitch FFC/FPC connector

F1002WR

1.00mm pitch FFC/FPC 90° Connector, ZIF, Bottom Contact Style

Reference Informations:

*Material: Pin: Phosphor Bronze/Tin-plated
Housing: Nylon 46,UL94V-0
Actuator: Nylon 46,UL94V-0



Ordering Information & Dimensions:

PART NO.	Dimensions			PART NO.	Dimensions		
	A	B	C		A	B	C
F1002WR-04PB	3.00	10.00	5.20	F1002WR-19PB	18.00	25.00	20.20
F1002WR-05PB	4.00	11.00	6.20	F1002WR-20PB	19.00	26.00	21.20
F1002WR-06PB	5.00	12.00	7.20	F1002WR-21PB	20.00	27.00	22.20
F1002WR-07PB	6.00	13.00	8.20	F1002WR-22PB	21.00	28.00	23.20
F1002WR-08PB	7.00	14.00	9.20	F1002WR-23PB	22.00	29.00	24.20
F1002WR-09PB	8.00	15.00	10.20	F1002WR-24PB	23.00	30.00	25.20
F1002WR-10PB	9.00	16.00	11.20	F1002WR-25PB	24.00	31.00	26.20
F1002WR-11PB	10.00	17.00	12.20	F1002WR-26PB	25.00	32.00	27.20
F1002WR-12PB	11.00	18.00	13.20	F1002WR-27PB	26.00	33.00	28.20
F1002WR-13PB	12.00	19.00	14.20	F1002WR-28PB	27.00	34.00	29.20
F1002WR-14PB	13.00	20.00	15.20	F1002WR-29PB	28.00	35.00	30.20
F1002WR-15PB	14.00	21.00	16.20	F1002WR-30PB	29.00	36.00	31.20
F1002WR-16PB	15.00	22.00	17.20	F1002WR-31PB	30.00	37.00	32.20
F1002WR-17PB	16.00	23.00	18.20	F1002WR-32PB	31.00	38.00	33.20
F1002WR-18PB	17.00	24.00	19.20				

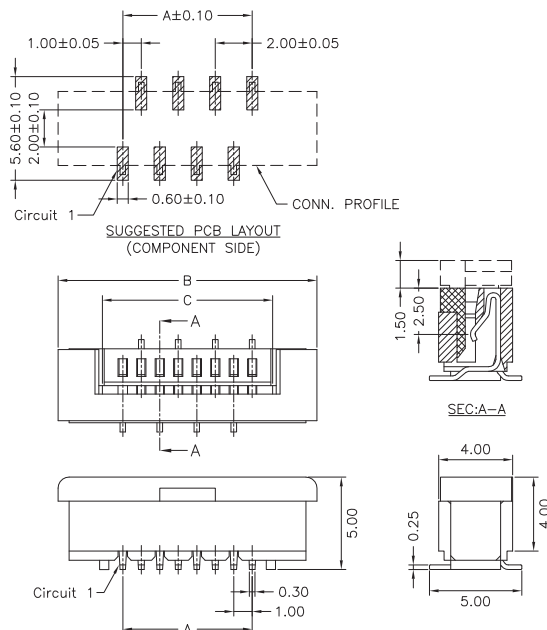
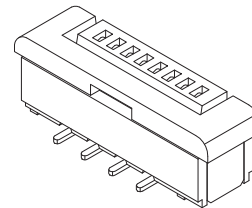
Unit:mm

F1002WV-S

1.00mm pitch FFC/FPC 180° Connector, ZIF, SMT TYPE

Reference Informations:

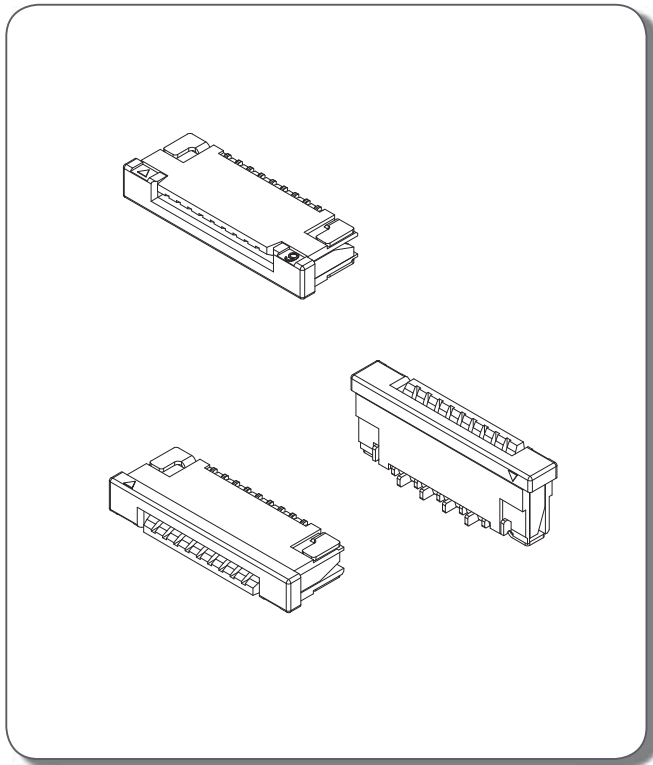
*Material: Pin: Phosphor Bronze/Tin-plated
Housing: Nylon 46,UL94V-0
Actuator: Nylon 46,UL94V-0



Ordering Information & Dimensions:

PART NO.	Dimensions			PART NO.	Dimensions		
	A	B	C		A	B	C
F1002WV-S-04P	3.00	10.00	5.20	F1002WV-S-19P	18.00	25.00	20.20
F1002WV-S-05P	4.00	11.00	6.20	F1002WV-S-20P	19.00	26.00	21.20
F1002WV-S-06P	5.00	12.00	7.20	F1002WV-S-21P	20.00	27.00	22.20
F1002WV-S-07P	6.00	13.00	8.20	F1002WV-S-22P	21.00	28.00	23.20
F1002WV-S-08P	7.00	14.00	9.20	F1002WV-S-23P	22.00	29.00	24.20
F1002WV-S-09P	8.00	15.00	10.20	F1002WV-S-24P	23.00	30.00	25.20
F1002WV-S-10P	9.00	16.00	11.20	F1002WV-S-25P	24.00	31.00	26.20
F1002WV-S-11P	10.00	17.00	12.20	F1002WV-S-26P	25.00	32.00	27.20
F1002WV-S-12P	11.00	18.00	13.20	F1002WV-S-27P	26.00	33.00	28.20
F1002WV-S-13P	12.00	19.00	14.20	F1002WV-S-28P	27.00	34.00	29.20
F1002WV-S-14P	13.00	20.00	15.20	F1002WV-S-29P	28.00	35.00	30.20
F1002WV-S-15P	14.00	21.00	16.20	F1002WV-S-30P	29.00	36.00	31.20
F1002WV-S-16P	15.00	22.00	17.20	F1002WV-S-31P	30.00	37.00	32.20
F1002WV-S-17P	16.00	23.00	18.20	F1002WV-S-32P	31.00	38.00	33.20
F1002WV-S-18P	17.00	24.00	19.20				

Unit:mm



Specifications

Current rating: 0.5A AC,DC
Voltage rating: 50V AC,DC
Temperature range: -25°C ~ +85°C
Contact resistance: 30mΩ Max.
Insulation resistance: 500MΩ Min.
Withstanding voltage: 500V AC/minute

A
B
C
F
ST
HRJ
DC

Ordering code

① ② ③ ④ ⑤
F1003 WR-S-30P DT1

- ① Series No.
- ② Connector type: WV=Vertical, WR=Right angle
- ③ Mounting type: S=SMT
- ④ No. of circuits
- ⑤ Option code:
 - T=Top contact style
 - B=Bottom contact style
 - D01=Gold-flash, Taping reel(Vertical type)
 - DT1=Gold-flash, Taping reel, Top contact style
 - DB1=Gold-flash, Taping reel, Bottom contact style

F1003 SERIES

1.00mm pitch FFC/FPC connector

F1003WV-S

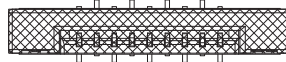
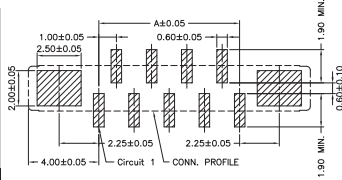
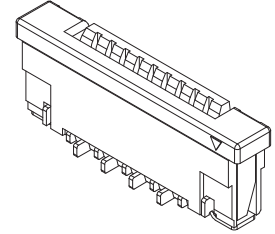
1.00mm pitch FFC/FPC 180° Connector, ZIF, SMT TYPE

Reference Informations:

- *Material: Pin: Phosphor Bronze/Tin-plated
- Solder Tabs: Brass/Tin-plated
- Housing: Nylon 6T,UL94V-0
- Actuator: Nylon 6T,UL94V-0

	F1003WV-S-30P						
	N	L	N	T1	T	00	L
	①	②	③	④	⑤	⑥	⑦

- ① N=Halogen Free
- ② Material: L=LCP
- ③ Color: N=Natural(Beige)
- ④ Plating code: T1=Tin-plated, G1=Gold-flash
- ⑤ Plating code: T=Tin-plated, G=Gold-flash
- ⑥ Option code: 00=Standard
- ⑦ Packing code: L=Tape & Reel(With Mylar)



KAPTON TAPE
(FOR PICK AND PLACE SYSTEMS)

Ordering Information & Dimensions:

PART NO.	Dimensions			PART NO.	Dimensions		
	A	B	C		A	B	C
F1003WV-S-04P	3.00	11.00	5.25	F1003WV-S-20P	19.00	27.00	21.25
F1003WV-S-05P	4.00	12.00	6.25	F1003WV-S-21P	20.00	28.00	22.25
F1003WV-S-06P	5.00	13.00	7.25	F1003WV-S-22P	21.00	29.00	23.25
F1003WV-S-07P	6.00	14.00	8.25	F1003WV-S-23P	22.00	30.00	24.25
F1003WV-S-08P	7.00	15.00	9.25	F1003WV-S-24P	23.00	31.00	25.25
F1003WV-S-09P	8.00	16.00	10.25	F1003WV-S-25P	24.00	32.00	26.25
F1003WV-S-10P	9.00	17.00	11.25	F1003WV-S-26P	25.00	33.00	27.25
F1003WV-S-11P	10.00	18.00	12.25	F1003WV-S-27P	26.00	34.00	28.25
F1003WV-S-12P	11.00	19.00	13.25	F1003WV-S-28P	27.00	35.00	29.25
F1003WV-S-13P	12.00	20.00	14.25	F1003WV-S-29P	28.00	36.00	30.25
F1003WV-S-14P	13.00	21.00	15.25	F1003WV-S-30P	29.00	37.00	31.25
F1003WV-S-15P	14.00	22.00	16.25	F1003WV-S-31P	30.00	38.00	32.25
F1003WV-S-16P	15.00	23.00	17.25	F1003WV-S-32P	31.00	39.00	33.25
F1003WV-S-17P	16.00	24.00	18.25	F1003WV-S-33P	32.00	40.00	34.25
F1003WV-S-18P	17.00	25.00	19.25	F1003WV-S-34P	33.00	41.00	35.25
F1003WV-S-19P	18.00	26.00	20.25				

Unit:mm

F1003WR-S

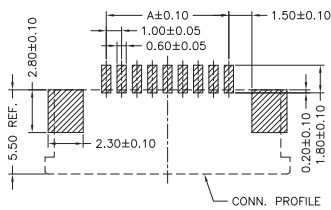
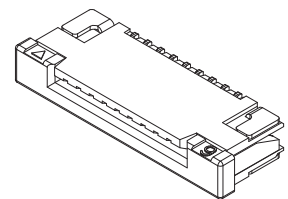
1.00mm pitch FFC/FPC 90° Connector, ZIF, SMT TYPE, Top Contact Style

Reference Informations:

- *Material: Pin: Phosphor Bronze/Tin-plated
- Solder Tabs: Brass/Tin-plated
- Housing: Nylon 6T,UL94V-0
- Actuator: Nylon 6T,UL94V-0

	F1003WR-S-30P						
	N	L	N	T1	T	T0	R
	①	②	③	④	⑤	⑥	⑦

- ① N=Halogen Free
- ② Material: L=LCP
- ③ Color: N=Natural(Beige)
- ④ Plating code: T1=Tin-plated, G1=Gold-flash
- ⑤ Plating code: T=Tin-plated, G=Gold-flash
- ⑥ Option code: T0=Top contact
- ⑦ Packing code: R=Tape & Reel



TOP CONTACT
(ACTUATOR OPEN)

Ordering Information & Dimensions:

PART NO.	Dimensions			PART NO.	Dimensions		
	A	B	C		A	B	C
F1003WR-S-04PT	3.00	11.00	5.25	F1003WR-S-20PT	19.00	27.00	21.25
F1003WR-S-05PT	4.00	12.00	6.25	F1003WR-S-21PT	20.00	28.00	22.25
F1003WR-S-06PT	5.00	13.00	7.25	F1003WR-S-22PT	21.00	29.00	23.25
F1003WR-S-07PT	6.00	14.00	8.25	F1003WR-S-23PT	22.00	30.00	24.25
F1003WR-S-08PT	7.00	15.00	9.25	F1003WR-S-24PT	23.00	31.00	25.25
F1003WR-S-09PT	8.00	16.00	10.25	F1003WR-S-25PT	24.00	32.00	26.25
F1003WR-S-10PT	9.00	17.00	11.25	F1003WR-S-26PT	25.00	33.00	27.25
F1003WR-S-11PT	10.00	18.00	12.25	F1003WR-S-27PT	26.00	34.00	28.25
F1003WR-S-12PT	11.00	19.00	13.25	F1003WR-S-28PT	27.00	35.00	29.25
F1003WR-S-13PT	12.00	20.00	14.25	F1003WR-S-29PT	28.00	36.00	30.25
F1003WR-S-14PT	13.00	21.00	15.25	F1003WR-S-30PT	29.00	37.00	31.25
F1003WR-S-15PT	14.00	22.00	16.25	F1003WR-S-31PT	30.00	38.00	32.25
F1003WR-S-16PT	15.00	23.00	17.25	F1003WR-S-32PT	31.00	39.00	33.25
F1003WR-S-17PT	16.00	24.00	18.25	F1003WR-S-33PT	32.00	40.00	34.25
F1003WR-S-18PT	17.00	25.00	19.25	F1003WR-S-34PT	33.00	41.00	35.25
F1003WR-S-19PT	18.00	26.00	20.25				

Unit:mm

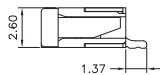
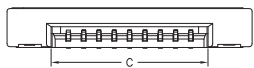
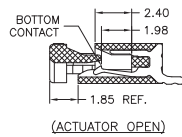
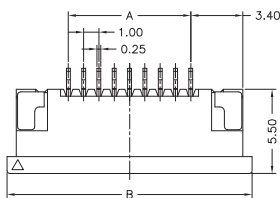
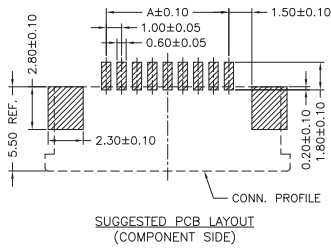
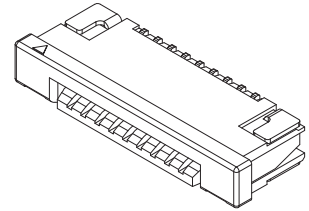
F1003WR-S

1.00mm pitch FFC/FPC 90° Connector, ZIF, SMT TYPE, Bottom Contact Style

Reference Informations:

- *Material: Pin: Phosphor Bronze/Tin-plated
- Solder Tabs: Brass/Tin-plated
- Housing: Nylon 6T,UL94V-0
- Actuator: Nylon 6T,UL94V-0

	F1003WR-S-30P	N	L	N	T1	T	B0	R
		①	②	③	④	⑤	⑥	⑦
①	N=Halogen Free							
②	Material: L=LCP							
③	Color: N=Natural(Beige)							
④	Plating code: T1=Tin-plated, G1=Gold-flash							
⑤	Plating code: T=Tin-plated, G=Gold-flash							
⑥	Option code: B0=Bottom contact							
⑦	Packing code: R=Tape & Reel							



Ordering Information & Dimensions:

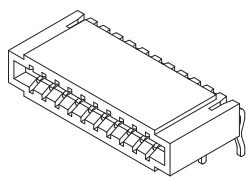
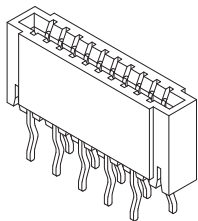
PART NO.	Dimensions			PART NO.	Dimensions		
	A	B	C		A	B	C
F1003WR-S-04PB	3.00	11.00	5.25	F1003WR-S-20PB	19.00	27.00	21.25
F1003WR-S-05PB	4.00	12.00	6.25	F1003WR-S-21PB	20.00	28.00	22.25
F1003WR-S-06PB	5.00	13.00	7.25	F1003WR-S-22PB	21.00	29.00	23.25
F1003WR-S-07PB	6.00	14.00	8.25	F1003WR-S-23PB	22.00	30.00	24.25
F1003WR-S-08PB	7.00	15.00	9.25	F1003WR-S-24PB	23.00	31.00	25.25
F1003WR-S-09PB	8.00	16.00	10.25	F1003WR-S-25PB	24.00	32.00	26.25
F1003WR-S-10PB	9.00	17.00	11.25	F1003WR-S-26PB	25.00	33.00	27.25
F1003WR-S-11PB	10.00	18.00	12.25	F1003WR-S-27PB	26.00	34.00	28.25
F1003WR-S-12PB	11.00	19.00	13.25	F1003WR-S-28PB	27.00	35.00	29.25
F1003WR-S-13PB	12.00	20.00	14.25	F1003WR-S-29PB	28.00	36.00	30.25
F1003WR-S-14PB	13.00	21.00	15.25	F1003WR-S-30PB	29.00	37.00	31.25
F1003WR-S-15PB	14.00	22.00	16.25	F1003WR-S-31PB	30.00	38.00	32.25
F1003WR-S-16PB	15.00	23.00	17.25	F1003WR-S-32PB	31.00	39.00	33.25
F1003WR-S-17PB	16.00	24.00	18.25	F1003WR-S-33PB	32.00	40.00	34.25
F1003WR-S-18PB	17.00	25.00	19.25	F1003WR-S-34PB	33.00	41.00	35.25
F1003WR-S-19PB	18.00	26.00	20.25				

Unit:mm

A
B
C
F
ST
HRJ
DC

Specifications

Current rating: 0.5A AC,DC
Voltage rating: 50V AC,DC
Temperature range: -25°C ~ +85°C
Contact resistance: 30mΩ Max.
Insulation resistance: 500MΩ Min.
Withstanding voltage: 500V AC/minute



Ordering code

① F1004 ② WV-③ 05P

- ① Series No.
- ② Connector type: WV=Vertical, WR=Right angle
- ③ No. of circuits

A
B
C
F
ST
HRJ
DC

*

F1004 SERIES

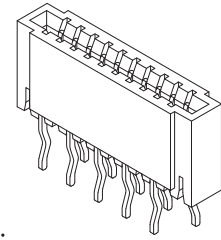
1.00mm pitch FFC/FPC connector

F1004WV

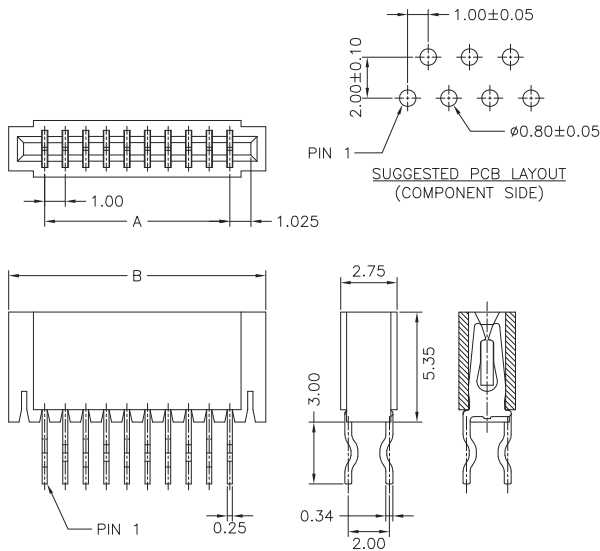
1.00mm pitch FFC/FPC 180° Connector, NON-ZIF

Reference Informations:

*Material: Pin: Phosphor Bronze/Tin-plated
Wafer: Nylon 9T,UL94V-0



Ordering Information & Dimensions:



PART NO.	Dimensions		PART NO.	Dimensions	
	A	B		A	B
F1004WV-04P	3.00	6.50	F1004WV-20P	19.00	22.50
F1004WV-05P	4.00	7.50	F1004WV-21P	20.00	23.50
F1004WV-06P	5.00	8.50	F1004WV-22P	21.00	24.50
F1004WV-07P	6.00	9.50	F1004WV-23P	22.00	25.50
F1004WV-08P	7.00	10.50	F1004WV-24P	23.00	26.50
F1004WV-09P	8.00	11.50	F1004WV-25P	24.00	27.50
F1004WV-10P	9.00	12.50	F1004WV-26P	25.00	28.50
F1004WV-11P	10.00	13.50	F1004WV-27P	26.00	29.50
F1004WV-12P	11.00	14.50	F1004WV-28P	27.00	30.50
F1004WV-13P	12.00	15.50	F1004WV-29P	28.00	31.50
F1004WV-14P	13.00	16.50	F1004WV-30P	29.00	32.50
F1004WV-15P	14.00	17.50	F1004WV-31P	30.00	33.50
F1004WV-16P	15.00	18.50	F1004WV-32P	31.00	34.50
F1004WV-17P	16.00	19.50	F1004WV-33P	32.00	35.50
F1004WV-18P	17.00	20.50	F1004WV-34P	33.00	36.50
F1004WV-19P	18.00	21.50			

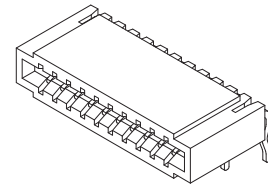
Unit:mm

F1004WR

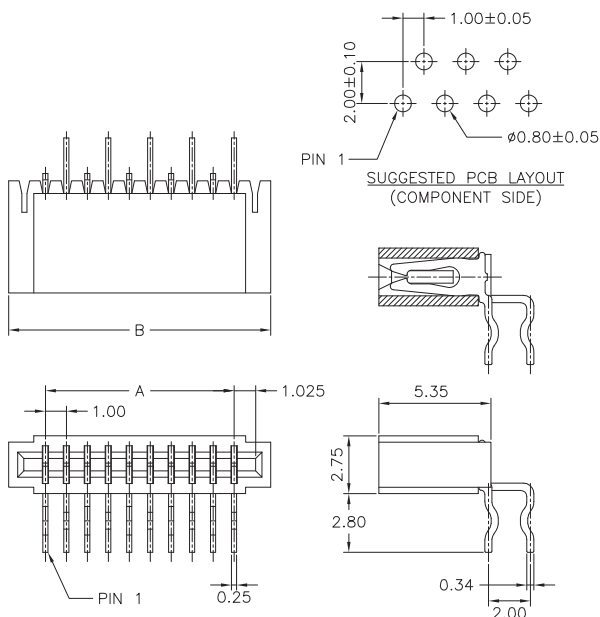
1.00mm pitch FFC/FPC 90° Connector, NON-ZIF

Reference Informations:

*Material: Pin: Phosphor Bronze/Tin-plated
Wafer: Nylon 9T,UL94V-0



Ordering Information & Dimensions:



PART NO.	Dimensions		PART NO.	Dimensions	
	A	B		A	B
F1004WR-04P	3.00	6.50	F1004WR-20P	19.00	22.50
F1004WR-05P	4.00	7.50	F1004WR-21P	20.00	23.50
F1004WR-06P	5.00	8.50	F1004WR-22P	21.00	24.50
F1004WR-07P	6.00	9.50	F1004WR-23P	22.00	25.50
F1004WR-08P	7.00	10.50	F1004WR-24P	23.00	26.50
F1004WR-09P	8.00	11.50	F1004WR-25P	24.00	27.50
F1004WR-10P	9.00	12.50	F1004WR-26P	25.00	28.50
F1004WR-11P	10.00	13.50	F1004WR-27P	26.00	29.50
F1004WR-12P	11.00	14.50	F1004WR-28P	27.00	30.50
F1004WR-13P	12.00	15.50	F1004WR-29P	28.00	31.50
F1004WR-14P	13.00	16.50	F1004WR-30P	29.00	32.50
F1004WR-15P	14.00	17.50	F1004WR-31P	30.00	33.50
F1004WR-16P	15.00	18.50	F1004WR-32P	31.00	34.50
F1004WR-17P	16.00	19.50	F1004WR-33P	32.00	35.50
F1004WR-18P	17.00	20.50	F1004WR-34P	33.00	36.50
F1004WR-19P	18.00	21.50			

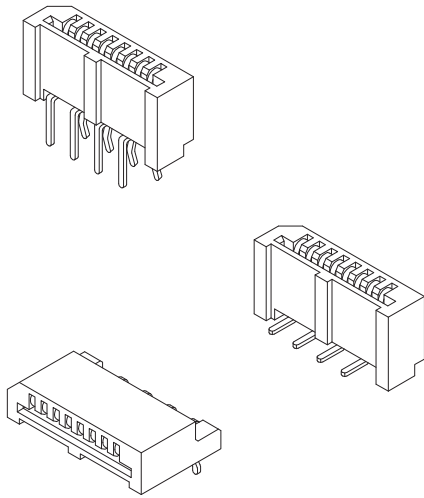
Unit:mm

A
B
C
F
ST
HRJ
DC

*

Specifications

Current rating: 0.5A AC,DC
 Voltage rating: 50V AC,DC
 Temperature range: -25°C ~ +85°C
 Contact resistance: 30mΩ Max.
 Insulation resistance: 500MΩ Min.
 Withstanding voltage: 500V AC/minute



Ordering code

① F1005 ② WV ③ -S ④ -05P

- ① Series No.
- ② Connector type: WV=Vertical
- ③ Mounting type: Blank=Through hole
-S=SMT without boss
- ④ No. of circuits

① F1005 ② WR ③ -05P ④ T

- ① Series No.
- ② Connector type: WR=Right angle
- ③ No. of circuits
- ④ Option code:
T=Top contact style

A
B
C
F
ST
HRJ
DC

*

F1005 SERIES

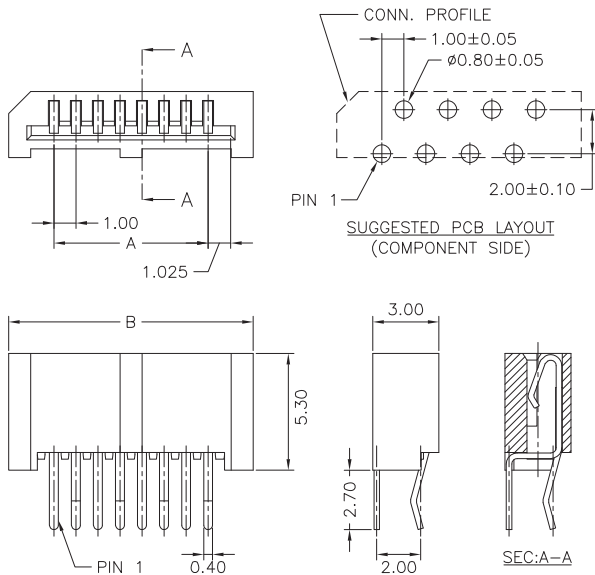
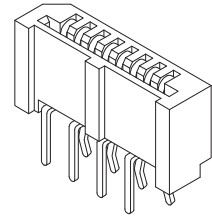
1.00mm pitch FFC/FPC connector

F1005WV

1.00mm pitch FFC/FPC 180° Connector, NON-ZIF

Reference Informations:

*Material: Pin: Phosphor Bronze/Tin-plated
Wafer: Nylon 46,UL94V-0



Ordering Information & Dimensions:

PART NO.	Dimensions		PART NO.	Dimensions	
	A	B		A	B
F1005WV-04P	3.00	7.10	F1005WV-19P	18.00	22.10
F1005WV-05P	4.00	8.10	F1005WV-20P	19.00	23.10
F1005WV-06P	5.00	9.10	F1005WV-21P	20.00	24.10
F1005WV-07P	6.00	10.10	F1005WV-22P	21.00	25.10
F1005WV-08P	7.00	11.10	F1005WV-23P	22.00	26.10
F1005WV-09P	8.00	12.10	F1005WV-24P	23.00	27.10
F1005WV-10P	9.00	13.10	F1005WV-25P	24.00	28.10
F1005WV-11P	10.00	14.10	F1005WV-26P	25.00	29.10
F1005WV-12P	11.00	15.10	F1005WV-27P	26.00	30.10
F1005WV-13P	12.00	16.10	F1005WV-28P	27.00	31.10
F1005WV-14P	13.00	17.10	F1005WV-29P	28.00	32.10
F1005WV-15P	14.00	18.10	F1005WV-30P	29.00	33.10
F1005WV-16P	15.00	19.10	F1005WV-31P	30.00	34.10
F1005WV-17P	16.00	20.10	F1005WV-32P	31.00	35.10
F1005WV-18P	17.00	21.10			

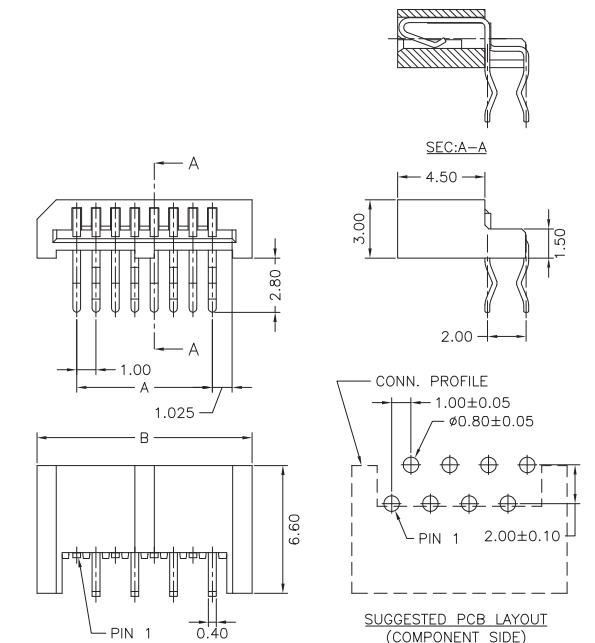
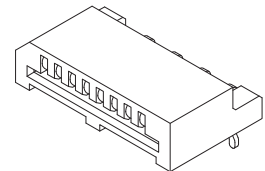
Unit:mm

F1005WR

1.00mm pitch FFC/FPC 90° Connector, NON-ZIF, Top Contact Style

Reference Informations:

*Material: Pin: Phosphor Bronze/Tin-plated
Wafer: Nylon 46,UL94V-0



Ordering Information & Dimensions:

PART NO.	Dimensions		PART NO.	Dimensions	
	A	B		A	B
F1005WR-04PT	3.00	7.10	F1005WR-19PT	18.00	22.10
F1005WR-05PT	4.00	8.10	F1005WR-20PT	19.00	23.10
F1005WR-06PT	5.00	9.10	F1005WR-21PT	20.00	24.10
F1005WR-07PT	6.00	10.10	F1005WR-22PT	21.00	25.10
F1005WR-08PT	7.00	11.10	F1005WR-23PT	22.00	26.10
F1005WR-09PT	8.00	12.10	F1005WR-24PT	23.00	27.10
F1005WR-10PT	9.00	13.10	F1005WR-25PT	24.00	28.10
F1005WR-11PT	10.00	14.10	F1005WR-26PT	25.00	29.10
F1005WR-12PT	11.00	15.10	F1005WR-27PT	26.00	30.10
F1005WR-13PT	12.00	16.10	F1005WR-28PT	27.00	31.10
F1005WR-14PT	13.00	17.10	F1005WR-29PT	28.00	32.10
F1005WR-15PT	14.00	18.10	F1005WR-30PT	29.00	33.10
F1005WR-16PT	15.00	19.10	F1005WR-31PT	30.00	34.10
F1005WR-17PT	16.00	20.10	F1005WR-32PT	31.00	35.10
F1005WR-18PT	17.00	21.10			

Unit:mm

A
B
C
F
ST
HRJ
DC

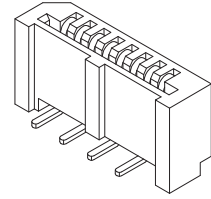
*

F1005WV-S

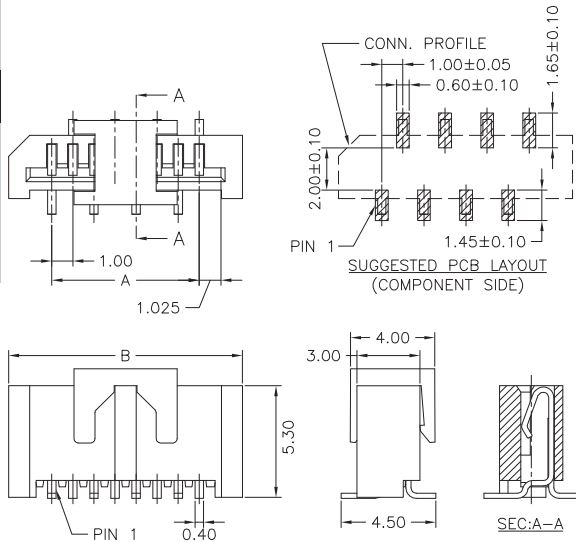
1.00mm pitch FFC/FPC 180° Connector, NON-ZIF, SMT TYPE

Reference Informations:

*Material: Pin: Phosphor Bronze/Tin-plated
 Wafer: Nylon 46,UL94V-0
 Cap: Nylon 46,UL94V-0



A
B
C
F
ST
HRJ
DC



Ordering Information & Dimensions:

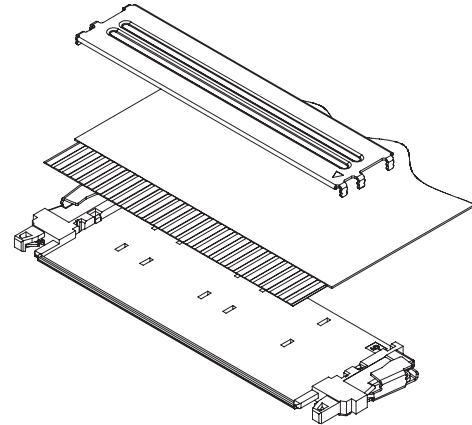
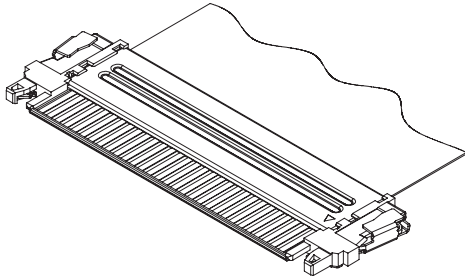
PART NO.	Dimensions		PART NO.	Dimensions	
	A	B		A	B
F1005WV-S-04P	3.00	7.10	F1005WV-S-19P	18.00	22.10
F1005WV-S-05P	4.00	8.10	F1005WV-S-20P	19.00	23.10
F1005WV-S-06P	5.00	9.10	F1005WV-S-21P	20.00	24.10
F1005WV-S-07P	6.00	10.10	F1005WV-S-22P	21.00	25.10
F1005WV-S-08P	7.00	11.10	F1005WV-S-23P	22.00	26.10
F1005WV-S-09P	8.00	12.10	F1005WV-S-24P	23.00	27.10
F1005WV-S-10P	9.00	13.10	F1005WV-S-25P	24.00	28.10
F1005WV-S-11P	10.00	14.10	F1005WV-S-26P	25.00	29.10
F1005WV-S-12P	11.00	15.10	F1005WV-S-27P	26.00	30.10
F1005WV-S-13P	12.00	16.10	F1005WV-S-28P	27.00	31.10
F1005WV-S-14P	13.00	17.10	F1005WV-S-29P	28.00	32.10
F1005WV-S-15P	14.00	18.10	F1005WV-S-30P	29.00	33.10
F1005WV-S-16P	15.00	19.10	F1005WV-S-31P	30.00	34.10
F1005WV-S-17P	16.00	20.10	F1005WV-S-32P	31.00	35.10
F1005WV-S-18P	17.00	21.10			

Unit:mm



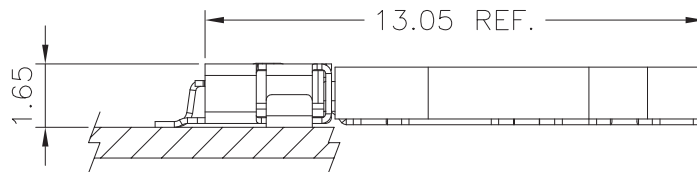
Specifications

Temperature range: -25°C ~ +85°C



A
B
C
F
ST
HRJ
DC

Assembly layout



Ordering code

① F1010 ② H ③ A ④ -30P ⑤ -5

- ① Series No.
- ② H=Housing
- ③ Blank=Without lock structure type
A=With lock structure type
- ④ No. of circuits
- ⑤ Option code:
Blank=Normal type
-1=Type 1
-5=Type 5

① TC ② F1010H ③ I ④ -T ⑤ -30P ⑥ -QS0

- ① Category code
- ② Series No.
- ③ Blank=Normal type
I=With ground pin type
- ④ T=Top cover
- ⑤ No. of circuits
- ⑥ Material code

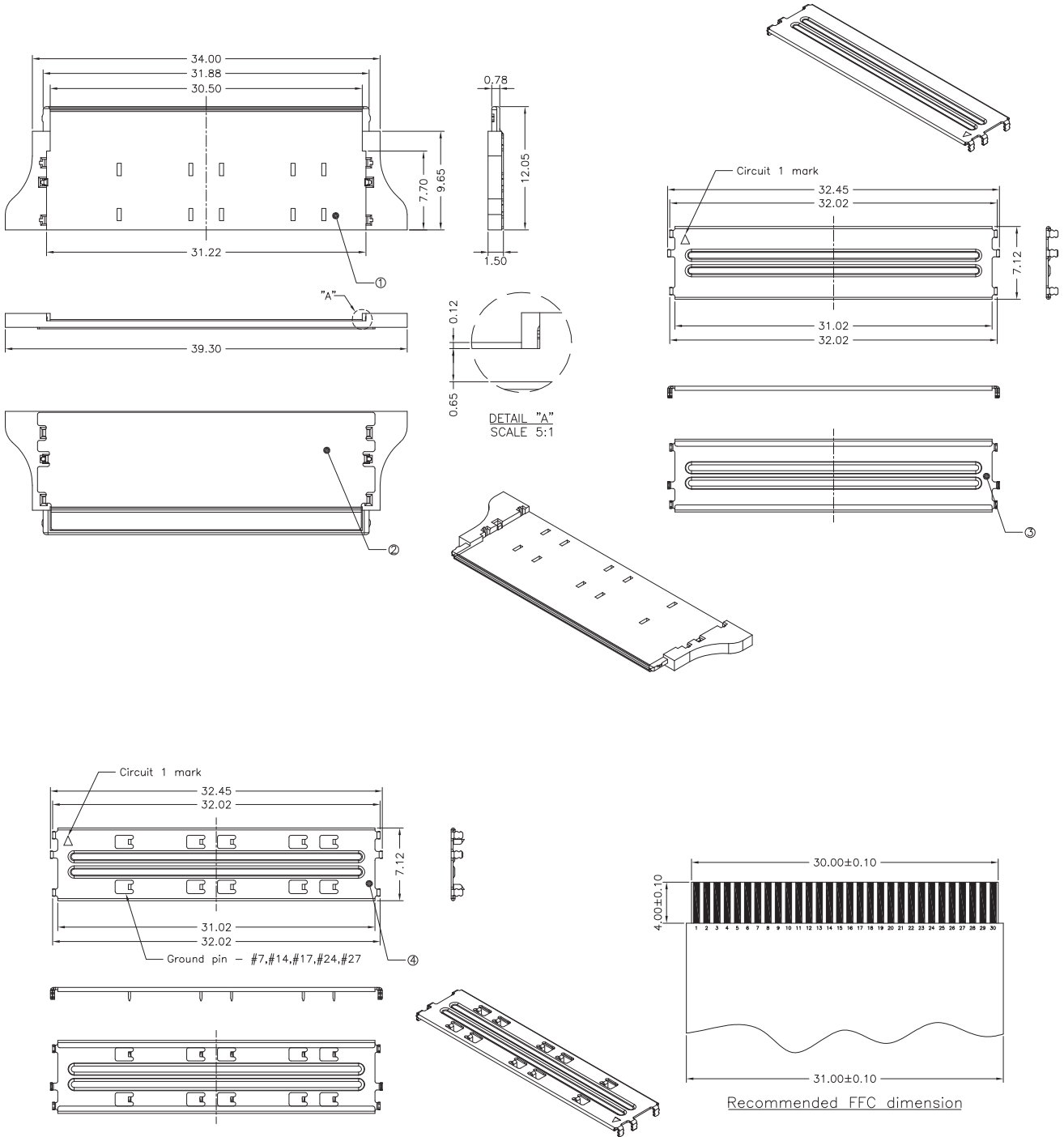
F1010 SERIES

1.00mm pitch FFC connector(Assembly parts)

F1010H-30P

1.00mm pitch Connector For FFC

A
B
C
F
ST
HRJ
DC



No.	Part No.	Description	Material	Color
1	F1010H-30P	Insulator	Nylon 46,UL94V-0	Natural(Beige)
2		Ground plate	Stainless	-----
3	TCF1010H-T-30P-QS0	Top cover	Stainless	-----
4	TCF1010HI-T-30P-QS0	Top cover	Stainless	-----

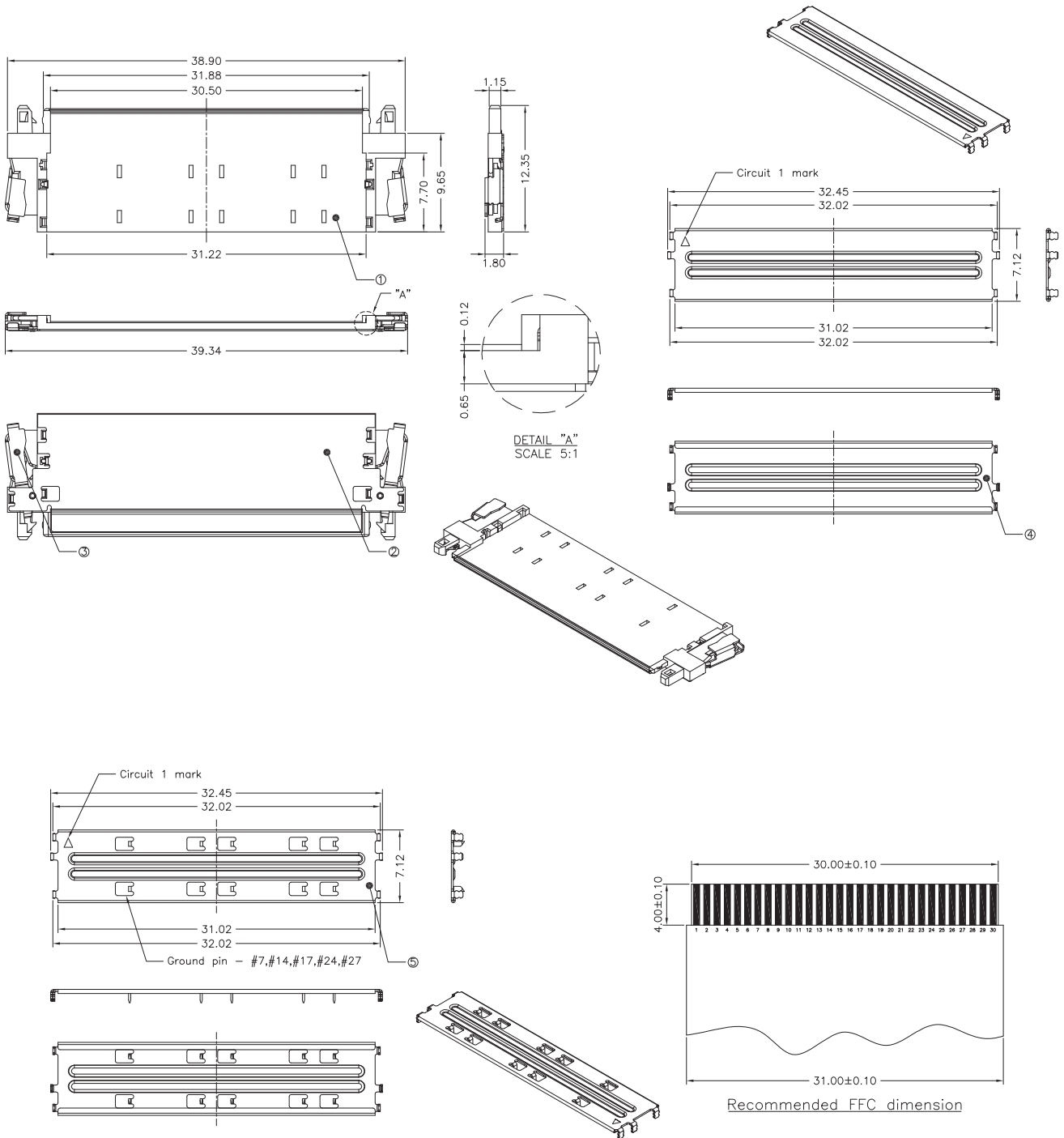
Unit:mm

F1010 SERIES

1.00mm pitch FFC connector(Assembly parts)

F1010HA-30P

1.00mm pitch Connector For FFC - LOCK TYPE



A
B
C
F
ST
HRJ
DC

No.	Part No.	Description	Material	Color
1	F1010HA-30P	Insulator	Nylon 46,UL94V-0	Natural(Beige)
2		Ground plate	Stainless	-----
3		Lock lever	Stainless	-----
4	TCF1010H-T-30P-QS0	Top cover	Stainless	-----
5	TCF1010HI-T-30P-QS0	Top cover	Stainless	-----

Unit:mm

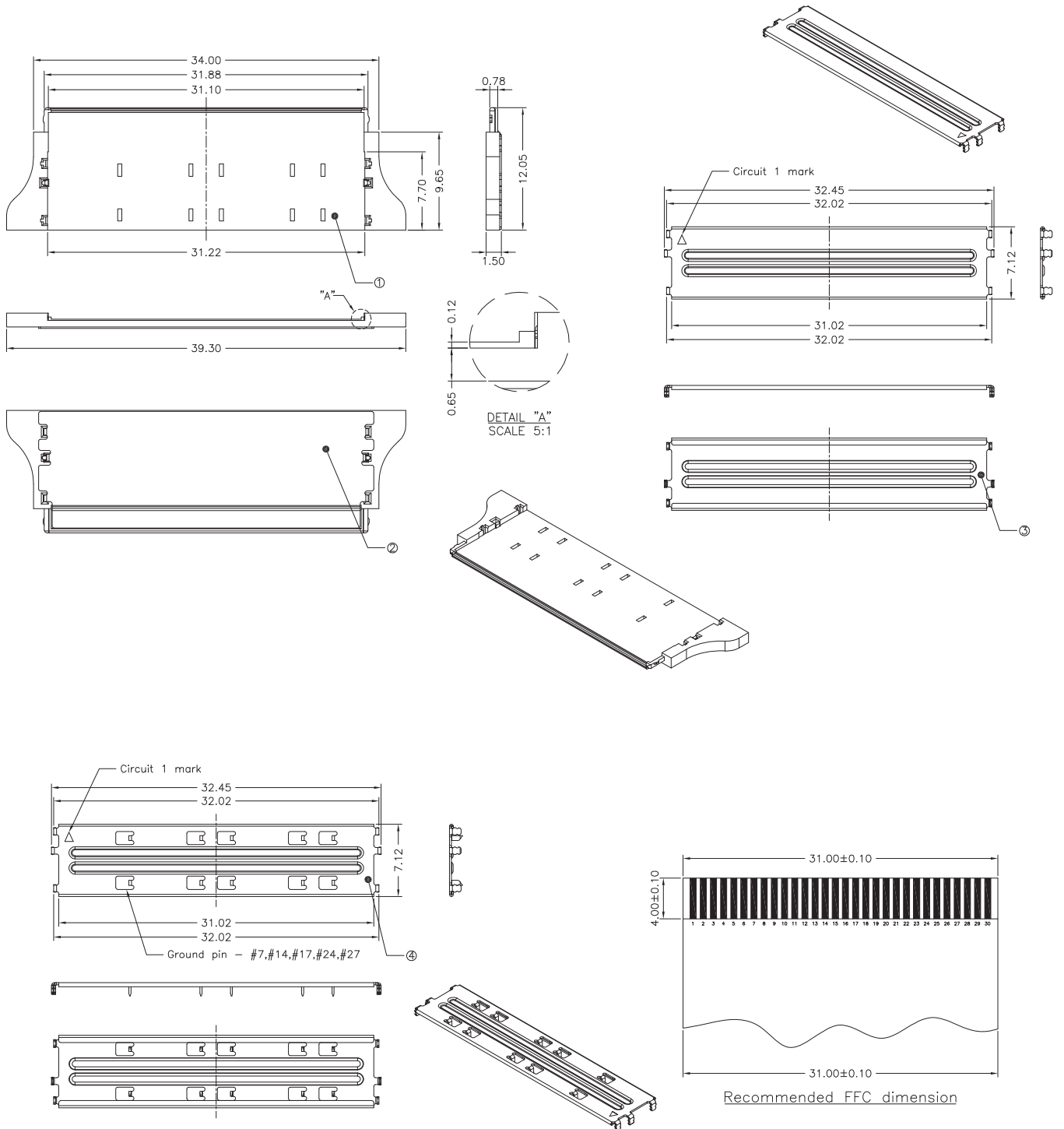
F1010 SERIES

1.00mm pitch FFC connector(Assembly parts)

F1010H-30P-1

1.00mm pitch Connector For FFC

A
B
C
F
ST
HRJ
DC



No.	Part No.	Description	Material	Color
1	F1010H-30P-1	Insulator	Nylon 46,UL94V-0	Natural(Beige)
2		Ground plate	Stainless	-----
3	TCF1010H-T-30P-QS0	Top cover	Stainless	-----
4	TCF1010HI-T-30P-QS0	Top cover	Stainless	-----

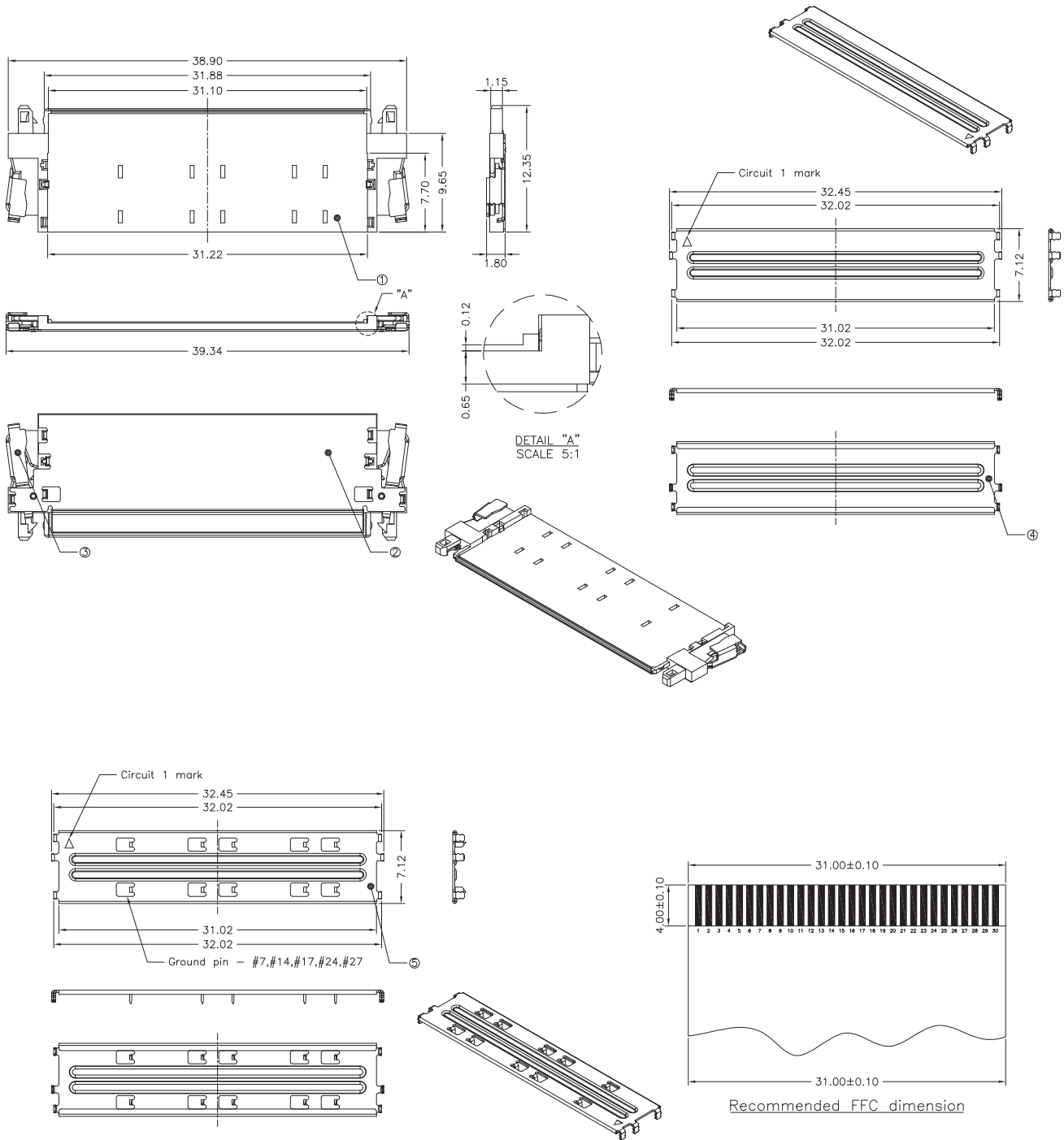
Unit:mm

F1010 SERIES

1.00mm pitch FFC connector(Assembly parts)

F1010HA-30P-1

1.00mm pitch Connector For FFC - LOCK TYPE



A
B
C
F
ST
HRJ
DC

No.	Part No.	Description	Material	Color
1	F1010HA-30P-1	Insulator	Nylon 46,UL94V-0	Natural(Beige)
2		Ground plate	Stainless	-----
3		Lock lever	Stainless	-----
4	TCF1010H-T-30P-QS0	Top cover	Stainless	-----
5	TCF1010HI-T-30P-QS0	Top cover	Stainless	-----

Unit:mm

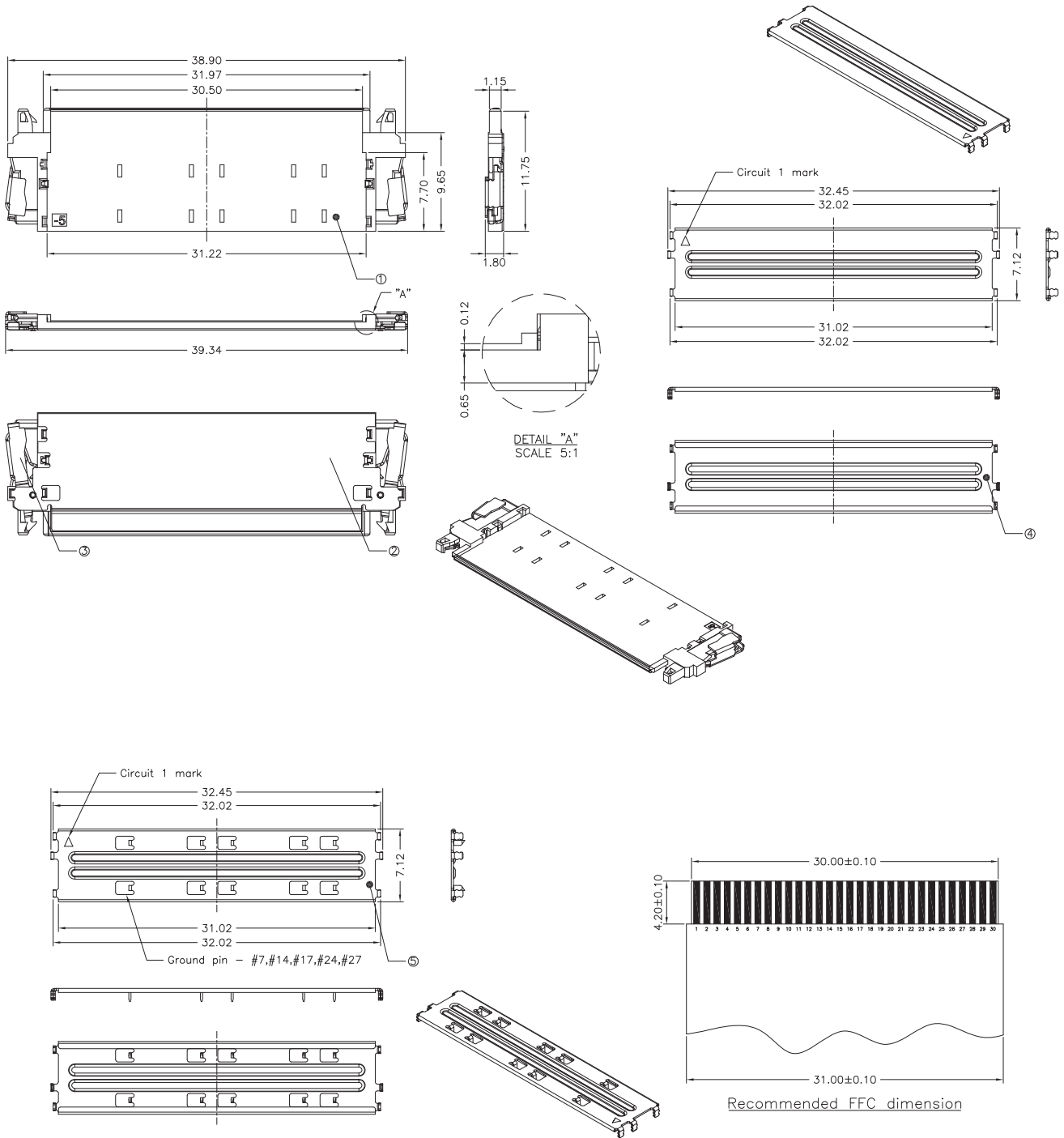
F1010 SERIES

1.00mm pitch FFC connector(Assembly parts)

F1010HA-30P-5

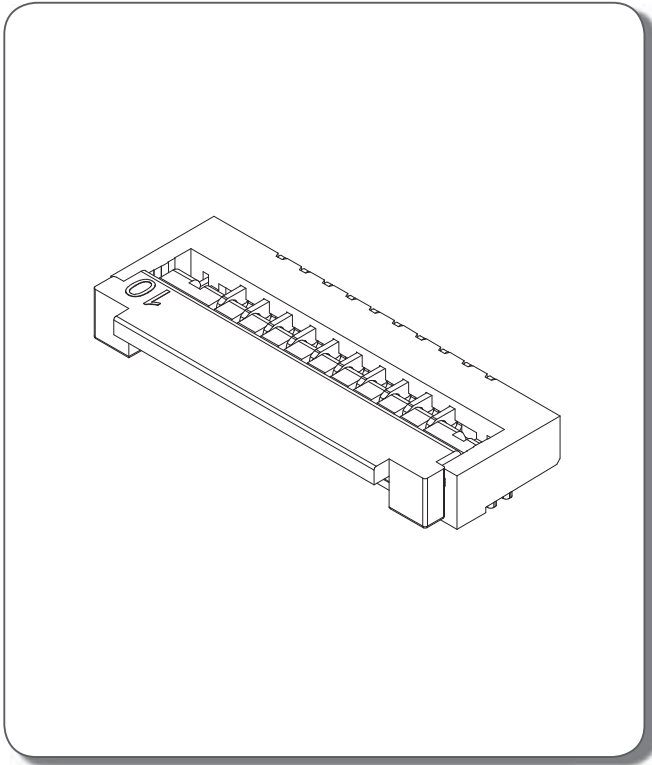
1.00mm pitch Connector For FFC - LOCK TYPE

A
B
C
F
ST
HRJ
DC



No.	Part No.	Description	Material	Color
1	F1010HA-30P-5	Insulator	Nylon 46,UL94V-0	Natural(Beige)
2		Ground plate	Stainless	-----
3		Lock lever	Stainless	-----
4	TCF1010H-T-30P-QS0	Top cover	Stainless	-----
5	TCF1010HI-T-30P-QS0	Top cover	Stainless	-----

Unit:mm



Specifications

Current rating: 0.5A AC,DC
Voltage rating: 50V AC,DC
Temperature range: -25°C ~ +85°C
Contact resistance: 30mΩ Max.
Insulation resistance: 500MΩ Min.
Withstanding voltage: 500V AC/minute

A
B
C
F
ST
HRJ
DC

Ordering code

① ② ③ ④ ⑤
F1015 WR-S-30P D01

- ① Series No.
- ② Connector type: WR=Right angle
- ③ Mounting type: S=SMT
- ④ No. of circuits
- ⑤ Option code:
D01=Gold-flash, Taping reel

F1015WR-S

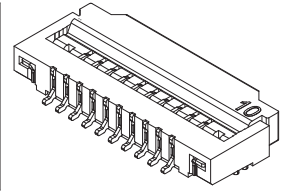
1.00mm pitch FFC/FPC 90° Connector, ZIF, SMT TYPE, Bottom Contact Style

Reference Informations:

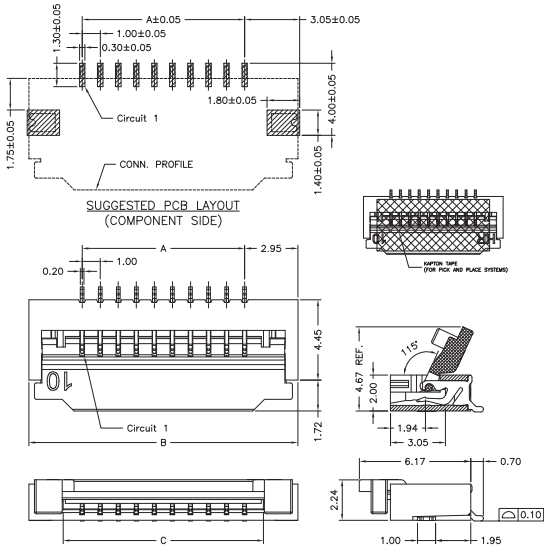
- *Material: Pin: Phosphor Bronze/Gold-flash
- Solder Tabs: Brass/Tin-plated
- Housing: Nylon 6T,UL94V-0
- Cover: Nylon 6T,UL94V-0

F1015WR-S-30P N L N G1 T 00 L
① ② ③ ④ ⑤ ⑥ ⑦

- ① N=Halogen Free
- ② Material: L=LCP
- ③ Color: N=Natural(Beige)
- ④ Plating code: G1=Gold-flash
- ⑤ Plating code: T=Tin-plated, G=Gold-flash
- ⑥ Option code: 00=Standard
- ⑦ Packing code: L=Tape & Reel(With Mylar)



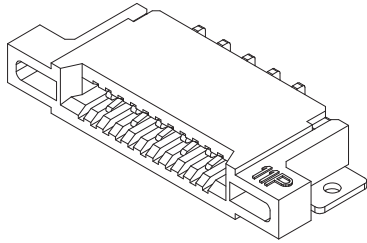
A
B
C
F
ST
HRJ
DC



Ordering Information & Dimensions:

PART NO.	Dimensions			PART NO.	Dimensions		
	A	B	C		A	B	C
F1015WR-S-04P	3.00	8.90	5.10	F1015WR-S-23P	22.00	27.90	24.10
F1015WR-S-05P	4.00	9.90	6.10	F1015WR-S-24P	23.00	28.90	25.10
F1015WR-S-06P	5.00	10.90	7.10	F1015WR-S-25P	24.00	29.90	26.10
F1015WR-S-07P	6.00	11.90	8.10	F1015WR-S-26P	25.00	30.90	27.10
F1015WR-S-08P	7.00	12.90	9.10	F1015WR-S-27P	26.00	31.90	28.10
F1015WR-S-09P	8.00	13.90	10.10	F1015WR-S-28P	27.00	32.90	29.10
F1015WR-S-10P	9.00	14.90	11.10	F1015WR-S-29P	28.00	33.90	30.10
F1015WR-S-11P	10.00	15.90	12.10	F1015WR-S-30P	29.00	34.90	31.10
F1015WR-S-12P	11.00	16.90	13.10	F1015WR-S-31P	30.00	35.90	32.10
F1015WR-S-13P	12.00	17.90	14.10	F1015WR-S-32P	31.00	36.90	33.10
F1015WR-S-14P	13.00	18.90	15.10	F1015WR-S-33P	32.00	37.90	34.10
F1015WR-S-15P	14.00	19.90	16.10	F1015WR-S-34P	33.00	38.90	35.10
F1015WR-S-16P	15.00	20.90	17.10	F1015WR-S-35P	34.00	39.90	36.10
F1015WR-S-17P	16.00	21.90	18.10	F1015WR-S-36P	35.00	40.90	37.10
F1015WR-S-18P	17.00	22.90	19.10	F1015WR-S-37P	36.00	41.90	38.10
F1015WR-S-19P	18.00	23.90	20.10	F1015WR-S-38P	37.00	42.90	39.10
F1015WR-S-20P	19.00	24.90	21.10	F1015WR-S-39P	38.00	43.90	40.10
F1015WR-S-21P	20.00	25.90	22.10	F1015WR-S-40P	39.00	44.90	41.10
F1015WR-S-22P	21.00	26.90	23.10	F1015WR-S-41P	40.00	45.90	42.10

Unit:mm



Specifications

Current rating: 0.5A AC,DC
Voltage rating: 50V AC,DC
Temperature range: -25°C ~ +85°C
Contact resistance: 30mΩ Max.
Insulation resistance: 500MΩ Min.
Withstanding voltage: 500V AC/minute

A

B

C

F

ST

HRJ

DC

Ordering code

① ② ③ ④
F1016 WR-S-05P

- ① Series No.
- ② Connector type: WR=Right angle
- ③ Mounting type: S=SMT
- ④ No. of circuits

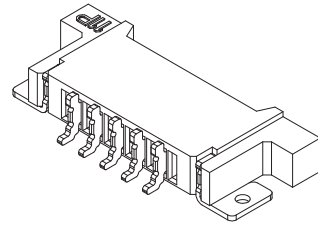
*

F1016WR-S

1.00mm pitch FFC/FPC 90° Connector, NON-ZIF, SMT TYPE

Reference Informations:

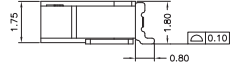
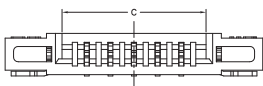
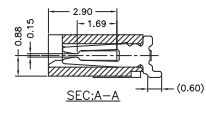
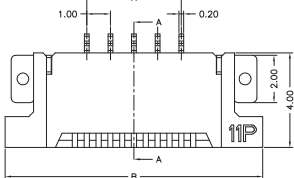
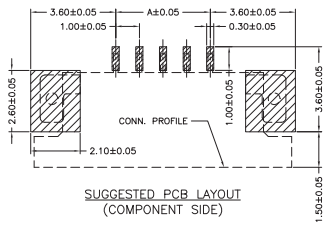
- *Material: Pin: Phosphor Bronze/Tin-plated
- Solder Tabs: Brass/Tin-plated
- Wafer: LCP,UL94V-0



F1016WR-S-05P N L N T1 T 00 R

① N=Halogen Free
 ② Material: L=LCP
 ③ Color: N=Natural(Beige)
 ④ Plating code: T1=Tin-plated
 ⑤ Plating code: T=Tin-plated
 ⑥ Option code: 00=Standard
 ⑦ Packing code: R=Tape & Reel

A
B
C
F
ST
HRJ
DC

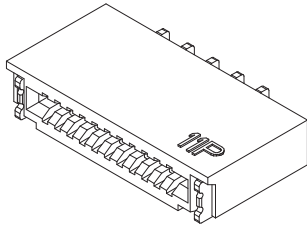


Ordering Information & Dimensions:

PART NO.	Dimensions			PART NO.	Dimensions		
	A	B	C		A	B	C
F1016WR-S-04P	3.00	9.90	5.10	F1016WR-S-18P	17.00	23.90	19.10
F1016WR-S-05P	4.00	10.90	6.10	F1016WR-S-19P	18.00	24.90	20.10
F1016WR-S-06P	5.00	11.90	7.10	F1016WR-S-20P	19.00	25.90	21.10
F1016WR-S-07P	6.00	12.90	8.10	F1016WR-S-21P	20.00	26.90	22.10
F1016WR-S-08P	7.00	13.90	9.10	F1016WR-S-22P	21.00	27.90	23.10
F1016WR-S-09P	8.00	14.90	10.10	F1016WR-S-23P	22.00	28.90	24.10
F1016WR-S-10P	9.00	15.90	11.10	F1016WR-S-24P	23.00	29.90	25.10
F1016WR-S-11P	10.00	16.90	12.10	F1016WR-S-25P	24.00	30.90	26.10
F1016WR-S-12P	11.00	17.90	13.10	F1016WR-S-26P	25.00	31.90	27.10
F1016WR-S-13P	12.00	18.90	14.10	F1016WR-S-27P	26.00	32.90	28.10
F1016WR-S-14P	13.00	19.90	15.10	F1016WR-S-28P	27.00	33.90	29.10
F1016WR-S-15P	14.00	20.90	16.10	F1016WR-S-29P	28.00	34.90	30.10
F1016WR-S-16P	15.00	21.90	17.10	F1016WR-S-30P	29.00	35.90	31.10
F1016WR-S-17P	16.00	22.90	18.10				

Unit:mm





Specifications

Current rating: 0.5A AC,DC
Voltage rating: 50V AC,DC
Temperature range: -25°C ~ +85°C
Contact resistance: 30mΩ Max.
Insulation resistance: 500MΩ Min.
Withstanding voltage: 500V AC/minute

A
B
C
F
ST
HRJ
DC

Ordering code

① ② ③ ④
F1017 WR-S-05P

- ① Series No.
- ② Connector type: WR=Right angle
- ③ Mounting type: S=SMT
- ④ No. of circuits

*

F1017WR-S

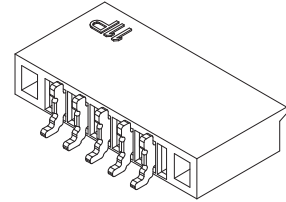
1.00mm pitch FFC/FPC 90° Connector, NON-ZIF, SMT TYPE

Reference Informations:

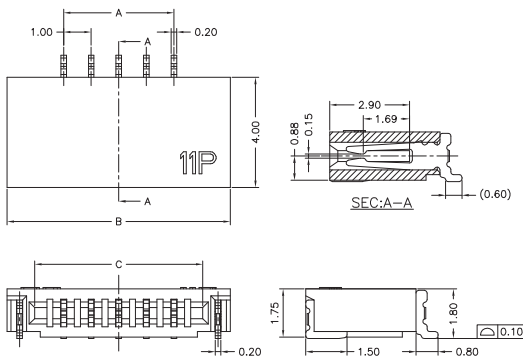
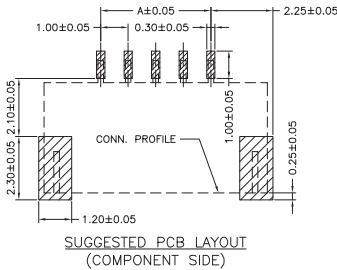
- *Material: Pin: Phosphor Bronze/Tin-plated
- Solder Tabs: Brass/Tin-plated
- Wafer: LCP,UL94V-0

	F1017WR-S-05P						
	N	L	N	T1	T	00	R
①	②	③	④	⑤	⑥	⑦	

- ① N=Halogen Free
- ② Material: L=LCP
- ③ Color: N=Natural(Beige)
- ④ Plating code: T1=Tin-plated
- ⑤ Plating code: T=Tin-plated
- ⑥ Option code: 00=Standard
- ⑦ Packing code: R=Tape & Reel



A
B
C
F
ST
HRJ
DC

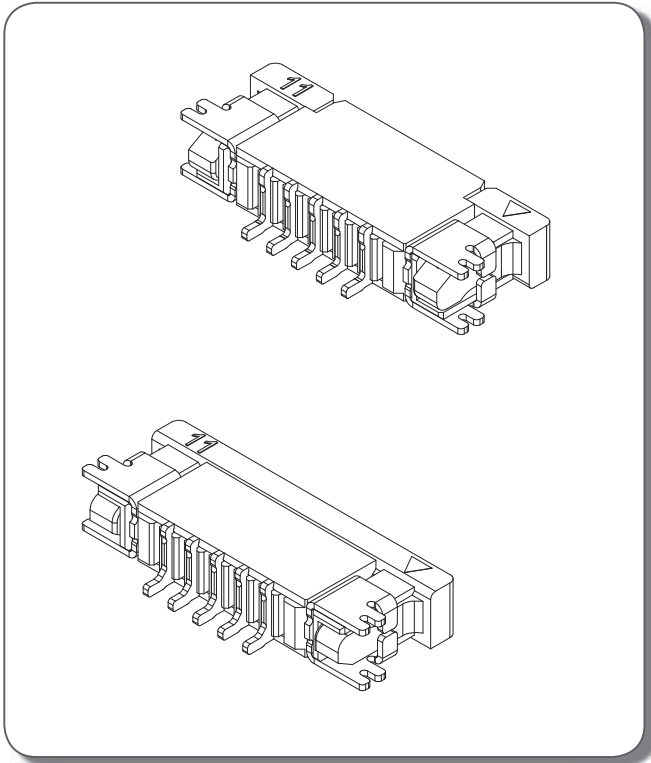


Ordering Information & Dimensions:

PART NO.	Dimensions			PART NO.	Dimensions		
	A	B	C		A	B	C
F1017WR-S-04P	3.00	7.10	5.10	F1017WR-S-19P	18.00	22.10	20.10
F1017WR-S-05P	4.00	8.10	6.10	F1017WR-S-20P	19.00	23.10	21.10
F1017WR-S-06P	5.00	9.10	7.10	F1017WR-S-21P	20.00	24.10	22.10
F1017WR-S-07P	6.00	10.10	8.10	F1017WR-S-22P	21.00	25.10	23.10
F1017WR-S-08P	7.00	11.10	9.10	F1017WR-S-23P	22.00	26.10	24.10
F1017WR-S-09P	8.00	12.10	10.10	F1017WR-S-24P	23.00	27.10	25.10
F1017WR-S-10P	9.00	13.10	11.10	F1017WR-S-25P	24.00	28.10	26.10
F1017WR-S-11P	10.00	14.10	12.10	F1017WR-S-26P	25.00	29.10	27.10
F1017WR-S-12P	11.00	15.10	13.10	F1017WR-S-27P	26.00	30.10	28.10
F1017WR-S-13P	12.00	16.10	14.10	F1017WR-S-28P	27.00	31.10	29.10
F1017WR-S-14P	13.00	17.10	15.10	F1017WR-S-29P	28.00	32.10	30.10
F1017WR-S-15P	14.00	18.10	16.10	F1017WR-S-30P	29.00	33.10	31.10
F1017WR-S-16P	15.00	19.10	17.10	F1017WR-S-31P	30.00	34.10	32.10
F1017WR-S-17P	16.00	20.10	18.10	F1017WR-S-32P	31.00	35.10	33.10
F1017WR-S-18P	17.00	21.10	19.10				

Unit:mm





Specifications

Current rating: 0.5A AC,DC
Voltage rating: 50V AC,DC
Temperature range: -25°C ~ +85°C
Contact resistance: 30mΩ Max.
Insulation resistance: 500MΩ Min.
Withstanding voltage: 500V AC/minute

A
B
C
F
ST
HRJ
DC

Ordering code

① ② ③ ④ ⑤
F1018 WR-S-05P T

- ① Series No.
- ② Connector type: WR=Right angle
- ③ Mounting type: S=SMT
- ④ No. of circuits
- ⑤ Option code:
T=Top contact style
B=Bottom contact style

F1018WR-S

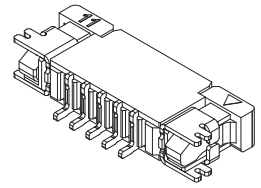
1.00mm pitch FFC/FPC 90° Connector, ZIF, SMT TYPE, Top Contact Style

Reference Informations:

*Material: Pin: Phosphor Bronze/Gold-flash
Solder Tabs: Brass/Gold-flash
Housing: Nylon 6T,UL94V-0
Actuator: Nylon 6T,UL94V-0

F1018WR-S-05P N L N G1 G T0 R
① ② ③ ④ ⑤ ⑥ ⑦

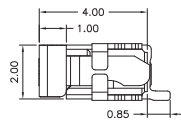
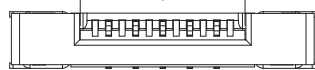
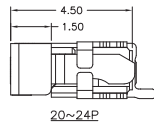
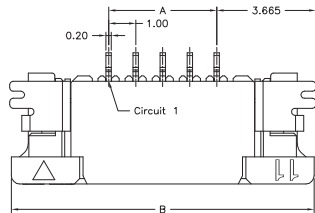
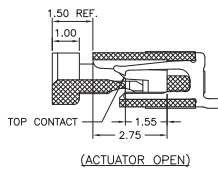
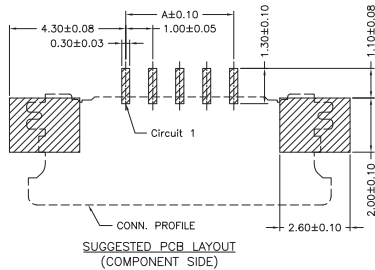
- ① N=Halogen Free
- ② Material: L=LCP
- ③ Color: N=Natural(Beige)
- ④ Plating code: G1=Gold-flash
- ⑤ Plating code: G=Gold-flash
- ⑥ Option code: T0=Top contact
- ⑦ Packing code: R=Tape & Reel



Ordering Information & Dimensions:

PART NO.	Dimensions		
	A	B	C
F1018WR-S-04PT	3.00	10.20	5.10
F1018WR-S-05PT	4.00	11.20	6.10
F1018WR-S-06PT	5.00	12.20	7.10
F1018WR-S-07PT	6.00	13.20	8.10
F1018WR-S-08PT	7.00	14.20	9.10
F1018WR-S-09PT	8.00	15.20	10.10
F1018WR-S-10PT	9.00	16.20	11.10
F1018WR-S-11PT	10.00	17.20	12.10
F1018WR-S-12PT	11.00	18.20	13.10
F1018WR-S-13PT	12.00	19.20	14.10
F1018WR-S-14PT	13.00	20.20	15.10
F1018WR-S-15PT	14.00	21.20	16.10
F1018WR-S-16PT	15.00	22.20	17.10
F1018WR-S-17PT	16.00	23.20	18.10
F1018WR-S-18PT	17.00	24.20	19.10
F1018WR-S-19PT	18.00	25.20	20.10
F1018WR-S-20PT	19.00	26.20	21.10
F1018WR-S-21PT	20.00	27.20	22.10
F1018WR-S-22PT	21.00	28.20	23.10
F1018WR-S-23PT	22.00	29.20	24.10
F1018WR-S-24PT	23.00	30.20	25.10
F1018WR-S-25PT	24.00	31.20	26.10

Unit:mm



F1018WR-S

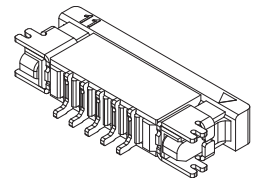
1.00mm pitch FFC/FPC 90° Connector, ZIF, SMT TYPE, Bottom Contact Style

Reference Informations:

*Material: Pin: Phosphor Bronze/Gold-flash
Solder Tabs: Brass/Gold-flash
Housing: Nylon 6T,UL94V-0
Actuator: Nylon 6T,UL94V-0

F1018WR-S-05PB N L N G1 G B0 R
① ② ③ ④ ⑤ ⑥ ⑦

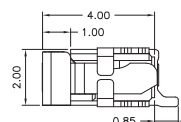
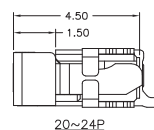
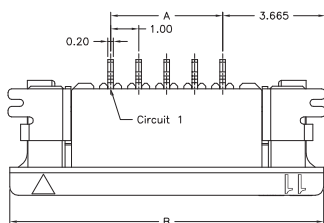
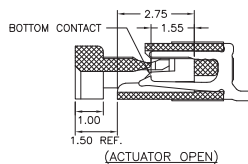
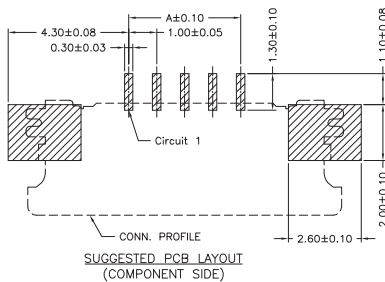
- ① N=Halogen Free
- ② Material: L=LCP
- ③ Color: N=Natural(Beige)
- ④ Plating code: G1=Gold-flash
- ⑤ Plating code: G=Gold-flash
- ⑥ Option code: B0=Bottom contact
- ⑦ Packing code: R=Tape & Reel

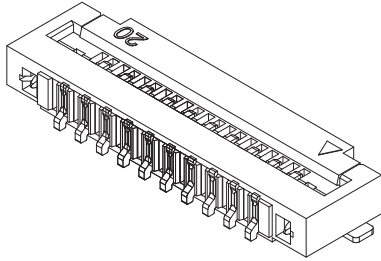


Ordering Information & Dimensions:

PART NO.	Dimensions		
	A	B	C
F1018WR-S-04PB	3.00	10.20	5.10
F1018WR-S-05PB	4.00	11.20	6.10
F1018WR-S-06PB	5.00	12.20	7.10
F1018WR-S-07PB	6.00	13.20	8.10
F1018WR-S-08PB	7.00	14.20	9.10
F1018WR-S-09PB	8.00	15.20	10.10
F1018WR-S-10PB	9.00	16.20	11.10
F1018WR-S-11PB	10.00	17.20	12.10
F1018WR-S-12PB	11.00	18.20	13.10
F1018WR-S-13PB	12.00	19.20	14.10
F1018WR-S-14PB	13.00	20.20	15.10
F1018WR-S-15PB	14.00	21.20	16.10
F1018WR-S-16PB	15.00	22.20	17.10
F1018WR-S-17PB	16.00	23.20	18.10
F1018WR-S-18PB	17.00	24.20	19.10
F1018WR-S-19PB	18.00	25.20	20.10
F1018WR-S-20PB	19.00	26.20	21.10
F1018WR-S-21PB	20.00	27.20	22.10
F1018WR-S-22PB	21.00	28.20	23.10
F1018WR-S-23PB	22.00	29.20	24.10
F1018WR-S-24PB	23.00	30.20	25.10
F1018WR-S-25PB	24.00	31.20	26.10

Unit:mm





Specifications

Current rating: 0.5A AC,DC
Voltage rating: 50V AC,DC
Temperature range: -25°C ~ +85°C
Contact resistance: 30mΩ Max.
Insulation resistance: 500MΩ Min.
Withstanding voltage: 500V AC/minute

A
B
C
F
ST
HRJ
DC

Ordering code

① ② ③ ④ ⑤
F1019 WR-S-XP D01

- ① Series No.
- ② Connector type: WR=Right angle
- ③ Mounting type: S=SMT
- ④ No. of circuits
- ⑤ Option code:
D01=Gold-flash, Taping reel

F1019WR-S

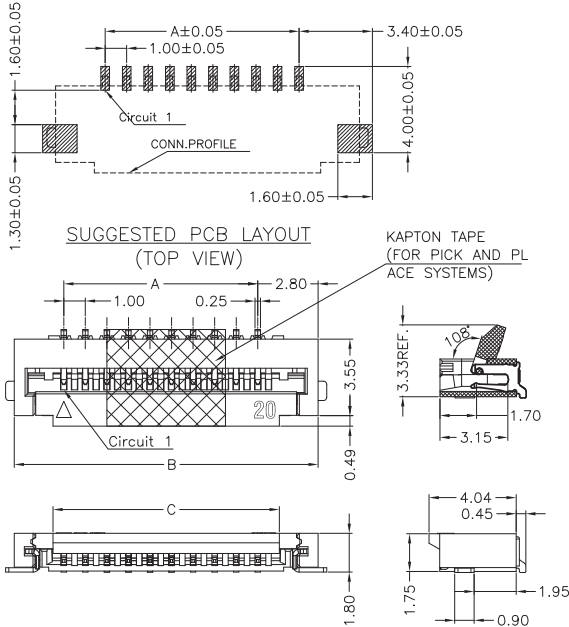
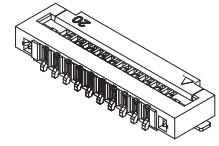
1.00mm pitch FFC/FPC Connector 90°, SMT TYPE, ZIF
Bottom Contact Style

Reference Informations:

- *Material: Pin: Phosphor Bronze/Gold-flash
- Solder Tabs: Brass/Tin-plated
- Housing: LCP,UL94V-0
- Cover: LCP,UL94V-0

F1019WR-S-20P N L N G1 X 00 L
① ② ③ ④ ⑤ ⑥ ⑦

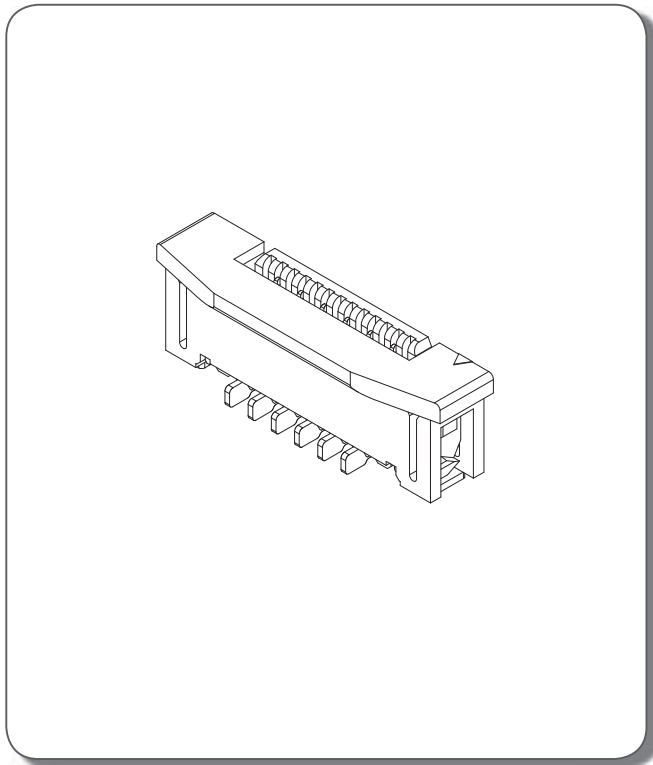
- ① N=Halogen Free
- ② Material: L=LCP
- ③ Color: N=Natural(Beige)
- ④ Option code: G1=Gold-plated
- ⑤ Option code: T=Tin-plated, G=Gold-flash
- ⑥ Option code: 00=Standard
- ⑦ Packing code: L=Tape & Reel(with Mylar)



Ordering Information & Dimensions:

PART NO.	Dimensions			PART NO.	Dimensions		
	A	B	C		A	B	C
F1019WR-S-04P	3.00	8.10	4.57	F1019WR-S-23P	22.00	27.10	23.57
F1019WR-S-05P	4.00	9.10	5.57	F1019WR-S-24P	23.00	28.10	24.57
F1019WR-S-06P	5.00	10.10	6.57	F1019WR-S-25P	24.00	29.10	25.57
F1019WR-S-07P	6.00	11.10	7.57	F1019WR-S-26P	25.00	30.10	26.57
F1019WR-S-08P	7.00	12.10	8.57	F1019WR-S-27P	26.00	31.10	27.57
F1019WR-S-09P	8.00	13.10	9.57	F1019WR-S-28P	27.00	32.10	28.57
F1019WR-S-10P	9.00	14.10	10.57	F1019WR-S-29P	28.00	33.10	29.57
F1019WR-S-11P	10.00	15.10	11.57	F1019WR-S-30P	29.00	34.10	30.57
F1019WR-S-12P	11.00	16.10	12.57	F1019WR-S-31P	30.00	35.10	31.57
F1019WR-S-13P	12.00	17.10	13.57	F1019WR-S-32P	31.00	36.10	32.57
F1019WR-S-14P	13.00	18.10	14.57	F1019WR-S-33P	32.00	37.10	33.57
F1019WR-S-15P	14.00	19.10	15.57	F1019WR-S-34P	33.00	38.10	34.57
F1019WR-S-16P	15.00	20.10	16.57	F1019WR-S-35P	34.00	39.10	35.57
F1019WR-S-17P	16.00	21.10	17.57	F1019WR-S-36P	35.00	40.10	36.57
F1019WR-S-18P	17.00	22.10	18.57	F1019WR-S-37P	36.00	41.10	37.57
F1019WR-S-19P	18.00	23.10	19.57	F1019WR-S-38P	37.00	42.10	38.57
F1019WR-S-20P	19.00	24.10	20.57	F1019WR-S-39P	38.00	43.10	39.57
F1019WR-S-21P	20.00	25.10	21.57	F1019WR-S-40P	39.00	44.10	40.57
F1019WR-S-22P	21.00	26.10	22.57				

Unit:mm



Specifications

Current rating: 0.5A AC,DC
Voltage rating: 50V AC,DC
Temperature range: -25°C ~ +85°C
Contact resistance: 30mΩ Max.
Insulation resistance: 500MΩ Min.
Withstanding voltage: 500V AC/minute

A
B
C
F
ST
HRJ
DC

Ordering code

① ② ③ ④ ⑤
F1022 WV A-S-XP

- ① Series No.
- ② Connector type: WV=Vertical
- ③ Blank=With pick up kapton tape
A=Without pick up kapton tape
- ④ Mounting type: S=SMT
- ⑤ Option code:

F1022WVA-S

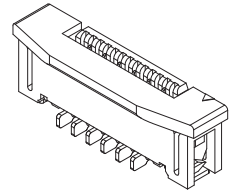
— 1.00mm pitch FFC/FPC Connector, 180° SMT TYPE, ZIF —

Reference Informations:

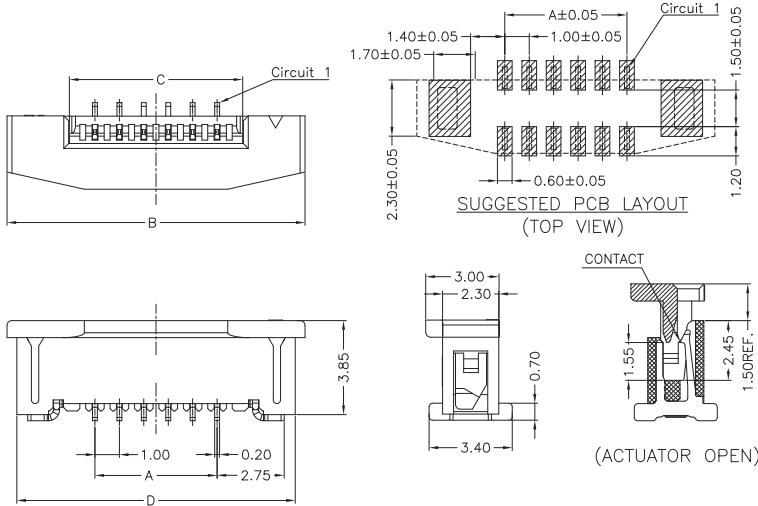
- *Material: Pin: Phosphor Bronze/Matte Tin-plated
- Solder Tabs: Brass/Matte Tin-plated
- Housing: LCP,UL94V-0
- Cover: Nylon 6T,UL94V-0

HP F1022WVA-S-06P N L N T1 X 00 R
 ① ② ③ ④ ⑤ ⑥ ⑦

- ① N=Halogen Free
- ② Material: L=LCP
- ③ Color: N=Natural(Beige)
- ④ Option code: T1=Matte Tin-plated
- ⑤ Option code: T=Tin-plated, G=Gold-flash
- ⑥ Option code: 00=Standard
- ⑦ Packing code: R=Tape & Reel(without Cap or Mylar)



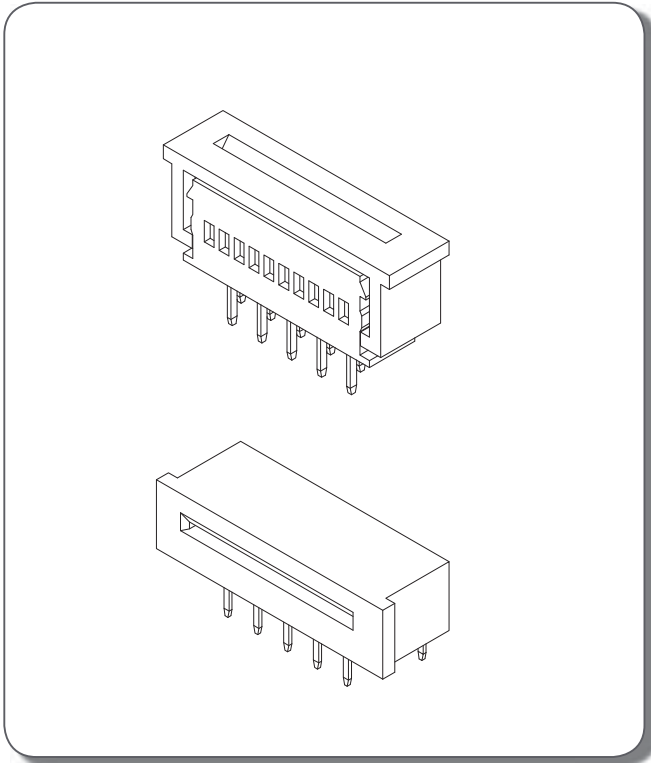
A
B
C
F
ST
HRJ
DC



Ordering Information & Dimensions:

PART NO.	Dimensions			
	A	B	C	D
F1022WVA-S-04P	3.00	10.20	5.10	9.40
F1022WVA-S-05P	4.00	11.20	6.10	10.40
F1022WVA-S-06P	5.00	12.20	7.10	11.40
F1022WVA-S-07P	6.00	13.20	8.10	12.40
F1022WVA-S-08P	7.00	14.20	9.10	13.40
F1022WVA-S-09P	8.00	15.20	10.10	14.40
F1022WVA-S-10P	9.00	16.20	11.10	15.40
F1022WVA-S-11P	10.00	17.20	12.10	16.40
F1022WVA-S-12P	11.00	18.20	13.10	17.40
F1022WVA-S-13P	12.00	19.20	14.10	18.40
F1022WVA-S-14P	13.00	20.20	15.10	19.40
F1022WVA-S-15P	14.00	21.20	16.10	20.40
F1022WVA-S-16P	15.00	22.20	17.10	21.40
F1022WVA-S-17P	16.00	23.20	18.10	22.40
F1022WVA-S-18P	17.00	24.20	19.10	23.40
F1022WVA-S-19P	18.00	25.20	20.10	24.40
F1022WVA-S-20P	19.00	26.20	21.10	25.40
F1022WVA-S-21P	20.00	27.20	22.10	26.40
F1022WVA-S-22P	21.00	28.20	23.10	27.40

Unit:mm



Specifications

Current rating: 1A AC,DC
Voltage rating: 200V AC,DC
Temperature range: -25°C ~ +85°C
Contact resistance: 20mΩ Max.
Insulation resistance: 500MΩ Min.
Withstanding voltage: 500V AC/minute

A
B
C
F
ST
HRJ
DC

Ordering code

① F1257 ② WV ③ 05P

- ① Series No.
- ② Connector type: WV=Vertical
- ③ No. of circuits

① F1257 ② WR ③ 05P ④ T

- ① Series No.
- ② Connector type: WR=Right angle
- ③ No. of circuits
- ④ Option code:
T=Top contact style

*

F1257 SERIES

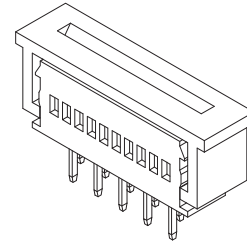
1.25mm pitch FFC/FPC connector

F1257WV

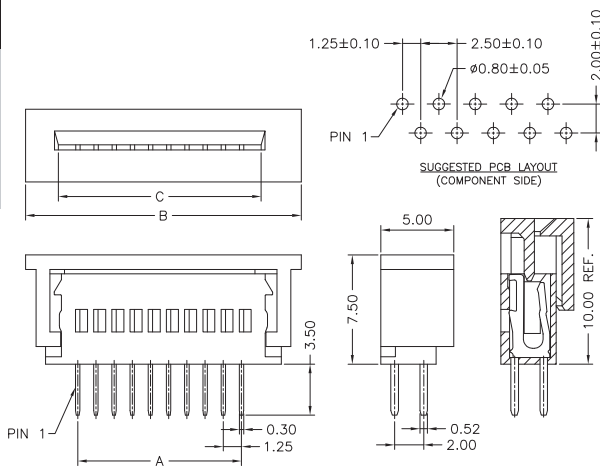
1.25mm pitch FFC/FPC 180° Connector, ZIF

Reference Informations:

*Material: Pin: Phosphor Bronze/Tin-plated
Housing: PBT,UL94V-0
Actuator: PBT,UL94V-0



A
B
C
F
ST
HRJ
DC



Ordering Information & Dimensions:

PART NO.	Dimensions			PART NO.	Dimensions		
	A	B	C		A	B	C
F1257WV-03P	2.50	10.20	5.20	F1257WV-18P	21.25	28.95	23.95
F1257WV-04P	3.75	11.45	6.45	F1257WV-19P	22.50	30.20	25.20
F1257WV-05P	5.00	12.70	7.70	F1257WV-20P	23.75	31.45	26.45
F1257WV-06P	6.25	13.95	8.95	F1257WV-21P	25.00	32.70	27.70
F1257WV-07P	7.50	15.20	10.20	F1257WV-22P	26.25	33.95	28.95
F1257WV-08P	8.75	16.45	11.45	F1257WV-23P	27.50	35.20	30.20
F1257WV-09P	10.00	17.70	12.70	F1257WV-24P	28.75	36.45	31.45
F1257WV-10P	11.25	18.95	13.95	F1257WV-25P	30.00	37.70	32.70
F1257WV-11P	12.50	20.20	15.20	F1257WV-26P	31.25	38.95	33.95
F1257WV-12P	13.75	21.45	16.45	F1257WV-27P	32.50	40.20	35.20
F1257WV-13P	15.00	22.70	17.70	F1257WV-28P	33.75	41.45	36.45
F1257WV-14P	16.25	23.95	18.95	F1257WV-29P	35.00	42.70	37.70
F1257WV-15P	17.50	25.20	20.20	F1257WV-30P	36.25	43.95	38.95
F1257WV-16P	18.75	26.45	21.45	F1257WV-31P	37.50	45.20	40.20
F1257WV-17P	20.00	27.70	22.70	F1257WV-32P	38.75	46.45	41.45

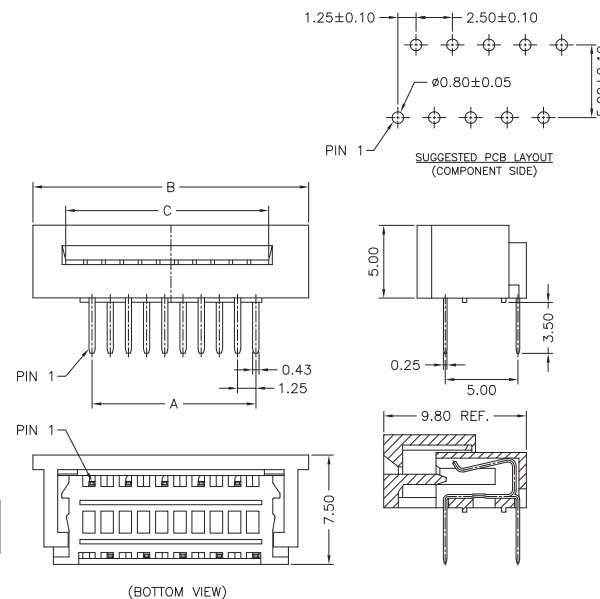
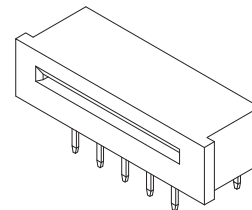
Unit:mm

F1257WR

1.25mm pitch FFC/FPC 90° Connector, ZIF, Top Contact Style

Reference Informations:

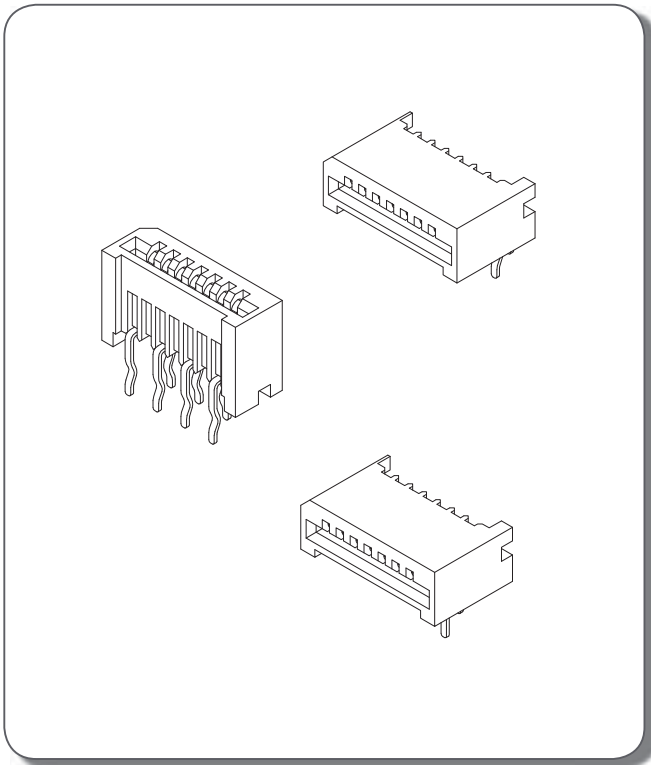
*Material: Pin: Phosphor Bronze/Tin-plated
Housing: PBT,UL94V-0
Actuator: PBT,UL94V-0



Ordering Information & Dimensions:

PART NO.	Dimensions			PART NO.	Dimensions		
	A	B	C		A	B	C
F1257WR-03PT	2.50	10.20	5.20	F1257WR-18PT	21.25	28.95	23.95
F1257WR-04PT	3.75	11.45	6.45	F1257WR-19PT	22.50	30.20	25.20
F1257WR-05PT	5.00	12.70	7.70	F1257WR-20PT	23.75	31.45	26.45
F1257WR-06PT	6.25	13.95	8.95	F1257WR-21PT	25.00	32.70	27.70
F1257WR-07PT	7.50	15.20	10.20	F1257WR-22PT	26.25	33.95	28.95
F1257WR-08PT	8.75	16.45	11.45	F1257WR-23PT	27.50	35.20	30.20
F1257WR-09PT	10.00	17.70	12.70	F1257WR-24PT	28.75	36.45	31.45
F1257WR-10PT	11.25	18.95	13.95	F1257WR-25PT	30.00	37.70	32.70
F1257WR-11PT	12.50	20.20	15.20	F1257WR-26PT	31.25	38.95	33.95
F1257WR-12PT	13.75	21.45	16.45	F1257WR-27PT	32.50	40.20	35.20
F1257WR-13PT	15.00	22.70	17.70	F1257WR-28PT	33.75	41.45	36.45
F1257WR-14PT	16.25	23.95	18.95	F1257WR-29PT	35.00	42.70	37.70
F1257WR-15PT	17.50	25.20	20.20	F1257WR-30PT	36.25	43.95	38.95
F1257WR-16PT	18.75	26.45	21.45	F1257WR-31PT	37.50	45.20	40.20
F1257WR-17PT	20.00	27.70	22.70	F1257WR-32PT	38.75	46.45	41.45

Unit:mm



Specifications

Current rating: 1A AC,DC
Voltage rating: 200V AC,DC
Temperature range: -25°C ~ +85°C
Contact resistance: 20mΩ Max.
Insulation resistance: 500MΩ Min.
Withstanding voltage: 500V AC/minute

A
B
C
F
ST
HRJ
DC

Ordering code

① F1258 ② WV ③ 05P

- ① Series No.
- ② Connector type: WV=Vertical
- ③ No. of circuits

① F1258 ② WR ③ A ④ 05P ⑤ T

- ① Series No.
- ② Connector type: WR=Right angle
- ③ Blank=Normal type
A=A type
- ④ No. of circuits
- ⑤ Option code:
T=Top contact style

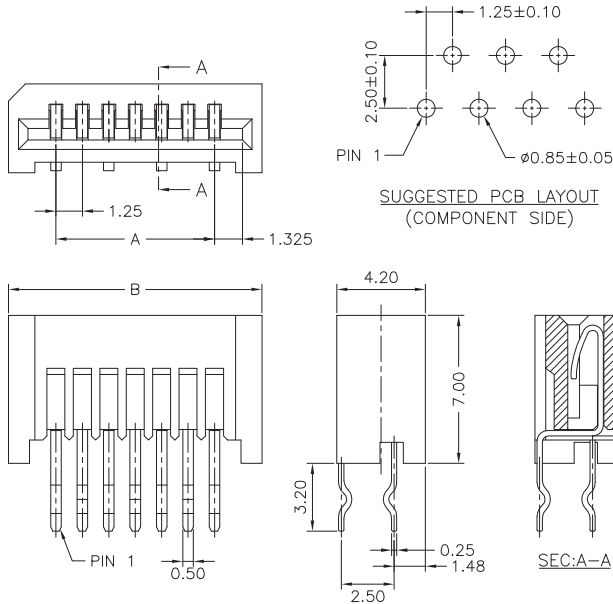
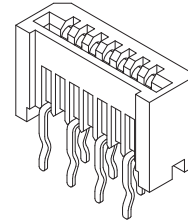
*

F1258WV

1.25mm pitch FFC/FPC 180° Connector, NON-ZIF

Reference Informations:

*Material: Pin: Phosphor Bronze/Tin-plated
Wafer: Nylon 9T,UL94V-0



Ordering Information & Dimensions:

PART NO.	Dimensions		PART NO.	Dimensions	
	A	B		A	B
F1258WV-04P	3.75	8.25	F1258WV-20P	23.75	28.25
F1258WV-05P	5.00	9.50	F1258WV-21P	25.00	29.50
F1258WV-06P	6.25	10.75	F1258WV-22P	26.25	30.75
F1258WV-07P	7.50	12.00	F1258WV-23P	27.50	32.00
F1258WV-08P	8.75	13.25	F1258WV-24P	28.75	33.25
F1258WV-09P	10.00	14.50	F1258WV-25P	30.00	34.50
F1258WV-10P	11.25	15.75	F1258WV-26P	31.25	35.75
F1258WV-11P	12.50	17.00	F1258WV-27P	32.50	37.00
F1258WV-12P	13.75	18.25	F1258WV-28P	33.75	38.25
F1258WV-13P	15.00	19.50	F1258WV-29P	35.00	39.50
F1258WV-14P	16.25	20.75	F1258WV-30P	36.25	40.75
F1258WV-15P	17.50	22.00	F1258WV-31P	37.50	42.00
F1258WV-16P	18.75	23.25	F1258WV-32P	38.75	43.25
F1258WV-17P	20.00	24.50	F1258WV-33P	40.00	44.50
F1258WV-18P	21.25	25.75	F1258WV-34P	41.25	45.75
F1258WV-19P	22.50	27.00			

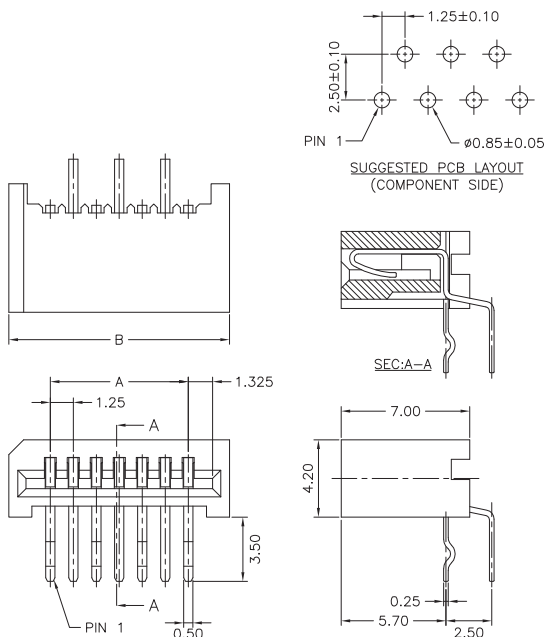
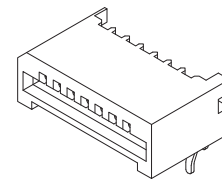
Unit:mm

F1258WR

1.25mm pitch FFC/FPC 90° Connector, NON-ZIF, Top Contact Style

Reference Informations:

*Material: Pin: Phosphor Bronze/Tin-plated
Wafer: Nylon 9T,UL94V-0



Ordering Information & Dimensions:

PART NO.	Dimensions		PART NO.	Dimensions	
	A	B		A	B
F1258WR-04PT	3.75	8.25	F1258WR-20PT	23.75	28.25
F1258WR-05PT	5.00	9.50	F1258WR-21PT	25.00	29.50
F1258WR-06PT	6.25	10.75	F1258WR-22PT	26.25	30.75
F1258WR-07PT	7.50	12.00	F1258WR-23PT	27.50	32.00
F1258WR-08PT	8.75	13.25	F1258WR-24PT	28.75	33.25
F1258WR-09PT	10.00	14.50	F1258WR-25PT	30.00	34.50
F1258WR-10PT	11.25	15.75	F1258WR-26PT	31.25	35.75
F1258WR-11PT	12.50	17.00	F1258WR-27PT	32.50	37.00
F1258WR-12PT	13.75	18.25	F1258WR-28PT	33.75	38.25
F1258WR-13PT	15.00	19.50	F1258WR-29PT	35.00	39.50
F1258WR-14PT	16.25	20.75	F1258WR-30PT	36.25	40.75
F1258WR-15PT	17.50	22.00	F1258WR-31PT	37.50	42.00
F1258WR-16PT	18.75	23.25	F1258WR-32PT	38.75	43.25
F1258WR-17PT	20.00	24.50	F1258WR-33PT	40.00	44.50
F1258WR-18PT	21.25	25.75	F1258WR-34PT	41.25	45.75
F1258WR-19PT	22.50	27.00			

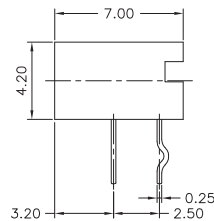
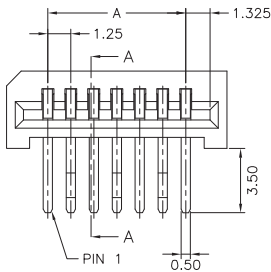
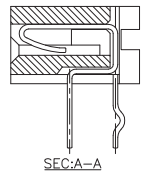
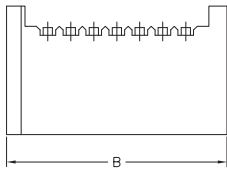
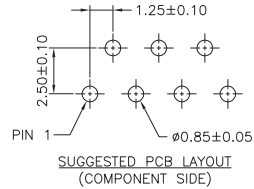
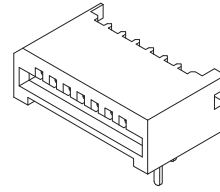
Unit:mm

F1258WRA

1.25mm pitch FFC/FPC 90° Connector, NON-ZIF, _____
Top Contact Style

Reference Informations:

*Material: Pin: Phosphor Bronze/Tin-plated
Wafer: Nylon 9T,UL94V-0



Ordering Information & Dimensions:

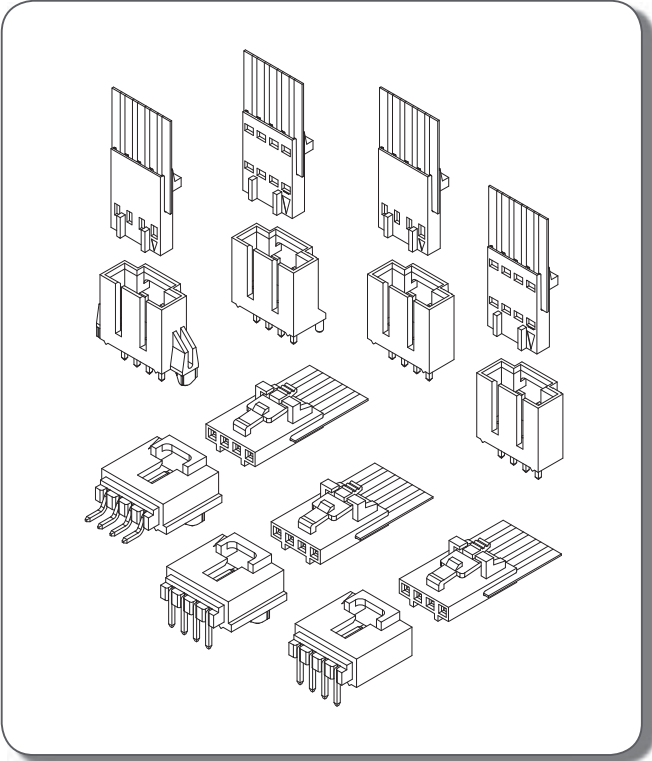
PART NO.	Dimensions		PART NO.	Dimensions	
	A	B		A	B
F1258WRA-04PT	3.75	8.25	F1258WRA-20PT	23.75	28.25
F1258WRA-05PT	5.00	9.50	F1258WRA-21PT	25.00	29.50
F1258WRA-06PT	6.25	10.75	F1258WRA-22PT	26.25	30.75
F1258WRA-07PT	7.50	12.00	F1258WRA-23PT	27.50	32.00
F1258WRA-08PT	8.75	13.25	F1258WRA-24PT	28.75	33.25
F1258WRA-09PT	10.00	14.50	F1258WRA-25PT	30.00	34.50
F1258WRA-10PT	11.25	15.75	F1258WRA-26PT	31.25	35.75
F1258WRA-11PT	12.50	17.00	F1258WRA-27PT	32.50	37.00
F1258WRA-12PT	13.75	18.25	F1258WRA-28PT	33.75	38.25
F1258WRA-13PT	15.00	19.50	F1258WRA-29PT	35.00	39.50
F1258WRA-14PT	16.25	20.75	F1258WRA-30PT	36.25	40.75
F1258WRA-15PT	17.50	22.00	F1258WRA-31PT	37.50	42.00
F1258WRA-16PT	18.75	23.25	F1258WRA-32PT	38.75	43.25
F1258WRA-17PT	20.00	24.50	F1258WRA-33PT	40.00	44.50
F1258WRA-18PT	21.25	25.75	F1258WRA-34PT	41.25	45.75
F1258WRA-19PT	22.50	27.00			

Unit:mm

A
B
C
F
ST
HRJ
DC



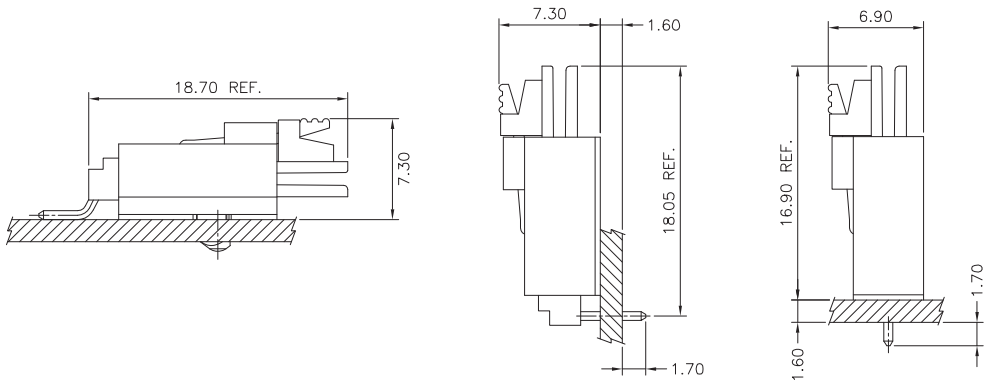
A
B
C
F
ST
HRJ
DC



Specifications

- Current rating: 2A AC,DC
- Voltage rating: 250V AC,DC
- Temperature range: -25°C ~ +85°C
- Contact resistance: 10mΩ Max.
- Insulation resistance: 1000MΩ Min.
- Withstanding voltage: 500V AC/minute

Assembly layout



Ordering code

① ② ③ ④ ⑤
F2544 - T P E - A

- ① Series No.
- ② Plating code: T= Tin-plated
- ③ Material: P= Phosphor bronze
- ④ E= Stamping before plating
- ⑤ Option code: -A=A type, -B=B type

① ② ③ ④
F2544 H - 05P - LA

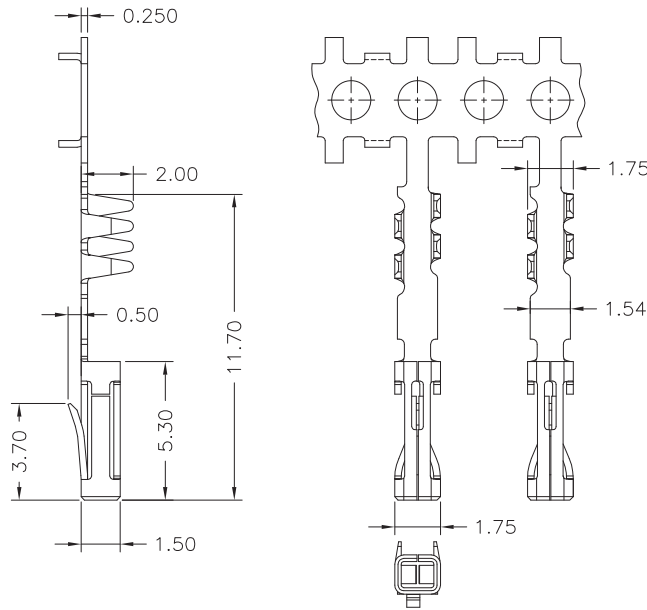
- ① Series No.
- ② H= Housing
- ③ No. of circuits
- ④ Option code:
 - A=A type, Without lock
 - B=B type, Without lock
 - LA=A type, With lock
 - LB=B type, With lock



F2544-T — 2.54mm pitch FFC Terminal - B TYPE

Reference Informations:

*Used in F2544 series Housing - B TYPE



A
B
C
F
ST
HRJ
DC

Ordering Information & Specifications:

Unit:mm

Part No.	Material	Finish	Qty/reel
F2544-TPE-B	Phosphor Bronze	Tin-plated	10,000pcs

Note:E-Stamping before Tin-plated

F2544H — 2.54mm pitch FFC Connector Without Lock - A TYPE

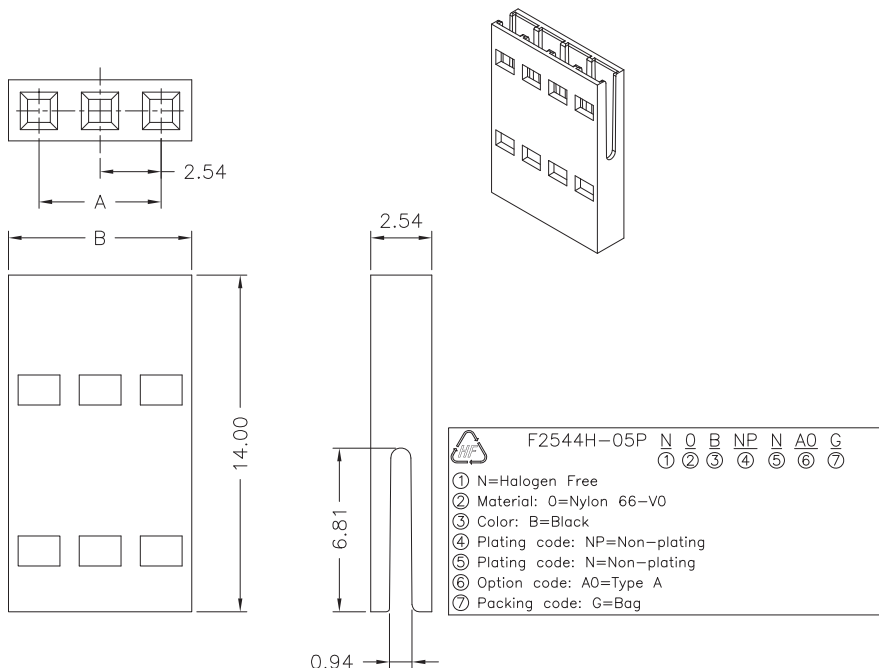
Reference Informations:

*Material: Nylon 66,UL94V-0

*Suitable F2544 series Terminal - A TYPE

*Mates with A2541 series Wafer

Ordering Information & Dimensions:



PART NO.		Dimensions	
		A	B
F2544H-02P-A		2.54	5.08
F2544H-03P-A		5.08	7.62
F2544H-04P-A		7.62	10.16
F2544H-05P-A		10.16	12.70
F2544H-06P-A		12.70	15.24
F2544H-07P-A		15.24	17.78
F2544H-08P-A		17.78	20.32
F2544H-09P-A		20.32	22.86
F2544H-10P-A		22.86	25.40
F2544H-11P-A		25.40	27.94
F2544H-12P-A		27.94	30.48
F2544H-13P-A		30.48	33.02
F2544H-14P-A		33.02	35.56
F2544H-15P-A		35.56	38.10
F2544H-16P-A		38.10	40.64
F2544H-17P-A		40.64	43.18
F2544H-18P-A		43.18	45.72
F2544H-19P-A		45.72	48.26
F2544H-20P-A		48.26	50.80
F2544H-21P-A		50.80	53.34
F2544H-22P-A		53.34	55.88
F2544H-23P-A		55.88	58.42
F2544H-24P-A		58.42	60.96
F2544H-25P-A		60.96	63.50

PART NO.		Dimensions	
		A	B
F2544H-02P-A		2.54	5.08
F2544H-03P-A		5.08	7.62
F2544H-04P-A		7.62	10.16
F2544H-05P-A		10.16	12.70
F2544H-06P-A		12.70	15.24
F2544H-07P-A		15.24	17.78
F2544H-08P-A		17.78	20.32
F2544H-09P-A		20.32	22.86
F2544H-10P-A		22.86	25.40
F2544H-11P-A		25.40	27.94
F2544H-12P-A		27.94	30.48
F2544H-13P-A		30.48	33.02
F2544H-14P-A		33.02	35.56
F2544H-15P-A		35.56	38.10
F2544H-16P-A		38.10	40.64
F2544H-17P-A		40.64	43.18
F2544H-18P-A		43.18	45.72
F2544H-19P-A		45.72	48.26
F2544H-20P-A		48.26	50.80
F2544H-21P-A		50.80	53.34
F2544H-22P-A		53.34	55.88
F2544H-23P-A		55.88	58.42
F2544H-24P-A		58.42	60.96
F2544H-25P-A		60.96	63.50

F2544H-05P N 0 B NP N A0 G
 ① ② ③ ④ ⑤ ⑥ ⑦
 ① N=Halogen Free
 ② Material: 0=Nylon 66-V0
 ③ Color: B=Black
 ④ Plating code: NP=Non-plating
 ⑤ Plating code: N=Non-plating
 ⑥ Option code: A0=Type A
 ⑦ Packing code: G=Bag

Unit:mm

*

F2544 SERIES

2.54mm pitch FFC/FPC connector

F2544H

— 2.54mm pitch FFC Connector Without Lock - B TYPE —

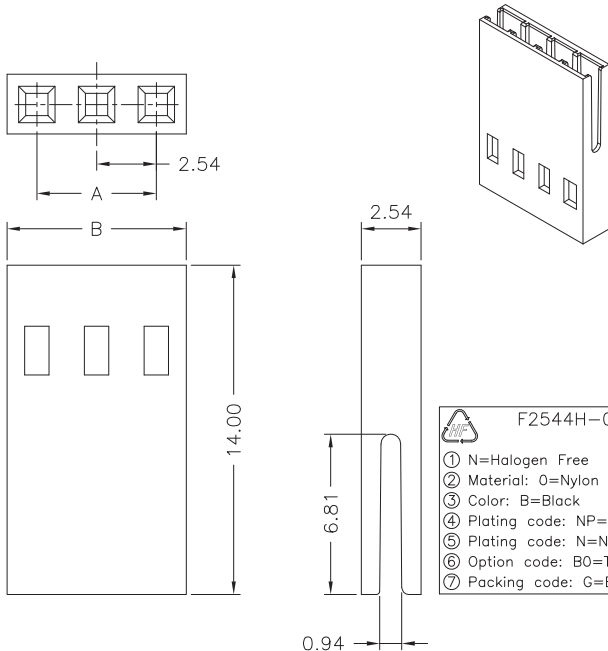
Reference Informations:

- *Material: Nylon 66,UL94V-0
- *Suitable F2544 series Terminal - B TYPE
- *Mates with A2541 series Wafer

Ordering Information & Dimensions:

PART NO.	Dimensions	
	A	B
F2544H-02P-B	2.54	5.08
F2544H-03P-B	5.08	7.62
F2544H-04P-B	7.62	10.16
F2544H-05P-B	10.16	12.70
F2544H-06P-B	12.70	15.24
F2544H-07P-B	15.24	17.78
F2544H-08P-B	17.78	20.32
F2544H-09P-B	20.32	22.86
F2544H-10P-B	22.86	25.40
F2544H-11P-B	25.40	27.94
F2544H-12P-B	27.94	30.48
F2544H-13P-B	30.48	33.02
F2544H-14P-B	33.02	35.56
F2544H-15P-B	35.56	38.10
F2544H-16P-B	38.10	40.64
F2544H-17P-B	40.64	43.18
F2544H-18P-B	43.18	45.72
F2544H-19P-B	45.72	48.26
F2544H-20P-B	48.26	50.80
F2544H-21P-B	50.80	53.34
F2544H-22P-B	53.34	55.88
F2544H-23P-B	55.88	58.42
F2544H-24P-B	58.42	60.96
F2544H-25P-B	60.96	63.50

Unit:mm



F2544H-05P		N	0	B	NP	N	B0	G
		①	②	③	④	⑤	⑥	⑦
①	N=Halogen Free							
②	Material: 0=Nylon 66-V0							
③	Color: B=Black							
④	Plating code: NP=Non-plating							
⑤	Plating code: N=Non-plating							
⑥	Option code: B0=Type B							
⑦	Packing code: G=Bag							

F2544H

— 2.54mm pitch FFC Connector With Lock - A TYPE —

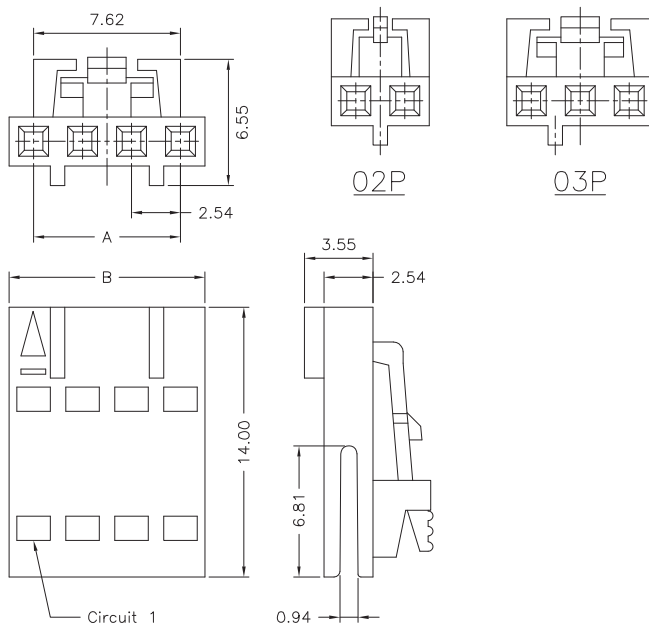
Reference Informations:

- *Material: PBT30%GF,UL94V-0
- *Suitable F2544 series Terminal - A TYPE
- *Mates with A2541 series Wafer

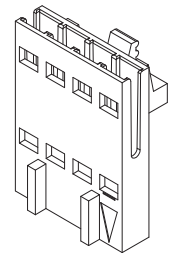
Ordering Information & Dimensions:

PART NO.	Dimensions	
	A	B
F2544H-02P-LA	2.54	5.08
F2544H-03P-LA	5.08	7.62
F2544H-04P-LA	7.62	10.16
F2544H-05P-LA	10.16	12.70
F2544H-06P-LA	12.70	15.24
F2544H-07P-LA	15.24	17.78
F2544H-08P-LA	17.78	20.32
F2544H-09P-LA	20.32	22.86
F2544H-10P-LA	22.86	25.40
F2544H-11P-LA	25.40	27.94
F2544H-12P-LA	27.94	30.48
F2544H-14P-LA	33.02	35.56

Unit:mm



F2544H-05P		N	0	B	NP	N	LA	G
		①	②	③	④	⑤	⑥	⑦
①	N=Halogen Free							
②	Material: 0=Nylon 66-V0							
③	Color: B=Black							
④	Plating code: NP=Non-plating							
⑤	Plating code: N=Non-plating							
⑥	Option code: LA=Type A with lock							
⑦	Packing code: G=Bag							



F2544H

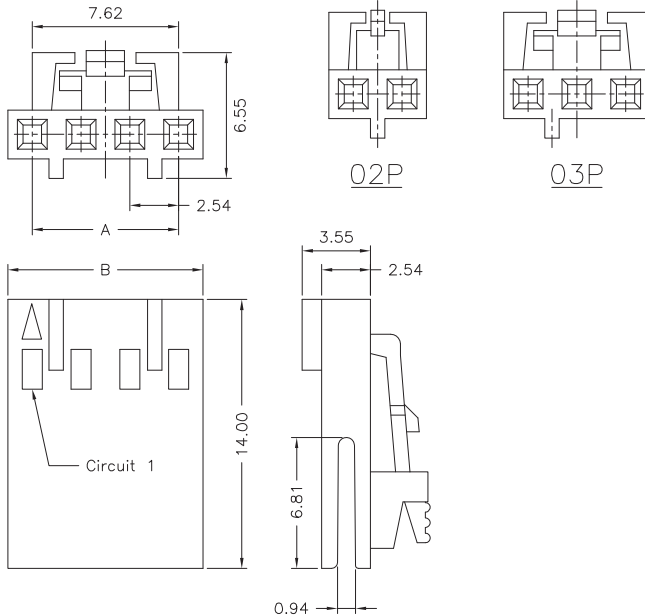
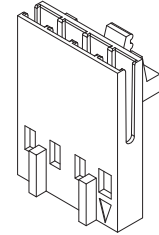
— 2.54mm pitch FFC Connector With Lock - B TYPE —

Reference Informations:

- *Material: PBT30%GF,UL94V-0
- *Suitable F2544 series Terminal - B TYPE
- *Mates with A2541 series Wafer

	F2544H-05P	N	0	B	NP	N	LB	G
		①	②	③	④	⑤	⑥	⑦

① N=Halogen Free
 ② Material: 0=Nylon 66-V0
 ③ Color: B=Black
 ④ Plating code: NP=Non-plating
 ⑤ Plating code: N=Non-plating
 ⑥ Option code: LB=Type B with lock
 ⑦ Packing code: G=Bag



Ordering Information & Dimensions:

PART NO.	Dimensions	
	A	B
F2544H-02P-LB	2.54	5.08
F2544H-03P-LB	5.08	7.62
F2544H-04P-LB	7.62	10.16
F2544H-05P-LB	10.16	12.70
F2544H-06P-LB	12.70	15.24
F2544H-07P-LB	15.24	17.78
F2544H-08P-LB	17.78	20.32
F2544H-09P-LB	20.32	22.86
F2544H-10P-LB	22.86	25.40
F2544H-11P-LB	25.40	27.94
F2544H-12P-LB	27.94	30.48
F2544H-14P-LB	33.02	35.56

Unit:mm

A
B
C
F
ST
HRJ
DC

